

PLEASE CHECK WWW.MOLEX.COM FOR LATEST PART INFORMATION

Part Number: **0743201003**
Status: **Active**
Description: MicroCross™ DVI-I Digital/Analog Visual Interface, PCB Receptacle, Through Hole, Right Angle, 3.12mm (.123") P.C. Tail Length, 29 Circuits, Lead Free

Documents:

[Drawing \(PDF\)](#) [RoHS Certificate of Compliance \(PDF\)](#)
[Product Specification PS-74320-001 \(PDF\)](#)

Agency Certification

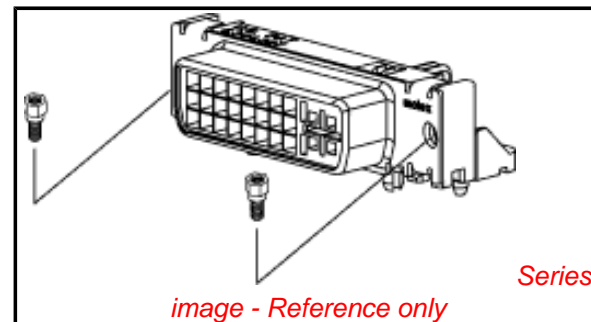
UL E29179

General

Product Family I/O Connectors
 Series 74320
 Application Wire-to-Board
 Comments DDWG (Digital Display Working Group) Standard
 Component Type Receptacle
 Product Name MicroCross™DVI
 Type N/A

Physical

Boot Color N/A
 Circuits (Loaded) 29
 Circuits (maximum) 29
 Color - Resin Natural
 Durability (mating cycles max) 100
 Flammability 94V-0
 Gender Receptacle
 Keying to Mating Part Yes
 Lock to Mating Part Yes
 Material - Metal Copper Alloy
 Material - Plating Mating Gold
 Material - Plating Termination Tin
 Number of Rows 3
 Orientation Right Angle
 PC Tail Length (in) 0.123 In
 PC Tail Length (mm) 3.12 mm
 PCB Locator Yes
 PCB Retention Yes
 Packaging Type Tray
 Panel Mount Yes
 Pitch - Mating Interface (in) 0.075 In
 Pitch - Mating Interface (mm) 1.91 mm
 Pitch - Term. Interface (in) 0.075 In
 Pitch - Term. Interface (mm) 1.91 mm
 Plating min: Mating (µin) 30
 Plating min: Mating (µm) 0.76
 Plating min: Termination (µin) 100
 Plating min: Termination (µm) 2.50
 Polarized to Mating Part Yes
 Polarized to PCB Yes
 Ports 1
 Surface Mount Compatible (SMC) No
 Temperature Range - Operating -20°C to +85°C
 Termination Interface: Style Through Hole



EU RoHS

**ELV and RoHS
Compliant**

REACH SVHC

Not Reviewed

Halogen-Free

Status

Not Reviewed

**Need more information on product
environmental compliance?**

Email productcompliance@molex.com
 For a multiple part number RoHS Certificate of Compliance, [click here](#)

Please visit the [Contact Us](#) section for any non-product compliance questions.

China RoHS



Search Parts in this Series

74320Series

Mates With

88744 , 74323

Use With

Hex Screw Kit 71781-0001 or 71781-0002

Waterproof / Dustproof	No
Wire Size AWG	N/A
Electrical	
Current - Maximum per Contact	3A
Grounding to Panel	Yes
Shield Type	Full Shield
Shielded	Yes
Voltage - Maximum	40V AC (RMS)

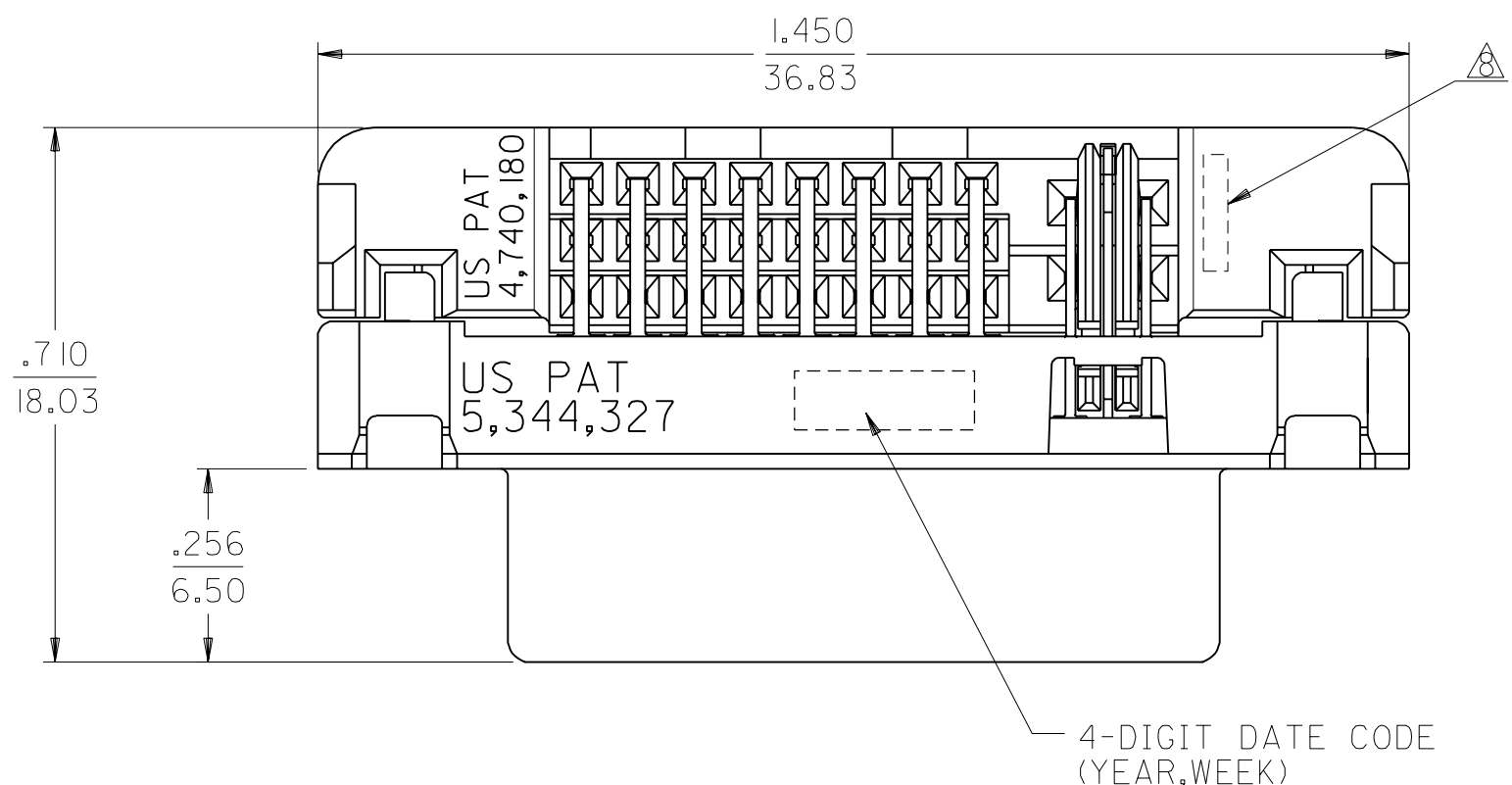
Material Info

Reference - Drawing Numbers

Product Specification	PS-74320-001
Sales Drawing	SD-74320-001

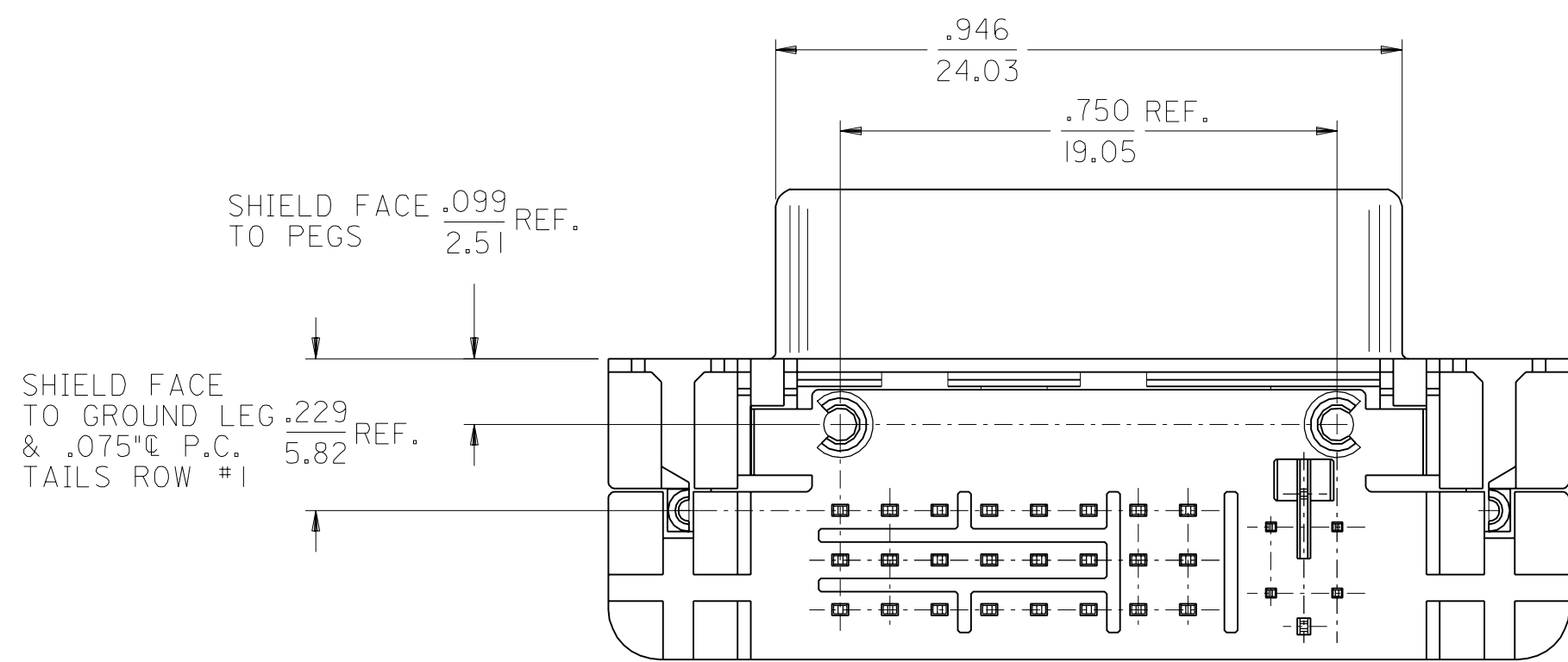
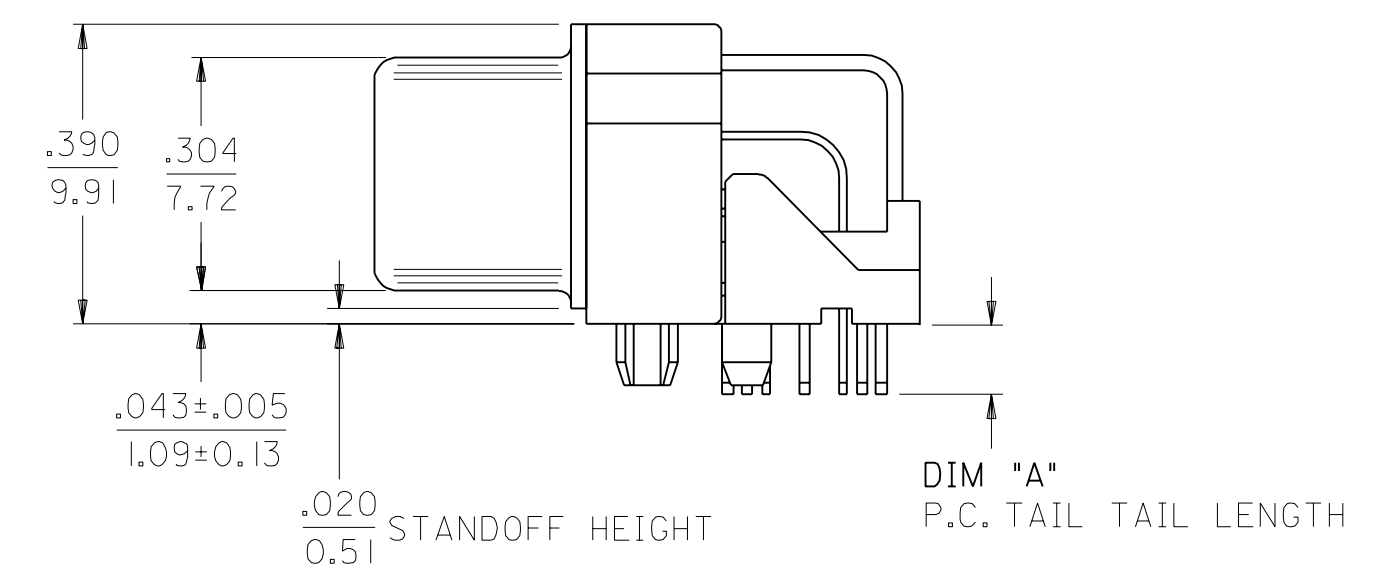
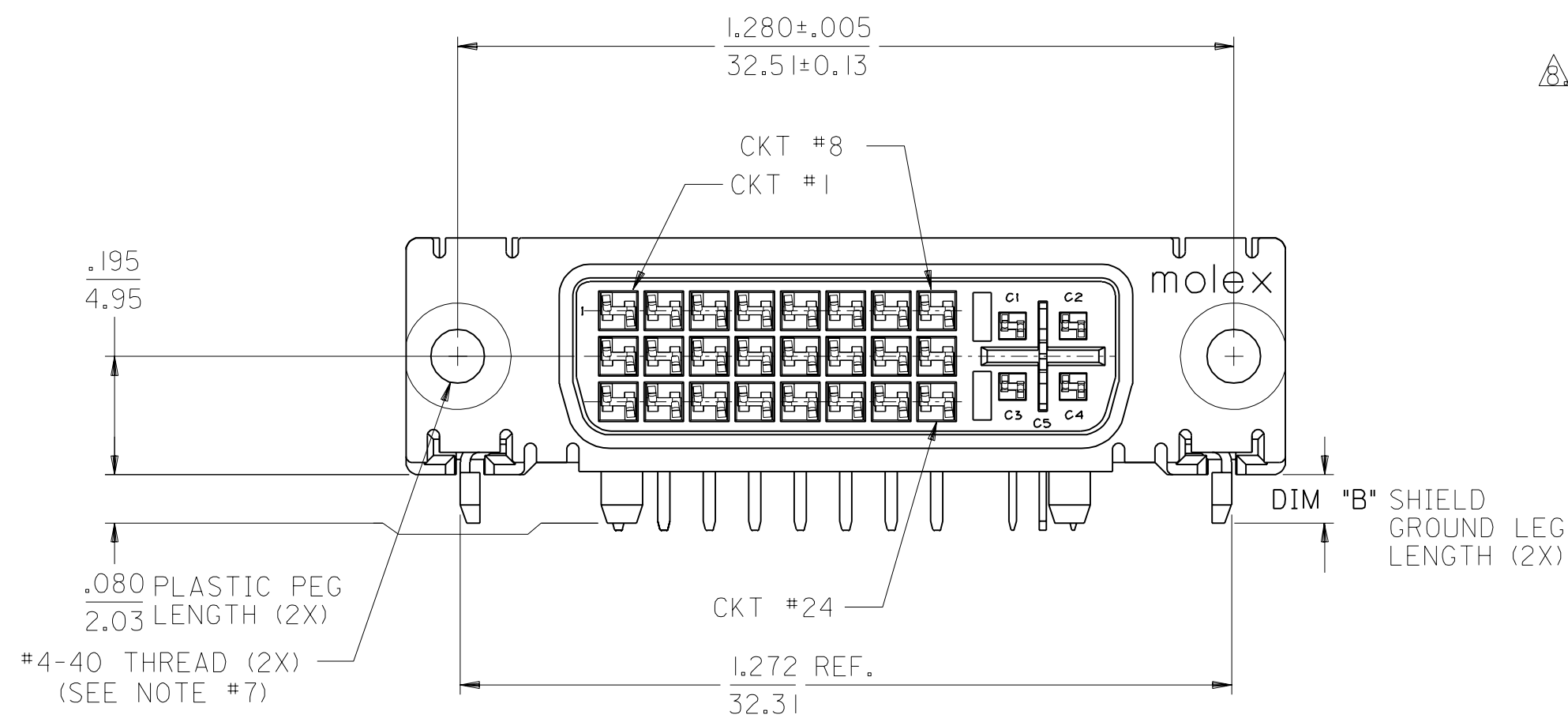
This document was generated on 04/05/2010

PLEASE CHECK WWW.MOLEX.COM FOR LATEST PART INFORMATION



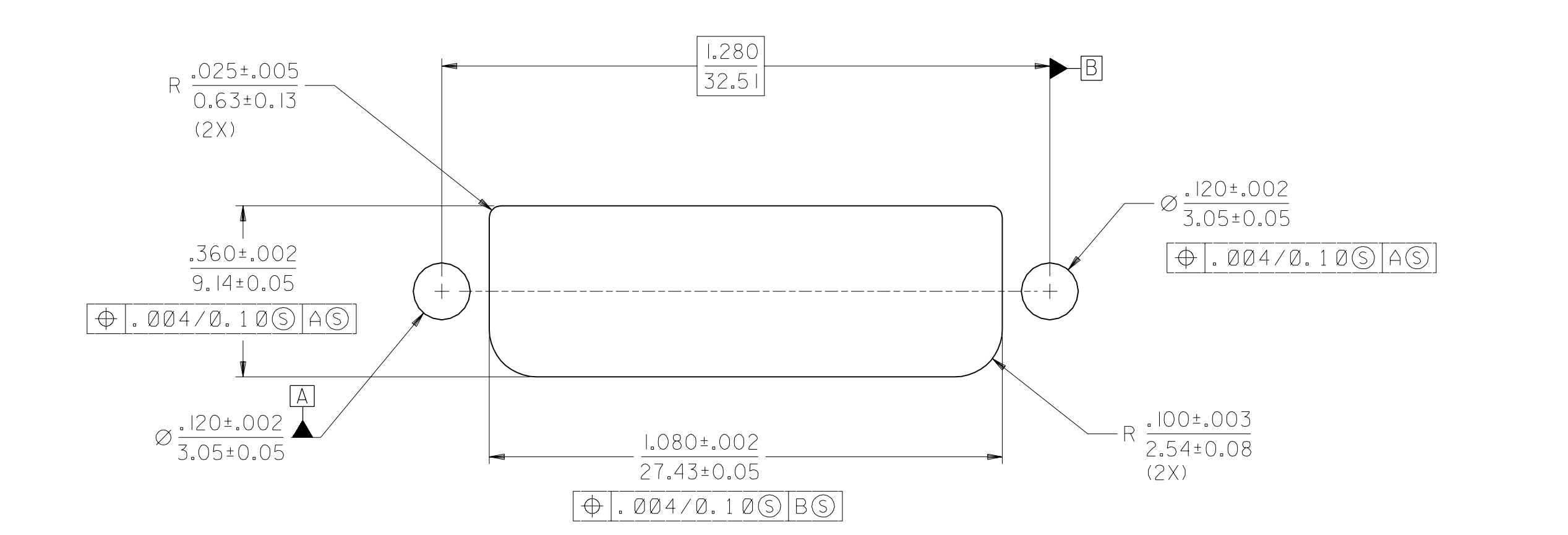
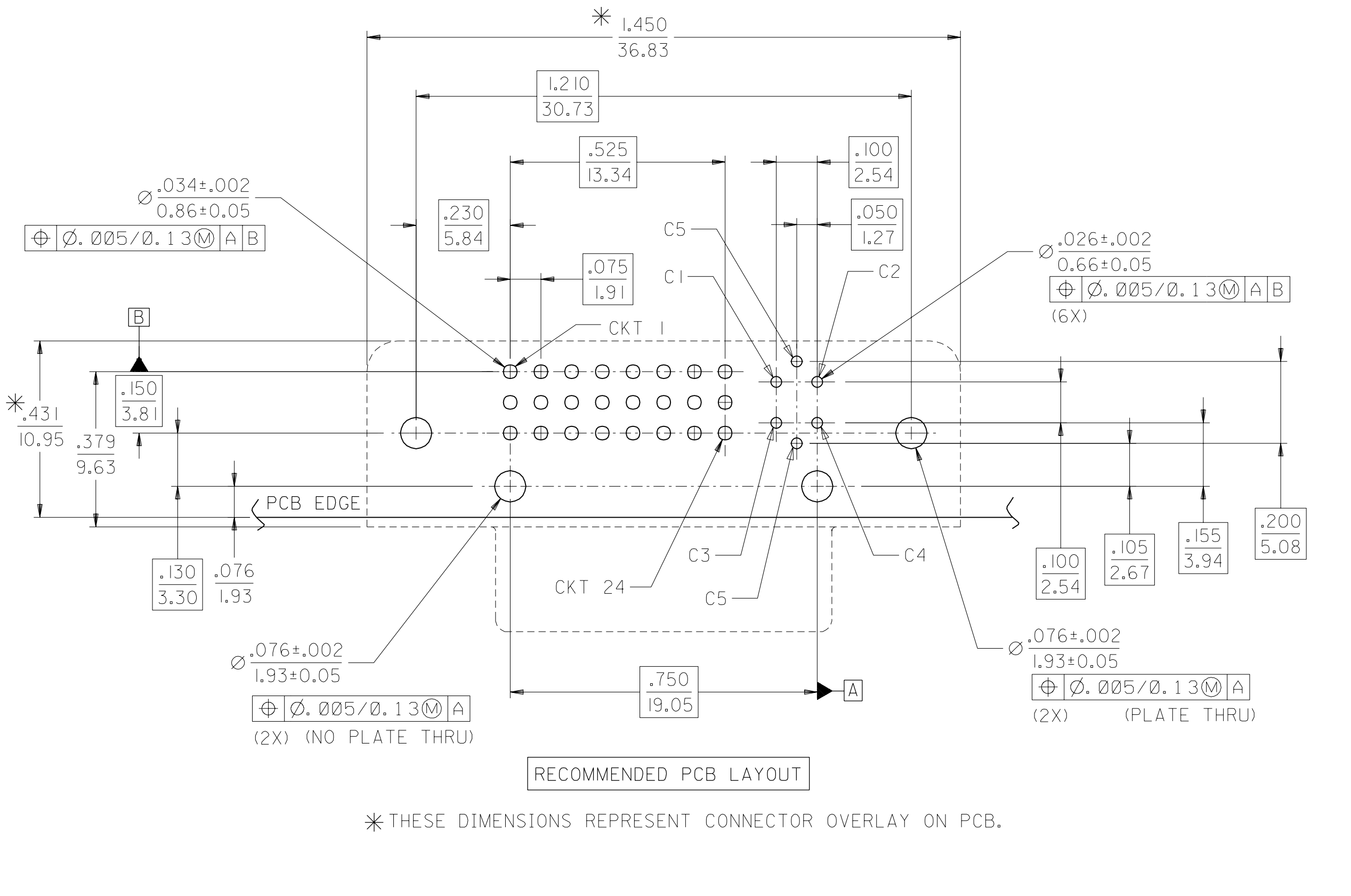
NOTES:

- MATERIALS:
SHIELD -- DEEP DRAW STEEL.
HOUSING -- GLASS FILLED POLYMER, NATURAL (WHITE), UL 94v-0.
TAIL ALIGNER -- GLASS FILLED POLYMER, NATURAL (WHITE), UL 94v-0.
CONTACTS -- COPPER ALLOY.
MICROGROUND -- COPPER ALLOY.
 - PLATING: SEE SHEET 2
 - PRODUCT CONFORMS TO MOLEX PRODUCT SPECIFICATION NUMBER PS-74320-001. REFER TO THIS SPECIFICATION FOR SPACING ON A P.C.B. OF TWO OR MORE CONNECTORS WHEN USING A CABLE OR AN ADAPTER ASSEMBLY.
 - SEE SHEET 2 FOR RECOMMENDED PANEL CUT-OUT AND P.C.B. LAYOUT.
 - PARTS WILL BE PACKAGED IN TRAYS PER PK-74320-010.
 - PRODUCT CONFORMS TO DDWG DVI SPECIFICATION. REFER TO THIS SPECIFICATION FOR CONNECTOR MATING DIMENSIONS.
 - RECOMMENDED MOUNTING HARDWARE IS MOLEX P/N 7178I-0001 OR 82007-0300 OR 88780-6066.
REFER TO PRODUCT SPECIFICATION NUMBER PS-74320-001 FOR THE APPLICATION TORQUE REQUIREMENT FOR ASSEMBLING MOUNTING HARDWARE.
- ⚠ CAVITY ID AND MANUFACTURING PLANT CODE.



PART NUMBER	PLATING OPTION	DIM "A"	DIM "B"
74320-1000	1	.092/2.34	.080±.020
74320-1001	1	.050/1.27	2.03±0.51
74320-1003	1	.123/3.12	.110/2.79
74320-1004	2	.092/2.34	.080±.020
74320-1005	2	.050/1.27	2.03±0.51
74320-1006	2	.110/2.79	.110/2.79
74320-1007	2	.123/3.12	.110/2.79

MODIFICATION EC NO. SH2004-0130 DRWN: DXUE 04/03/04 CHK: HARVEY 04/03/11 APPR: SHUANG 04/03/12	QUALITY SYMBOLS	GENERAL TOLERANCES: (UNLESS SPECIFIED)	SCALE 4 : 1	DESIGN UNITS <input type="checkbox"/> mm <input checked="" type="checkbox"/> INCH	THIRD ANGLE PROJECTION <input checked="" type="checkbox"/>	DIMENSIONS: <input type="checkbox"/> INCH ONLY <input type="checkbox"/> SHT <input type="checkbox"/> REV	
	MAJOR $\nabla=0$	4 PLACES ±0. INCH ±.	DRAWN BY & DATE	TITLE: DVI - INTERGRATED RIGHT ANGLE RECEPTACLE CONNECTOR			
	CRITICAL $\nabla c=0$	3 PLACES ±0. INCH ±.010	CHECKED BY & DATE	MOLEX INCORPORATED			
	REV	2 PLACES ±0.25 INCH ±.010	APPROVED BY & DATE	CAD FILENAME	MATERIAL NO.	DRAWING NO.	SHEET NO.
	1 PLACE ±0.25 INCH ±.010	ANGULAR: ± 1/2°	SD74320001.S01	SEE CHART	SD-74320-001	1 OF 2	
DRAFT WHERE APPLICABLE MUST REMAIN WITHIN DIMENSIONS			THIS DRAWING CONTAINS INFORMATION THAT IS PROPRIETARY TO MOLEX INCORPORATED AND SHOULD NOT BE USED WITHOUT WRITTEN PERMISSION.				SIZE C



MODIFICATION EC NO. SH2004-0130 DRWN: DXUE 04/03/05 CHK: HARVEY 04/03/11 APPR: SHUANG 04/03/12	QUALITY SYMBOLS MAJOR $\nabla=0$ CRITICAL $\nabla_c=0$	GENERAL TOLERANCES: (UNLESS SPECIFIED)		SCALE 4 : 1	DESIGN UNITS <input type="checkbox"/> mm <input checked="" type="checkbox"/> INCH	THIRD ANGLE PROJECTION	DIMENSIONS: <input type="checkbox"/> INCH ONLY <input checked="" type="checkbox"/> mm ONLY	SHT REV	
		4 PLACES $\pm 0.$ $\pm .$	3 PLACES $\pm 0.$ $\pm .010$	2 PLACES ± 0.25 $\pm .010$	1 PLACE ± 0.25 $\pm .010$	DRAWN BY & DATE MOSULLIV 99/02/12	TITLE: DVI - INTERGRATED RIGHT ANGLE RECEPTACLE CONNECTOR		
		ANGULAR: $\pm 1/2^\circ$				CHECKED BY & DATE MOSULLIV 99/02/12	MOLEX INCORPORATED		
		DRAFT WHERE APPLICABLE MUST REMAIN WITHIN DIMENSIONS				APPROVED BY & DATE NELLIGAN 99/02/15	CAD FILENAME SD7432001.S02	MATERIAL NO. SEE CHART	DRAWING NO. SD-74320-001
THIS DRAWING CONTAINS INFORMATION THAT IS PROPRIETARY TO MOLEX INCORPORATED AND SHOULD NOT BE USED WITHOUT WRITTEN PERMISSION.								SIZE C	

Компания «Life Electronics» занимается поставками электронных компонентов импортного и отечественного производства от производителей и со складов крупных дистрибьюторов Европы, Америки и Азии.

С конца 2013 года компания активно расширяет линейку поставок компонентов по направлению коаксиальный кабель, кварцевые генераторы и конденсаторы (керамические, пленочные, электролитические), за счёт заключения дистрибьюторских договоров

Мы предлагаем:

- Конкурентоспособные цены и скидки постоянным клиентам.
- Специальные условия для постоянных клиентов.
- Подбор аналогов.
- Поставку компонентов в любых объемах, удовлетворяющих вашим потребностям.
- Приемлемые сроки поставки, возможна ускоренная поставка.
- Доставку товара в любую точку России и стран СНГ.
- Комплексную поставку.
- Работу по проектам и поставку образцов.
- Формирование склада под заказчика.
- Сертификаты соответствия на поставляемую продукцию (по желанию клиента).
- Тестирование поставляемой продукции.
- Поставку компонентов, требующих военную и космическую приемку.
- Входной контроль качества.
- Наличие сертификата ISO.

В составе нашей компании организован Конструкторский отдел, призванный помогать разработчикам, и инженерам.

Конструкторский отдел помогает осуществить:

- Регистрацию проекта у производителя компонентов.
- Техническую поддержку проекта.
- Защиту от снятия компонента с производства.
- Оценку стоимости проекта по компонентам.
- Изготовление тестовой платы монтаж и пусконаладочные работы.



Тел: +7 (812) 336 43 04 (многоканальный)
Email: org@lifeelectronics.ru