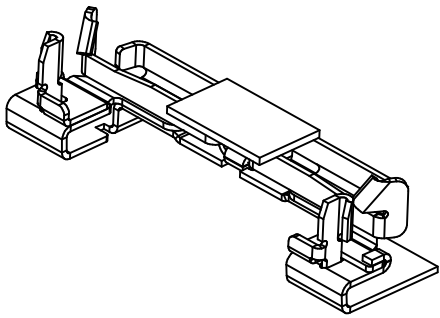
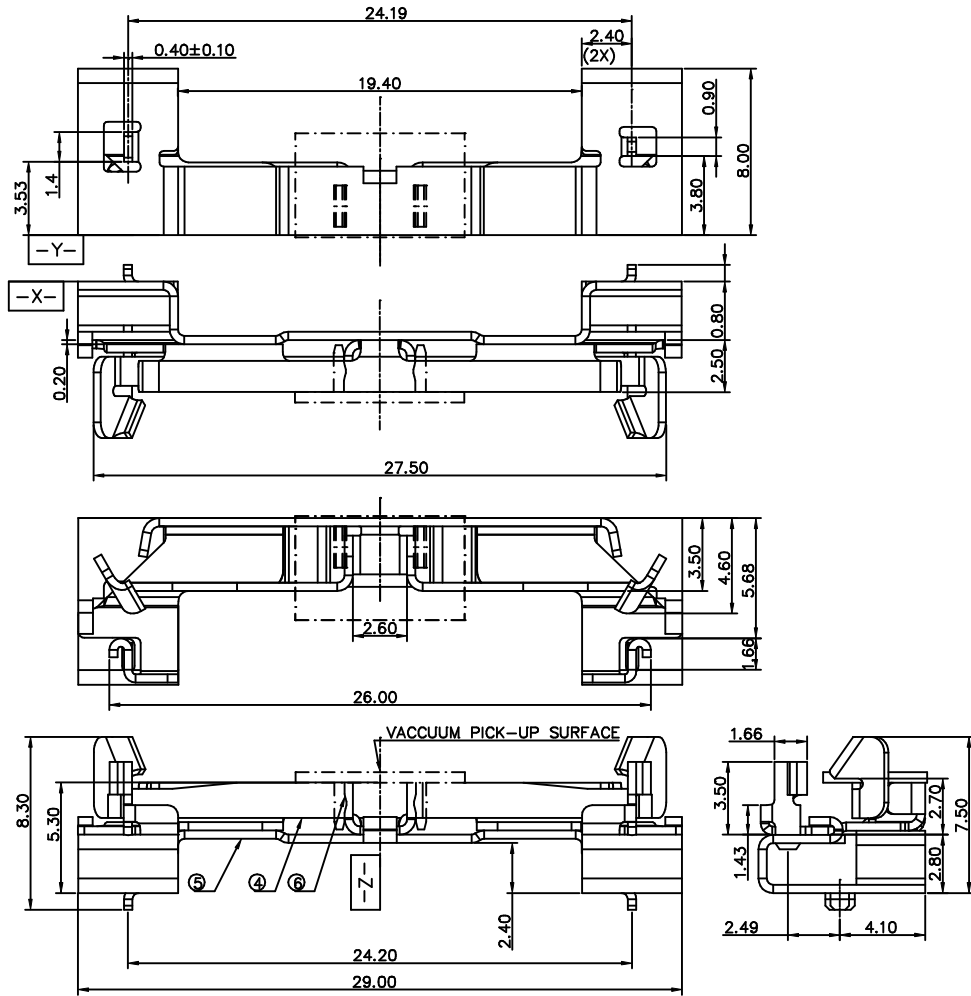


IDEAS GENERATED DRAWING, DO NOT CHANGE BY HAND

| REV. | ECN. | NO. | APPD. |
|------|------|-----|-------|
| | | | |

A
B
C
D
E



SPECIFICATIONS:

1. ELECTRICAL CHARACTERISTICS:
 - 1-1 CURRENT RATING: 0.75 A MAX per power contact.
 - 1-2 VOLTAGE RATING: 50 VAC per contact.
 - 1-3 LOW LEVEL CONTACT RESISTANCE: 55mΩ max. initial, ΔR =20mΩ max.
 - 1-4 INSULATION RESISTANCE: 500MΩ min. at 500 V DC.
 - 1-5 DIELECTRIC WITHSTANDING VOLTAGE: 300 V AC (RMS).
 - 1-6 INSERTION LOSS: f ≤1.25 GHz: ≤1dB; 1.25 <f≤3.75 GHz: ≤1.6x(f-1.25)+1dB
 - 1-7 RETURN LOSS: f ≤1.3GHz: ≤-12dB; 1.3<f≤2GHz: ≤-7dB; 2<f≤3.75GHz: ≤-4dB
 - 1-8 CROSSTALK NEXT: f≤1.25GHz: ≤-32dB; 1.25<f≤3.75GHz: ≤-(32-2.4x(f-1.25)) dB
 - 1-9 TEMPERATURE RISE VERSUS CURRENT: <30°C at rated current per EIA-364-70A, method 2.
2. MECHANICAL CHARACTERISTICS:
 - 2-1 DURABILITY: 50 mating/unmating cycles.
 - 2-2 MATING/UNMATING FORCE: 2.3 kgf max. per connector.
3. ENVIRONMENTAL CHARACTERISTICS:
 - 3-1 USEFUL FIELD LIFE: 5 years.
 - 3-2 OPERATING TEMPERATURE: -40°C TO +80°C.
 - 3-3 TEMPERATURE LIFE: Subject mated samples at 105±2°C for 120 hours per EIA-364-17, method A.
 - 3-4 THERMAL SHOCK: Subject mated samples to 10 cycles between -55 to 85°C per EIA-364-32C, condition I.
 - 3-5 CYCLIC TEMPERATURE & HUMIDITY: Subject mated samples to 24 cycles between 25°C at 80% RH to 65°C at 50% RH per EIA-364-31B.
 - 3-6 VIBRATION: Subject mated samples to 20 to 500 Hz, 3.1 g RMS random excitation of 15 min. in each of the 3 axes and no discontinuity >1μs is found per EIA-364-28D, test condition VII, test condition letter D.
 - 3-7 MECHANICAL SHOCK: Subject mated samples to 50% half-sine excitation of 11 ms duration and no discontinuity >1μs is found per per EIA-364-27B, condition A.
 - 3-8 MIXED FLOWING GAS: Subject mated samples for 7 days per EIA-364-65, class IIA.
 - 3-9 THERMAL DISTURBANCE: Subject mated samples to 10 cycles between 15 to 85°C.
4. PLEASE CONTACT FOXCONN SALES REPRESENTATIVE TO VERIFY PRODUCT DETAILS & AVAILABILITY.

| ⑥ | CAP | 1 | THERMOPLASTIC | UL94V-0, IVORY COLOR(IN ORDER TO PICK-UP,TAKE AWAY AFTER ASSEMBLY) |
|------|-------------|------|-----------------|--|
| ⑤ | CLIP(2) | 1 | STAINLESS STEEL | Pd PLATING OVER SOLDER PAD AREA |
| ④ | CLIP(1) | 1 | STAINLESS STEEL | NO PLATING |
| ③ | BOARD LOCK | 2 | COPPER ALLOY | PURE TIN OVER ALL |
| ② | CONTACT | 52 | PHOSPHOR BRONZE | NICKEL UNDER PLATING GOLD PLATING AT CONTACT AREA |
| ① | HOUSING | 1 | THERMOPLASTIC | UL94V-0, IVORY COLOR |
| ITEM | DESCRIPTION | Q'TY | MATERIAL | TREATMENT |

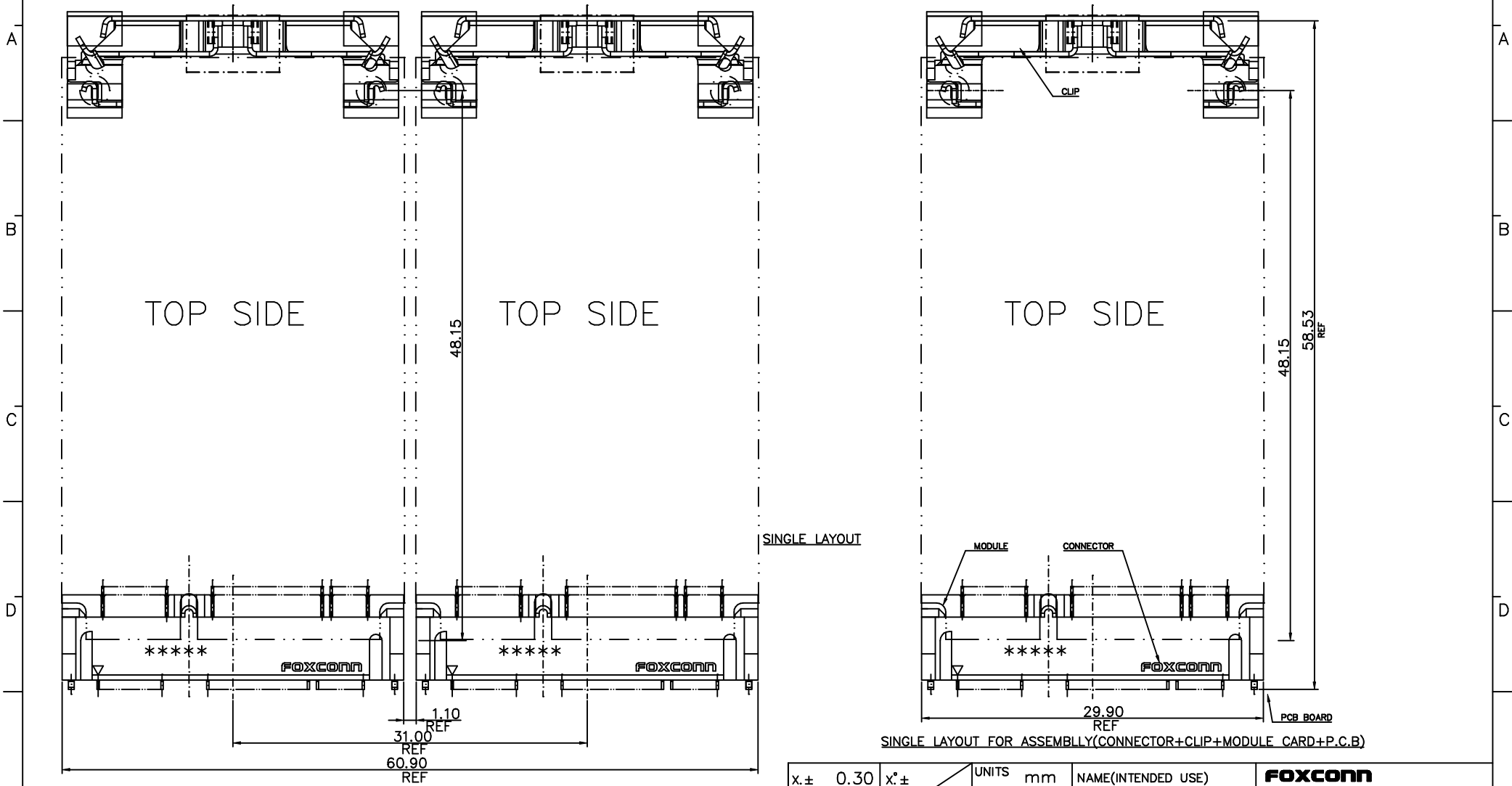
| | | | | | |
|--|--------|--------|----|----------------------------|---|
| x.± 0.30 | x'± | UNITS | mm | NAME(INTENDED USE) | FOXCONN HON HAI PRECISION IND. CO.,LTD. TAIPEI, TAIWAN, R.O.C. |
| .x± 0.25 | .x'± | MAT'L | | MINI PCI EXPRESS Connector | |
| .xx± 0.15 | .xx'± | FINISH | | PART NO.(INTENDED USE) | TITLE: |
| .xxx± | .xxx'± | Q'TY | | ASOB22*-S68*-** | CUSTOMER DRAWING |
| THESE DRAWINGS AND SPECIFICATIONS ARE THE PROPERTY OF HON HAI PRECISION IND. CO., LTD. AND SHALL NOT BE REPRODUCED, COPIED OR USED IN ANY MANNER WITHOUT THE PRIOR WRITTEN CONSENT OF HON HAI PRECISION IND. CO., LTD. | | | | APPD: | DWG NO.: |
| | | | | Bruce Wu 4/23'06 | 317-0000-1228 |
| | | | | CHKD: | SCALE |
| | | | | Herry Yang 4/23'06 | SHEET |
| | | | | DR: Recharh.XIAO 4/21'06 | REV. |
| | | | | | N/A |
| | | | | | 2/6 |
| | | | | | A |

A
B
C
D
E

1 2 3 4 5 6 7

IDEAS GENERATED DRAWING, DO NOT CHANGE BY HAND

| | | | |
|------|------|-----|-------|
| REV. | ECN. | NO. | APPD. |
| | | | |

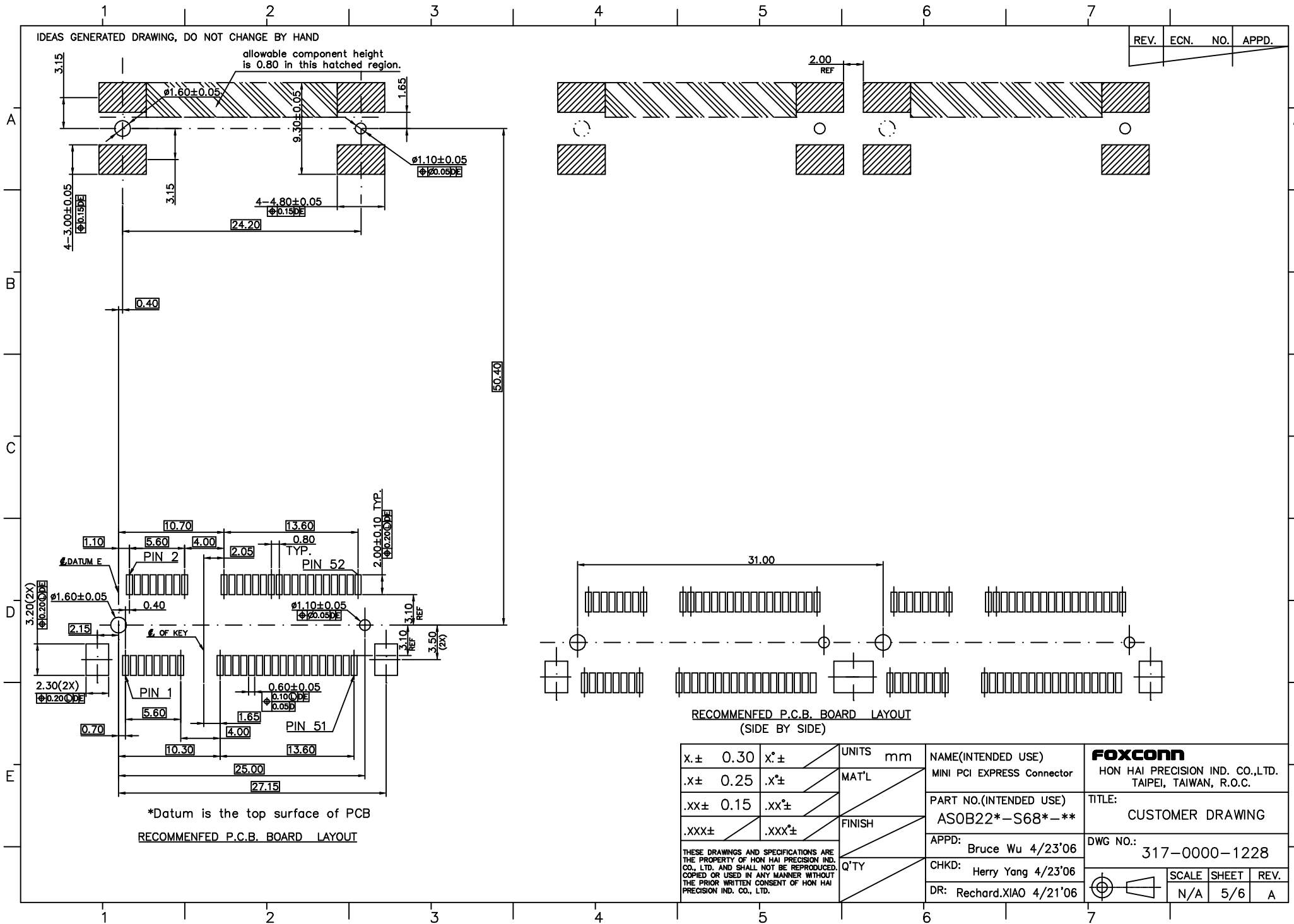


| | | | | | | | | | | |
|-----------|--------|----------|----------------------------|--|---------------|-------|------|-----|-----|---|
| x.± 0.30 | x'.± | UNITS mm | NAME(INTENDED USE) | FOXCONN HON HAI PRECISION IND. CO.,LTD. TAIPEI, TAIWAN, R.O.C. | | | | | | |
| .x± 0.25 | .x'± | | MINI PCI EXPRESS Connector | | | | | | | |
| .xx± 0.15 | .xx'± | MAT'L | PART NO.(INTENDED USE) | TITLE: | | | | | | |
| .xxx± | .xxx'± | | ASOB22*-S68*-** | CUSTOMER DRAWING | | | | | | |
| | | FINISH | APPD: | DWG NO.: | | | | | | |
| | | | | Bruce Wu 4/23'06 | 317-0000-1228 | | | | | |
| | | Q'TY | CHKD: | <table border="1"> <tr> <td>SCALE</td> <td>SHEET</td> <td>REV.</td> </tr> <tr> <td>N/A</td> <td>3/6</td> <td>A</td> </tr> </table> | SCALE | SHEET | REV. | N/A | 3/6 | A |
| SCALE | SHEET | | REV. | | | | | | | |
| N/A | 3/6 | A | | | | | | | | |
| | | | Herry Yang 4/23'06 | | | | | | | |
| | | | DR: Rechar.XIAO 4/21'06 | | | | | | | |

THESE DRAWINGS AND SPECIFICATIONS ARE THE PROPERTY OF HON HAI PRECISION IND. CO., LTD. AND SHALL NOT BE REPRODUCED, COPIED OR USED IN ANY MANNER WITHOUT THE PRIOR WRITTEN CONSENT OF HON HAI PRECISION IND. CO., LTD.

IDEAS GENERATED DRAWING, DO NOT CHANGE BY HAND

| | | | |
|------|------|-----|-------|
| REV. | ECN. | NO. | APPD. |
| | | | |



*Datum is the top surface of PCB
 RECOMMENFD P.C.B. BOARD LAYOUT

RECOMMENFD P.C.B. BOARD LAYOUT
 (SIDE BY SIDE)

| | | | | | | |
|--|---------|--------|-------|----------------------------|---|------------------|
| x.± 0.30 | x°.± | UNITS | mm | NAME(INTENDED USE) | FOXCONN HON HAI PRECISION IND. CO.,LTD. TAIPEI, TAIWAN, R.O.C. | |
| .x± 0.25 | .x°.± | | MAT'L | MINI PCI EXPRESS Connector | | |
| .xx± 0.15 | .xx°.± | FINISH | | PART NO.(INTENDED USE) | TITLE: | |
| .xxx± | .xxx°.± | | Q'TY | | AS0B22*-S68*-** | CUSTOMER DRAWING |
| THESE DRAWINGS AND SPECIFICATIONS ARE THE PROPERTY OF HON HAI PRECISION IND. CO., LTD. AND SHALL NOT BE REPRODUCED, COPIED OR USED IN ANY MANNER WITHOUT THE PRIOR WRITTEN CONSENT OF HON HAI PRECISION IND. CO., LTD. | | | | APPD: Bruce Wu 4/23'06 | DWG NO.: 317-0000-1228 | |
| | | | | CHKD: Herry Yang 4/23'06 | | |
| | | | | DR: RecharD.XIAO 4/21'06 | | |
| | | | | SCALE | SHEET | REV. |
| | | | | N/A | 5/6 | A |

Компания «Life Electronics» занимается поставками электронных компонентов импортного и отечественного производства от производителей и со складов крупных дистрибьюторов Европы, Америки и Азии.

С конца 2013 года компания активно расширяет линейку поставок компонентов по направлению коаксиальный кабель, кварцевые генераторы и конденсаторы (керамические, пленочные, электролитические), за счёт заключения дистрибьюторских договоров

Мы предлагаем:

- Конкурентоспособные цены и скидки постоянным клиентам.
- Специальные условия для постоянных клиентов.
- Подбор аналогов.
- Поставку компонентов в любых объемах, удовлетворяющих вашим потребностям.
- Приемлемые сроки поставки, возможна ускоренная поставка.
- Доставку товара в любую точку России и стран СНГ.
- Комплексную поставку.
- Работу по проектам и поставку образцов.
- Формирование склада под заказчика.
- Сертификаты соответствия на поставляемую продукцию (по желанию клиента).
- Тестирование поставляемой продукции.
- Поставку компонентов, требующих военную и космическую приемку.
- Входной контроль качества.
- Наличие сертификата ISO.

В составе нашей компании организован Конструкторский отдел, призванный помогать разработчикам, и инженерам.

Конструкторский отдел помогает осуществить:

- Регистрацию проекта у производителя компонентов.
- Техническую поддержку проекта.
- Защиту от снятия компонента с производства.
- Оценку стоимости проекта по компонентам.
- Изготовление тестовой платы монтаж и пусконаладочные работы.



Тел: +7 (812) 336 43 04 (многоканальный)

Email: org@lifeelectronics.ru