



Main

| | |
|------------------------------|-------------------------------------|
| Range of product | OsiSense XCC |
| Encoder type | Incremental encoder |
| Encoder name | XCC |
| Product specific application | - |
| Diameter | 2.28 in (58 mm) |
| Shaft diameter | 0.55 in (14 mm) |
| Shaft type | Through shaft |
| Resolution | 5000 points |
| Output stage | Type X |
| Type of output stage | Driver 5V, RS422 |
| Electrical connection | 1 male connector M23 radial 12 pins |
| [Us] rated supply voltage | 4.75...30 V DC |
| Enclosure material | Zamak |

Complementary

| | |
|--------------------------|---|
| Shaft tolerance | H7 |
| Residual ripple | 500 mV |
| Maximum revolution speed | 6000 rpm |
| Shaft moment of inertia | 0.01 lb.in ² (22 g.cm ²) |
| Torque value | 0.05 lbf.in (0.006 N.m) |
| Maximum load | 2 daN axial 5 daN radial |
| Output frequency | 300 kHz |
| Number of channels | 3 |
| Current consumption | 0...75 mA (no-load) |
| Protection type | Reverse polarity protection Short-circuit protection |
| Maximum output current | 40 mA |
| Output level | Low level: 0.5 V maximum (20 mA) High level: 4.5 V minimum (20 mA) |
| Surge withstand | 1 kV, level 2 conforming to IEC 61000-4-5 |
| Base material | Aluminium |
| Shaft material | Stainless steel |
| Type of ball bearings | 6803ZZ |
| Product weight | 0.96 lb(US) (0.435 kg) |

Environment

| | |
|---------------------------------------|--|
| marking | CE |
| ambient air temperature for operation | -22...212 °F (-30...100 °C) |
| ambient air temperature for storage | -22...185 °F (-30...85 °C) |
| IP degree of protection | IP65 conforming to IEC 60529 |
| vibration resistance | 10 gn (f = 55...2000 Hz) conforming to IEC 60068-2-6 |
| shock resistance | 30 gn 11 ms conforming to IEC 60068-2-27 |
| resistance to electrostatic discharge | 8 kV (air discharge) level 3 conforming to IEC 61000-4-2 4 kV (contact discharge) level 3 conforming to IEC 61000-4-2 |
| resistance to electromagnetic fields | 9.14 V/yd (10 V/m) level 3 conforming to IEC 61000-4-3 |
| resistance to fast transients | 1 kV (signal ports) level 3 conforming to IEC 61000-4-4 2 kV (power ports) level 3 conforming to IEC 61000-4-4 |

The information provided in this documentation contains general descriptions and/or technical characteristics of the performance of the products contained herein. This documentation is not intended as a substitute for and is not to be used for determining suitability or reliability of these products for specific user applications. It is the duty of any such user or integrator to perform the appropriate and complete risk analysis, evaluation and testing of the products with respect to the relevant specific application or use thereof. Neither Schneider Electric Industries SAS nor any of its affiliates or subsidiaries shall be responsible or liable for misuse of the information contained herein.

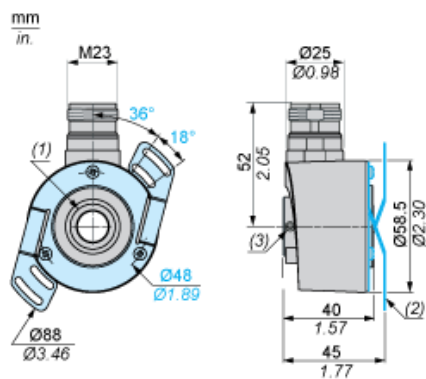
Offer Sustainability

| | |
|--|--|
| Not Green Premium product | Not Green Premium product |
| Compliant - since 0701 - Schneider Electric declaration of conformity | Compliant - since 0701 - Schneider Electric declaration of conformity |
| Reference not containing SVHC above the threshold | Reference not containing SVHC above the threshold |
| WARNING: This product can expose you to chemicals including: | WARNING: This product can expose you to chemicals including: |
| Diisononyl phthalate (DINP), which is known to the State of California to cause cancer, and | Diisononyl phthalate (DINP), which is known to the State of California to cause cancer, and |
| Di-isodecyl phthalate (DIDP), which is known to the State of California to cause birth defects or other reproductive harm. | Di-isodecyl phthalate (DIDP), which is known to the State of California to cause birth defects or other reproductive harm. |
| For more information go to www.p65warnings.ca.gov | For more information go to www.p65warnings.ca.gov |

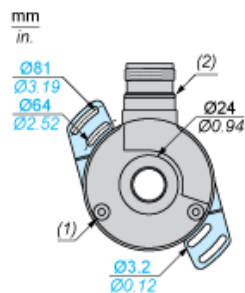
Contractual warranty

| | |
|-----------------|-----------|
| Warranty period | 18 months |
|-----------------|-----------|

Dimensions



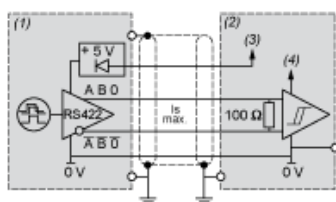
- (1) Through shaft, Ø 14 (H7)
- (2) Flexible mounting kit, 1 x XCCRF5N mounted
- (3) 2 HC M4 x 4 locking screws



- (1) Hole for M3 x 6 self-threading screw
- (2) Nitrile seal

Wiring Diagram

Type X Output Stage



- (1) Encoder
- (2) Processing
- (3) Supply 4.75 V/30 V
- (4) Supply 5 V

Wiring Diagram

M23, 12-pin Connector Connections

Male Connector on Encoder



| Pin number | 1 | 2 | 3 | 4 | 5 | 6 | 7 | 8 | 9 | 10 | 11 | 12 |
|---------------|----------------|----|---|----------------|---|----------------|---|---|---|-----|-----|----|
| Signal Supply | A ⁻ | +V | 0 | 0 ⁻ | B | B ⁻ | R | A | R | 0 V | 0 V | +V |

R = reserved, do not connect

Компания «Life Electronics» занимается поставками электронных компонентов импортного и отечественного производства от производителей и со складов крупных дистрибьюторов Европы, Америки и Азии.

С конца 2013 года компания активно расширяет линейку поставок компонентов по направлению коаксиальный кабель, кварцевые генераторы и конденсаторы (керамические, пленочные, электролитические), за счёт заключения дистрибьюторских договоров

Мы предлагаем:

- Конкурентоспособные цены и скидки постоянным клиентам.
- Специальные условия для постоянных клиентов.
- Подбор аналогов.
- Поставку компонентов в любых объемах, удовлетворяющих вашим потребностям.
- Приемлемые сроки поставки, возможна ускоренная поставка.
- Доставку товара в любую точку России и стран СНГ.
- Комплексную поставку.
- Работу по проектам и поставку образцов.
- Формирование склада под заказчика.
- Сертификаты соответствия на поставляемую продукцию (по желанию клиента).
- Тестирование поставляемой продукции.
- Поставку компонентов, требующих военную и космическую приемку.
- Входной контроль качества.
- Наличие сертификата ISO.

В составе нашей компании организован Конструкторский отдел, призванный помогать разработчикам, и инженерам.

Конструкторский отдел помогает осуществить:

- Регистрацию проекта у производителя компонентов.
- Техническую поддержку проекта.
- Защиту от снятия компонента с производства.
- Оценку стоимости проекта по компонентам.
- Изготовление тестовой платы монтаж и пусконаладочные работы.



Тел: +7 (812) 336 43 04 (многоканальный)

Email: org@lifeelectronics.ru