

0.8mm Free Height (FH) Connectors

Product Facts

- For parallel board stacking applications
- High density packaging on 0.8 [.031] centerline spacing
- Available sizes from 40 to 200 positions (in 20 position increments)
- Board stacking heights available from 5 [.197] to 16 [.630] (in 1 [.039] increments)
- Bellows type spring contacts are resistant to scooping and stubbing during mating and unmating
- Positioning bosses for proper on-board orientation
- Available packaged on "tape-and-reel" for automatic placement per EIA standards
- Recognized under the Component Program of Underwriter Laboratories Inc., File No. E28476



Tyco Electronics 0.8mm FH surface-mount connectors are designed for parallel board stacking applications using subminiature connectors to meet today's electronic industry requirements for high density packaging.

It is possible to save more than 50% of the required board space when compared to conventional 1.27 [.050] centerline connectors.

0.8mm FH connectors are ideally suited for application downsizing, such as notebook PCs, pen pads, cellular telephones and other electronic equipment requiring miniature connector packaging.

Vertical board-mount plugs and receptacles are available. By mating combinations of plug and receptacle housing heights, board-to-board stacking heights from 5 [.197] to 16 [.630] (in 1 [.039] increments) can be achieved.

The receptacles are preloaded with the Tyco Electronics unique bellows-type spring contacts for reliable electrical connection with the plugs.

In addition, right angle plugs are available which mate to standard receptacles.

Performance Characteristics

Voltage Rating — 100 VAC

Current Rating — 0.5 ampere

Contact Resistance — 30 milliohms max. (initial)

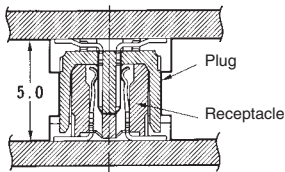
Dielectric Withstanding Voltage — 500 VAC (1 minute)

Operating Temperature — -40°C to +85°C (Including terminal temperature rise)

0.8mm Free Height (FH) Connectors

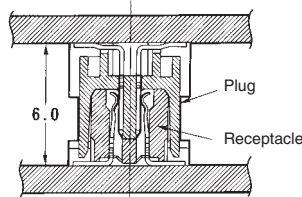
Board-to-Board Stacking Heights (By Plug/Receptacle Combinations)

Part No.: 5177984-□
(Page 74)



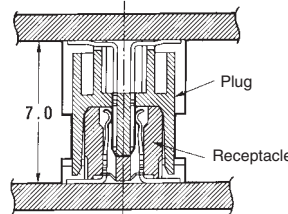
Part No.: 5177983-□
(Page 78)
5 [.197] Stacking Height

Part No.: 5179029-□
(Page 75)



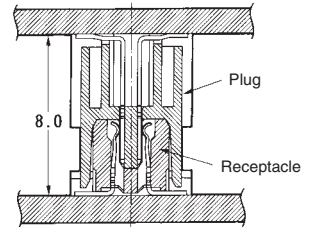
Part No.: 5177983-□
(Page 78)
6 [.236] Stacking Height

Part No.: 5179030-□
(Page 76)



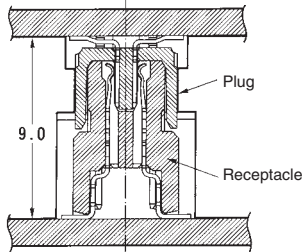
Part No.: 5177983-□
(Page 78)
7 [.276] Stacking Height

Part No.: 5179031-□
(Page 77)



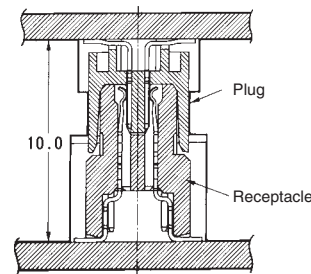
Part No.: 5177983-□
(Page 78)
8 [.315] Stacking Height

Part No.: 5177984-□
(Page 74)



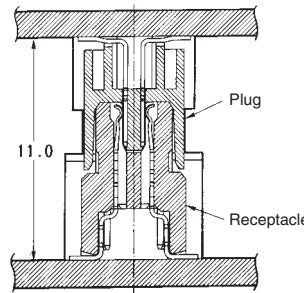
Part No.: 5-5179009-□
(Page 79)
9 [.354] Stacking Height

Part No.: 5179029-□
(Page 75)



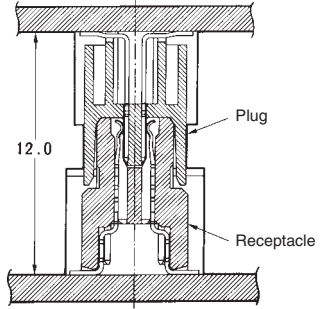
Part No.: 5-5179009-□
(Page 79)
10 [.394] Stacking Height

Part No.: 5179030-□
(Page 76)



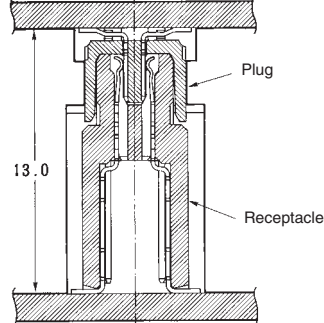
Part No.: 5-5179009-□
(Page 79)
11 [.433] Stacking Height

Part No.: 5179031-□
(Page 77)



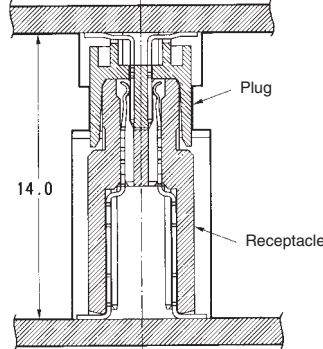
Part No.: 5-5179009-□
(Page 79)
12 [.472] Stacking Height

Part No.: 5177984-□
(Page 74)



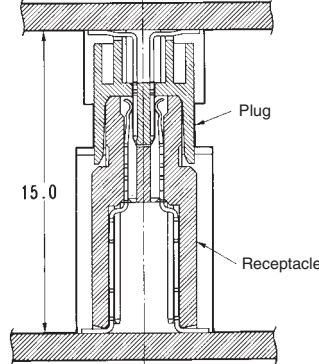
Part No.: 5-5179010-□
(Page 80)
13 [.512] Stacking Height

Part No.: 5179029-□
(Page 75)



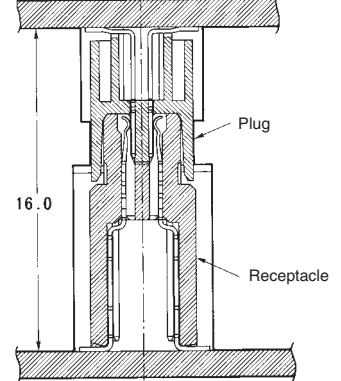
Part No.: 5-5179010-□
(Page 80)
14 [.551] Stacking Height

Part No.: 5179030-□
(Page 76)



Part No.: 5-5179010-□
(Page 80)
15 [.591] Stacking Height

Part No.: 5179031-□
(Page 77)



Part No.: 5-5179010-□
(Page 80)
16 [.630] Stacking Height

Notes: For specific dash nos. of sizes 40 to 200 positions (in 20-position increments), see pages 73 thru 81.
Part Numbers are RoHS compliant.

0.8mm Free Height (FH) Connectors

0.8mm Free Height (FH) Connectors (Continued)

| 0.8mm Product Tree | | Plating Au Thickness | Package Type | Pickup Cap | 40 Pos. | 60 Pos. | 80 Pos. | 100 Pos. | 120 Pos. | 140 Pos. | 160 Pos. | 180 Pos. | 200 Pos. |
|--------------------|------|----------------------|--------------|-------------|-------------|-------------|-------------|-------------|-------------|-------------|-------------|-------------|-------------|
| 5H | 8µ" | Tube | No | 5177983-1 | 5177983-2 | 5177983-3 | 5177983-4 | 5177983-5 | 5177983-6 | 5177983-7 | 5177983-8 | 5177983-9 | 1-5177983-0 |
| | | Tube | Yes | 5179229-1 | 5179229-2 | 5179229-3 | 5179229-4 | 5179229-5 | 5179229-6 | 5179229-7 | 5179229-8 | 5179229-9 | 1-5179229-0 |
| | 30µ" | Tape and Reel | Yes | 5177985-1 | 5177985-2 | 5177985-3 | 5177985-4 | 5177985-5 | 5177985-6 | 5177985-7 | 5177985-8 | — | — |
| | | Tube | No | 6123000-1 | 6123000-2 | 6123000-3 | 6123000-4 | 6123000-5 | 6123000-6 | 6123000-7 | 6123000-8 | 6123000-9 | 1-6123000-0 |
| 9H | 8µ" | Tape and Reel | Yes | 5353999-1 | 5353999-2 | 5353999-3 | 5353999-4 | 5353999-5 | 5353999-6 | 5353999-7 | 5353999-8 | — | — |
| | | Tube | No | 5-5179009-1 | 5-5179009-2 | 5-5179009-3 | 5-5179009-4 | 5-5179009-5 | 5-5179009-6 | 5-5179009-7 | 5-5179009-8 | 5-5179009-9 | 6-5179009-0 |
| | 30µ" | Tape and Reel | Yes | 5-5179180-1 | 5-5179180-2 | 5-5179180-3 | 5-5179180-4 | 5-5179180-5 | 5-5179180-6 | 5-5179180-7 | 5-5179180-8 | 5-5179180-9 | 1-5084613-0 |
| | | Tube | No | 5084613-1 | 5084613-2 | 5084613-3 | 5084613-4 | 5084613-5 | 5084613-6 | 5084613-7 | 5084613-8 | 5084613-9 | 1-5084613-0 |
| 13H | 8µ" | Tape and Reel | Yes | 7-5179180-1 | 7-5179180-2 | 7-5179180-3 | 7-5179180-4 | 7-5179180-5 | 7-5179180-6 | 7-5179180-7 | 7-5179180-8 | 7-5179180-9 | — |
| | | Tube | No | 5-5179010-1 | 5-5179010-2 | 5-5179010-3 | 5-5179010-4 | 5-5179010-5 | 5-5179010-6 | 5-5179010-7 | 5-5179010-8 | 5-5179010-9 | 6-5179010-0 |
| | 30µ" | Tape and Reel | Yes | 5-5179233-1 | 5-5179233-2 | 5-5179233-3 | 5-5179233-4 | 5-5179233-5 | 5-5179233-6 | 5-5179233-7 | 5-5179233-8 | 5-5179233-9 | 6-5179233-0 |
| | | Tube | Yes | 5084616-1 | 5084616-2 | 5084616-3 | 5084616-4 | 5084616-5 | 5084616-6 | 5084616-7 | 5084616-8 | 5084616-9 | — |
| 5H | 8µ" | Tape and Reel | Yes | 5-6123212-1 | 5-6123212-2 | 5-6123212-3 | 5-6123212-4 | 5-6123212-5 | 5-6123212-6 | 5-6123212-7 | 5-6123212-8 | 5-6123212-9 | 6-6123212-0 |
| | | Tube | No | — | — | — | — | — | — | — | — | — | 7-6123212-0 |
| | 30µ" | Tape and Reel | Yes | 5084618-1 | 5084618-2 | 5084618-3 | 5084618-4 | 5084618-5 | 5084618-6 | 5084618-7 | 5084618-8 | 5084618-9 | — |
| | | Tube | No | 5177984-1 | 5177984-2 | 5177984-3 | 5177984-4 | 5177984-5 | 5177984-6 | 5177984-7 | 5177984-8 | 5177984-9 | 1-5177984-0 |
| 6H | 8µ" | Tape and Reel | Yes | 5179230-1 | 5179230-2 | 5179230-3 | 5179230-4 | 5179230-5 | 5179230-6 | 5179230-7 | 5179230-8 | 5179230-9 | 1-5179230-0 |
| | | Tube | Yes | 5177986-1 | 5177986-2 | 5177986-3 | 5177986-4 | 5177986-5 | 5177986-6 | 5177986-7 | 5177986-8 | 5177986-9 | — |
| | 30µ" | Tape and Reel | Yes | 5084614-1 | 5084614-2 | 5084614-3 | 5084614-4 | 5084614-5 | 5084614-6 | 5084614-7 | 5084614-8 | 5084614-9 | 1-5084614-0 |
| | | Tube | No | — | — | — | — | — | — | — | — | — | — |
| 7H | 8µ" | Tape and Reel | Yes | 5-5177986-1 | 5-5177986-2 | 5-5177986-3 | 5-5177986-4 | 5-5177986-5 | 5-5177986-6 | 5-5177986-7 | 5-5177986-8 | 5-5177986-9 | — |
| | | Tube | No | 5179029-1 | 5179029-2 | 5179029-3 | 5179029-4 | 5179029-5 | 5179029-6 | 5179029-7 | 5179029-8 | 5179029-9 | 1-5179029-0 |
| | 30µ" | Tape and Reel | Yes | 2-5179230-1 | 2-5179230-2 | 2-5179230-3 | 2-5179230-4 | 2-5179230-5 | 2-5179230-6 | 2-5179230-7 | 2-5179230-8 | 2-5179230-9 | 3-5179230-0 |
| | | Tube | Yes | 1-5177986-1 | 1-5177986-2 | 1-5177986-3 | 1-5177986-4 | 1-5177986-5 | 1-5177986-6 | 1-5177986-7 | 1-5177986-8 | 1-5177986-9 | — |
| 8H | 8µ" | Tape and Reel | Yes | 6-5177986-1 | 6-5177986-2 | 6-5177986-3 | 6-5177986-4 | 6-5177986-5 | 6-5177986-6 | 6-5177986-7 | 6-5177986-8 | 6-5177986-9 | — |
| | | Tube | No | 5179030-1 | 5179030-2 | 5179030-3 | 5179030-4 | 5179030-5 | 5179030-6 | 5179030-7 | 5179030-8 | 5179030-9 | 1-5179030-0 |
| | 30µ" | Tape and Reel | Yes | 4-5179230-1 | 4-5179230-2 | 4-5179230-3 | 4-5179230-4 | 4-5179230-5 | 4-5179230-6 | 4-5179230-7 | 4-5179230-8 | 4-5179230-9 | 5-5179230-0 |
| | | Tube | Yes | 2-5177986-1 | 2-5177986-2 | 2-5177986-3 | 2-5177986-4 | 2-5177986-5 | 2-5177986-6 | 2-5177986-7 | 2-5177986-8 | 2-5177986-9 | — |
| R/A | 8µ" | Tape and Reel | Yes | 1-5179030-1 | 1-5179030-2 | 1-5179030-3 | 1-5179030-4 | 1-5179030-5 | 1-5179030-6 | 1-5179030-7 | 1-5179030-8 | 1-5179030-9 | 2-5179030-0 |
| | | Tube | No | 2-5179030-1 | 2-5179030-2 | 2-5179030-3 | 2-5179030-4 | 2-5179030-5 | 2-5179030-6 | 2-5179030-7 | 2-5179030-8 | 2-5179030-9 | 3-5179030-0 |
| | 30µ" | Tape and Reel | Yes | 5179031-1 | 5179031-2 | 5179031-3 | 5179031-4 | 5179031-5 | 5179031-6 | 5179031-7 | 5179031-8 | 5179031-9 | 1-5179031-0 |
| | | Tube | No | 6-5179230-1 | 6-5179230-2 | 6-5179230-3 | 6-5179230-4 | 6-5179230-5 | 6-5179230-6 | 6-5179230-7 | 6-5179230-8 | 6-5179230-9 | 7-5179230-0 |
| R/A | 8µ" | Tape and Reel | Yes | 3-5177986-1 | 3-5177986-2 | 3-5177986-3 | 3-5177986-4 | 3-5177986-5 | 3-5177986-6 | 3-5177986-7 | 3-5177986-8 | 3-5177986-9 | — |
| | | Tube | No | 6123002-1 | 6123002-2 | 6123002-3 | 6123002-4 | 6123002-5 | 6123002-6 | 6123002-7 | 6123002-8 | 6123002-9 | 1-6123002-0 |
| | 30µ" | Tape and Reel | Yes | 6123001-1 | 6123001-2 | 6123001-3 | 6123001-4 | 6123001-5 | 6123001-6 | 6123001-7 | 6123001-8 | 6123001-9 | — |
| | | Tube | No | — | 316229-3 | — | — | — | — | — | — | — | — |

Stack Height = [(Rcpt. Height + Plug Height) - 5]
 example: [(13H Rcpt. + 6H Plug) - 5] = [(13 + 6) - 5] = 14mm stack height
 Note: Part Numbers are RoHS compliant.

0.8mm Free Height (FH) Connectors

0.8mm Free Height Vertical Plugs, 0.8 [.031] Pitch

**5mm Plugs for 5 [.197],
9 [.354] and 13 [.512]
Stacking Heights**

Material and Finish

Housing — High temperature thermo-plastic, natural color, 94V-0 rated

Contacts — Brass; duplex plated 0.00020 [.000008] min. gold on contact area, 0.00100 [.000039] min. tin on solder area, with entire contact underplated 0.00130 [.000051] min. nickel

Related Product Data

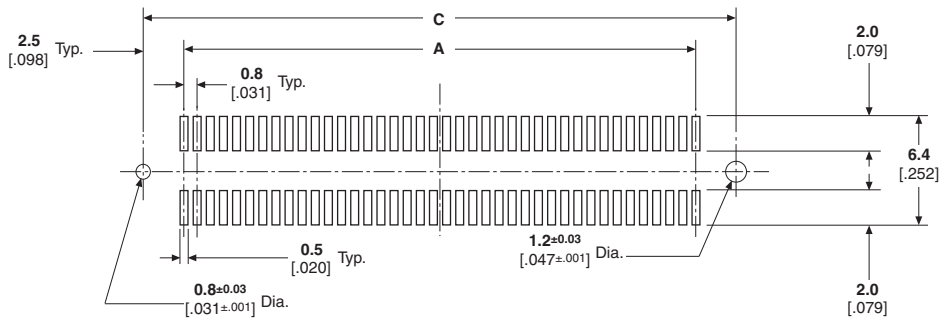
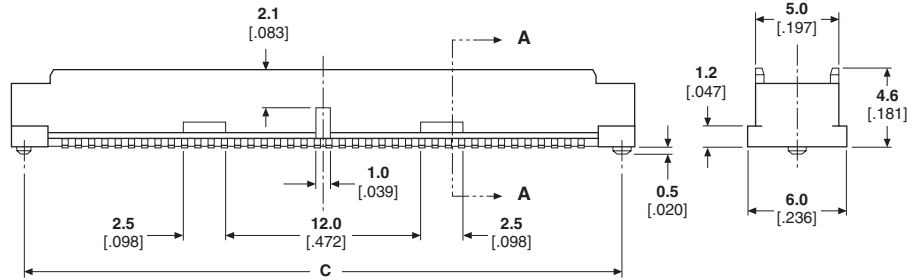
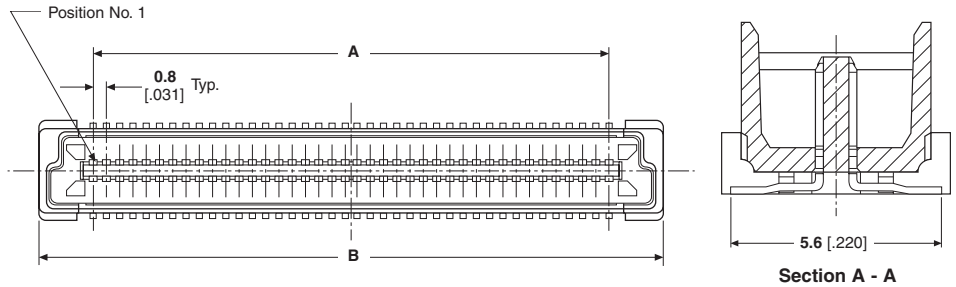
Performance Characteristics — page 71

Stacking Height Combinations — page 72

Mating Receptacles — pages 78 thru 80

Technical Documents (page 113)

Product Specification
108-5390



Recommended PC Board Layout

| Dimensions | | | No. of Positions | Plating Type | Part Numbers | | |
|-----------------------|-----------------------|-----------------------|------------------|-------------------|----------------------------|--------------------|--------------------------|
| A | B | C | | | Tube | Tube w/ Pickup Cap | Tape and Reel |
| 15.20 .598 | 21.80 .858 | 20.20 .795 | 40 | 8µ" Au 30µ" Au | 5177984-1 5084614-1 | 5179230-1 — | 5177986-1 5-5177986-1 |
| 23.20 .913 | 29.80 1.173 | 28.20 1.110 | 60 | 8µ" Au 30µ" Au | 5177984-2 5084614-2 | 5179230-2 — | 5177986-2 5-5177986-2 |
| 31.20 1.228 | 37.80 1.488 | 36.20 1.425 | 80 | 8µ" Au 30µ" Au | 5177984-3 5084614-3 | 5179230-3 — | 5177986-3 5-5177986-3 |
| 39.20 1.543 | 45.80 1.803 | 44.20 1.740 | 100 | 8µ" Au 30µ" Au | 5177984-4 5084614-4 | 5179230-4 — | 5177986-4 5-5177986-4 |
| 47.20 1.858 | 53.80 2.118 | 52.20 2.055 | 120 | 8µ" Au 30µ" Au | 5177984-5 5084614-5 | 5179230-5 — | 5177986-5 5-5177986-5 |
| 55.20 2.173 | 61.80 2.433 | 60.20 2.370 | 140 | 8µ" Au 30µ" Au | 5177984-6 5084614-6 | 5179230-6 — | 5177986-6 5-5177986-6 |
| 63.20 2.488 | 69.80 2.748 | 68.20 2.685 | 160 | 8µ" Au 30µ" Au | 5177984-8 5084614-8 | 5179230-8 — | 5177986-8 5-5177986-8 |
| 71.20 2.803 | 77.80 3.063 | 76.20 3.000 | 180 | 8µ" Au 30µ" Au | 5177984-9 5084614-9 | 5179230-9 — | — — |
| 79.20 3.118 | 85.80 3.378 | 84.20 3.315 | 200 | 8µ" Au 30µ" Au | 1-5177984-0 1-5084614-0 | 1-5179230-0 — | — — |

Note: Part Numbers are RoHS compliant.

0.8mm Free Height (FH) Connectors

0.8mm Free Height Vertical Plugs, 0.8 [.031] Pitch (Continued)

**6mm Plugs for 6 [.236],
10 [.394] and 14 [.551]
Stacking Heights**

Material and Finish

Housing — High temperature thermo-plastic, natural color, 94V-0 rated

Contacts — Brass; duplex plated 0.00020 [.000008] min. gold on contact area, 0.00100 [.000039] min. tin on solder area, with entire contact underplated 0.00130 [.000051] min. nickel

Related Product Data

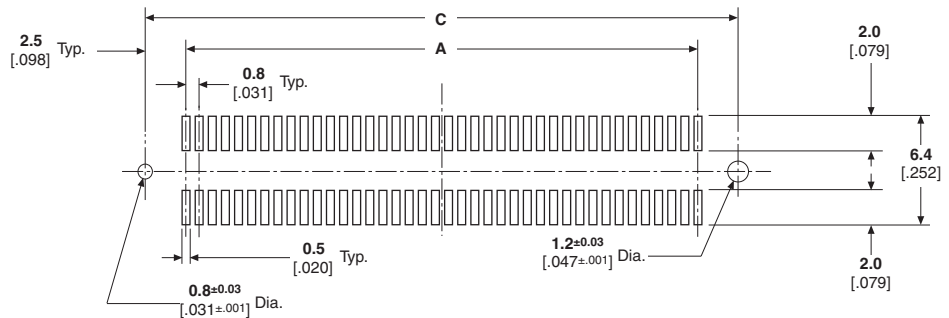
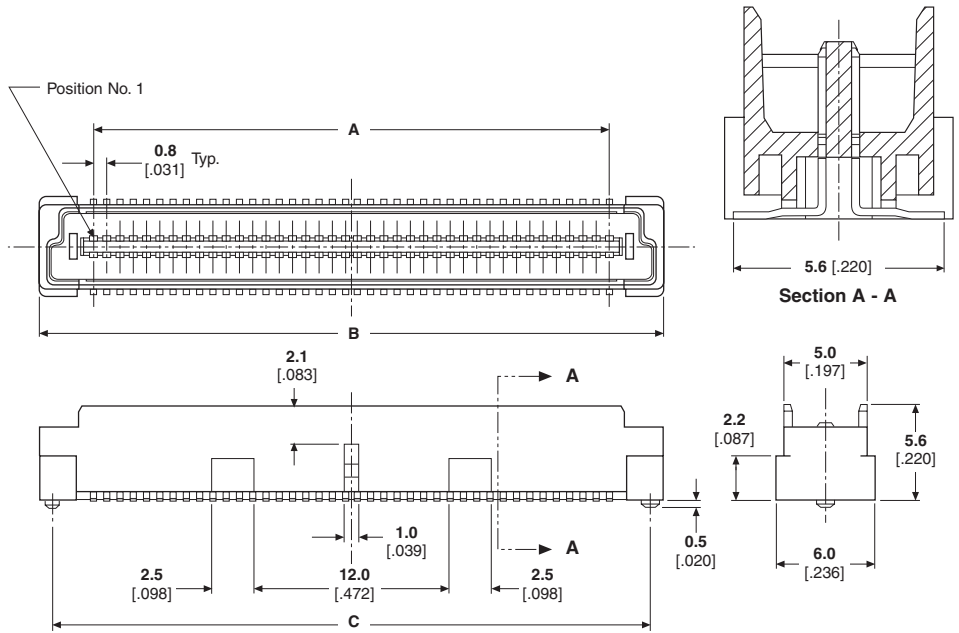
Performance Characteristics — page 71

Stacking Height Combinations — page 72

Mating Receptacles — pages 78 thru 80

Technical Documents (page 113)

Product Specification
108-5390



Recommended PC Board Layout

| Dimensions | | | No. of Positions | Plating Type | Part Numbers | | |
|----------------|----------------|----------------|------------------|-------------------|----------------------------|----------------------------|----------------------------|
| A | B | C | | | Tube | Tube w/ Pickup Cap | Tape and Reel |
| 15.20 .598 | 21.80 .858 | 20.20 .795 | 40 | 8µ" Au 30µ" Au | 5179029-1 5084615-1 | 2-5179230-1 — | 1-5177986-1 6-5177986-1 |
| 23.20 .913 | 29.80 1.173 | 28.20 1.110 | 60 | 8µ" Au 30µ" Au | 5179029-2 5084615-2 | 2-5179230-2 — | 1-5177986-2 6-5177986-2 |
| 31.20 1.228 | 37.80 1.488 | 36.20 1.425 | 80 | 8µ" Au 30µ" Au | 5179029-3 5084615-3 | 2-5179230-3 — | 1-5177986-3 6-5177986-3 |
| 39.20 1.543 | 45.80 1.803 | 44.20 1.740 | 100 | 8µ" Au 30µ" Au | 5179029-4 5084615-4 | 2-5179230-4 — | 1-5177986-4 6-5177986-4 |
| 47.20 1.858 | 53.80 2.118 | 52.20 2.055 | 120 | 8µ" Au 30µ" Au | 5179029-5 5084615-5 | 2-5179230-5 — | 1-5177986-5 6-5177986-5 |
| 55.20 2.173 | 61.80 2.433 | 60.20 2.370 | 140 | 8µ" Au 30µ" Au | 5179029-6 5084615-6 | 2-5179230-6 — | 1-5177986-6 6-5177986-6 |
| 63.20 2.488 | 69.80 2.748 | 68.20 2.685 | 160 | 8µ" Au 30µ" Au | 5179029-8 5084615-8 | 2-5179230-8 1-5084615-8 | — — |
| 71.20 2.803 | 77.80 3.063 | 76.20 3.000 | 180 | 8µ" Au 30µ" Au | 5179029-9 5084615-9 | 2-5179230-9 1-5084615-9 | — — |
| 79.20 3.118 | 85.80 3.378 | 84.20 3.315 | 200 | 8µ" Au 30µ" Au | 1-5179029-0 1-5084615-9 | 3-5179230-0 2-5084615-0 | — — |

Note: Part Numbers are RoHS compliant.

0.8mm Free Height Vertical Plugs, 0.8 [.031] Pitch (Continued)

7mm Plugs for 7 [.276],
11 [.433] and 15 [.591]
Stacking Heights

Material and Finish

Housing — High temperature thermo-
plastic, natural color, 94V-0 rated

Contacts — Brass; duplex plated
0.00020 [.000008] min. gold on contact
area, 0.00100 [.000039] min. tin on sol-
der area, with entire contact underplated
0.00130 [.000051] min. nickel

Related Product Data

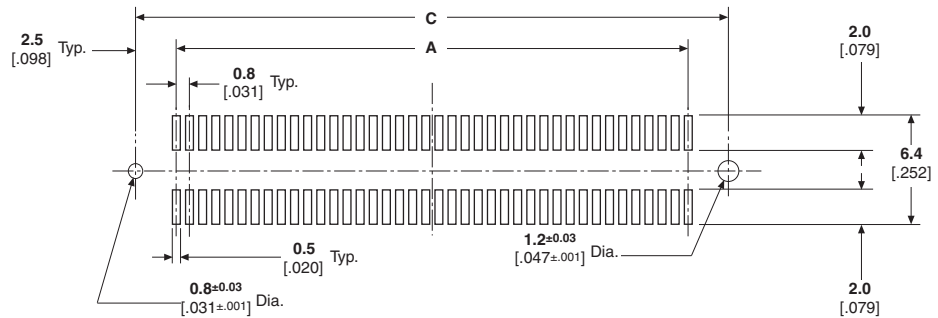
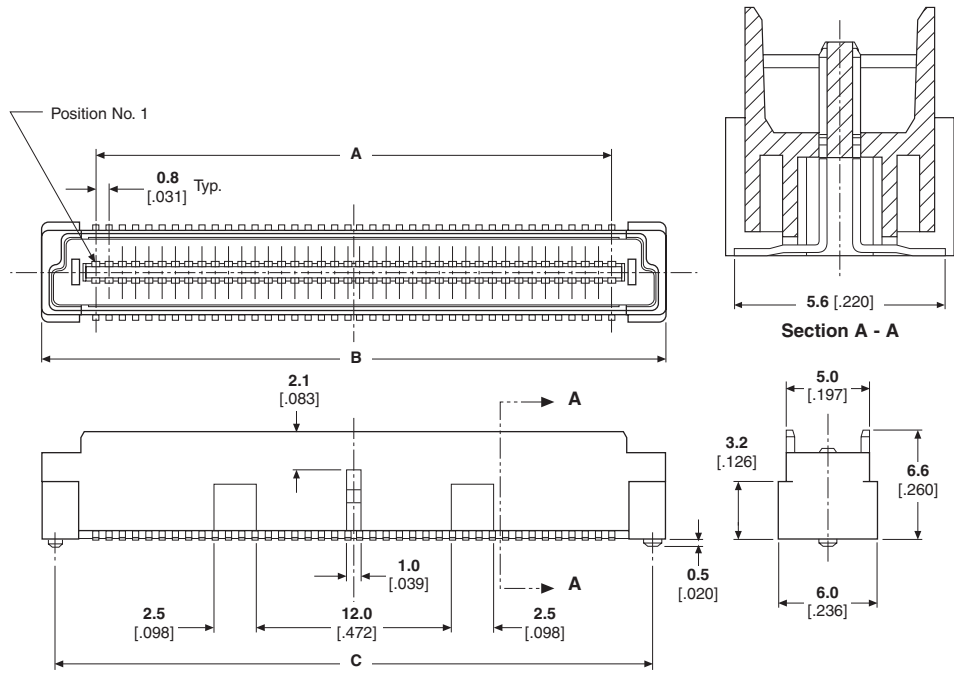
Performance Characteristics —
page 71

Stacking Height Combinations —
page 72

Mating Receptacles — pages 78
thru 80

Technical Documents (page 113)

Product Specification
108-5390



Recommended PC Board Layout

| Dimensions | | | No. of Positions | Plating Type | Part Numbers | | |
|----------------|----------------|----------------|------------------|--------------|--------------|--------------------|---------------|
| A | B | C | | | Tube | Tube w/ Pickup Cap | Tape and Reel |
| 15.20 .598 | 21.80 .858 | 20.20 .795 | 40 | 8µ" Au | 5179030-1 | 4-5179230-1 | 2-5177986-1 |
| | | | | 30µ" Au | 1-5179030-1 | 2-5179030-1 | — |
| 23.20 .913 | 29.80 1.173 | 28.20 1.110 | 60 | 8µ" Au | 5179030-2 | 4-5179230-2 | 2-5177986-2 |
| | | | | 30µ" Au | 1-5179030-2 | 2-5179030-2 | — |
| 31.20 1.228 | 37.80 1.488 | 36.20 1.425 | 80 | 8µ" Au | 5179030-3 | 4-5179230-3 | 2-5177986-3 |
| | | | | 30µ" Au | 1-5179030-3 | 2-5179030-3 | — |
| 39.20 1.543 | 45.80 1.803 | 44.20 1.740 | 100 | 8µ" Au | 5179030-4 | 4-5179230-4 | 2-5177986-4 |
| | | | | 30µ" Au | 1-5179030-4 | 2-5179030-4 | — |
| 47.20 1.858 | 53.80 2.118 | 52.20 2.055 | 120 | 8µ" Au | 5179030-5 | 4-5179230-5 | 2-5177986-5 |
| | | | | 30µ" Au | 1-5179030-5 | 2-5179030-5 | — |
| 55.20 2.173 | 61.80 2.433 | 60.20 2.370 | 140 | 8µ" Au | 5179030-6 | 4-5179230-6 | 2-5177986-6 |
| | | | | 30µ" Au | 1-5179030-6 | 2-5179030-6 | — |
| 63.20 2.488 | 69.80 2.748 | 68.20 2.685 | 160 | 8µ" Au | 5179030-8 | 4-5179230-8 | 2-5177986-8 |
| | | | | 30µ" Au | 1-5179030-8 | 2-5179030-8 | — |
| 71.20 2.803 | 77.80 3.063 | 76.20 3.000 | 180 | 8µ" Au | 5179030-9 | 4-5179230-9 | 2-5177986-9 |
| | | | | 30µ" Au | 1-5179030-9 | 2-5179030-9 | — |
| 79.20 3.118 | 85.80 3.378 | 84.20 3.315 | 200 | 8µ" Au | 1-5179030-0 | 5-5179230-0 | 3-5177986-0 |
| | | | | 30µ" Au | 2-5179030-0 | 3-5179030-0 | — |

Note: Part Numbers are RoHS compliant.

0.8mm Free Height (FH)
Connectors

0.8mm Free Height Vertical Plugs, 0.8 [.031] Pitch (Continued)

**8mm Plugs for 8 [.315],
12 [.472] and 16 [.630]
Stacking Heights**

Material and Finish

Housing — High temperature thermo-
plastic, natural color, 94V-0 rated

Contacts — Brass; duplex plated
0.00020 [.000008] min. gold on contact
area, 0.00100 [.000039] min. tin on sol-
der area, with entire contact underplated
0.00130 [.000051] min. nickel

Related Product Data

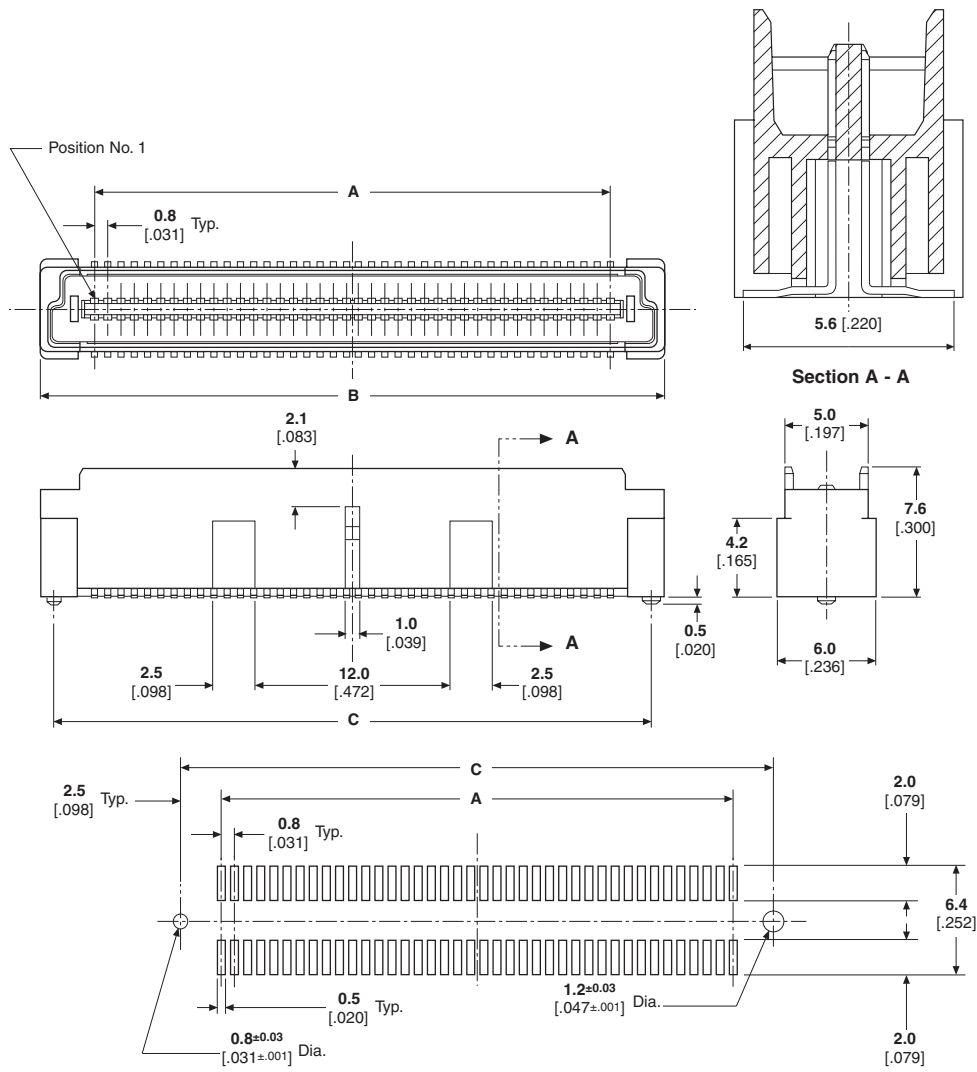
Performance Characteristics —
page 71

Stacking Height Combinations —
page 72

Mating Receptacles — pages 78
thru 80

Technical Documents (page 113)

Product Specification
108-5390



Recommended PC Board Layout

| Dimensions | | | No. of Positions | Plating Type | Part Numbers | | |
|-----------------------|-----------------------|-----------------------|------------------|-------------------|----------------------------|--------------------|--------------------------|
| A | B | C | | | Tube | Tube w/ Pickup Cap | Tape and Reel |
| 15.20 .598 | 21.80 .858 | 20.20 .795 | 40 | 8µ" Au 30µ" Au | 5179031-1 6123002-1 | 6-5179230-1 — | 3-5177986-1 6123001-1 |
| 23.20 .913 | 29.80 1.173 | 28.20 1.110 | 60 | 8µ" Au 30µ" Au | 5179031-2 6123002-2 | 6-5179230-2 — | 3-5177986-2 6123001-2 |
| 31.20 1.228 | 37.80 1.488 | 36.20 1.425 | 80 | 8µ" Au 30µ" Au | 5179031-3 6123002-3 | 6-5179230-3 — | 3-5177986-3 6123001-3 |
| 39.20 1.543 | 45.80 1.803 | 44.20 1.740 | 100 | 8µ" Au 30µ" Au | 5179031-4 6123002-4 | 6-5179230-4 — | 3-5177986-4 6123001-4 |
| 47.20 1.858 | 53.80 2.118 | 52.20 2.055 | 120 | 8µ" Au 30µ" Au | 5179031-5 6123002-5 | 6-5179230-5 — | 3-5177986-5 6123001-5 |
| 55.20 2.173 | 61.80 2.433 | 60.20 2.370 | 140 | 8µ" Au 30µ" Au | 5179031-6 6123002-6 | 6-5179230-6 — | 3-5177986-6 6123001-6 |
| 63.20 2.488 | 69.80 2.748 | 68.20 2.685 | 160 | 8µ" Au 30µ" Au | 5179031-8 6123002-8 | 6-5179230-8 — | 3-5177986-8 6123001-8 |
| 71.20 2.803 | 77.80 3.063 | 76.20 3.000 | 180 | 8µ" Au 30µ" Au | 5179031-9 6123002-9 | 6-5179230-9 — | 3-5177986-9 6123001-9 |
| 79.20 3.118 | 85.80 3.378 | 84.20 3.315 | 200 | 8µ" Au 30µ" Au | 1-5179031-0 1-6123002-0 | 7-5179230-0 — | — — |

Note: Part Numbers are RoHS compliant.

0.8mm Free Height Vertical Plugs, 0.8 [.031] Pitch (Continued)

**5mm Receptacles for
5 [.197], 6 [.236],
7 [.276] and 8 [.315]
Stacking Heights**

Material and Finish

Housing — High temperature thermo-plastic, natural color, 94V-0 rated

Contacts — Beryllium copper; duplex plated 0.00020 [.000008] min. gold on contact area, 0.00100 [.000039] min. tin on solder area, with entire contact underplated 0.00130 [.000051] min. nickel

Related Product Data

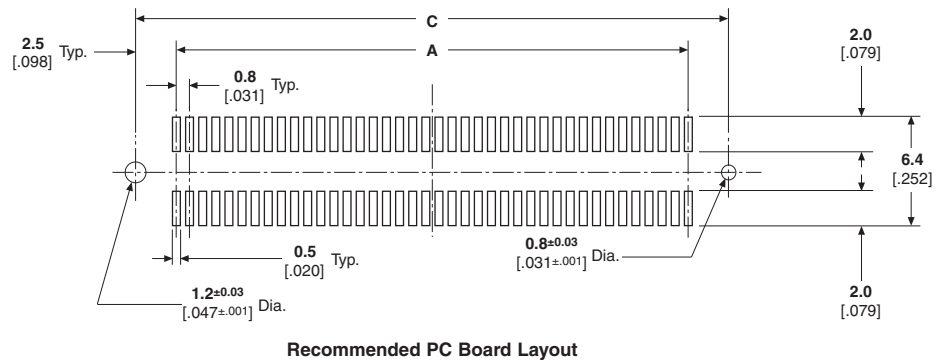
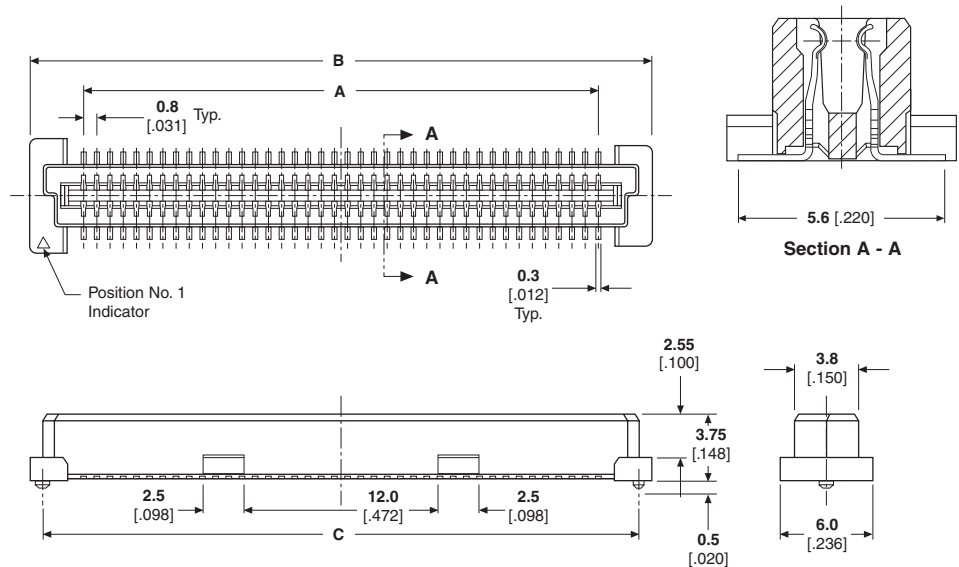
Performance Characteristics — page 71

Stacking Height Combinations — page 72

Mating Plugs — pages 74 thru 77, and 81

Technical Documents (page 113)

Product Specification
108-5390



| Dimensions | | | No. of Positions | Plating Type | Part Numbers | | |
|----------------|----------------|----------------|------------------|-------------------|----------------------------|--------------------|------------------------|
| A | B | C | | | Tube | Tube w/ Pickup Cap | Tape and Reel |
| 15.20 .598 | 21.80 .858 | 20.20 .795 | 40 | 8µ" Au 30µ" Au | 5177983-1 6123000-1 | 5179229-1 — | 5177985-1 5353999-1 |
| 23.20 .913 | 29.80 1.173 | 28.20 1.110 | 60 | 8µ" Au 30µ" Au | 5177983-2 6123000-2 | 5179229-2 — | 5177985-2 5353999-2 |
| 31.20 1.228 | 37.80 1.488 | 36.20 1.425 | 80 | 8µ" Au 30µ" Au | 5177983-3 6123000-3 | 5179229-3 — | 5177985-3 5353999-3 |
| 39.20 1.543 | 45.80 1.803 | 44.20 1.740 | 100 | 8µ" Au 30µ" Au | 5177983-4 6123000-4 | 5179229-4 — | 5177985-4 5353999-4 |
| 47.20 1.858 | 53.80 2.118 | 52.20 2.055 | 120 | 8µ" Au 30µ" Au | 5177983-5 6123000-5 | 5179229-5 — | 5177985-5 5353999-5 |
| 55.20 2.173 | 61.80 2.433 | 60.20 2.370 | 140 | 8µ" Au 30µ" Au | 5177983-6 6123000-6 | 5179229-6 — | 5177985-6 5353999-6 |
| 63.20 2.488 | 69.80 2.748 | 68.20 2.685 | 160 | 8µ" Au 30µ" Au | 5177983-8 6123000-8 | 5179229-8 — | 5177985-8 5353999-8 |
| 71.20 2.803 | 77.80 3.063 | 76.20 3.000 | 180 | 8µ" Au 30µ" Au | 5177983-9 6123000-9 | 5179229-9 — | — — |
| 79.20 3.118 | 85.80 3.378 | 84.20 3.315 | 200 | 8µ" Au 30µ" Au | 1-5177983-0 1-6123000-0 | 1-5179229-0 — | — — |

Note: Part Numbers are RoHS compliant.

0.8mm Free Height (FH) Connectors

0.8mm Free Height Vertical Plugs, 0.8 [.031] Pitch (Continued)

**9mm Receptacles for
9 [.354]. 10 [.394],
11 [.433] and 12 [.472]
Stacking Heights**

Material and Finish

Housing — High temperature thermo-plastic, natural color, 94V-0 rated

Contacts — Beryllium copper; duplex plated 0.00020 [.000008] min. gold on contact area, 0.00100 [.000039] min. tin on solder area, with entire contact underplated 0.00130 [.000051] min. nickel

Related Product Data

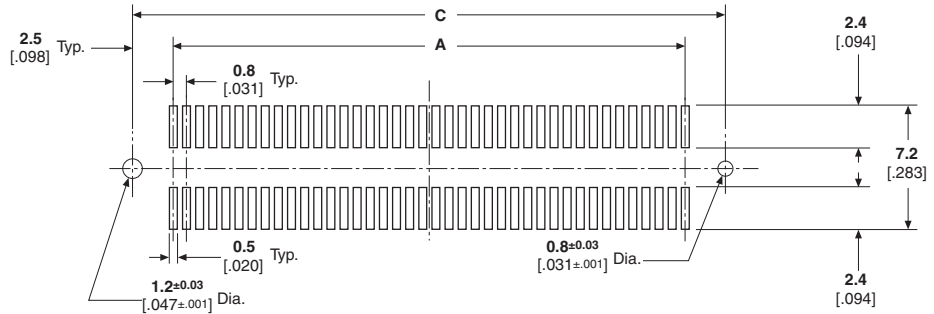
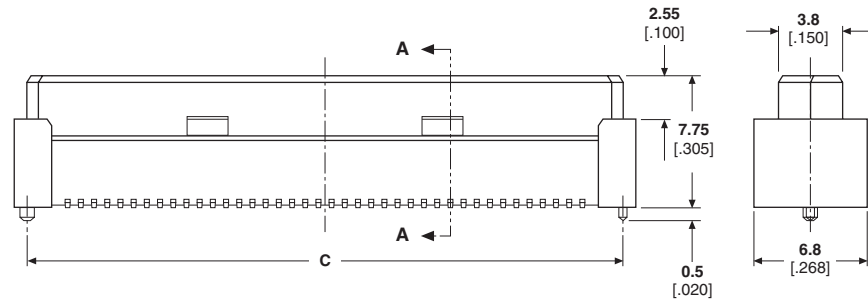
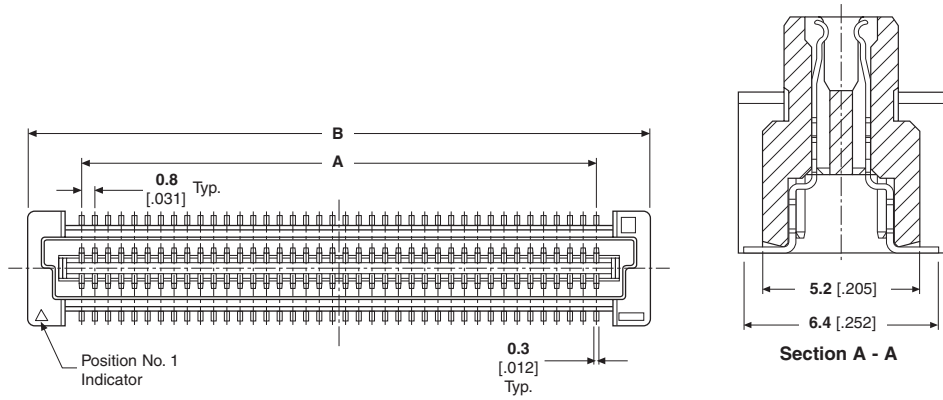
Performance Characteristics — page 71

Stacking Height Combinations — page 72

Mating Plugs — pages 74 thru 77, and 81

Technical Documents (page 113)

Product Specification
108-5390



Recommended PC Board Layout

| Dimensions | | | No. of Positions | Plating Type | Part Numbers | | |
|----------------|----------------|----------------|------------------|-------------------|----------------------------|--------------------|----------------------------|
| A | B | C | | | Tube | Tube w/ Pickup Cap | Tape and Reel |
| 15.20 .598 | 21.80 .858 | 20.20 .795 | 40 | 8µ" Au 30µ" Au | 5-5179009-1 5084613-1 | — — | 5-5179180-1 7-5179180-1 |
| 23.20 .913 | 29.80 1.173 | 28.20 1.110 | 60 | 8µ" Au 30µ" Au | 5-5179009-2 5084613-2 | 5-5179232-2 — | 5-5179180-2 7-5179180-2 |
| 31.20 1.228 | 37.80 1.488 | 36.20 1.425 | 80 | 8µ" Au 30µ" Au | 5-5179009-3 5084613-3 | 5-5179232-3 — | 5-5179180-3 7-5179180-3 |
| 39.20 1.543 | 45.80 1.803 | 44.20 1.740 | 100 | 8µ" Au 30µ" Au | 5-5179009-4 5084613-4 | 5-5179232-4 — | 5-5179180-4 7-5179180-4 |
| 47.20 1.858 | 53.80 2.118 | 52.20 2.055 | 120 | 8µ" Au 30µ" Au | 5-5179009-5 5084613-5 | 5-5179232-5 — | 5-5179180-5 7-5179180-5 |
| 55.20 2.173 | 61.80 2.433 | 60.20 2.370 | 140 | 8µ" Au 30µ" Au | 5-5179009-6 5084613-6 | 5-5179232-6 — | 5-5179180-6 7-5179180-6 |
| 63.20 2.488 | 69.80 2.748 | 68.20 2.685 | 160 | 8µ" Au 30µ" Au | 5-5179009-8 5084613-8 | 5-5179232-8 — | — — |
| 71.20 2.803 | 77.80 3.063 | 76.20 3.000 | 180 | 8µ" Au 30µ" Au | 5-5179009-9 5084613-9 | 5-5179232-9 — | — — |
| 79.20 3.118 | 85.80 3.378 | 84.20 3.315 | 200 | 8µ" Au 30µ" Au | 6-5179009-0 1-5084613-0 | 6-5179232-0 — | — — |

Note: Part Numbers are RoHS compliant.

0.8mm Free Height Vertical Plugs, 0.8 [.031] Pitch (Continued)

13mm Receptacles for 13 [.512], 14 [.551], 15 [.591] and 16 [.630] Stacking Heights

Material and Finish

Housing — High temperature thermo-plastic, natural color, 94V-0 rated

Contacts — Beryllium copper; duplex plated 0.00020 [.000008] min. gold on contact area, 0.00100 [.000039] min. tin on solder area, with entire contact underplated 0.00130 [.000051] min. nickel

Related Product Data

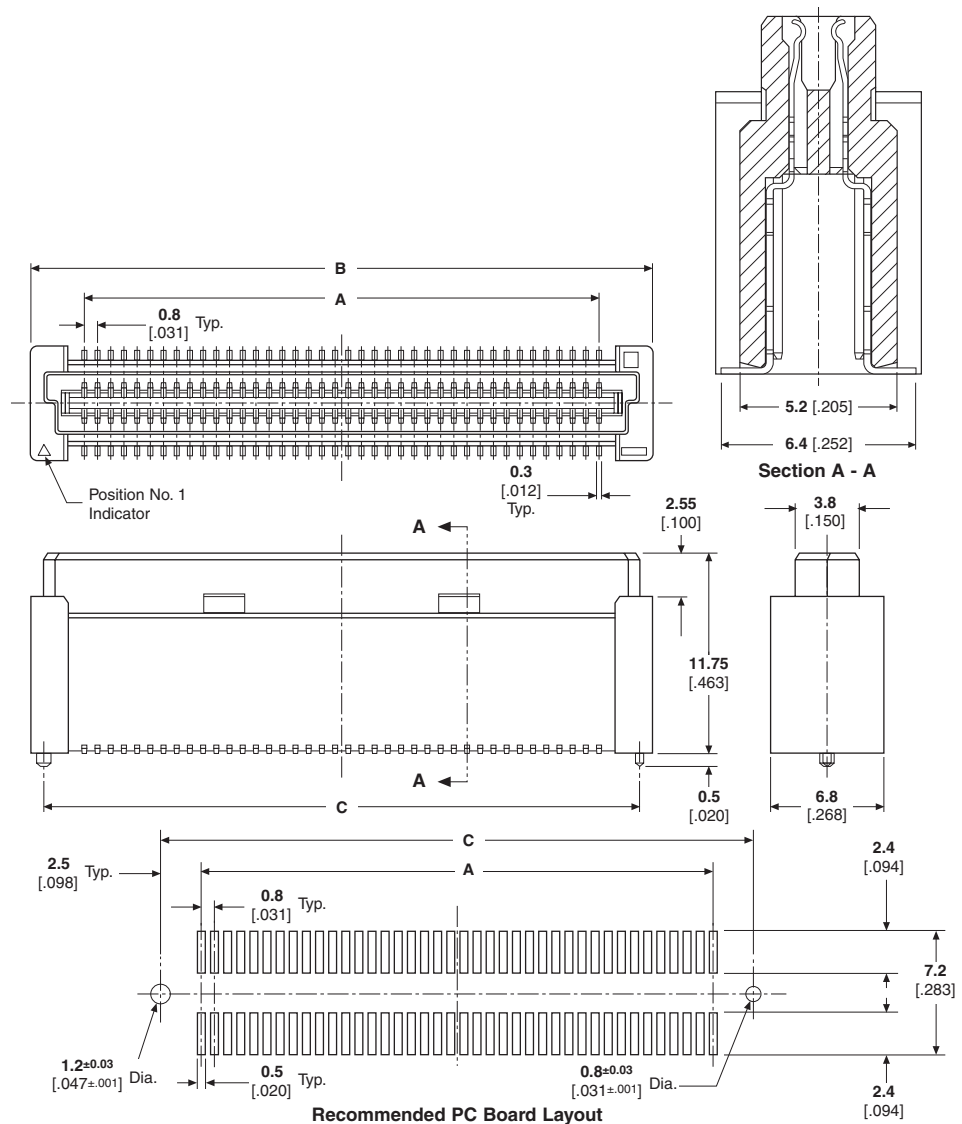
Performance Characteristics — page 71

Stacking Height Combinations — page 72

Mating Plugs — pages 74 thru 77, and 81

Technical Documents (page 113)

Product Specification
108-5390



Recommended PC Board Layout

| Dimensions | | | No. of Positions | Plating Type | Part Numbers | | |
|-----------------------|-----------------------|-----------------------|------------------|-------------------|----------------------------|----------------------------|------------------------|
| A | B | C | | | Tube | Tube w/ Pickup Cap | Tape and Reel |
| 15.20 .598 | 21.80 .858 | 20.20 .795 | 40 | 8µ" Au 30µ" Au | 5-5179010-1 5-6123212-1 | 5-5179233-1 — | 5084616-1 5084618-1 |
| 23.20 .913 | 29.80 1.173 | 28.20 1.110 | 60 | 8µ" Au 30µ" Au | 5-5179010-2 5-6123212-2 | 5-5179233-2 — | 5084616-2 5084618-2 |
| 31.20 1.228 | 37.80 1.488 | 36.20 1.425 | 80 | 8µ" Au 30µ" Au | 5-5179010-3 5-6123212-3 | 5-5179233-3 — | 5084616-3 5084618-3 |
| 39.20 1.543 | 45.80 1.803 | 44.20 1.740 | 100 | 8µ" Au 30µ" Au | 5-5179010-4 5-6123212-4 | 5-5179233-4 — | 5084616-4 5084618-4 |
| 47.20 1.858 | 53.80 2.118 | 52.20 2.055 | 120 | 8µ" Au 30µ" Au | 5-5179010-5 5-6123212-5 | 5-5179233-5 — | 5084616-5 5084618-5 |
| 55.20 2.173 | 61.80 2.433 | 60.20 2.370 | 140 | 8µ" Au 30µ" Au | 5-5179010-6 5-6123212-6 | 5-5179233-6 — | 5084616-6 5084618-6 |
| 63.20 2.488 | 69.80 2.748 | 68.20 2.685 | 160 | 8µ" Au 30µ" Au | 5-5179010-8 5-6123212-8 | 5-5179233-8 — | 5084616-8 5084618-8 |
| 71.20 2.803 | 77.80 3.063 | 76.20 3.000 | 180 | 8µ" Au 30µ" Au | 5-5179010-9 5-6123212-9 | 5-5179233-9 — | 5084616-9 5084618-9 |
| 79.20 3.118 | 85.80 3.378 | 84.20 3.315 | 200 | 8µ" Au 30µ" Au | 6-5179010-0 6-6123212-0 | 6-5179233-0 7-6123212-0 | — — |

Note: Part Numbers are RoHS compliant.

0.8mm Free Height (FH) Connectors

0.8mm Free Height Right Angle Plugs, 0.8 [.031] Pitch

**8mm Plugs for 5 [.197],
9 [.354] and 13 [.512]
Stacking Heights**

Material and Finish

Housing — High temperature thermo-plastic, natural color, 94V-0 rated

Contacts — Brass; duplex plated 0.00020 [.000008] min. gold on contact area, 0.00100 [.000039] min. tin on solder area, with entire contact underplated 0.00130 [.000051] min. nickel

Related Product Data

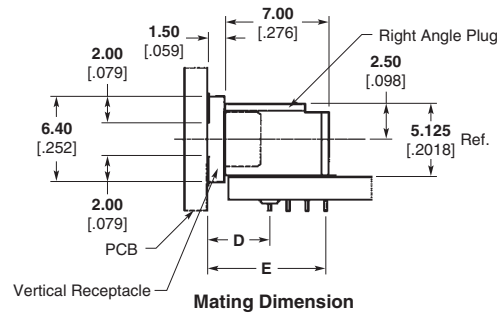
Performance Characteristics — page 71

Stacking Height Combinations — page 72

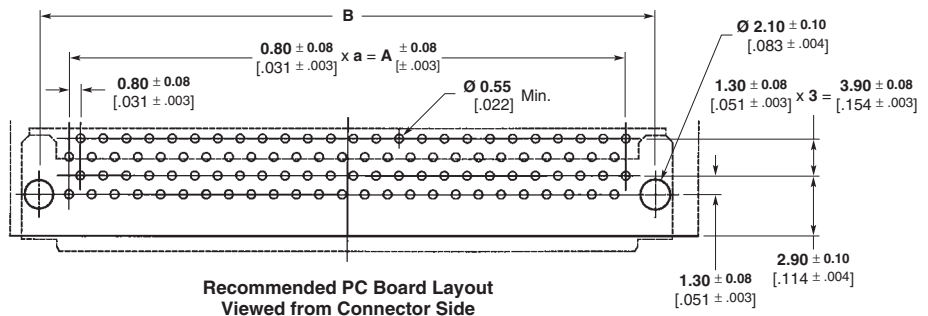
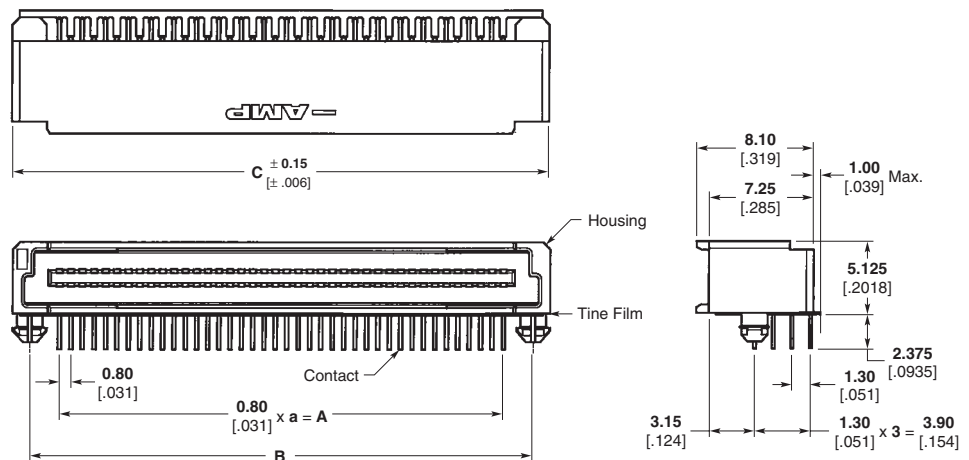
Mating Receptacles — pages 78 thru 80

Technical Documents (page 113)

Product Specification
108-5390



| Receptacle Height | Dimension | |
|-------------------|---------------|---------------|
| | D | E |
| 5.00 .197 | 4.40 .173 | 8.30 .327 |
| 9.00 .354 | 8.40 .331 | 12.30 .484 |
| 13.00 .512 | 12.40 .488 | 16.30 .642 |

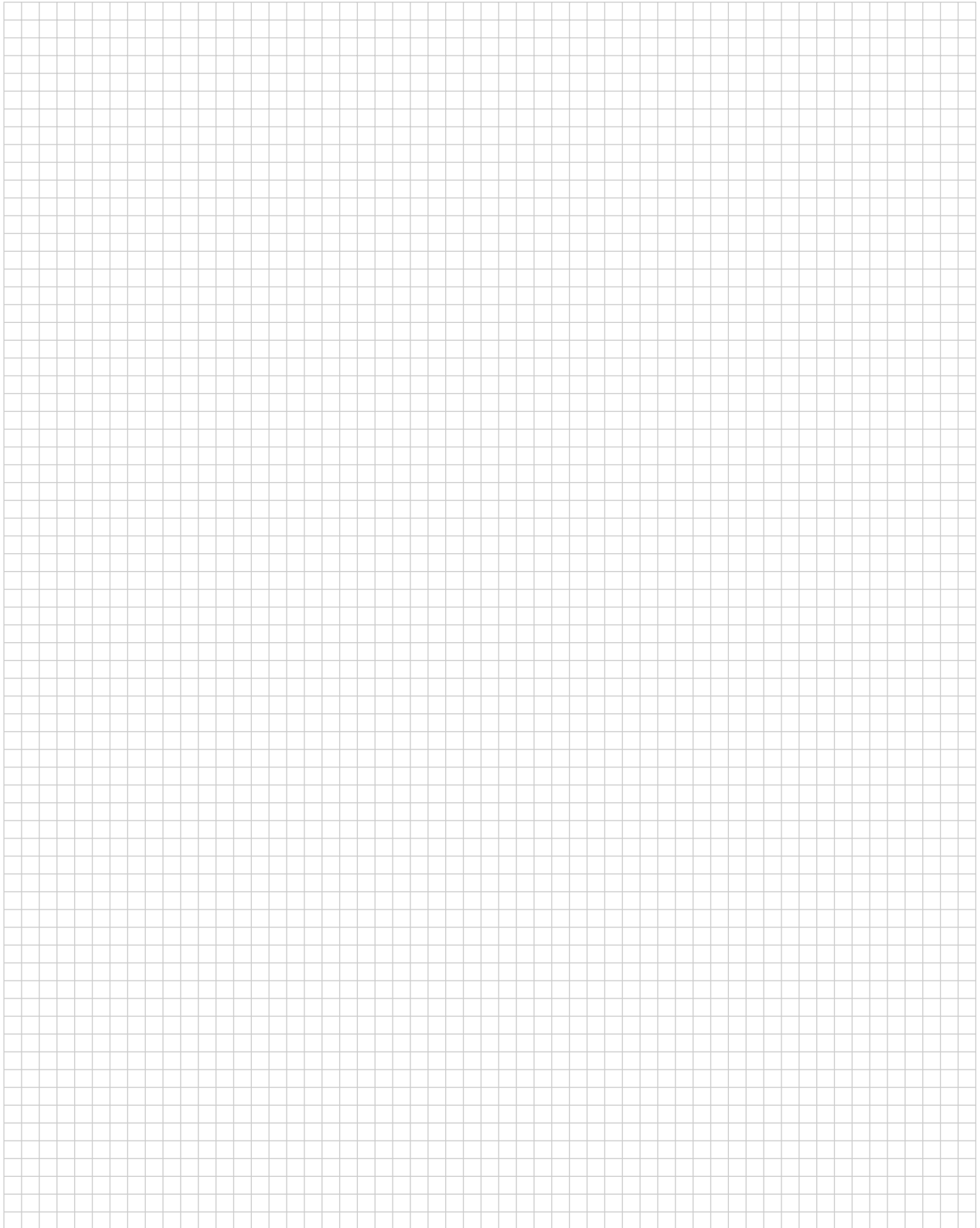


| Dimension | | | | No. of Positions | Part Number |
|----------------|----------------|----------------|----|------------------|-------------|
| A | B | C | a | | |
| 23.20 .913 | 27.40 1.079 | 29.80 1.173 | 29 | 60 | 316229-2 |
| 31.20 1.228 | 35.40 1.394 | 37.80 1.488 | 39 | 80 | 316229-3 |

Note: Part Numbers are RoHS compliant.

0.8mm Free Height (FH) Connectors

Engineering Notes



Компания «Life Electronics» занимается поставками электронных компонентов импортного и отечественного производства от производителей и со складов крупных дистрибьюторов Европы, Америки и Азии.

С конца 2013 года компания активно расширяет линейку поставок компонентов по направлению коаксиальный кабель, кварцевые генераторы и конденсаторы (керамические, пленочные, электролитические), за счёт заключения дистрибьюторских договоров

Мы предлагаем:

- Конкурентоспособные цены и скидки постоянным клиентам.
- Специальные условия для постоянных клиентов.
- Подбор аналогов.
- Поставку компонентов в любых объемах, удовлетворяющих вашим потребностям.
- Приемлемые сроки поставки, возможна ускоренная поставка.
- Доставку товара в любую точку России и стран СНГ.
- Комплексную поставку.
- Работу по проектам и поставку образцов.
- Формирование склада под заказчика.
- Сертификаты соответствия на поставляемую продукцию (по желанию клиента).
- Тестирование поставляемой продукции.
- Поставку компонентов, требующих военную и космическую приемку.
- Входной контроль качества.
- Наличие сертификата ISO.

В составе нашей компании организован Конструкторский отдел, призванный помогать разработчикам, и инженерам.

Конструкторский отдел помогает осуществить:

- Регистрацию проекта у производителя компонентов.
- Техническую поддержку проекта.
- Защиту от снятия компонента с производства.
- Оценку стоимости проекта по компонентам.
- Изготовление тестовой платы монтаж и пусконаладочные работы.



Тел: +7 (812) 336 43 04 (многоканальный)
Email: org@lifeelectronics.ru