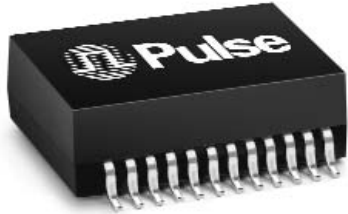


# 10/100BASE-T SINGLE PORT, SMT TRANSFORMER

For Fast Ethernet to Gigabit Ethernet  
Interchangeable Designs



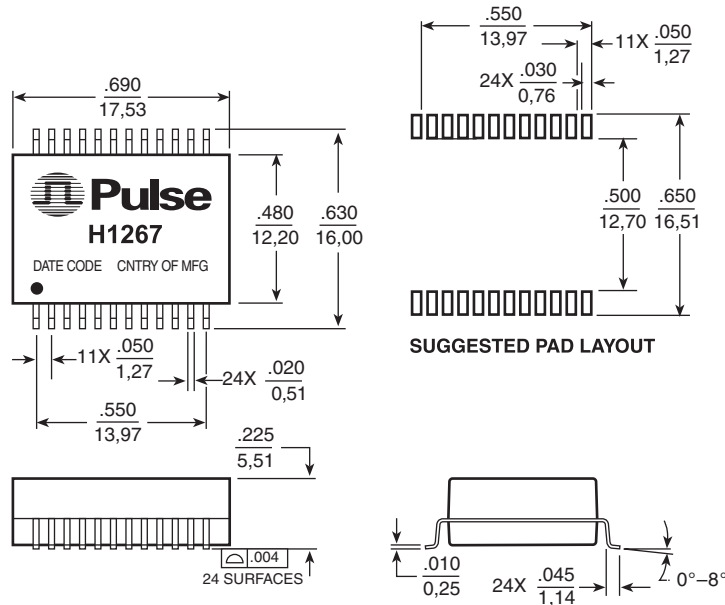
- Meets IEEE802.3 and ANSI X3.263 standards, including 350  $\mu$ H OCL with 8 mA DC bias
- Pin-compatible to Pulse Gigabit Ethernet part numbers H5004 and H5007

## Electrical Specifications @ 25°C — Operating Temperature 0°C to +70°C

Part Number	Turns Ratio ( $\pm 5\%$ )		Insertion Loss (dB MAX) 100 kHz-100 MHz	Return Loss (dB MIN)			Crosstalk (dB MIN)			Differential to Common Mode Rejection (db MIN)			Hipot (Vrms MIN)
	Receive	Transmit		30 MHz	60 MHz	80 MHz	30 MHz	60 MHz	80 MHz	30 MHz	60 MHz	100 MHz	
H1267	1CT:1CT	1CT:1CT	-1.0	-16	-12	-12	-40	-40	-35	-42	-37	-33	1500

## Mechanical

### H1267



Dimensions:  $\frac{\text{Inches}}{\text{mm}}$

Unless otherwise specified all tolerances are  $\pm \frac{.010}{0.25}$ .

When ordering Tape & Reel packaging add the suffix "T" to the part number, such as "H1267T."

Weight ..... 2.7 grams  
Tape & Reel ..... 300/reel  
Tube ..... 25/tube

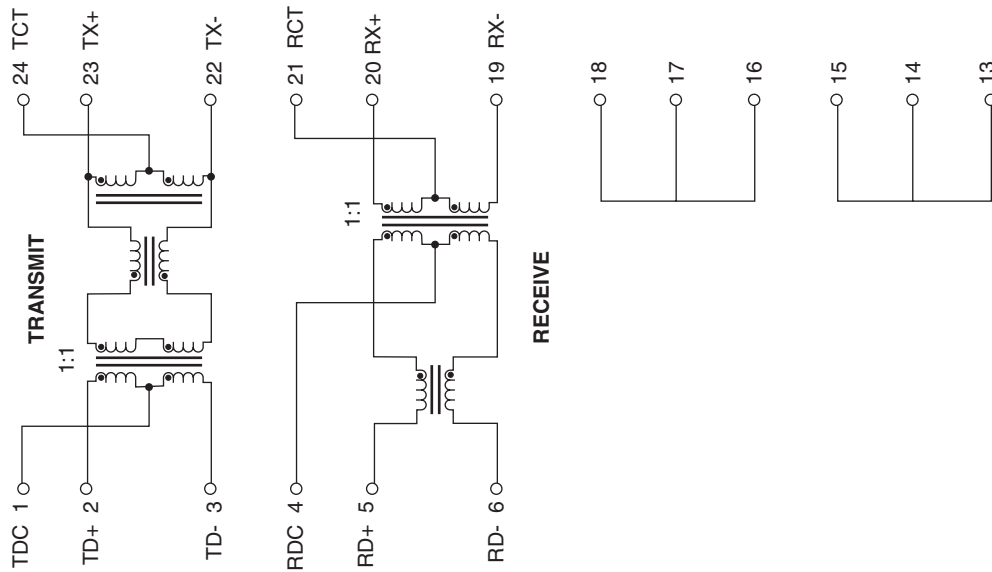
# 10/100BASE-T SINGLE PORT, SMT TRANSFORMER

## For Fast Ethernet to Gigabit Ethernet Interchangeable Designs



### Schematic

H1267



### Application Notes

The Fast Ethernet to Gigabit Ethernet interchangeable design is a design concept that allows design engineers to design a network applications board that can support both Fast Ethernet (10/100Base-T) and Gigabit Ethernet (1000Base-T) applications by simply replacing several components without having to re-design the whole board.

Two components that play a part in this design are the Ethernet silicon and the transformer. Both the silicon and the transformer for both 10/100 and gigabit must have footprint compatibility. This footprint compatibility will mean a single board layout for the interface between the Ethernet silicon and the transformer of either 10/100 or gigabit applications.

Presently, if a network design engineer wants to design a 10/100 card, he would have to choose a 10/100 transformer. If the engineer wants to design a gigabit card, he would have to choose a gigabit transformer. This leads to two different designs (board layout) for two different applications.

The objective of interchangeable design is to allow the engineer to utilize the same design (and board layout) for 10/100 and for a gigabit design (and vice versa) with minimal change as possible to the design.

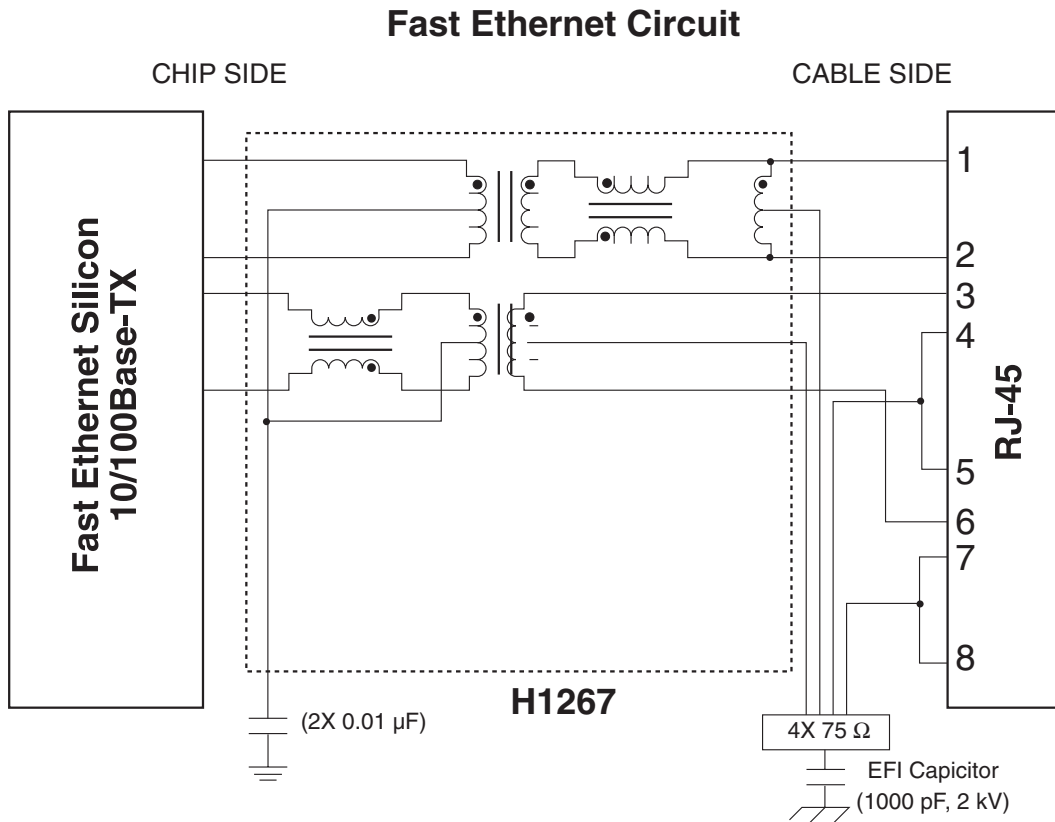
# 10/100BASE-T SINGLE PORT, SMT TRANSFORMER

For Fast Ethernet to Gigabit Ethernet  
Interchangeable Designs



## Application Circuit

**H1267**



The above circuit is a simple interface for a Fast Ethernet transformer connecting to both the Fast Ethernet silicon and the RJ-45 connector. In order to design a gigabit application, simply replace the Fast Ethernet Silicon, the Fast Ethernet transformer and the rest of the passive components with a gigabit ethernet silicon, a gigabit transformer and the rest of the passive components.

It is highly recommended that the cable side Center Taps of each transformer be terminated to  $75 \Omega$  resistors and that the four center taps be terminated to an EFI capacitor prior to ground termination.

# 10/100BASE-T SINGLE PORT, SMT TRANSFORMER

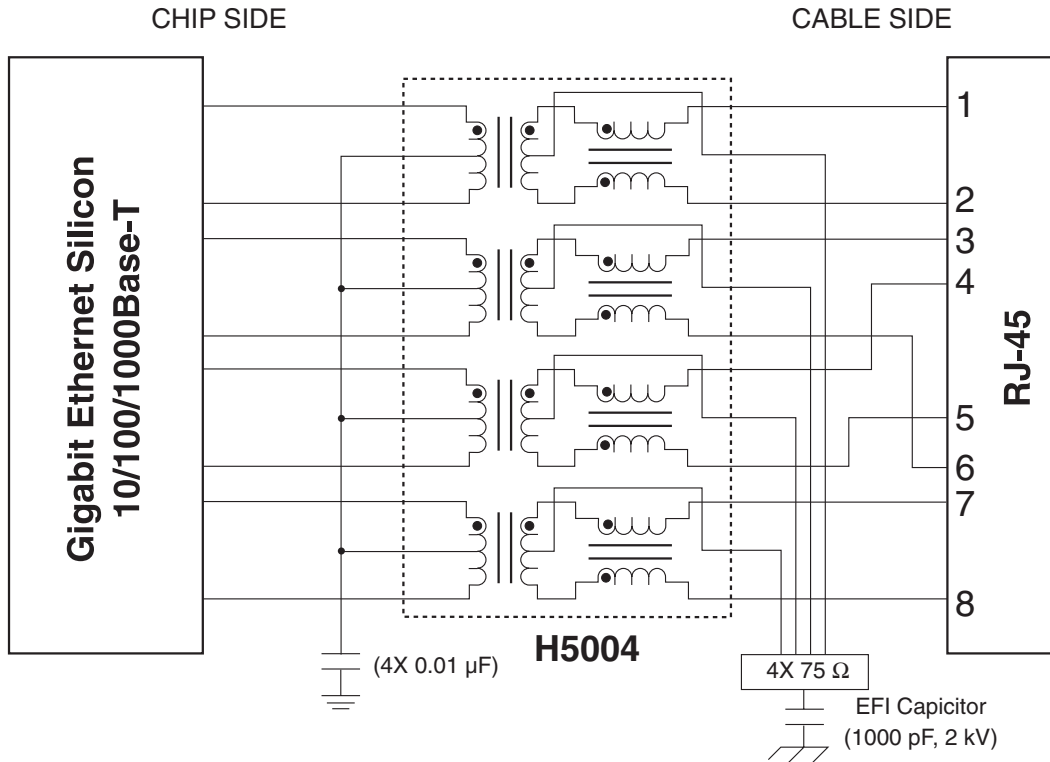
For Fast Ethernet to Gigabit Ethernet  
Interchangeable Designs



## Application Circuit

**H5004**

### Gigabit Circuit



The above circuit is a simple interface for a gigabit transformer connecting to both the Gigabit Ethernet silicon and the RJ-45 connector.

It is highly recommended that the cable side Center Taps of each transformer be terminated to 75 Ω resistors and that the four center taps be terminated to an EFI capacitor prior to ground termination.

# 10/100BASE-T SINGLE PORT, SMT TRANSFORMER

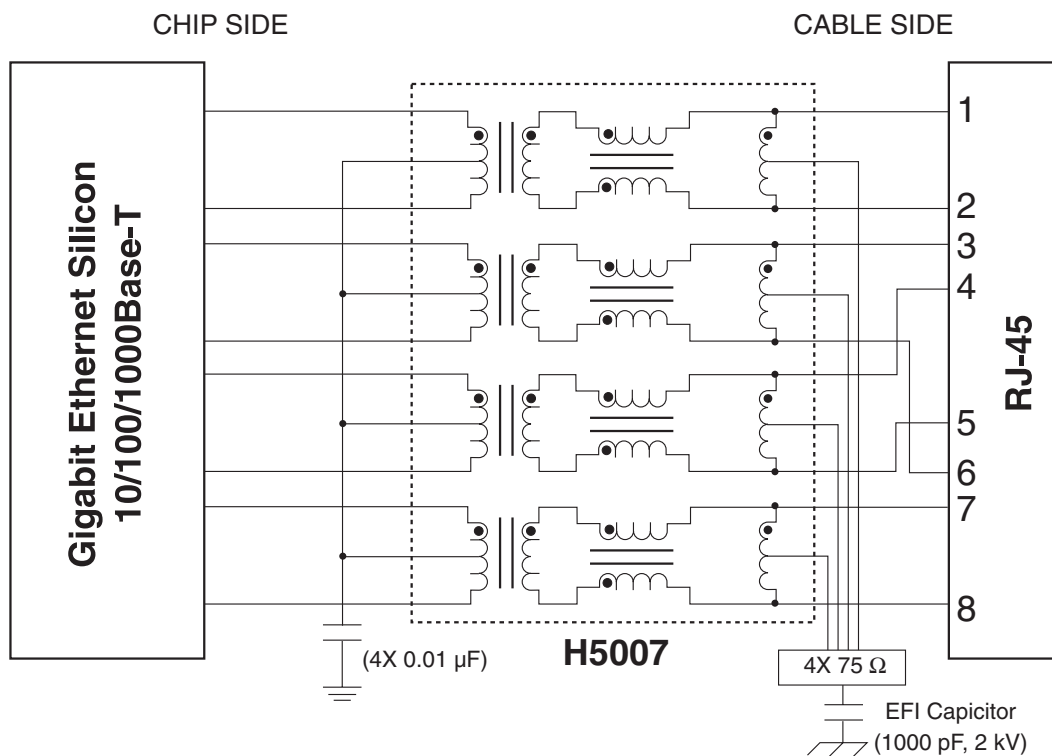
For Fast Ethernet to Gigabit Ethernet  
Interchangeable Designs



## Application Circuit

**H5007**

### Gigabit Circuit



The above circuit is a simple interface for a gigabit transformer connection to both the Gigabit Ethernet silicon and the RJ-45 connector.

It is highly recommended that the cable side Center Taps of each transformer be terminated to 75 Ω resistors and that the four center taps be terminated to an EFI capacitor prior to ground termination.

### For More Information:

#### Pulse Worldwide Headquarters

12220 World Trade Drive  
San Diego, CA 92128  
U.S.A.  
[www.pulseeng.com](http://www.pulseeng.com)  
TEL: 858 674 8100  
FAX: 858 674 8262

#### Pulse Northern Europe

3 Huxley Road  
Surrey Research Park  
Guildford, Surrey GU2 5RE  
United Kingdom  
TEL: 44 1483 401700  
FAX: 44 1483 401701

#### Pulse Southern Europe

Zone Industrielle  
F-39270  
Orgelet  
France  
TEL: 33 3 84 35 04 04  
FAX: 33 3 84 25 46 41

#### Pulse China Headquarters

No. 1  
Industrial District  
Changan, Dongguan  
China  
TEL: 86 769 5538070  
FAX: 86 769 5538870

#### Pulse North China

Room 1002  
No. 819  
Nanjing West Rd  
Shanghai  
China  
TEL: 86 21 32181071  
FAX: 86 21 32181396

#### Pulse South Asia

150 Kampong Ampat  
#07-01/02  
KA Centre  
Singapore 368324  
TEL: 65 6287 8998  
FAX: 65 6280 0080

#### Pulse North Asia

3F-4, No. 81, Sec. 1  
Hsin Tai Wu Road  
Hsi-Chih  
Taipei Hsien  
Taiwan  
TEL: 886 2 26980228  
FAX: 886 2 26980948

Performance warranty of products offered on this data sheet is limited to the parameters specified. Data is subject to change without notice. Other brand and product names mentioned herein may be trademarks or registered trademarks of their respective owners.

© Copyright, 2005. Pulse Engineering, Inc. All rights reserved.

[www.pulseeng.com](http://www.pulseeng.com)

Компания «Life Electronics» занимается поставками электронных компонентов импортного и отечественного производства от производителей и со складов крупных дистрибьюторов Европы, Америки и Азии.

С конца 2013 года компания активно расширяет линейку поставок компонентов по направлению коаксиальный кабель, кварцевые генераторы и конденсаторы (керамические, пленочные, электролитические), за счёт заключения дистрибьюторских договоров

Мы предлагаем:

- Конкурентоспособные цены и скидки постоянным клиентам.
- Специальные условия для постоянных клиентов.
- Подбор аналогов.
- Поставку компонентов в любых объемах, удовлетворяющих вашим потребностям.
- Приемлемые сроки поставки, возможна ускоренная поставка.
- Доставку товара в любую точку России и стран СНГ.
- Комплексную поставку.
- Работу по проектам и поставку образцов.
- Формирование склада под заказчика.
- Сертификаты соответствия на поставляемую продукцию (по желанию клиента).
- Тестирование поставляемой продукции.
- Поставку компонентов, требующих военную и космическую приемку.
- Входной контроль качества.
- Наличие сертификата ISO.

В составе нашей компании организован Конструкторский отдел, призванный помогать разработчикам, и инженерам.

Конструкторский отдел помогает осуществить:

- Регистрацию проекта у производителя компонентов.
- Техническую поддержку проекта.
- Защиту от снятия компонента с производства.
- Оценку стоимости проекта по компонентам.
- Изготовление тестовой платы монтаж и пусконаладочные работы.



Тел: +7 (812) 336 43 04 (многоканальный)

Email: [org@lifeelectronics.ru](mailto:org@lifeelectronics.ru)