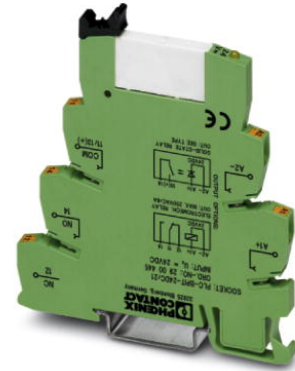


PLC-RPIT-230UC/21AU


Order No.: 2900311



<http://eshop.phoenixcontact.de/phoenix/treeViewClick.do?UID=2900311>


PLC interface, consisting of PLC-BPIT.../21 basic terminal block with Push-In connection and pluggable miniature relay with multi-layer contact, for assembly on DIN rail NS 35/7.5, 1 PDT, input voltage 230 V AC/220 V DC



| Commercial data | |
|--------------------------|---|
| GTIN (EAN) | 4 046356 509244  |
| sales group | G226 |
| Pack | 10 pcs. |
| Customs tariff | 85364900 |
| Catalog page information | Page 83 (IF-2011) |

Product notes

WEEE/RoHS-compliant since:
11/17/2009



<http://www.download.phoenixcontact.com>
Please note that the data given here has been taken from the online catalog. For comprehensive information and data, please refer to the user documentation. The General Terms and Conditions of Use apply to Internet downloads.

| Technical data | |
|-----------------------------|---------------------|
| Coil side | |
| Nominal input voltage U_N | 230 V AC (220 V DC) |
| | 220 V DC |

| | |
|-----------------------------------|-----------------------------------|
| Nominal input current at U_{IN} | 3.2 mA (at $U_N = 230$ V AC) |
| | 3 mA (at $U_N = 220$ V DC) |
| Typical response time | 7 ms |
| Typical release time | 15 ms |
| Operating voltage display | Yellow LED |
| Protective circuit | Bridge rectifier Bridge rectifier |

Contact side

| | |
|---------------------------------------|---|
| Contact type | Single contact, 1-PDT |
| Contact material | AgSnO, hard gold-plated |
| Maximum switching voltage | 30 V AC |
| | 36 V DC |
| Minimum switching voltage | 100 mV (at 10 mA) |
| Maximum inrush current | 50 mA |
| Min. switching current | 1 mA (at 24 V) |
| Limiting continuous current | 50 mA |
| Interrupting rating (ohmic load) max. | 1.2 W (at 24 V DC) |
| Note | the following values are applicable if a gold layer is destroyed |
| Maximum switching voltage | 250 V AC/DC |
| Minimum switching voltage | 5 V (at 100 mA) |
| Limiting continuous current | 6 A |
| Min. switching current | 10 mA (at 12 V) |
| Interrupting rating (ohmic load) max. | 140 W (at 24 V DC) |
| | 20 W (for 48 V DC) |
| | 18 W (for 60 V DC) |
| | 23 W (for 110 V DC) |
| | 40 W (for 220 V DC) |
| | 1500 VA (for 250 V AC) |

General data

| | |
|--|-------------------------|
| Width | 6.2 mm |
| Height | 80 mm |
| Depth | 94 mm |
| Test voltage relay winding/relay contact | 4 kV AC (50 Hz, 1 min.) |
| Ambient temperature (operation) | -40 °C ... 60 °C |
| Ambient temperature (storage/transport) | -40 °C ... 85 °C |

| | |
|------------------------------------|---|
| Operating mode | 100% operating factor |
| Mechanical service life | 2 x 10 ⁷ cycles |
| Inflammability class acc. to UL 94 | V0 |
| Name | Standards/regulations |
| Standards/regulations | IEC 60664 |
| | IEC 60664 A |
| | DIN VDE 0110 |
| | DIN EN 50178/DIN VDE 0160 (in relevant parts) |
| | DIN EN 50178/VDE 0160 |
| | IEC 60255/DIN VDE 0435 (in relevant parts) |
| Pollution degree | 3 |
| Surge voltage category | III |
| Mounting position | Any |
| Assembly instructions | In rows with zero spacing |

Connection data

| | |
|--|----------------------|
| Connection method | Push-In connection |
| Conductor cross section solid min. | 0.14 mm ² |
| Conductor cross section solid max. | 2.5 mm ² |
| Conductor cross section stranded min. | 0.14 mm ² |
| Conductor cross section stranded max. | 2.5 mm ² |
| Conductor cross section AWG/kcmil min. | 26 |
| Conductor cross section AWG/kcmil max | 14 |
| Stripping length | 8 mm |

Certificates / Approvals



Certification

CUL, CUL Listed, UL, UL Listed

| Accessories | | |
|--------------------|------------------------------|--|
| Item | Designation | Description |
| Assembly | | |
| 0801762 | NS 35/ 7,5 CU UNPERF 2000MM | DIN rail, material: Copper, unperforated, height 7.5 mm, width 35 mm, length: 2 m |
| 0801733 | NS 35/ 7,5 PERF 2000MM | DIN rail, material: steel galvanized and passivated with a thick layer, perforated, height 7.5 mm, width 35 mm, length: 2000 mm |
| 0801681 | NS 35/ 7,5 UNPERF 2000MM | DIN rail, material: Steel, unperforated, height 7.5 mm, width 35 mm, length: 2 m |
| 0801377 | NS 35/ 7,5 V2A UNPERF 2000MM | DIN rail, Width: 35 mm, Height: 7.5 mm, Length: 2000 mm, Color: silver |
| 1201756 | NS 35/15 AL UNPERF 2000MM | DIN rail, deep drawn, high profile, unperforated, 1.5 mm thick, material: aluminum, height 15 mm, width 35 mm, length 2000 mm |
| 1201895 | NS 35/15 CU UNPERF 2000MM | DIN rail, material: Copper, unperforated, 1.5 mm thick, height 15 mm, width 35 mm, length: 2 m |
| 1201730 | NS 35/15 PERF 2000MM | DIN rail, material: steel galvanized and passivated with a thick layer, perforated, height 15 mm, width 35 mm, length: 2000 mm |
| 1201714 | NS 35/15 UNPERF 2000MM | DIN rail, material: Steel, unperforated, height 15 mm, width 35 mm, length: 2 m |
| 1201798 | NS 35/15-2,3 UNPERF 2000MM | DIN rail, material: Steel, unperforated, 2.3 mm thick, height 15 mm, width 35 mm, length: 2 m |
| 2966841 | PLC-ATP BK | Separating plate, 2 mm thick, required at the start and end of a PLC terminal strip. Furthermore, it is used for: visual separation of groups, safe isolation of different voltages of neighboring PLC relays in acc. with DIN VDE 0106-101, isolation |
| Bridges | | |
| 2966812 | FBST 6-PLC BU | Single plug-in bridge, Length: 6 mm, Number of positions: 2, Color: blue |
| 2966825 | FBST 6-PLC GY | Single plug-in bridge, Length: 6 mm, Number of positions: 2, Color: gray |
| 2966236 | FBST 6-PLC RD | Single plug-in bridge, Length: 6 mm, Number of positions: 2, Color: red |
| 2967688 | FBST 8-PLC GY | Single plug-in bridge, Length: 8 mm, Number of positions: 2, Color: gray |
| 2966692 | FBST 500-PLC BU | Continuous plug-in bridge, Length: 500 mm, Color: blue |
| 2966838 | FBST 500-PLC GY | Continuous plug-in bridge, Length: 500 mm, Color: gray |
| 2966786 | FBST 500-PLC RD | Continuous plug-in bridge, Length: 500 mm, Color: red |
| General | | |
| 2900281 | PLC-BPIT-230UC/21 | 6.2 mm PLC basic terminal blocks with Push-In connection method, input voltage of 230 V AC (without relay or optocoupler) |

| | | |
|---------|-------------------|---|
| 2966508 | PLC-ESK GY | Power terminal block, for the input of up to four potentials, for mounting on NS 35/7.5 |
| 2296087 | PLC-V8/D15B/IN | V8-INPUT adapter for eight 6.2 mm PLC interfaces (1 PDT, etc./ see "Additional Products"). 15-pin D-SUB female connector, control logic: Positive switching |
| 2296074 | PLC-V8/D15S/IN | V8-INPUT adapter for eight 6.2 mm PLC interfaces (1 PDT, etc./ see "Additional Products"). 15-pin D-SUB male connector, control logic: Positive switching |
| 2296553 | PLC-V8/FLK14/IN | V8L-INPUT adapter for eight 6.2 mm PLC interfaces (1 PDT, etc./see "Supplementary Products"). 14-pos. flat-ribbon cable connection for the PLC system cabling, control logic: Plus switching |
| 2304115 | PLC-V8/FLK14/IN/M | V8L-INPUT adapter for eight 6.2 mm PLC interfaces (1 PDT, etc./see "Supplementary Products"). 14-pos. flat-ribbon cable connection for the PLC system cabling, control logic: Minus switching |
| 2961134 | REL-MR- 60DC/21AU | Pluggable miniature relays, with multi-layer contact, 1 PDT, input voltage 60 V DC |

Marking

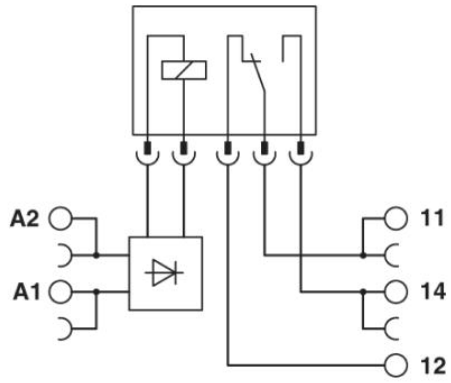
| | | |
|---------|------------------------|--|
| 1051016 | ZB 6,LGS:FORTL.ZAHLEN | Zack marker strip, 10-section, printed horizontally: with the numbers 1 - 10, 11 - 20 and so on up to 491 - 500, color: white |
| 5060935 | ZB 6/WH-100:UNBEDRUCKT | Zack strip, unprinted: For individual labeling with M-PEN, ZB-T or CMS system, large batch, sufficient for labeling 1000 terminal blocks, for a terminal width of 6.2 mm, color: White |
| 1051003 | ZB 6:UNBEDRUCKT | Zack strip, unprinted, strips with 10 labels for individual labeling with M-PEN or CMS system, for terminal block width: 6.2 mm, color: white |

Tools

| | | |
|---------|---------------|---|
| 1204517 | SZF 1-0,6X3,5 | Actuation tool, for ST terminal blocks, also suitable for use as a bladed screwdriver, size: 0.6 x 3.5 x 100 mm, 2-component grip, with non-slip grip |
|---------|---------------|---|

Diagrams/Drawings

Circuit diagram



Address

PHOENIX CONTACT Inc., USA
586 Fulling Mill Road
Middletown, PA 17057, USA
Phone (800) 888-7388
Fax (717) 944-1625
<http://www.phoenixcon.com>



© 2011 Phoenix Contact
Technical modifications reserved;

Компания «Life Electronics» занимается поставками электронных компонентов импортного и отечественного производства от производителей и со складов крупных дистрибьюторов Европы, Америки и Азии.

С конца 2013 года компания активно расширяет линейку поставок компонентов по направлению коаксиальный кабель, кварцевые генераторы и конденсаторы (керамические, пленочные, электролитические), за счёт заключения дистрибьюторских договоров

Мы предлагаем:

- Конкурентоспособные цены и скидки постоянным клиентам.
- Специальные условия для постоянных клиентов.
- Подбор аналогов.
- Поставку компонентов в любых объемах, удовлетворяющих вашим потребностям.
- Приемлемые сроки поставки, возможна ускоренная поставка.
- Доставку товара в любую точку России и стран СНГ.
- Комплексную поставку.
- Работу по проектам и поставку образцов.
- Формирование склада под заказчика.
- Сертификаты соответствия на поставляемую продукцию (по желанию клиента).
- Тестирование поставляемой продукции.
- Поставку компонентов, требующих военную и космическую приемку.
- Входной контроль качества.
- Наличие сертификата ISO.

В составе нашей компании организован Конструкторский отдел, призванный помогать разработчикам, и инженерам.

Конструкторский отдел помогает осуществить:

- Регистрацию проекта у производителя компонентов.
- Техническую поддержку проекта.
- Защиту от снятия компонента с производства.
- Оценку стоимости проекта по компонентам.
- Изготовление тестовой платы монтаж и пусконаладочные работы.



Тел: +7 (812) 336 43 04 (многоканальный)

Email: org@lifeelectronics.ru