

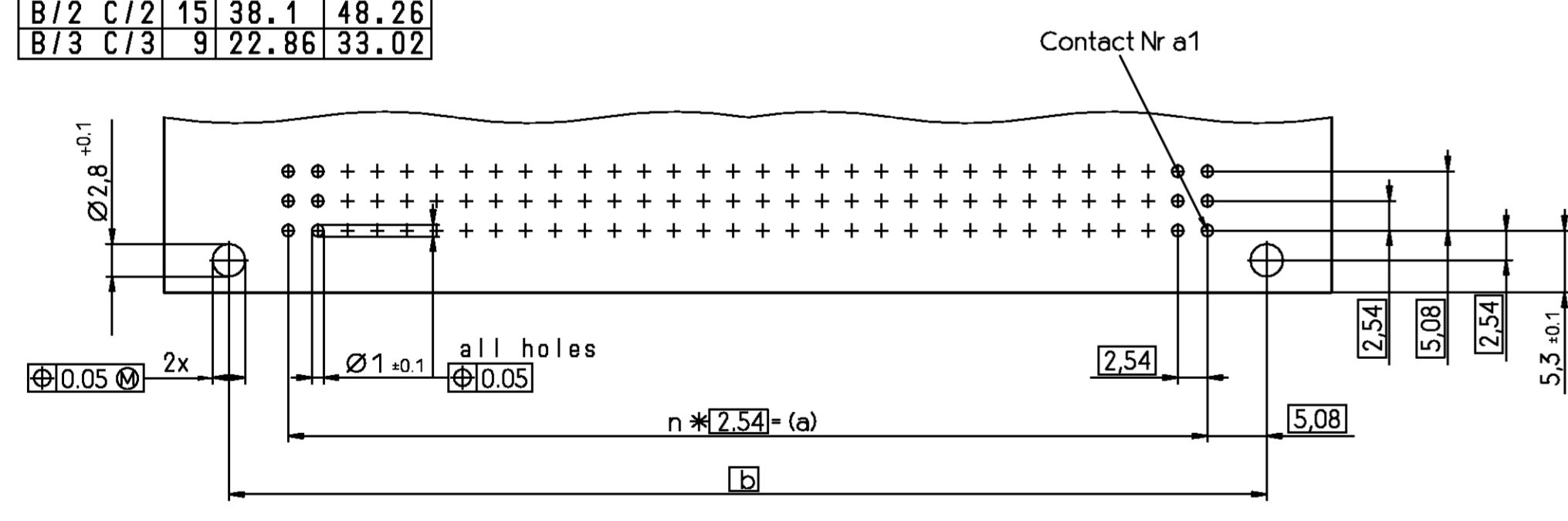
Housing material: PBTP 30% glassfilled (UL94V-0) pebble grey (similar RAL 7032)

Housing material: PBTP 30% glassfilled (UL94V-0) pebble grey (similar RAL 7032)

Housing material: PBTP 30% glassfilled (UL94V-0) pebble grey (similar RAL 7032)

Bauform	n	a	b
B	C	31	78.74
B/2	C/2	15	38.1
B/3	C/3	9	22.86

Mounting holes in PCB



V 4 2 2 5 4 - * 1 * * * - + * * *

B : Standard version
F : Version with flux tight coating

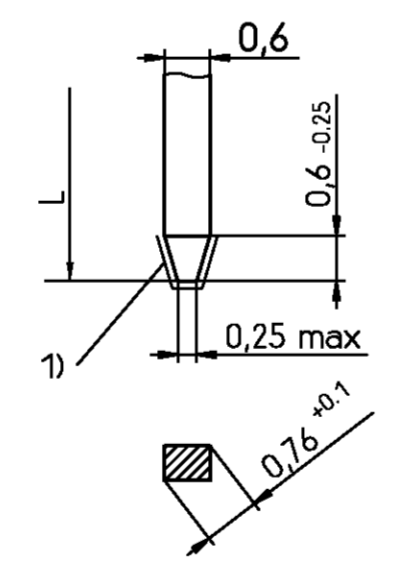
code for performance level
code for termination style

Style, no of contacts and contact assignment see page 2

THIS INFORMATION IS CONFIDENTIAL AND PROPRIETARY TO TYCO ELECTRONICS CORPORATION AND ITS WORLDWIDE SUBSIDIARIES AND AFFILIATES. IT MAY NOT BE DISCLOSED TO ANYONE, OTHER THAN TYCO ELECTRONICS CORPORATION, WITHOUT WRITTEN AUTHORIZATION FROM TYCO ELECTRONICS CORPORATION, HARRISBURG, PENNSYLVANIA USA.

Termination Style

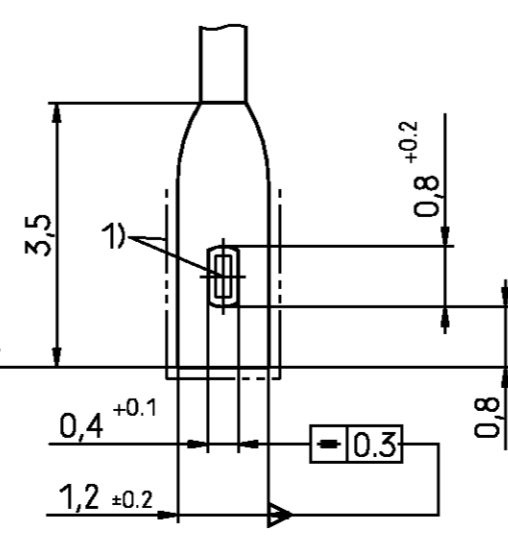
Soldering/Wire-Wrap pins



	L	Code
	3 -0.4	00
	2.9 ±0.3	01
	4.5 ±0.3	02
	13 +0.5	40
	11 +0.5	41
	17 +0.5	42
Soldering lugs	5.5 ±0.3 10 -0.5	35

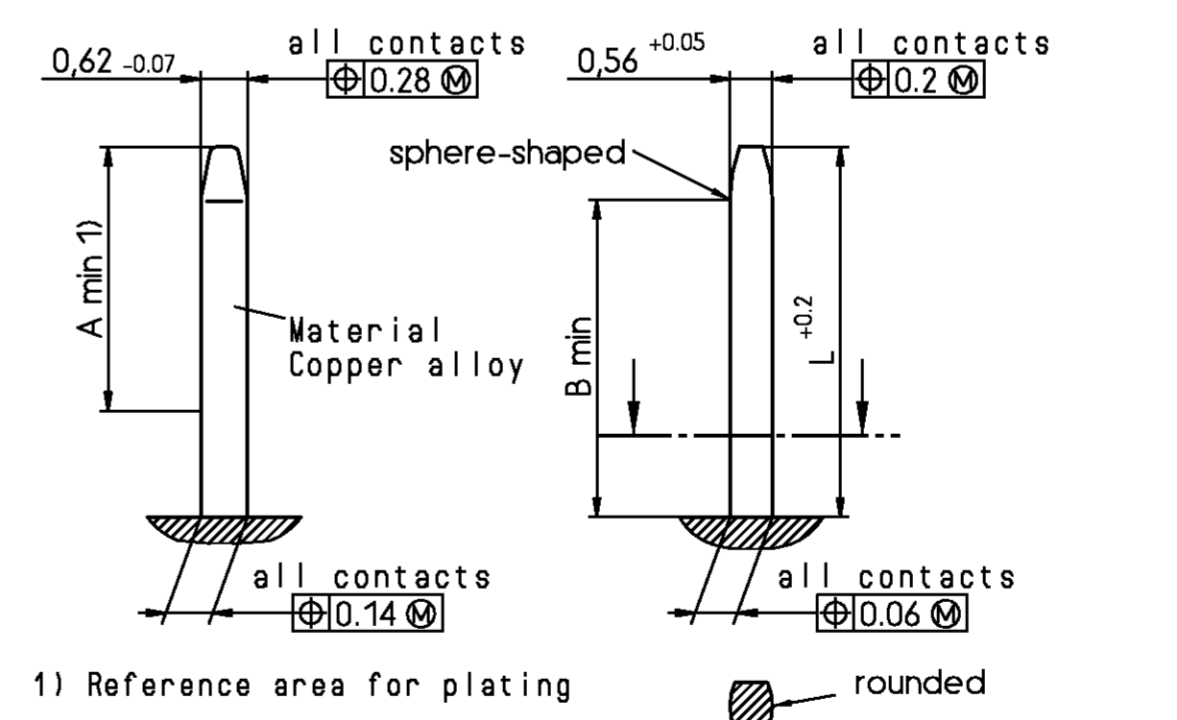
1) Cutting, edges not plated
Terminations with galvanic Sn plating

Soldering lug



V42254-B1***-C***

Contact: Dimensions, plating, material, pre-mating



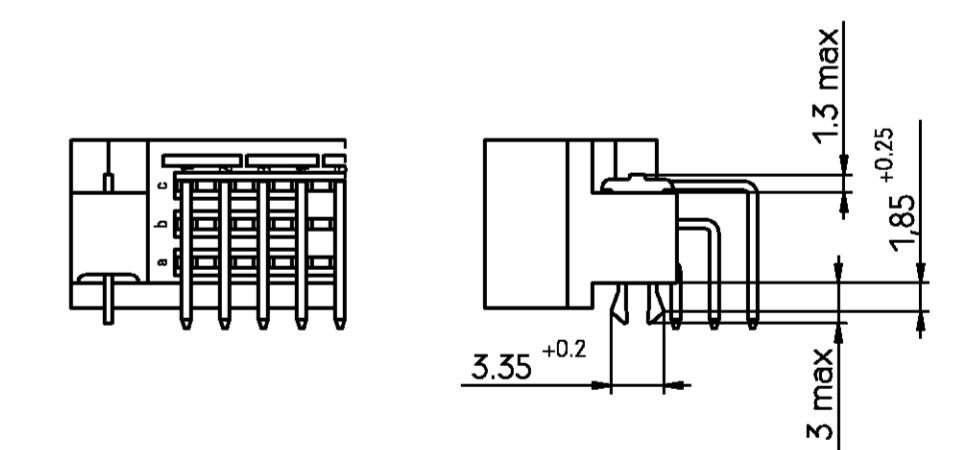
1) Reference area for plating

	L	A	B
normal contacts	4.8	3.5	4.2
pre-mating contacts	5.8	4.5	5.2

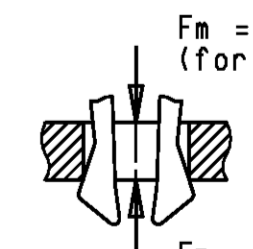
Performance level acc to DIN41612 and IEC603-2	Noble metals	Code
Class I	PdNi + Au or Au	1
	Au	4
Class II	PdNi + Au or Au	2
	Au	5
Class III	PdNi + Au or Au	3

Nickel underlayer
Protection film: HF-grease

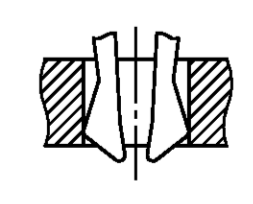
Male connector with board locks



Mounted in PC-boards of 1.5 to 1.8 mm
F_m < 60 N
F_r > 20 N
F_r > 200 N, wenn soldered-in



Mounted in PC-boards over 1.8 mm
F_m < 60 N
F_r > 16 N



STE TE Connectivity

SCALE: DIMENSIONS IN MM

MATERIAL: PART NAME: Pin Assembly Eurocard Types B, C and short versions

DATE: 10.02.89 NAME: Cuvelier DEP: PD COM

ECO-17-002173 10MAR2017 SY

Customer Drawing Nr. C 1392009-B

SHT. 1+ OF 2

Product description code	Part Number	Style & Number of Positions	Termination Posts	Loaded Rows	Standard Pre-Mating (mm J)	Performance Level	Board Locks
SUPERSEDED BY 5-1393644-6	V42254-B1100-B200	1393644-1	B20	right-angle solder leads	every row , every pitch	No	1 No
	V42254-B1100-B230	1393644-2	B20	right-angle solder leads	every row , every pitch	Yes	1 No
SUPERSEDED BY 5-1393644-9	V42254-B1100-B320	1393644-3	B32	right-angle solder leads	every row , every pitch	No	1 No
SUPERSEDED BY 6-1393644-3	V42254-B1100-B640	1393644-4	B64	right-angle solder leads	every row , every pitch	No	1 No
	V42254-B1100-B641	1393644-5	B64	right-angle solder leads	row a , every pitch	No	1 No
OBSOLETE	V42254-B1100-B645	1393644-6	B64	right-angle solder leads	every row , every even pitch	No	1 No
	V42254-B1100-C480	1393644-9	C48	right-angle solder leads	every row , every pitch	No	1 No
OBSOLETE	V42254-B1100-C483	1-1393644-0	C48	right-angle solder leads	every row , every pitch	No	1 No
	V42254-B1100-C910	1-1393644-2	C96	right-angle solder leads	row atc , every pitch	No	1 Yes
	V42254-B1100-C960	1-1393644-6	C96	right-angle solder leads	every row , every pitch	No	1 No
	V42254-B1100-C963	1-1393644-7	C96	right-angle solder leads	every row , every pitch	No	1 No
	V42254-B1100-C965	1-1393644-8	C96	right-angle solder leads	row atc , every pitch	No	1 No
	V42254-B1100-C968	1-1393644-9	C96	right-angle solder leads	every row , every even pitch	No	1 No
	V42254-B1100-C968H	2-1393644-0	C96	right-angle solder leads	row atc , every even pitch	No	1 No
OBSOLETE	V42254-B1101-B230	3-1393644-2	B20	2,9mm straight solder leads	every row , every pitch	Yes	1 No
	V42254-B1102-B320	3-1393644-3	B32	4,5mm straight solder leads	every row , every pitch	No	1 No
	V42254-B1102-B640	3-1393644-4	B64	4,5mm straight solder leads	every row , every pitch	No	1 No
	V42254-B1102-C960	3-1393644-5	C96	4,5mm straight solder leads	every row , every pitch	No	1 No
	V42254-B1102-C963	3-1393644-6	C96	4,5mm straight solder leads	row atc , every pitch	No	1 No
	V42254-B1135-B640	4-1393644-0	B64	solder lugs	every row , every pitch	No	1 No
OBSOLETE	V42254-B1200-B200	5-1393644-6	B20	right-angle solder leads	every row , every pitch	No	2 No
	V42254-B1200-B310	5-1393644-8	B32	right-angle solder leads	every row , every pitch	No	2 Yes
	V42254-B1200-B320	5-1393644-9	B32	right-angle solder leads	every row , every pitch	No	2 No
OBSOLETE	V42254-B1200-B321	6-1393644-0	B32	right-angle solder leads	row a , every pitch	No	2 No
	V42254-B1200-B610	6-1393644-3	B64	right-angle solder leads	every row , every pitch	No	2 Yes
OBSOLETE	V42254-B1200-B611	6-1393644-4	B64	right-angle solder leads	row a , every pitch	No	2 Yes
	V42254-B1200-B630	6-1393644-5	B64	right-angle solder leads	every row , every pitch	Yes	2 No
	V42254-B1200-B640	6-1393644-6	B64	right-angle solder leads	every row , every pitch	No	2 No
	V42254-B1200-B641	6-1393644-7	B64	right-angle solder leads	row a , every pitch	No	2 No
OBSOLETE	V42254-B1200-B645	6-1393644-8	B64	right-angle solder leads	every row , every even pitch	No	2 No
	V42254-B1200-C300	6-1393644-9	C30	right-angle solder leads	every row , every pitch	No	2 No
SUPERSEDED BY 6-1393644-9	V42254-B1200-C303	7-1393644-0	C30	right-angle solder leads	row atc , every pitch	No	2 No
	V42254-B1200-C310	7-1393644-1	C30	right-angle solder leads	every row , every pitch	No	2 Yes
SUPERSEDED BY 7-1393644-1	V42254-B1200-C313	7-1393644-2	C30	right-angle solder leads	row atc , every pitch	No	2 Yes
	V42254-B1200-C410	7-1393644-4	C48	right-angle solder leads	every row , every pitch	No	2 Yes
SUPERSEDED BY 5650978-5	V42254-B1200-C413	7-1393644-5	C48	right-angle solder leads	row atc , every pitch	No	2 Yes
	V42254-B1200-C430	7-1393644-6	C48	right-angle solder leads	every row , every pitch	Yes	2 No
OBSOLETE	V42254-B1200-C433	7-1393644-7	C48	right-angle solder leads	row atc , every pitch	No	2 No
	V42254-B1200-C453	7-1393644-9	C48	right-angle solder leads	row atc , every pitch	Yes	2 Yes
	V42254-B1200-C480	8-1393644-0	C48	right-angle solder leads	every row , every pitch	No	2 No
	V42254-B1200-C483	8-1393644-1	C48	right-angle solder leads	row atc , every pitch	No	2 No
OBSOLETE	V42254-B1200-C485	8-1393644-2	C48	right-angle solder leads	every row , every even pitch	No	2 No
	V42254-B1200-C910	8-1393644-3	C96	right-angle solder leads	every row , every pitch	No	2 Yes
OBSOLETE	V42254-B1200-C912	8-1393644-4	C96	right-angle solder leads	row atb , every pitch	No	2 Yes
	V42254-B1200-C913	8-1393644-5	C96	right-angle solder leads	row atc , every pitch	No	2 Yes
	V42254-B1200-C918	8-1393644-6	C96	right-angle solder leads	row atc , every even pitch	No	2 Yes
	V42254-B1200-C930	8-1393644-7	C96	right-angle solder leads	every row , every pitch	Yes	2 No
	V42254-B1200-C933	8-1393644-8	C96	right-angle solder leads	row atc , every pitch	Yes	2 No
OBSOLETE	V42254-B1200-C938	8-1393644-9	C96	right-angle solder leads	row atc , every even pitch	Yes	2 No
	V42254-B1200-C953	9-1393644-0	C96	right-angle solder leads	row atc , every pitch	Yes	2 Yes
	V42254-B1200-C960	9-1393644-1	C96	right-angle solder leads	every row , every pitch	No	2 No
OBSOLETE	V42254-B1200-C960B	9-1393644-2	C96	right-angle solder leads	every row , every pitch	No	2 No
	V42254-B1200-C961	9-1393644-3	C96	right-angle solder leads	row a , every pitch	No	2 No
	V42254-B1200-C963	9-1393644-4	C96	right-angle solder leads	row atc , every pitch	No	2 No
OBSOLETE	V42254-B1200-C963B	9-1393644-5	C96	right-angle solder leads	row atc , every pitch	No	2 No
	V42254-B1200-C965	9-1393644-6	C96	right-angle solder leads	every row , every even pitch	No	2 No
	V42254-B1200-C968	9-1393644-7	C96	right-angle solder leads	row atc , every even pitch	No	2 No
OBSOLETE	V42254-B1201-B320	2-1393645-5	B32	2,9mm straight solder leads	every row , every pitch	No	2 No
	V42254-B1201-B640	1392009-8	B64	2,9mm straight solder leads	every row , every pitch	No	2 No
	V42254-B1201-C300	2-1393645-6	C30	2,9mm straight solder leads	every row , every pitch	No	2 No
	V42254-B1201-C480	2-1393645-7	C48	2,9mm straight solder leads	every row , every pitch	No	2 No
	V42254-B1201-C960	2-1393502-6	C96	2,9mm straight solder leads	every row , every pitch	No	2 No
	V42254-B1201-C963	2-1393502-7	C96	2,9mm straight solder leads	row atc , every pitch	No	2 No
	V42254-B1202-B200	2-1393645-9	B20	4,5mm straight solder leads	every row , every pitch	No	2 No
	V42254-B1202-B320	3-1393645-0	B32	4,5mm straight solder leads	every row , every pitch	No	2 No
	V42254-B1202-B640	3-1393645-1	B64	4,5mm straight solder leads	every row , every pitch	No	2 No
	V42254-B1202-C300	1392009-9	C30	4,5mm straight solder leads	every row , every pitch	No	2 No
	V42254-B1202-C480	3-1393645-4	C48	4,5mm straight solder leads	every row , every pitch	No	2 No
	V42254-B1202-C483	3-1393645-5	C48	4,5mm straight solder leads	row atc , every pitch	No	2 No
	V42254-B1202-C960	3-1393645-6	C96	4,5mm straight solder leads	every row , every pitch	No	2 No
	V42254-B1202-C963	3-1393645-7	C96	4,5mm straight solder leads	row atc , every pitch	No	2 No
	V42254-B1202-C968	3-1393645-8	C96	4,5mm straight solder leads	row atc , every even pitch	No	2 No
OBSOLETE	V42254-B1235-C480	4-1393645-5	C48	solder lugs	every row , every pitch	No	2 No
	V42254-B1235-C960	4-1393645-7	C96	solder lugs	every row , every pitch	No	2 No
	V42254-B1235-C963	4-1393645-8	C96	solder lugs	row atc , every pitch	No	2 No
	V42254-B1240-B320	5-1393645-1	B32	13mm straight wire-wrap pins	every row , every pitch	No	2 No
	V42254-B1240-B640	5-1393645-2	B64	13mm straight wire-wrap pins	every row , every pitch	No	2 No
	V42254-B1240-C300	5-1393645-3	C30	13mm straight wire-wrap pins	every row , every pitch	No	2 No
	V42254-B1240-C480	5-1393645-4	C48	13mm straight wire-wrap pins	every row , every pitch	No	2 No
	V42254-B1240-C960	5-1393645-5	C96	13mm straight wire-wrap pins	every row , every pitch	No	2 No
	V42254-B1240-C963	5-1393645-7	C96	13mm straight wire-wrap pins	row atc , every pitch	No	2 No
	V42254-B1240-C963B	5-1393645-8	C96	13mm straight wire-wrap pins	row atc , every pitch	No	2 No
SUPERSEDED BY 6-1393644-6	V42254-B1300-B640	4-1393646-5	B64	right-angle solder leads	every row , every pitch	No	3 No
SUPERSEDED BY 9-1393644-1	V42254-B1300-C960	4-1393646-6	C96	right-angle solder leads	every row , every pitch	No	3 No
SUPERSEDED BY 9-1393644-4	V42254-B1300-C963	4-1393646-7	C96	right-angle solder leads	row atc , every pitch	No	3 No
	V42254-F1200-C480	1-1393647-2	C48	right-angle solder leads	every row , every pitch	No	2 No
	V42254-F1200-C960	1-1393647-3	C96	right-angle solder leads	every row , every pitch	No	2 No
	V42254-F1200-C963	1-1393647-4	C96	right-angle solder leads	row atc , every pitch	No	2 No

4) According BT 236 level 2.
3) According BT 222 level 1.
2) Connectors have a flux-tight coating.
1) First and last contact of each loaded row is a pre-mating (make first / break last) contact.

Active part numbers.
Contact TE for other configuration availability

		TE Connectivity		SCALE		WEIGHT	
MATERIAL		DIMENSIONS IN MM		PART NAME		MATERIAL	
B6	ECR-10-004503	13SEP11	MKO	DATE	10.02.89	Pin Assembly Eurocard	
B5	ECR-10-002555	01JUN10	MKO	NAME	Covetier	Types B, C and short versions	
B4	SR10-0177-03	18 JUN 03	KV	DEP	PE Com	PART NO.	
B3	SR10-0415-02	16 Sep 02	BC			TOLERANCE UNLESS SPECIFIED OTHERWISE	
B2	SR10-0157-02	13 Mar 02	BC			PART NO. V42254-B1***-C***-7626	
B1	SR10-0130-02	28 Feb 02	BC			SHT. 2-	
B	SR10-0198-01	21.05.01	BC			OF 2	
A	IWO 007012	20.07.00	VVS				
REV	CHANGE ORDER	DATE	APP	Customer Drawing Nr. C 1392009-8			

THIS INFORMATION IS CONFIDENTIAL AND PROPRIETARY TO TYCO ELECTRONICS CORPORATION AND ITS WORLDWIDE SUBSIDIARIES AND AFFILIATES. IT MAY NOT BE DISCLOSED TO ANYONE, OTHER THAN TYCO ELECTRONICS CORPORATION, WITHOUT WRITTEN AUTHORIZATION FROM TYCO ELECTRONICS CORPORATION, HARRISBURG, PENNSYLVANIA USA.

Компания «Life Electronics» занимается поставками электронных компонентов импортного и отечественного производства от производителей и со складов крупных дистрибьюторов Европы, Америки и Азии.

С конца 2013 года компания активно расширяет линейку поставок компонентов по направлению коаксиальный кабель, кварцевые генераторы и конденсаторы (керамические, пленочные, электролитические), за счёт заключения дистрибьюторских договоров

Мы предлагаем:

- Конкурентоспособные цены и скидки постоянным клиентам.
- Специальные условия для постоянных клиентов.
- Подбор аналогов.
- Поставку компонентов в любых объемах, удовлетворяющих вашим потребностям.
- Приемлемые сроки поставки, возможна ускоренная поставка.
- Доставку товара в любую точку России и стран СНГ.
- Комплексную поставку.
- Работу по проектам и поставку образцов.
- Формирование склада под заказчика.
- Сертификаты соответствия на поставляемую продукцию (по желанию клиента).
- Тестирование поставляемой продукции.
- Поставку компонентов, требующих военную и космическую приемку.
- Входной контроль качества.
- Наличие сертификата ISO.

В составе нашей компании организован Конструкторский отдел, призванный помогать разработчикам, и инженерам.

Конструкторский отдел помогает осуществить:

- Регистрацию проекта у производителя компонентов.
- Техническую поддержку проекта.
- Защиту от снятия компонента с производства.
- Оценку стоимости проекта по компонентам.
- Изготовление тестовой платы монтаж и пусконаладочные работы.



Тел: +7 (812) 336 43 04 (многоканальный)

Email: org@lifeelectronics.ru