

62mA-400mA EOL – Last Buy Date is Jun 30, 2020
 No replacements for these ratings

Type GSA / GSAP

Slow Blow Fuse Series

HF **Pb** GSA/GSAP Series, 6x32mm Ceramic Tube Slow Blow Fuse

RoHS 2 Compliant

Description

6x32mm Slow Blow, ceramic tube body cartridge fuse designed, approved and complied with UL and CSA standard 248-14.

Features

- Meet UL and CSA standard 248-14
- Wide operating temperature range
- Bulk packing available
- RoHS 2 compliant
- Halogen Free
- Lead Free

Applications

Provide individual protection for components or internal circuits.

- Power supplies
- Battery charger
- Monitor
- Adapter

LEAD FREE = **Pb**
 HALOGEN FREE = **HF**



Physical Specifications

| | |
|-----------|--|
| Materials | Body : Ceramic |
| | Cap : Nickel Plated Brass Caps |
| | Leads : Matte Tin Plated Copper |
| Marking | On Fuse : |
| | "bel", "GSA", "Current Rating", "Voltage Rating", "Appropriate Safety Logos", "✓" (RoHS 2 compliant) |
| | On Label : |
| | "bel", "GSA" or "GSAP", "Current Rating", "Voltage Rating", "Interrupting Rating", "Appropriate Safety Logos" and " ^{RoHS} ✓ ", "  "(China RoHS compliant). |

Electrical Characteristics (UL/CSA STD.248-14)

| Testing Current | Blow Time | |
|-----------------|-----------|---------|
| | Minimum | Maximum |
| 100% | 4 hrs. | N/A |
| 135% | N/A | 1 Hr. |
| 200% | 5 sec | 30 sec |

Safety Agency Approvals

| Safety Agency | Safety Agency Certificate | Voltage Rating (V) | Ampere Range / Volt @ I.R. ability* |
|--|--|----------------------|--|
|   | E20624 LR39772 | 63mA-15A/ 250V AC | 63mA-8A/125V AC @10,000A 63mA-1A/250V AC @35A >1A-3.5A/250V AC @100A >3.5A-8A/250V AC @200A |
|   | | | 10A-15A/125V AC @10,000A 10A-15A/250V AC @750A |
|  | JET1037-31003-1010 JET1037-31003-1011 JET1037-31003-1007 | | 1A-5A/125V AC @500A >5A-15A/125V AC @300A |

*I.R.= Interrupting Rating = Short Circuit Rating(Amps)

Type GSA / GSAP

Environmental Specifications

| | |
|---------------------------|--|
| Shock Resistance | MIL-STD-202G, Method 213B, Test Condition 1 (100 G's peak for 6 milliseconds; Sawtooth waveform) |
| Vibration Resistance | MIL-STD-202G, Method 201A (10-55 Hz, 0.06 inch, total excursion). |
| Salt Spray Resistance | MIL-STD-202G, Method 101E, Test Condition B (48 hrs.). |
| Insulation Resistance | MIL-STD-202G, Method 302, Test Condition A (After Opening) 10,000 ohms minimum. |
| Solderability | MIL-STD-202G, Method 208H |
| Resistance to solder Heat | MIL-STD-202G, Method 210F, Test Condition B. (260+/-5°C, 10+/-1 sec) |
| Thermal Shock | MIL-STD-202G, Method 107G, Test Condition B (-65°C to +125°C). |
| Operating Temperature | -55°C to +125°C |
| Terminal Strength | IEC-68-2-21 |

Electrical Specifications

| Catalog Number | Ampere Rating | Typical Cold Resistance (ohms) | Volt-drop @100%In (Volt) max. | Voltage and Interrupting Ratings | Melting I ² T <10 mSec (A ² Sec) | Melting I ² T @10 In (A ² Sec) | Maximum Power Dissipation (W) | Agency Approvals | | | | | |
|----------------|---------------|--------------------------------|-------------------------------|---|--|--|-------------------------------|------------------|----|-------|----|----|---|
| | | | | | | | | UL US | SP | UL US | SP | CS | |
| GSA(P) 63-R | 63mA | 75.5 | 7.33 | See Table of Safety Approvals on Page 1 for Voltage and associated Interrupting Ratings | 0.087 | 0.098 | 0.71 | Y | Y | | | | |
| GSA(P) 80-R | 80mA | 48.4 | 6.27 | | 0.135 | 0.152 | 0.74 | Y | Y | | | | |
| GSA(P) 100-R | 100mA | 29.4 | 4.41 | | 0.209 | 0.238 | 0.55 | Y | Y | | | | |
| GSA(P) 125-R | 125mA | 17.5 | 3.45 | | 0.323 | 0.372 | 0.58 | Y | Y | | | | |
| GSA(P) 160-R | 160mA | 12.3 | 3.13 | | 0.499 | 0.581 | 0.60 | Y | Y | | | | |
| GSA(P) 200-R | 200mA | 7.1 | 2.13 | | 0.773 | 0.908 | 0.63 | Y | Y | | | | |
| GSA(P) 250-R | 250mA | 5.0 | 1.97 | | 1.2 | 1.4 | 0.66 | Y | Y | | | | |
| GSA(P) 300-R | 300mA | 3.17 | 1.52 | | 1.9 | 2.2 | 0.70 | Y | Y | | | | |
| GSA(P) 375-R | 375mA | 2.14 | 1.26 | | 2.6 | 3.2 | 0.73 | Y | Y | | | | |
| GSA(P) 500-R | 500mA | 1.38 | 1.07 | See Table of Safety Approvals on Page 1 for Voltage and associated Interrupting Ratings | 4.4 | 5.4 | 0.78 | Y | Y | | | | |
| GSA(P) 600-R | 600mA | 1.05 | 0.98 | | 6.9 | 8.5 | 0.82 | Y | Y | | | | |
| GSA(P) 700-R | 700mA | 0.648 | 0.69 | | 8.5 | 11 | 0.84 | Y | Y | | | | |
| GSA(P) 750-R | 750mA | 0.642 | 0.68 | | 10 | 12 | 0.85 | Y | Y | | | | |
| GSA(P) 1-R | 1A | 0.374 | 0.59 | | 16 | 21 | 0.91 | Y | Y | | | | Y |
| GSA(P) 1.25-R | 1.25A | 0.248 | 0.43 | | 25 | 32 | 0.96 | Y | Y | | | | Y |
| GSA(P) 1.6-R | 1.6A | 0.155 | 0.38 | | 39 | 50 | 1.01 | Y | Y | | | | Y |
| GSA(P) 2-R | 2A | 0.115 | 0.36 | | 61 | 79 | 1.06 | Y | Y | | | | Y |
| GSA(P) 2.5-R | 2.5A | 0.079 | 0.29 | | 94 | 123 | 1.12 | Y | Y | | | | Y |
| GSA(P) 3-R | 3A | 0.058 | 0.27 | | 146 | 192 | 1.18 | Y | Y | | | | Y |
| GSA(P) 4-R | 4A | 0.039 | 0.23 | | 226 | 300 | 1.24 | Y | Y | | | | Y |
| GSA(P) 5-R | 5A | 0.029 | 0.22 | | 349 | 469 | 1.31 | Y | Y | | | | Y |
| GSA(P) 6-R | 6A | 0.018 | 0.19 | | 286 | 455 | 1.61 | Y | Y | | | | Y |
| GSA(P) 7-R | 7A | 0.016 | 0.18 | | 372 | 592 | 1.81 | Y | Y | | | | Y |
| GSA(P) 8-R | 8A | 0.013 | 0.17 | | 483 | 769 | 1.95 | Y | Y | | | | Y |
| GSA(P) 10-R | 10A | 0.010 | 0.17 | 817 | 1300 | 2.26 | | | Y | Y | | Y | |
| GSA(P) 12-R | 12A | 0.008 | 0.15 | 1277 | 2031 | 2.56 | | | Y | Y | | Y | |
| GSA(P) 15-R | 15A | 0.006 | 0.15 | 2123 | 3377 | 2.96 | | | Y | Y | | Y | |

Consult manufacturer for other ratings

EOL—
 Last Buy Date is Jun 30, 2020



Specifications subject to change without notice

Bel Fuse Inc.
 206 Van Vorst Street
 Jersey City, NJ 07302 USA

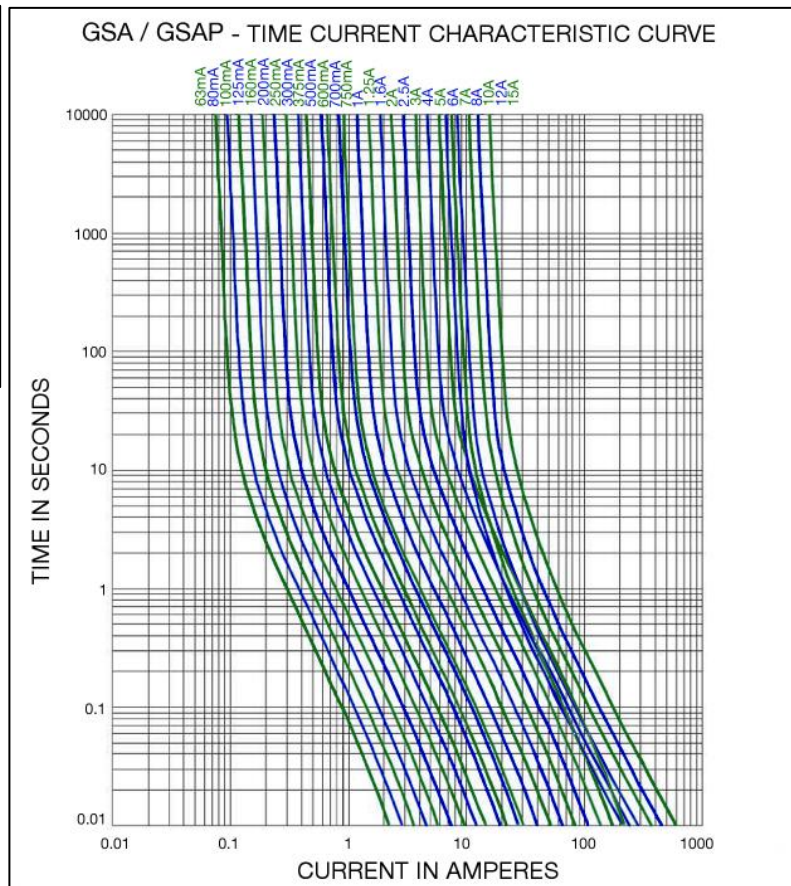
+1 201.432.0463
 Bel.US.CS@belf.com
belfuse.com/circuit-protection

Type GSA / GSAP

Temperature Derating Curve



Average Time Current Curve



Soldering parameters

| Lead-free Wave Soldering Profile | |
|--|--|
| Wave Soldering Parameter | |
| Average ramp-up rate | 200°C / second |
| Heating rate during preheat | typical 1 - 2°C / second Max 4°C / second |
| Final preheat temperature | within 125°C of soldering temperature |
| Peak temperature Tp | 260°C |
| Time within +0°C / -5°C of actual peak temperature | 10 seconds |
| Ramp-down rate | 5°C / second max. |



Specifications subject to change without notice

Bel Fuse Inc.
 206 Van Vorst Street
 Jersey City, NJ 07302 USA

+1 201.432.0463
 Bel.US.CS@belf.com
belfuse.com/circuit-protection

Type GSA / GSAP

Fuse FGNO Explanation

06X6 R [XXXX] -XX

0606R=GSA/0616R=GSAP; [XXXX]=Ampere Rating; XX=See Ordering Information as below

| Fraction | Decimal | Milliamps | Bel FGNO[XXXX] |
|----------|---------|-----------|----------------|
| 1/16 | 0.063 | 63 | 0063 |
| 8/100 | .080 | 80 | 0080 |
| 1/10 | .100 | 100 | 0100 |
| 1/8 | .125 | 125 | 0125 |
| | .160 | 160 | 0160 |
| 2/10 | .200 | 200 | 0200 |
| 1/4 | .250 | 250 | 0250 |
| 3/10 | .300 | 300 | 0300 |
| 3/8 | .375 | 375 | 0375 |
| 1/2 | .500 | 500 | 0500 |
| 6/10 | .600 | 600 | 0600 |
| 7/10 | .700 | 700 | 0700 |
| 3/4 | .750 | 750 | 0750 |

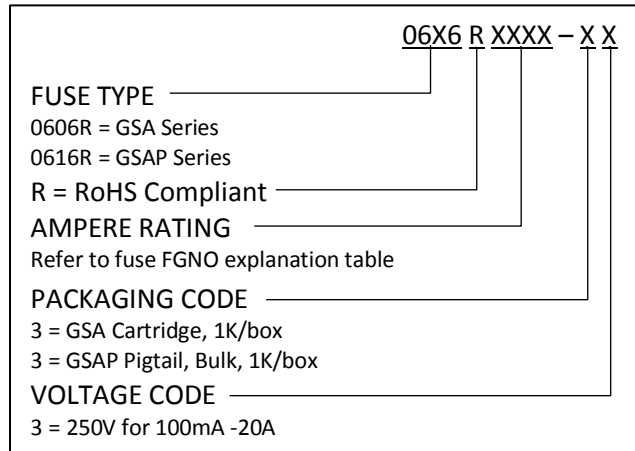
| Fraction | Decimal | Amps | Bel FGNO[XXXX] |
|----------|---------|------|----------------|
| | 1.0 | 1 | 1000 |
| 1-1/4 | 1.25 | 1.25 | 1250 |
| | 1.60 | 1.6 | 1600 |
| | 2.0 | 2 | 2000 |
| 2-1/2 | 2.5 | 2.5 | 2500 |
| | 3.0 | 3 | 3000 |
| | 4.0 | 4 | 4000 |
| | 5.0 | 5 | 5000 |
| | 6.0 | 6 | 6000 |
| | 7.0 | 7 | 7000 |
| | 8.0 | 8 | 8000 |
| | | 10 | 9100 |
| | | 12 | 9120 |
| | | 15 | 9150 |

Mechanical Dimensions



*Diameter lead 0.032"±0.002" for 5A and less
 *Diameter lead 0.039"±0.002" for 6A and above

Ordering Information



Packaging

| Packaging Option | Packaging Specification | Quantity | Packaging Code | Inside Tape Spacing |
|---------------------|-------------------------|----------|----------------|---------------------|
| Bulk | N/A | 1000 | 33 | N/A |
| Bulk (Pigtail Type) | N/A | 1000 | 33 | N/A |



Specifications subject to change without notice

Bel Fuse Inc.
 206 Van Vorst Street
 Jersey City, NJ 07302 USA

+1 201.432.0463
 Bel.US.CS@belf.com
belfuse.com/circuit-protection

Компания «Life Electronics» занимается поставками электронных компонентов импортного и отечественного производства от производителей и со складов крупных дистрибьюторов Европы, Америки и Азии.

С конца 2013 года компания активно расширяет линейку поставок компонентов по направлению коаксиальный кабель, кварцевые генераторы и конденсаторы (керамические, пленочные, электролитические), за счёт заключения дистрибьюторских договоров

Мы предлагаем:

- Конкурентоспособные цены и скидки постоянным клиентам.
- Специальные условия для постоянных клиентов.
- Подбор аналогов.
- Поставку компонентов в любых объемах, удовлетворяющих вашим потребностям.
- Приемлемые сроки поставки, возможна ускоренная поставка.
- Доставку товара в любую точку России и стран СНГ.
- Комплексную поставку.
- Работу по проектам и поставку образцов.
- Формирование склада под заказчика.
- Сертификаты соответствия на поставляемую продукцию (по желанию клиента).
- Тестирование поставляемой продукции.
- Поставку компонентов, требующих военную и космическую приемку.
- Входной контроль качества.
- Наличие сертификата ISO.

В составе нашей компании организован Конструкторский отдел, призванный помогать разработчикам, и инженерам.

Конструкторский отдел помогает осуществить:

- Регистрацию проекта у производителя компонентов.
- Техническую поддержку проекта.
- Защиту от снятия компонента с производства.
- Оценку стоимости проекта по компонентам.
- Изготовление тестовой платы монтаж и пусконаладочные работы.



Тел: +7 (812) 336 43 04 (многоканальный)

Email: org@lifeelectronics.ru