



Multi-Purpose Flash™ (MPF™) Multi-Purpose Flash Plus (MPF+)

39 Series

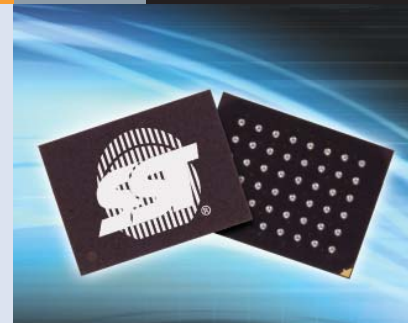
Product Brief

October 2010

Product Description

Multi-Purpose Flash™ (MPF™) and Multi-Purpose Flash Plus (MPF+) make up a family of parallel flash memory products that deliver high performance, low power consumption, superior reliability and small sector size. Based on SST® SuperFlash® technology, MPF and MPF+ provide faster program, erase and read times than conventional flash, thereby saving power consumption and increasing manufacturing throughput.

In addition to offering 3V and 5V memory products, MPF and MPF+ provide 1.8V devices that deliver significant power savings compared to industry standard flash. Ideal for space-constrained applications, this family offers the industry's smallest standard packages, the XFLGA and WFBGA, both as small as 4 mm x 6 mm.



Key Features

Operating Voltages

- 1.65V-1.95V
- 2.7V-3.6V
- 4.5V-5.5V

Low Power Consumption*

- Active current: 5 mA (typical)
- Standby current: 3 µA (typical)

Fast Read Access Times*

- 45 ns
- 55 ns
- 70 ns

Fast Programming*

- 14 µs per word (typical)

Flexible Erase Capability and Fast Erase Times*

- 2 Kword Sector Erase: 18 ms (typical)
- 32 Kword Block Erase: 18 ms (typical)
- Chip Erase: 70 ms (typical)

Small Uniform Sector Sizes: 2 Kword and 32 Kword

Commercial and Industrial Operating Temperatures

Endurance: 100,000 cycles (typical)

Data Retention: 100 years (min)

MPF+ Offers Additional Features

- Erase suspend
- Boot block
- Hardware reset features

*Data varies for different devices, please refer to datasheet for details.

39 Series: Multi-Purpose Flash (MPF) Packages*

Voltage	Density	32-pin PDIP (PHE)	32-pin PLCC (NHE)	32-pin TSOP (WHE)	34-ball WFBGA (MME)	48-ball TFBGA (B3KE)	48-lead TSOP (EKE)	48-bump XFLGA (C1OE) (CAQE)	48-ball WFBGA (M1OE) (MAQE)
1.8V	4 Mbit					•		•	•
	8 Mbit					•		•	•
	16 Mbit					•		•	•
3V	512 Kbit		•	•					
	1 Mbit		•	•	•	•			
	2 Mbit		•	•	•	•	•		•
	4 Mbit		•	•		•	•	•	•
	8 Mbit					•	•	•	•
	16 Mbit					•	•	•	•
	32 Mbit					•	•		
	64 Mbit					•	•		
5V	1 Mbit	•	•	•					
	2 Mbit	•	•	•					
	4 Mbit	•	•	•					

*Wafer/Die (Known Good Die) sales of above devices are also available. Please contact SST sales for detailed information.

Applications

- Bluetooth
- GPS
- Digital TVs
- Digital Media Players, MP3 Players
- WiFi/ WIMAX
- Printers
- Digital Photo Frames
- Mobile Phones
- DSL/Cable Modems
- Servers and Routers
- Set Top Boxes
- Digital Cameras
- Industrial
- Automotive Infotainment

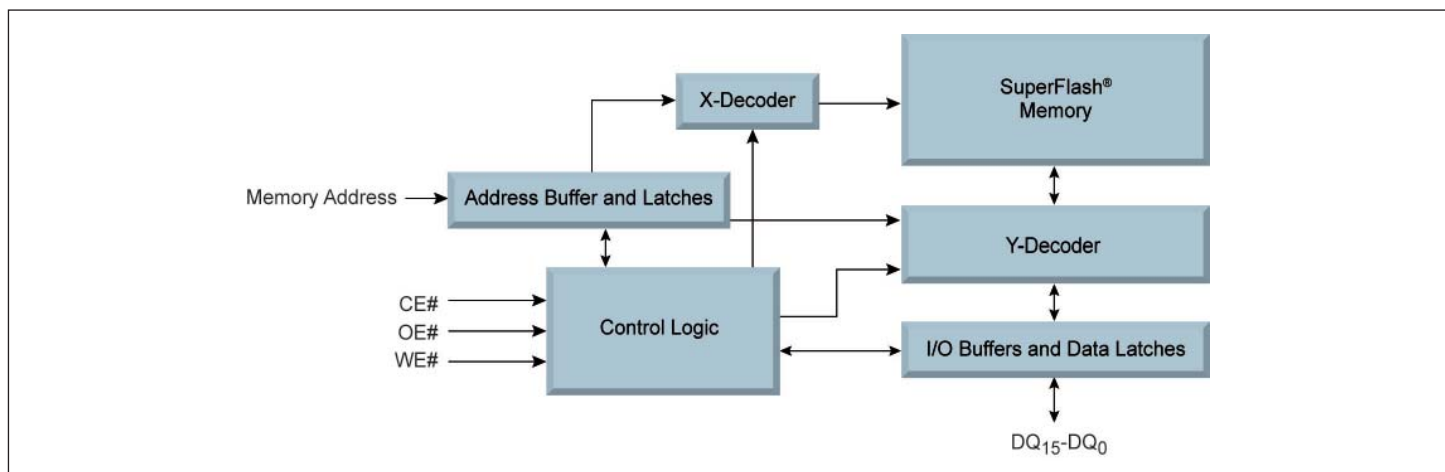


Silicon Storage Technology, Inc.
1020 Kifer Road
Sunnyvale, CA 94086-5308
Tel: (408) 735-9110
Fax: (408) 735-9036

www.SST.com
www.SuperFlash.com

Parallel Flash Memory, 1.8V				
Device	Density	Voltage	Access Speed (ns)	Packages
SST39WF400B	4 Mbit (256K x16)	1.65-1.95V	70	TFBGA-48 (6 mm x 8 mm), WFBGA-48 (4 mm x 6 mm), XFLGA-48 (4 mm x 6 mm)
SST39WF800B	8 Mbit (512K x16)	1.65-1.95V	70	TFBGA-48 (6 mm x 8 mm), WFBGA-48 (4 mm x 6 mm), XFLGA-48 (4 mm x 6 mm)
SST39WF1601/1602	16 Mbit (1 Mb x16)	1.65-1.95V	70	TFBGA-48 (6 mm x 8 mm), WFBGA-48 (4 mm x 6 mm)
Parallel Flash Memory, 3V				
SST39LF/VF512	512 Mbit (64K x16)	LF: 3.0-3.6V VF: 2.7-3.6V	LF: 45 VF: 70	PLCC-32, TSOP-32 (8 mm x 14 mm)
SST39LF/VF010	1 Mbit (128K x8)	LF: 3.0-3.6V VF: 2.7-3.6V	LF: 55 VF: 70	PLCC-32, TSOP-32 (8 mm x 14 mm), TFBGA-48 (6 mm x 8 mm), WFBGA-34 (4 mm x 6 mm)
SST39LF/VF020	2 Mbit (256K x8)	LF: 3.0-3.6V VF: 2.7-3.6V	LF: 55 VF: 70	PLCC-32, TSOP-32 (8 mm x 14 mm), TFBGA-48 (6 mm x 8 mm), WFBGA-34 (4 mm x 6 mm)
SST39LF/VF200A	2 Mbit (128K x16)	LF: 3.0-3.6V VF: 2.7-3.6V	LF: 55 VF: 70	TSOP-48 (12 mm x 20 mm), TFBGA-48 (6 mm x 8 mm), WFBGA-48 (4 mm x 6 mm)
SST39LF/VF040	4 Mbit (512K x8)	LF: 3.0-3.6V VF: 2.7-3.6V	LF: 55 VF: 70	PLCC-32, TSOP-32 (8 mm x 14 mm), TFBGA-48 (6 mm x 8 mm)
SST39LF/VF400A	4 Mbit (256K x16)	LF: 3.0-3.6V VF: 2.7-3.6V	LF: 55 VF: 70	TSOP-48 (12 mm x 20 mm), TFBGA-48 (6 mm x 8 mm), WFBGA-48 (4 mm x 6 mm), XFLGA-48 (4 mm x 6 mm)
SST39LF/VF800A	8 Mbit (512K x16)	LF: 3.0-3.6V VF: 2.7-3.6V	LF: 55 VF: 70	TSOP-48 (12 mm x 20 mm), TFBGA-48 (6 mm x 8 mm), WFBGA-48 (4 mm x 6 mm), XFLGA-48 (4 mm x 6 mm)
SST39VF1601C/1602C	16 Mbit (1 Mb x16)	2.7-3.6V	70	TSOP-48 (12 mm x 20 mm), TFBGA-48 (6 mm x 8 mm), WFBGA-48 (4 mm x 6 mm)
SST39VF1681/1682	16 Mbit (2Mb x8)	2.7-3.6V	70	TSOP-48 (12 mm x 20 mm), TFBGA-48 (6 mm x 8 mm)
SST39VF3201B/2B	32 Mbit (2 Mb x16)	2.7-3.6V	70	TSOP-48 (12 mm x 20 mm), TFBGA-48 (6 mm x 8 mm)
SST39VF6401B/2B	64 Mbit (4 Mb x16)	2.7-3.6V	70	TSOP-48 (12 mm x 20 mm), TFBGA-48 (8 mm x 10 mm)
Parallel Flash Memory, 5V				
SST39SF010A	1 Mbit (128K x8)	4.5-5.5V	55, 70	PLCC-32, TSOP-32 (8 mm x 14 mm), PDIP-32
SST39SF020A	2 Mbit (256K x8)	4.5-5.5V	55, 70	PLCC-32, TSOP-32 (8 mm x 14 mm), PDIP-32
SST39SF040	4 Mbit (512K x8)	4.5-5.5V	55, 70	PLCC-32, TSOP-32 (8 mm x 14 mm), PDIP-32

Functional Block Diagram



www.SST.com

Silicon Storage Technology, Inc.
 1020 Kifer Road
 Sunnyvale, CA 94086-5308
 Tel: (408) 735-9110
 Fax: (408) 735-9036

Silicon Storage Technology, Inc., a wholly owned subsidiary of Microchip Technology Inc.

© 2010 Silicon Storage Technology, Inc. All rights reserved. The SST logo, SST and SuperFlash are registered trademarks and Multi-Purpose Flash and MPF are trademarks of Silicon Storage Technology, Inc. These specifications are subject to change without notice. Printed in the U.S.A. 10/10
 DS01360A



Компания «Life Electronics» занимается поставками электронных компонентов импортного и отечественного производства от производителей и со складов крупных дистрибьюторов Европы, Америки и Азии.

С конца 2013 года компания активно расширяет линейку поставок компонентов по направлению коаксиальный кабель, кварцевые генераторы и конденсаторы (керамические, пленочные, электролитические), за счёт заключения дистрибьюторских договоров

Мы предлагаем:

- Конкурентоспособные цены и скидки постоянным клиентам.
- Специальные условия для постоянных клиентов.
- Подбор аналогов.
- Поставку компонентов в любых объемах, удовлетворяющих вашим потребностям.
- Приемлемые сроки поставки, возможна ускоренная поставка.
- Доставку товара в любую точку России и стран СНГ.
- Комплексную поставку.
- Работу по проектам и поставку образцов.
- Формирование склада под заказчика.
- Сертификаты соответствия на поставляемую продукцию (по желанию клиента).
- Тестирование поставляемой продукции.
- Поставку компонентов, требующих военную и космическую приемку.
- Входной контроль качества.
- Наличие сертификата ISO.

В составе нашей компании организован Конструкторский отдел, призванный помогать разработчикам, и инженерам.

Конструкторский отдел помогает осуществить:

- Регистрацию проекта у производителя компонентов.
- Техническую поддержку проекта.
- Защиту от снятия компонента с производства.
- Оценку стоимости проекта по компонентам.
- Изготовление тестовой платы монтаж и пусконаладочные работы.



Тел: +7 (812) 336 43 04 (многоканальный)

Email: org@lifeelectronics.ru