

3.3V Software-Selectable Multiprotocol Transceiver with Termination

FEATURES

- **Software-Selectable Transceiver Supports:**
RS232, RS449, EIA530, EIA530-A, V.35, V.36, X.21
- **Operates from Single 3.3V Supply**
- TUV Rheinland of North America Inc. Certified NET1, NET2 and TBR2 Compliant, Report No.: TBR2/050101/02, TBR2/051501/02
- 1.2MHz Boost Switching Regulator for 3.3V to 5V Conversion
- On-Chip Cable Termination
- Complete DTE or DCE Port with LTC2844 or LTC2845
- Small Footprint
- Available in 36-Lead SSOP (0.209 Wide) Package


APPLICATIONS

- Data Networking
- CSU and DSU
- Data Routers

DESCRIPTION

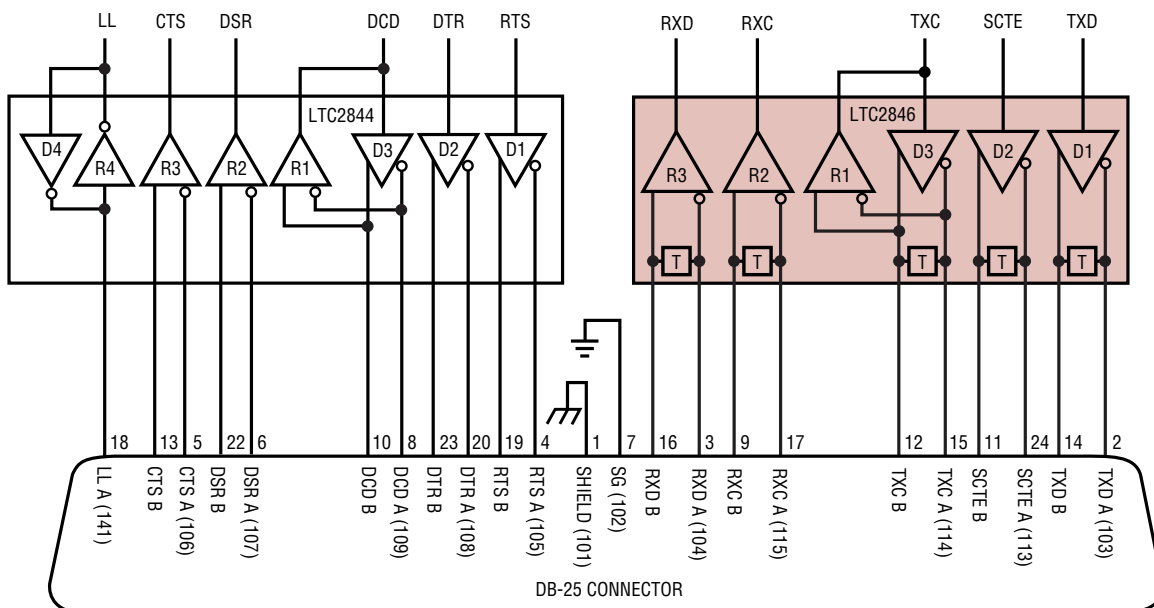
The LTC[®]2846 is a 3-driver/3-receiver multiprotocol transceiver with on-chip cable termination. When combined with the LTC2844 or LTC2845, this chip set forms a complete software-selectable DTE or DCE interface port that supports the RS232, RS449, EIA530, EIA530-A, V.35, V.36 and X.21 protocols. All necessary cable termination is provided inside the LTC2846. The LTC2846 has a boost regulator that takes in a 3.3V input and switches at 1.2MHz, allowing the use of tiny, low cost capacitors and inductors 2mm or less in height. The 5V output drives an internal charge pump that requires only five space-saving surface mounted capacitors. The LTC2846 is available in a 36-lead SSOP surface mount package.

The 5V output drives an internal charge pump that requires only five space-saving surface mounted capacitors. The LTC2846 is available in a 36-lead SSOP surface mount package.

 LTC and LT are registered trademarks of Linear Technology Corporation.

TYPICAL APPLICATION

Complete DTE or DCE Multiprotocol Serial Interface with DB-25 Connector



2846 TA01

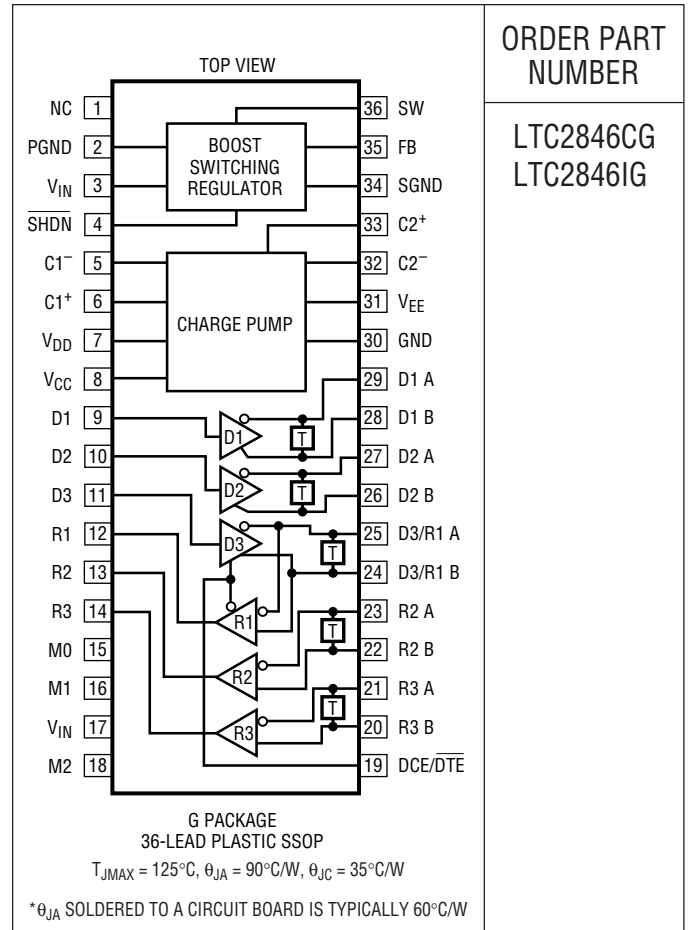
sn2846 2846fs

ABSOLUTE MAXIMUM RATINGS

(Note 1)

V_{CC} Voltage	-0.3V to 6.5V
V_{IN} Voltage	-0.3V to 6.5V
Input Voltage	
Transmitters	-0.3V to ($V_{CC} + 0.3V$)
Receivers	-18V to 18V
Logic Pins	-0.3V to ($V_{CC} + 0.3V$)
Output Voltage	
Transmitters	($V_{EE} - 0.3V$) to ($V_{DD} + 0.3V$)
Receivers	-0.3V to ($V_{IN} + 0.3V$)
V_{EE}	-10V to 0.3V
V_{DD}	-0.3V to 10V
Short-Circuit Duration	
Transmitter Output	Indefinite
Receiver Output	Indefinite
V_{EE}	30 sec
SW Voltage	-0.4V to 36V
FB Voltage	-0.3V to 2.5V
Current into FB Pin	$\pm 1mA$
SHDN Voltage	-0.3V to 10V
Operating Temperature Range	
LTC2846C	0°C to 70°C
LTC2846I	-40°C to 85°C
Storage Temperature Range	-65°C to 150°C
Lead Temperature (Soldering, 10 sec)	300°C

PACKAGE/ORDER INFORMATION



ORDER PART NUMBER

LTC2846CG
LTC2846IG

Consult LTC Marketing for parts specified with wider operating temperature ranges.

ELECTRICAL CHARACTERISTICS

The ● denotes specifications which apply over the full operating temperature range, otherwise specifications are at $T_A = 25^\circ C$. $V_{CC} = 5V$, $V_{IN} = 3.3V$, $V_{SHDN} = V_{IN}$, unless otherwise noted. (Notes 2, 3)

SYMBOL	PARAMETER	CONDITIONS	MIN	TYP	MAX	UNITS
Supplies						
I_{CC}	V_{CC} Supply Current (DCE Mode, All Digital Pins = GND or V_{IN})	RS530, RS530-A, X.21 Modes, No Load	●	14		mA
		RS530, RS530-A, X.21 Modes, Full Load	●	100	130	mA
		V.35 Mode	●	126	170	mA
		V.28 Mode, No Load	●	20		mA
		V.28 Mode, Full Load	●	35	75	mA
	No-Cable Mode	●	300	900	μA	
P_D	Internal Power Dissipation (DCE Mode)	RS530, RS530-A, X.21 Modes, Full Load		550		mW
		V.35 Mode, Full Load		775		mW
		V.28 Mode, Full Load		200		mW
V^+	Positive Charge Pump Output Voltage	V.11 or V.28 Mode, No Load	●	8	9.3	V
		V.35 Mode	●	7	8.0	V
		V.28 Mode, with Load	●	8	8.7	V
		V.28 Mode, with Load, $I_{DD} = 10mA$	●		6.5	V

ELECTRICAL CHARACTERISTICS

The ● denotes specifications which apply over the full operating temperature range, otherwise specifications are at $T_A = 25^\circ\text{C}$. $V_{CC} = 5\text{V}$, $V_{IN} = 3.3\text{V}$, $V_{SHDN} = V_{IN}$, unless otherwise noted. (Notes 2, 3)

SYMBOL	PARAMETER	CONDITIONS	MIN	TYP	MAX	UNITS
V^-	Negative Charge Pump Output Voltage	V.28 Mode, No Load		-9.6		V
		V.28 Mode, Full Load	●	-7.5	-8.5	V
		V.35 Mode	●	-5.5	-6.5	V
		RS530, RS530-A, X.21 Modes, Full Load	●	-4.5	-6.0	V
f_{OSC}	Charge Pump Oscillator Frequency			500		kHz
t_r	Charge Pump Rise Time	No-Cable Mode/Power-Off to Normal Operation		2		ms

Logic Inputs and Outputs

V_{IH}	Logic Input High Voltage	D1, D2, D3, M0, M1, M2, DCE/ $\overline{\text{DTE}}$ SHDN	●	2.0			V
				2.4			V
V_{IL}	Logic Input Low Voltage	D1, D2, D3, M0, M1, M2, DCE/ $\overline{\text{DTE}}$ SHDN	●			0.8	V
						0.5	V
I_{IN}	Logic Input Current	D1, D2, D3 M0, M1, M2, DCE/ $\overline{\text{DTE}}$ = GND M0, M1, M2, DCE/ $\overline{\text{DTE}}$ = V_{IN} SHDN = GND SHDN = 3V	● ● ●			± 10	μA
				-30	-75	-120	μA
						± 10	μA
					16	32	μA
							μA
V_{OH}	Output High Voltage	$I_O = -3\text{mA}$	●	2.7	3		V
V_{OL}	Output Low Voltage	$I_O = 1.6\text{mA}$	●		0.2	0.4	V
I_{OSR}	Output Short-Circuit Current	$0\text{V} \leq V_O \leq V_{IN}$	●			± 50	mA
I_{OZR}	Three-State Output Current	M0 = M1 = M2 = V_{IN} , $V_O = \text{GND}$ M0 = M1 = M2 = V_{IN} , $V_O = V_{IN}$	● ●	-30	-85	-160	μA
						± 10	μA

V.11 Driver

V_{ODO}	Open Circuit Differential Output Voltage	$R_L = 1.95\text{k}$ (Figure 1)	●			± 5	V
V_{ODL}	Loaded Differential Output Voltage	$R_L = 50\Omega$ (Figure 1) $R_L = 50\Omega$ (Figure 1)	●	$0.5V_{ODO}$		$0.67V_{ODO}$	V
				± 2			V
ΔV_{OD}	Change in Magnitude of Differential Output Voltage	$R_L = 50\Omega$ (Figure 1)	●			0.2	V
V_{OC}	Common Mode Output Voltage	$R_L = 50\Omega$ (Figure 1)	●			3	V
ΔV_{OC}	Change in Magnitude of Common Mode Output Voltage	$R_L = 50\Omega$ (Figure 1)	●			0.2	V
I_{SS}	Short-Circuit Current	$V_{OUT} = \text{GND}$				± 150	mA
I_{OZ}	Output Leakage Current	$ V_A $ and $ V_B \leq 0.25\text{V}$, Power Off or No-Cable Mode or Driver Disabled	●		± 1	± 100	μA
t_r, t_f	Rise or Fall Time	(Figures 2, 13)	●	2	15	25	ns
t_{PLH}	Input to Output Rising	(Figures 2, 13)	●	15	40	65	ns
t_{PHL}	Input to Output Falling	(Figures 2, 13)	●	15	40	65	ns
Δt	Input to Output Difference, $ t_{PLH} - t_{PHL} $	(Figures 2, 13)	●	0	3	12	ns
t_{SKEW}	Output to Output Skew	(Figures 2, 13)			3		ns

ELECTRICAL CHARACTERISTICS

The ● denotes specifications which apply over the full operating temperature range, otherwise specifications are at $T_A = 25^\circ\text{C}$. $V_{CC} = 5\text{V}$, $V_{IN} = 3.3\text{V}$, $V_{SHDN} = V_{IN}$, unless otherwise noted. (Notes 2, 3)

SYMBOL	PARAMETER	CONDITIONS	MIN	TYP	MAX	UNITS	
V.11 Receiver							
V_{TH}	Input Threshold Voltage	$-7\text{V} \leq V_{CM} \leq 7\text{V}$	●	-0.2	0.2	V	
ΔV_{TH}	Input Hysteresis	$-7\text{V} \leq V_{CM} \leq 7\text{V}$	●	15	40	mV	
R_{IN}	Input Impedance	$-7\text{V} \leq V_{CM} \leq 7\text{V}$ (Figure 3)	●	100	103	Ω	
t_r, t_f	Rise or Fall Time	$C_L = 50\text{pF}$ (Figures 4, 14)		15		ns	
t_{PLH}	Input to Output Rising	$C_L = 50\text{pF}$ (Figures 4, 14)	●	50	90	ns	
t_{PHL}	Input to Output Falling	$C_L = 50\text{pF}$ (Figures 4, 14)	●	50	90	ns	
Δt	Input to Output Difference, $ t_{PLH} - t_{PHL} $	$C_L = 50\text{pF}$ (Figures 4, 14)	●	0	4	25	ns
V.35 Driver							
V_{OD}	Differential Output Voltage	Open Circuit, $R_L = 1.95\text{k}$ (Figure 5) With Load, $-4\text{V} \leq V_{CM} \leq 4\text{V}$ (Figure 6)	●	± 0.44	± 0.55	± 1.2 ± 0.66	V V
V_{OA}, V_{OB}	Single-Ended Output Voltage	Open Circuit, $R_L = 1.95\text{k}$ (Figure 5)	●			± 1.2	V
V_{OC}	Transmitter Output Offset	$R_L = 50\Omega$ (Figure 5)	●			± 0.6	V
I_{OH}	Transmitter Output High Current	$V_A, V_B = 0\text{V}$	●	-9	-11	-13	mA
I_{OL}	Transmitter Output Low Current	$V_A, V_B = 0\text{V}$	●	9	11	13	mA
I_{OZ}	Transmitter Output Leakage Current	$ V_A $ and $ V_B \leq 0.25\text{V}$	●		± 1	± 100	μA
R_{OD}	Transmitter Differential Mode Impedance		●	50	100	150	Ω
R_{OC}	Transmitter Common Mode Impedance	$-2\text{V} \leq V_{CM} \leq 2\text{V}$ (Figure 7)		135	150	165	Ω
t_r, t_f	Rise or Fall Time	(Figures 8, 13)		5			ns
t_{PLH}	Input to Output	(Figures 8, 13)	●	15	35	65	ns
t_{PHL}	Input to Output	(Figures 8, 13)	●	15	35	65	ns
Δt	Input to Output Difference, $ t_{PLH} - t_{PHL} $	(Figures 8, 13)	●		0	16	ns
t_{SKEW}	Output to Output Skew	(Figures 8, 13)		4			ns
V.35 Receiver							
V_{TH}	Differential Receiver Input Threshold Voltage	$-2\text{V} \leq V_{CM} \leq 2\text{V}$ (Figure 9)	●	-0.2	0.2	V	
ΔV_{TH}	Receiver Input Hysteresis	$-2\text{V} \leq V_{CM} \leq 2\text{V}$ (Figure 9)	●		15	40	mV
R_{ID}	Receiver Differential Mode Impedance	$-2\text{V} \leq V_{CM} \leq 2\text{V}$	●	90	103	110	Ω
R_{IC}	Receiver Common Mode Impedance	$-2\text{V} \leq V_{CM} \leq 2\text{V}$ (Figure 10)		135	150	165	Ω
t_r, t_f	Rise or Fall Time	$C_L = 50\text{pF}$ (Figures 4, 14)			15		ns
t_{PLH}	Input to Output	$C_L = 50\text{pF}$ (Figures 4, 14)	●		50	90	ns
t_{PHL}	Input to Output	$C_L = 50\text{pF}$ (Figures 4, 14)	●		50	90	ns
Δt	Input to Output Difference, $ t_{PLH} - t_{PHL} $	$C_L = 50\text{pF}$ (Figures 4, 14)	●	0	4	25	ns
V.28 Driver							
V_O	Output Voltage	Open Circuit $R_L = 3\text{k}$ (Figure 11)	● ●	± 5	± 8.5	± 10	V V
I_{SS}	Short-Circuit Current	$V_{OUT} = \text{GND}$	●			± 150	mA
R_{OZ}	Power-Off Resistance	$-2\text{V} < V_O < 2\text{V}$, Power Off or No-Cable Mode	●	300			Ω
SR	Slew Rate	$R_L = 7\text{k}$, $C_L = 0$ (Figures 11, 15)	●	4		30	V/ μs
t_{PLH}	Input to Output	$R_L = 3\text{k}$, $C_L = 2500\text{pF}$ (Figures 11, 15)	●		1.5	2.5	μs
t_{PHL}	Input to Output	$R_L = 3\text{k}$, $C_L = 2500\text{pF}$ (Figures 11, 15)	●		1.5	2.5	μs

ELECTRICAL CHARACTERISTICS

The ● denotes specifications which apply over the full operating temperature range, otherwise specifications are at $T_A = 25^\circ\text{C}$. $V_{CC} = 5\text{V}$, $V_{IN} = 3.3\text{V}$, $V_{SHDN} = V_{IN}$, unless otherwise noted. (Notes 2, 3)

SYMBOL	PARAMETER	CONDITIONS	MIN	TYP	MAX	UNITS	
V.28 Receiver							
V_{THL}	Input Low Threshold Voltage	(Figure 12)	●		0.8	V	
V_{TLH}	Input High Threshold Voltage	(Figure 12)	●	2		V	
ΔV_{TH}	Receiver Input Hysteresis	(Figure 12)	●	0	0.05	0.3	V
R_{IN}	Receiver Input Impedance	$-15\text{V} \leq V_A \leq 15\text{V}$	●	3	5	7	k Ω
t_r, t_f	Rise or Fall Time	$C_L = 50\text{pF}$ (Figures 12, 16)		15			ns
t_{PLH}	Input to Output	$C_L = 50\text{pF}$ (Figures 12, 16)	●	60	300		ns
t_{PHL}	Input to Output	$C_L = 50\text{pF}$ (Figures 12, 16)	●	160	300		ns
Boost Switching Regulator (Note 4)							
V_{IN}	Operating Voltage			3	3.3	3.6	V
V_{FB}	Feedback Voltage		●	1.230	1.255	1.280	V
I_{FB}	FB Pin Bias Current	$V_{FB} = 1.255\text{V}$	●	120	360		nA
I_Q	Quiescent Current	$V_{SHDN} = 2.4\text{V}$, Not Switching		4.2	6		mA
	Quiescent Current in Shutdown	$V_{SHDN} = 0\text{V}$, $V_{IN} = 3\text{V}$		0.01	1		μA
$\Delta V_{FB(LR)}$	Reference Line Regulation	$3\text{V} \leq V_{IN} \leq 3.6\text{V}$		0.01	0.05		%/V
f	Switching Frequency		●	0.85	1.2	1.6	MHz
DC_{MAX}	Maximum Duty Cycle		●	82	90		%
I_{LIM}	Switch Current Limit	(Note 5)		1	1.2	2	A
V_{SAT}	Switch V_{CESAT}	$I_{SW} = 900\text{mA}$		350			mV
I_{LEAK}	Switch Leakage Current	$V_{SW} = 5\text{V}$		0.01	1		μA

Note 1: Absolute Maximum Ratings are those values beyond which the life of the device may be impaired.

Note 2: All currents into device pins are positive; all currents out of device are negative. All voltages are referenced to device ground unless otherwise specified.

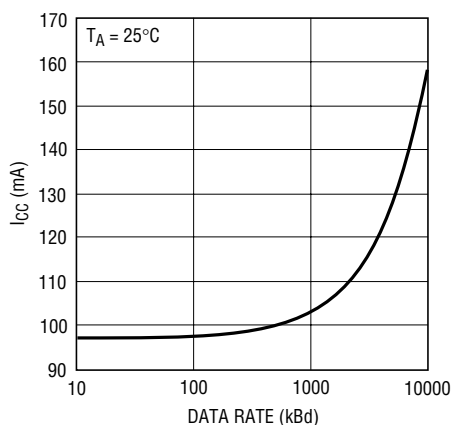
Note 3: All typicals are given for $V_{CC} = 5\text{V}$, $V_{IN} = 3.3\text{V}$, $C_{VCC} = C_{VIN} = 10\mu\text{F}$, $C_{VDD} = 1\mu\text{F}$, $C_{VEE} = 3.3\mu\text{F}$ and $T_A = 25^\circ\text{C}$.

Note 4: The Boost Regulator is specified for $V_{IN} = 3\text{V}$ unless otherwise noted.

Note 5: Current limit guaranteed by design and/or correlation to static test.

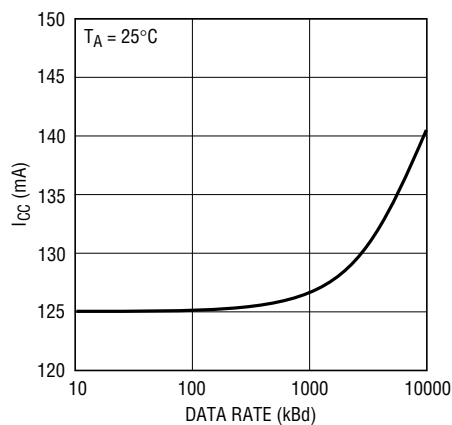
TYPICAL PERFORMANCE CHARACTERISTICS

V.11 Mode I_{CC} vs Data Rate



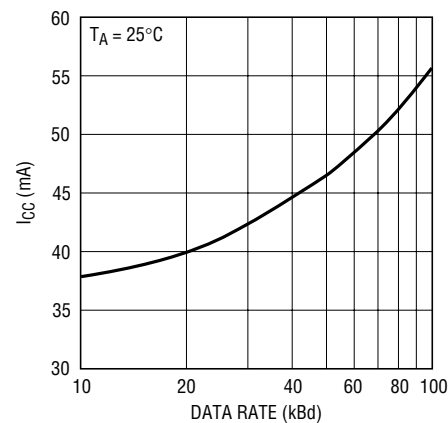
2846 G04

V.35 Mode I_{CC} vs Data Rate



2846 G05

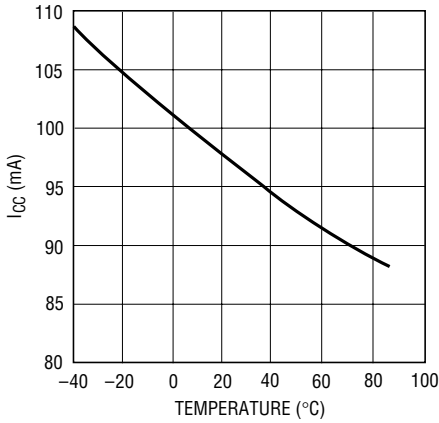
V.28 Mode I_{CC} vs Data Rate



2846 G06

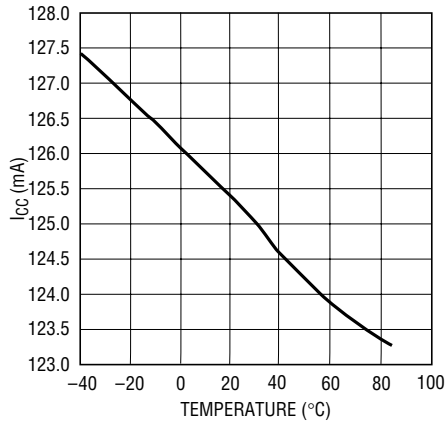
TYPICAL PERFORMANCE CHARACTERISTICS

V.11 Mode I_{CC} vs Temperature



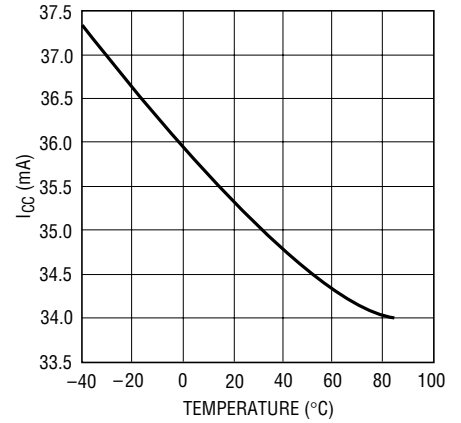
2846 G07

V.35 Mode I_{CC} vs Temperature



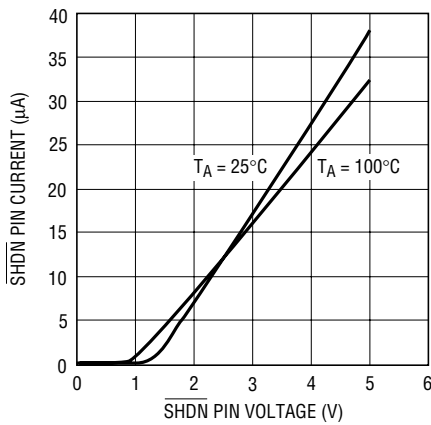
2846 G08

V.28 Mode I_{CC} vs Temperature



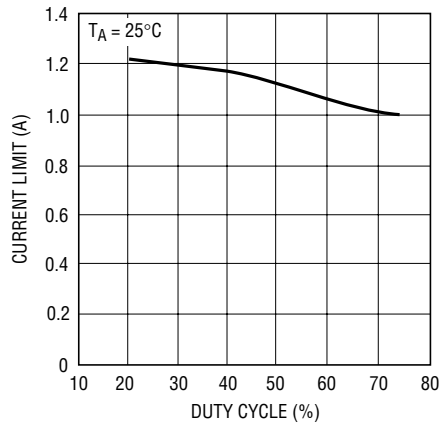
3846 G09

Boost Switching Regulator SHDN Pin Current vs Voltage



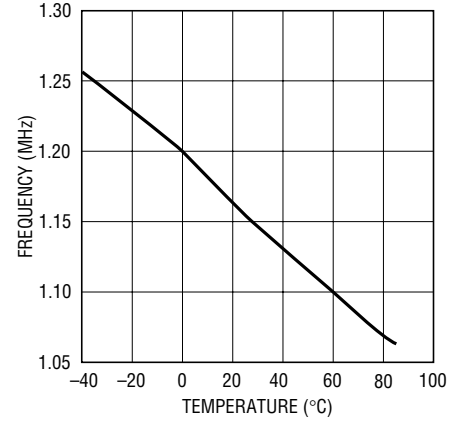
2846 G10

Boost Switching Regulator Current Limit vs Duty Cycle



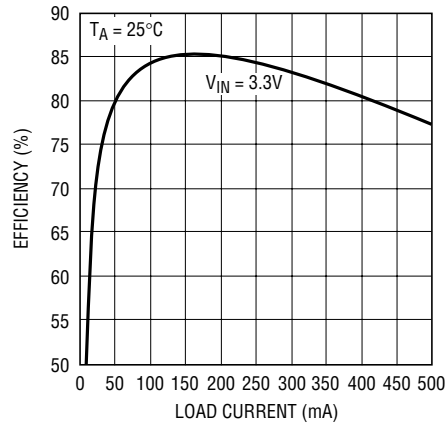
2846 G11

Boost Switching Regulator Oscillator Frequency vs Temperature



2846 G12

Efficiency vs Load Current



2846 TA01b

PIN FUNCTIONS

NC (Pin 1): No Connect.

PGND (Pin 2): Boost Switching Regulator Power Ground. Tie PGND to SGND.

V_{IN} (Pin 3): Input Supply Pin. Input supply to boost switching regulator. $3V \leq V_{IN} \leq 3.6V$. Bypass with a $10\mu F$ capacitor to ground.

SHDN (Pin 4): Boost Switching Regulator Shutdown Pin. Tie to 2.4V or more to enable regulator. Ground to shut down.

C1⁻ (Pin 5): Capacitor C1 Negative Terminal. Connect a $1\mu F$ capacitor between C1⁺ and C1⁻.

C1⁺ (Pin 6): Capacitor C1 Positive Terminal. Connect a $1\mu F$ capacitor between C1⁺ and C1⁻.

V_{DD} (Pin 7): Generated Positive Supply Voltage for V.28. Connect a $1\mu F$ capacitor to ground.

V_{CC} (Pin 8): Input Supply Pin. Input supply to transceiver. $4.75V \leq V_{CC} \leq 5.25V$. Connect to output of switching regulator.

D1 (Pin 9): TTL Level Driver 1 Input.

D2 (Pin 10): TTL Level Driver 2 Input.

D3 (Pin 11): TTL Level Driver 3 Input.

R1 (Pin 12): CMOS Level Receiver 1 Output with Pull-Up to V_{IN} when Three-Stated.

R2 (Pin 13): CMOS Level Receiver 2 Output with Pull-Up to V_{IN} when Three-Stated.

R3 (Pin 14): CMOS Level Receiver 3 Output with Pull-Up to V_{IN} when Three-Stated.

M0 (Pin 15): TTL Level Mode Select Input 0 with Pull-Up to V_{IN}. See Table 1.

M1 (Pin 16): TTL Level Mode Select Input 1 with Pull-Up to V_{IN}. See Table 1.

V_{IN} (Pin 17): Input Supply Pin. Input supply to transceiver. $3V \leq V_{IN} \leq 3.6V$. Connect to Pin 3.

M2 (Pin 18): TTL Level Mode Select Input 2 with Pull-Up to V_{IN}. See Table 1.

DCE/ \overline{DTE} (Pin 19): TTL Level Mode Select Input with Pull-Up to V_{IN}. See Table 1.

R3 B (Pin 20): Receiver 3 Noninverting Input.

R3 A (Pin 21): Receiver 3 Inverting Input.

R2 B (Pin 22): Receiver 2 Noninverting Input.

R2 A (Pin 23): Receiver 2 Inverting Input.

D3/R1 B (Pin 24): Receiver 1 Noninverting Input and Driver 3 Noninverting Output.

D3/R1 A (Pin 25): Receiver 1 Inverting Input and Driver 3 Inverting Output.

D2 B (Pin 26): Driver 2 Noninverting Output.

D2 A (Pin 27): Driver 2 Inverting Output.

D1 B (Pin 28): Driver 1 Noninverting Output.

D1 A (Pin 29): Driver 1 Inverting Output.

GND (Pin 30): Transceiver Ground.

V_{EE} (Pin 31): Generated Negative Supply Voltage. Connect a $3.3\mu F$ capacitor to GND.

C2⁻ (Pin 32): Capacitor C2 Negative Terminal. Connect a $1\mu F$ capacitor between C2⁺ and C2⁻.

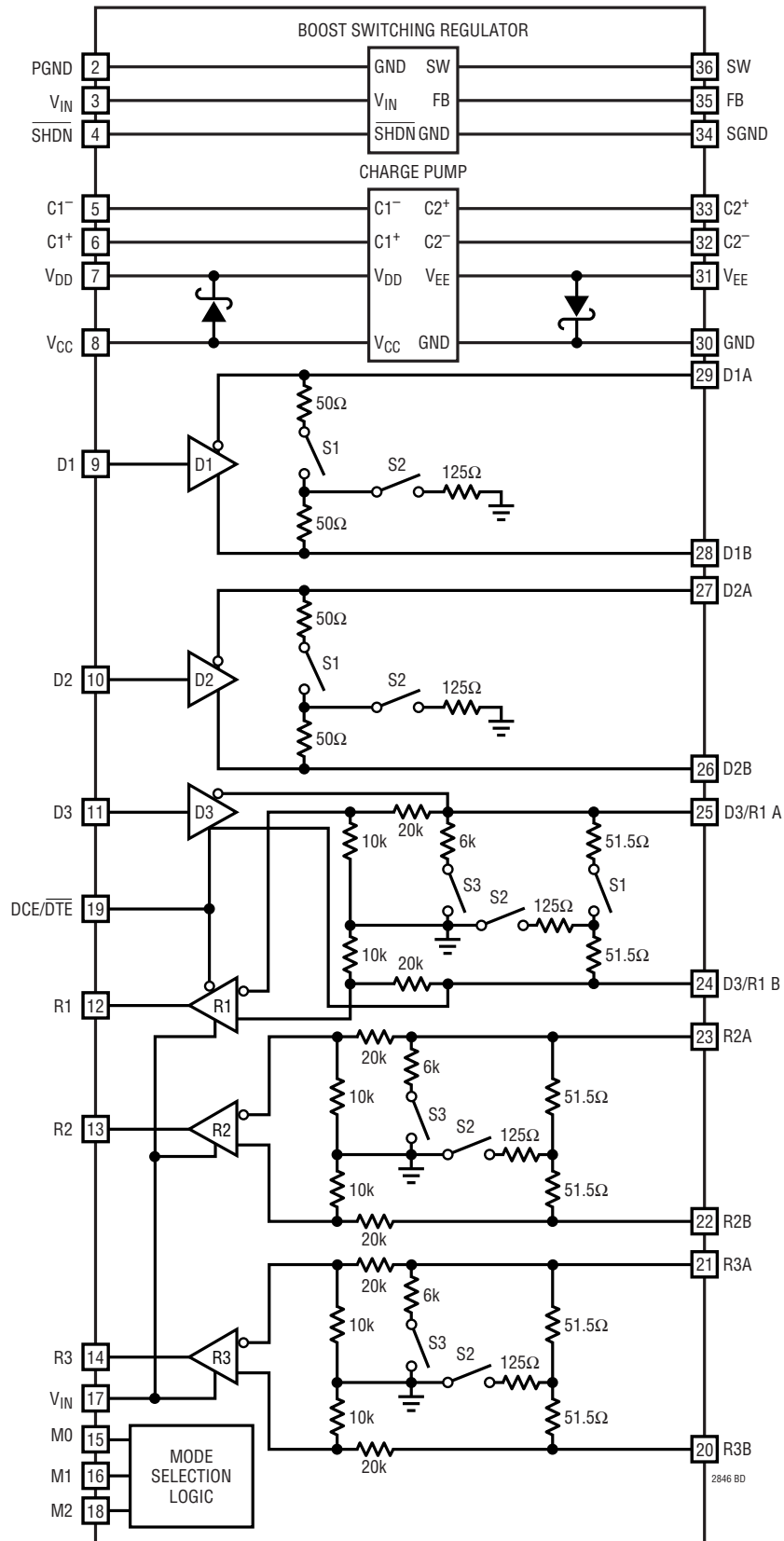
C2⁺ (Pin 33): Capacitor C2 Positive Terminal. Connect a $1\mu F$ capacitor between C2⁺ and C2⁻.

SGND (Pin 34): Boost Switching Regulator Signal Ground. Tie PGND to SGND.

FB (Pin 35): Boost Switching Regulator Feedback Pin. Reference voltage is 1.255V. Connect resistive divider tap here. Minimize trace area at FB.

SW (Pin 36): Boost Switching Regulator Switch Pin. Connect inductor/diode here. Minimize trace area at this pin to reduce EMI.

BLOCK DIAGRAM



TEST CIRCUITS

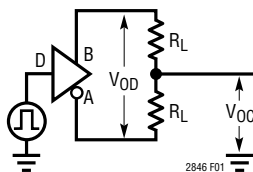


Figure 1. V.11 Driver DC Test Circuit

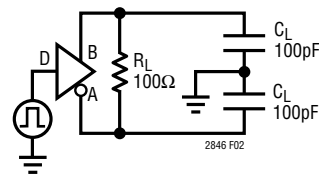


Figure 2. V.11 Driver AC Test Circuit

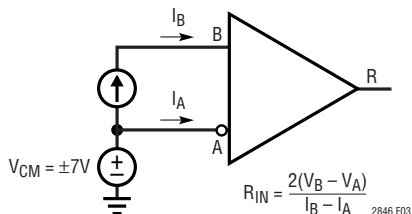


Figure 3. Input Impedance Test Circuit

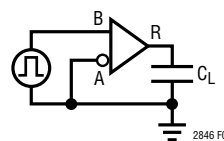


Figure 4. V.11, V.35 Receiver AC Test Circuit

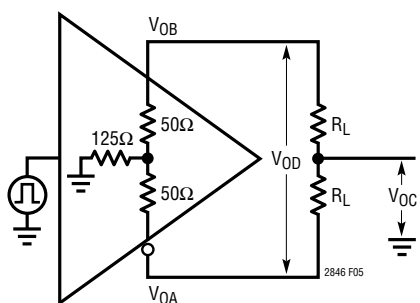


Figure 5. V.35 Driver Open-Circuit Test

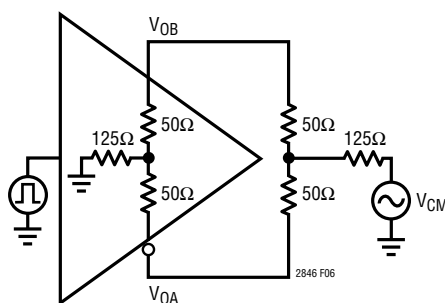


Figure 6. V.35 Driver Test Circuit

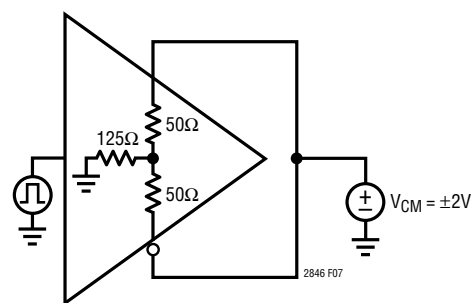


Figure 7. V.35 Driver Common Mode Impedance Test Circuit

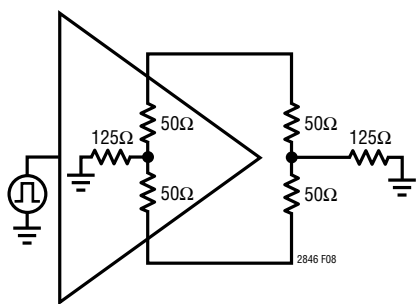


Figure 8. V.35 Driver AC Test Circuit

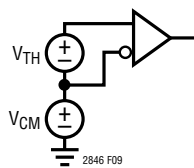


Figure 9. V.35 Receiver DC Test Circuit

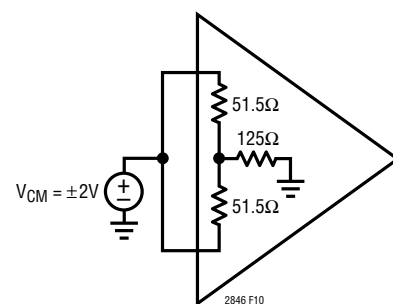


Figure 10. Receiver Common Mode Impedance Test Circuit

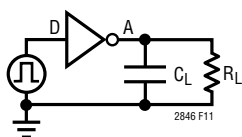


Figure 11. V.28 Driver Test Circuit

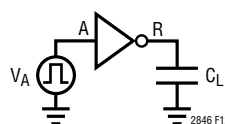


Figure 12. V.28 Receiver Test Circuit

MODE SELECTION

Table 1

Mode Name	M2	M1	M0	DCE/ DTE	D1,2 (Note 1)	D3 (Note 1)	D1		D2		D3		R1 (Note 2)		R2 (Note 2)		R3 (Note 2)		R1 (Note 3)	R2,R3 (Note 3)	V _{DD} (Note 4)	V _{EE} (Note 5)
							A	B	A	B	A	B	A	B	A	B						
Not Used (Default V.11)	0	0	0	0	TTL	X	V.11	V.11	V.11	V.11	Z	Z	V.11	V.11	V.11	V.11	V.11	V.11	CMOS	CMOS	9.3V	-6V
RS530A	0	0	1	0	TTL	X	V.11	V.11	V.11	V.11	Z	Z	V.11	V.11	V.11	V.11	V.11	V.11	CMOS	CMOS	9.3V	-6V
RS530	0	1	0	0	TTL	X	V.11	V.11	V.11	V.11	Z	Z	V.11	V.11	V.11	V.11	V.11	V.11	CMOS	CMOS	9.3V	-6V
X.21	0	1	1	0	TTL	X	V.11	V.11	V.11	V.11	Z	Z	V.11	V.11	V.11	V.11	V.11	V.11	CMOS	CMOS	9.3V	-6V
V.35	1	0	0	0	TTL	X	V.35	V.35	V.35	V.35	Z	Z	V.35	V.35	V.35	V.35	V.35	V.35	CMOS	CMOS	8V	-6.5V
RS449/V.36	1	0	1	0	TTL	X	V.11	V.11	V.11	V.11	Z	Z	V.11	V.11	V.11	V.11	V.11	V.11	CMOS	CMOS	9.3V	-6V
V.28/RS232	1	1	0	0	TTL	X	V.28	Z	V.28	Z	Z	Z	V.28	30k	V.28	30k	V.28	30k	CMOS	CMOS	8.7V	-8.5V
No Cable	1	1	1	0	X	X	Z	Z	Z	Z	Z	Z	30k	30k	30k	30k	30k	30k	Z	Z	4.7V	0.3V
Not Used (Default V.11)	0	0	0	1	TTL	TTL	V.11	V.11	V.11	V.11	V.11	V.11	30k	30k	V.11	V.11	V.11	V.11	Z	CMOS	9.3V	-6V
RS530A	0	0	1	1	TTL	TTL	V.11	V.11	V.11	V.11	V.11	V.11	30k	30k	V.11	V.11	V.11	V.11	Z	CMOS	9.3V	-6V
RS530	0	1	0	1	TTL	TTL	V.11	V.11	V.11	V.11	V.11	V.11	30k	30k	V.11	V.11	V.11	V.11	Z	CMOS	9.3V	-6V
X.21	0	1	1	1	TTL	TTL	V.11	V.11	V.11	V.11	V.11	V.11	30k	30k	V.11	V.11	V.11	V.11	Z	CMOS	9.3V	-6V
V.35	1	0	0	1	TTL	TTL	V.35	V.35	V.35	V.35	V.35	V.35	30k	30k	V.35	V.35	V.35	V.35	Z	CMOS	8V	-6.5V
RS449/V.36	1	0	1	1	TTL	TTL	V.11	V.11	V.11	V.11	V.11	V.11	30k	30k	V.11	V.11	V.11	V.11	Z	CMOS	9.3V	-6V
V.28/RS232	1	1	0	1	TTL	TTL	V.28	Z	V.28	Z	V.28	Z	30k	30k	V.28	30k	V.28	30k	Z	CMOS	8.7V	-8.5V
No Cable	1	1	1	1	X	X	Z	Z	Z	Z	Z	Z	30k	30k	30k	30k	30k	30k	Z	Z	4.7V	0.3V

Note 1: Driver inputs are TTL level compatible.

Note 2: Unused receiver inputs are terminated with 30k to ground. In addition, R2 and R3 are always terminated by a 103k differential impedance (see Block Diagram on page 8).

Note 3: Receiver Outputs are CMOS level compatible and have a weak pull up to V_{IN} when Z.

Note 4: V_{DD} values shown are typical values for V_{CC} = 5V, V_{IN} = 3.3V and T_A = 25°C with LTC2846 under full load for each mode.

Note 5: V_{EE} values shown are typical values for V_{CC} = 5V, V_{IN} = 3.3V and T_A = 25°C with LTC2846 under full load for each mode.

SWITCHING TIME WAVEFORMS

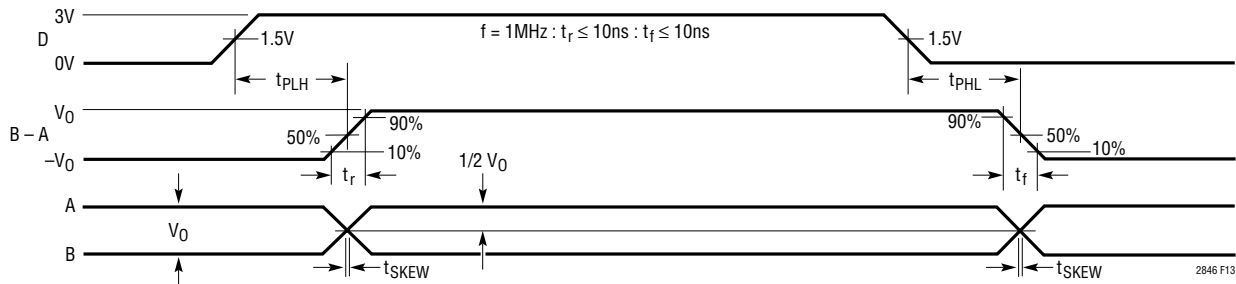


Figure 13. V.11, V.35 Driver Propagation Delays

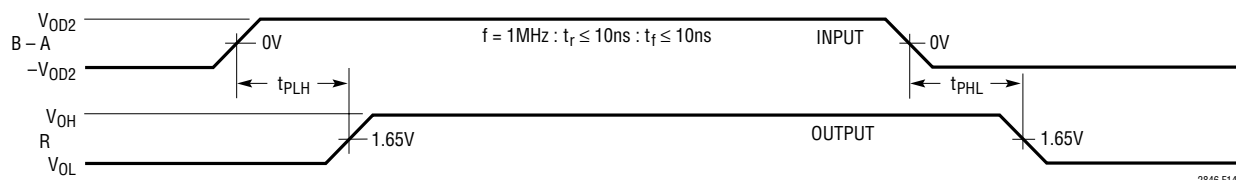


Figure 14. V.11, V.35 Receiver Propagation Delays

SWITCHING TIME WAVEFORMS

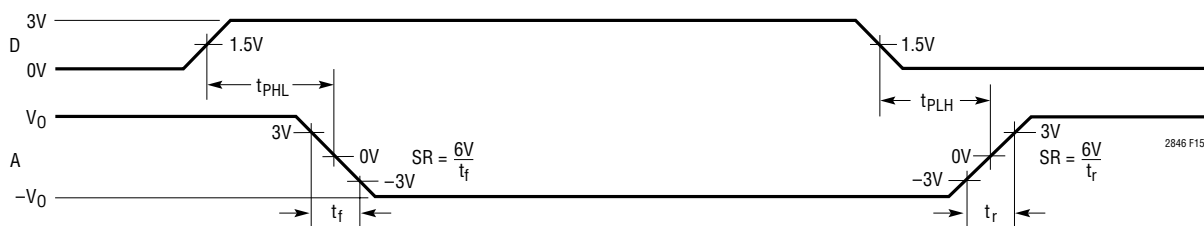


Figure 15. V.28 Driver Propagation Delays

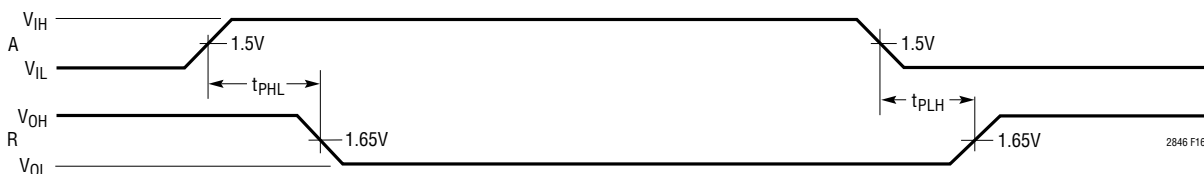


Figure 16. V.28 Receiver Propagation Delays

APPLICATIONS INFORMATION

Overview

The LTC2846 consists of a boost switching regulator, a charge pump and a 3-driver/3-receiver transceiver. The boost switching regulator generates a 5V V_{CC} from the 3.3V input at V_{IN} to power the charge pump and transceiver. The charge pump generates the V_{DD} and V_{EE} supplies. The LTC2846's V_{CC} , V_{DD} and V_{EE} supplies can be used to power a companion chip like the LTC2844 or LTC2845. The receiver outputs are driven between 0V and V_{IN} to interface with 3.3V logic.

The LTC2846 and LTC2844 form a complete software-selectable DTE or DCE interface port that supports the RS232, RS449, EIA530, EIA530-A, V.35, V.36 and X.21 protocols. Cable termination is provided on-chip, eliminating the need for discrete termination designs.

A complete DCE-to-DTE interface operating in EIA530 mode is shown in Figure 17. The LTC2846 half of each port is used to generate and appropriately terminate the clock and data signals. The LTC2844 is used to generate the control signals along with LL (Local Loopback).

Mode Selection

The interface protocol is selected using the mode select pins M0, M1 and M2 (see Table 1).

For example, if the port is configured as a V.35 interface, the mode selection pins should be M2 = 1, M1 = 0, M0 = 0. For the control signals, the drivers and receivers will operate in V.28 (RS232) electrical mode. For the clock and data signals, the drivers and receivers will operate in V.35 electrical mode. The DCE/DTE pin will configure the port for DCE mode when high, and DTE when low.

The interface protocol may be selected simply by plugging the appropriate interface cable into the connector. The mode pins are routed to the connector and are left unconnected (1) or wired to ground (0) in the cable as shown in Figure 18. The internal pull-up current sources will ensure a binary 1 when a pin is left unconnected.

The mode selection may also be accomplished by using jumpers to connect the mode pins to ground or V_{IN} .

APPLICATIONS INFORMATION

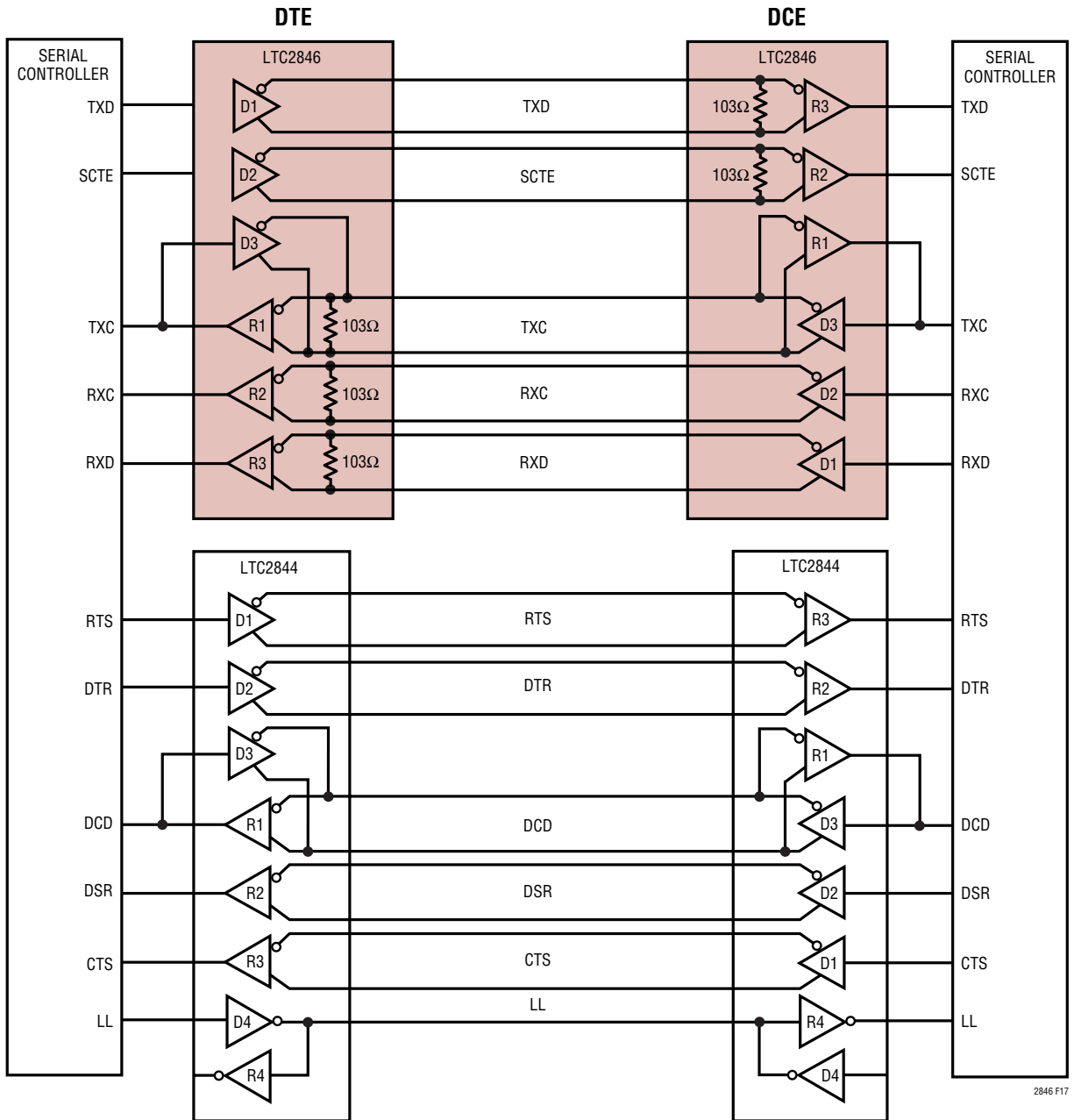


Figure 17. Complete Multiprotocol Interface in EIA530 Mode

When the cable is removed, leaving all mode pins unconnected, the LTC2846/LTC2844 will enter no-cable mode. In this mode the LTC2846/LTC2844 supply current drops to less than 900µA and the LTC2846/LTC2844 driver outputs are forced into a high impedance state. At the same time, the R2 and R3 receivers of the LTC2846 are differentially terminated with 103Ω and the other receivers on

the LTC2846 and LTC2844 are terminated with 30kΩ to ground.

Cable Termination

Traditional implementations used expensive relays to switch resistors or required the user to change termination modules every time a new interface standard was

sn2846 2846fs

APPLICATIONS INFORMATION

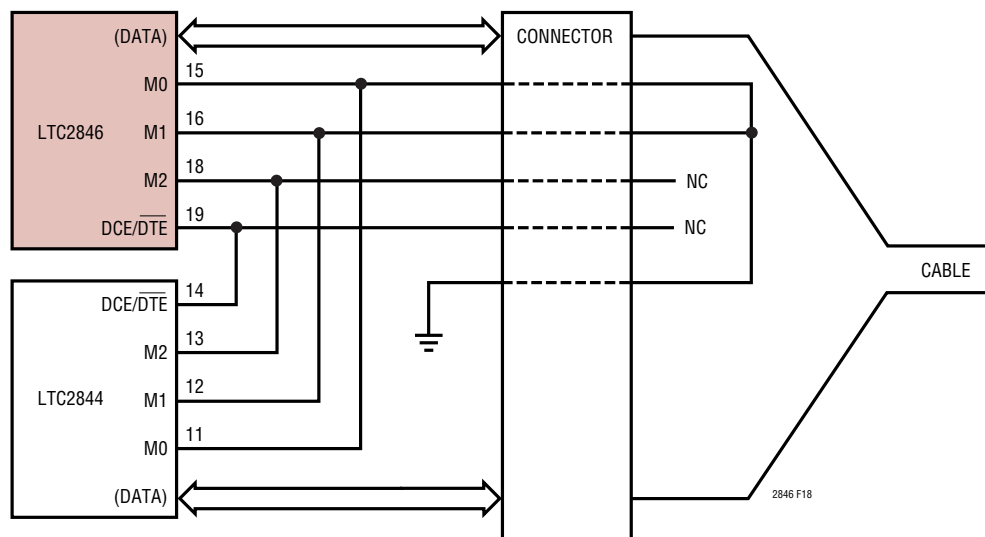


Figure 18. Single Port DCE V.35 Mode Selection in the Cable

selected. Switching the terminations with FETs is difficult because the FETs must remain off when the signal voltage is beyond the supply voltage. Alternatively, custom cables may contain termination in the cable head or route signals to various terminations on the board.

The LTC2846/LTC2844 chip set solves the cable termination switching problem by automatically providing the appropriate termination and switching on-chip for the V.10 (RS423), V.11 (RS422), V.28 (RS232) and V.35 electrical protocols.

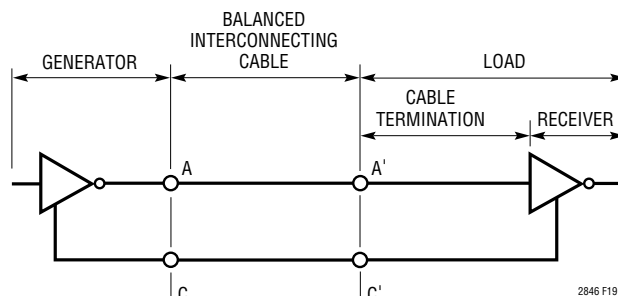


Figure 19. Typical V.10 Interface

V.10 (RS423) Interface

All V.10 drivers and receivers necessary for the RS449, EIA530, EIA530-A, V.36 and X.21 protocols are implemented on the LTC2844 or LTC2845.

A typical V.10 unbalanced interface is shown in Figure 19. A V.10 single-ended generator with output A and ground C is connected to a differential receiver with input A' connected to A, and ground C' connected via the signal return to ground C. Usually, no cable termination is required for V.10 interfaces, but the receiver inputs must be compliant with the impedance curve shown in Figure 20.

The V.10 receiver configuration in the LTC2844 and LTC2845 is shown in Figure 21. In V.10 mode, switch S3 inside the LTC2844 and LTC2845 is turned off. The noninverting input is disconnected inside the LTC2844

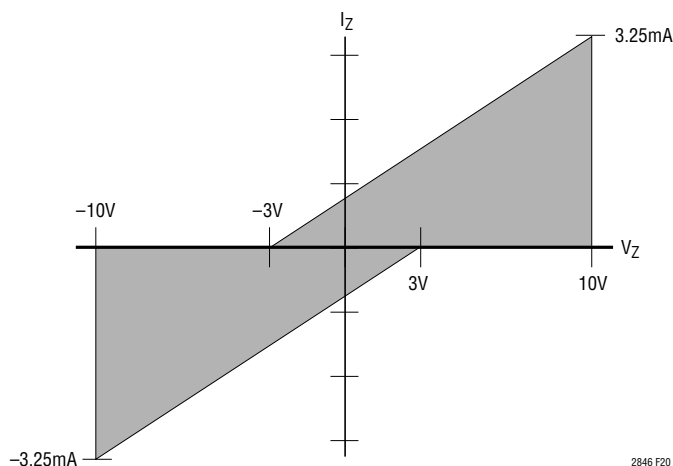


Figure 20. V.10 Receiver Input Impedance

APPLICATIONS INFORMATION

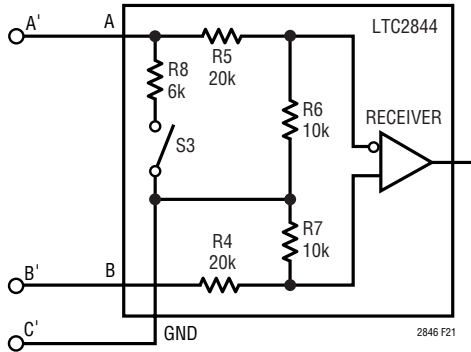


Figure 21. V.10 Receiver Configuration

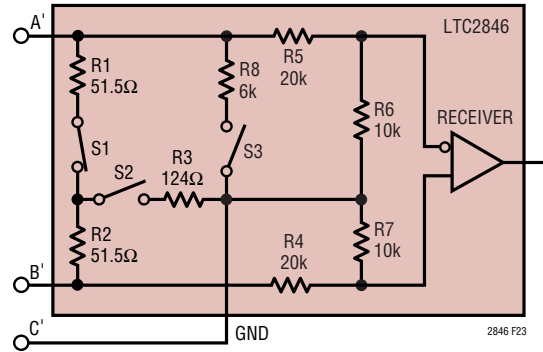


Figure 23. V.11 Receiver Configuration

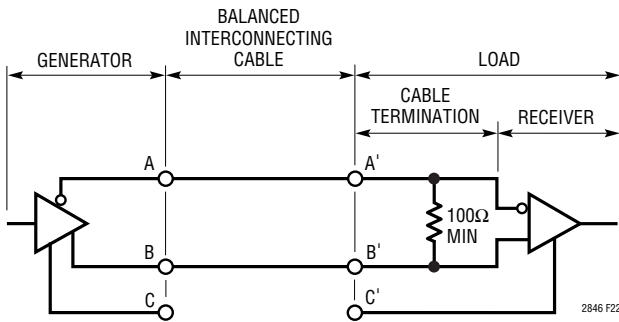


Figure 22. Typical V.11 Interface

and LTC2845 receivers and connected to ground. The cable termination is then the 30k input impedance to ground of the LTC2844 and LTC2845 V.10 receiver.

V.11 (RS422) Interface

A typical V.11 balanced interface is shown in Figure 22. A V.11 differential generator with outputs A and B and ground C is connected to a differential receiver with input A' connected to A, input B' connected to B, and ground C' connected via the signal return to ground C. The V.11 interface has a differential termination at the receiver end that has a minimum value of 100Ω. The termination resistor is optional in the V.11 specification, but for the high speed clock and data lines, the termination is essential to prevent reflections from corrupting the data. The receiver inputs must also be compliant with the impedance curve shown in Figure 20.

In V.11 mode, all switches are off except S1 of the LTC2846's receivers which connects a 103Ω differential

termination impedance to the cable as shown in Figure 23¹. The LTC2844 and LTC2845 only handle control signals, so no termination other than their V.11 receivers' 30k input impedance is necessary.

V.28 (RS232) Interface

A typical V.28 unbalanced interface is shown in Figure 24. A V.28 single-ended generator with output A and ground C is connected to a single-ended receiver with input A' connected to A and ground C' connected via the signal return to ground C.

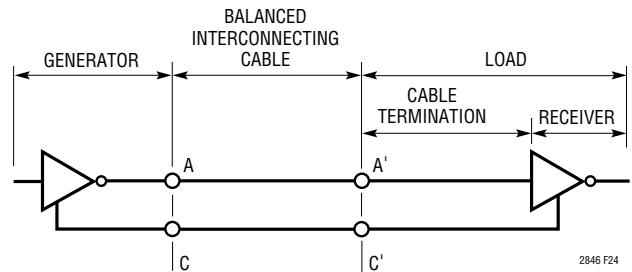


Figure 24. Typical V.28 Interface

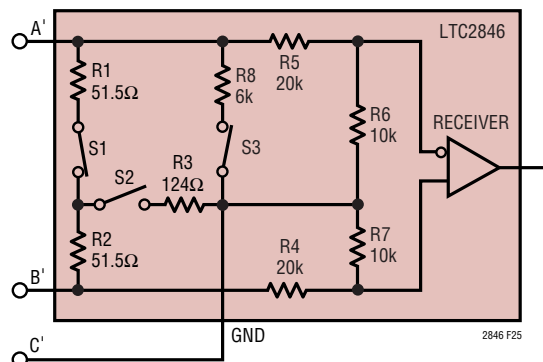


Figure 25. V.28 Receiver Configuration

¹Actually, there is no switch S1 in receivers R2 and R3. However, for simplicity, all termination networks on the LTC2846 can be treated identically if it is assumed that an S1 switch exists and is always closed on the R2 and R3 receivers.

APPLICATIONS INFORMATION

In V.28 mode, S3 is closed inside the LTC2846/LTC2844 which connects a 6k (R8) impedance to ground in parallel with 20k (R5) plus 10k (R6) for a combined impedance of 5k as shown in Figure 25. Proper termination is only provided when the B input of the receivers is floating, since S1 of the LTC2846's R2 and R3 receivers remains on in V.28 mode¹. The noninverting input is disconnected inside the LTC2846/LTC2844 receiver and connected to a TTL level reference voltage to give a 1.4V receiver trip point.

V.35 Interface

A typical V.35 balanced interface is shown in Figure 26. A V.35 differential generator with outputs A and B and ground C is connected to a differential receiver with input A' connected to A, input B' connected to B, and ground C' connected via the signal return to ground C. The V.35 interface requires a T or delta network termination at the receiver end and the generator end. The receiver differential impedance measured at the connector must be

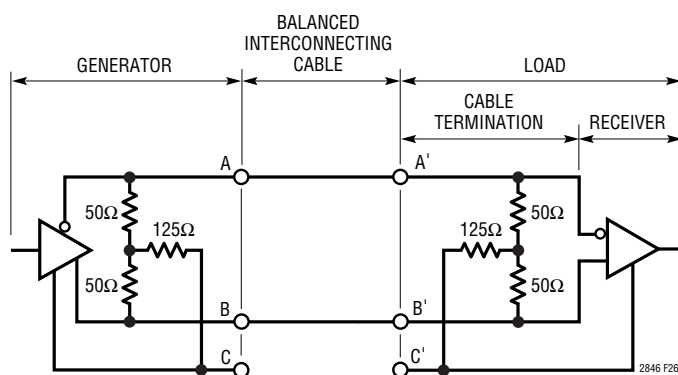


Figure 26. Typical V.35 Interface

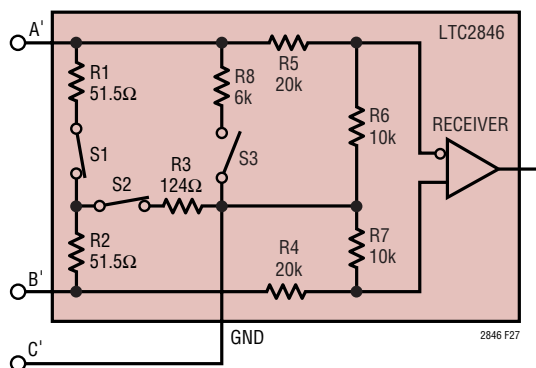


Figure 27. V.35 Receiver Configuration

$100\Omega \pm 10\Omega$, and the impedance between shorted terminals (A' and B') and ground (C') must be $150\Omega \pm 15\Omega$.

In V.35 mode, both switches S1 and S2 inside the LTC2846 are on, connecting a T network impedance as shown in Figure 27. The 30k input impedance of the receiver is placed in parallel with the T network termination, but does not affect the overall input impedance significantly.

The generator differential impedance must be 50Ω to 150Ω and the impedance between shorted terminals (A and B) and ground (C) must be $150\Omega \pm 15\Omega$.

No-Cable Mode

The no-cable mode ($M0 = M1 = M2 = 1$) is intended for the case when the cable is disconnected from the connector. The charge pump, bias circuitry, drivers and receivers are turned off, the driver outputs are forced into a high impedance state, and the V_{CC} supply current to the transceiver drops to less than $300\mu\text{A}$ while its V_{IN} supply current drops to less than $10\mu\text{A}$. Note that the LTC2846's R2 and R3 receivers continue to be terminated by a 103Ω differential impedance.

Charge Pump

The LTC2846 uses an internal capacitive charge pump to generate V_{DD} and V_{EE} as shown in Figure 28. A voltage doubler generates about 8V on V_{DD} and a voltage inverter generates about -7.5V on V_{EE} . Three $1\mu\text{F}$ surface mounted tantalum or ceramic capacitors are required for C1, C2 and C3. The V_{EE} capacitor C4 should be a minimum of $3.3\mu\text{F}$. All capacitors are 16V and should be placed as close as possible to the LTC2846 to reduce EMI.

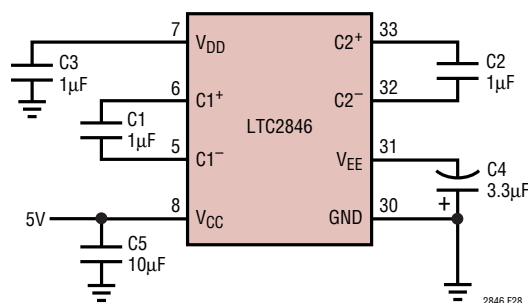


Figure 28. Charge Pump

APPLICATIONS INFORMATION

Switching Regulator

The circuit as shown in Figure 29 can provide up to 480mA at 5V to drive the LTC2846's transceiver as well as its companion chip in the DTE-DCE interface. In its shut down mode with the SHDN pin at 0V, the boost switching regulator draws less than 10 μ A.

Ferrite core inductors should be used to obtain the best efficiency, as core losses at 1.2MHz are much lower for ferrite cores than for cheaper powdered-iron types. Choose an inductor that can handle at least 1A without saturating, and ensure that the inductor has a low DCR (copper wire resistance) to minimize I^2R power losses.

Use low ESR capacitors for the output to minimize output ripple voltage. Multilayer ceramic capacitors are an excellent choice, as they have extremely low ESR and are available in very small packages. Ceramic capacitors also make a good choice for the input decoupling capacitor, and should be placed as close as possible to the switching regulator. Solid tantalum or OS-CON capacitors can be used but they will occupy more board area than a ceramic and will have a higher ESR.

A Schottky diode is recommended for use with the switching regulator. The ON Semiconductor MBR0520 is a very good choice.

To set the output voltage, select the values of R1 and R2 according to the following equation.

$$R1 = R2[(5V/1.255V) - 1]$$

A good value for R2 is 4.3k which sets the current in the resistor divider chain to $1.255V/4.3k = 292\mu A$.

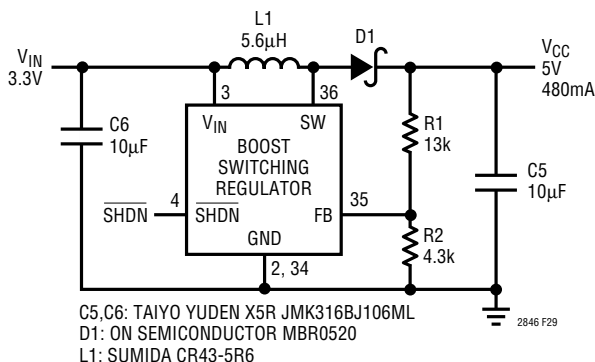


Figure 29. Boost Switching Regulator

The switching regulator has a switch current limit of 1A. This current limit protects the switch as well as the external components connected to the switching regulator.

The high speed operation of the boost switching regulator demands careful attention to board layout. Figure 30 shows the recommended component placement.

Receiver Fail-Safe

All LTC2846/LTC2844 receivers feature fail-safe operation in all modes. If the receiver inputs are left floating or are shorted together by a termination resistor, the receiver output will always be forced to a logic high.

DTE vs DCE Operation

The DCE/ \overline{DTE} pin acts as an enable for Driver 3/Receiver 1 in the LTC2846, and Driver 3/Receiver 1 and Receiver 4/Driver 4 in the LTC2844.

The LTC2846/LTC2844 can be configured for either DTE or DCE operation in one of two ways: a dedicated DTE or DCE port with a connector of appropriate gender or a port with one connector that can be configured for DTE or DCE operation by rerouting the signals to the LTC2846/LTC2844 using a dedicated DTE cable or dedicated DCE cable.

A dedicated DTE port using a DB-25 male connector is shown in Figure 31. The interface mode is selected by logic outputs from the controller or from jumpers to either V_{IN} or GND on the mode select pins. A dedicated DCE port using a DB-25 female connector is shown in Figure 32.

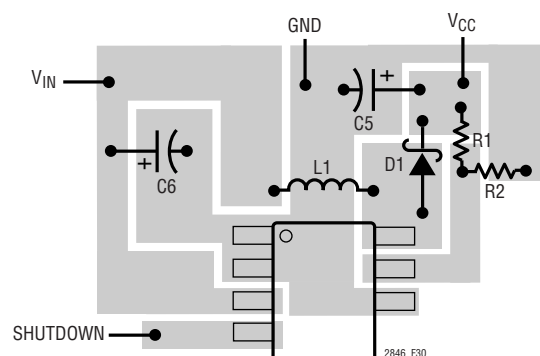


Figure 30. Suggested Layout

TYPICAL APPLICATIONS

A port with one DB-25 connector, that can be configured for either DTE or DCE operation is shown in Figure 33. The configuration requires separate cables for proper signal routing in DTE or DCE operation. For example, in DTE mode, the TXD signal is routed to Pins 2 and 14 via the LTC2846's Driver 1. In DCE mode, Driver 1 now routes the RXD signal to Pins 2 and 14.

Multiprotocol Interface with RL, LL, TM and a DB-25 Connector

If the RL, LL and TM signals are implemented, there are not enough drivers and receivers available in the LTC2846/LTC2844. In Figure 34, the required control signals are handled by the LTC2845. The LTC2845 has an additional single-ended driver/receiver pair that can handle two more optional control signals such as TM and RL.

Cable-Selectable Multiprotocol Interface

A cable-selectable multiprotocol DTE/DCE interface is shown in Figure 35. The select lines M0, M1 and DCE/DTE are brought out to the connector. The mode is selected by the cable by wiring M0 (connector Pin 18) and M1 (connector Pin 21) and DCE/DTE (connector Pin 25) to ground (connector Pin 7) or letting them float. If M0, M1 or DCE/DTE is floating, internal pull-up current sources will pull the signals to V_{IN} . The select bit M2 is floating, and therefore, internally pulled high. When the cable is pulled out, the interface will go into the no-cable mode.

Power Dissipation Calculations

The LTC2846 takes in a 3.3V supply and produces a 5V V_{CC} with an internal switcher at approximately 80% efficiency. V_{DD} and V_{EE} are in turn produced from V_{CC} with an internal charge pump at approximately 80% and 70% efficiency respectively. Current drawn internally from V_{DD} or V_{EE} translates directly into a higher I_{CC} . The LTC2846 dissipates power according to the equation:

$$P_{DISS(2846)} = 125\% \cdot (V_{CC} \cdot I_{CC}) - N_D \cdot P_{RT} + N_R \cdot P_{RT} \quad (1)$$

P_{RT} refers to the power dissipated by each driver in a receiver termination on the far end of the cable while N_D is the number of drivers. Conversely, current from the far end drivers dissipate power $N_R \cdot P_{RT}$ in the internal receiver termination where N_R is the number of receivers.

LTC2846 Power Dissipation

Consider an LTC2846 in X.21, DCE mode (three V.11 drivers and two V.11 receivers). From the Electrical Characteristics Table, I_{CC} at no load = 14mA, I_{CC} at full load = 100mA. Each receiver termination is 100Ω (R_{RT}) and current going into each receiver termination = $(100mA - 14mA)/3 = 28.7mA$ (I_{RT}).

$$P_{RT} = (I_{RT})^2 \cdot R_{RT} \quad (2)$$

From Equation (2), $P_{RT} = 82.4mW$ and from Equation (1), DC power dissipation $P_{DISS(2846)} = 125\% \cdot (5V \cdot 100mA) - 3 \cdot 82.4mW + 2 \cdot 82.4mW = 543mW$.

Consider the above example running at a baud rate of 10MBd. From the Typical Characteristic for "V.11 Mode I_{CC} vs Data Rate," the I_{CC} at 10MBd is 160mA. I_{CC} increases with baud rate due to driver transient dissipation. From Equation (1), AC power dissipation $P_{DISS(2846)} = 125\% \cdot (5V \cdot 160mA) - 3 \cdot 82.4mW + 2 \cdot 82.4mW = 918mW$.

LTC2845 Power Dissipation

If a LTC2845 is used to form a complete DCE port with the LTC2846, it will be running in the X.21 mode (three V.11 drivers and two V.10 drivers, two V.11 receivers and two V.10 receivers, all with internal 30k termination). In addition to V_{CC} , it uses the V_{DD} and V_{EE} outputs from the LTC2846. Negligible power is dissipated in the large internal receiver termination of the LTC2845 so the $N_R \cdot P_{RT}$ term of Equation (1) can be omitted. Thus Equation (1) is modified as follows:

$$P_{DISS(2845)} = (V_{CC} \cdot I_{CC}) + (V_{DD} \cdot I_{DD})$$

TYPICAL APPLICATIONS

$$+ (V_{EE} \cdot I_{EE}) - N_D \cdot P_{RT} \quad (3)$$

Since power is drawn from the supplies of the LTC2846 (V_{CC} , V_{DD} and V_{EE}) at less than 100% efficiency, the LTC2846 dissipates extra power to source $P_{DISS(2845)}$ and P_{RT} :

$$\begin{aligned} P_{DISS1(2846)} &= 125\% \cdot (V_{CC} \cdot I_{CC}) + 125\% \cdot 125\% \\ &\quad \cdot (V_{DD} \cdot I_{DD}) + 125\% \cdot 143\% \cdot (V_{EE} \cdot I_{EE}) \\ &\quad - P_{DISS(2845)} - N_D \cdot P_{RT} \\ &= 25\% \cdot (V_{CC} \cdot I_{CC}) + 56\% \cdot (V_{DD} \cdot I_{DD}) \\ &\quad + 79\% \cdot (V_{EE} \cdot I_{EE}) \end{aligned} \quad (4)$$

From the LTC2845 Electrical Characteristics Table, for $V_{CC} = 5V$, $V_{DD} = 8V$ and $V_{EE} = -5.5V$:

I_{CC} at no load	2.7mA
I_{CC} at full load with all drivers high	110mA
I_{EE} at no load	2mA
I_{EE} at full load with both V.10 drivers low	23mA
I_{DD} at no load	0.3mA
I_{DD} at full load	0.3mA

The V.11 drivers are driven between V_{CC} and GND while the V.10 drivers are driven between V_{CC} and V_{EE} . Assume that the V.11 driver outputs are high and V.10 driver outputs low. Current going into each 100Ω V.11 receiver termination = $(110mA - 2.7mA) - 23mA/3 = 28.1mA$. Current going into each 450Ω V.10 receiver termination = $23mA - 2mA/2 = 10.5mA$. From Equation (2), V.11 $P_{RT} =$

79mW and V.10 $P_{RT} = 49.6mW$.

From Equation (3), $P_{DISS(2845)} = 5V \cdot (110mA - 23mA) + (8V \cdot 0.3mA) + 5.5V \cdot 23mA - 3 \cdot 79mW - 2 \cdot 49.6mW = 228mW$. Since the LTC2845 runs slow control signals, the AC power dissipation can be assumed to be equal to the DC power dissipation.

The extra power dissipated in the LTC2846 due to LTC2845 is given by Equation(4), $P_{DISS1(2846)} = 25\% \cdot (5V \cdot 87mA) + 56\% \cdot (8V \cdot 0.3mA) + 79\% \cdot (5.5V \cdot 23mA) = 210mW$. So for an X.21 DCE port running at 10MBd, the LTC2846 dissipates approximately $918mW + 210mW = 1128mW$ while the LTC2845 dissipates 228mW.

Compliance Testing

The LTC2846/LTC2844 and LTC2846/LTC2845 chipsets have been tested by TUV Rheinland of North America Inc. and passed the NET1, NET2 and TBR2 requirements. Copies of the test reports are available from LTC or TUV Rheinland of North America Inc.

The title of the reports are Test Report No.: TBR2/051501/02 and TBR2/050101/02

The address of TUV Rheinland of North America Inc. is:

TUV Rheinland of North America Inc.
1775, Old Highway 8 NW, Suite 107
St. Paul, MN 55112
Tel. (651) 639-0775
Fax (651) 639-0873

TYPICAL APPLICATIONS

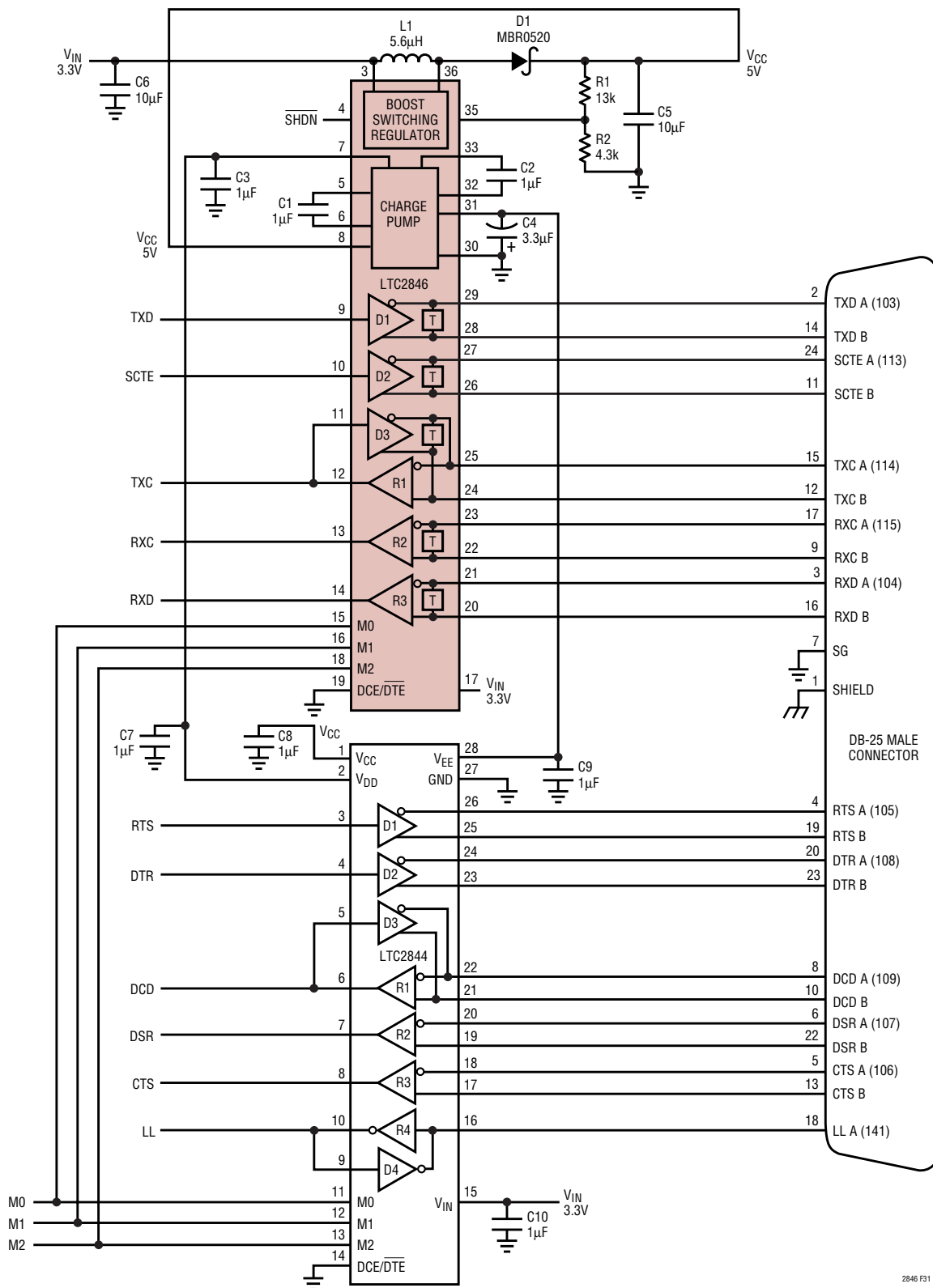


Figure 31. Controller-Selectable Multiprotocol DTE Port with DB-25 Connector

sn2846 2846fs

TYPICAL APPLICATIONS

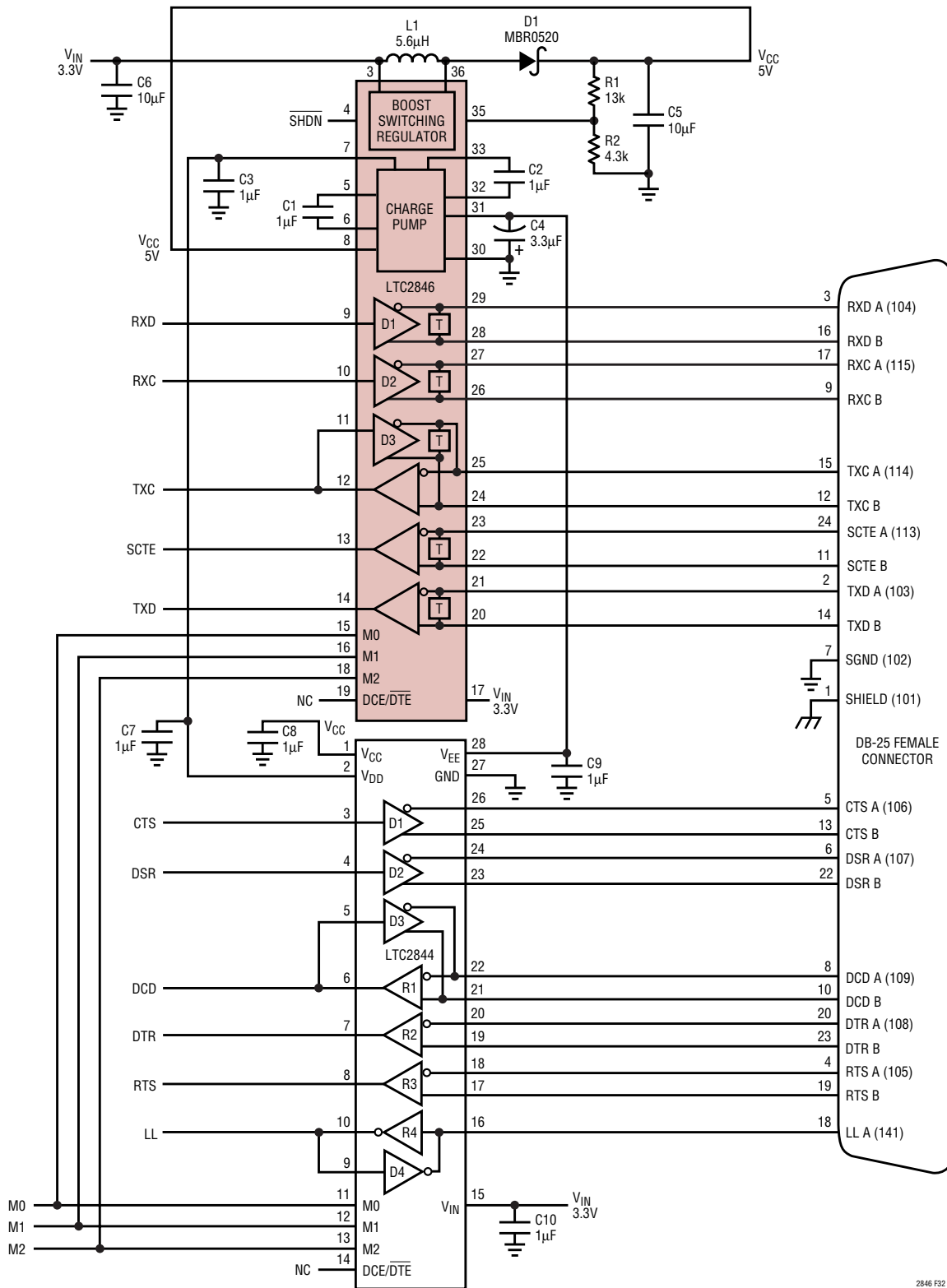


Figure 32. Controller-Selectable DCE Port with DB-25 Connector

sn2846 2846fs

TYPICAL APPLICATIONS

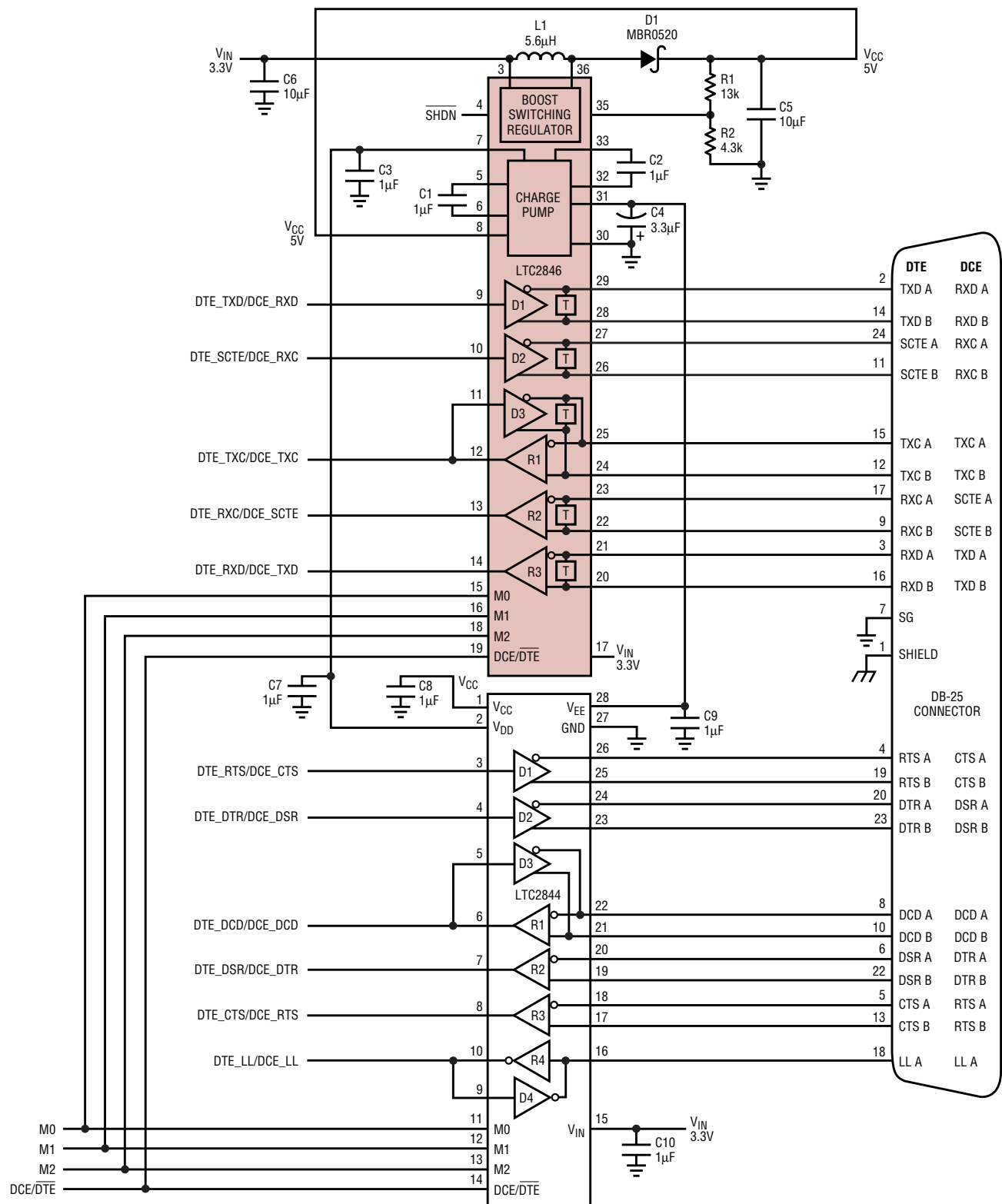


Figure 33. Controller-Selectable Multiprotocol DTE/DCE Port with DB-25 Connector

sn2846 2846fs

TYPICAL APPLICATIONS

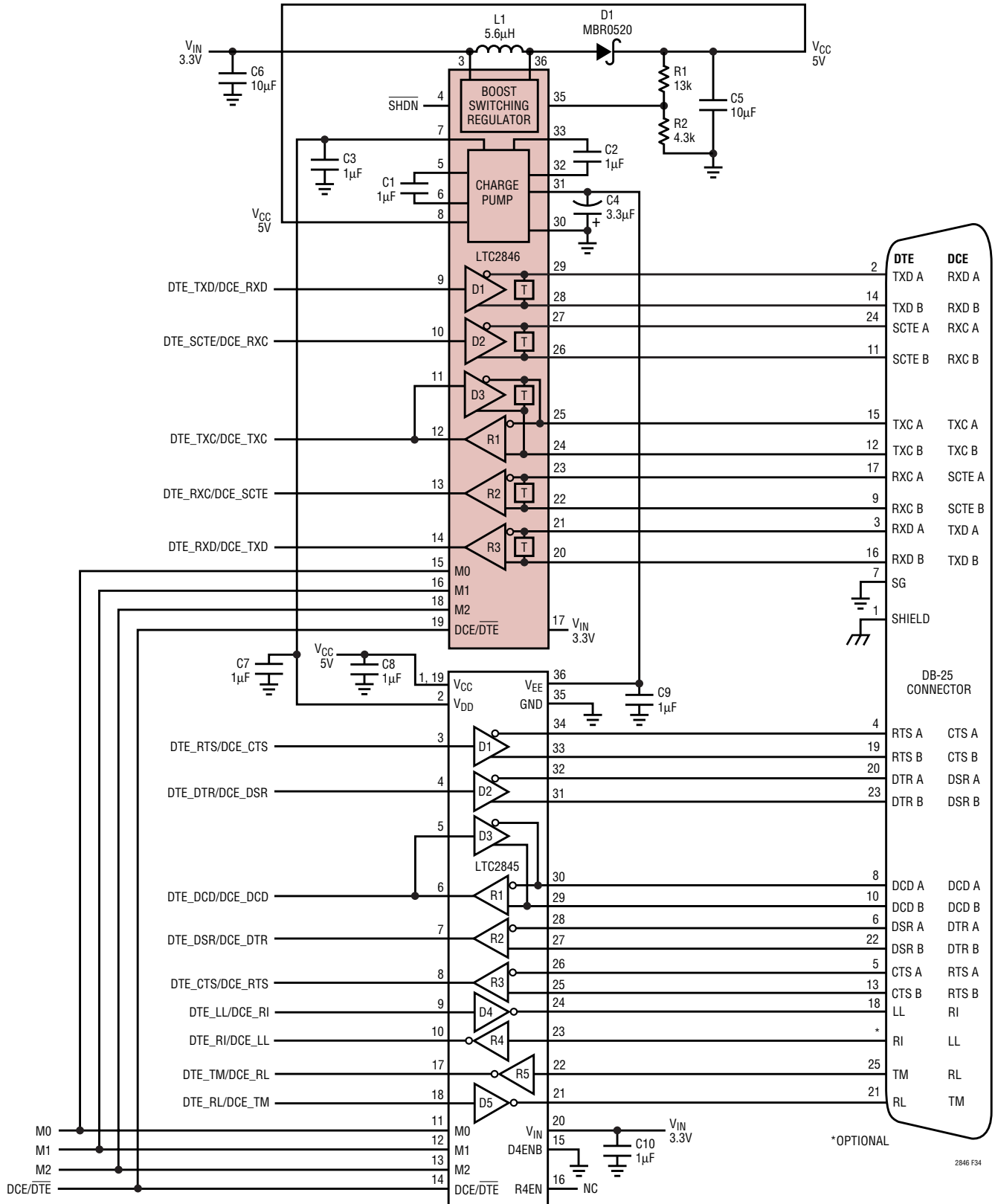


Figure 34. Controller-Selectable Multiprotocol DTE/DCE Port with RL, LL, TM and DB-25 Connector

sn2846 2846fs

TYPICAL APPLICATIONS

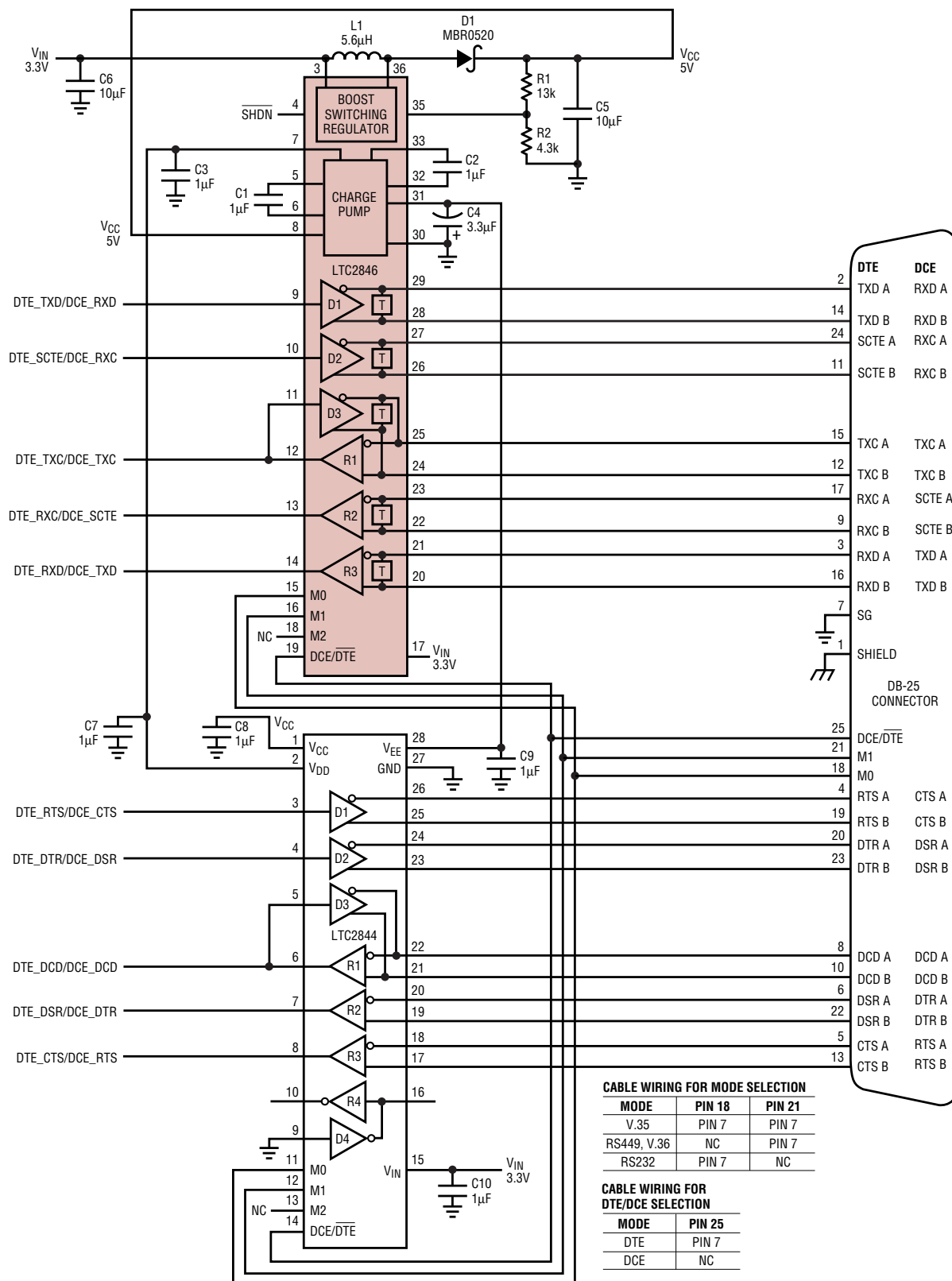
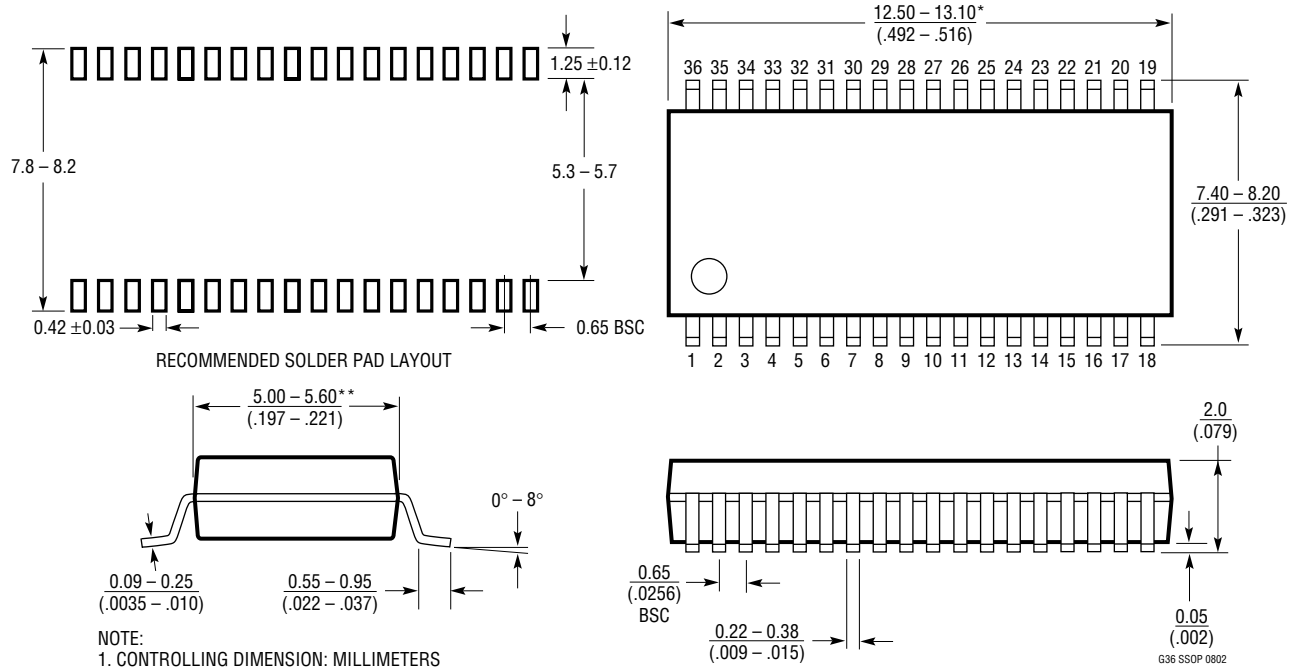


Figure 35. Cable-Selectable Multiprotocol DTE/DCE Port with DB-25 Connector

2846 F35

PACKAGE DESCRIPTION

G Package 36-Lead Plastic SSOP (5.3mm) (Reference LTC DWG # 05-08-1640)



RELATED PARTS

PART NUMBER	DESCRIPTION	COMMENTS
LTC1321	Dual RS232/RS485 Transceiver	Two RS232 Driver/Receiver Pairs or Two RS485 Driver/Receiver Pairs
LTC1334	Single 5V RS232/RS485 Multiprotocol Transceiver	Two RS232 Driver/Receiver or Four RS232 Driver/Receiver Pairs
LTC1343	Software-Selectable Multiprotocol Transceiver	4-Driver/4-Receiver for Data and Clock Signals
LTC1344A	Software-Selectable Cable Terminator	Perfect for Terminating the LTC1543 (Not Needed with LTC1546)
LTC1345	Single Supply V.35 Transceiver	3-Driver/3-Receiver for Data and Clock Signals
LTC1346A	Dual Supply V.35 Transceiver	3-Driver/3-Receiver for Data and Clock Signals
LTC1543	Software-Selectable Multiprotocol Transceiver	Terminated with LTC1344A for Data and Clock Signals, Companion to LTC1544 or LTC1545 for Control Signals
LTC1544	Software-Selectable Multiprotocol Transceiver	Companion to LTC1546 or LTC1543 for Control Signals Including LL
LTC1545	Software-Selectable Multiprotocol Transceiver	5-Driver/5-Receiver Companion to LTC1546 or LTC1543 for Control Signals Including LL, TM and RL
LTC1546	Software-Selectable Multiprotocol Transceiver	3-Driver/3-Receiver with Termination for Data and Clock Signals
LTC2844	3.3V Software-Selectable Multiprotocol Transceiver	Companion to LTC2846 for Control Signals Including LL
LTC2845	3.3V Software-Selectable Multiprotocol Transceiver	5-Driver/5-Receiver Companion to LTC2846 for Control Signals Including LL, TM and RL

sn2846 2846fs

Компания «Life Electronics» занимается поставками электронных компонентов импортного и отечественного производства от производителей и со складов крупных дистрибьюторов Европы, Америки и Азии.

С конца 2013 года компания активно расширяет линейку поставок компонентов по направлению коаксиальный кабель, кварцевые генераторы и конденсаторы (керамические, пленочные, электролитические), за счёт заключения дистрибьюторских договоров

Мы предлагаем:

- Конкурентоспособные цены и скидки постоянным клиентам.
- Специальные условия для постоянных клиентов.
- Подбор аналогов.
- Поставку компонентов в любых объемах, удовлетворяющих вашим потребностям.
- Приемлемые сроки поставки, возможна ускоренная поставка.
- Доставку товара в любую точку России и стран СНГ.
- Комплексную поставку.
- Работу по проектам и поставку образцов.
- Формирование склада под заказчика.
- Сертификаты соответствия на поставляемую продукцию (по желанию клиента).
- Тестирование поставляемой продукции.
- Поставку компонентов, требующих военную и космическую приемку.
- Входной контроль качества.
- Наличие сертификата ISO.

В составе нашей компании организован Конструкторский отдел, призванный помогать разработчикам, и инженерам.

Конструкторский отдел помогает осуществить:

- Регистрацию проекта у производителя компонентов.
- Техническую поддержку проекта.
- Защиту от снятия компонента с производства.
- Оценку стоимости проекта по компонентам.
- Изготовление тестовой платы монтаж и пусконаладочные работы.



Тел: +7 (812) 336 43 04 (многоканальный)

Email: org@lifeelectronics.ru