

Description

The IMX7/IMS7 Series of board-mountable 7 Watt DC-DC converters have been designed according to the latest industry requirements and standards. The converters are particularly suitable for use in mobile or stationary applications in transport, railways, industry, or telecom, where variable input voltages or high transient voltages are prevalent.

Covering a total input voltage range from 8.4 V to 150 V with six different models, the converters are available with single and electrically-isolated double outputs from 3.3 up to 48 V with flexible load distribution on double outputs. A shutdown input allows remote on/off.

Features include efficient input and output filtering with good transient and surge protection, low output ripple and noise, consistently high efficiency over the entire input voltage range, and high reliability as well as excellent dynamic response to load and line changes.

The converters provide supplementary insulation with SELV outputs as for instances required in battery-supported systems, where the bus voltage may exceed the SELV limit of 60 V. The models 70IMX7 and 110IMX7 are CE-marked.

Features

- RoHS lead-free-solder and lead-solder-exempted products are available.
- Input voltage ranges up to 150 VDC
- 1 or 2 isolated outputs up to 48 V
- 1500 to 2000 VAC voltage withstand test
- Extremely wide input voltage ranges
- Immunity according to IEC/EN 61000-4-2, -3, -4, -5, -6
- High efficiency (typ. 84%)
- Input undervoltage lockout
- Inhibit input, adjustable output voltages
- Flex power: flexible load distribution on outputs
- Outputs no-load, overload, and short-circuit proof
- High reliability and no derating
- Operating ambient temperature –40 to +85 °C
- Thermal protection
- Supplementary insulation
- Planar technology for best mechanical stability
- 2" x 1" case with 10.5 mm profile

Safety-approved to IEC 60950-1 and UL/CSA 60950-1 2nd Ed.



1 70/110IMX7 models

The circuitry is comprised of integral planar magnetics. All components are automatically assembled and securely soldered onto a single PCB without any wire connections. Magnetic feedback ensures maximum reliability and repeatability in the control loop over all operating conditions. Careful considerations of possible thermal stresses ensure the absence of hot spots, providing long life in environments, where temperature cycles are a reality. The thermal design allows operation at full load up to an ambient temperature of 85 °C in free air without using any potting material. For extremely high vibration environments the case has holes for screw mounting.

Several options, such as open-frame, provide a high level of application-specific engineering and design-in flexibility.

Table of Contents

| | Page | | Page |
|------------------------------|------|--|------|
| Description | 1 | Electromagnetic Compatibility (EMC) | 11 |
| Model Selection | 2 | Immunity to Environmental Conditions | 12 |
| Functional Description | 3 | Mechanical Data | 13 |
| Electrical Input Data | 4 | Safety and Installation Instructions | 13 |
| Electrical Output Data | 7 | Description of Options | 14 |
| Auxiliary Functions | 9 | | |

Copyright © 2015, Bel Power Solutions Inc. All rights reserved.

Model Selection

Table 1: Model Selection

| Output 1 | | Output 2 ¹ | | Output power $P_{o\ nom}$ [W] | Input voltage range [V] | Efficiency | | Model | Options |
|----------------------|----------------------|-----------------------|-----------------------------------|-------------------------------------|-------------------------------|---------------------|---------------------|-----------------|---------|
| $V_{o1\ nom}$ [V] | $I_{o1\ nom}$ [A] | $V_{o2\ nom}$ [V] | $I_{o2\ nom}$ [A] ¹ | | | η_{min} [%] | η_{typ} [%] | | |
| 3.3 | 1.5 | - | - | 5 | 8.4 – 36 | 74 | 78 | 20IMX7-03-8 | Z, G |
| 3.3 | 1.5 | - | - | 5 | 14 – 36 | 75.5 | 79 | 24IMS7-03-9 | Z, G |
| 3.3 | 1.5 | - | - | 5 | 16.8 ² – 75 | 74.7 | 79 | 40IMX7-03-8 | Z, G |
| 3.3 | 1.5 | - | - | 5 | 36 – 75 | 77 | 79 | 48IMS7-03-9 | Z, G |
| 3.3 | 1.5 | - | - | 5 | 40 – 121 | 76 | 78 | 70IMX7-03-8 | Z, G |
| 3.3 | 1.5 | - | - | 5 | 60 – 150 ² | 74.5 | 78 | 110IMX7-03-8 | Z, G |
| 5.1 | 1.2 | - | - | 6.1 | 8.4 – 36 | 75.5 | 78 | 20IMX7-05-8 | M, Z, G |
| 5.1 | 1.2 | - | - | 6.1 | 14 – 36 | 77 | 80 | 24IMS7-05-9 | Z, G |
| 5.1 | 1.2 | - | - | 6.1 | 16.8 ² – 75 | 79 | 81 | 40IMX7-05-8 | M, Z, G |
| 5.1 | 1.2 | - | - | 6.1 | 36 – 75 | 78 | 81 | 48IMS7-05-9 | Z, G |
| 5.1 | 1.2 | - | - | 6.1 | 40 – 121 | 75.5 | 78 | 70IMX7-05-8 | M, Z, G |
| 5.1 | 1.2 | - | - | 6.1 | 60 – 150 ³ | 76 | 79 | 110IMX7-05-8 | M, Z, G |
| 5 | 0.6 | 5 | 0.6 | 6 | 8.4 – 36 | 77 | 81 | 20IMX7-05-05-8 | M, Z, G |
| 5 | 0.7 | 5 | 0.7 | 7 | 14 – 36 | 79 | 82 | 24IMS7-05-05-9 | Z, G |
| 5 | 0.7 | 5 | 0.7 | 7 | 16.8 ² – 75 | 79.5 | 82 | 40IMX7-05-05-8 | M, Z, G |
| 5 | 0.7 | 5 | 0.7 | 7 | 36 – 75 | 81.5 | 83 | 48IMS7-05-05-9 | Z, G |
| 5 | 0.7 | 5 | 0.7 | 7 | 40 – 121 | 81 | 82 | 70IMX7-05-05-8 | M, Z, G |
| 5 | 0.7 | 5 | 0.7 | 7 | 60 – 150 ³ | 78 | 80 | 110IMX7-05-05-8 | M, Z, G |
| 12 | 0.25 | 12 | 0.25 | 6 | 8.4 – 36 | 80.5 | 83 | 20IMX7-12-12-8 | M, Z, G |
| 12 | 0.3 | 12 | 0.3 | 7.2 | 14 – 36 | 81.5 | 85 | 24IMS7-12-12-9 | Z, G |
| 12 | 0.3 | 12 | 0.3 | 7.2 | 16.8 ² – 75 | 82.5 | 84 | 40IMX7-12-12-8 | M, Z, G |
| 12 | 0.3 | 12 | 0.3 | 7.2 | 36 – 75 | 82 | 84 | 48IMS7-12-12-9 | Z, G |
| 12 | 0.3 | 12 | 0.3 | 7.2 | 40 – 121 | 83 | 85 | 70IMX7-12-12-8 | M, Z, G |
| 12 | 0.3 | 12 | 0.3 | 7.2 | 60 – 150 ³ | 80 | 83 | 110IMX7-12-12-8 | M, Z, G |
| 15 | 0.2 | 15 | 0.2 | 6 | 8.4 – 36 | 81 | 83 | 20IMX7-15-15-8 | M, Z, G |
| 15 | 0.24 | 15 | 0.24 | 7.2 | 14 – 36 | 81.5 | 84 | 24IMS7-15-15-9 | Z, G |
| 15 | 0.24 | 15 | 0.24 | 7.2 | 16.8 ² – 75 | 81 | 84 | 40IMX7-15-15-8 | M, Z, G |
| 15 | 0.24 | 15 | 0.24 | 7.2 | 36 – 75 | 82 | 84 | 48IMS7-15-15-9 | Z, G |
| 15 | 0.24 | 15 | 0.24 | 7.2 | 40 – 121 | 81.5 | 83 | 70IMX7-15-15-8 | M, Z, G |
| 15 | 0.24 | 15 | 0.24 | 7.2 | 60 – 150 ³ | 79 | 82 | 110IMX7-15-15-8 | M, Z, G |
| 24 | 0.13 | 24 | 0.13 | 6.2 | 8.4 – 36 | 79 | 83 | 20IMX7-24-24-8 | M, Z, G |
| 24 | 0.15 | 24 | 0.15 | 7.2 | 14 – 36 | 82 | 84 | 24IMS7-24-24-9 | Z, G |
| 24 | 0.15 | 24 | 0.15 | 7.2 | 16.8 ² – 75 | 82 | 84 | 40IMX7-24-24-8 | M, Z, G |
| 24 | 0.15 | 24 | 0.15 | 7.2 | 36 – 75 | 82 | 84 | 48IMS7-24-24-9 | Z, G |
| 24 | 0.15 | 24 | 0.15 | 7.2 | 40 – 121 | 80 | 83 | 70IMX7-24-24-8 | M, Z, G |
| 24 | 0.15 | 24 | 0.15 | 7.2 | 60 – 150 ³ | 81 | 84 | 110IMX7-24-24-8 | M, Z, G |

¹ Flexible load distribution on double-outputs possible. If only one output is used, connect both outputs of double-output models in parallel.

² Operation at low input voltage possible, if P_o is reduced to approx. 80% of $P_o\ nom$ at $V_{i\ min} = 14.1\ V$.

³ Up to 154 V for 2 s

NFND: Not for new designs. Preferred for new designs

Note: Use 20IMX7 to replace 24IMS7 and 40IMX7 to replace 48IMS7.

Part Number Description

Input voltage range V_i

| | |
|-------------------|-----|
| 8.4 – 36 V | 20 |
| 14 – 36 V | 24 |
| 16.8 – 75 V | 40 |
| 36 – 75 V | 48 |
| 40 – 121 V | 70 |
| 60 – 150 V | 110 |

Series IMX7, IMS7

Output voltage of output 1 03, 05, 12, 15, 24

Output voltage of output 2 05, 12, 15, 24

Operating ambient temperature T_A

| | |
|--------------------|----|
| –40 to 85 °C | -8 |
| –40 to 71 °C | -9 |

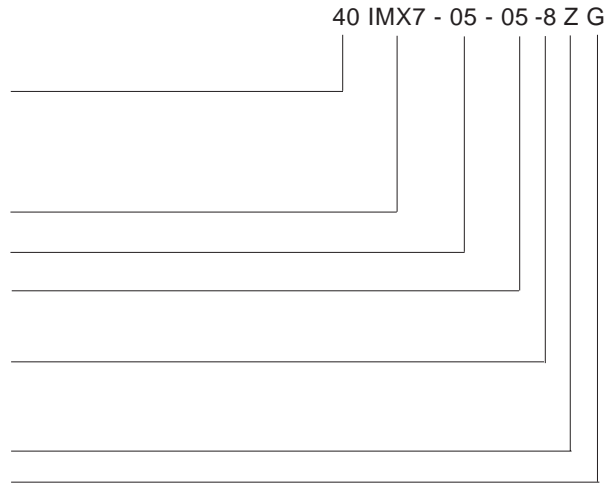
Options: Surface mount version¹ **M**
 Open frame¹ **Z**
 RoHS-compliant for all six substances **G**

Obsolete option: C-pinout **C**

¹ Option M and Z exclude each other.

Note: The sequence of options must follow the order above.

Example: 40IMX7-05-05-8ZG: DC-DC converter, input voltage range 16.8 – 75 V, 2 outputs providing each 5 V, 700 mA, temperature range –40 to 85 °C, open frame, RoHS compliant for all six substances.



Functional Description

The IMX7/IMS7 Series DC-DC converters are feedback-controlled flyback converters using current mode PWM (Pulse Width Modulation).

In the case of single-output models, the output is directly sensed and fed back to the primary control circuit via a pulse transformer, resulting in tight regulation of the output voltage. The R input is referenced to the secondary side and allows for programming the output voltages in the range 75 to 105% of $V_{o\ nom}$, using either an external resistor or an external voltage source.

For double-output models, the output voltage is sensed by a separate transformer winding close to the secondary and fed

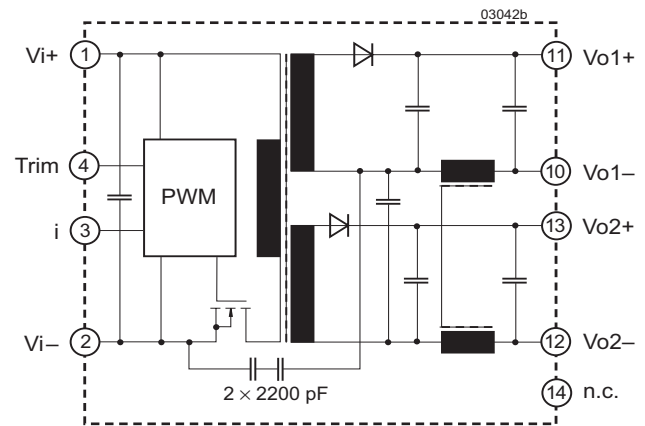


Fig. 2
 Block diagram of double-output models

back to the primary control circuit. Close magnetic coupling is provided by the planar construction, ensuring very good regulation, and allowing for flexible load distribution. The Trim input of double-output models is referenced to the primary side, and allows for programming the output voltages in the range of 100 to 105% of $V_{o\ nom}$ by means of an external resistor, or within 75 to 100% of $V_{o\ nom}$, using an external voltage source.

Current limitation is provided by the primary circuit, thus limiting the total output current ($I_{o\ nom}$ for the single- and the sum $I_{o1\ nom} + I_{o2\ nom}$ for double-output models).

The inhibit input i allows remote control of the outputs; pin i must be connected to V_{i-} to activate the converter.

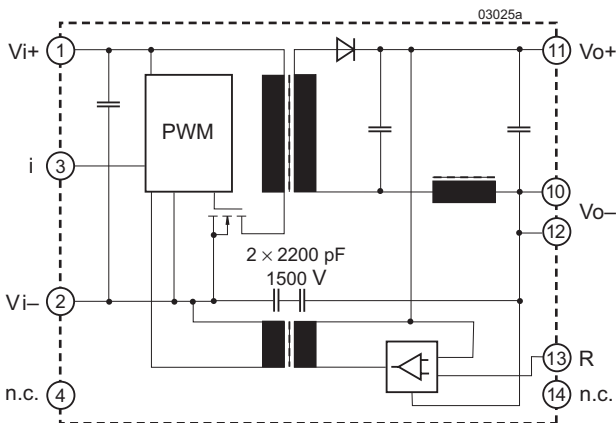


Fig. 1
 Block diagram of single-output models

Electrical Input Data

General conditions:

- $T_A = 25\text{ °C}$, unless T_C is specified.
- Connector pin i connected with V_{i-} .
- Trim or R input not connected.

Table 2a: Input data of IMX7

| Input | | | 20IMX7 | | | 40IMX7 | | | 70IMX7 | | | 110IMX7 | | | Unit |
|-----------------------|---|--|-------------|---------------------|-------------|-------------------|---------------------|-----|-------------|---------------------|-------------|---------|---------------------|-----|-------------------------|
| Characteristics | | Conditions | min | typ | max | min | typ | max | min | typ | max | min | typ | max | |
| V_i | Input voltage range ¹ | $T_C \text{ min} - T_C \text{ max}$ $I_o = 0 - I_o \text{ nom}$ | 8.4 | 36 | | 16.8 ⁶ | 75 | | 40 | 121 | | 60 | 150 ⁷ | | V |
| $V_{i \text{ nom}}$ | Nominal input voltage | | 20 | | | 40 | | | 70 | | | 110 | | | |
| $V_{i \text{ sur}}$ | Repetitive surge voltage | abs. max input (3 s) | | 50 ⁵ | | | 100 | | 150 | | | | | | |
| $t_{\text{start up}}$ | Converter ² start-up time | switch on | 0.25 | | 0.5 | | 0.25 | | 0.5 | | 0.25 | | 0.5 | | s |
| | | inh. release | | | 0.1 | | | | 0.1 | | | | 0.1 | | |
| t_{rise} | Rise time ² | $V_{i \text{ nom}}$ resistive load | 5 | | 5 | | 5 | | 5 | | 5 | | 5 | | ms |
| | | $I_o \text{ nom}$ capacitive load | 12 | | 12 | | 12 | | 12 | | 12 | | 12 | | |
| $I_{i \text{ o}}$ | No load input current | $I_o = 0, V_{i \text{ min}} - V_{i \text{ max}}$ | 15 | 30 | | 8 | 15 | | 8 | 15 | | 8 | 15 | | mA |
| C_i | Input capacitance | (for surge calculation) | 4.7 | | 0.5 | | 0.2 | | 0.2 | | 0.2 | | 0.2 | | μF |
| $V_{i \text{ inh}}$ | Inhibit voltage | converter operating | -10 | +0.8 | | -10 | +0.8 | | -10 | +0.8 | | -10 | +0.8 | | V |
| | | converter inhibited | 2.4 | $V_{i \text{ max}}$ | | 2.4 | $V_{i \text{ max}}$ | | 2.4 | $V_{i \text{ max}}$ | | 2.4 | $V_{i \text{ max}}$ | | |
| $I_{i \text{ inh}}$ | Inhibit current | converter operating | -0.5 | | -0.5 | | -0.5 | | -0.5 | | -0.5 | | -0.5 | | mA |
| | | converter inhibited | 1 | | 1 | | 1 | | 1 | | 1 | | 1 | | |
| $I_{i \text{ inh}}$ | Input current when the converter is inhibited | $V_{i \text{ min}} - V_{i \text{ max}}$ | 3 | | 3 | | 3 | | 3 | | 3 | | 3 | | |
| $I_{i \text{ nr p}}$ | Inrush peak current | $V_i = V_{i \text{ nom}}$ ⁴ | 3.8 | | 3.7 | | 4.2 | | 5.6 | | 5.6 | | 5.6 | | A |
| f_s | Switching frequency | $V_{i \text{ min}} - V_{i \text{ max}}, I_o = 0 - I_o \text{ nom}$ | approx. 400 | | approx. 400 | | approx. 400 | | approx. 300 | | approx. 300 | | approx. 300 | | kHz |
| $I_{i \text{ rr}}$ | Reflected ripple current | $I_o = 0 - I_o \text{ nom}$ | 50 | | 30 | | 20 | | 10 | | 10 | | 10 | | mA_{pp} |
| $V_{i \text{ RFI}}$ | Input RFI level conducted | EN 55022 ³ | A | | A | | A | | A | | A | | A | | |

¹ $V_{i \text{ min}}$ will not be as stated, if V_o is increased above $V_o \text{ nom}$ by use of the R or Trim input. If the output voltage is set to a higher value, $V_{i \text{ min}}$ will be proportionally increased.

² Measured with a resistive and the max. admissible capacitive load.

³ Measured with a lead length of 0.1 m, leads twisted. Double-output models with both outputs in parallel. 70/110 IMX7 models need an external capacitor at the input, e.g., 1 μF film or ceramic.

⁴ Source impedance according to ETS 300132-2, version 4.3, at $V_{i \text{ nom}}$.

⁵ The DC-DC converter shuts down automatically at approx. 38 V.

⁶ Operation at lower input voltage possible: P_o approx. 80% of $P_o \text{ nom}$ at $V_{i \text{ min}} = 14.4\text{ V}$.

⁷ Up to 154 V for 2 s

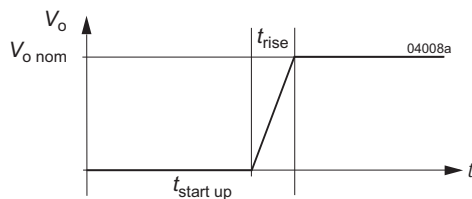


Fig. 3

Converter start-up and rise time

Table 2b: Input data of IMS7; general conditions as in table 2a

| Input | | | 24IMS7 | | | 48IMS7 | | | Unit |
|-----------------|---|---|--|---------|--------------|-------------|---------|--------------|------------------|
| Characteristics | | Conditions | min | typ | max | min | typ | max | |
| V_i | Input voltage range ¹ | $T_{C\ min} - T_{C\ max}$ | 14 | | 36 | 36 | | 75 | V |
| $V_{i\ nom}$ | Nominal input voltage | $I_o = 0 - I_{o\ nom}$ | | 24 | | | 48 | | |
| $V_{i\ sur}$ | Repetitive surge voltage | abs. max input (3 s) | | | 50 | | | 100 | |
| $t_{start\ up}$ | Converter ² start-up time | switch on | Worst case condition at $V_{i\ min}$ and full load | | 0.4 | 0.6 | 0.3 | 0.6 | s |
| | | inh. release | | | | 0.1 | | 0.1 | |
| t_{rise} | Rise time ² | $V_{i\ nom}$ | resistive load | | 5 | | 5 | | ms |
| | | $I_{o\ nom}$ | capacitive load | | 12 | | 12 | | |
| $I_{i\ o}$ | No load input current | $I_o = 0, V_{i\ min} - V_{i\ max}$ | 12 | 24 | | 6 | 12 | | mA |
| C_i | Input capacitance | (for surge calculation) | 0.8 | | | 0.5 | | | μ F |
| V_{inh} | Inhibit voltage | converter operating | -10 | | +0.8 | -10 | | +0.8 | V |
| | | converter inhibited | 2.4 | or open | $V_{i\ max}$ | 2.4 | or open | $V_{i\ max}$ | |
| I_{inh} | Inhibit current | converter operating | -0.5 | | | -0.5 | | | mA |
| | | converter inhibited | 1 | | | 1 | | | |
| $I_{i\ inh}$ | Input current when the converter is inhibited | $V_{i\ min} - V_{i\ max}$ | | | 3 | | | 3 | |
| $I_{inr\ p}$ | Inrush peak current | $V_i = V_{i\ nom}$ ⁴ | 4.0 | | | 3.9 | | | A |
| f_s | Switching frequency | $V_{i\ min} - V_{i\ max}, I_o = 0 - I_{o\ nom}$ | approx. 330 | | | approx. 330 | | | kHz |
| $I_{i\ rr}$ | Reflected ripple current | $I_o = 0 - I_{o\ nom}$ | | | 40 | | | 30 | mA _{pp} |
| $V_{i\ RFI}$ | Input RFI level conducted | EN 55022 ³ | A | | | A | | | |

¹ $V_{i\ min}$ will not be as stated, if V_o is increased above $V_{o\ nom}$ by use of the R or Trim input. If the output voltage is set to a higher value, $V_{i\ min}$ will be proportionally increased.

² Measured with a resistive and the max. admissible capacitive load.

³ Measured with a lead length of 0.1 m, leads twisted. Double-output models with both outputs in parallel. 70/110 IMX7 models need an external capacitor at the input, e.g. 1 μ F film or ceramic.

⁴ Source impedance according to ETS 300132-2, version 4.3, at $V_{i\ nom}$

Input Transient Voltage Protection

In many applications transient voltages on the input of the converter may occur and are possibly caused by short circuits between V_{i+} and V_{i-} , where the network inductance may cause high energy pulses.

In order to protect the converters, transient suppressors are fitted to the input; see table below:

Table 3: Built-in transient voltage suppressor

| Model | Breakdown Voltage $V_{BR\ nom}$ | Peak Power at 1 ms P_P | Peak Pulse Current I_{PP} |
|----------------------|-------------------------------------|-----------------------------|--------------------------------|
| 20IMX7 ¹ | overvoltage lockout at approx. 38 V | | |
| 24IMS7 ² | 53 V | 600 W | 7.7 A |
| 40IMX7 ² | 100 V | 1500 W | 11 A |
| 48IMS7 ² | 100 V | 600 W | 4.1 A |
| 70IMX7 ² | 144 V | 600 W | 2.9 A |
| 110IMX7 ² | 167 V | 600 W | 2.5 A |

¹ The built-in overvoltage trigger shuts down the converter at approx. 38 V protecting the input up to 50 V. For higher transient voltages an external suppressor or voltage limiting circuit as, e.g., for IEC/EN 61000-4-5, level 2 compliance should be provided.

² If transients generating currents above the peak pulse current are possible, an external limiting network such as the circuit recommended for IEC/EN 61000-4-5, level 2 compliance, is necessary.

To achieve IEC/EN 61000-4-5, level 2 compliance, an additional inductor and capacitor should be provided externally as shown in the figure below. The components should have similar characteristics as listed in table 4.

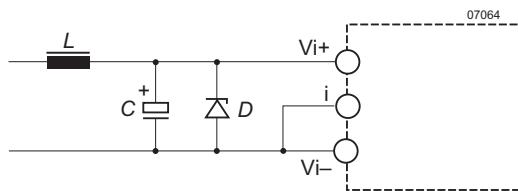


Fig. 4

Example for external circuitry to comply with IEC/EN 61000-4-5, level 2 (transzorb D only for 20IMX7).

Table 4: Components for external circuitry to comply with IEC/EN 61000-4-5, see table 8

| Model | L | C | D |
|---------|------------------------------------|-------------------|-----------|
| 20IMX7 | 330 μ H, 1 A, 0.115 Ω | 68 μ F, 63 V | 1.5KE39A |
| 24IMS7 | – | – | – |
| 40IMX7 | 330 μ H, 0.6 A, 0.42 Ω | 47 μ F, 100 V | 1.5KE100A |
| 48IMS7 | – | – | – |
| 70IMX7 | 1000 μ H, 0.6 A, 0.42 Ω | 22 μ F, 160 V | 1.5KE120A |
| 110IMX7 | 330 μ H, 0.2 A | 22 μ F, 200 V | 1.5KE170A |

Note: Suppressor diode D is only necessary for 20IMX7 models. To withstand 150 V transients according to 19 Pfl 1, applicable for 40IMX7 models, the same external circuitry with similar components as for IEC/EN 61000-4-5, level 2 compliance can be used.

Input Fuse and Reverse Polarity Protection

The suppressor diode on the input also provides for reverse polarity protection by conducting current in the reverse direction, thus protecting the converter. An external fuse is required to limit this current. We recommend for:

- 20IMX7 and 24IMS7 a fast 2 A (F2A) fuse
- 40IMX7 and 48IMS7 a fast 1 A (F1A) fuse
- 70IMX7 a fast 0.63 A (F.63A) fuse
- 110IMX7 a fast 0.63 A (F.63A) fuse.

Inrush Current

The inrush current has been kept as low as possible by choosing a very small input capacitance. A series resistor may be inserted in the input line to limit this current further.

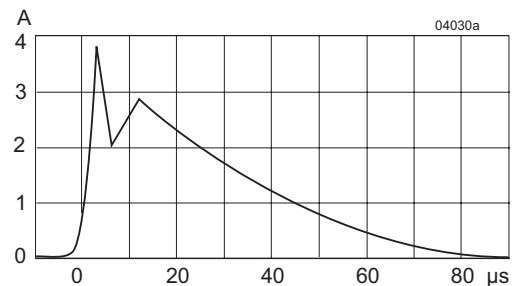


Fig. 5

Typical inrush current at $V_{i\ nom}$, $P_{o\ nom}$ measured according to ETS 300132-2 (40IMX7).

Electrical Output Data

General conditions:

- $T_A = 25\text{ °C}$, unless T_C is specified.
- Pin i connected with V_i –; Trim or R input left open-circuit.

Table 5a: Output data for single-output models

| Output | | V_o nom | 3.3 V | | | 5.1 V | | Unit |
|-----------------|--|--|---------------------------|------|-----|-------|------|------------------|
| Characteristics | | Conditions | min | typ | max | min | typ | |
| V_o | Output voltage setting | $V_{i\text{ nom}}$ | 3.28 | 3.32 | | 5.07 | 5.13 | V |
| I_o nom | Output current (nom.) | $V_{i\text{ min}} - V_{i\text{ max}}$ | 1.5 | | | 1.2 | | A |
| I_o L | Current limit ² | $V_{i\text{ nom}}$ | 1.78 | 2.7 | | 1.56 | 2.0 | |
| ΔV_o | Line and load regulation | $V_{i\text{ min}} - V_{i\text{ max}}$ $I_o = (0.05 - 1) I_o$ nom | | | ±1 | | | % |
| v_o | Output voltage noise | $V_{i\text{ min}} - V_{i\text{ max}}$ ⁵ $I_o = I_o$ nom ⁶ | 70 | | | 70 | | mV _{pp} |
| | | | 20 40 | | | 20 40 | | |
| | | | 40 50 | | | 40 50 | | |
| V_o clp | Output overvoltage limit ⁷ | Minimum load 1% | 115 | 130 | | 115 | 130 | % |
| C_o ext | Admissible capacitive load | | 0 | 2500 | | 0 | 2000 | µF |
| V_o d | Dynamic load regulation | Voltage deviat. | $V_{i\text{ nom}}$ | | | ±250 | | mV |
| t_d | | Recovery time | I_o nom ↔ 1/2 I_o nom | | | 1 | | ms |
| α_{V_o} | Temperature coefficient $\Delta V_o / \Delta T_C$ (T_C min to T_C max) | $V_{i\text{ min}} - V_{i\text{ max}}$ $I_o = (0.05 - 1) I_o$ nom | ±0.02 | | | ±0.02 | | %/K |

Table 5b: Output data for double-output models

| Output | | V_o nom | 2 × 5 V | | | 2 × 12 V | | 2 × 15 V | | 2 × 24 V | | Unit |
|----------------------|---|---|---------------------------------|------|------|----------|-------|----------|----------|----------|------------------|--------|
| Characteristics | | Conditions | min | typ | max | min | typ | max | min | typ | max | |
| V_{o1} V_{o2} | Output voltage setting | IMX7 | $V_{i\text{ nom}}$ | 4.96 | 5.04 | 11.90 | 12.10 | 14.88 | 15.12 | 23.81 | 24.19 | V |
| | | IMS7 | $I_{o1} = I_{o2} = 0.5 I_o$ nom | 4.95 | 5.05 | 11.88 | 12.12 | 14.85 | 15.15 | 23.75 | 24.25 | |
| V_{o1} V_{o2} | | IMX7 | $V_{i\text{ nom}}$ | 4.92 | 5.08 | 11.82 | 12.18 | 14.78 | 15.22 | 23.64 | 24.36 | V |
| | | IMS7 | $I_{o1} = I_{o2} = 0.5 I_o$ nom | 4.92 | 5.08 | 11.82 | 12.18 | 14.78 | 15.22 | 23.64 | 24.36 | |
| I_o nom | Output current (nom.) ¹ | $V_{i\text{ min}} - V_{i\text{ max}}$ | 2 × 0.6 | | | 2 × 0.25 | | | 2 × 0.13 | | A | |
| | other models | | 2 × 0.7 | | | 2 × 0.3 | | | 2 × 0.15 | | | |
| I_o L | Current limit ^{2 3} | 20IMX7 | $V_{i\text{ nom}}$ | 1.8 | 2.1 | 0.7 | 0.9 | 0.5 | 0.7 | 0.35 | 0.45 | A |
| | | other models | | 1.8 | 2.0 | 0.8 | 1.0 | 0.55 | 0.9 | 0.38 | 0.5 | |
| ΔV_{o1} | Line regulation | $V_{i\text{ min}} - V_{i\text{ max}}, I_o$ nom | | | ±1 | | | ±1 | | | % | |
| ΔV_{o1} | Load regulation ⁴ | $V_{i\text{ nom}}, (0.1 - 1) I_o$ nom | | | ±3 | | | ±3 | | | % | |
| $v_{o1,2}$ | Output voltage noise | $V_{i\text{ min}} - V_{i\text{ ma}}$ ⁵ $I_o = I_o$ nom ⁶ | 80 | | | 120 | | | 150 | | mV _{pp} | |
| | | | 20 40 | | | 25 50 | | | 30 60 | | | 50 100 |
| V_o clp | Output overvoltage limit ⁷ | Minimum load 1% | 115 | 130 | | 115 | 130 | 115 | 130 | 115 | 130 | % |
| C_o ext | Admissible capacitive load ³ | | 0 | 2000 | | 0 | 300 | 0 | 200 | 0 | 100 | µF |
| V_o d | Dynamic load regulation | Voltage deviat. | $V_{i\text{ nom}}$ | | | ±150 | | | ±330 | | mV | |
| t_d | | Recovery time | I_o nom ↔ 1/2 I_o nom | | | 1 | | | 1 | | ms | |
| α_{V_o} | Temperature coefficient of output voltage | $V_{i\text{ min}} - V_{i\text{ max}}$ $(0.05 - 1) I_o$ nom | ±0.02 | | | ±0.02 | | | ±0.02 | | %/K | |

¹ Each output is capable of delivering full output power P_o nom according to table Model Selection.

² The current limit is primary side controlled. I_o L is defined when V_o dropped to 85 to 94%.

³ Measured with both outputs connected in parallel.

⁴ Conditions for specified output. Other output loaded with constant current $I_o = 0.5 I_o$ nom.

⁵ BW = 20 MHz

⁶ Measured with a probe according to EN 61204.

⁷ The overvoltage protection is not tracking with the R control.

Thermal Considerations

If the converter, mounted on a PCB, is located in free, quasi-stationary air (convection cooling) at the maximum ambient temperature $T_{A \max}$ (see table *Temperature specifications*) and is operated at nominal input voltage and output power, the case temperature T_C measured at the measuring point of case temperature (see *Mechanical Data*) will approach $T_{C \max}$ after the warm-up phase. However, the relationship between T_A and T_C depends heavily on the conditions of operation and integration into a system, such as input voltage, output current, airflow, temperature of surrounding components and surfaces, and the properties of the printed circuit board. $T_{A \max}$ is therefore only an indicative value, and under practical operating conditions, T_A may be higher or lower.

Caution: The case temperature T_C measured at the measuring point of case temperature (see *Mechanical Data*) may under no circumstances exceed the specified maximum. The installer must ensure that under all operating conditions T_C remains within the limits stated in the table *Temperature specifications*.

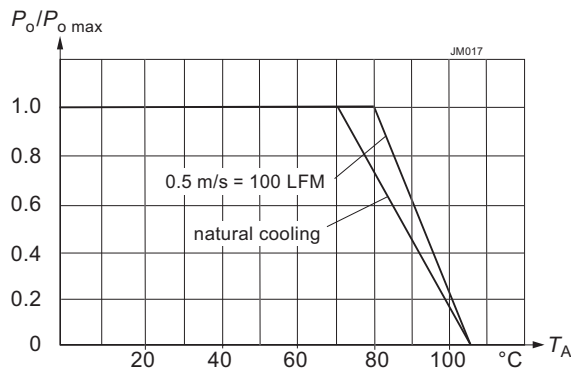


Fig. 6
 Maximum allowed output power versus ambient temperature

Short-Circuit Behavior

The current limitation shuts down the converter, when a short circuit is applied to the output. It acts self-protecting, and automatically recovers after removal of the overload condition.

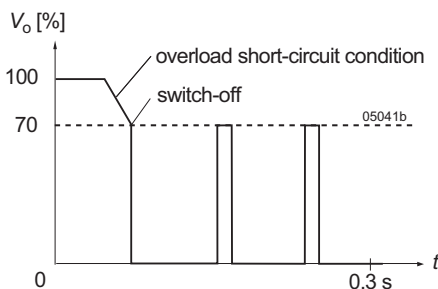


Fig. 7
 Overload switch-off (hiccup mode).

Output Overvoltage Protection

The outputs are protected against overvoltage by Zener diodes. In the event of an overvoltage, the converter will shut down and attempt to restart automatically. The main purpose of this feature is to protect against possible overvoltage, which could occur due to a failure in the feedback control circuit. The converters are not designed to withstand external overvoltages applied to the outputs.

Connection in Series or Parallel

The outputs of single- or double-output models can be connected in series without any precautions, taking into consideration that the output voltage should remain below 60 V for SELV operation.

Both outputs of double-output models can be connected in parallel without any precautions. Several converters (single- or double-output models) with equal output voltage can be put in parallel and will share their output current quite equally. However, this may cause start-up problems and is only recommended in applications, where one converter is able to deliver the full load current, e.g., in true redundant systems.

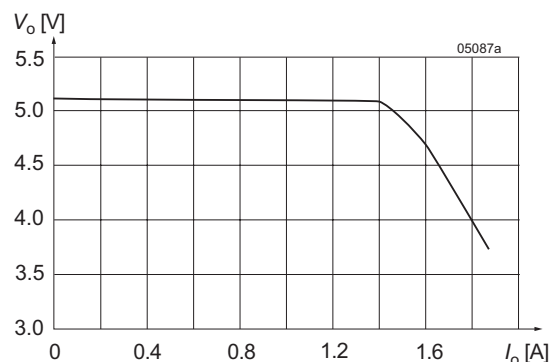


Fig. 8a
 V_o versus I_o (typ.) of single-output models with $V_o = 5.1$ V

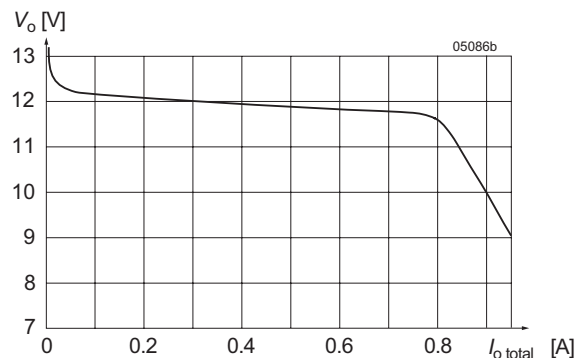


Fig. 8b
 V_o versus I_o (typ.) of double-output models (2×12 V) with both outputs in parallel

Typical Performance Curves

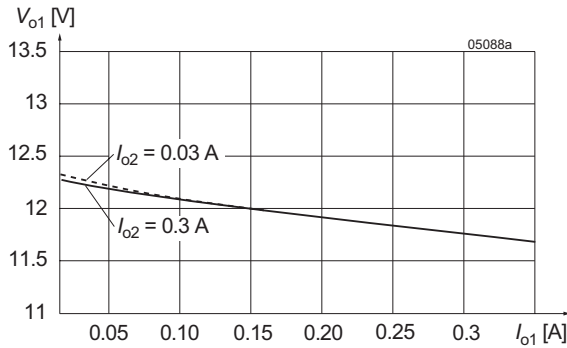


Fig. 9
 Cross load regulation (typ.) of double-output models (2×12 V). The cross-load effect is negligible.

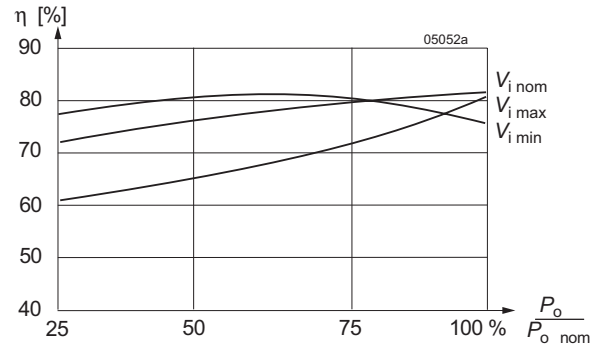


Fig. 11
 Efficiency versus input voltage and load. Typical values (40IMX7-12-12-8).

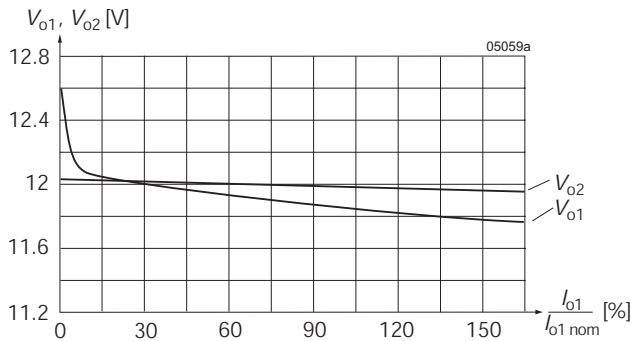


Fig. 10
 Flexible load distribution on double-outputs models (2×12 V) with load variation from 0 to 150% of $P_{o1,nom}$ on output 1. Output 2 loaded with 25% of $P_{o2,nom}$.

Auxiliary Functions

Inhibit Function

The output(s) of the converter may be enabled or disabled by means of a logic signal (TTL, CMOS, etc.) applied to the inhibit pin. No output voltage overshoot will occur, when the converter is turned on. If the inhibit function is not required, the inhibit pin should be connected to V_i- to enable the output (active low logic, fail safe).

| | | |
|-------------------------------|----------------------|---------------------------|
| Converter operating: | -10 V to 0.8 V | |
| Converter inhibited | | |
| or inhibit pin i left open: | 2.4 V to $V_{i,max}$ | (20/40IMX7, 24/48IMS7) |
| | 2.4 V to 75 V | (70/110IMX7) |

Adjustable Output Voltage

As a standard feature, all IMX7 and IMS7 converters offer adjustable output voltage(s) by using a control pin. If this pin is left open-circuit, the output voltage is set to $V_{o,nom}$. The output voltage is adjustable in the range of 75 to 105% of $V_{o,nom}$. The circuit works for single- and double-output models in a different way. For output voltages $V_o > V_{o,nom}$, the minimum input voltage $V_{i,min}$ (see *Electrical Input Data*) increases proportionally to $V_o/V_{o,nom}$.

Single-output models with R-input:

The R-input (pin 13) is referenced to the secondary side of the converter. Adjustment of the output voltage is possible by means of either an external resistor or a voltage source.

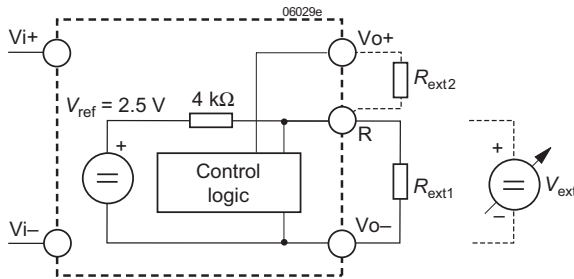


Fig. 12
 Output voltage adjust for single-output models

- a) Adjustment by means of an external resistor:
 Depending upon the value of the required output voltage, a resistor R_{ext1} or R_{ext2} shall be connected as shown in the figure below:
Either: R_{ext1} between the R pin and V_{o-} to achieve an output voltage adjustment range of $V_o = 75$ to 100% of $V_{o\ nom}$ (85 to 100% for 3.3 V outputs):

$$R_{ext1} \approx 4\text{ k}\Omega \cdot \frac{V_o}{V_{o\ nom} - V_o}$$

or: R_{ext2} between the R pin and V_{o+} to achieve an output voltage range of approximately $V_o = 100$ to 105% of $V_{o\ nom}$:

$$R_{ext2} \approx 4\text{ k}\Omega \cdot \frac{(V_o - 2.5\text{ V})}{2.5\text{ V} \cdot (V_o/V_{o\ nom} - 1)}$$

- b) Adjustment by means of an external voltage V_{ext} between V_{o-} and R pin.
 The control voltage is 1.96 to 2.62 V and allows for adjustment in the range of 75 to 105% of $V_{o\ nom}$.

$$V_{ext} \approx \frac{V_o \cdot 2.5\text{ V}}{V_{o\ nom}}$$

Caution: Applying an external voltage $>2.75\text{ V}$ may damage the converter.

Note: Attempting to adjust the output below this range will cause the converter to shut down (hiccup mode).

Double-output models with Trim input:

The Trim input (pin 4) of double-output models is referenced to the primary side. Figure 13 shows the circuitry. Adjustment of the output voltage is possible in the range of 100 to 105% of V_o using an external resistor, or in the range of 75 to 105% of V_o using an external voltage source.

- a) Adjustment by means of an external resistor R_{ext} .
 Programming of the output voltage by means of an external resistor R_{ext1} is possible within a limited range of

100 to 105% $V_{o\ nom}$. R_{ext} should be connected between pin 4 and V_{i-} . The following table indicates suitable resistor values for typical output voltages under nominal conditions ($V_{i\ nom}$, $I_o = 0.5 I_{o\ nom}$), with paralleled outputs or equal load conditions on each output.

Caution: Connection of R_{ext} to V_{i+} may damage the converter.

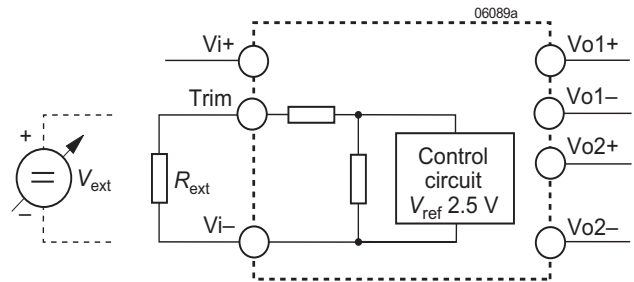


Fig. 13
 Output voltage adjust for double-output models

Table 6: R_{ext} for $V_o > V_{o\ nom}$
 approximate values ($V_{i\ nom}$, $I_{o1} = I_{o2} = 0.5 I_{o1/2\ nom}$)

| V_o [% $V_{o\ nom}$] | R_{ext} [kΩ] |
|----------------------------|----------------|
| 105 to 108 (107 typically) | 0 |
| 105 | 1.5 |
| 104 | 5.6 |
| 103 | 12 |
| 102 | 27 |
| 101 | 68 |
| 100 | ∞ |

Note: Applying a control voltage greater than 20 V will set the converter into a hiccup mode.

- b) Adjustment by means of an external voltage source V_{ext} .
 For external output voltages in the range of 75 to 105% of $V_{o\ nom}$ a voltage source V_{ext} (0 to 20 V) is required, connected to the Trim-input (pin 4) and V_{i-} . The table below indicates typical V_o versus V_{ext} values under nominal conditions ($V_{i\ nom}$, $I_o = 0.5 I_{o\ nom}$), with paralleled outputs or equal load conditions on each output. Direct paralleling of the Trim-inputs of converters connected in parallel is feasible.

Table 7: V_{ext} for $V_o = 75$ to 105% $V_{o\ nom}$;
 typical values ($V_{i\ nom}$, $I_{o1} = I_{o2} = 0.5 I_{o1/2\ nom}$)

| V_o [% $V_{o\ nom}$] | V_{ext} [V] |
|-------------------------|---------------|
| ≥ 105 | 0 |
| 102 | 1.6 |
| 95 | 4.5 |
| 85 | 9 |
| 75 | 13 |

Electromagnetic Compatibility (EMC)

A suppressor diode together with an input filter form an effective protection against high input transient voltages, which

typically occur in many installations, but especially in battery-driven mobile applications.

Electromagnetic Immunity

Table 8: Immunity type tests

| Phenomenon | Standard | Class level | Coupling mode ¹ | Value applied | Waveform | Source imped. | Test procedure | In oper. | Perf. crit. ² |
|--|------------------|------------------------------------|----------------------------|---|--|----------------|--|----------|--------------------------|
| Electrostatic discharge to case ⁵ | IEC/EN 61000-4-2 | 2 | contact discharge | 4000 V _p | 1/50 ns | 330 Ω | 10 positive and 10 negative discharges | yes | B |
| | | 3 | air discharge | 8000 V _p | | | | | |
| Electromagnetic field | IEC/EN | 3 ⁶ 2 ³ | antenna | 10 V/m 3 V/m ³ | AM 80% 1 kHz | n.a. | 80 – 1000 MHz | yes | A |
| | ENV 50204 | 3 2 ³ | antenna | 10 V/m 3 V/m ³ | PM, 50% duty cycle, 200 Hz repetition frequ. | n.a. | 900 MHz | yes | A |
| Electrical fast transients/burst | IEC/EN 61000-4-4 | 4 3 ³ | direct +i/-i | 4000 V _p 2000 V _p ³ | bursts of 5/50 ns 5 kHz repet. rate, transients with 15 ms burst duration, and 300 ms period | 50 Ω | 60 s positive, 60 s negative transients per coupling mode | yes | B |
| Surges | IEC/EN 61000-4-5 | 2 ⁴ 1 ³ 4 | +i/-i | 1000 V _p 500 V _p ³ | 1.2/50 μs | 42 Ω 0.5 μF | 5 pos. and 5 neg. surges | yes | B |
| RF conducted immunity | IEC/EN 61000-4-6 | 3 2 ³ | +i/-i | 10 VAC 3 VAC | AM modul. 80% 1 kHz | 50 Ω | 0.15 to 80 MHz 150 Ω | yes | A |

¹ i = input, o = output

² Performance criterion: A = normal operation, no deviation from specifications, B = temporary deviation from specs possible

³ Valid for 24IMS7 and 48IMS7

⁴ External components required

⁵ R or Trim pin open, i pin connected with Vi-

⁶ Corresponds to the railway standard EN 50121-3-2:2000, table 9.1

Electromagnetic Emissions

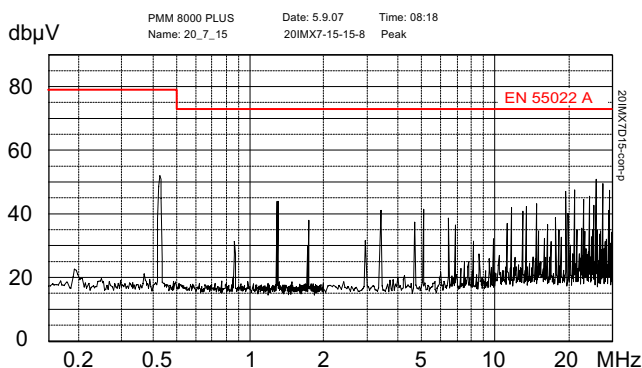


Fig. 14a

20IMX7-15-15-8: Typical conducted emissions (peak) at the input at $V_{i\text{nom}}$ and $I_{o\text{nom}}$ according to EN 55011/22. Output leads 0.1 m, twisted. External input capacitor (1 μF ceramic + 100 μF electrolytic cap)

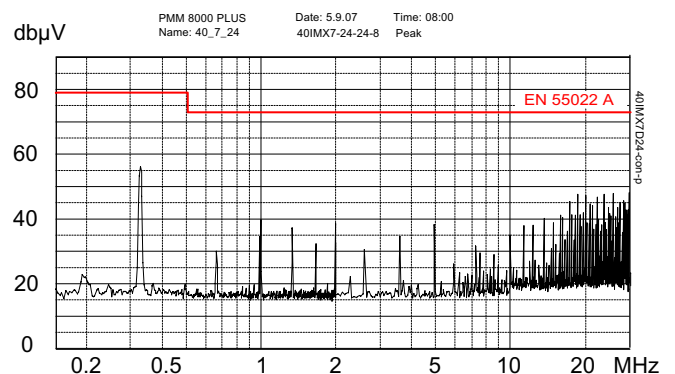
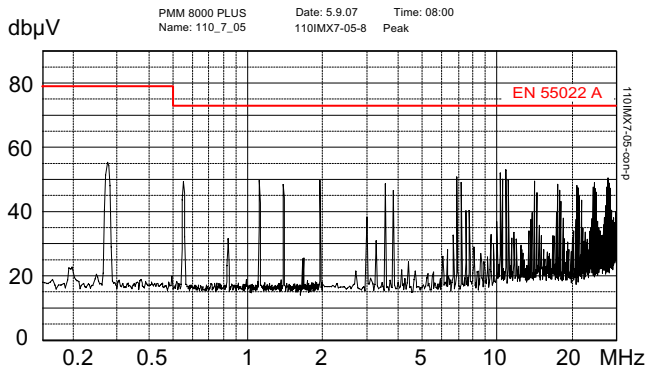
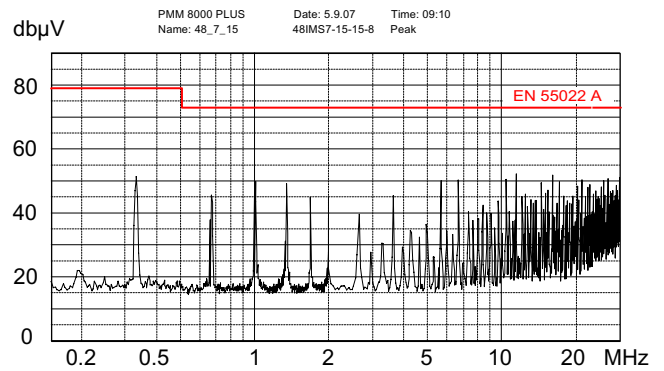


Fig. 14b

40IMX7-24-24-8: Typical conducted emissions (peak) at the input at $V_{i\text{nom}}$ and $I_{o\text{nom}}$ according to EN 55011/22. Output leads 0.1 m, twisted. External input capacitor (1 μF ceramic + 47 μF electrolytic cap)


Fig. 14c

110IMX7-05-8: Typical conducted emissions (peak) at the input at $V_{i\text{nom}}$ and $I_{o\text{nom}}$ according to EN 55011/22. Output leads 0.1 m, twisted. External input capacitor (0.15 μF ceramic + 4.7 μF electrolytic cap).


Fig. 15

48IMS7-15-15-8: Typical conducted emissions (peak) at the input at $V_{i\text{nom}}$ and $I_{o\text{nom}}$ according to EN 55011/22. Output leads 0.1 m, twisted. External input capacitor (1 μF ceramic + 47 μF electrolytic cap).

Immunity to Environmental Conditions

Table 9: Mechanical and climatic stress

| Test Method | | Standard | Test conditions | | Status |
|-------------|---|--|---|--|-------------------------|
| Cab | Damp heat steady state | IEC/EN 60068-2-78 MIL-STD-810D section 507.2 | Temperature: | 40 ± 2 °C | Converter not operating |
| | | | Relative humidity: | 93 $\pm 2/-3$ % | |
| | | | Duration: | 56 days | |
| Ea | Shock (half-sinusoidal) | IEC/EN 60068-2-27 ¹ MIL-STD-810D section 516.3 | Acceleration amplitude: | 100 $g_n = 981$ m/s ² | Converter operating |
| | | | Bump duration: | 6 ms | |
| | | | Number of bumps: | 18 (3 each direction) | |
| Eb | Bump (half-sinusoidal) | IEC/EN 60068-2-29 MIL-STD-810D section 516.3 | Acceleration amplitude: | 40 $g_n = 392$ m/s ² | Converter operating |
| | | | Bump duration: | 6 ms | |
| | | | Number of bumps: | 6000 (1000 each direction) | |
| Fc | Vibration (sinusoidal) | IEC/EN 60068-2-6 | Acceleration amplitude: | 0.35 mm (10 to 60 Hz) | Converter operating |
| | | | 5 $g_n = 49$ m/s ² (60 to 2000 Hz) | | |
| | | | Frequency (1 Oct/min): Test duration: | 10 to 2000 Hz 7.5 h (2.5 h each axis) | |
| Fh | Vibration, broad-band random (digital control) | IEC/EN 60068-2-64 | Acceleration spectral density: | 0.05 g_n^2/Hz | Converter operating |
| | | | Frequency band: | 10 to 500 Hz | |
| | | | Acceleration magnitude: Test duration: | 4.9 $g_{n\text{rms}}$ 3 h (1 h each axis) | |
| Kb | Salt mist, cyclic (sodium chloride NaCl solution) | IEC/EN 60068-2-52 | Concentration: | 5% (30 °C) | Converter not operating |
| | | | Duration: | 2 h per cycle | |
| | | | Storage: | 40 °C, 93% rel. humidity | |
| | | | Storage duration: Number of cycles: | 22 h per cycle 3 | |

¹ Covers also EN 50155/EN 61373 category 1, class B, body mounted (= chassis of coach)

Temperatures

Table 10: Temperature specifications, valid for air pressure of 800 to 1200 hPa (800 to 1200 mbar)

| Temperature | | | -9 | | -8 | | Unit |
|-----------------|---------------------|--------------------------|-----|-----|-----|-----|------|
| Characteristics | | Conditions | min | max | min | max | |
| T_A | Ambient temperature | Operational ¹ | -40 | 71 | -40 | 85 | °C |
| T_C | Case temperature | | -40 | 95 | -40 | 105 | |
| T_S | Storage temperature | Non operational | -55 | 100 | -55 | 105 | |

¹ See Thermal Considerations

Failure Rates

Table 11: MTBF and device hours

| Model | Standard | Ground benign | | Ground fixed | | Ground mobile | Unit |
|----------------|---------------|----------------------------------|----------------------------------|----------------------------------|----------------------------------|---------------|------|
| | | $T_C = 40\text{ }^\circ\text{C}$ | $T_C = 40\text{ }^\circ\text{C}$ | $T_C = 70\text{ }^\circ\text{C}$ | $T_C = 50\text{ }^\circ\text{C}$ | | |
| 24IMS7-05-9 | MIL-HDBK-217F | 634 000 | 321 000 | 188 000 | 271 000 | h | |
| 40IMX7-12-12-8 | MIL-HDBK-217F | 851 000 | 395 000 | 253 000 | 342 000 | | |
| | Bellcore | 3 019 000 | 1 510 000 | 809 000 | 409 000 | | |
| 40IMX7-05-05-8 | Bellcore | 3 320 000 | 1 660 000 | 871 000 | 447 000 | | |

Mechanical Data

Dimensions in mm (inches).
 Tolerances ± 0.3 mm,
 unless otherwise noted.
 Material: PPS Fortron 1140L6

Weight: <20 g

Fig. 16

Case IMX7/IMS7 with
 standard pinout

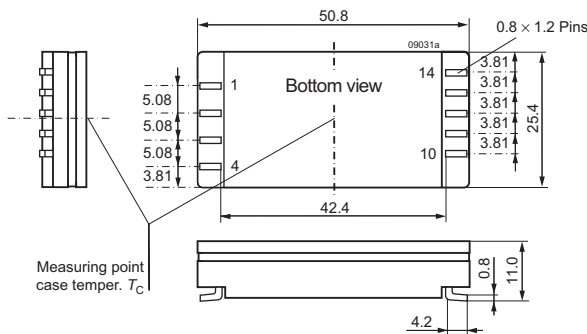
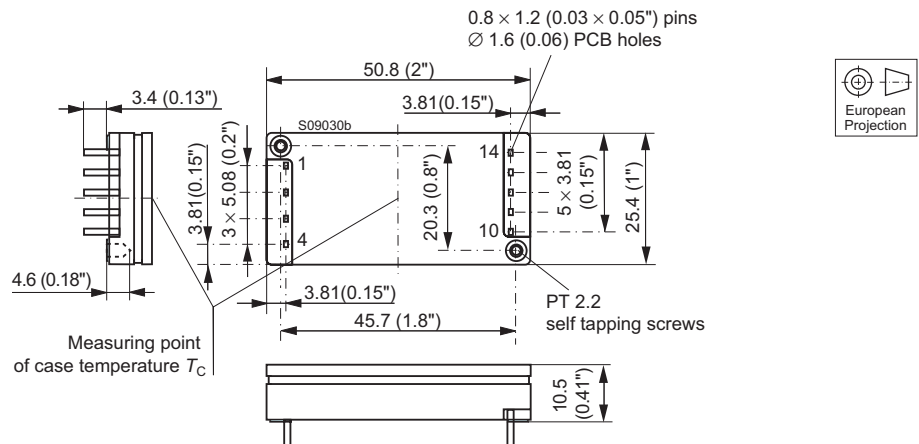
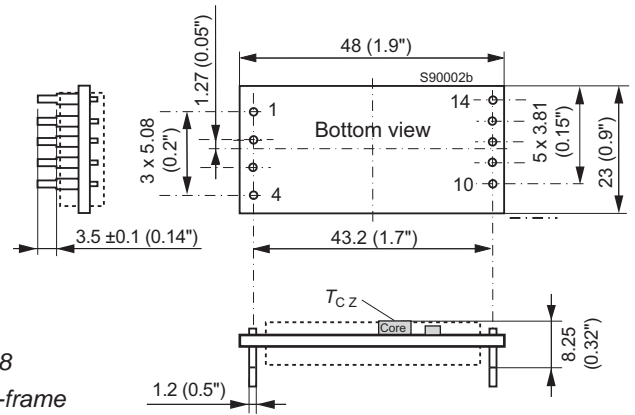


Fig. 17

SMD pins (option M)

Fig. 18

Open-frame
 model (option Z)



Safety and Installation Instructions

Pin Allocation

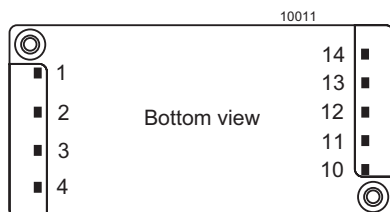


Fig. 19

Footprint

Table 12: Pin allocation

| Pin | Single output | Double output |
|-----|---------------|---------------|
| 1 | Vi+ | Vi+ |
| 2 | Vi- | Vi- |
| 3 | i | i |
| 4 | n.c. | Trim |
| 10 | Vo- | Vo1- |
| 11 | Vo+ | Vo1+ |
| 12 | Vo- | Vo2- |
| 13 | R | Vo2+ |
| 14 | n.c. | n.c. |

Installation Instruction

Installation of the converters must strictly follow the national safety regulations in compliance with the enclosure, mounting, creepage, clearance, casualty, markings, and segregation requirements of the end-use application.

Connection to the system shall be made via a printed circuit board; see *Mechanical Data*.

The converters should be connected to a secondary circuit.

Do not open the converter.

Ensure that a converter failure does not result in a hazardous conditions.

To prevent excessive current flowing through the input lines in case of a short-circuit, an external fuse specified in section *Input Fuse and Reverse Polarity Protection* should be installed in the non-earthed input supply line.

Standards and Approvals

The converters are approved according to IEC 60950-1 and UL/CSA 60950-1 2nd Edition.

The converters have been evaluated for:

- Building-in
- Basic insulation input to output, based on their maximum input voltage
- Pollution degree 2 environment
- Connecting the input to a secondary circuit, which is subject to a maximum transient rating of
 - 1500 V for 20IMX7, 24IMS7, 40IMX7, 48IMS7
 - 2000 V for 70IMX7
 - 2500 V for 110IMX7.

The converters are subject to manufacturing surveillance in accordance with the above mentioned standards.

Railway Applications

To comply with railway standards, all components are coated with a protective lacquer (except option Z).

Protection Degree and Cleaning Liquids

The protection degree of the converters is IP 30, except open-frame models (option Z).

In order to avoid possible damage, any penetration of cleaning fluids should be prevented, since the power supplies are not hermetical sealed.

However, open-frame models (option Z) leave the factory unlacquered; they may be lacquered by the customer, for instance together with the mother board. Cleaning agents are not permitted – except washing at room temperature with isopropyl alcohol. If necessary, the mother board must be cleaned, before fitting the open-frame converter.

Note: Cleaning liquids may damage the adhesive joints of the ferrite cores.

Isolation

The electric strength test is performed in the factory as a routine test in accordance with EN 50514 and IEC/EN 60950, and should not be repeated in the field. The Company will not honor any warranty claims resulting from electric strength field tests.

Table 12: Electric strength test voltages

| Characteristic | Input to output | | | o/o ³ | Unit |
|-------------------------------|----------------------|--------------------------------|--------|------------------|------|
| | 20/40IMX 24/48IMS | 20/40IMX ² 70IMX | 110IMX | | |
| Factory test >1 s | 1.2 | 1.5 ¹ | 2.0 | 0.1 | kVAC |
| Equivalent DC volt. | (1.5) | (2.1) | (2.5) | 0.15 | kVDC |
| Coupling capacitance | 1.2 | 1.2 | 1.2 | – | nF |
| Insulation resist. at 500 VDC | >100 | >100 | >100 | – | MΩ |

¹ 1.5 kVAC according to IEC 60950, sect. 6.2, Telecom equipment; type test with 1.5 kVAC / 60 s (IEE 802.3).=

² 20/40IMX7 produced 2014 or later.

³ The test voltage between outputs is not applied as routine test.

Description of Options

Option M: SMD pins

This option allows surface mounting of the converters.

Option Z: Open Frame

For applications, where the protection by a housing is not

necessary or in the case that the motherboard should be lacquered after fitting the converter; see *Cleaning Liquids*.

Option G: RoHS-6

Converters with a type designation ending by G are RoHS-compliant for all six substances.

NUCLEAR AND MEDICAL APPLICATIONS - These products are not designed or intended for use as critical components in life support systems, equipment used in hazardous environments, or nuclear control systems.

TECHNICAL REVISIONS - The appearance of products, including safety agency certifications pictured on labels, may change depending on the date manufactured. Specifications are subject to change without notice.

Copyright © 2015, Bel Power Solutions Inc. All rights reserved.

www.belpowersolutions.com/power

Mouser Electronics

Authorized Distributor

Click to View Pricing, Inventory, Delivery & Lifecycle Information:

Bel Power Solutions:

[20IMX7-24-24-8G](#) [110IMX7-05-05-8G](#) [40IMX7-24-24-8G](#) [20IMX7-12-12-8G](#) [20IMX7-05-8G](#) [40IMX7-05-05-8G](#)
[70IMX7-05-8G](#) [40IMX7-15-15-8G](#) [20IMX7-05-05-8G](#) [20IMX7-15-15-8G](#) [40IMX7-12-12-8G](#) [110IMX7-05-8G](#)
[110IMX7-24-24-8G](#) [40IMX7-03-8G](#) [70IMX7-05-05-8G](#) [110IMX7-12-12-8G](#) [40IMX7-05-8G](#) [70IMX7-03-8G](#) [70IMX7-](#)
[12-12-8G](#) [110IMX7-15-15-8G](#) [20IMX7-03-8G](#) [70IMX7-15-15-8](#) [24IMS7-05-9](#) [110IMX7-05-05-8](#) [110IMX7-24-24-8](#)
[70IMX7-15-15-8G](#) [20IMX7-12-12-8](#) [40IMX7-05-05-8](#) [24IMS7-05-05-9](#) [20IMX7-05-8](#) [70IMX7-05-05-8](#) [20IMX7-24-24-8](#)
[110IMX7-12-12-8](#) [20IMX7-05-05-8](#) [40IMX7-12-12-8](#) [70IMX7-12-12-8](#) [70IMX7-05-8](#) [110IMX7-05-8](#) [20IMX7-15-15-8](#)
[70IMX7-24-24-8](#) [24IMS7-12-12-9G](#) [20IMX7-15-15-8M](#)

Компания «Life Electronics» занимается поставками электронных компонентов импортного и отечественного производства от производителей и со складов крупных дистрибьюторов Европы, Америки и Азии.

С конца 2013 года компания активно расширяет линейку поставок компонентов по направлению коаксиальный кабель, кварцевые генераторы и конденсаторы (керамические, пленочные, электролитические), за счёт заключения дистрибьюторских договоров

Мы предлагаем:

- Конкурентоспособные цены и скидки постоянным клиентам.
- Специальные условия для постоянных клиентов.
- Подбор аналогов.
- Поставку компонентов в любых объемах, удовлетворяющих вашим потребностям.
- Приемлемые сроки поставки, возможна ускоренная поставка.
- Доставку товара в любую точку России и стран СНГ.
- Комплексную поставку.
- Работу по проектам и поставку образцов.
- Формирование склада под заказчика.
- Сертификаты соответствия на поставляемую продукцию (по желанию клиента).
- Тестирование поставляемой продукции.
- Поставку компонентов, требующих военную и космическую приемку.
- Входной контроль качества.
- Наличие сертификата ISO.

В составе нашей компании организован Конструкторский отдел, призванный помогать разработчикам, и инженерам.

Конструкторский отдел помогает осуществить:

- Регистрацию проекта у производителя компонентов.
- Техническую поддержку проекта.
- Защиту от снятия компонента с производства.
- Оценку стоимости проекта по компонентам.
- Изготовление тестовой платы монтаж и пусконаладочные работы.



Тел: +7 (812) 336 43 04 (многоканальный)
Email: org@lifeelectronics.ru