

PCB Fuse Clips for ATC/ATM Blade, 5mm, 1/4" & 13/32" Diameter Fuses

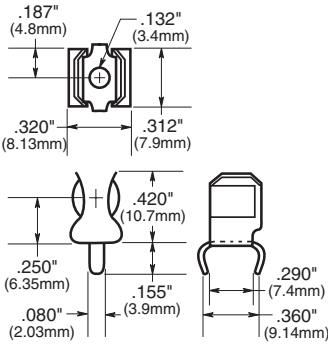
1AXXXX Series

For 1/4" Diameter Fuses

1A1119 Series***

With End Stops and Angled In Leads

Dimensional Data



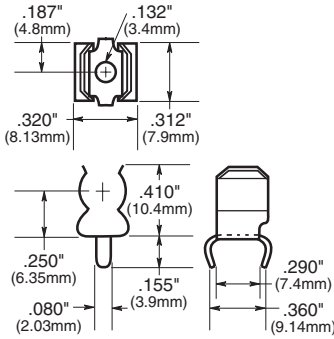
| Catalog Number | Clip Mat.* | Finish |
|----------------|-------------|------------|
| 1A1119-04 | BeCu** | Bright Tin |
| 1A1119-05 | BeCu** | Silver |
| 1A1119-10 | Cart. Brass | Bright Tin |



1A1120 Series***

Without End Stops and Angled In Leads

Dimensional Data



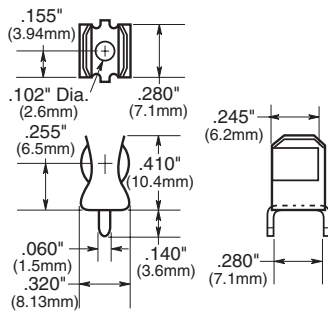
| Catalog Number | Clip Mat.* | Finish |
|----------------|-------------|------------|
| 1A1120-02 | Cart. Brass | Bright Dip |
| 1A1120-05 | BeCu** | Silver |
| 1A1120-06 | BeCu** | Bright Tin |
| 1A1120-09 | Cart. Brass | Bright Tin |



1A1907 Series***

With End Stops & Straight Leads

Dimensional Data



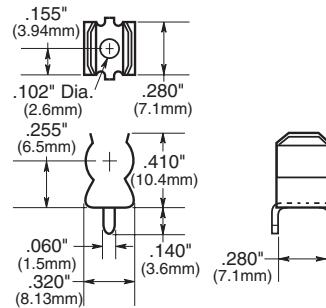
| Catalog Number | Clip Mat.* | Finish |
|----------------|-------------|--------------------|
| 1A1907-02 | Cart. Brass | None Bright Dipped |
| 1A1907-03 | BeCu** | Bright Tin |
| 1A1907-05 | BeCu** | Silver |
| 1A1907-06 | Cart. Brass | Bright Tin |



1A3398 Series***

Without End Stops & Straight Leads

Dimensional Data



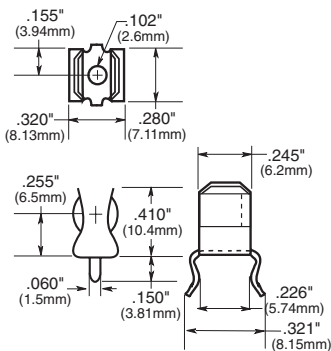
| Catalog Number | Clip Mat.* | Finish |
|----------------|-------------|------------|
| 1A3398-07 | Cart. Brass | Bright Tin |



1A4534 Series***

With End Stops & Angled Out Leads

Dimensional Data



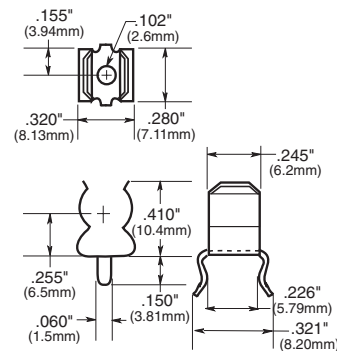
| Catalog Number | Clip Mat.* | Finish |
|----------------|-------------|------------|
| 1A4534-01 | BeCu** | Bright Tin |
| 1A4534-06 | Cart. Brass | Bright Tin |



1A4533 Series***

Without End Stops & Angled Out Leads

Dimensional Data



| Catalog Number | Clip Mat.* | Finish |
|----------------|-------------|------------|
| 1A4533-01 | BeCu** | Bright Tin |
| 1A4533-06 | Cart. Brass | Bright Tin |



*Spg. Br. - Spring Bronze; BeCu - Beryllium Copper; Cart. Brass - Cartridge Brass

**Beryllium copper recommended for currents higher than 15 amps.

***For RoHS compliant version add "-R" option code suffix to part number.

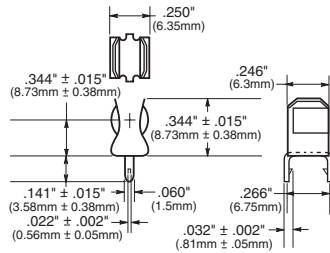
PCB Fuse Clips for ATC/ATM Blade, 5mm, 1/4" & 13/32" Diameter Fuses

1AXXX Series

For 5mm Diameter Fuses

1A5601 Series (0 to 7 amps)

Dimensional Data



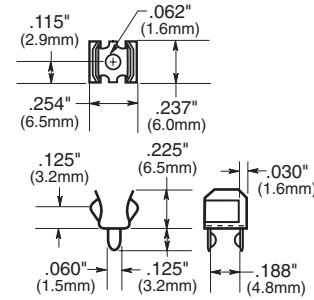
| Catalog Number | Clip Mat.* | Finish |
|----------------|-------------|------------|
| 1A5601 | Cart. Brass | Bright Tin |

1A3399 and 1A5018 Series***

With Straight Leads



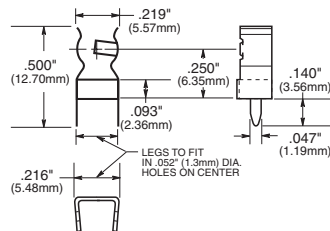
Dimensional Data



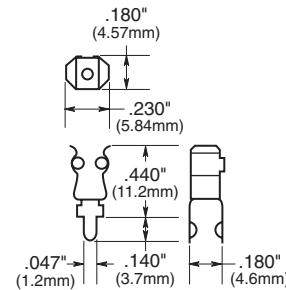
| Catalog Number | Clip Mat.* | Finish |
|----------------|------------|------------|
| 1A3399-10 | Spg. Br. | Bright Tin |
| 1A3399-01 | BeCu** | Silver |
| 1A3399-04 | BeCu** | Bright Tin |

1A5602 Series (0 to 7 Amps)

Dimensional Data



| Catalog Number | Clip Mat. | Finish |
|----------------|-------------|------------|
| 1A5602 | Cart. Brass | Bright Tin |



High Profile

| Catalog Number | Clip Mat.* | Finish |
|----------------|------------|------------|
| 1A5018-10 | Spg. Br. | Bright Tin |
| 1A5018-7 | Spg. Br. | Silver |

Specifications

5mm PCB Mount Fuseclips
 Current Rating: 15A
 Voltage Rating: 500Vac
 PCB Terminals: Solder Lug

*Spg. Br. - Spring Bronze; BeCu - Beryllium Copper; Cart. Brass - Cartridge Brass.

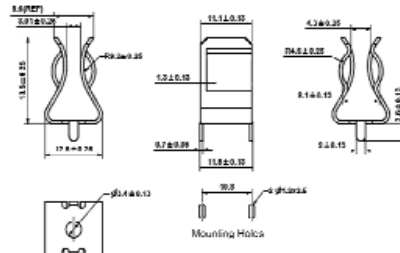
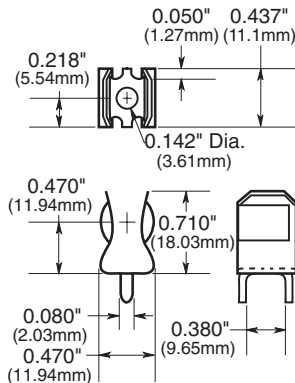
**Beryllium copper recommended for currents higher than 15 amps.

For 13/32" Diameter Fuses

1A3400 Series***

With End Stops & Straight Leads

Dimensional Data



1A3400-12

Specifications:

| Catalog Number | Clip Material | Finish | Amp Rating |
|----------------|------------------|------------|------------|
| 1A3400-09 | Spring Bronze | Bright Tin | 20A Max. |
| 1A3400-10 | Beryllium Copper | Silver | 30A Max. |
| 1A3400-12 | Spring Brass | Bright Tin | 15A Max. |

***For RoHS compliant version add "-R" option code suffix to part number.

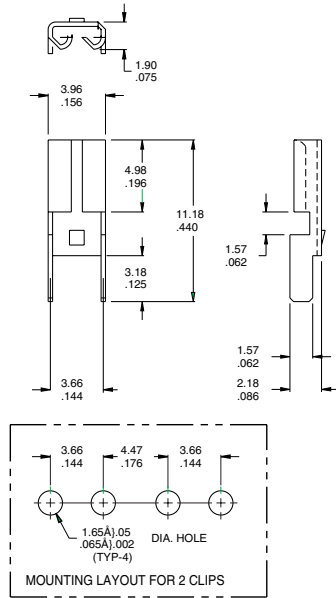
PCB Fuse Clips for ATC/ATM Blade, 5mm, 1/4" & 13/32" Diameter Fuses

1AXXX Series

ATM Fuses

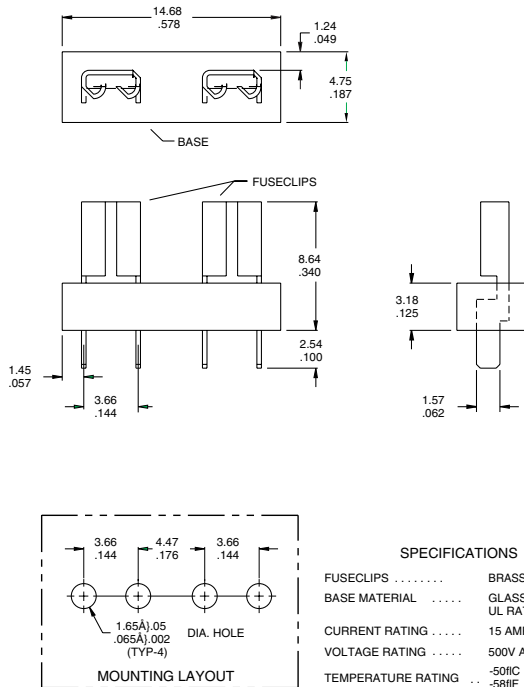
1A5778 Series

Dimensional Data



MATERIAL: BRASS, NICKEL PLATED, .30/.012 THICK

1A5779 Series



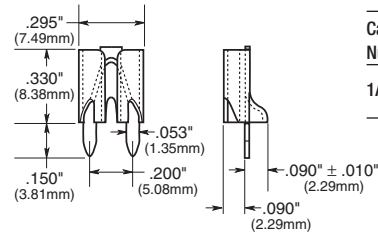
SPECIFICATIONS

| | |
|-----------------------|------------------------------------|
| FUSECLIPS | BRASS, NICKEL PLATED |
| BASE MATERIAL | GLASS FILLED NYLON, UL RATED 94V-0 |
| CURRENT RATING | 15 AMPS |
| VOLTAGE RATING | 500V AC |
| TEMPERATURE RATING .. | -50°C TO 145°C / -58°F TO 292°F |

ATC Fuses (0 to 20 Amps)

1A5600 Series

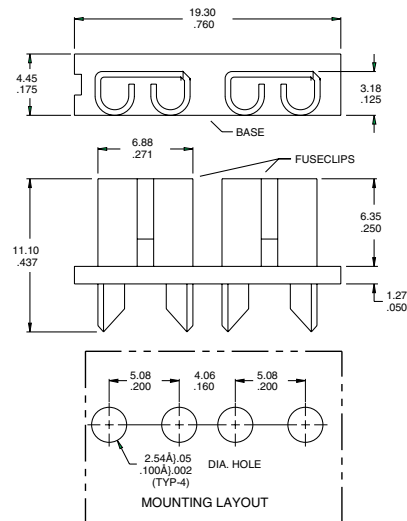
Dimensional Data



| Catalog Number | Clip Mat.* | Finish |
|----------------|-------------|------------------|
| 1A5600 | Cart. Brass | Satin Finish Tin |

1A5780 Series

Dimensional Data



SPECIFICATIONS

| | |
|-----------------------|------------------------------------|
| FUSECLIPS | BRASS, NICKEL PLATED |
| BASE MATERIAL | GLASS FILLED NYLON, UL RATED 94V-0 |
| CURRENT RATING | 15 AMPS |
| VOLTAGE RATING | 500V AC |
| TEMPERATURE RATING .. | -50°C TO 145°C / -58°F TO 292°F |

*Spg. Br. - Spring Bronze; BeCu - Beryllium Copper; Cart. Brass - Cartridge Brass

***For RoHS compliant version add "-R" option code suffix to part number.

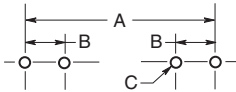
PCB Fuse Clips for ATC/ATM Blade, 5mm, 1/4" & 13/32" Diameter Fuses

1AXXXX Series

Fuse Clip Catalog Numbers

Footprint

Dimensional Data



Dimensions

| Catalog Number | A | | | | | | ATC | ATM | B Tabs | C (4 holes) | Board Thickness |
|----------------|------------------|-------------------|--------------------|-------------------|-------------------|-------------------------------|------------------|-------------------|------------------------------|-------------------------------|-----------------------------------|
| | 1/8" (22.2mm) | 1" (25.4mm) | 1/4" (31.8mm) | 1/8" (34.93mm) | 1/2" (38.10mm) | 20mm | — | — | | | |
| 1A5778- | — | — | — | — | — | — | — | 0.464" (11.79) | 0.144" (3.66) | 0.065"±0.002" (1.65±0.05) | 0.062" (1.57) |
| 1A5779- | — | — | — | — | — | — | — | 0.464" (11.79) | 0.144" (3.66) | 0.065"±0.002" (1.65±0.05) | 0.062" (1.57) |
| 1A5780- | — | — | — | — | — | — | 0.560 (14.22) | — | 0.200" (5.08) | 0.100"±0.002" (2.54±0.05) | 0.062" (1.57) |
| 1A3398- | 1.00" (25.40) | 1.125" (28.58) | 1.375" (34.920) | — | — | — | — | — | 0.295"-0.305" (7.49-7.75) | 0.067"-0.070" (1.70-1.78) | 0.093" (2.36) |
| 1A1907- | — | — | — | — | — | — | — | — | — | — | — |
| 1A1119- | 1.00" (25.40) | 1.125" (28.58) | 1.375" (34.92) | — | — | — | — | — | 0.295"-0.305" (7.49-7.75) | 0.093"±0.002" (2.36±0.05) | 0.062"to 0.125" (1.57to3.18) |
| 1A1120- | 1.00" (25.40) | 1.125" (28.58) | 1.375" (34.920) | — | — | — | — | — | 0.295"-0.305" (7.49-7.75) | 0.093"±0.002" (2.36±0.05) | 0.062"to 0.125" (1.57 to 3.18) |
| 1A3399- | — | — | — | — | — | 0.875" (22.23) | — | — | 0.200" (5.08) | 0.067"-0.070" (1.70-1.78) | 0.093" (2.36) |
| 1A3400- | — | — | — | 1.50" (38.10) | 1.625" (41.28) | — | — | — | 0.405" (10.29) | 0.091"-0.095" (2.31-2.41) | 0.125" (3.18) |
| 1A4533- | 1.00" (25.40) | 1.125" (28.58) | 1.375" (34.920) | — | — | — | — | — | 0.300" (7.62) | 0.067"-0.070" (1.70-1.78) | 0.062" (1.57) |
| 1A4534- | 1.00" (25.40) | 1.125" (28.58) | 1.375" (34.920) | — | — | — | — | — | 0.300" (7.62) | 0.067"-0.070" (1.70-1.78) | 0.062" (1.57) |
| 1A5018- | — | — | — | — | — | 0.820"±0.015" (20.80±0.38) | — | — | 0.180" (4.6) | 0.053"-0.002" (1.35-0.05) | 0.093" (2.36) |
| 1A5600- | — | — | — | — | — | — | — | — | 0.200" (5.08) | 0.052"±0.003" (1.32±0.077) | 0.125"max. (3.18) |
| 1A5601- | — | — | — | — | — | 0.820"±0.015" (20.80±0.38) | — | — | 0.266" (6.76) | 0.067"±0.003" (1.70±0.074) | 0.062" (1.57) |
| 1A5602- | — | — | — | — | — | — | — | — | 0.220" (5.588) | — | 0.125"max. (3.175) |

*Spg. Br. - Spring Bronze; BeCu - Beryllium Copper; Cart. Brass - Cartridge Brass

**Beryllium copper recommended for currents higher than 15 amps.

The only controlled copy of this Data Sheet is the electronic read-only version located on the Cooper Bussmann Network Drive. All other copies of this document are by definition uncontrolled. This bulletin is intended to clearly present comprehensive product data and provide technical information that will help the end user with design applications. Cooper Bussmann reserves the right, without notice, to change design or construction of any products and to discontinue or limit distribution of any products. Cooper Bussmann also reserves the right to change or update, without notice, any technical information contained in this bulletin. Once a product has been selected, it should be tested by the user in all possible applications.

Компания «Life Electronics» занимается поставками электронных компонентов импортного и отечественного производства от производителей и со складов крупных дистрибьюторов Европы, Америки и Азии.

С конца 2013 года компания активно расширяет линейку поставок компонентов по направлению коаксиальный кабель, кварцевые генераторы и конденсаторы (керамические, пленочные, электролитические), за счёт заключения дистрибьюторских договоров

Мы предлагаем:

- Конкурентоспособные цены и скидки постоянным клиентам.
- Специальные условия для постоянных клиентов.
- Подбор аналогов.
- Поставку компонентов в любых объемах, удовлетворяющих вашим потребностям.
- Приемлемые сроки поставки, возможна ускоренная поставка.
- Доставку товара в любую точку России и стран СНГ.
- Комплексную поставку.
- Работу по проектам и поставку образцов.
- Формирование склада под заказчика.
- Сертификаты соответствия на поставляемую продукцию (по желанию клиента).
- Тестирование поставляемой продукции.
- Поставку компонентов, требующих военную и космическую приемку.
- Входной контроль качества.
- Наличие сертификата ISO.

В составе нашей компании организован Конструкторский отдел, призванный помогать разработчикам, и инженерам.

Конструкторский отдел помогает осуществить:

- Регистрацию проекта у производителя компонентов.
- Техническую поддержку проекта.
- Защиту от снятия компонента с производства.
- Оценку стоимости проекта по компонентам.
- Изготовление тестовой платы монтаж и пусконаладочные работы.



Тел: +7 (812) 336 43 04 (многоканальный)

Email: org@lifeelectronics.ru