

THIS DRAWING IS UNPUBLISHED. RELEASED FOR PUBLICATION SEP ,2005.
 © COPYRIGHT 2005 By - ALL RIGHTS RESERVED.

| LOC | DIST | REVISIONS 変更 | | | | | |
|-----|------|-----------------|-----|---------------------------|---------|-----|------|
| J | / | P | LTR | DESCRIPTION | DATE | DWN | APVD |
| | | | F3 | REVISED PER ECO-11-005033 | 24MAR11 | RK | HMR |

NOTICE: THIS COMMUNICATION INCLUDES TE CONNECTIVITY CONFIDENTIAL OR PROPRIETARY INFORMATION THAT MAY ALSO BE LEGALLY PRIVILEGED.

| | | | | | | | | | | | | | | |
|---------------|-------------|----------------------------------|------|-----------|-----|-------|-------|-------|-----|-----|--------------|----------------------------------|-----------------------------------|-------------|
| AVAILABLE | WITHOUT P/N | Au 0.1um MIN OVER PdNi 0.2um MIN | - | - | 0.5 | 10.55 | - | - | 1.1 | 1.1 | WITHOUT BOSS | EMBOSS PACKING (SEE SHEET 2) | WITHOUT FLANGE TYPE (SEE SHEET 6) | 9-1747981-2 |
| AVAILABLE | WITH P/N | Au 0.1um MIN OVER PdNi 0.2um MIN | - | M3 x 0.5 | 1.0 | 10.55 | 12.75 | 10.08 | 2.2 | 1.8 | WITH BOSS | SOFT TRAY PACKING (SEE SHEET 4) | WITH FLANGE TYPE (SEE SHEET 7) | 9-1747981-1 |
| AVAILABLE | WITHOUT P/N | Au 0.1um MIN OVER PdNi 0.2um MIN | - | M3 x 0.5 | 0.5 | 10.05 | 10.95 | 7.98 | 2.2 | 1.8 | WITHOUT BOSS | CLEAR TRAY PACKING (SEE SHEET 4) | WITH FLANGE TYPE (SEE SHEET 7) | 8-1747981-1 |
| AVAILABLE | WITHOUT P/N | Au 0.1um MIN OVER PdNi 0.2um MIN | - | M3 x 0.5 | 1.0 | 10.55 | 12.75 | 10.08 | 2.2 | 1.8 | WITH BOSS | SOFT TRAY PACKING (SEE SHEET 4) | WITH FLANGE TYPE (SEE SHEET 7) | 3-1747981-1 |
| NOT AVAILABLE | WITHOUT P/N | Au 0.1um MIN OVER PdNi 0.2um MIN | 16.3 | #4-40 UNC | 0.5 | 10.55 | 12.75 | 10.08 | 2.2 | 1.8 | WITH BOSS | EMBOSS PACKING (SEE SHEET 3) | WITH FLANGE TYPE (SEE SHEET 7) | 2-1747981-4 |
| AVAILABLE | WITHOUT P/N | Au 0.76um MIN | 16.3 | M3 x 0.5 | 1.0 | 10.55 | 12.75 | 10.08 | 2.2 | 1.8 | WITHOUT BOSS | EMBOSS PACKING (SEE SHEET 3) | WITH FLANGE TYPE (SEE SHEET 7) | 2-1747981-3 |
| NOT AVAILABLE | WITHOUT P/N | Au 0.1um MIN OVER PdNi 0.2um MIN | - | #4-40 UNC | 0.5 | 10.05 | 12.75 | 10.08 | 2.2 | 1.8 | WITHOUT BOSS | HARDTRAY PACKING (-) | WITH FLANGE TYPE (SEE SHEET 7) | 2-1747981-2 |
| AVAILABLE | WITHOUT P/N | Au 0.76um MIN | - | M3 x 0.5 | 1.0 | 10.55 | 12.75 | 10.08 | 2.2 | 1.8 | WITHOUT BOSS | SOFT TRAY PACKING (SEE SHEET 4) | WITH FLANGE TYPE (SEE SHEET 7) | 2-1747981-1 |
| AVAILABLE | WITHOUT P/N | Au 0.1um MIN OVER PdNi 0.2um MIN | - | M3 x 0.5 | 1.0 | 10.55 | 12.75 | 10.08 | 1.5 | 1.5 | WITHOUT BOSS | SOFT TRAY PACKING (SEE SHEET 4) | WITH FLANGE TYPE (SEE SHEET 7) | 1-1747981-8 |
| AVAILABLE | WITHOUT P/N | Au 0.1um MIN OVER PdNi 0.2um MIN | 16.3 | M3 x 0.5 | 1.0 | 10.55 | 12.75 | 10.08 | 2.2 | 1.8 | WITHOUT BOSS | EMBOSS PACKING (SEE SHEET 3) | WITH FLANGE TYPE (SEE SHEET 7) | 1-1747981-7 |
| AVAILABLE | WITHOUT P/N | Au 0.1um MIN OVER PdNi 0.2um MIN | - | M3 x 0.5 | 0.5 | 10.05 | 10.95 | 7.98 | 2.2 | 1.8 | WITHOUT BOSS | SOFT TRAY PACKING (SEE SHEET 5) | WITH FLANGE TYPE (SEE SHEET 7) | 1-1747981-6 |
| AVAILABLE | WITHOUT P/N | Au 0.1um MIN OVER PdNi 0.2um MIN | 14.3 | M3 x 0.5 | 0.5 | 10.05 | 10.95 | 7.98 | 1.5 | 1.5 | WITHOUT BOSS | EMBOSS PACKING (SEE SHEET 3) | WITH FLANGE TYPE (SEE SHEET 7) | 1-1747981-5 |
| AVAILABLE | WITHOUT P/N | Au 0.1um MIN OVER PdNi 0.2um MIN | - | M3 x 0.5 | 1.0 | 10.55 | 12.75 | 10.08 | 2.2 | 1.8 | WITHOUT BOSS | SOFT TRAY PACKING (SEE SHEET 4) | WITH FLANGE TYPE (SEE SHEET 7) | 1-1747981-4 |
| AVAILABLE | WITHOUT P/N | Au 0.1um MIN OVER PdNi 0.2um MIN | - | #4-40 UNC | 0.5 | 10.05 | 12.75 | 10.08 | 2.2 | 1.8 | WITHOUT BOSS | SOFT TRAY PACKING (SEE SHEET 4) | WITH FLANGE TYPE (SEE SHEET 7) | 1-1747981-3 |
| AVAILABLE | WITHOUT P/N | Au 0.1um MIN OVER PdNi 0.2um MIN | - | M3 x 0.5 | 0.5 | 10.05 | 10.95 | 7.98 | 1.5 | 1.5 | WITHOUT BOSS | SOFT TRAY PACKING (SEE SHEET 4) | WITH FLANGE TYPE (SEE SHEET 7) | 1-1747981-2 |
| AVAILABLE | WITHOUT P/N | Au 0.1um MIN OVER PdNi 0.2um MIN | - | M3 x 0.5 | 0.5 | 10.05 | 10.95 | 7.98 | 2.2 | 1.8 | WITHOUT BOSS | SOFT TRAY PACKING (SEE SHEET 4) | WITH FLANGE TYPE (SEE SHEET 7) | 1-1747981-1 |
| AVAILABLE | WITHOUT P/N | Au 0.1um MIN OVER PdNi 0.2um MIN | - | - | 0.5 | 10.05 | - | - | 1.5 | 1.5 | WITHOUT BOSS | EMBOSS PACKING (SEE SHEET 2) | WITHOUT FLANGE TYPE (SEE SHEET 6) | 1747981-2 |
| AVAILABLE | WITHOUT P/N | Au 0.1um MIN OVER PdNi 0.2um MIN | - | - | 0.5 | 10.05 | - | - | 2.2 | 1.8 | WITHOUT BOSS | EMBOSS PACKING (SEE SHEET 2) | WITHOUT FLANGE TYPE (SEE SHEET 6) | 1747981-1 |

| TOOL STATUS | PART NUMBER MARKING | CONTACT AREA PLATING SPEC | CONTACT AREA | DIM H | SCREW SIZE DIM G | DIM F | DIM E | DIM D | DIM C | DIM B | DIM A | BOSS | PACKING | CONNECTOR TYPE | PART NUMBER |
|-------------|---------------------|---------------------------|--------------|-------|------------------|-------|-------|-------|-------|-------|-------|------|---------|----------------|-------------|
|-------------|---------------------|---------------------------|--------------|-------|------------------|-------|-------|-------|-------|-------|-------|------|---------|----------------|-------------|

1 CONTACT COPLANALITY IS 0.1 MAXIMUM.
 THIS DIMENSION MEANS CENTER OF THE POCKET.
 FINISH
 CONTACT: CONTACT AREA J: SEE TABLE
 2um MIN Sn PLATING ON SOLDERING AREA
 2um MIN Ni UNDER PLATING ALL OVER
 SHELL: 1um MIN Sn PLATING ALL OVER
 1um MIN Ni UNDER PLATING ALL OVER

REFER TO THE TABLE FOR BOSS.
 SCREW SIZE
 PART NUMBER MAKING

THIS DRAWING IS A CONTROLLED DOCUMENT.

| | | |
|------|-----------|-----------|
| DWN | Y.HIRATA | 15SEP2005 |
| CHK | T.KIMURA | 15SEP2005 |
| APVD | K.IKEGAMI | 15SEP2005 |

NAME: K.IKEGAMI
 PRODUCT SPEC: 108-78180-1
 APPLICATION SPEC: 取付適用規格

STE TE Connectivity
 HDMI 19 POS RECEPTACLE ASSY SMT TYPE -LEAD FREE-

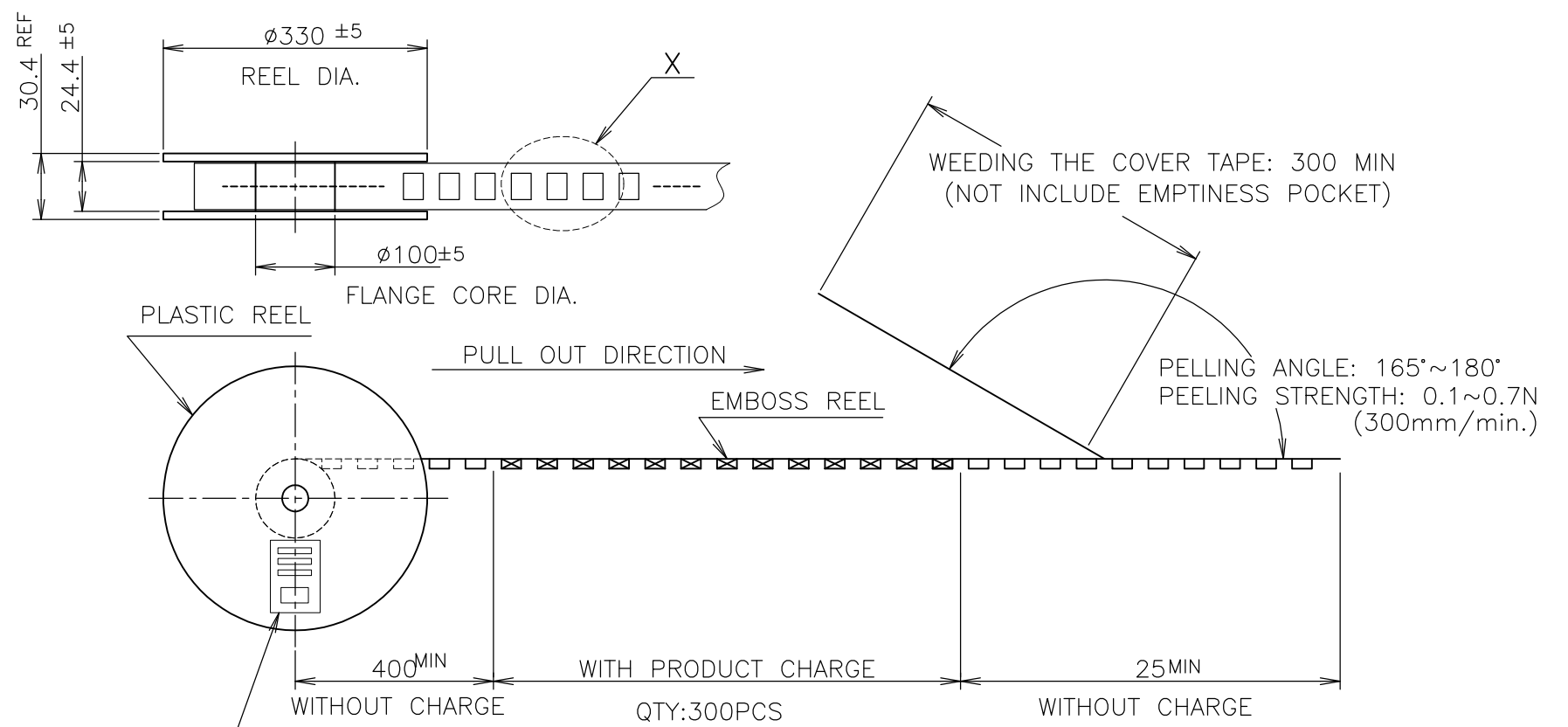
| | | | |
|------|-----------|------------|---------------|
| SIZE | CAGE CODE | DRAWING NO | RESTRICTED TO |
| A3 | 00779 | C-1747981 | - |

CUSTOMER DRAWING
 SCALE: 1:1 NTS
 SHEET: 1 OF 8
 REV: F3

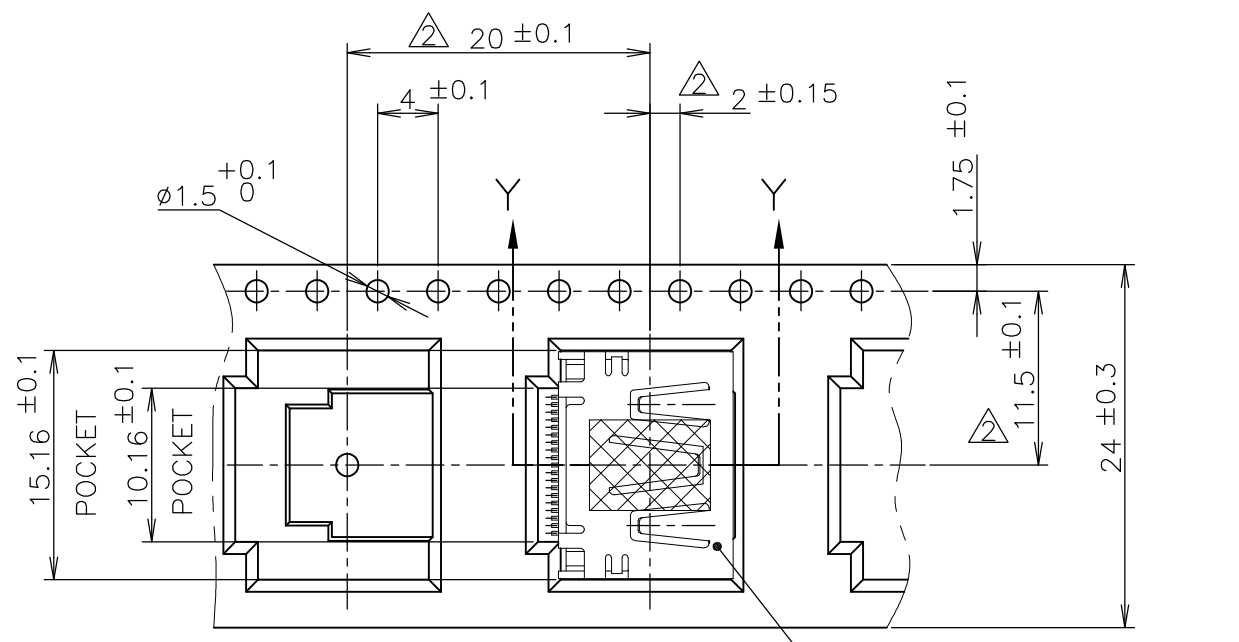
THIS DRAWING IS UNPUBLISHED. RELEASED FOR PUBLICATION SEP ,2005.
 © COPYRIGHT 2005 By - ALL RIGHTS RESERVED.

| LOC | DIST | REVISIONS | | | | | |
|-----|------|-----------|-----|-------------|------|-----|------|
| J | / | P | LTR | DESCRIPTION | DATE | DWN | APVD |
| | | - | | SEE SHEET 1 | - | - | - |

NOTICE: THIS COMMUNICATION INCLUDES TE CONNECTIVITY CONFIDENTIAL OR PROPRIETARY INFORMATION THAT MAY ALSO BE LEGALLY PRIVILEGED.

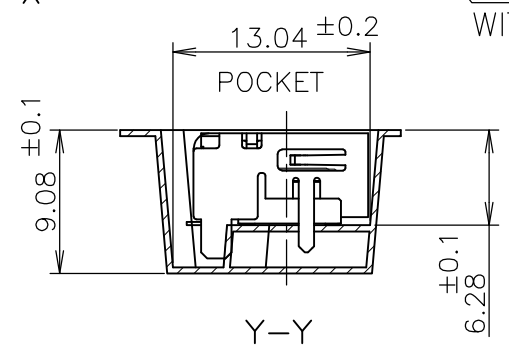


TE CONNECTIVITY P/N.: 1747981-*
 QTY: 300 pcs
 D/C:
 MADE IN CHINA



DETAIL X

CONNECTOR WITHOUT FLANGE TYPE



Y-Y

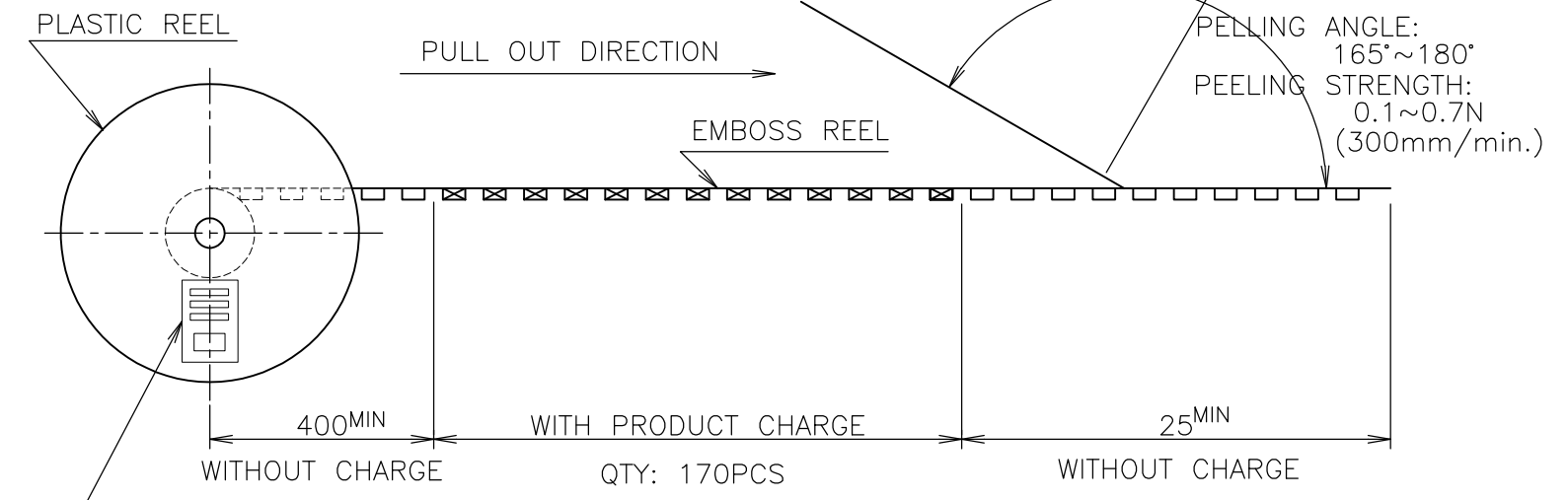
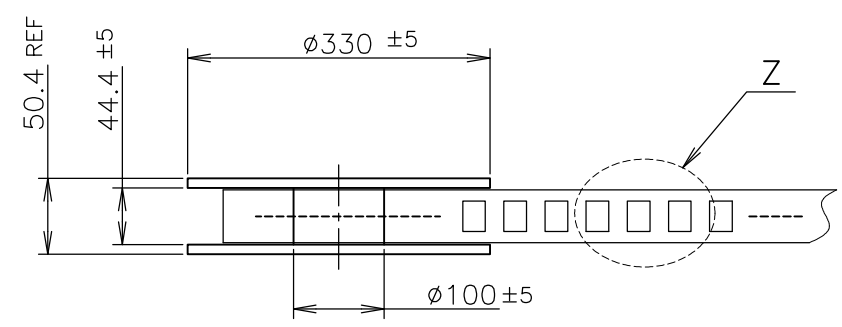
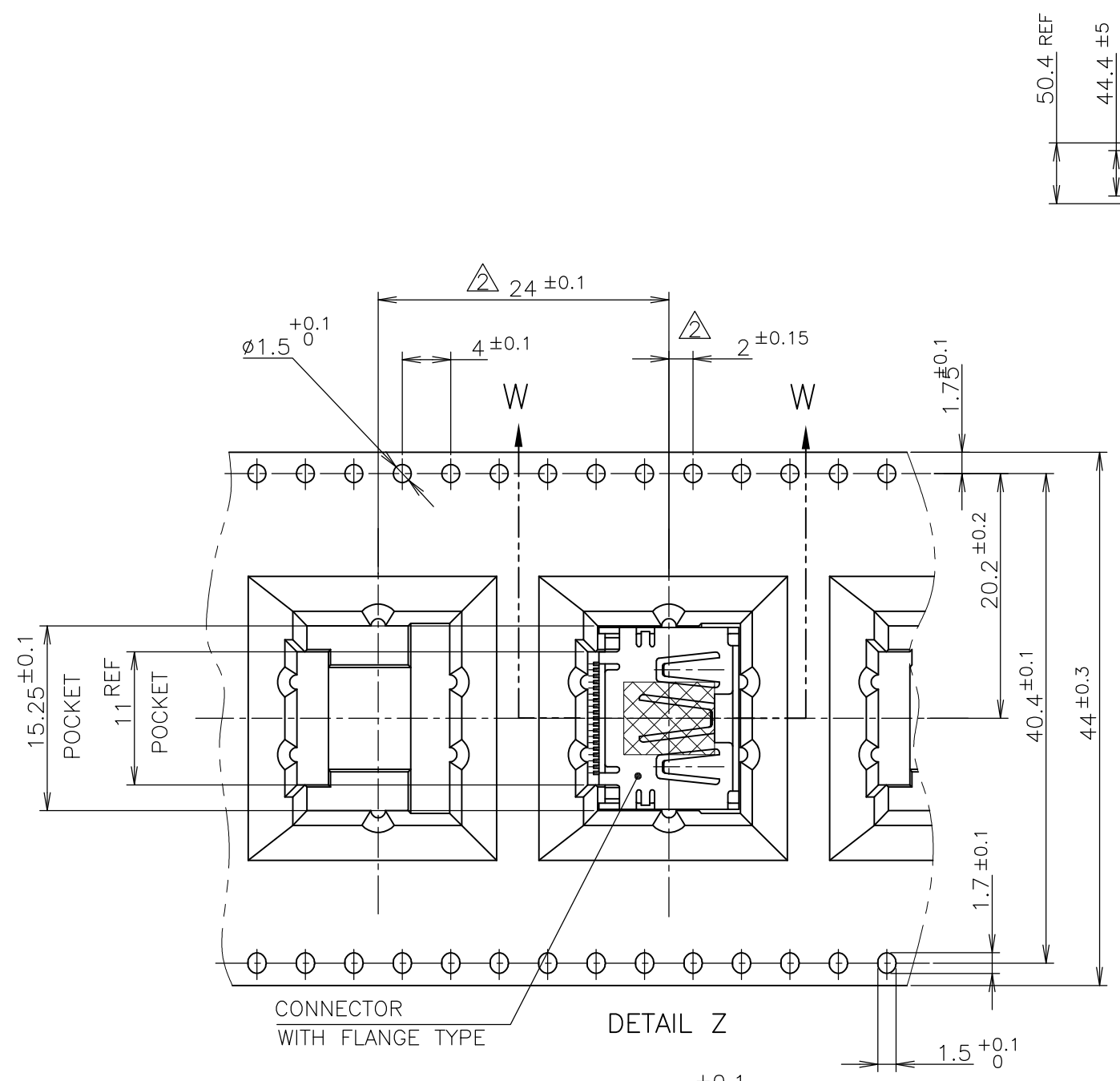
| 300 | WITHOUT FLANGE TYPE | 9-1747981-2 |
|-----|---------------------|-------------|
| 300 | WITHOUT FLANGE TYPE | 1747981-2 |
| 300 | WITHOUT FLANGE TYPE | 1747981-1 |
| QTY | CONNECTOR TYPE | PART NUMBER |

| | | | | | |
|---|--|-------------------------|-----------|----------------------------|---------------|
| THIS DRAWING IS A CONTROLLED DOCUMENT. | | DWN | | STE TE Connectivity | |
| DIMENSIONS: 單位: 耗 mm | | CHK | | | |
| TOLERANCES UNLESS OTHERWISE SPECIFIED: 一般公差 | | APVD | | NAME 名稱 | |
| 0 PLC ± 0.2 | | PRODUCT SPEC 製品規格 | | HDMI 19 POS | |
| 1 PLC ± 0.2 | | 108-78180-1 | | RECEPTACLE ASSY SMT TYPE | |
| 2 PLC ± 0.2 | | APPLICATION SPEC 取付適用規格 | | -LEAD FREE- | |
| 3 PLC ± 0.2 | | SIZE | CAGE CODE | DRAWING NO 番号 | RESTRICTED TO |
| 4 PLC ± 0.2 | | A3 | 00779 | C-1747981 | - |
| ANGLES ± - | | WEIGHT | | SCALE 尺度 | SHEET 2 OF 8 |
| MATERIAL 材料 | | FINISH 仕上 | | REV F3 | |
| CUSTOMER DRAWING | | | | | |

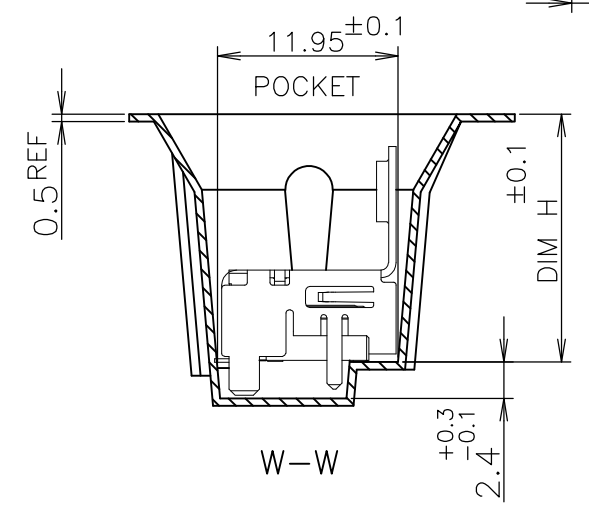
THIS DRAWING IS UNPUBLISHED. RELEASED FOR PUBLICATION SEP, 2005.
 © COPYRIGHT 2005 By - ALL RIGHTS RESERVED.

| LOC | DIST | REVISIONS | | | | | |
|-----|------|-----------|-----|-------------|------|-----|------|
| J | / | P | LTR | DESCRIPTION | DATE | DWN | APVD |
| | | - | | SEE SHEET 1 | - | - | - |

NOTICE: THIS COMMUNICATION INCLUDES TE CONNECTIVITY CONFIDENTIAL OR PROPRIETARY INFORMATION THAT MAY ALSO BE LEGALLY PRIVILEGED.



TE CONNECTIVITY P/N.: *-1747981-*
 QTY: 170 pcs
 D/C:
 MADE IN CHINA

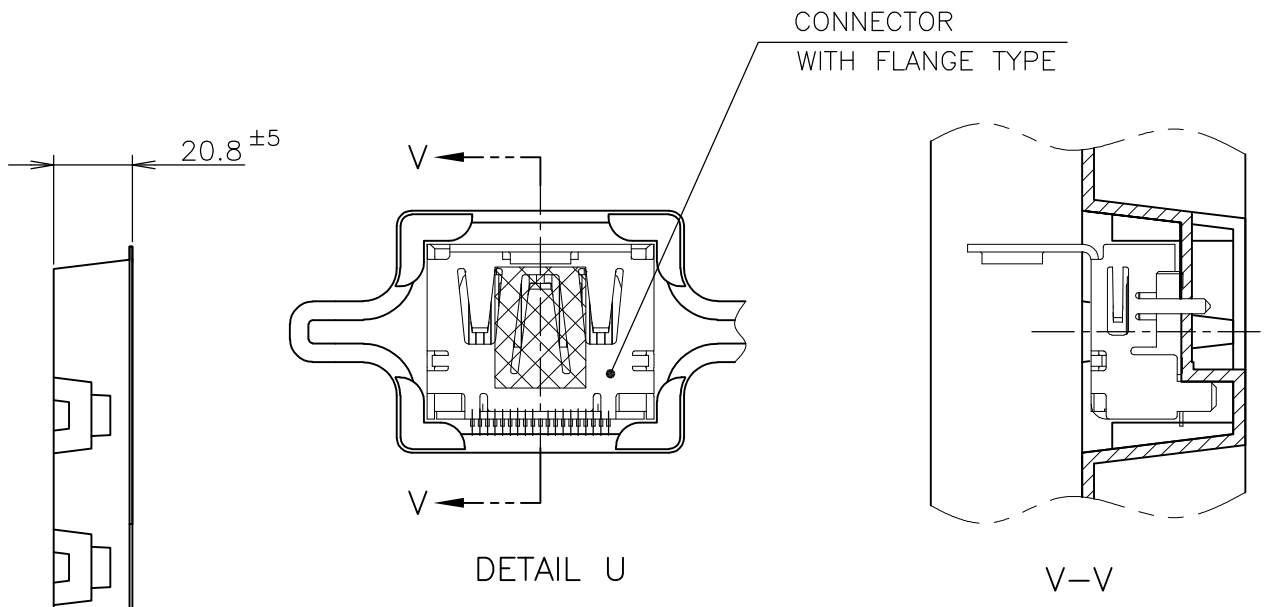
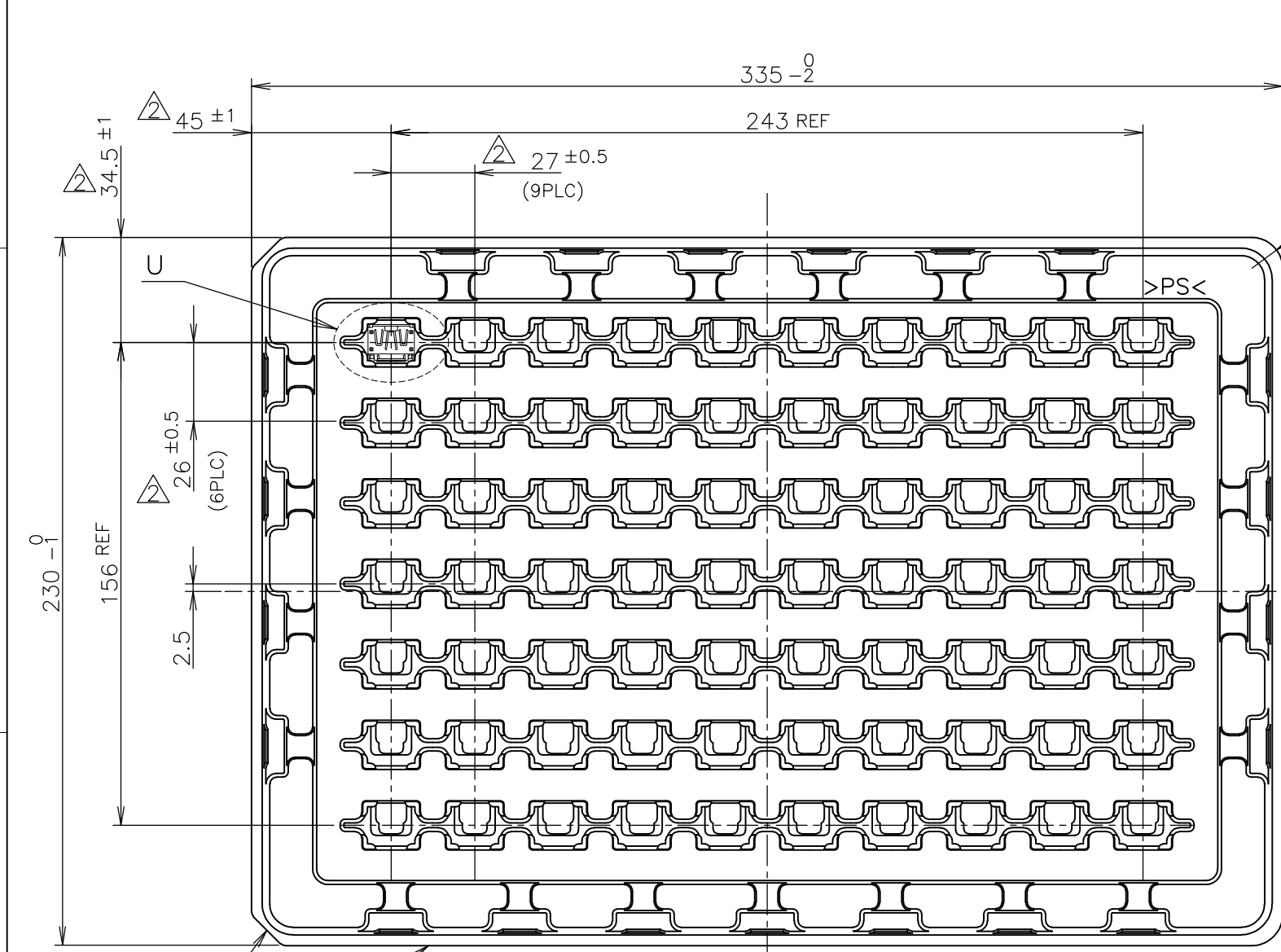


| | | |
|-----|------------------|-------------|
| 170 | WITH FLANGE TYPE | 2-1747981-4 |
| 170 | WITH FLANGE TYPE | 2-1747981-3 |
| 170 | WITH FLANGE TYPE | 1-1747981-7 |
| 170 | WITH FLANGE TYPE | 1-1747981-5 |
| QTY | CONNECTOR TYPE | PART NUMBER |

| | | | | | |
|---|--|-------------------------|--|----------------------------|--|
| THIS DRAWING IS A CONTROLLED DOCUMENT. | | DWN | | STE TE Connectivity | |
| DIMENSIONS: 单位: 耗 mm | | CHK | | | |
| TOLERANCES UNLESS OTHERWISE SPECIFIED: 一般公差 | | APVD | | NAME 名称 | |
| 0 PLC ± 0.2 | | PRODUCT SPEC 製品規格 | | HDMI 19 POS | |
| 1 PLC ± 0.2 | | 108-78180-1 | | RECEPTACLE ASSY SMT TYPE | |
| 2 PLC ± 0.2 | | APPLICATION SPEC 取付適用規格 | | -LEAD FREE- | |
| 3 PLC ± 0.2 | | WEIGHT | | SIZE | |
| 4 PLC ± 0.2 | | CUSTOMER DRAWING | | CAGE CODE | |
| ANGLES \pm | | SCALE 尺度 NTS | | DRAWING NO 番号 | |
| FINISH 仕上 | | SHEET 3 OF 8 | | RESTRICTED TO | |
| | | REV F3 | | | |

THIS DRAWING IS UNPUBLISHED. RELEASED FOR PUBLICATION SEP , 2005.
 © COPYRIGHT 2005 By - ALL RIGHTS RESERVED.

| LOC | DIST | REVISIONS | | | | | |
|-----|------|-----------|-----|-------------|------|-----|------|
| J | / | P | LTR | DESCRIPTION | DATE | DWN | APVD |
| | | - | | SEE SHEET 1 | - | - | - |



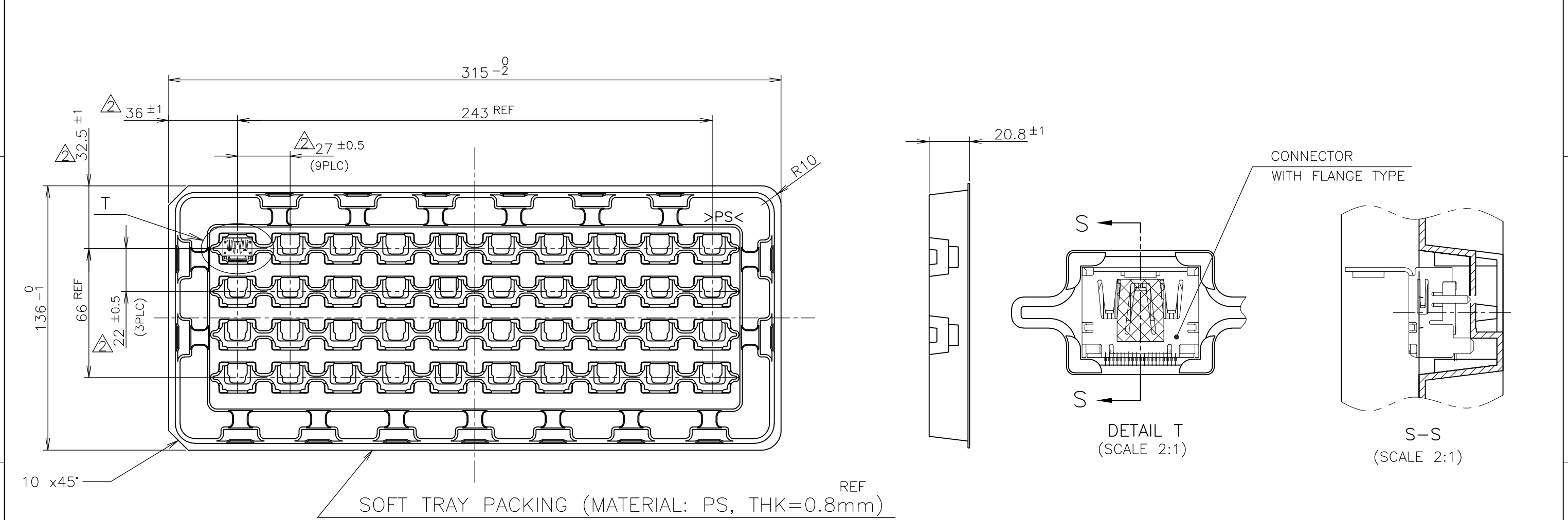
| 70 | WITH FLANGE TYPE | 9-1747981-1 |
|-----|------------------|-------------|
| 70 | WITH FLANGE TYPE | 8-1747981-1 |
| 70 | WITH FLANGE TYPE | 3-1747981-1 |
| 70 | WITH FLANGE TYPE | 2-1747981-1 |
| 70 | WITH FLANGE TYPE | 1-1747981-8 |
| 70 | WITH FLANGE TYPE | 1-1747981-4 |
| 70 | WITH FLANGE TYPE | 1-1747981-3 |
| 70 | WITH FLANGE TYPE | 1-1747981-2 |
| 70 | WITH FLANGE TYPE | 1-1747981-1 |
| QTY | CONNECTOR TYPE | PART NUMBER |

NOTICE: THIS COMMUNICATION INCLUDES TE CONNECTIVITY CONFIDENTIAL OR PROPRIETARY INFORMATION THAT MAY ALSO BE LEGALLY PRIVILEGED.

| | | | | | |
|---|--|-------------------------|--|------------------------------|--|
| THIS DRAWING IS A CONTROLLED DOCUMENT. | | DWN | | STE TE Connectivity | |
| DIMENSIONS: 单位: 耗 mm | | CHK | | | |
| TOLERANCES UNLESS OTHERWISE SPECIFIED: 一般公差 | | APVD | | NAME 名称 | |
| 0 PLC ± 0.2 | | PRODUCT SPEC 製品規格 | | HDMI 19 POS | |
| 1 PLC ± 0.2 | | APPLICATION SPEC 取付適用規格 | | RECEPTACLE ASSY SMT TYPE | |
| 2 PLC ± 0.2 ± 0.3 | | WEIGHT | | -LEAD FREE- | |
| 3 PLC ± 0.2 | | CUSTOMER DRAWING | | SIZE CAGE CODE DRAWING NO 番号 | |
| 4 PLC ± 0.2 | | SCALE 尺度 NTS | | A3 00779 C-1747981 | |
| ANGLES ± - | | SHEET 4 OF 8 | | RESTRICTED TO | |
| FINISH 仕上 | | REV F3 | | | |

THIS DRAWING IS UNPUBLISHED. RELEASED FOR PUBLICATION SEP , 2005.
 © COPYRIGHT 2005 By - ALL RIGHTS RESERVED.

| LOC | DIST | REVISIONS | | | | | |
|-----|------|-----------|-----|-------------|------|-----|------|
| J | / | P | LTR | DESCRIPTION | DATE | DWN | APVD |
| | | - | | SEE SHEET 1 | - | - | - |



NOTICE: THIS COMMUNICATION INCLUDES TE CONNECTIVITY CONFIDENTIAL OR PROPRIETARY INFORMATION THAT MAY ALSO BE LEGALLY PRIVILEGED.

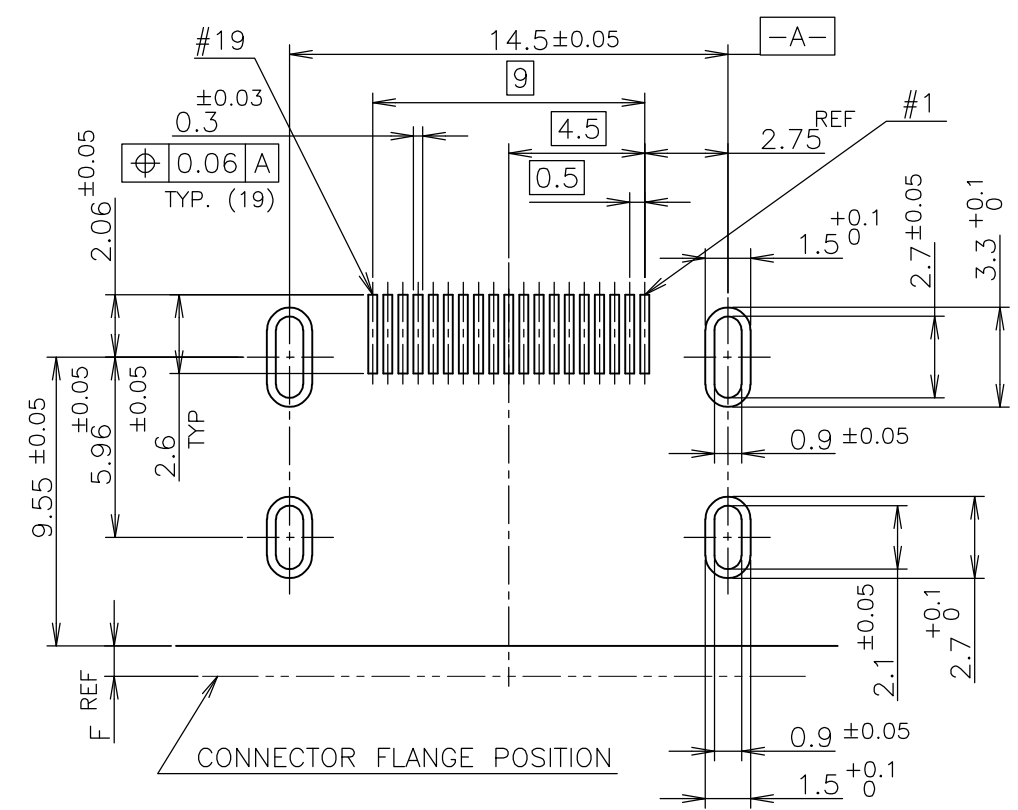
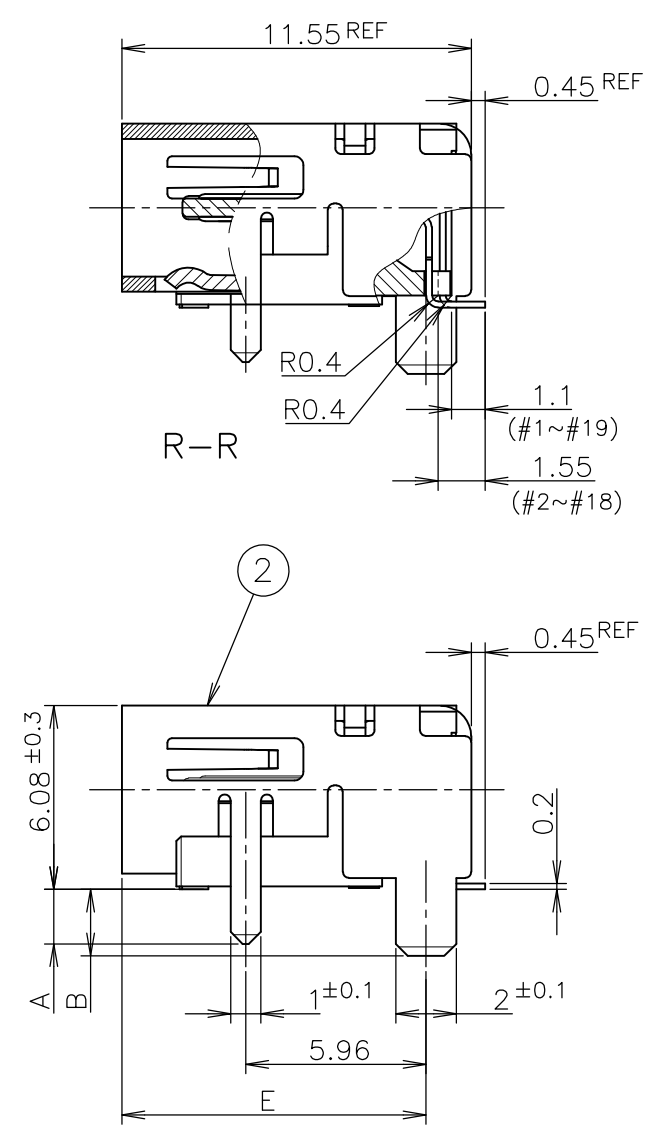
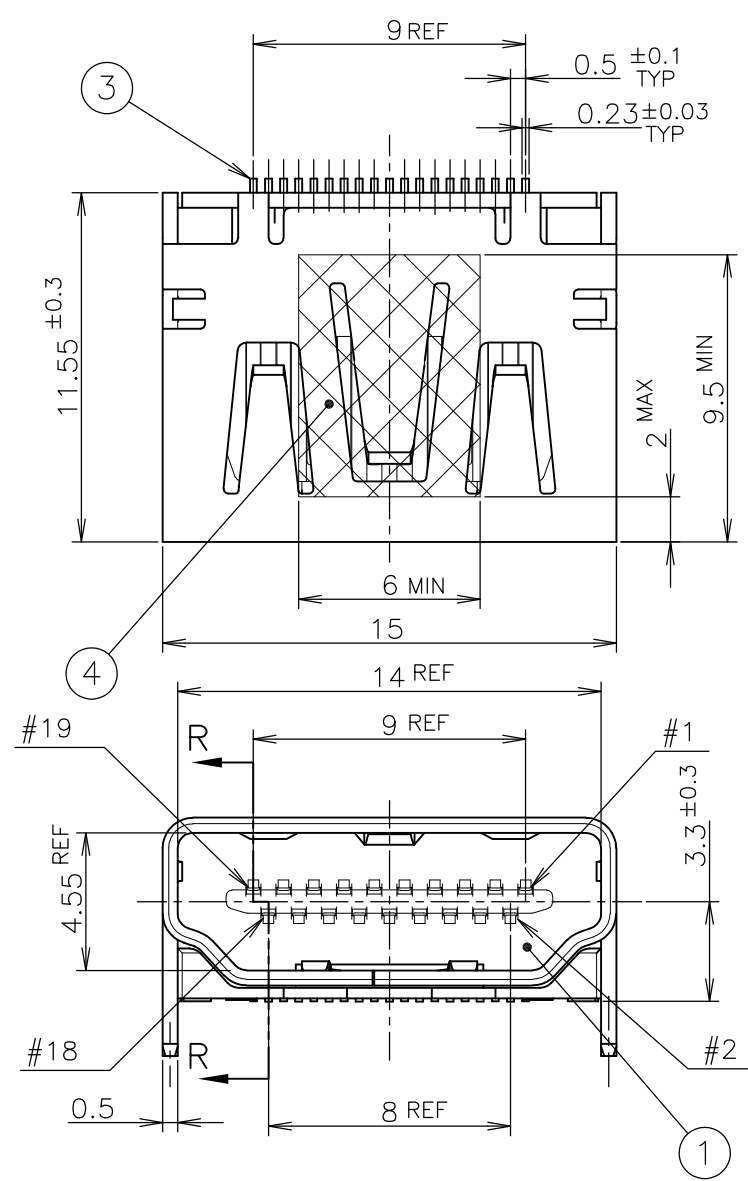
THIS DRAWING IS A CONTROLLED DOCUMENT.

| | |
|----------------------------|---|
| DIMENSIONS: 単位: 耗 mm | TOLERANCES UNLESS OTHERWISE SPECIFIED: 一般公差 |
| | 0 PLC ±0.2 1 PLC ±0.2 2 PLC ±0.2 3 PLC ±0.2 4 PLC ±0.2 ANGLES ±- |
| MATERIAL 材料 | FINISH 仕上 |

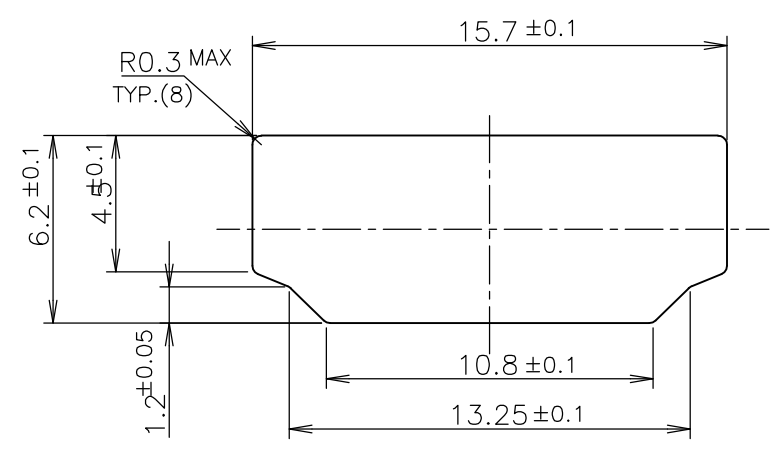
| | | |
|----------------------------|--|--------------------|
| 40 | WITH FLANGE TYPE | 1-1747981-6 |
| QTY | CONNECTOR TYPE | PART NUMBER |
| DWN | STE TE Connectivity | |
| CHK | | |
| APVD | NAME 名称 | |
| PRODUCT SPEC 製品規格 | HDMI 19 POS RECEPTACLE ASSY SMT TYPE -LEAD FREE- | |
| APPLICATION SPEC 取付適用規格 | 108-78180-1 | |
| WEIGHT | SIZE A3 | CAGE CODE 00779 |
| CUSTOMER DRAWING | DRAWING NO 番号 C-1747981 | RESTRICTED TO - |
| | SCALE 尺度 NTS | SHEET 5 OF 8 |
| | | REV F3 |

THIS DRAWING IS UNPUBLISHED. RELEASED FOR PUBLICATION SEP, 2005.
 © COPYRIGHT 2005 By - ALL RIGHTS RESERVED.

| LOC | DIST | REVISIONS | | | DATE | DWN | APVD |
|-----|------|-----------|-----|-------------|------|-----|------|
| J | / | P | LTR | DESCRIPTION | | | |
| | | - | | SEE SHEET 1 | - | - | - |



P.C.B LAYOUT
 SHOWN AS CONNECTOR MOUNTING SIDE
 TOLERANCE: NON-CUMULATIVE
 (REFERENCE)



PANEL CUT OUT DIMENSION
 (REFERENCE)

CONNECTOR WITHOUT FLANGE TYPE

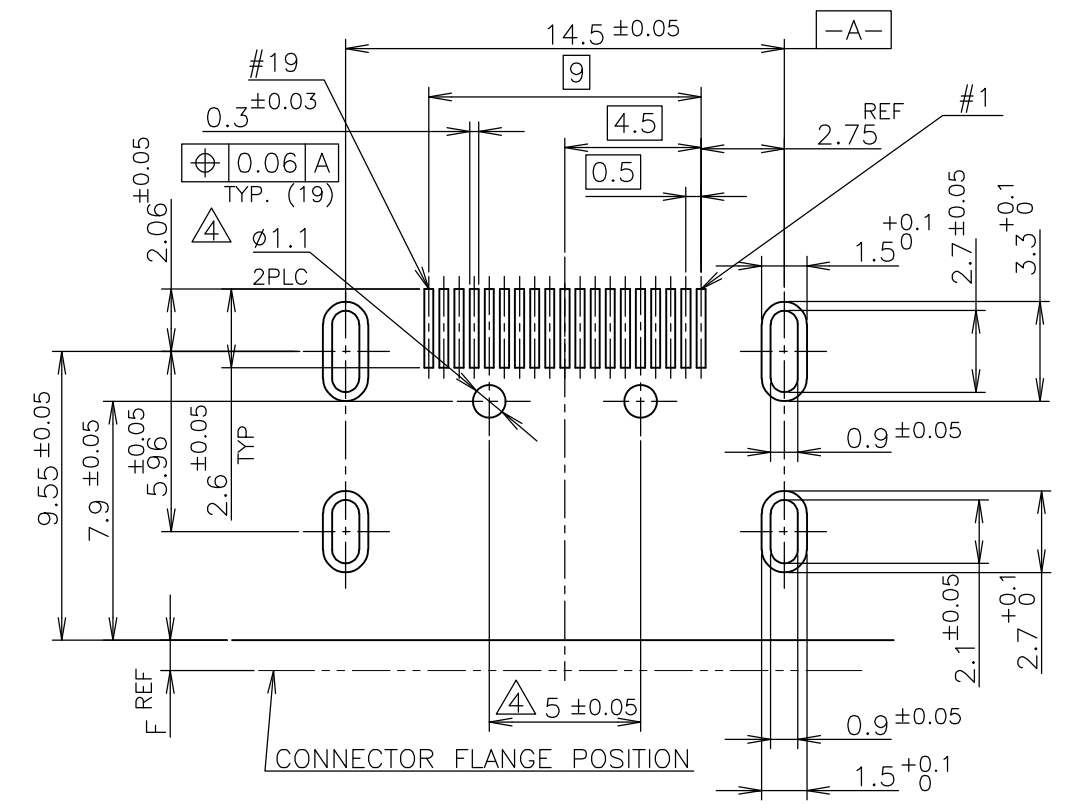
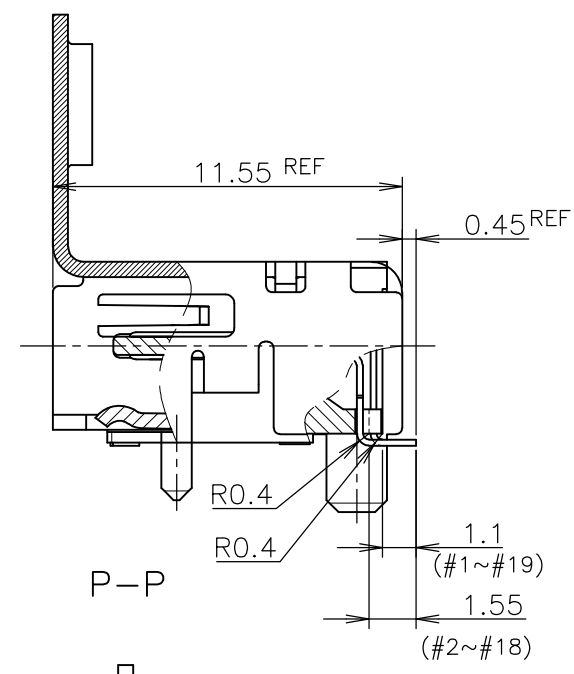
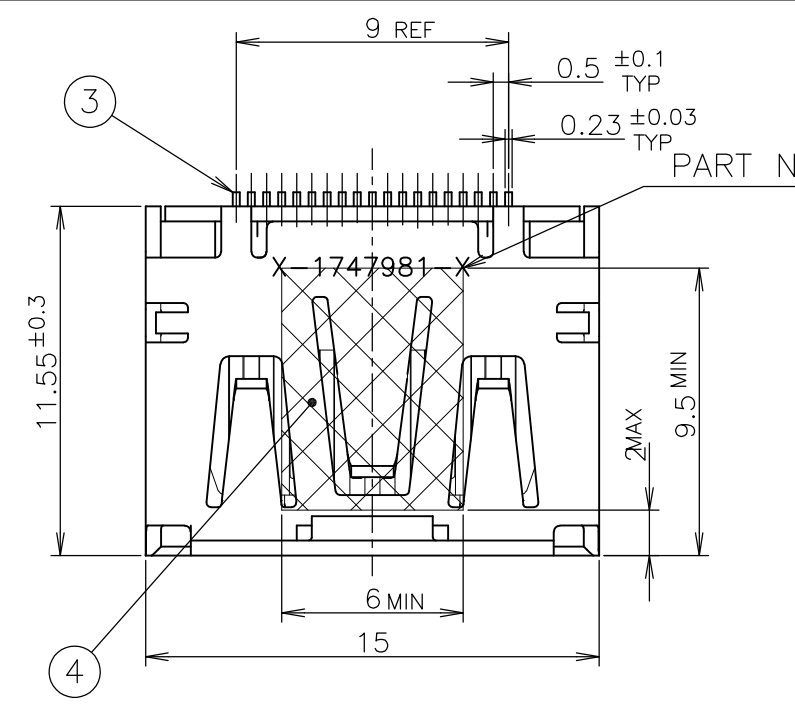
NOTICE: THIS COMMUNICATION INCLUDES TE CONNECTIVITY CONFIDENTIAL OR PROPRIETARY INFORMATION THAT MAY ALSO BE LEGALLY PRIVILEGED.

| FINISH | MATERIAL | QTY | DISCRIPTION | ITEM |
|--------|------------------------------------|-----|----------------|------|
| | POLYIMIDE | 1 | POLYIMIDE TAPE | ④ |
| | COPPER ALLOY | 19 | CONTACT | ③ |
| | COPPER ALLOY | 1 | SHELL | ② |
| | THERMOPLASTIC UL94V-0, BLACK COLOR | 1 | HOUSING | ① |

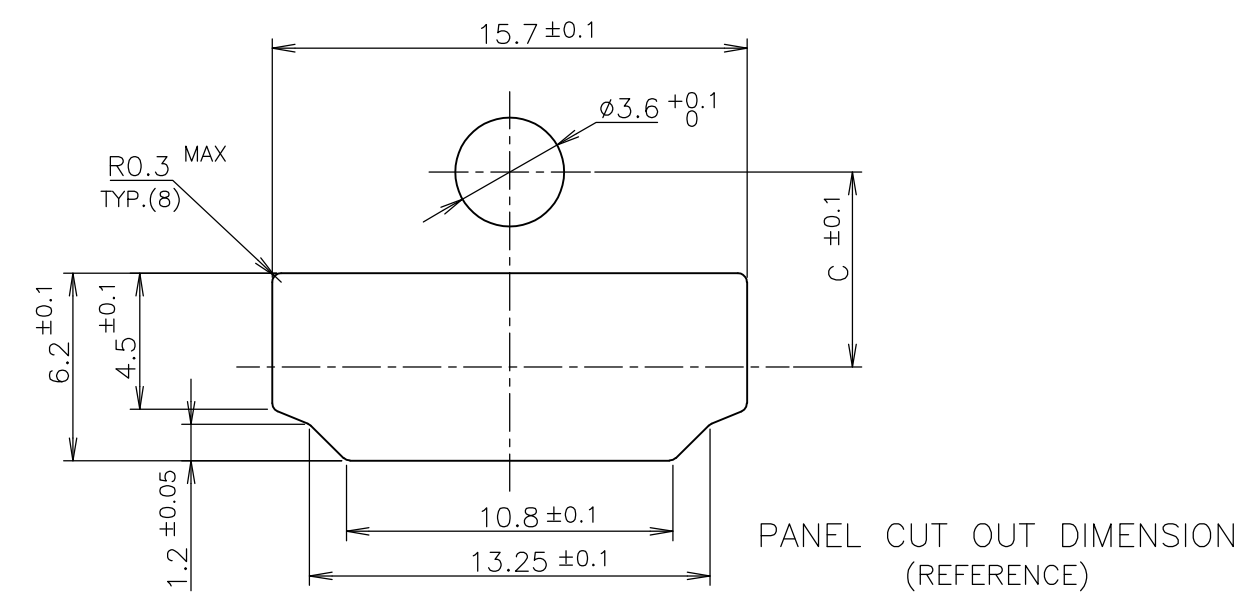
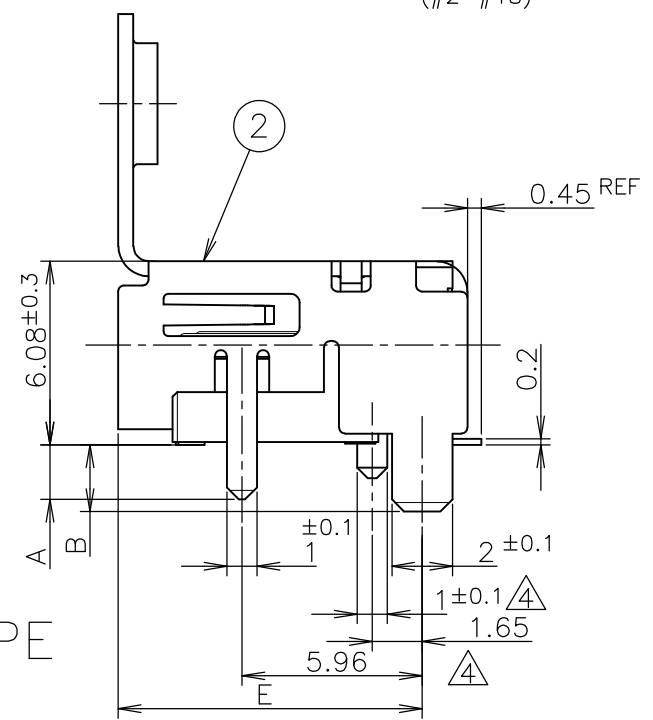
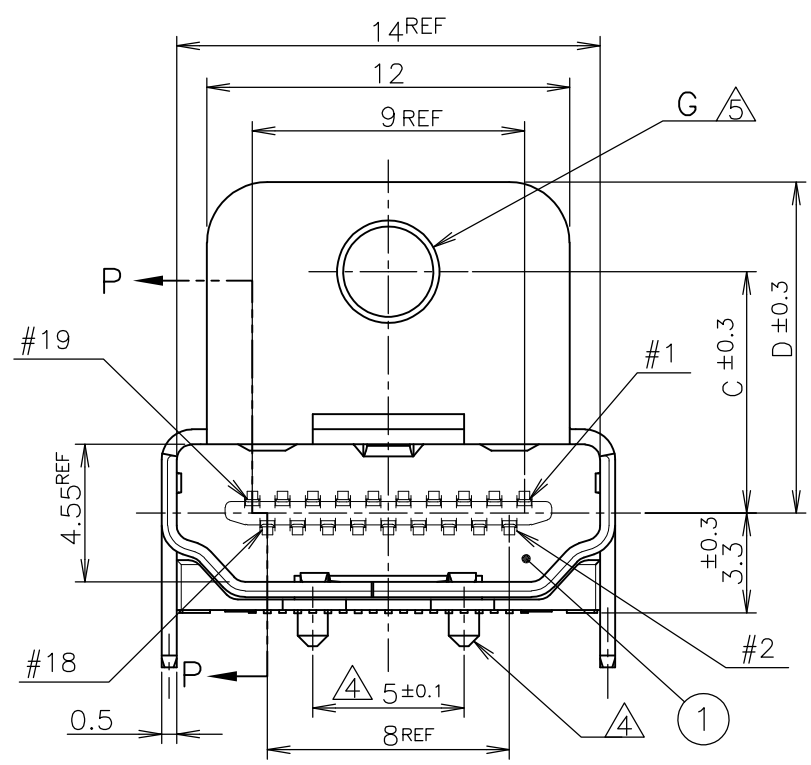
| | | | | | |
|---|--|-------------------------|----------------------------|--------------------------|---------------|
| THIS DRAWING IS A CONTROLLED DOCUMENT. | | DWN | STE TE Connectivity | | |
| DIMENSIONS: 單位: 耗 mm | | CHK | | | |
| TOLERANCES UNLESS OTHERWISE SPECIFIED: 一般公差 | | APVD | NAME 名稱 | | |
| 0 PLC ± 0.2 | | PRODUCT SPEC 製品規格 | | HDMI 19 POS | |
| 1 PLC ± 0.2 | | APPLICATION SPEC 取付適用規格 | | RECEPTACLE ASSY SMT TYPE | |
| 2 PLC ± 0.2 | | WEIGHT | | -LEAD FREE- | |
| 3 PLC ± 0.2 | | CUSTOMER DRAWING | | SIZE | CAGE CODE |
| 4 PLC ± 0.2 | | SCALE 尺度 4:1 | | DRAWING NO 番号 | RESTRICTED TO |
| ANGLES ± - | | SHEET 6 OF 8 | | REV F3 | |
| FINISH 仕上 | | A300779 | | G-1747981 | |

THIS DRAWING IS UNPUBLISHED. RELEASED FOR PUBLICATION SEP. 2005. ALL RIGHTS RESERVED.

| LOC | DIST | REVISIONS | | | | | |
|-----|------|-----------|-----|-------------|------|-----|------|
| J | | P | LTR | DESCRIPTION | DATE | DWN | APVD |
| | | - | | SEE SHEET 1 | - | - | - |



P.C.B LAYOUT SHOWN AS CONNECTOR MOUNTING SIDE TOLERANCE: NON-CUMULATIVE (REFERENCE)



CONNECTOR WITH FLANGE TYPE

NOTICE: THIS COMMUNICATION INCLUDES TE CONNECTIVITY CONFIDENTIAL OR PROPRIETARY INFORMATION THAT MAY ALSO BE LEGALLY PRIVILEGED.

| FINISH | MATERIAL | QTY | DISCRIPTION | ITEM |
|--------|------------------------------------|-----|----------------|------|
| | POLYIMIDE | 1 | POLYIMIDE TAPE | ④ |
| | COPPER ALLOY | 19 | CONTACT | ③ |
| | COPPER ALLOY | 1 | SHELL | ② |
| | THERMOPLASTIC UL94V-0, BLACK COLOR | 1 | HOUSING | ① |

THIS DRAWING IS A CONTROLLED DOCUMENT.

| DIMENSIONS: | TOLERANCES UNLESS OTHERWISE SPECIFIED: |
|-------------|--|
| 單位: 耗 mm | 一般公差 |
| | 0 PLC ± 0.2 |
| | 1 PLC ± 0.2 |
| | 2 PLC ± 0.2 |
| | 3 PLC ± 0.2 |
| | 4 PLC ± 0.2 |
| | ANGLES ± |
| MATERIAL 材料 | FINISH 仕上 |

| | | |
|------------------|--------|-------------|
| DWN | CHK | APVD |
| PRODUCT SPEC | 製品規格 | 108-78180-1 |
| APPLICATION SPEC | 取付適用規格 | |
| WEIGHT | | |

STE TE Connectivity

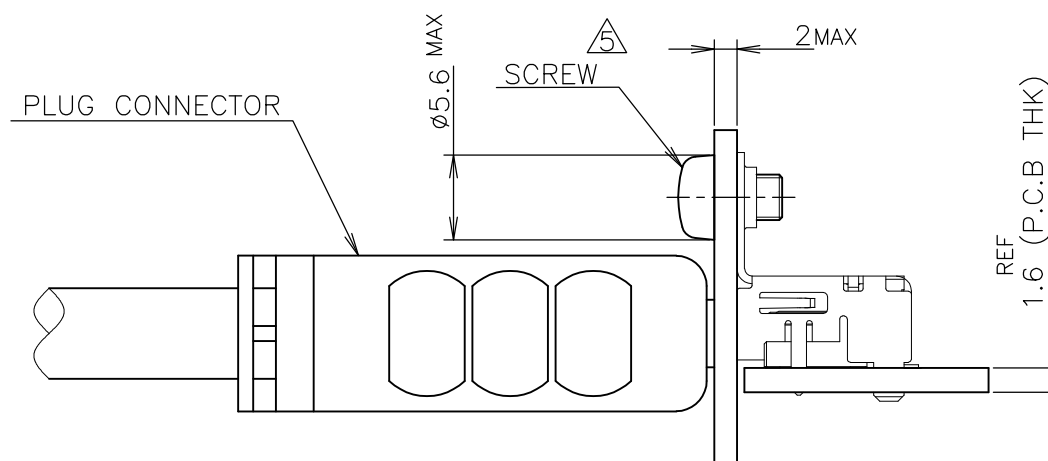
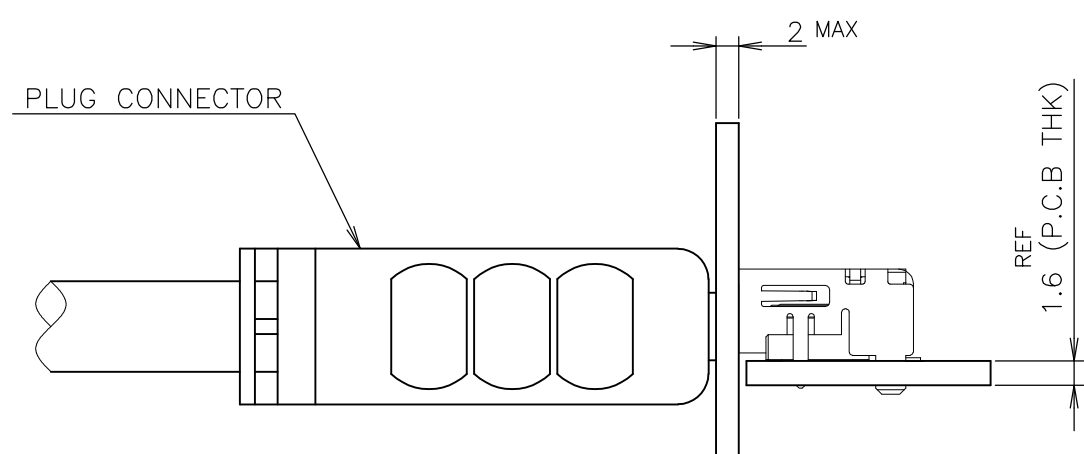
NAME 名称: HDMI 19 POS RECEPTACLE ASSY SMT TYPE -LEAD FREE-

SIZE: A3 CAGE CODE: 00779 DRAWING NO: C-1747981 RESTRICTED TO: -

CUSTOMER DRAWING SCALE: 尺度 NTS SHEET: 7 OF 8 REV: F3

| LOC | DIST | REVISIONS | | | DATE | DWN | APVD |
|-----|------|-----------|-----|-------------|------|-----|------|
| J | / | P | LTR | DESCRIPTION | | | |
| | | - | | SEE SHEET 1 | - | - | - |

NOTICE: THIS COMMUNICATION INCLUDES TE CONNECTIVITY CONFIDENTIAL OR PROPRIETARY INFORMATION THAT MAY ALSO BE LEGALLY PRIVILEGED.



MATING CONDITION (REFERENCE)
(SCALE 2:1)

| | | | | | |
|--|--|------------------|--|----------------------------|-----------------|
| THIS DRAWING IS A CONTROLLED DOCUMENT. | | DWN | | STE TE Connectivity | |
| DIMENSIONS: 単位: 耗 mm | | CHK | | | |
| TOLERANCES UNLESS OTHERWISE SPECIFIED: 一般公差 | | APVD | | NAME 名称 | |
| 0 PLC ± 0.2 | | PRODUCT SPEC | | HDMI 19 POS | |
| 1 PLC ± 0.2 | | 製品規格 | | RECEPTACLE ASSY SMT TYPE | |
| 2 PLC ± 0.2 | | 108-78180-1 | | -LEAD FREE- | |
| 3 PLC ± 0.2 | | APPLICATION SPEC | | SIZE | CAGE CODE |
| 4 PLC ± 0.2 | | 取付適用規格 | | A3 | 00779 |
| ANGLES ± - | | WEIGHT | | DRAWING NO | RESTRICTED TO |
| MATERIAL 材料 | | FINISH 仕上 | | G-1747981 | - |
| | | CUSTOMER DRAWING | | SCALE 尺度 2:1 | SHEET 8 OF 8 |
| | | | | REV F3 | |

Компания «Life Electronics» занимается поставками электронных компонентов импортного и отечественного производства от производителей и со складов крупных дистрибьюторов Европы, Америки и Азии.

С конца 2013 года компания активно расширяет линейку поставок компонентов по направлению коаксиальный кабель, кварцевые генераторы и конденсаторы (керамические, пленочные, электролитические), за счёт заключения дистрибьюторских договоров

Мы предлагаем:

- Конкурентоспособные цены и скидки постоянным клиентам.
- Специальные условия для постоянных клиентов.
- Подбор аналогов.
- Поставку компонентов в любых объемах, удовлетворяющих вашим потребностям.
- Приемлемые сроки поставки, возможна ускоренная поставка.
- Доставку товара в любую точку России и стран СНГ.
- Комплексную поставку.
- Работу по проектам и поставку образцов.
- Формирование склада под заказчика.
- Сертификаты соответствия на поставляемую продукцию (по желанию клиента).
- Тестирование поставляемой продукции.
- Поставку компонентов, требующих военную и космическую приемку.
- Входной контроль качества.
- Наличие сертификата ISO.

В составе нашей компании организован Конструкторский отдел, призванный помогать разработчикам, и инженерам.

Конструкторский отдел помогает осуществить:

- Регистрацию проекта у производителя компонентов.
- Техническую поддержку проекта.
- Защиту от снятия компонента с производства.
- Оценку стоимости проекта по компонентам.
- Изготовление тестовой платы монтаж и пусконаладочные работы.



Тел: +7 (812) 336 43 04 (многоканальный)

Email: org@lifeelectronics.ru