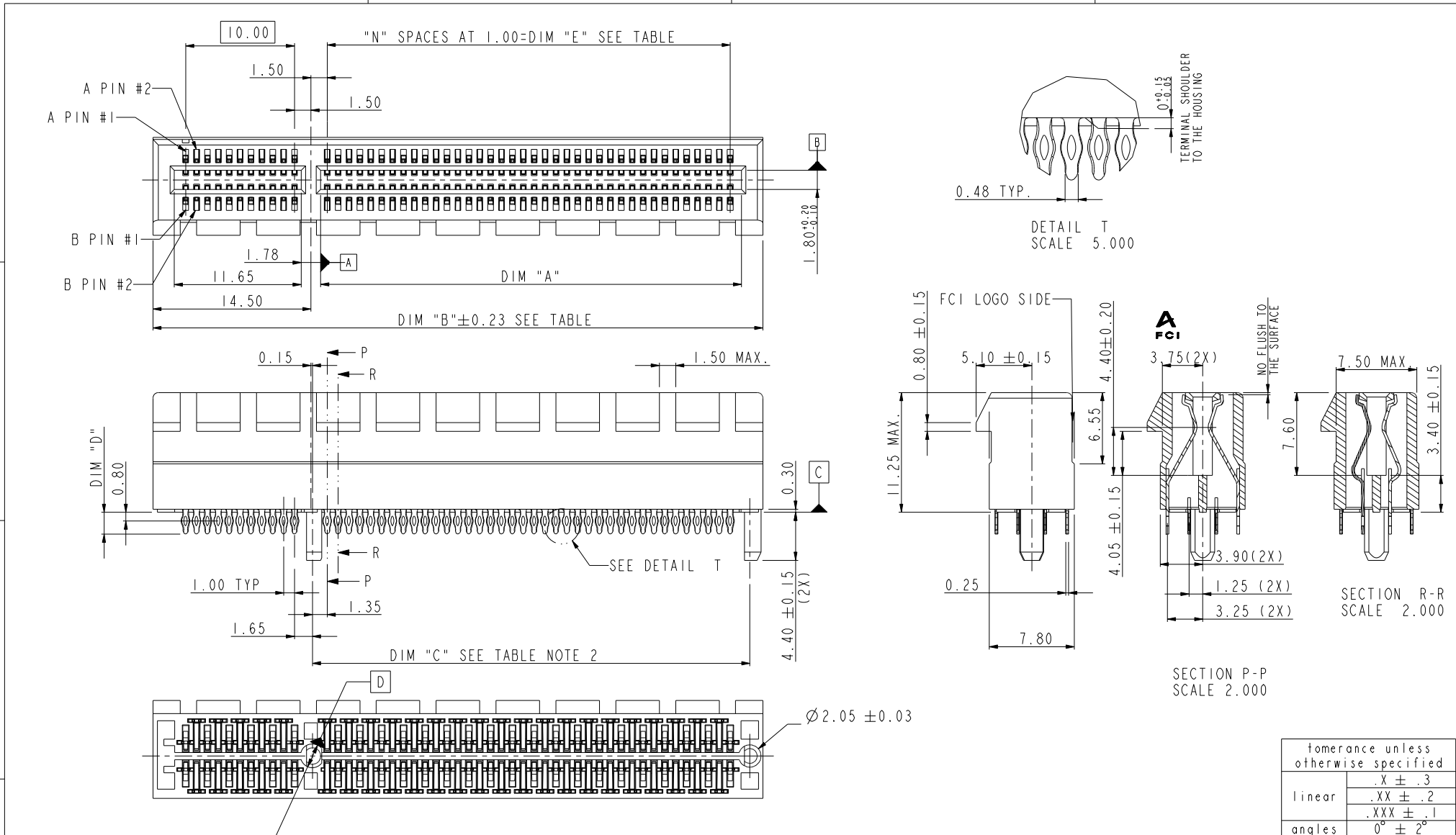




Copyright FCI.



| | |
|--------------------------------------|----------------------------------|
| tolerance unless otherwise specified | |
| linear | .X ± .3 .XX ± .2 .XXX ± .1 |
| angles | 0° ± 2° |

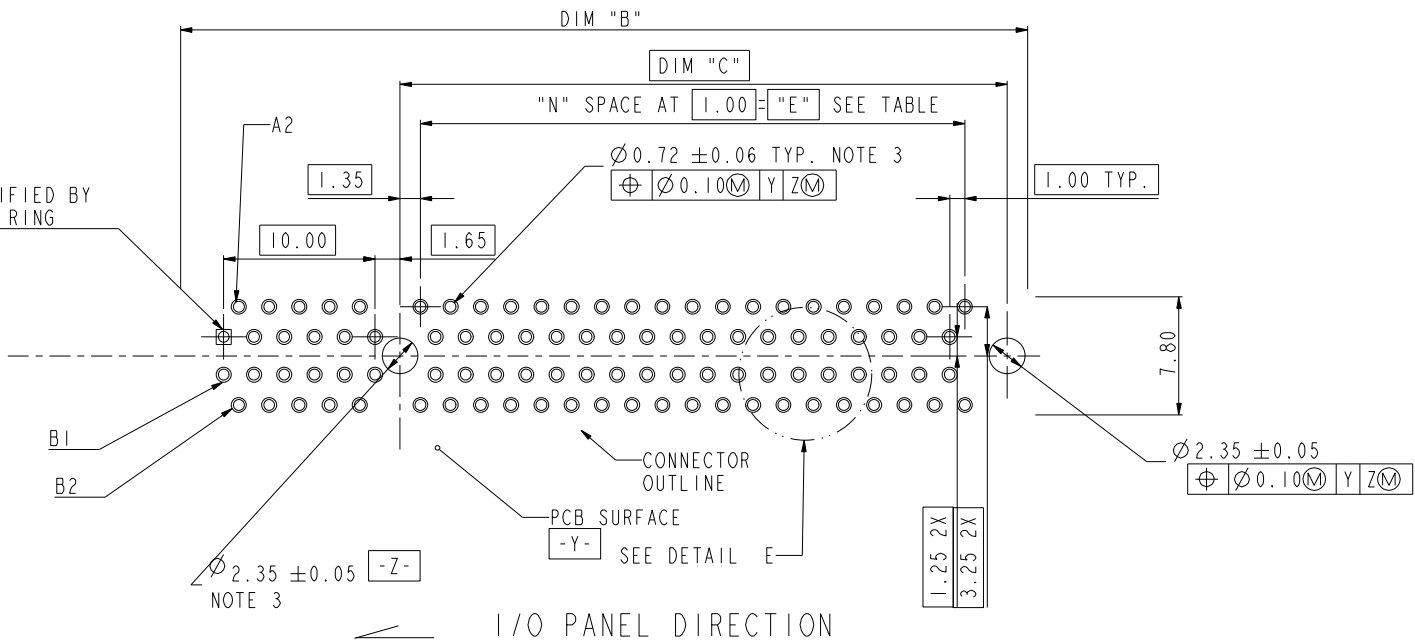
| rev | ecn no | dr | date |
|-----|-----------|-----|----------|
| H | DG06-0161 | P M | 04/11/06 |
| J | DG06-0249 | P M | 06/24/06 |
| K | DG09-0045 | B L | 02/23/09 |
| E | T05-0224 | M W | 09/27/05 |
| F | T05-0243 | M W | 10/27/05 |
| G | T05-0257 | M W | 11/08/05 |

| | | | | | | |
|--------------------|-------------|----------|-----------------------------|-----------|--------------------|--------------|
| www.fciconnect.com | | | ✓ | tolerance | projection | MM |
| Dr | MAGGIE WU | 07/23/04 | Product family | | size | Scale |
| Eng | R Y LIU | 07/23/04 | Spec ref | | A4 | 1.000 |
| Chr | PAUL WANG | 07/23/04 | Material | | ECN | DG09-0045 |
| Appr | JOSEPH HSIA | 07/23/04 | | | | |
| FCI | | | PCI EXPRESS PRESS-FIT ASS'Y | | dwg no | 10039755 |
| catalog no | | | | | Rev. | K |
| | | | | | * CUSTOMER DRAWING | sheet 1 of 6 |

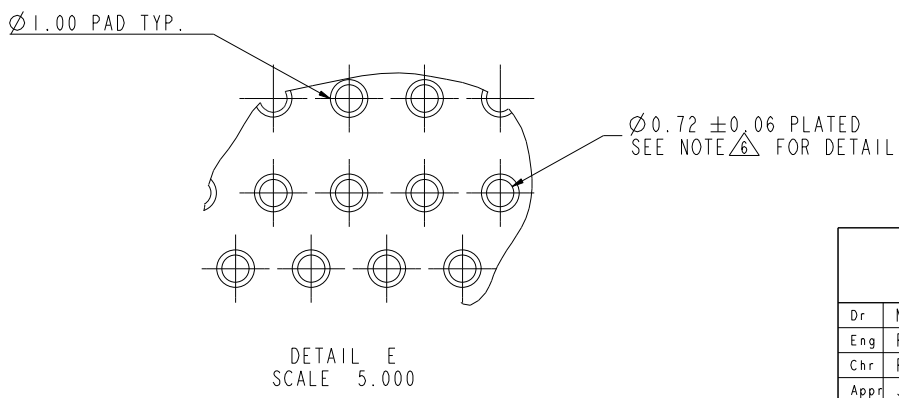


Copyright FCI.

PIN #A1 IDENTIFIED BY SQUARE ANNULAR RING



RECOMMENDED FOOTPRINT



DETAIL E SCALE 5.000

| | |
|--------------------------------------|----------------------------------|
| tolerance unless otherwise specified | |
| linear | .X ± .3 .XX ± .2 .XXX ± .1 |
| angles | 0° ± 2° |

| | | | | | |
|---------------------------------|-------------|----------|---------------------------------|------------|-------------|
| www.fciconnect.com | | | ✓ tolerance | projection | MM |
| Dr | MAGGIE WU | 07/23/04 | Product family | size A4 | Scale 1.000 |
| Eng | R Y LIU | 07/23/04 | Spec ref | ECN | DG09-0045 |
| Chr | PAUL WANG | 07/23/04 | Material | | |
| Appr | JOSEPH HSIA | 07/23/04 | | | |
| FCI PCI EXPRESS PRESS-FIT ASS'Y | | | dwg no | 10039755 | Rev. K |
| catalog no | | | * CUSTOMER DRAWING sheet 2 of 6 | | |

A

B

C

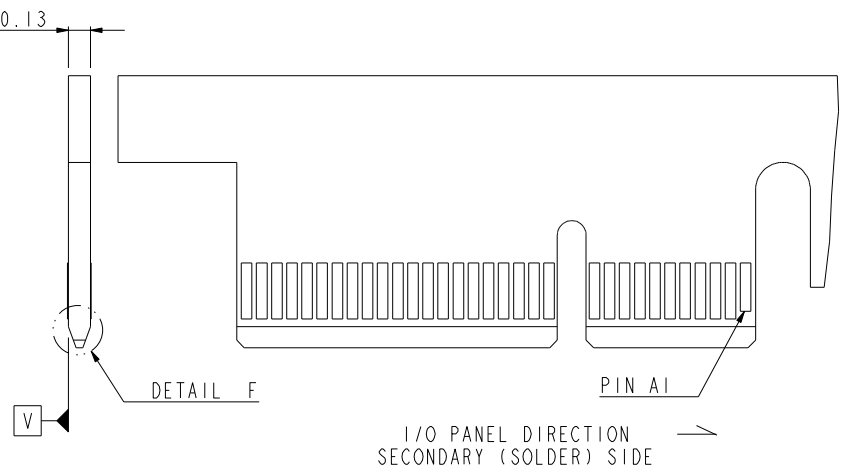
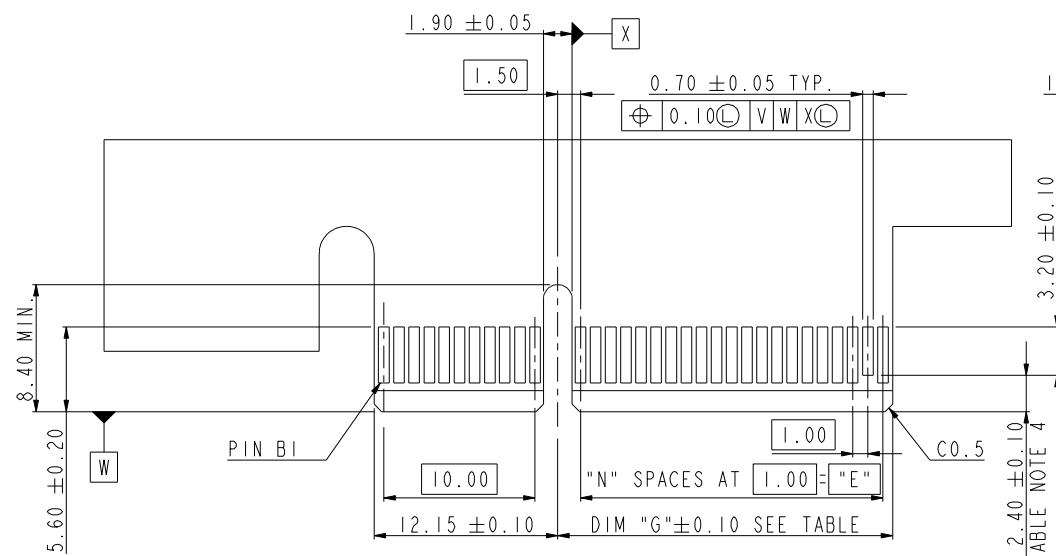
D

A

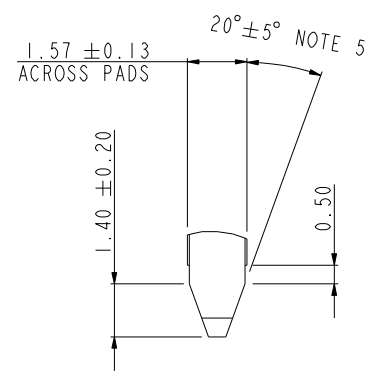
B

C

D



← I/O PANEL DIRECTION
PRIMARY (COMPONENT) SIDE



DETAIL F
SCALE 5.000

| # POS REF. | N | DIM "G" | "F" |
|------------|----|---------|-----|
| 98 | 37 | 39.15 | B48 |
| 164 | 70 | 72.15 | B81 |

| | |
|--------------------------------------|----------------------------------|
| tolerance unless otherwise specified | |
| linear | .X ± .3 .XX ± .2 .XXX ± .1 |
| angles | 0° ± 2° |

| | | | | | |
|-----------------------------|-------------|----------|--------------------|------------|--------------|
| www.fciconnect.com | | | tolerance | projection | MM |
| Dr | MAGGIE WU | 07/23/04 | Product family | size | A4 |
| Eng | R Y LIU | 07/23/04 | Spec ref | Scale | 1.000 |
| Chr | PAUL WANG | 07/23/04 | Material | ECN | DG09-0045 |
| Appr | JOSEPH HSIA | 07/23/04 | | | |
| PCI EXPRESS PRESS-FIT ASS'Y | | | dwg no | 10039755 | Rev. |
| catalog no | | | * CUSTOMER DRAWING | | sheet 3 of 6 |



Copyright FCI.

1

2

3

4

A

A

B

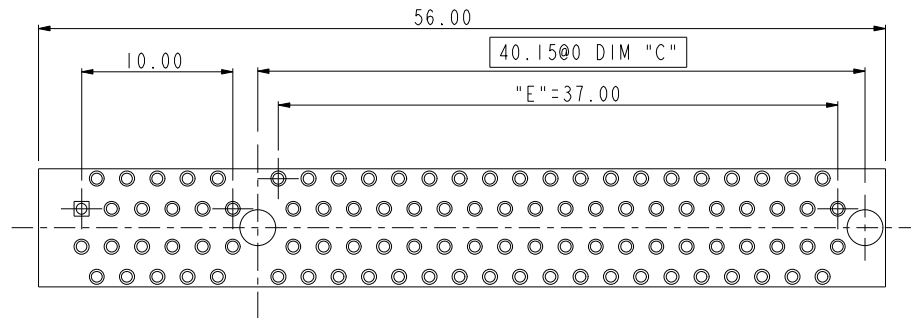
B

C

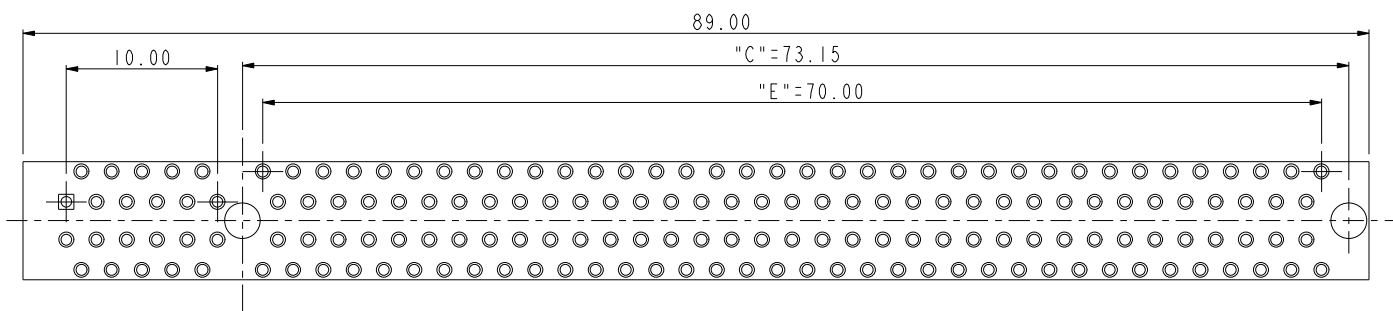
C

D

D



98p
SCALE 2.000



164P
SCALE 2.000

RECOMMENDED FOOTPRINT LAYOUT

| | | | | | |
|--------------------|-----------------------------|----------|----------------|--------------|---------------|
| www.fciconnect.com | | | ✓ tolerance | projection | MM |
| Dr | MAGGIE WU | 07/23/04 | Product family | 3G10 | size A4 |
| Eng | R Y LIU | 07/23/04 | Spec ref | * | Scale 1.000 |
| Chr | PAUL WANG | 07/23/04 | Material | * | ECN DG09-0045 |
| Appr | JOSEPH HSIA | 07/23/04 | | | |
| | PCI EXPRESS PRESS-FIT ASS'Y | | | dwg no | 10039755 |
| catalog no | | | | * | CUSTOMER |
| | | | | Rev. | K |
| | | | | sheet 4 of 6 | |

2

3 PDM: Rev:K

STATUS:Released

4 Printed: Mar 15, 2011

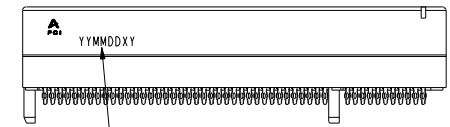


Copyright FCI.

NOTES:

1. MATERIAL:
 - HOUSING: HIGH TEMPERATURE NYLON, GLASS FILLED UL94V-0 RATED. SUITABLE FOR REFLOW SOLDERING.
 - TERMINAL: COPPER ALLOY
 - PLATING: 50u" NICKEL UNDERPLATE ALL OVER
 - CONTACT AREA PLATING - SEE PRODUCT NUMBER CODE
 - SOLDER TAIL: TIN - 100u" MIN. OVER 50u" NICKEL OR TIN/LEAD 100u" MIN. SEE PRODUCT NUMBER CODE
2. PRODUCT SPECIFICATION: GS-12-319
 - ⚠ THE HORIZONTAL AXIS FOR THE HOLE PATTERN IS ESTABLISHED BY A LINE THROUGH THE CENTER OF THE TWO Ø2.35 HOLES.
 - THE VERTICAL AXIS IS 90° TO THE HORIZONTAL AXIS, THROUGH THE CENTER OF DATUM Z.
 - ⚠ NO TIE BAR PERMITTED FROM CARD EDGE TO LEADING EDGE OF PAD FOR PINS A1 AND PIN NUMBERS "F".
 - ⚠ CHAMFER EDGES MUST BE FREE OF CUTTING BURRS.
 - ⚠ ALL PTH SHOULD BE 0.76~0.83 mm DIA DRILLED AND 0.025~0.05 mm. ELECTRO-DEPOSITED COPPER THK ON THROUGH HOLE WALL.
7. RoHS COMPATIBLE PRODUCT SPECIFICATIONS
 - a-PLATING:
 - "LF" MEANS THE PRODUCT IS LEAD-FREE, 2um MINIMUM MATTE TIN OVER 1.27um MINIMUM NICKEL UNDERPLATE.
 - b-MANUFACTURING PROCESS COMPATIBILITY
 - THE HOUSING WILL WITHSTAND EXPOSURE TO 260°C±5°C SOLDER BATH TEMPERATURE FOR 5 SECONDS IN A REFLOW SOLDER APPLICATION WITH A 1.6mm MIN THICK CIRCUIT BOARD.

| CONNECTOR | # POS | REF. | N | DIM "A" | DIM "B" | DIM "C" | DIM "E" |
|-----------|-------|------|----|---------|---------|---------|---------|
| 1 PORT | 36 | | 6 | 7.65 | 25.00 | 9.15 | 6.00 |
| 4 PORT | 64 | | 20 | 21.65 | 39.00 | 23.15 | 20.00 |
| 8 PORT | 98 | | 37 | 38.65 | 56.00 | 40.15 | 37.00 |
| 16 PORT | 164 | | 70 | 71.65 | 89.00 | 73.15 | 70.00 |



Date code:
 "YY" means year number
 "MM" means month number
 "DD" means day number
 "X" means manufacture location
 "D" means made in Dongguan site
 "Y" means shift number
 If date code is 060626D1, it means this part is made by shift 1 in 2006/06/26 and manufactured in Dongguan site
 Date code should be laser mark

PRODUCT NUMBER CODE

10039755 - X X X X X X X X

HOUSING COLOR OPTIONS
 1-BLACK

PEGS OPTIONS
 0-PLASTIC PEGS

TERMINAL PLATING OPTIONS
 0-50u" Ni UNDERPLATE
 30u" Au CONTACT AREA
 100u" TIN TAIL AREA -----COMPATIBLE RoHS
 1-50u" Ni UNDERPLATE
 15u" Au CONTACT AREA
 100u" TIN TAIL AREA -----COMPATIBLE RoHS
 2-50u" Ni UNDERPLATE
 GOLD FLASH CONTACT AREA
 100u" TIN TAIL AREA -----COMPATIBLE RoHS
 3-50u" Ni UNDERPLATE
 30u" Au CONTACT AREA
 100u" TIN/LEAD TAIL AREA -----RoHS COMPLIANT EXCEPT Pb
 4-50u" Ni UNDERPLATE
 15u" Au CONTACT AREA
 100u" TIN/LEAD TAIL AREA -----RoHS COMPLIANT EXCEPT Pb
 5-50u" Ni UNDERPLATE
 GOLD FLASH CONTACT AREA
 100u" TIN/LEAD TAIL AREA -----RoHS COMPLIANT EXCEPT Pb

LEAD FREE OPTION
 "LF" FOR TERMINAL PLATING OPTION 0,1,2
 LEAVE BLANK FOR TERMINAL PLATING 3,4,5

PACKAGING OPTIONS
 T-TRAY PACKAGING

POS OPTIONS
 0-36
 1-64
 2-98
 3-164

| | DIM "D" | SUGGESTED PCB THICKNESS |
|---|-----------|-------------------------|
| 0 | 2.00±0.20 | 2.36 |
| 1 | 3.25±0.20 | 4.19 |

TAIL LENGTH OPTIONS

| tolerance unless otherwise specified | |
|--------------------------------------|-----------|
| linear | .X ± .3 |
| | .XX ± .2 |
| angles | .XXX ± .1 |
| | 0° ± 2° |

| | | | | | |
|--------------------|-------------|-----------------------------|----------------|--------------|-------------|
| www.fciconnect.com | | | ✓ tolerance | projection | MM |
| Dr | MAGGIE WU | 07/23/04 | Product family | size A4 | Scale 1.000 |
| Eng | R Y LIU | 07/23/04 | Spec ref | ECN | DG09-0045 |
| Chr | PAUL WANG | 07/23/04 | Material | | |
| Appr | JOSEPH HSIA | 07/23/04 | | | |
| FCI | | PCI EXPRESS PRESS-FIT ASS'Y | | dwg no | 10039755 |
| catalog no | | * CUSTOMER DRAWING | | sheet 5 of 6 | |
| | | | | Rev. | K |



Copyright FCI.

1

2

3

4

A

B

C

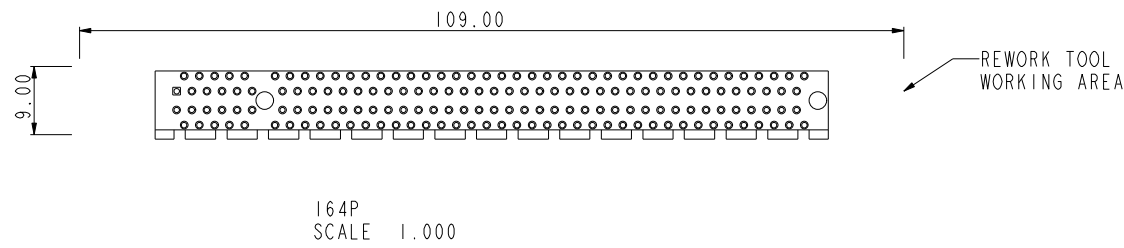
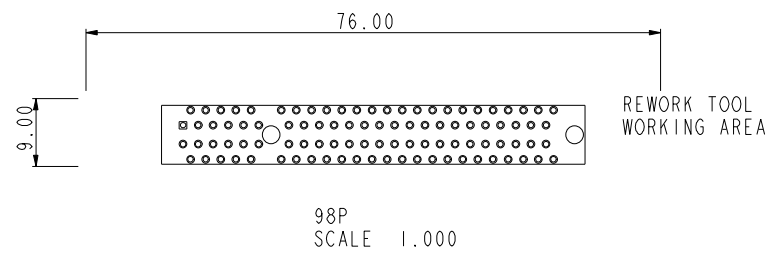
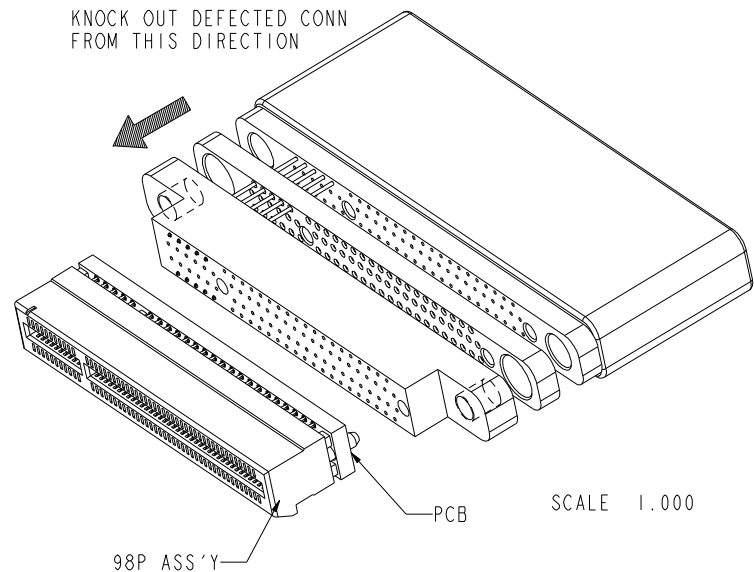
D

A

B

C

D



| | |
|--------------------------------------|----------------------------------|
| tolerance unless otherwise specified | |
| linear | .X ± .3 .XX ± .2 .XXX ± .1 |
| angles | 0° ± 2° |

| | | | | | |
|--------------------|-------------|----------|-----------------------------|--------------------|--------------|
| www.fciconnect.com | | | ✓ tolerance | projection | MM |
| Dr | MAGGIE WU | 07/23/04 | Product family | size | A4 |
| Eng | R Y LIU | 07/23/04 | Spec ref | Scale | 1.000 |
| Chr | PAUL WANG | 07/23/04 | Material | ECN | DG09-0045 |
| Appr | JOSEPH HSIA | 07/23/04 | | | |
| FCi | | | PCI EXPRESS PRESS-FIT ASS'Y | | Rev. K |
| catalog no | | | | dwg no | 10039755 |
| | | | | * CUSTOMER DRAWING | sheet 6 of 6 |



Copyright FCI.

2

Компания «Life Electronics» занимается поставками электронных компонентов импортного и отечественного производства от производителей и со складов крупных дистрибьюторов Европы, Америки и Азии.

С конца 2013 года компания активно расширяет линейку поставок компонентов по направлению коаксиальный кабель, кварцевые генераторы и конденсаторы (керамические, пленочные, электролитические), за счёт заключения дистрибьюторских договоров

Мы предлагаем:

- Конкурентоспособные цены и скидки постоянным клиентам.
- Специальные условия для постоянных клиентов.
- Подбор аналогов.
- Поставку компонентов в любых объемах, удовлетворяющих вашим потребностям.
- Приемлемые сроки поставки, возможна ускоренная поставка.
- Доставку товара в любую точку России и стран СНГ.
- Комплексную поставку.
- Работу по проектам и поставку образцов.
- Формирование склада под заказчика.
- Сертификаты соответствия на поставляемую продукцию (по желанию клиента).
- Тестирование поставляемой продукции.
- Поставку компонентов, требующих военную и космическую приемку.
- Входной контроль качества.
- Наличие сертификата ISO.

В составе нашей компании организован Конструкторский отдел, призванный помогать разработчикам, и инженерам.

Конструкторский отдел помогает осуществить:

- Регистрацию проекта у производителя компонентов.
- Техническую поддержку проекта.
- Защиту от снятия компонента с производства.
- Оценку стоимости проекта по компонентам.
- Изготовление тестовой платы монтаж и пусконаладочные работы.



Тел: +7 (812) 336 43 04 (многоканальный)
Email: org@lifeelectronics.ru