
Standard Product Offerings

The families of Secure RF devices in the tables below are available as standard products. Wafers, smart card modules, RFID tags, and standard package options are listed. Ordering codes indicate specific options to be used with the device number (e.g., AT88SC6416CRF-MR1 denotes the 64K CryptoRF® in the standard RF smart card module).

- Ordering code options in **BOLD** are most commonly sold and may have reduced leadtimes.
- Those codes in regular type are also available.
- Blank areas indicate “not available”.

The following pages give details of the package options for the various ordering codes. Package options are Green compliant (exceeds RoHS).



CryptoRF® and Secure RF

Standard Product Offerings





1. CryptoRF

Table 1. CryptoRF

| CryptoRF Devices | Tuning Capacitor | 6 mil Wafer 150 mm, No Saw | 6 mil Wafer 150 mm, 18 um Ni-Au Bumped, No Saw | RF Smart Card Module | Square RFID Tag | Round RFID Tag |
|------------------|------------------|----------------------------------|---|----------------------------|----------------------|----------------------|
| | | (Industrial Temp) | (Industrial Temp) | (Commercial Temp) | (Commercial Temp) | (Commercial Temp) |
| AT88RF04C | 82 pF | -WA1 | -WA1B | -MR1G | -MX1G | -MY1G |
| AT88SC0808CRF | 82 pF | -WA1 | -WA1B | -MR1 | -MX1 | -MY1 |
| AT88SC1616CRF | 82 pF | -WA1 | -WA1B | -MR1 | -MX1 | -MY1 |
| AT88SC3216CRF | 82 pF | -WA1 | -WA1B | -MR1 | -MX1 | -MY1 |
| AT88SC6416CRF | 82 pF | -WA1 | -WA1B | -MR1 | -MX1 | -MY1 |

2. CryptoRF Reader

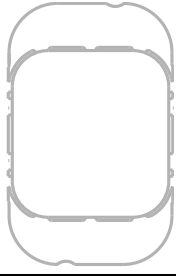
Table 2. ISO/IEC 14443 Type B RF Reader

| RF Reader Devices | 36 pin QFN 6x6 mm, Bulk | 36 pin QFN 6x6 mm, T&R |
|----------------------|----------------------------|---------------------------|
| | (Industrial Temp) | (Industrial Temp) |
| AT88RF1354 | -ZU | -ZU-T |

3. CryptoRF : MR1 Module

Ordering Code: AT88RF04C-MR1G and AT88SCxxxxCRF-MR1

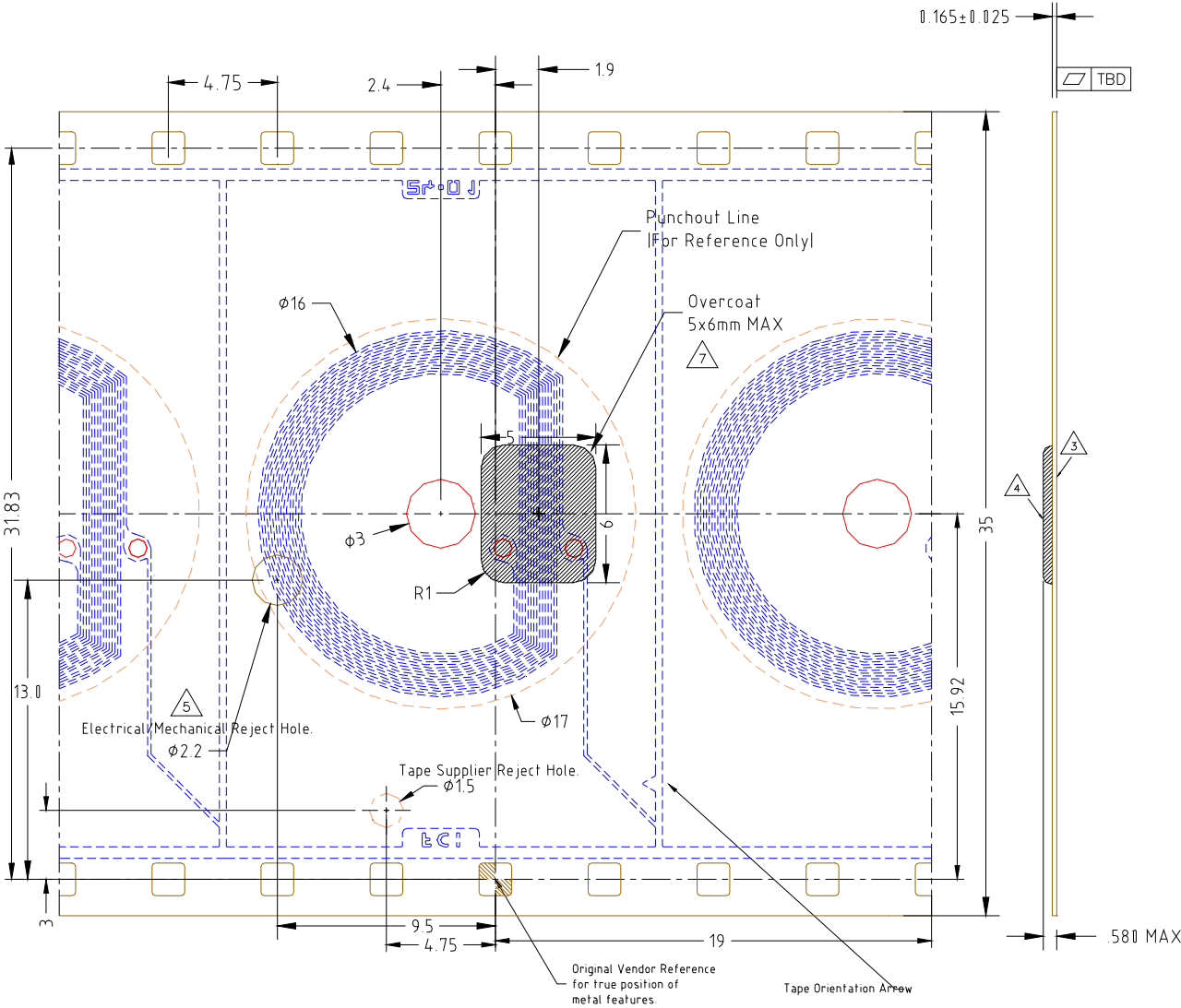
Figure 1. AT88RF04C-MR1G and AT88SCxxxxCRF-MR1

| | |
|--|---|
|  | <p>Module Size: M5 Dimension*: 5.06 x 8.00 [mm] Glob Top: Square - 4.8 x 5.1 [mm] Thickness: 0.38 [mm] Pitch: 9.5 mm</p> |
| <p><i>Products:</i></p> <ul style="list-style-type: none">• AT88RF04C• AT88SC0808CRF• AT88SC1616CRF• AT88SC3216CRF• AT88SC6416CRF | |

5. CryptoRF: MY1 Epoxy Glass RFID Tag

Ordering Code: AT88RF04C-MY1G AT88SCxxxxCRF-MY1

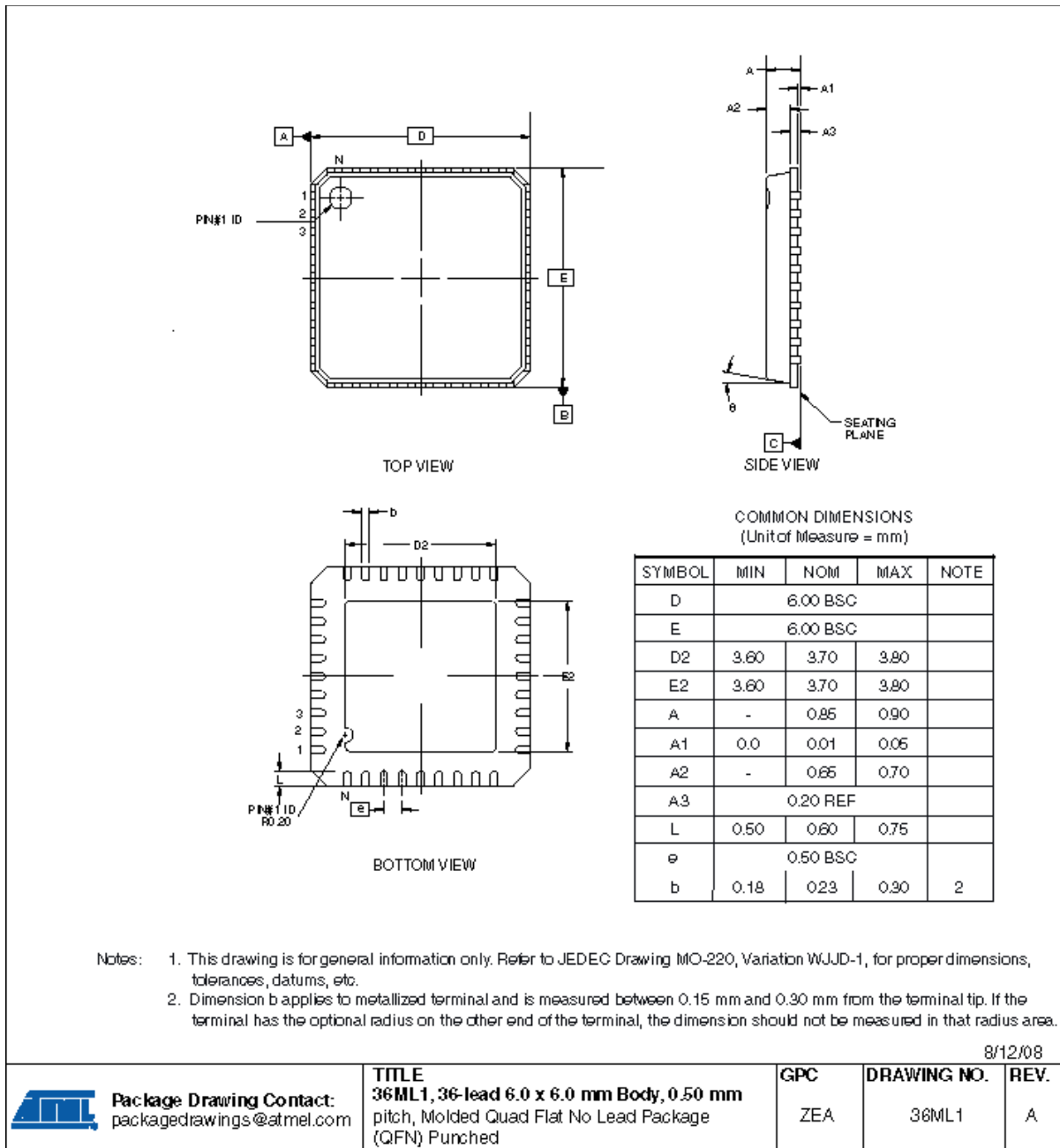
Figure 3. AT88RF04C-MY1G and AT88SCxxxxCRF-MY1



6. CryptoRF Reader Ordering Codes

Ordering Code: **AT88RF1354-ZU Bulk (Trays)**
AT88RF1354-ZU-T Tape and Reel

Figure 4. AT88RF1354-ZU Bulk (Trays); AT88RF1354-ZU-T Tape and Reel



7. Index

7.1. Figures Index

Figure 1. AT88RF04C-MR1G and AT88SCxxxxCRF-MR1 3

Figure 2. AT88RF04C-MX1G and AT88SCxxxxCRF-MX1 4

Figure 3. AT88RF04C-MY1G and AT88SCxxxxCRF-MY1 5

Figure 4. AT88RF1354-ZU Bulk (Trays); AT88RF1354-ZU-T Tape and Reel 6

7.2. Tables Index

Table 1. CryptoRF 2

Table 2. ISO/IEC 14443 Type B RF Reader 2

Table 3. Revision History 8





Revision History

Table 3. Revision History

| Doc. Rev. | Date | Comments |
|-----------|---------|---------------------------|
| 5047C | 03/2009 | Document updated. |
| 5047B | 03/2006 | Document updated. |
| 5047A | 05/2003 | Initial document release. |



Headquarters

Atmel Corporation

2325 Orchard Parkway
San Jose, CA 95131
USA
Tel: 1(408) 441-0311
Fax: 1(408) 487-2600

International

Atmel Asia

Room 1219
Chinachem Golden Plaza
77 Mody Road Tsimshatsui
East Kowloon
Hong Kong
Tel: (852) 2721-9778
Fax: (852) 2722-1369

Atmel Europe

Le Krebs
8, Rue Jean-Pierre Timbaud
BP 309
78054 Saint-Quentin-en-
Yvelines Cedex
France
Tel: (33) 1-30-60-70-00
Fax: (33) 1-30-60-71-11

Atmel Japan

9F, Tonetsu Shinkawa Bldg.
1-24-8 Shinkawa
Chuo-ku, Tokyo 104-0033
Japan
Tel: (81) 3-3523-3551
Fax: (81) 3-3523-7581

Product Contact

Web Site

www.atmel.com

Technical Support

cryptorf@atmel.com

Sales Contact

www.atmel.com/contacts

Literature Requests

www.atmel.com/literature

Disclaimer: The information in this document is provided in connection with Atmel products. No license, express or implied, by estoppel or otherwise, to any intellectual property right is granted by this document or in connection with the sale of Atmel products. **EXCEPT AS SET FORTH IN ATMEL'S TERMS AND CONDITIONS OF SALE LOCATED ON ATMEL'S WEB SITE, ATMEL ASSUMES NO LIABILITY WHATSOEVER AND DISCLAIMS ANY EXPRESS, IMPLIED OR STATUTORY WARRANTY RELATING TO ITS PRODUCTS INCLUDING, BUT NOT LIMITED TO, THE IMPLIED WARRANTY OF MERCHANTABILITY, FITNESS FOR A PARTICULAR PURPOSE, OR NON-INFRINGEMENT. IN NO EVENT SHALL ATMEL BE LIABLE FOR ANY DIRECT, INDIRECT, CONSEQUENTIAL, PUNITIVE, SPECIAL OR INCIDENTAL DAMAGES (INCLUDING, WITHOUT LIMITATION, DAMAGES FOR LOSS OF PROFITS, BUSINESS INTERRUPTION, OR LOSS OF INFORMATION) ARISING OUT OF THE USE OR INABILITY TO USE THIS DOCUMENT, EVEN IF ATMEL HAS BEEN ADVISED OF THE POSSIBILITY OF SUCH DAMAGES.** Atmel makes no representations or warranties with respect to the accuracy or completeness of the contents of this document and reserves the right to make changes to specifications and product descriptions at any time without notice. Atmel does not make any commitment to update the information contained herein. Unless specifically provided otherwise, Atmel products are not suitable for, and shall not be used in, automotive applications. Atmel's products are not intended, authorized, or warranted for use as components in applications intended to support or sustain life.

© 2009 Atmel Corporation. All rights reserved. Atmel®, Atmel logo and combinations thereof, CryptoRF® and others, are registered trademarks or trademarks of Atmel Corporation or its subsidiaries. Other terms and product names may be trademarks of others.

Компания «Life Electronics» занимается поставками электронных компонентов импортного и отечественного производства от производителей и со складов крупных дистрибьюторов Европы, Америки и Азии.

С конца 2013 года компания активно расширяет линейку поставок компонентов по направлению коаксиальный кабель, кварцевые генераторы и конденсаторы (керамические, пленочные, электролитические), за счёт заключения дистрибьюторских договоров

Мы предлагаем:

- Конкурентоспособные цены и скидки постоянным клиентам.
- Специальные условия для постоянных клиентов.
- Подбор аналогов.
- Поставку компонентов в любых объемах, удовлетворяющих вашим потребностям.
- Приемлемые сроки поставки, возможна ускоренная поставка.
- Доставку товара в любую точку России и стран СНГ.
- Комплексную поставку.
- Работу по проектам и поставку образцов.
- Формирование склада под заказчика.
- Сертификаты соответствия на поставляемую продукцию (по желанию клиента).
- Тестирование поставляемой продукции.
- Поставку компонентов, требующих военную и космическую приемку.
- Входной контроль качества.
- Наличие сертификата ISO.

В составе нашей компании организован Конструкторский отдел, призванный помогать разработчикам, и инженерам.

Конструкторский отдел помогает осуществить:

- Регистрацию проекта у производителя компонентов.
- Техническую поддержку проекта.
- Защиту от снятия компонента с производства.
- Оценку стоимости проекта по компонентам.
- Изготовление тестовой платы монтаж и пусконаладочные работы.



Тел: +7 (812) 336 43 04 (многоканальный)
Email: org@lifeelectronics.ru