

Features

- ◆ High efficiency switching power supplies
- ◆ Easy installation into standard flush boxes
- ◆ Fully encapsulated plastic housing
- ◆ Dust and waterproof to IP 67
- ◆ Protection class II
- ◆ Safety approval to IEC/EN 60950-1
EN 50178, EN 60335-1
- ◆ Universal input range 93 to 264 VAC
- ◆ Regulated output voltage
(models from 3.3 to 24 VDC)
- ◆ Operating temp. range -25°C to $+50^{\circ}\text{C}$
- ◆ Short circuit and overload protection
- ◆ 3-year product warranty



(Mounted in standard flush box)

The TIW series is a new range of small size DC-power supplies which have been designed particularly for applications in home and office installations.

The compact modules cases fit in the standardized in-wall flush boxes or also can be mounted on walls. For connection there are models available with flying wires. The power supplies comply fully with the safety and EMC standards requested for commercial and residential class II installations. Typical applications are powering of electric devices used in home automation and in security systems like i.e. DC-motors, controllers, indicators, etc.

Models

| Order Code | Output Power max. | Output Voltage | Output Current | Efficiency |
|------------|-------------------|----------------|----------------|------------|
| TIW 06-103 | 4 W | 3.3 VDC | 1.2 A | 75 % |
| TIW 06-105 | 5 W | 5.0 VDC | 1.0 A | 75 % |
| TIW 06-106 | 6 W | 6.0 VDC | 1.0 A | 80 % |
| TIW 12-112 | 12 W* | 12 VDC | 1.0 A | 80 % |
| TIW 12-115 | 12 W* | 15 VDC | 0.8 A | 80 % |
| TIW 12-124 | 12 W* | 24 VDC | 0.5 A | 80 % |
| TIW 24-112 | 24 W* | 12 VDC | 2.0 A | 83 % |
| TIW 24-124 | 24 W* | 24 VDC | 1.0 A | 85 % |

* If these models are used with 115 VAC input voltage, a 25% load reduction must be applied.

Input Specifications

| | | |
|---|---|--|
| Input voltage range | <ul style="list-style-type: none"> – nominal – ranges – output power derating for 12 & 24 W models | 115 – 230 VAC 93 – 264 VAC (universal input) 0.45 %/V below 187 VAC down to 132 VAC 1 %/V below 115 VAC |
| Input frequency | | 47 – 63 Hz |
| No load power consumption (acc. ErP directive EC No.278/2009) | | < 300 mW |
| External input fuse required (recommended values) | | 2.0 A slow blow |
| Harmonic limits | | EN 61000-3-2, Class A |

Output Specifications

| | | |
|--------------------------------------|--|--|
| Voltage set accuracy | | ±3 % max. |
| Regulation | <ul style="list-style-type: none"> – Input variation – Load variation (0–100%) | 1 % max. 2 % max. |
| Ripple and noise (20 Mhz Bandwidth) | TIW 06-xxx models: TIW 12-xxx models: TIW 24-xxx models: | <300 mVp-p <500 mVp-p <200 mVp-p |
| Overload protection by current limit | TIW 06-xxx & TIW 24-xxx models: TIW 12-xxx models: | <2.5 A <3.5 A |
| Short circuit protection | | foldback (automatic recovery) |

General Specifications

| | | |
|---|---|--|
| Operating Temperature | | –25°C to +50°C |
| Over temperature protection | | built in |
| Reliability, calculated MTBF according to IEC 61709 | | www.tracopower.com/products/tiw-mtbf.pdf |
| Humidity (non condensing) | | 5 – 95 % rel. H max. |
| Hold-up time | <ul style="list-style-type: none"> – Vin = 115 VAC – Vin = 230 VAC | 5 ms typ. 20 ms typ. |
| Start-up time | | <1s |
| Safety standards | <ul style="list-style-type: none"> – safety of information technology equipment – Standard for Class 2 Power Units – Electronic equipment for use in power installations – Safety of household and similar electrical appliances | IEC/EN 60950-1, UL Std. 60950-1 (2nd Edition) +Am1:2011, CAN/CSA-C22.2 No. 60950-1-07 +Am1:2011 UL 1310 (6th Edition), CAN/CSA-C22.2 No. 223-M91(R2008) Outputs EN 50178 EN 60335-1 |
| Safety approvals | <ul style="list-style-type: none"> – CB report according IEC/EN 60950-1 – GS certification (for other standards) – BG certificate – CSA certificate | www.tracopower.com/products/tiw-cb.pdf www.tracopower.com/products/tiw-gs.pdf www.tracopower.com/products/tiw-bg.pdf www.tracopower.com/products/tiw-csa.pdf |
| Electromagnetic compatibility (EMC), emissions | <ul style="list-style-type: none"> – Conducted RI suppression on input – Radiated RI suppression | EN 61000-6-3 EN 55022 class B EN 55022 class B |
| Electromagnetic compatibility (EMC), immunity | <ul style="list-style-type: none"> – Electrostatic discharge (ESD) – Radiated RF field immunity – Electrical fast transient / burst immunity – Surge immunity line – ground – Surge immunity line – line – Surge immunity output – Immunity to conducted RF disturbances – Mains voltage dips and interruptions | EN 61000-6-2-1, IEC 61204-3 EN 61000-4-2 4 kV / 8 kV EN 61000-4-3 3 V/m EN 61000-4-4 1 kV / 0.5 kV EN 61000-4-5 2 kV EN 61000-4-5 1 kV EN 61000-4-5 0.5 kV EN 61000-4-6 3 V EN 61000-4-11 30 % /10 mS, 60 % /100 mS |

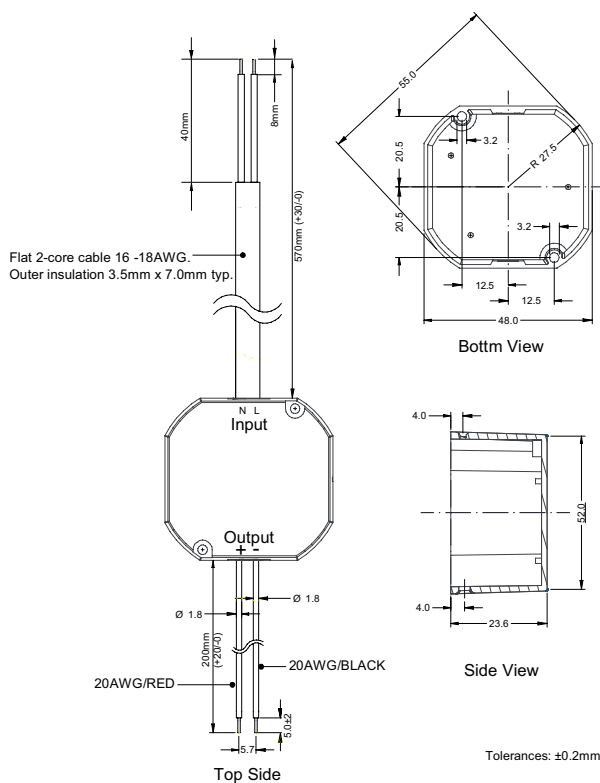
All specifications valid at nominal input voltage, full load and +25°C after warm-up time unless otherwise stated.

General Specifications

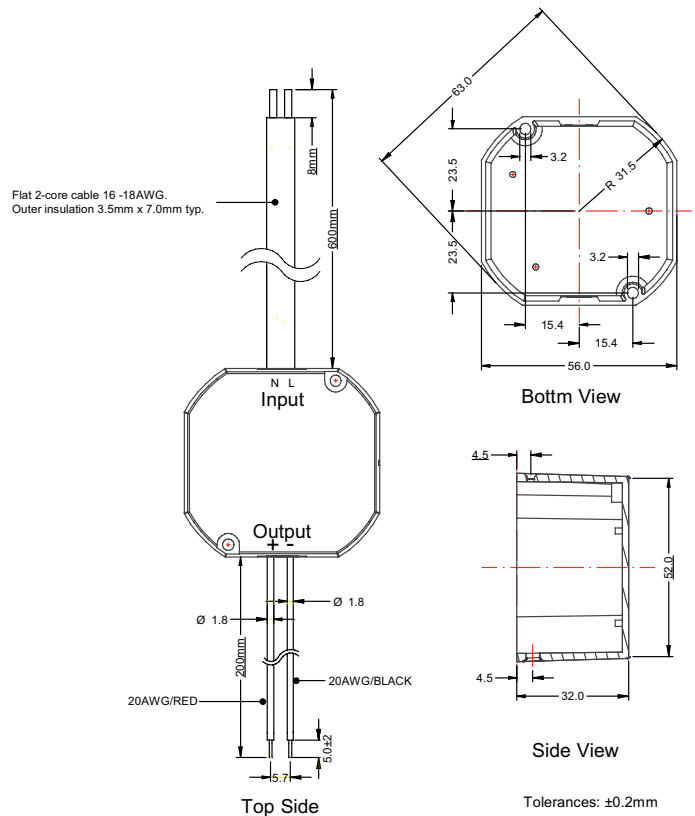
| | | |
|--------------------------|---|---|
| Protection class | class II as per IEC/EN 61140 | |
| Casing material | plastic (UL 94V-0 rated) | |
| Casing protection | IP 67 | |
| Environment | - Vibration acc. IEC 60068-2-6 - Shock acc. IEC 60068-2-27 | Part 2, test Fe: Vibration (sinusoidal) Part 2, test Ea: Shock |
| Connection wires | - Input - Output | 2 x 570 mm +30/-0 (black/white) AWG 18 2 x 200 mm +20/-0 (red/black) AWG 20 |
| Environmental compliance | - Reach - RoHS | www.tracopower.com/products/tiw-reach.pdf RoHS directive 2011/65/EU |
| Weight | - 24 Watt models: 100 g (3.8 oz) - other models: 80 g (2.7 oz) | |

Outline Dimensions

TIW 6 & 12 Watt models:



TIW 24 Watt model:



Specifications can be changed without notice! Make sure you are using the latest documentation, downloadable at www.tracopower.com

Компания «Life Electronics» занимается поставками электронных компонентов импортного и отечественного производства от производителей и со складов крупных дистрибьюторов Европы, Америки и Азии.

С конца 2013 года компания активно расширяет линейку поставок компонентов по направлению коаксиальный кабель, кварцевые генераторы и конденсаторы (керамические, пленочные, электролитические), за счёт заключения дистрибьюторских договоров

Мы предлагаем:

- Конкурентоспособные цены и скидки постоянным клиентам.
- Специальные условия для постоянных клиентов.
- Подбор аналогов.
- Поставку компонентов в любых объемах, удовлетворяющих вашим потребностям.
- Приемлемые сроки поставки, возможна ускоренная поставка.
- Доставку товара в любую точку России и стран СНГ.
- Комплексную поставку.
- Работу по проектам и поставку образцов.
- Формирование склада под заказчика.
- Сертификаты соответствия на поставляемую продукцию (по желанию клиента).
- Тестирование поставляемой продукции.
- Поставку компонентов, требующих военную и космическую приемку.
- Входной контроль качества.
- Наличие сертификата ISO.

В составе нашей компании организован Конструкторский отдел, призванный помогать разработчикам, и инженерам.

Конструкторский отдел помогает осуществить:

- Регистрацию проекта у производителя компонентов.
- Техническую поддержку проекта.
- Защиту от снятия компонента с производства.
- Оценку стоимости проекта по компонентам.
- Изготовление тестовой платы монтаж и пусконаладочные работы.



Тел: +7 (812) 336 43 04 (многоканальный)

Email: org@lifeelectronics.ru