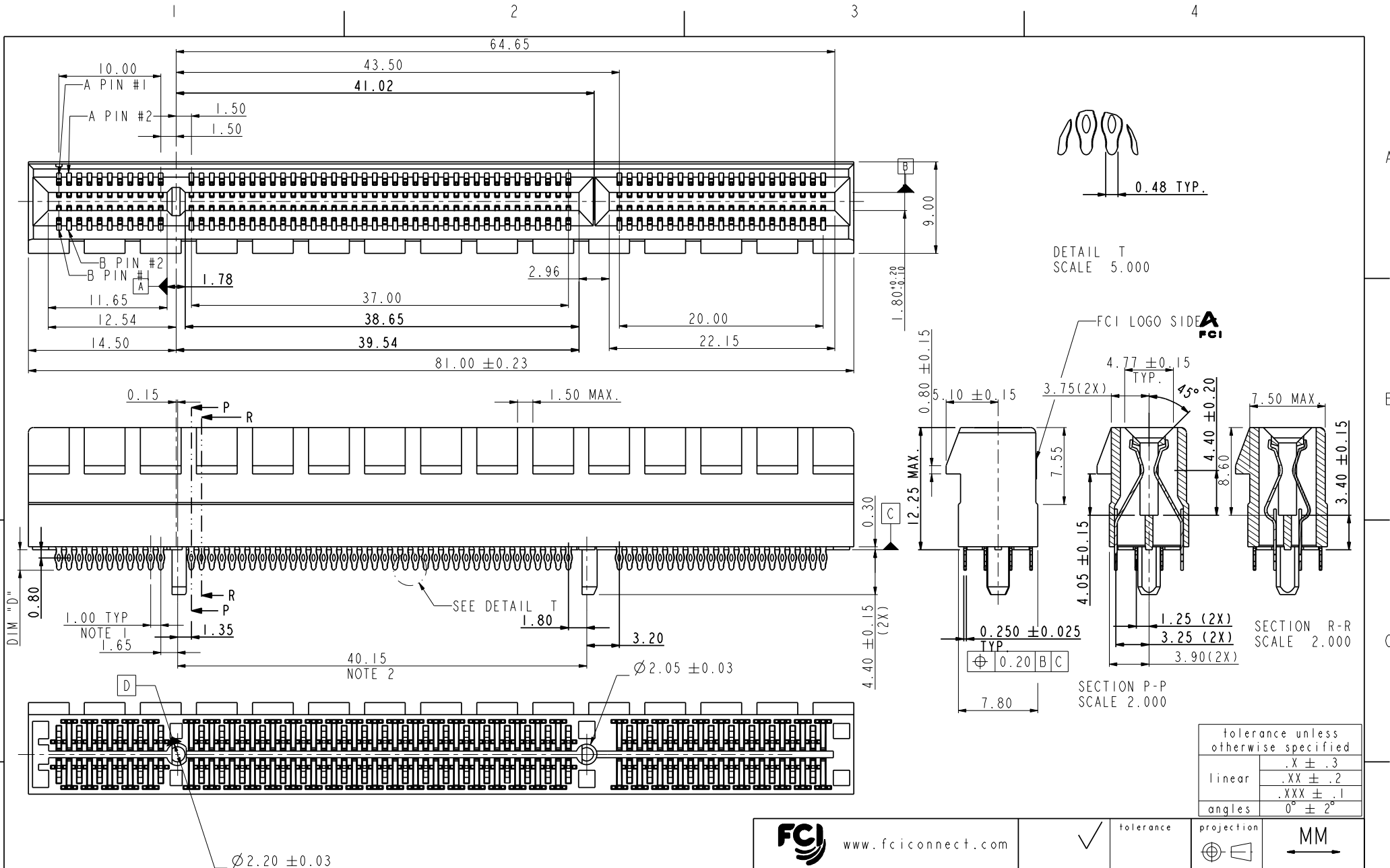


Tous droits strictement réservés. Reproduction ou communication à des tiers interdite sous quelque forme que ce soit sans autorisation écrite du propriétaire. Propriété de c FCI. Droits de reproduction FCI.

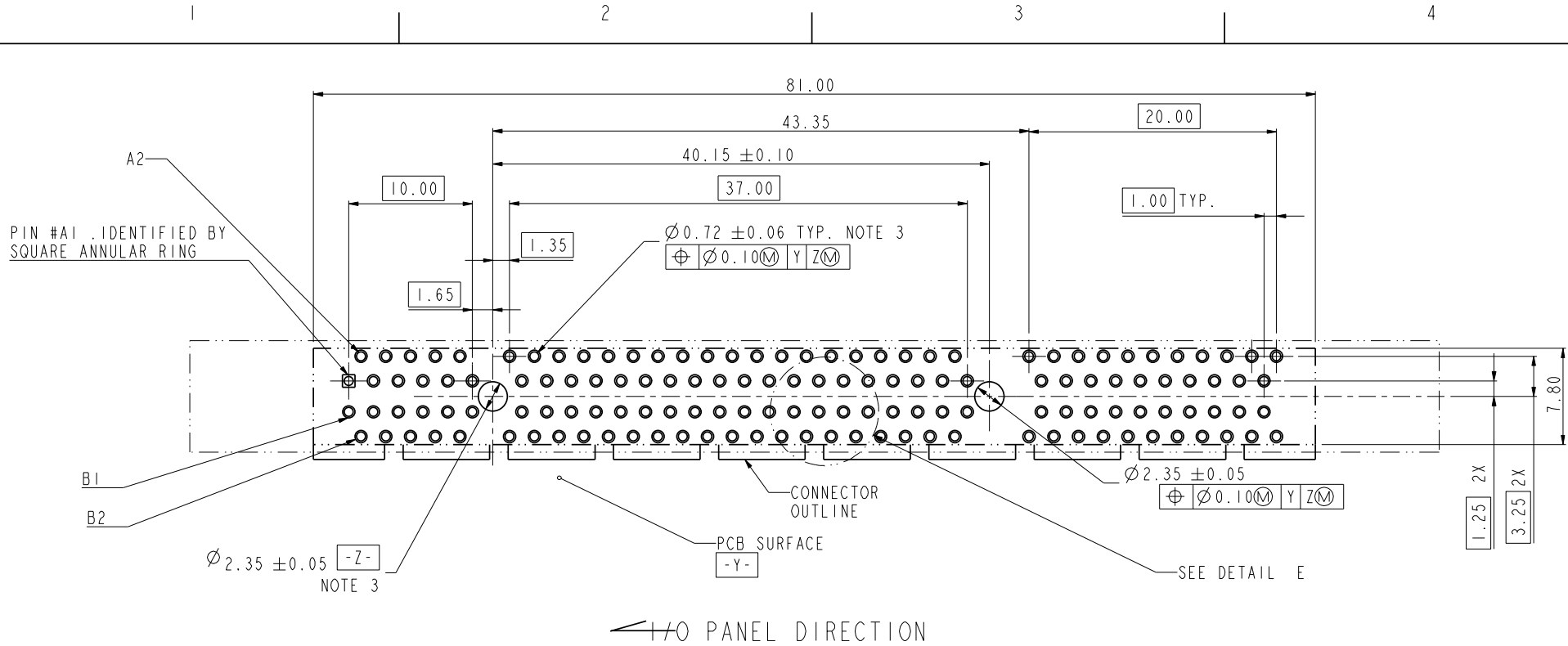
All rights strictly reserved. Reproduction or issue to third parties in any form whatever is not permitted without written authority from the proprietor. Property of FCI. Copyright FCI.



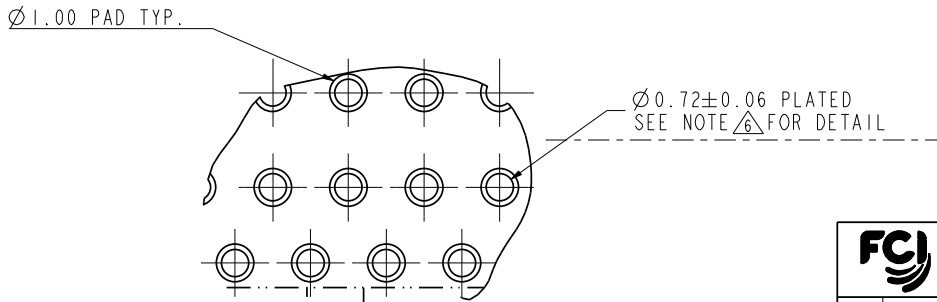
rev	ecn no	dr	date
A	T05-0236	M W	10/18/05
B	T05-0243	M W	10/27/05
C	T05-0257	M W	11/08/05
D	T05-0287	M W	12/19/05
E	DG06-0161	P M	04/11/06
F	DG06-0249	P M	07/04/06

www.fciconnect.com			<input checked="" type="checkbox"/> tolerance	projection
Dr	MAGGIE WU	04/20/05	Product family	size A4
Eng	R Y LIU	04/20/05	Spec ref	Scale 1.000
Chr	PAUL WANG	04/20/05	Material	ECN DG06-0249
Appr	JOSEPH HSIA	04/20/05		
title PCI Express ExpressModule CARD EDGE 140P PRESS-FIT ASS'Y			dwg no 10055295	Rev. F
catalog no			PDM: Rev:F	STATUS: Released
CUSTOMER DRAWING			sheet 1 of 5	Printed: Mar 15, 2011

Tous droits strictement réservés. Reproduction ou communication a des tiers interdite sous quelque forme que ce soit sans autorisation écrite du propriétaire. Propriété de c FCI. Droits de reproduction FCI.



RECOMMENDED FOOTPRINT



DETAIL E  
SCALE 5.000

tolerance unless otherwise specified	
linear	.X ± .3 .XX ± .2 .XXX ± .1
angles	0° ± 2°

<b>FCI</b> www.fciconnect.com		✓	tolerance	projection	<b>MM</b>
Dr	MAGGIE WU	04/20/05	Product family	size	A4
Eng	R Y LIU	04/20/05	Spec ref	Scale	1.000
Chr	PAUL WANG	04/20/05	Material	ECN	DG06-0249
Appr	JOSEPH HSIA	04/20/05			

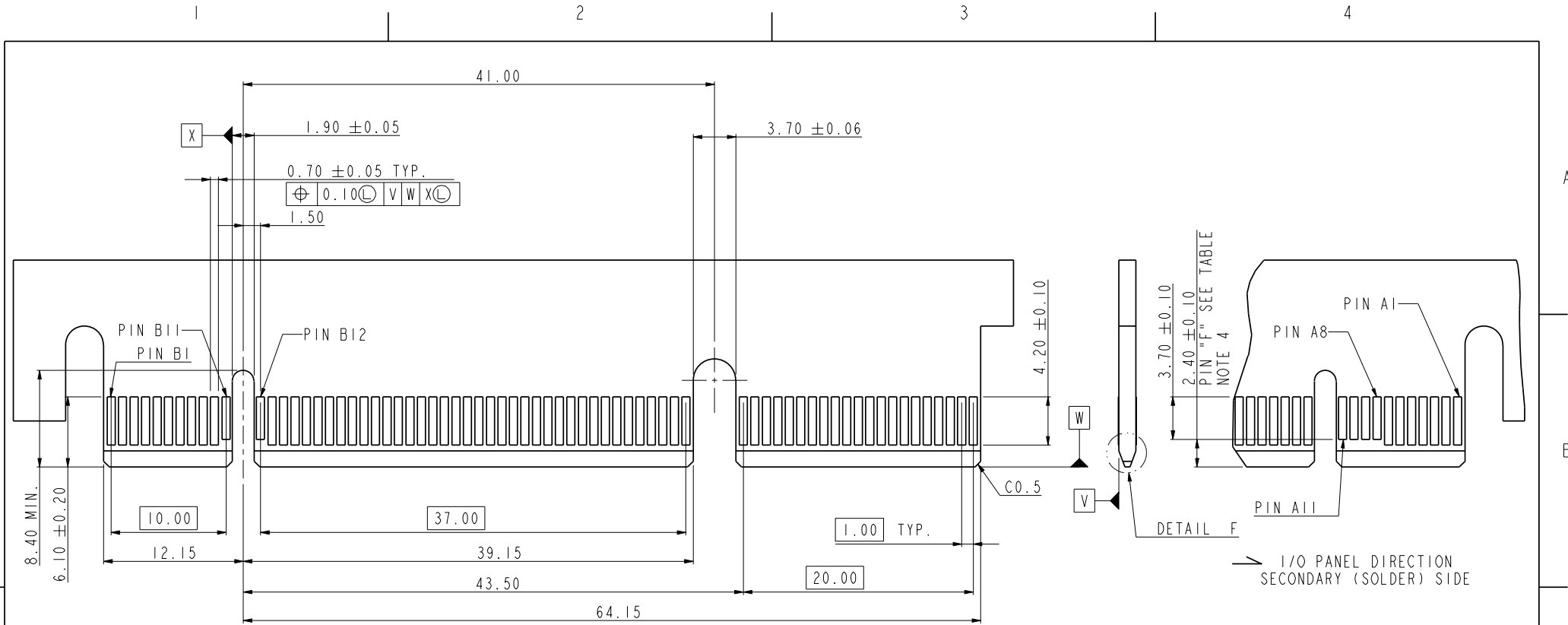
title	PCI Express ExpressModule CARD EDGE 140P PRESS-FIT ASS'Y		dwg no	10055295	Rev.	F
catalog no	PDM: Rev:F		STATUS: Released		CUSTOMER DRAWING sheet 2 of 5	

All rights strictly reserved. Reproduction or issue to third parties in any form whatever is not permitted without written authority from the proprietor. Property of FCI. Copyright FCI.

Tous droits strictement réservés. Reproduction ou communication à des tiers interdite sous quelque forme que ce soit sans autorisation écrite du propriétaire. Propriété de c FCI. Droits de reproduction FCI.



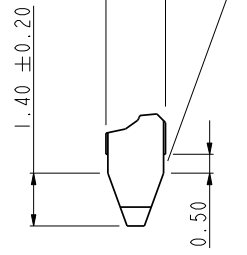
All rights strictly reserved. Reproduction or issue to third parties in any form whatever is not permitted without written authority from the proprietor. Property of FCI. Copyright FCI.



I/O PANEL DIRECTION  
PRIMARY (COMPONENT) SIDE

I/O PANEL DIRECTION  
SECONDARY (SOLDER) SIDE

1.57 ± 0.13  
ACROSS PADS  
20° ± 5° NOTE 5



DETAIL F  
SCALE 5.000

CONNECTOR LINK WIDE	#POS REF.	"F" NOTE 4
X8E	140	A8,A9,A10,A11 B11,B12

tolerance unless otherwise specified	
linear	.X ± .2 .XX ± .13 .XXX ± .05
angles	0° ± 2°

www.fciconnect.com	<input checked="" type="checkbox"/> tolerance	<input type="checkbox"/> projection	
Eng R Y LIU 04/20/05	Spec ref	ECN	DG06-0249
Chr PAUL WANG 04/20/05	Material		
Appr JOSEPH HSIA 04/20/05			

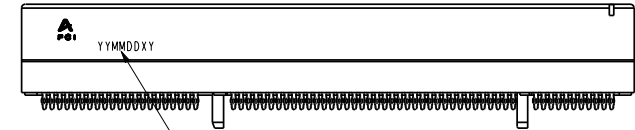
title	PCI Express ExpressModule CARD EDGE 140P PRESS-FIT ASS'Y	dwg no	10055295	Rev.	F
catalog no	PDM: Rev:F	STATUS: Released	CUSTOMER DRAWING	sheet 3 of 5	Printed: Mar 15, 2011

Tous droits strictement reserves. Reproduction ou communication a des tiers interdite sous quelque forme que ce soit sans autorisation ecrite du proprietaire. Propriete de c FCI. Droits de reproduction FCI.

All rights strictly reserved. Reproduction or issue to third parties in any form whatever is not permitted without written authority from the proprietor. Property of FCI. Copyright FCI.

NOTES:

1. MATERIAL:
  - HOUSING: HIGH TEMPERATURE NYLON, GLASS FILLED UL94V-0 RATED. SUITABLE FOR REFLOW SOLDERING.
  - TERMINAL: COPPER ALLOY
  - PLATING: 50u" NICKEL UNDERPLATE ALL OVER
  - CONTACT AREA PLATING - SEE PRODUCT NUMBER CODE
  - SOLDER TAIL: TIN - 100u" MIN. OVER 50u" NICKEL OR TIN/LEAD 100u" MIN. SEE PRODUCT NUMBER CODE
2. PRODUCT SPECIFICATION: GS-12-319
3. THE HORIZONTAL AXIS FOR THE HOLE PATTERN IS ESTABLISHED BY A LINE THROUGH THE CENTER OF THE TWO Ø2.35 HOLES. THE VERTICAL AXIS IS 90° TO THE HORIZONTAL AXIS, THROUGH THE CENTER OF DATUM Z.
4. NO TIE BAR PERMITTED FROM CARD EDGE TO LEADING EDGE OF PAD FOR PINS A1 AND PIN NUMBERS "F".
5. CHAMFER EDGES MUST BE FREE OF CUTTING BURRS.
6. ALL PLATED THRU HOLES SHOULD BE 0.76-0.83 mm DIA DRILLED AND 0.025mm ~ 0.05mm. ELECTRO-DEPOSITED COPPER THK ON THROUGH HOLE WALL.
7. RoHS COMPATIBLE PRODUCT SPECIFICATIONS
  - a-PLATING:
    - "LF" MEANS THE PRODUCT IS LEAD-FREE, 2um MINIMUM MATTE TIN OVER 1.27um MINIMUM NICKEL UNDERPLATE.
  - b-MANUFACTURING PROCESS COMPATIBILITY
    - THE HOUSING WILL WITHSTAND EXPOSURE TO 260°C±5°C SOLDER BATH TEMPERATURE FOR 10 SECONDS IN A REFLOW SOLDER APPLICATION WITH A 2.36mm AND 4.19mm MIN THICK CIRCUIT BOARD.



Date code:  
 "YY" means year number  
 "MM" means month number  
 "DD" means day number  
 "X" means manufacture location  
 "D" means made in Dongguan site  
 "Y" means shift number  
 If date code is 060626D1, it means this part is made by shift 1 in 2006/06/26 and manufactured in Dongguan site  
 Date code should be laser mark

PRODUCT NUMBER CODE

10055295 - X X X X X X X X

HOUSING COLOR OPTIONS  
1-BLACK

PEGS OPTIONS  
0-PLASTIC PEGS

TERMINAL PLATING OPTIONS  
0-50u" Ni UNDERPLATE  
30u" Au CONTACT AREA  
100u" TIN TAIL AREA -----COMPATIBLE RoHS

3-50u" Ni UNDERPLATE  
30u" Au CONTACT AREA  
100u" TIN/LEAD TAIL AREA -----RoHS COMPLIANT EXCEPT Pb

LEAD FREE OPTION  
"LF" FOR TERMINAL PLATING OPTION 0  
LEAVE BLANK FOR TERMINAL PLATING OPTION 3

PACKAGING OPTIONS  
T-TRAY PACKAGING

RESERVE  
0

TAIL LENGTH OPTIONS

	DIM "D"	SUGGESTED PCB THICKNESS
0	2.00±0.20	2.36
1	3.25±0.20	4.19

tolerance unless otherwise specified	
linear	.X ± .3 .XX ± .2 .XXX ± .1
angles	0° ± 2°

<b>FCI</b> www.fciconnect.com		tolerance	projection	<b>MM</b>
Dr	MAGGIE WU	04/20/05	Product family	size A4
Eng	R Y LIU	04/20/05	Spec ref	Scale 1.000
Chr	PAUL WANG	04/20/05	Material	ECN DG06-0249
Appr	JOSEPH HSIA	04/20/05		
title		PCI Express ExpressModule CARD EDGE 140P PRESS-FIT ASS'Y		Rev. F
catalog no		10055295		

PDM: Rev:F

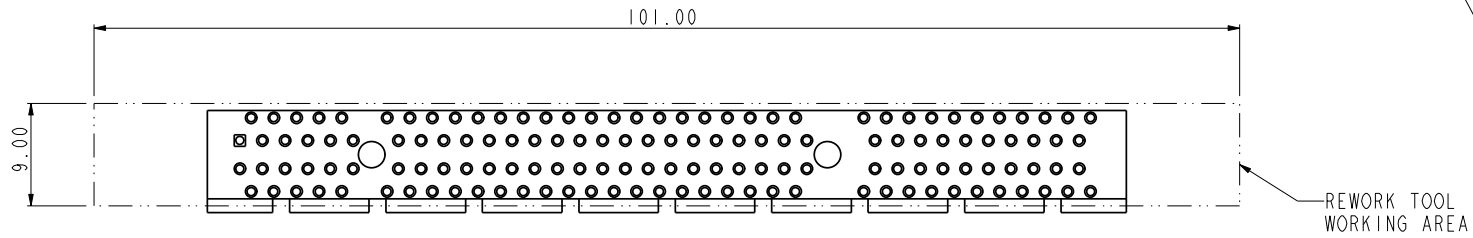
STATUS: Released

CUSTOMER DRAWING sheet 4 of 5  
Printed: Mar 15, 2011

Tous droits strictement reserves. Reproduction ou communication a des tiers interdite sous quelque forme que ce soit sans autorisation ecrite du proprietaire. Propriete de c FCI. Droits de reproduction FCI.



All rights strictly reserved. Reproduction or issue to third parties in any form whatever is not permitted without written authority from the proprietor. Property of FCI. Copyright FCI.



140P  
SCALE 1.500

		www.fciconnect.com		✓	tolerance	projection	MM
Dr	MAGGIE WU	04/20/05	Product family		size	A4	Scale
Eng	R Y LIU	04/20/05	Spec ref				1.000
Chr	PAUL WANG	04/20/05	Material		ECN	DG06-0249	
Appr	JOSEPH HSIA	04/20/05					
title			PCI Express ExpressModule CARD EDGE 140P PRESS FIT ASS'Y		dwg no	10055295	
catalog no			PDM: Rev:F		STATUS: Released	CUSTOMER	sheet 5 of 5
					Printed: Mar 15, 2011		
					Rev. F		

Компания «Life Electronics» занимается поставками электронных компонентов импортного и отечественного производства от производителей и со складов крупных дистрибьюторов Европы, Америки и Азии.

С конца 2013 года компания активно расширяет линейку поставок компонентов по направлению коаксиальный кабель, кварцевые генераторы и конденсаторы (керамические, пленочные, электролитические), за счёт заключения дистрибьюторских договоров

Мы предлагаем:

- Конкурентоспособные цены и скидки постоянным клиентам.
- Специальные условия для постоянных клиентов.
- Подбор аналогов.
- Поставку компонентов в любых объемах, удовлетворяющих вашим потребностям.
- Приемлемые сроки поставки, возможна ускоренная поставка.
- Доставку товара в любую точку России и стран СНГ.
- Комплексную поставку.
- Работу по проектам и поставку образцов.
- Формирование склада под заказчика.
- Сертификаты соответствия на поставляемую продукцию (по желанию клиента).
- Тестирование поставляемой продукции.
- Поставку компонентов, требующих военную и космическую приемку.
- Входной контроль качества.
- Наличие сертификата ISO.

В составе нашей компании организован Конструкторский отдел, призванный помогать разработчикам, и инженерам.

Конструкторский отдел помогает осуществить:

- Регистрацию проекта у производителя компонентов.
- Техническую поддержку проекта.
- Защиту от снятия компонента с производства.
- Оценку стоимости проекта по компонентам.
- Изготовление тестовой платы монтаж и пусконаладочные работы.



Тел: +7 (812) 336 43 04 (многоканальный)  
Email: [org@lifeelectronics.ru](mailto:org@lifeelectronics.ru)