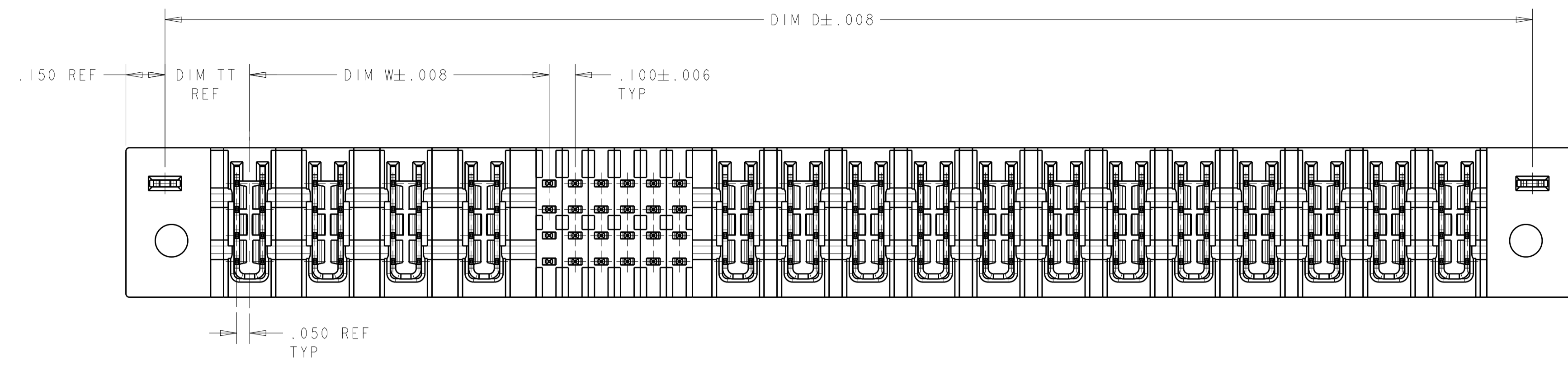
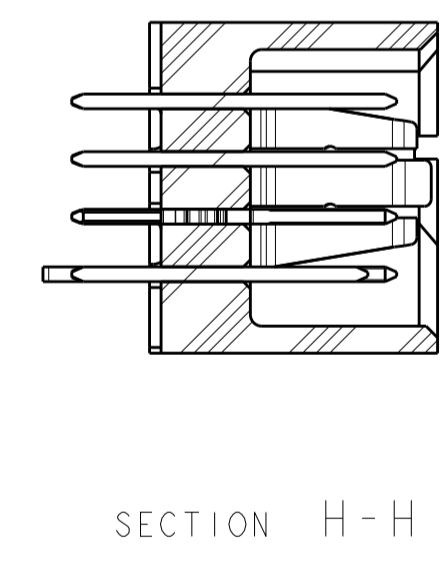
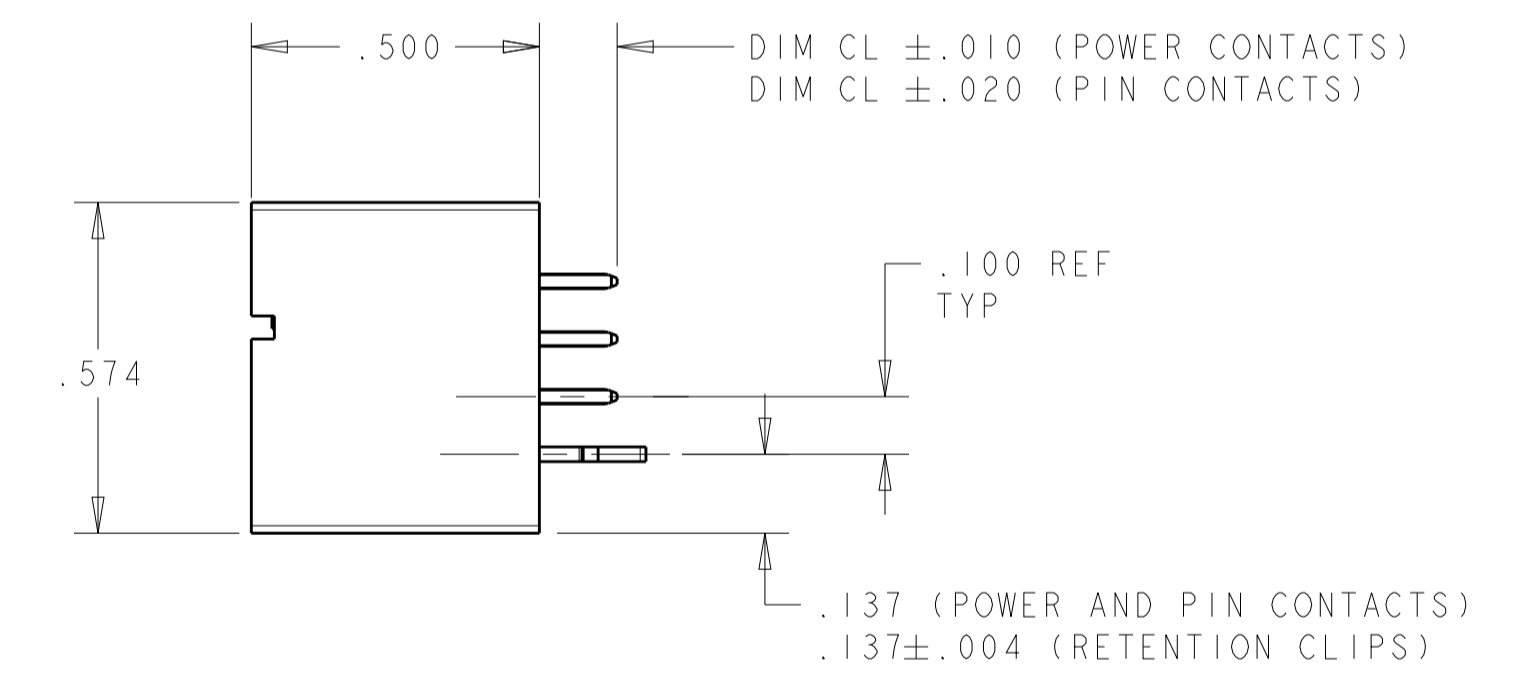
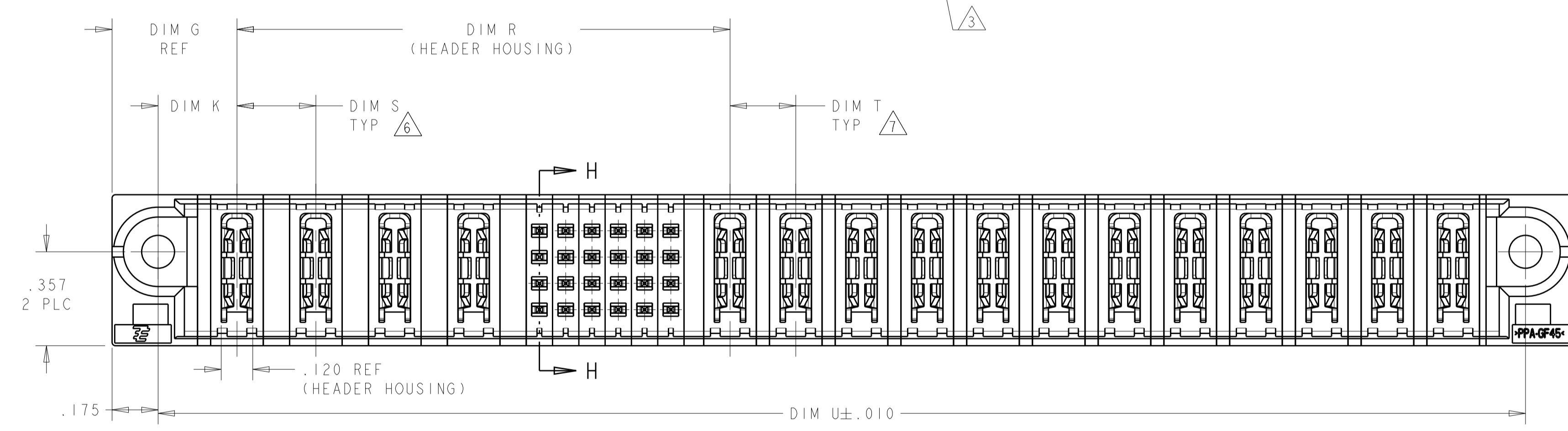
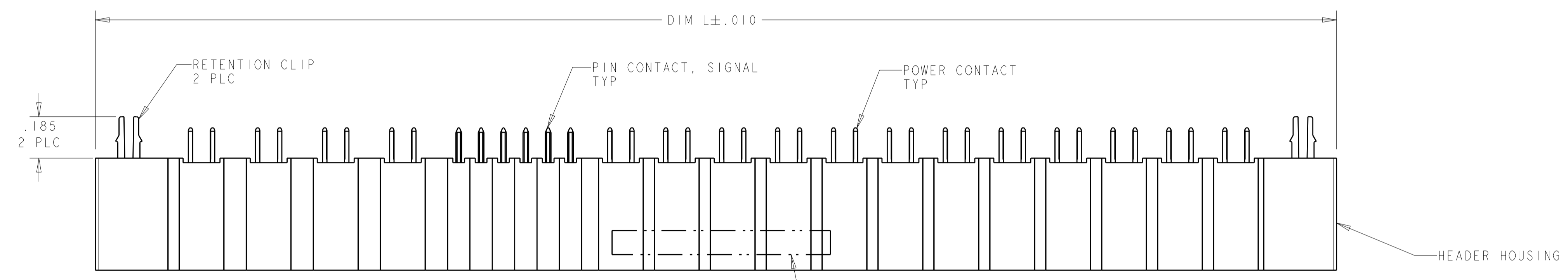


| LOC |     | DIST                       |           | REVISIONS |      |  |  |
|-----|-----|----------------------------|-----------|-----------|------|--|--|
| P   | LTN | DESCRIPTION                | DATE      | DWN       | APVD |  |  |
| J3  |     | ADDED NEW DASH -23.        | 06DEC2010 | IL        | SZ   |  |  |
| J4  |     | ADDED NEW DASH NUMBER 2--4 | 12AUG2012 | CZ        | SZ   |  |  |
| J6  |     | REV PER ECR-13-014088      | 06SEP2013 | CZ        | SZ   |  |  |
| J7  |     | ADD NEW DASH NUMBER 2-5    | 10FEB2015 | CZ        | SZ   |  |  |



- △ 1 HEADER HOUSING: THERMO PLASTIC, BLACK, UL94 V-O; CONTACTS AND RETENTION CLIPS: COPPER ALLOY.
- △ 2 CONTACT PLATING: NOBLE METAL PLATING ON CONTACT FUNCTIONAL AREA OF POWER AND SIGNAL CONTACTS
- △ 3 "AMP", PART NUMBER AND DATE CODE MARKED IN THIS AREA. PARTS UNDER 2.50 LONG MAY BE MARKED ON BOTH SIDES.
- △ 4 DATUM AND BASIC DIMENSIONS ESTABLISHED BY CUSTOMER.
- △ 5 PCB - ALL HOLE DIAMETERS ARE FINISHED HOLE SIZES.
- △ 6 APPLIES TO POWER MODULES ON LEFT SIDE OF SIGNAL CAVITIES OF HOUSING.
- △ 7 APPLIES TO POWER MODULES ON RIGHT SIDE OF SIGNAL CAVITIES OF HOUSING.
- △ 8 MECHANICAL CONNECTOR KEEP OUT ZONE.



THIS DRAWING IS A CONTROLLED DOCUMENT.


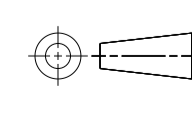
|                     |  |  |   |
|---------------------|--|--|---|
| DIMENSIONS:<br>INCH | TOLERANCES UNLESS OTHERWISE SPECIFIED:<br>0 PLC ±.<br>1 PLC ±.<br>2 PLC ±.<br>3 PLC ±.005<br>4 PLC ±.0020<br>ANGLES ±. | DWN: J. McCLINTON 22MAR2005<br>CHK: D. TROUT 22MAR2005<br>APVD: B. WHYNE 22MAR2005 | NAME: VERTICAL HEADER ASSEMBLY W/ GUIDES AND SOLDER TAILS MULTI-BEAM XL |
| MATERIAL: △ 1       | FINISH: △ 2  | PRODUCT SPEC: 108-1973<br>APPLICATION SPEC: 114-13038<br>WEIGHT: -                 | SIZE: A100779 C=6600330<br>SCALE: 4:1 SHEET 1 OF 10 REV J7              |
| CUSTOMER DRAWING    |  | RESTRICTED TO: -   |   |

4805 (3/11)

THIS DRAWING IS UNPUBLISHED. RELEASED FOR PUBLICATION 20  
 © COPYRIGHT 20 TE CONNECTIVITY ALL RIGHTS RESERVED.

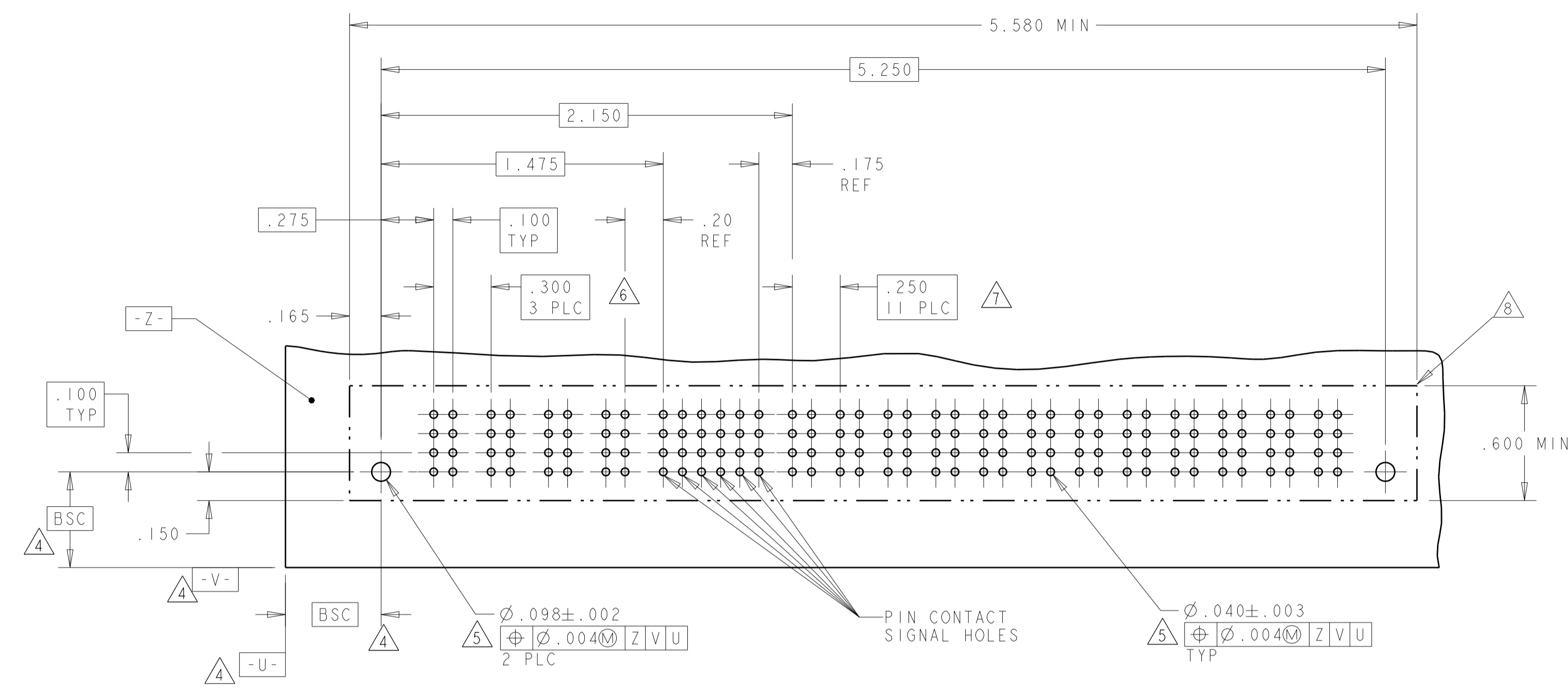
| LOC | DIST | REVISIONS |     |             |      |     |      |
|-----|------|-----------|-----|-------------|------|-----|------|
|     |      | P         | LTN | DESCRIPTION | DATE | DWN | APVD |
| ES  | 00   | -         |     | SEE SHEET 1 | -    | -   | -    |
|     |      |           |     |             |      |     |      |
|     |      |           |     |             |      |     |      |

| DIM "CL" | DIM "TT" | DIM "W" | DIM "U" | DIM "T" | DIM "S" | DIM "R" | DIM "L" | DIM "K" | DIM "G" | DIM "D" | RETENTION CLIP | DESCRIPTION       | PART NUMBER |
|----------|----------|---------|---------|---------|---------|---------|---------|---------|---------|---------|----------------|-------------------|-------------|
| .135     | .300     | .175    | 1.600   | -       | -       | 1.050   | 1.950   | .275    | .450    | 1.650   | YES            | 1P + 32S + 1P     | 2-6600330-5 |
| .135     | .300     | .175    | 1.300   | -       | -       | .750    | 1.650   | .275    | .450    | 1.350   | YES            | 1P + 20S + 1P     | 2-6600330-4 |
| .135     | .175     | -       | .400    | -       | -       | -       | .750    | .200    | .375    | .450    | YES            | 4S                | 2-6600330-3 |
| .135     | .300     | .425    | 1.600   | .250    | .250    | .800    | 1.950   | .275    | .450    | 1.650   | YES            | 2P + 12S + 2P     | 2-6600330-1 |
| .135     | .300     | .925    | 3.200   | .250    | .250    | 1.900   | 3.550   | .275    | .450    | 3.250   | YES            | 4P + 36S + 4P     | 2-6600330-0 |
| .135     | .300     | .975    | 3.000   | .250    | .250    | 1.700   | 3.350   | .275    | .450    | 3.050   | YES            | 4P + 24S + 4P     | 1-6600330-9 |
| .135     | .300     | .375    | 2.400   | .200    | .200    | 1.650   | 2.750   | .275    | .450    | 2.450   | YES            | 2HDP + 48S + 2HDP | 1-6600330-3 |
| .135     | .300     | .675    | 2.400   | .250    | .250    | 1.350   | 2.750   | .275    | .450    | 2.450   | YES            | 3P + 24S + 3P     | 1-6600330-2 |
| .135     | .325     | 1.700   | 4.500   | .300    | .300    | 2.400   | 4.850   | .300    | .475    | 4.550   | YES            | 6ACP + 24S + 6ACP | 1-6600330-1 |
| .135     | .300     | 2.175   | 5.400   | .250    | .250    | 2.850   | 5.750   | .275    | .450    | 5.450   | YES            | 9P + 24S + 9P     | 1-6600330-0 |
| .135     | .300     | .925    | 2.900   | .250    | .250    | 1.600   | 3.250   | .275    | .450    | 2.950   | NO             | 4P + 24S + 4P     | 6600330-9   |
| .135     | .300     | .975    | 3.250   | .250    | .250    | 1.700   | 3.600   | .275    | .450    | 3.300   | YES            | 4P + 24S + 5P     | 6600330-8   |
| .165     | .300     | .425    | 1.900   | .250    | .250    | 1.100   | 2.250   | .275    | .450    | 1.950   | YES            | 2P + 24S + 2P     | 6600330-6   |
| .135     | .300     | 1.375   | 4.000   | .200    | .200    | 2.250   | 4.350   | .275    | .450    | 4.050   | YES            | 7P + 32S + 7P     | 6600330-5   |
| .135     | .325     | .225    | 1.575   | -       | -       | .950    | 1.925   | .300    | .475    | 1.625   | YES            | 1P + 24S + 1P     | 6600330-4   |
| .135     | .300     | 1.975   | 4.200   | .300    | .250    | 2.725   | 4.550   | .275    | .450    | 4.250   | YES            | 8P + 24S + 4ACP   | 6600330-3   |
| .135     | .325     | .250    | 2.500   | -       | -       | 1.900   | 2.850   | .300    | .475    | 2.550   | YES            | 1P + 60S + 1P     | 6600330-2   |
| .135     | .325     | 1.150   | 5.200   | .250    | .300    | 1.875   | 5.550   | .300    | .475    | 5.250   | YES            | 4ACP + 24S + 12P  | 6600330-1   |

|   |  |                                  |  |
|---|--|----------------------------------|--|
| THIS DRAWING IS A CONTROLLED DOCUMENT.  |  | DWN<br>J. McCLINTON<br>22MAR2005 |  TE Connectivity<br>VERTICAL HEADER ASSEMBLY<br>W/ GUIDES AND SOLDER TAILS<br>MULTI-BEAM XL |
| DIMENSIONS:<br>INCH   |  | CHK<br>D. TROUT<br>22MAR2005     |  |
|  0 PLC ±.<br>1 PLC ±.<br>2 PLC ±.<br>3 PLC ±.<br>4 PLC ±.002<br>ANGLES ±.002 |  | APVD<br>B. WHYNE<br>22MAR2005    | NAME<br>PRODUCT SPEC<br>108-1973<br>APPLICATION SPEC<br>114-13038  |
| MATERIAL  |  | WEIGHT                           | SIZE<br>A100779  |
|   |  | FINISH                           | SCALE<br>4:1   |
|   |  | CUSTOMER DRAWING                 | SHEET 2 OF 10  |
|   |  |                                  | REV J7   |

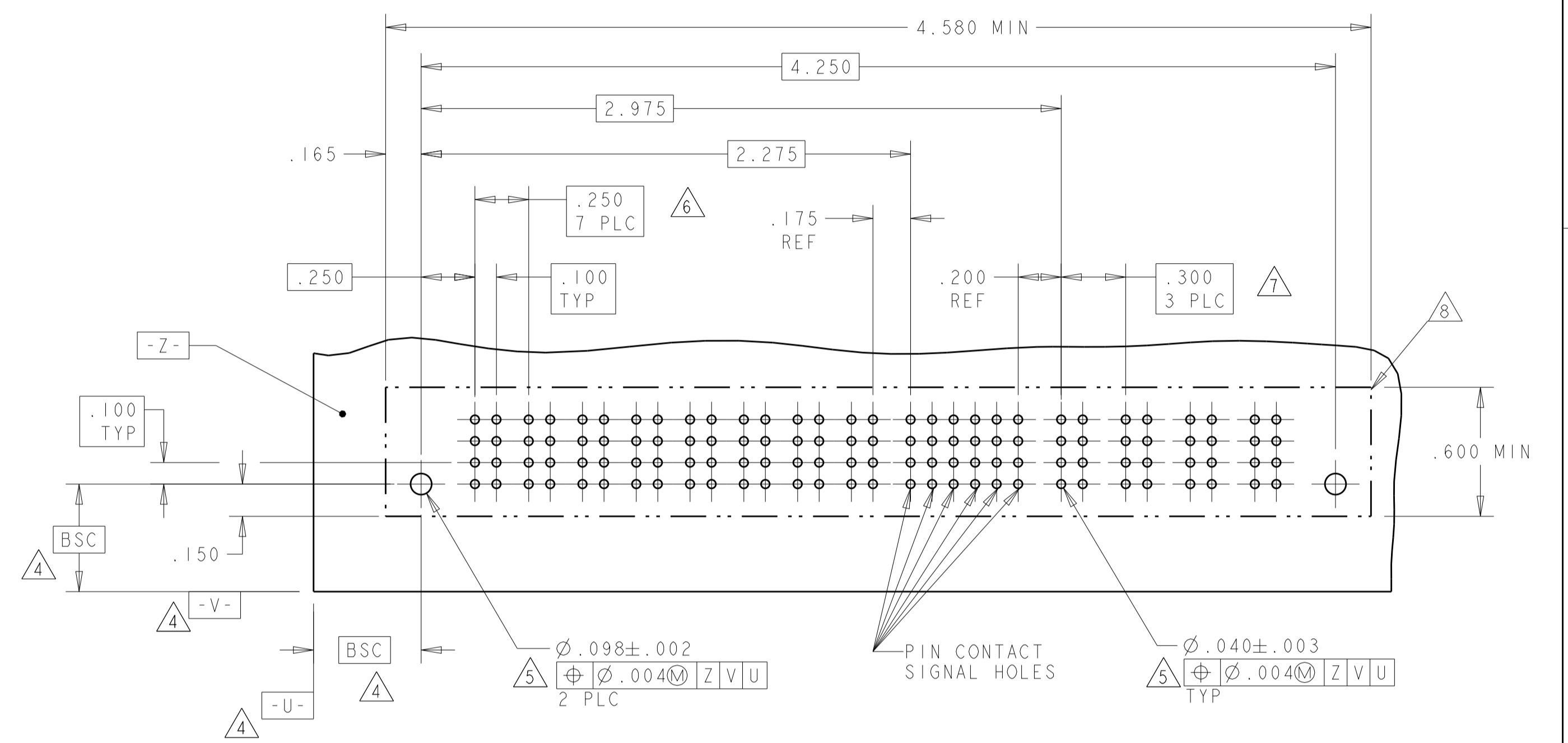
| LOC | DIST | REV | DATE | APP'D |
|-----|------|-----|------|-------|
| ES  | 00   |     |      |       |

| PART NUMBER | ROWS | POWER |    |    |    | SIGNAL |    |    |    |    |    | POWER |    |    |    |    |     |     |     |     |     |     |     |    |  |  |  |    |  |
|-------------|------|-------|----|----|----|--------|----|----|----|----|----|-------|----|----|----|----|-----|-----|-----|-----|-----|-----|-----|----|--|--|--|----|--|
|             |      | P1    | P2 | P3 | P4 | 1      | 2  | 3  | 4  | 5  | 6  | P5    | P6 | P7 | P8 | P9 | P10 | P11 | P12 | P13 | P14 | P15 | P16 |    |  |  |  |    |  |
| 6600330-1   | D    | SZ    | SZ | SZ | SZ | SV     | SV | SV | SV | SV | SV | SV    | SV | SV | SV | SV | SV  | SV  | SV  | SV  | SV  | SV  | SV  | SV |  |  |  |    |  |
|             | C    |       |    |    |    | SV     | SV | SV | SV | SV | SV | SV    | SV | SV | SV | SV | SV  | SV  | SV  | SV  | SV  | SV  | SV  | SV |  |  |  |    |  |
|             | B    |       |    |    |    | SV     | SV | SV | SV | SV | SV | SV    | SV | SV | SV | SV | SV  | SV  | SV  | SV  | SV  | SV  | SV  | SV |  |  |  |    |  |
|             | A    |       |    |    |    | SV     | SV | SV | SV | SV | SV | SV    | SV | SV | SV | SV | SV  | SV  | SV  | SV  | SV  | SV  | SV  | SV |  |  |  |    |  |
| 4P+24S+12P  |      | HD    |    |    |    |        |    |    |    |    |    |       |    |    |    |    |     |     |     |     |     |     |     |    |  |  |  | HD |  |



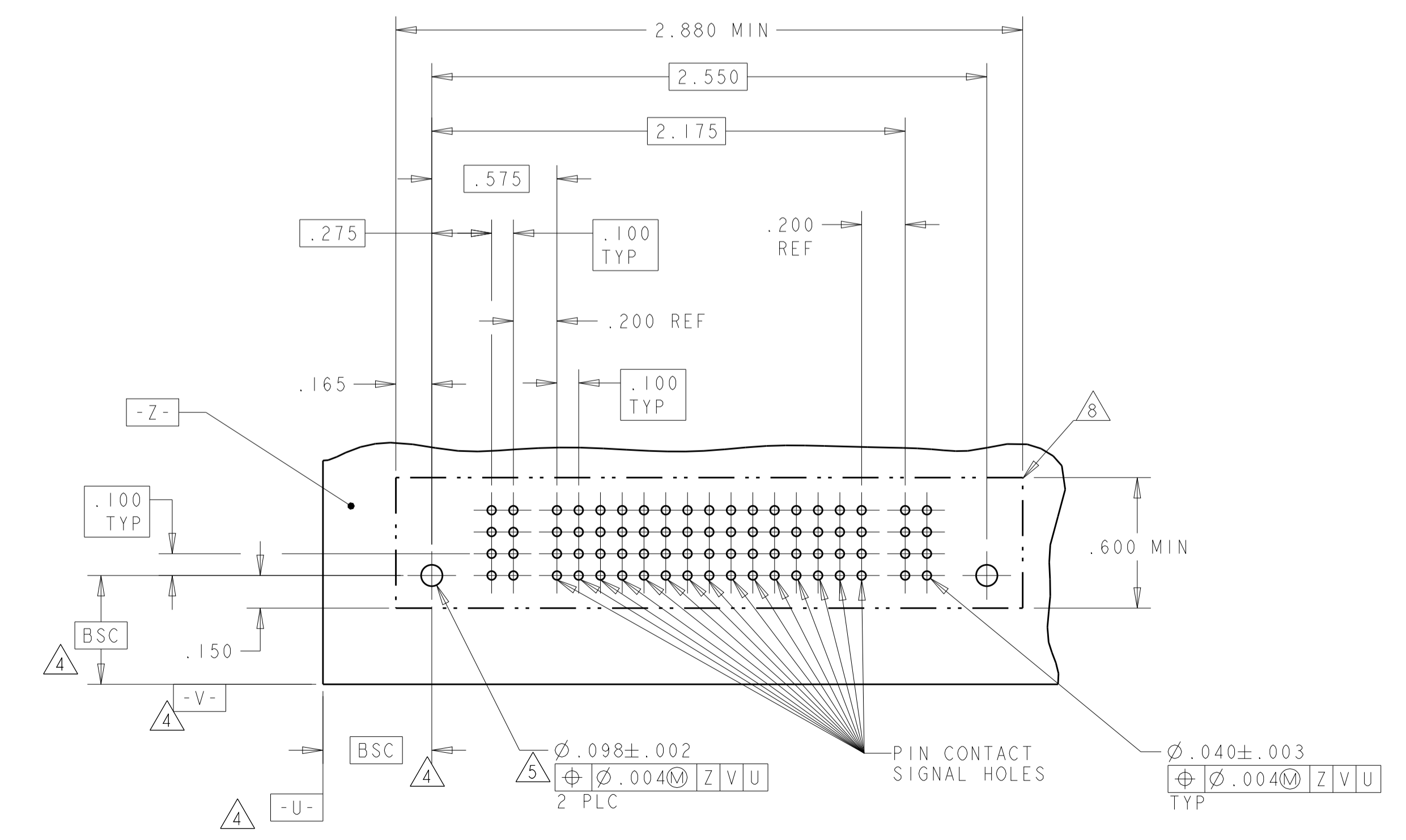
RECOMMENDED PCB LAYOUT 6600330-1  
SCALE 2:1

| PART NUMBER | ROWS | POWER |    |    |    | SIGNAL |    |    |    |    |    | POWER |     |     |     |    |    |    |    |    |  |
|-------------|------|-------|----|----|----|--------|----|----|----|----|----|-------|-----|-----|-----|----|----|----|----|----|--|
|             |      | P1    | P2 | P3 | P4 | 1      | 2  | 3  | 4  | 5  | 6  | P9    | P10 | P11 | P12 |    |    |    |    |    |  |
| 6600330-3   | D    | SZ    | SZ | SZ | SZ | SV     | SV | SV | SV | SV | SV | SV    | SV  | SV  | SV  | SV | SV | SV | SV |    |  |
|             | C    |       |    |    |    | SV     | SV | SV | SV | SV | SV | SV    | SV  | SV  | SV  | SV | SV | SV | SV |    |  |
|             | B    |       |    |    |    | SV     | SV | SV | SV | SV | SV | SV    | SV  | SV  | SV  | SV | SV | SV | SV |    |  |
|             | A    |       |    |    |    | SV     | SV | SV | SV | SV | SV | SV    | SV  | SV  | SV  | SV | SV | SV | SV |    |  |
| 8P+24S+4ACP |      | HD    |    |    |    |        |    |    |    |    |    |       |     |     |     |    |    |    |    | HD |  |



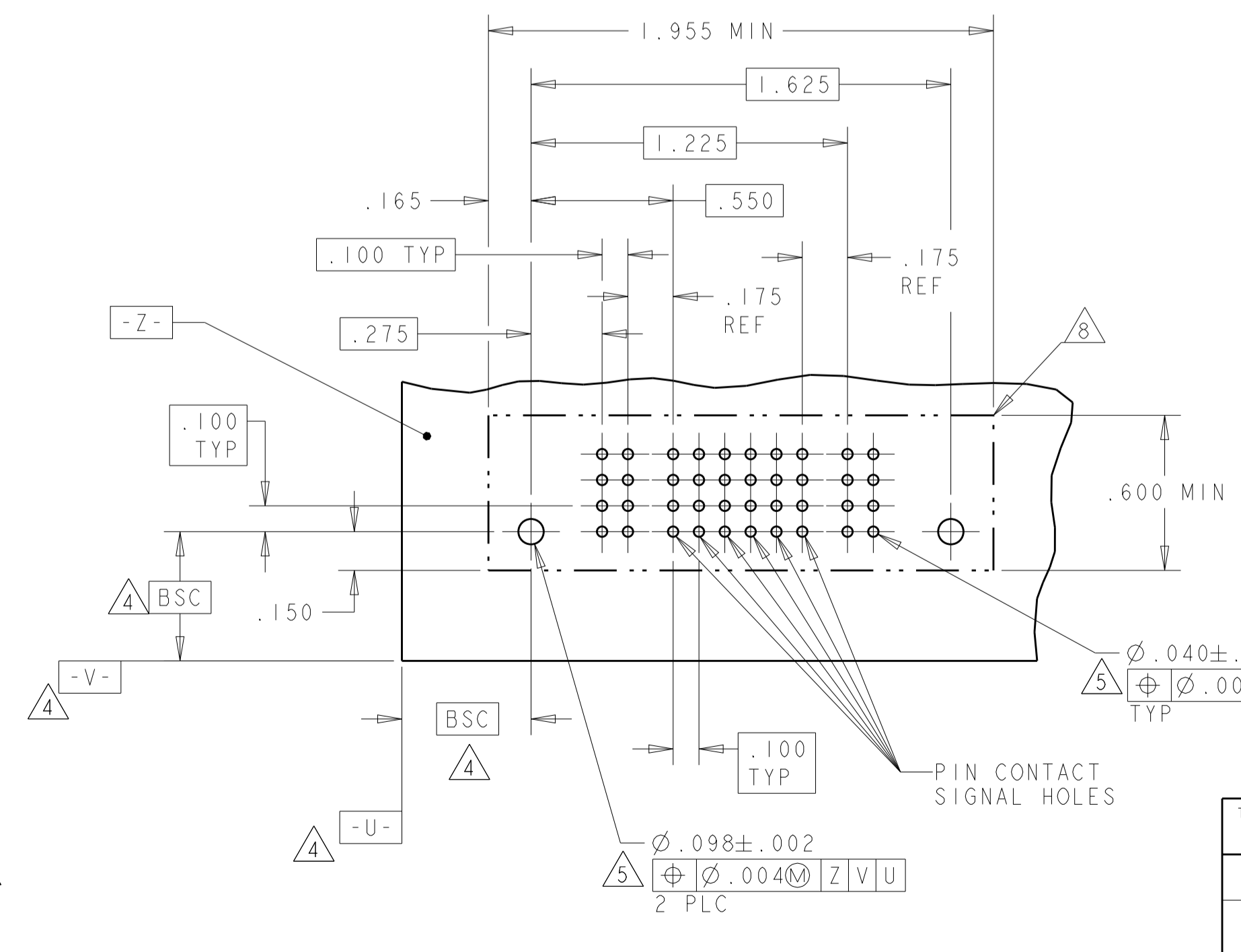
RECOMMENDED PCB LAYOUT 6600330-3  
SCALE 2:1

| PART NUMBER | ROWS | SIGNAL |    |    |    |    |    |    |    |    |    |    |    |    |    | POWER |    |    |    |
|-------------|------|--------|----|----|----|----|----|----|----|----|----|----|----|----|----|-------|----|----|----|
|             |      | 1      | 2  | 3  | 4  | 5  | 6  | 7  | 8  | 9  | 10 | 11 | 12 | 13 | 14 | 15    | P2 |    |    |
| 6600330-2   | D    | SZ     | SV | SV | SV | SV | SV | SV | SV | SV | SV | SV | SV | SV | SV | SV    | SV | SV | SZ |
|             | C    |        | SV | SV | SV | SV | SV | SV | SV | SV | SV | SV | SV | SV | SV | SV    | SV |    |    |
|             | B    |        | SV | SV | SV | SV | SV | SV | SV | SV | SV | SV | SV | SV | SV | SV    | SV |    |    |
|             | A    |        | SV | SV | SV | SV | SV | SV | SV | SV | SV | SV | SV | SV | SV | SV    | SV |    |    |
| 1P+60S+1P   |      | HD     |    |    |    |    |    |    |    |    |    |    |    |    |    |       |    | HD |    |



RECOMMENDED PCB LAYOUT 6600330-2  
SCALE 2:1

| PART NUMBER | ROWS | SIGNAL |    |    |    |    | POWER |    |    |  |
|-------------|------|--------|----|----|----|----|-------|----|----|--|
|             |      | 1      | 2  | 3  | 4  | 5  | 6     | P2 |    |  |
| 6600330-4   | D    | SZ     | SV | SV | SV | SV | SV    | SV | SZ |  |
|             | C    |        | SV | SV | SV | SV | SV    | SV |    |  |
|             | B    |        | SV | SV | SV | SV | SV    | SV |    |  |
|             | A    |        | SV | SV | SV | SV | SV    | SV |    |  |
| 1P+24S+1P   |      | HD     |    |    |    |    |       |    | HD |  |



RECOMMENDED PCB LAYOUT 6600330-4  
SCALE 2:1

| MATING SEQUENCE | DESCRIPTION    | IDENTIFIER |
|-----------------|----------------|------------|
| -               | RETENTION CLIP | HD         |
| STANDARD        | SIGNAL CONTACT | SV or MV   |
| MLBF            | SIGNAL CONTACT | SS or MS   |
| -               | POWER CONTACT  | SZ or MP   |

THIS DRAWING IS A CONTROLLED DOCUMENT.

|                  |  |             |             |             |             |             |              |
|------------------|--|-------------|-------------|-------------|-------------|-------------|--------------|
| DIMENSIONS: INCH | TOLERANCES UNLESS OTHERWISE SPECIFIED: | 0 PLC ±.005 | 1 PLC ±.005 | 2 PLC ±.005 | 3 PLC ±.005 | 4 PLC ±.005 | ANGLES ±.020 |
|------------------|--|-------------|-------------|-------------|-------------|-------------|--------------|

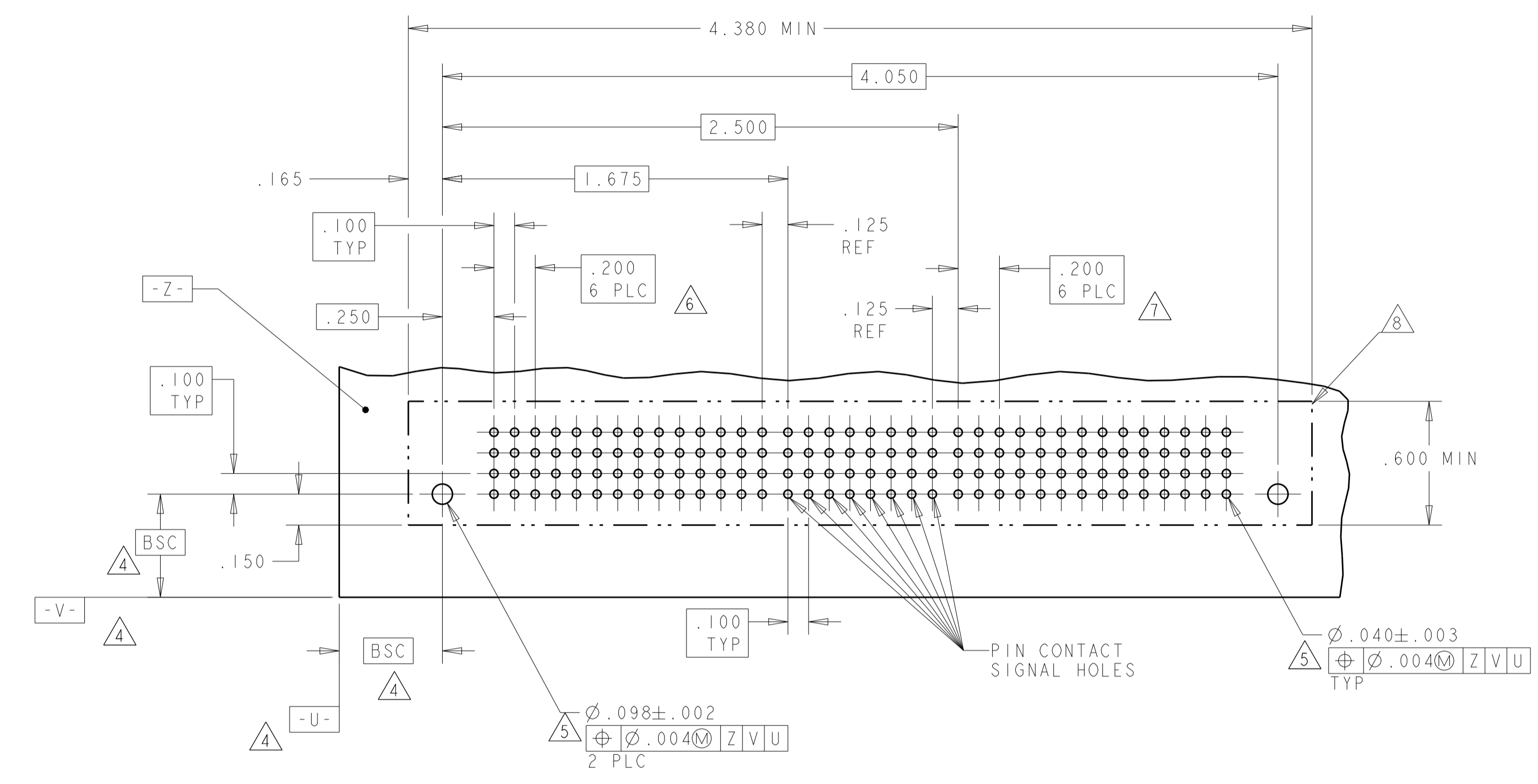
MATERIAL: - FINISH: -

|                   |           |                  |           |                 |           |
|-------------------|-----------|------------------|-----------|-----------------|-----------|
| OWN: J. McCLINTON | 22MAR2005 | CHK: D. TROUT    | 22MAR2005 | APP'D: B. MHYNE | 22MAR2005 |
| PRODUCT SPEC      | 108-1973  | APPLICATION SPEC | 114-13038 | WEIGHT          |           |
| CUSTOMER DRAWING  |           |                  | SCALE 4:1 | SHEET 3 OF 10   | REV J7    |

NAME: VERTICAL HEADER ASSEMBLY W/ GUIDES AND SOLDER TAILS MULTI-BEAM XL  
 SIZE: CAGE CODE DRAWING NO: A100779 ©=6600330

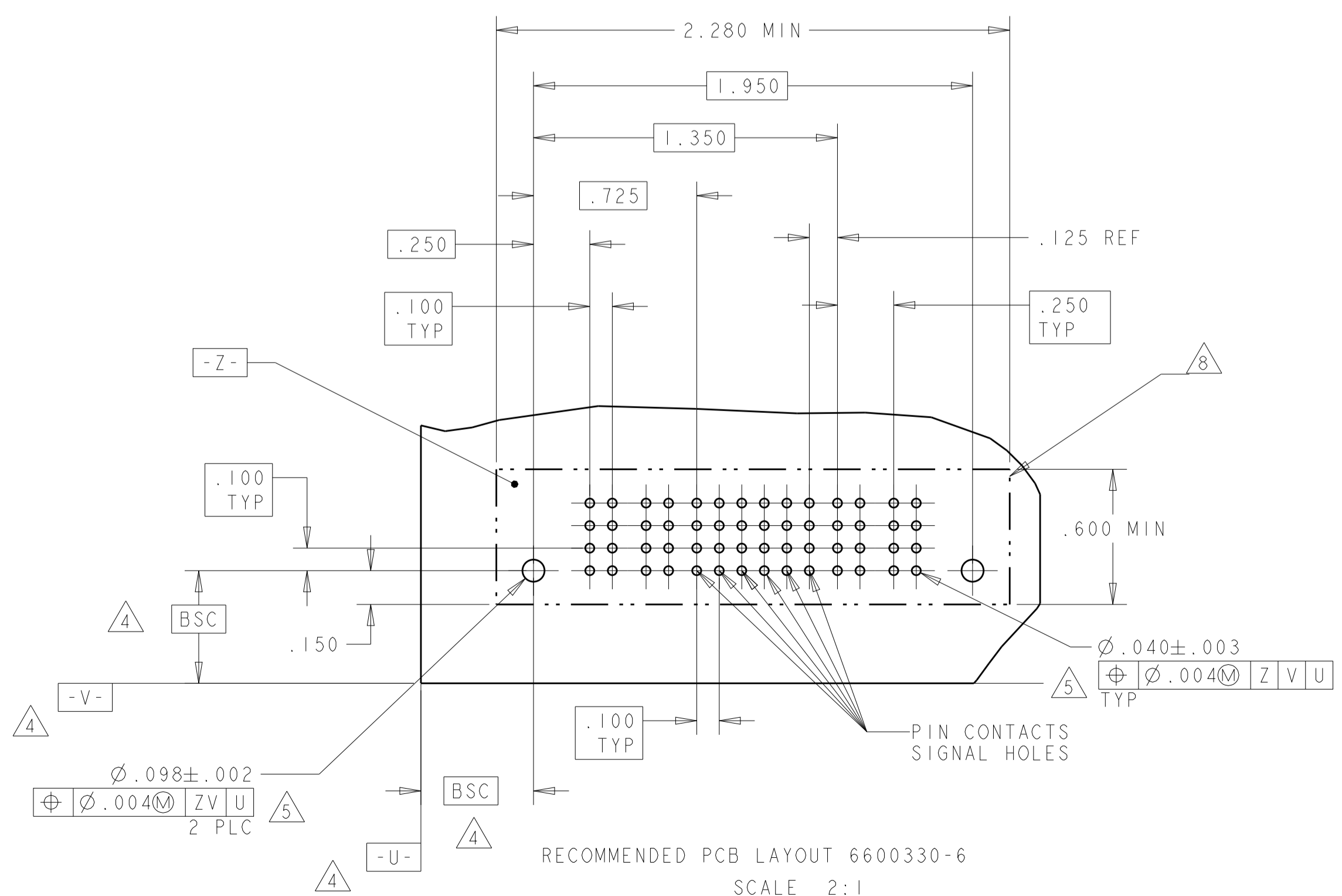
| LOC | DIST | REV | DATE | BY | APPV |
|-----|------|-----|------|----|------|
| ES  | 00   |     |      |    |      |

| PART NUMBER | ROWS | POWER |    |    |    |    |    | SIGNAL |    |    |    |    |    |    |    | POWER |    |    |     |     |     |     |     |  |  |  |  |  |  |    |
|-------------|------|-------|----|----|----|----|----|--------|----|----|----|----|----|----|----|-------|----|----|-----|-----|-----|-----|-----|--|--|--|--|--|--|----|
|             |      | P1    | P2 | P3 | P4 | P5 | P6 | P7     | 1  | 2  | 3  | 4  | 5  | 6  | 7  | 8     | P8 | P9 | P10 | P11 | P12 | P13 | P14 |  |  |  |  |  |  |    |
| 6600330-5   | D    | SZ    | SZ | SZ | SZ | SZ | SZ | SV     | SV | SV | SV | SV | SV | SV | SV | SZ    | SZ | SZ | SZ  | SZ  | SZ  | SZ  |     |  |  |  |  |  |  |    |
|             | SV   |       |    |    |    |    |    | SV     | SV | SV | SV | SV | SV | SV |    |       |    |    |     |     |     |     |     |  |  |  |  |  |  |    |
|             | SV   |       |    |    |    |    |    | SV     | SV | SV | SV | SV | SV | SV |    |       |    |    |     |     |     |     |     |  |  |  |  |  |  |    |
|             | SV   |       |    |    |    |    |    | SV     | SV | SV | SV | SV | SV | SV |    |       |    |    |     |     |     |     |     |  |  |  |  |  |  |    |
| 7P+32S+7P   | HD   |       |    |    |    |    |    |        |    |    |    |    |    |    |    |       |    |    |     |     |     |     |     |  |  |  |  |  |  | HD |



RECOMMENDED PCB LAYOUT 6600330-5  
 SCALE 2:1

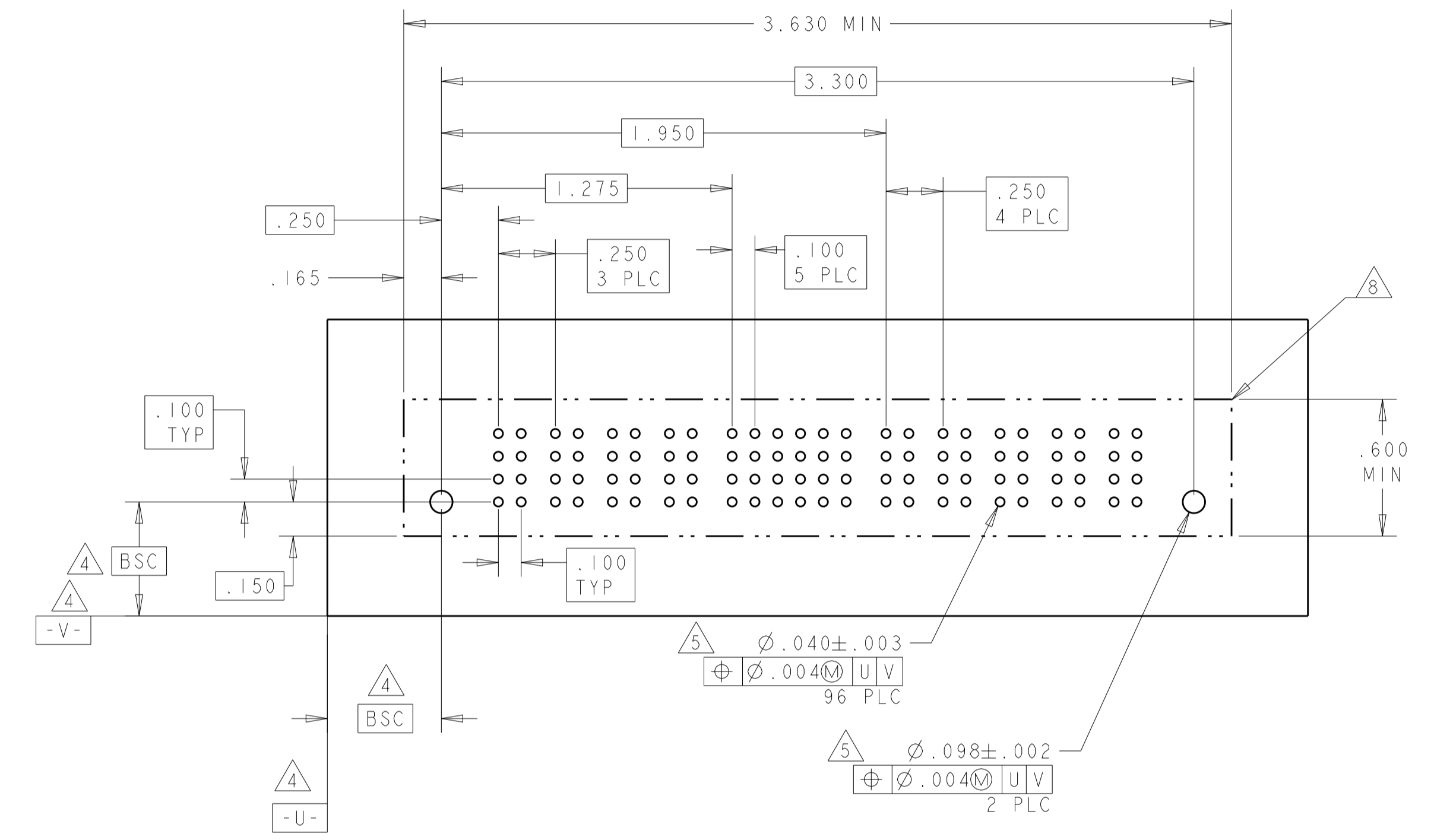
| PART NUMBER | ROWS | POWER |    | SIGNAL |    |    |    |    |    | POWER |    |    |
|-------------|------|-------|----|--------|----|----|----|----|----|-------|----|----|
|             |      | P1    | P2 | 1      | 2  | 3  | 4  | 5  | 6  | P3    | P4 |    |
| 6600330-6   | D    | MP    | MP | MV     | MV | MS | MV | MV | MV | MP    | MP |    |
|             | MV   |       |    | MV     | MV | MV | MV | MV |    |       |    |    |
|             | MV   |       |    | MV     | MS | MV | MV | MV |    |       |    |    |
|             | MV   |       |    | MV     | MV | MV | MV | MV |    |       |    |    |
| 2P+24S+2P   | HD   |       |    |        |    |    |    |    |    |       |    | HD |



RECOMMENDED PCB LAYOUT 6600330-6  
 SCALE 2:1

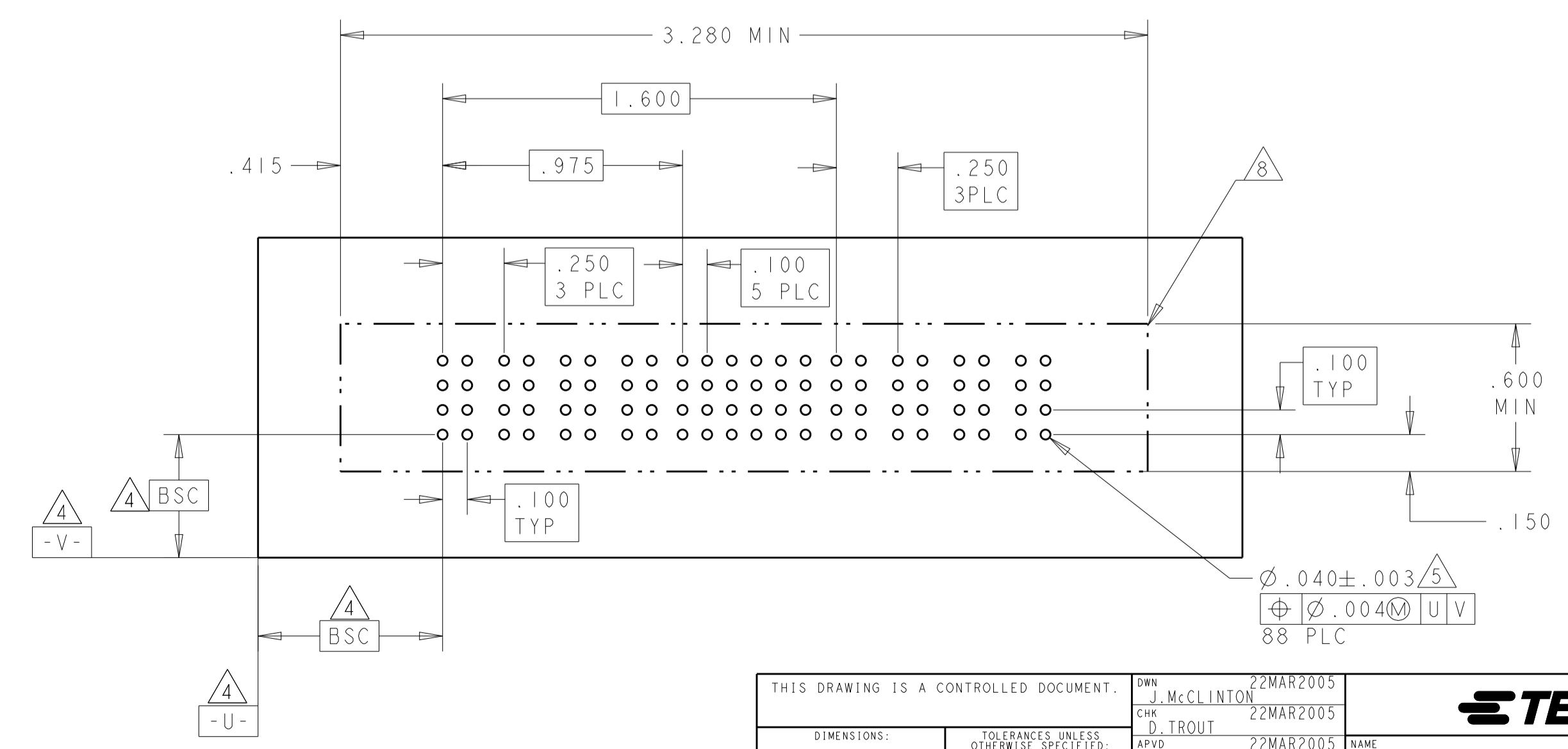
| PART NUMBER | ROWS | POWER |    |    |    | SIGNAL |    |    |    |    |   | POWER |    |    |    |    |    |
|-------------|------|-------|----|----|----|--------|----|----|----|----|---|-------|----|----|----|----|----|
|             |      | P1    | P2 | P3 | P4 | 1      | 2  | 3  | 4  | 5  | 6 | P5    | P6 | P7 | P8 | P9 |    |
| 6600330-8   | D    | SZ    | SZ | SZ | SZ | SS     | SV | SS | SV | SV |   | SZ    | SZ | SZ | SZ | SZ |    |
|             | SV   |       |    |    |    | SV     | SV | SV | SV |    |   |       |    |    |    |    |    |
|             | SV   |       |    |    |    | SS     | SV | SV | SV |    |   |       |    |    |    |    |    |
|             | SS   |       |    |    |    | SS     | SV | SV | SS |    |   |       |    |    |    |    |    |
| 4P+24S+5P   | HD   |       |    |    |    |        |    |    |    |    |   |       |    |    |    |    | HD |

NO CONTACTS LOADED



RECOMMENDED PCB LAYOUT FOR 6600330-8

| PART NUMBER | ROWS | POWER |    |    |    | SIGNAL |    |    |    |    |    | POWER |    |    |    |
|-------------|------|-------|----|----|----|--------|----|----|----|----|----|-------|----|----|----|
|             |      | P1    | P2 | P3 | P4 | 1      | 2  | 3  | 4  | 5  | 6  | P5    | P6 | P7 | P8 |
| 6600330-9   | D    | SZ    | SZ | SZ | SZ | SV     | SV | SV | SV | SV | SV | SZ    | SZ | SZ | SZ |
|             | SV   |       |    |    |    | SV     | SV | SV | SV | SV |    |       |    |    |    |
|             | SV   |       |    |    |    | SV     | SV | SV | SV | SV |    |       |    |    |    |
|             | SV   |       |    |    |    | SV     | SV | SV | SV | SV |    |       |    |    |    |
| 4P+24S+4P   |      |       |    |    |    |        |    |    |    |    |    |       |    |    |    |



THIS DRAWING IS A CONTROLLED DOCUMENT. DWG: J. McCLINTON 22MAR2005  
 CHK: D. TROUT 22MAR2005  
 APVD: B. MLYNE 22MAR2005

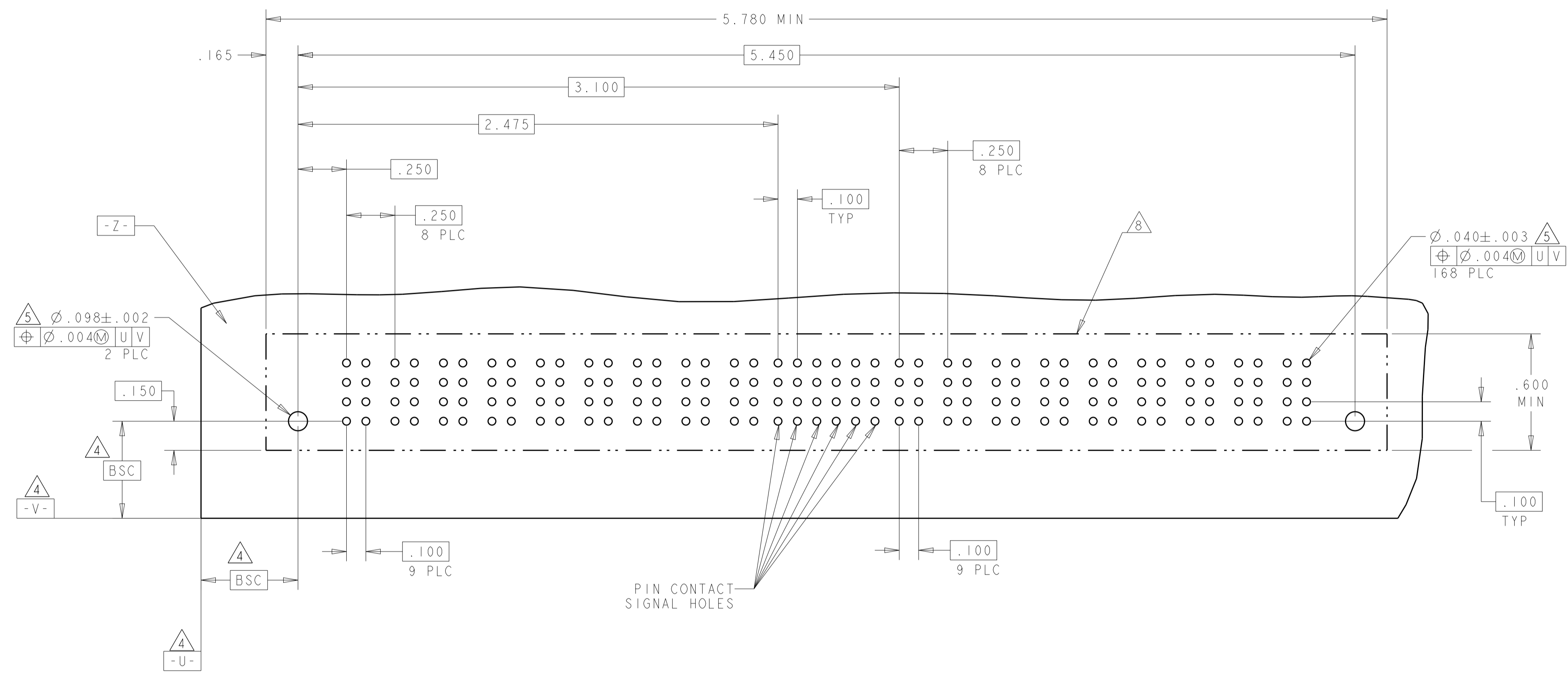
TE Connectivity

VERTICAL HEADER ASSEMBLY  
 W/ GUIDES AND SOLDER TAILS  
 MULTI-BEAM XL

SCALE 4:1 SHEET 4 OF 10 REV J7

| LOC | DIST | REVISIONS |     |             |      |     |      |
|-----|------|-----------|-----|-------------|------|-----|------|
|     |      | P         | LTN | DESCRIPTION | DATE | DWN | APVD |
| ES  | 00   | -         | -   | SEE SHEET 1 | -    | -   | -    |
|     |      |           |     |             |      |     |      |
|     |      |           |     |             |      |     |      |

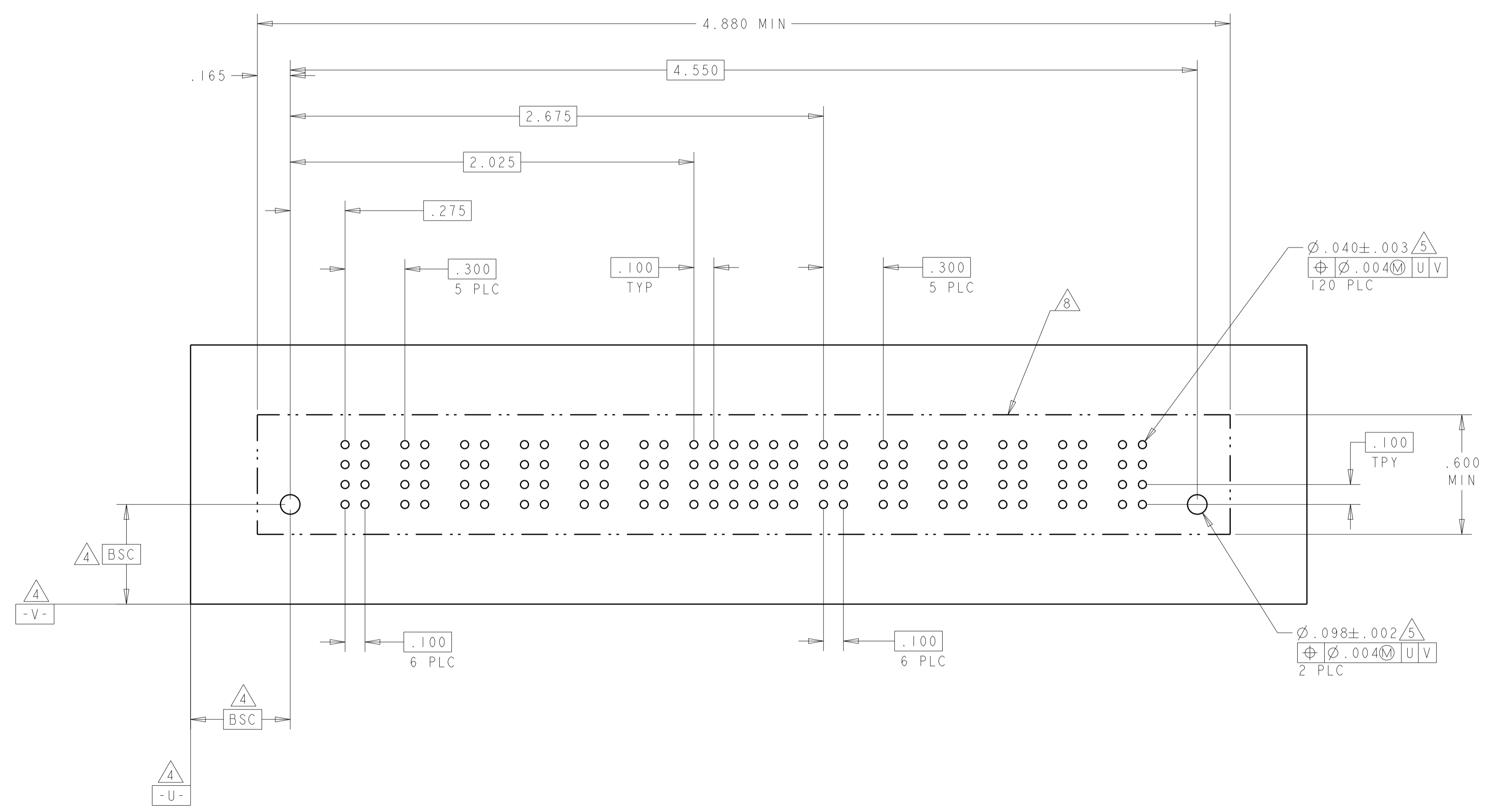
| PART NUMBER | ROWS | POWER |    |    |    |    |    |    |    |    | SIGNAL |    |    |    |    |    | POWER |     |     |     |     |     |     |     |     |  |  |  |    |
|-------------|------|-------|----|----|----|----|----|----|----|----|--------|----|----|----|----|----|-------|-----|-----|-----|-----|-----|-----|-----|-----|--|--|--|----|
|             |      | P1    | P2 | P3 | P4 | P5 | P6 | P7 | P8 | P9 | 1      | 2  | 3  | 4  | 5  | 6  | PI0   | PI1 | PI2 | PI3 | PI4 | PI5 | PI6 | PI7 | PI8 |  |  |  |    |
| I-6600330-0 | D    |       | SZ | SZ | SZ | SZ | SZ | SZ | SZ | SZ | SV     | SV | SV | SV | SV | SV | SZ    | SZ  | SZ  | SZ  | SZ  | SZ  | SZ  | SZ  | SZ  |  |  |  |    |
|             | C    |       |    |    |    |    |    |    |    |    | SV     | SV | SV | SV | SV | SV |       |     |     |     |     |     |     |     |     |  |  |  |    |
|             | B    |       |    |    |    |    |    |    |    |    | SV     | SV | SV | SV | SV | SV |       |     |     |     |     |     |     |     |     |  |  |  |    |
|             | A    |       |    |    |    |    |    |    |    |    | SV     | SV | SV | SV | SV | SV |       |     |     |     |     |     |     |     |     |  |  |  |    |
| 9P+24S+9P   | HD   |       |    |    |    |    |    |    |    |    |        |    |    |    |    |    |       |     |     |     |     |     |     |     |     |  |  |  | HD |



|  |  |                             |   |
|--|--|-----------------------------|---|
| THIS DRAWING IS A CONTROLLED DOCUMENT. |  | DWN: J. McCLINTON 22MAR2005 | TE Connectivity   |
| DIMENSIONS: INCH                       |  | CHK: D. TROUT 22MAR2005     |   |
| TOLERANCES UNLESS OTHERWISE SPECIFIED: |  | APVD: B. WYNE 22MAR2005     | NAME: VERTICAL HEADER ASSEMBLY W/ GUIDES AND SOLDER TAILS MULTI-BEAM XL |
|  |  | PRODUCT SPEC: 108-1973      | SIZE: A1  |
| MATERIAL: -                            |  | APPLICATION SPEC: 114-13038 | CAGE CODE: 6600330  |
| FINISH: -                              |  | WEIGHT: -                   | RESTRICTED TO: -  |
| CUSTOMER DRAWING                       |  | SCALE: 4:1                  | SHEET 5 OF 10 REV J7  |

| LOC | DIST | REVISIONS |     |             |      |     |      |
|-----|------|-----------|-----|-------------|------|-----|------|
|     |      | P         | LTN | DESCRIPTION | DATE | DWN | APVD |
| ES  | 00   | -         | -   | SEE SHEET 1 | -    | -   | -    |
|     |      |           |     |             |      |     |      |
|     |      |           |     |             |      |     |      |

| PART NUMBER   | ROWS | POWER |    |    |    |    |    | SIGNAL |    |    |    |    |    | POWER |    |    |     |     |     |    |
|---------------|------|-------|----|----|----|----|----|--------|----|----|----|----|----|-------|----|----|-----|-----|-----|----|
|               |      | P1    | P2 | P3 | P4 | P5 | P6 | 1      | 2  | 3  | 4  | 5  | 6  | P7    | P8 | P9 | P10 | P11 | P12 |    |
| I-6600330-1   | D    | SZ    | SZ | SZ | SZ | SZ | SZ | SV     | SV | SV | SV | SV | SV | SZ    | SZ | SZ | SZ  | SZ  | SZ  |    |
|               | C    |       |    |    |    |    |    | SS     | SS | SS | SS | SS | SS |       |    |    |     |     |     |    |
|               | B    |       |    |    |    |    |    | SS     | SS | SS | SS | SS | SS |       |    |    |     |     |     |    |
|               | A    |       |    |    |    |    |    | SS     | SS | SS | SS | SS | SS |       |    |    |     |     |     |    |
| 6ACP+24S+6ACP | HD   |       |    |    |    |    |    |        |    |    |    |    |    |       |    |    |     |     |     | HD |

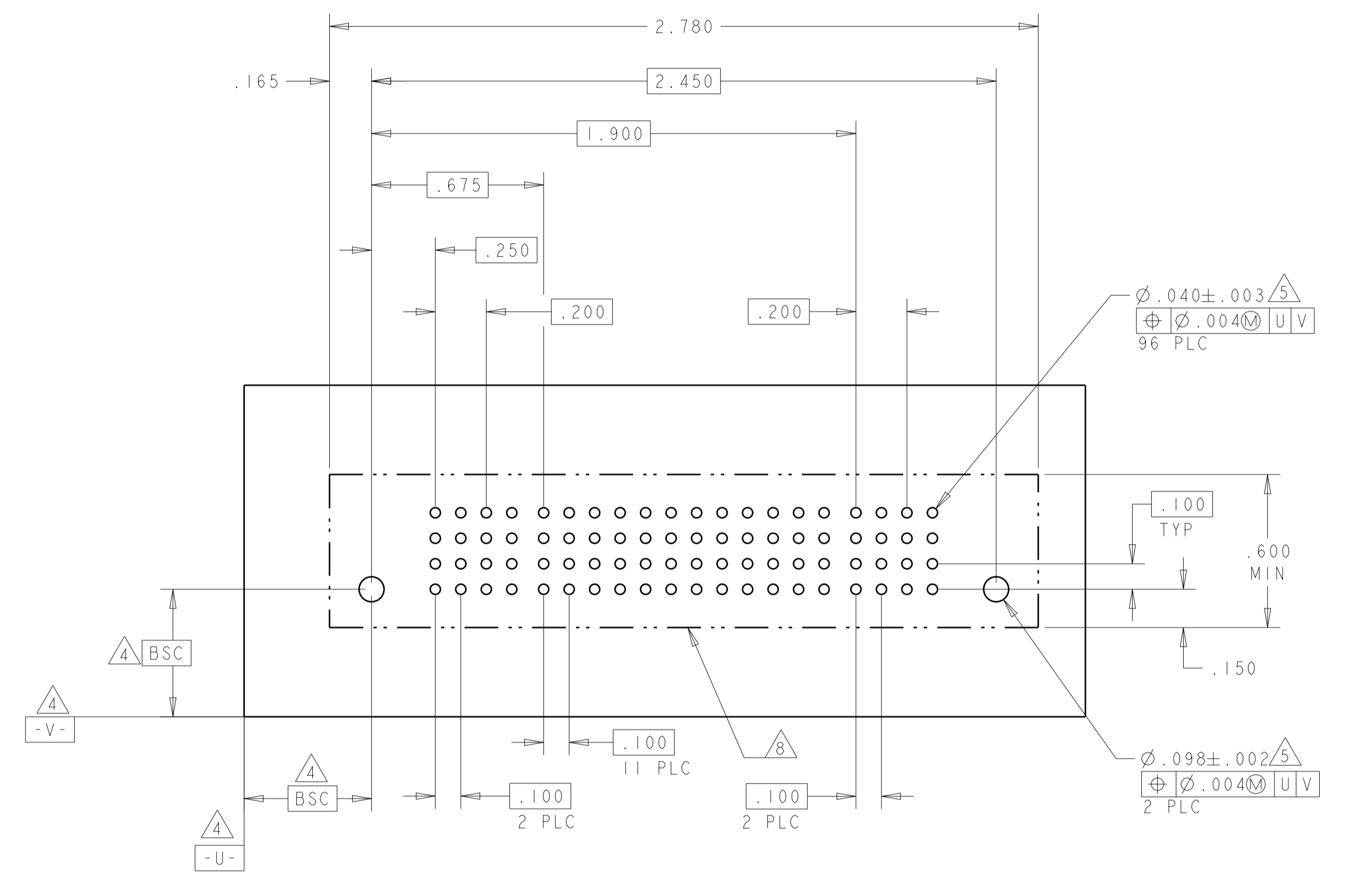
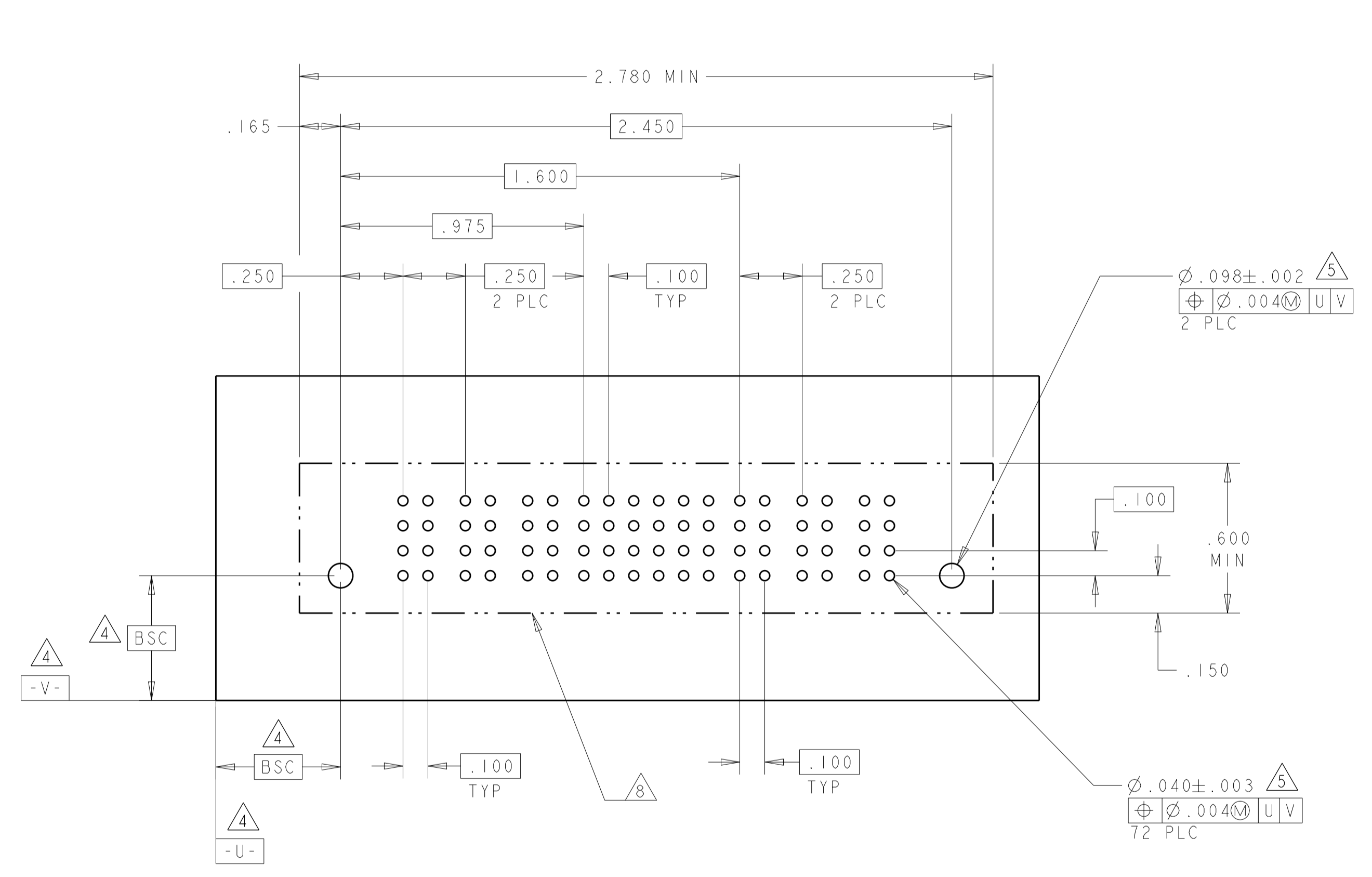


|  |        |                                  |   |       |   |       |   |       |   |       |       |        |        |        |    |                          |               |
|--|--------|----------------------------------|---|-------|---|-------|---|-------|---|-------|-------|--------|--------|--------|----|--------------------------|---------------|
| THIS DRAWING IS A CONTROLLED DOCUMENT.   |        | DWN<br>J. McCLINTON<br>22MAR2005 |   |       |   |       |   |       |   |       |       |        |        |        |    |                          |               |
| DIMENSIONS:<br>INCH  |        | CHK<br>D. TROUT<br>22MAR2005     |   |       |   |       |   |       |   |       |       |        |        |        |    |                          |               |
| TOLERANCES UNLESS OTHERWISE SPECIFIED:   |        | APVD<br>B. WHYNE<br>22MAR2005    | NAME<br>VERTICAL HEADER ASSEMBLY<br>W/ GUIDES AND SOLDER TAILS<br>MULTI-BEAM XL |       |   |       |   |       |   |       |       |        |        |        |    |                          |               |
| <table border="1"> <tr> <td>0 PLC</td> <td>±</td> </tr> <tr> <td>1 PLC</td> <td>±</td> </tr> <tr> <td>2 PLC</td> <td>±</td> </tr> <tr> <td>3 PLC</td> <td>±</td> </tr> <tr> <td>4 PLC</td> <td>±.005</td> </tr> <tr> <td>ANGLES</td> <td>±.0020</td> </tr> <tr> <td>FINISH</td> <td>AL</td> </tr> </table> |        | 0 PLC                            | ±   | 1 PLC | ± | 2 PLC | ± | 3 PLC | ± | 4 PLC | ±.005 | ANGLES | ±.0020 | FINISH | AL | PRODUCT SPEC<br>108-1973 | RESTRICTED TO |
| 0 PLC  | ±      |                                  |   |       |   |       |   |       |   |       |       |        |        |        |    |                          |               |
| 1 PLC  | ±      |                                  |   |       |   |       |   |       |   |       |       |        |        |        |    |                          |               |
| 2 PLC  | ±      |                                  |   |       |   |       |   |       |   |       |       |        |        |        |    |                          |               |
| 3 PLC  | ±      |                                  |   |       |   |       |   |       |   |       |       |        |        |        |    |                          |               |
| 4 PLC  | ±.005  |                                  |   |       |   |       |   |       |   |       |       |        |        |        |    |                          |               |
| ANGLES   | ±.0020 |                                  |   |       |   |       |   |       |   |       |       |        |        |        |    |                          |               |
| FINISH   | AL     |                                  |   |       |   |       |   |       |   |       |       |        |        |        |    |                          |               |
| MATERIAL   |        | APPLICATION SPEC<br>114-13038    | SIZE<br>A100779   |       |   |       |   |       |   |       |       |        |        |        |    |                          |               |
| WEIGHT   |        | CAGE CODE<br>6600330             | SCALE<br>4:1  |       |   |       |   |       |   |       |       |        |        |        |    |                          |               |
| CUSTOMER DRAWING   |        | SCALE<br>4:1                     | SHEET<br>6 OF 10  |       |   |       |   |       |   |       |       |        |        |        |    |                          |               |
|  |        | REV<br>J7                        |   |       |   |       |   |       |   |       |       |        |        |        |    |                          |               |

| LOC |    | DIST |      | REVISIONS   |      |     |      |
|-----|----|------|------|-------------|------|-----|------|
| ES  | 00 | REV  | DATE | DESCRIPTION | DATE | DWN | APVD |
|     |    | -    |      | SEE SHEET 1 |      |     |      |

| PART NUMBER   | ROWS | POWER |    |    | SIGNAL |    |    |    |    |    | POWER |    |    |
|---------------|------|-------|----|----|--------|----|----|----|----|----|-------|----|----|
|               |      | P1    | P2 | P3 | 1      | 2  | 3  | 4  | 5  | 6  | P4    | P5 | P6 |
| 1-6600330-2   | D    | SZ    | SZ | SZ | SV     | SV | SV | SV | SV | SV | SZ    | SZ | SZ |
|               | C    |       |    |    | SV     | SV | SV | SV | SV | SV |       |    |    |
|               | B    |       |    |    | SV     | SV | SV | SV | SV | SV |       |    |    |
|               | A    |       |    |    | SV     | SV | SV | SV | SV | SV |       |    |    |
| 3P + 24S + 3P |      |       |    |    |        |    |    |    |    |    |       |    |    |

| PART NUMBER       | ROWS | POWER |    | SIGNAL |    |    |    |    |    |    |    |    |    |    |    | POWER |    |    |    |    |
|-------------------|------|-------|----|--------|----|----|----|----|----|----|----|----|----|----|----|-------|----|----|----|----|
|                   |      | P1    | P2 | 1      | 2  | 3  | 4  | 5  | 6  | 7  | 8  | 9  | 10 | 11 | 12 | P3    | P4 |    |    |    |
| 1-6600330-3       | D    | SZ    | SZ | SV     | SV | SS | SS | SV | SS | SS | SV | SS | SS | SV | SS | SS    | SV | SS | SZ | SZ |
|                   | C    |       |    | SS     | SS | SV | SS | SS | SS | SS | SS | SV | SS | SS | SS | SS    |    |    |    |    |
|                   | B    |       |    | SV     | SV | SS | SS | SS | SS | SS | SS | SV | SS | SS | SS |       |    |    |    |    |
|                   | A    |       |    | SS     | SS | SV | SS | SS | SS | SS | SS | SV | SS | SS | SS |       |    |    |    |    |
| 2HDP + 48S + 2HDP |      |       |    |        |    |    |    |    |    |    |    |    |    |    |    |       |    |    |    |    |

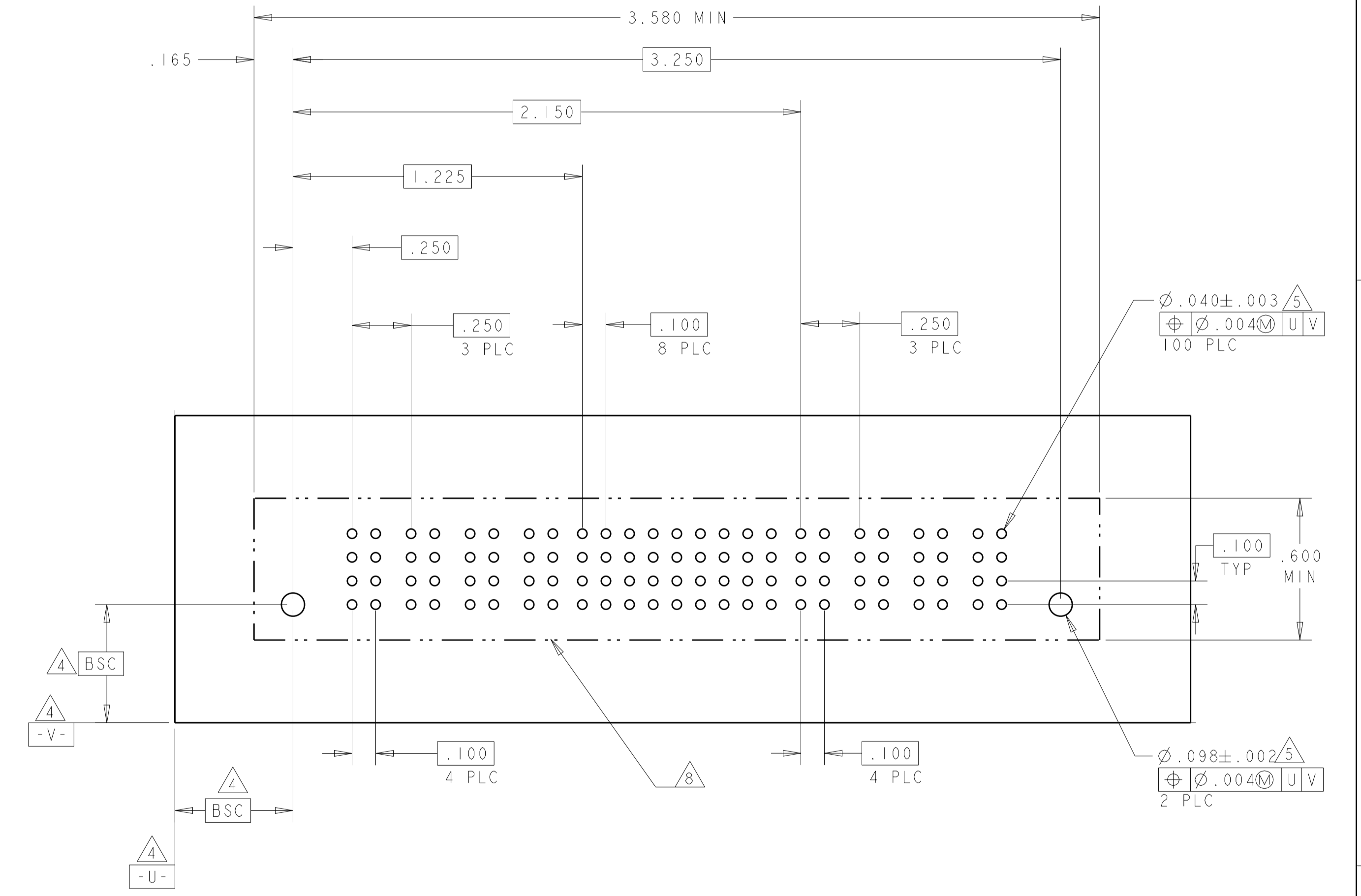
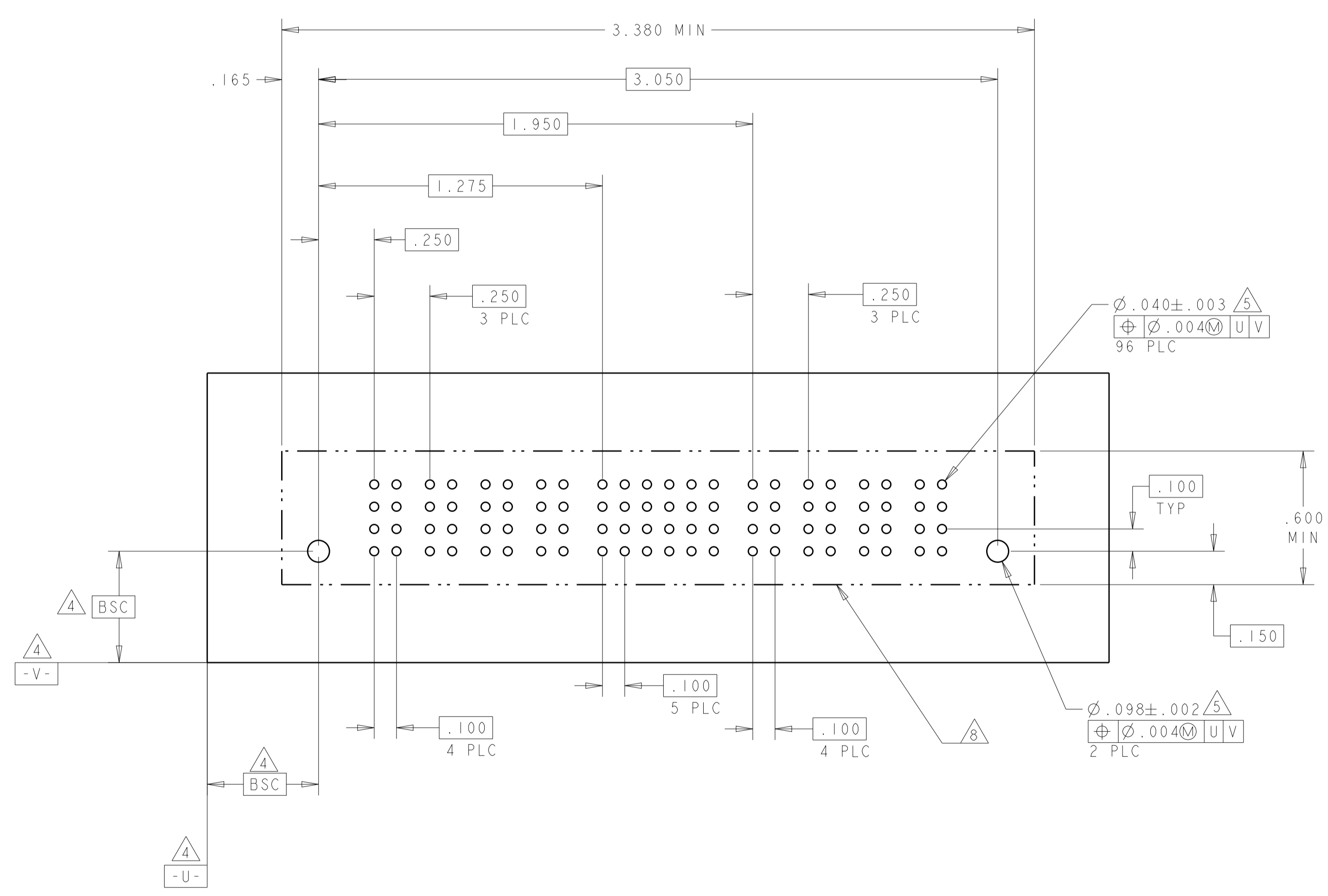


|   |  |                  |              |           |              |                 |   |
|---|--|------------------|--------------|-----------|--------------|-----------------|---|
| THIS DRAWING IS A CONTROLLED DOCUMENT.  |  | DWN              | J. McCLINTON | 22MAR2005 |              | TE Connectivity |   |
| DIMENSIONS: INCH  |  | CHK              | D. TROUT     | 22MAR2005 |              | NAME            |   |
| TOLERANCES UNLESS OTHERWISE SPECIFIED:  |  | APVD             | B. WHYNE     | 22MAR2005 | PRODUCT SPEC |                 | VERTICAL HEADER ASSEMBLY<br>W/ GUIDES AND SOLDER TAILS<br>MULTI-BEAM XL |
| 0 PLC ±<br>1 PLC ±<br>2 PLC ±<br>3 PLC ±.005<br>4 PLC ±.0020<br>ANGLES ±.0020<br>FINISH |  | APPLICATION SPEC |              | SIZE      |              | RESTRICTED TO   |   |
| MATERIAL  |  | WEIGHT           |              | CAGE CODE |              | DRAWING NO      |   |
|   |  |                  |              | A100779   |              | C=6600330       |   |
| CUSTOMER DRAWING  |  | SCALE            |              | SHEET     |              | REV             |   |
|   |  | 4:1              |              | 7 OF 10   |              | J7              |   |

| LOC       | DIST | REV | DATE        | BY   | APPV |
|-----------|------|-----|-------------|------|------|
| ES        | 00   |     |             |      |      |
| REVISIONS |      |     | DESCRIPTION | DATE | BY   |
|           |      |     | SEE SHEET 1 |      |      |

| PART NUMBER | ROWS | POWER |    |    |    | SIGNAL |    |    |    |    |    | POWER |    |    |    |
|-------------|------|-------|----|----|----|--------|----|----|----|----|----|-------|----|----|----|
|             |      | P1    | P2 | P3 | P4 | 1      | 2  | 3  | 4  | 5  | 6  | P5    | P6 | P7 | P8 |
| 1-6600330-9 | D    | SZ    | SZ | SZ | SZ | SS     | SS | SS | SS | SV | SS | SZ    | SZ | SZ | SZ |
|             | C    |       |    |    |    | SS     | SS | SS | SS | SV | SS |       |    |    |    |
|             | B    |       |    |    |    | SS     | SS | SS | SS | SV | SS |       |    |    |    |
|             | A    |       |    |    |    | SS     | SS | SV | SS | SV | SS |       |    |    |    |
| 4P+24S+4P   |      | HD    |    |    |    |        |    |    |    |    |    |       |    |    | HD |

| PART NUMBER | ROWS | POWER |    |    |    | SIGNAL |    |    |    |    |    |    |    |    | POWER |    |    |    |    |    |
|-------------|------|-------|----|----|----|--------|----|----|----|----|----|----|----|----|-------|----|----|----|----|----|
|             |      | P1    | P2 | P3 | P4 | 1      | 2  | 3  | 4  | 5  | 6  | 7  | 8  | 9  | P5    | P6 | P7 | P8 |    |    |
| 2-6600330-0 | D    | SZ    | SZ | SZ | SZ | SV     | SV | SV | SV | SV | SV | SV | SV | SV | SV    | SV | SZ | SZ | SZ | SZ |
|             | C    |       |    |    |    | SV     | SV | SV | SV | SV | SV | SV | SV | SV | SV    |    |    |    |    |    |
|             | B    |       |    |    |    | SV     | SV | SV | SV | SV | SV | SV | SV | SV | SV    |    |    |    |    |    |
|             | A    |       |    |    |    | SV     | SV | SV | SV | SV | SV | SV | SV | SV | SV    |    |    |    |    |    |
| 4P+36S+4P   |      | HD    |    |    |    |        |    |    |    |    |    |    |    |    |       |    |    |    |    | HD |



THIS DRAWING IS A CONTROLLED DOCUMENT.

|                     |   |              |                |
|---------------------|---|--------------|----------------|
| DIMENSIONS:<br>INCH | TOLERANCES UNLESS OTHERWISE SPECIFIED:<br>0 PLC ±<br>1 PLC ±<br>2 PLC ±<br>3 PLC ±.005<br>4 PLC ±.0020<br>ANGLES ±.0020 | FINISH:<br>- | MATERIAL:<br>- |
|---------------------|---|--------------|----------------|

|                             |                         |                        |
|-----------------------------|-------------------------|------------------------|
| OWN: J. McCLINTON 22MAR2005 | CHK: D. TROUT 22MAR2005 | APV: P. WYNE 22MAR2005 |
| PRODUCT SPEC: 108-1973      |                         |                        |
| APPLICATION SPEC: 114-13038 |                         |                        |
| WEIGHT: -                   | SCALE: 4:1              | SHEET: 8 OF 10         |

**STE** TE Connectivity

NAME: VERTICAL HEADER ASSEMBLY W/ GUIDES AND SOLDER TAILS MULTI-BEAM XL

SIZE: A1 00779 C=6600330

CUSTOMER DRAWING

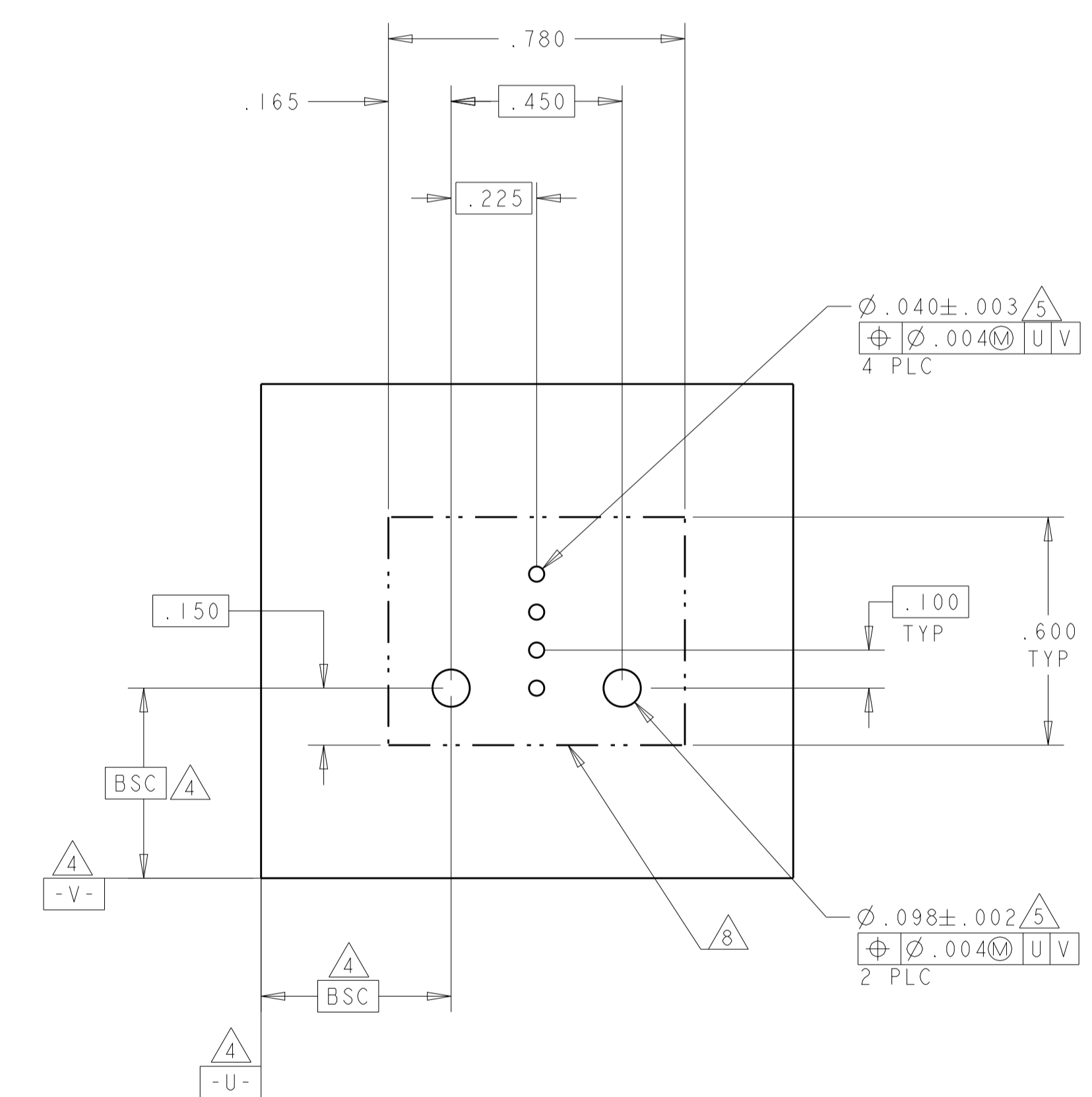
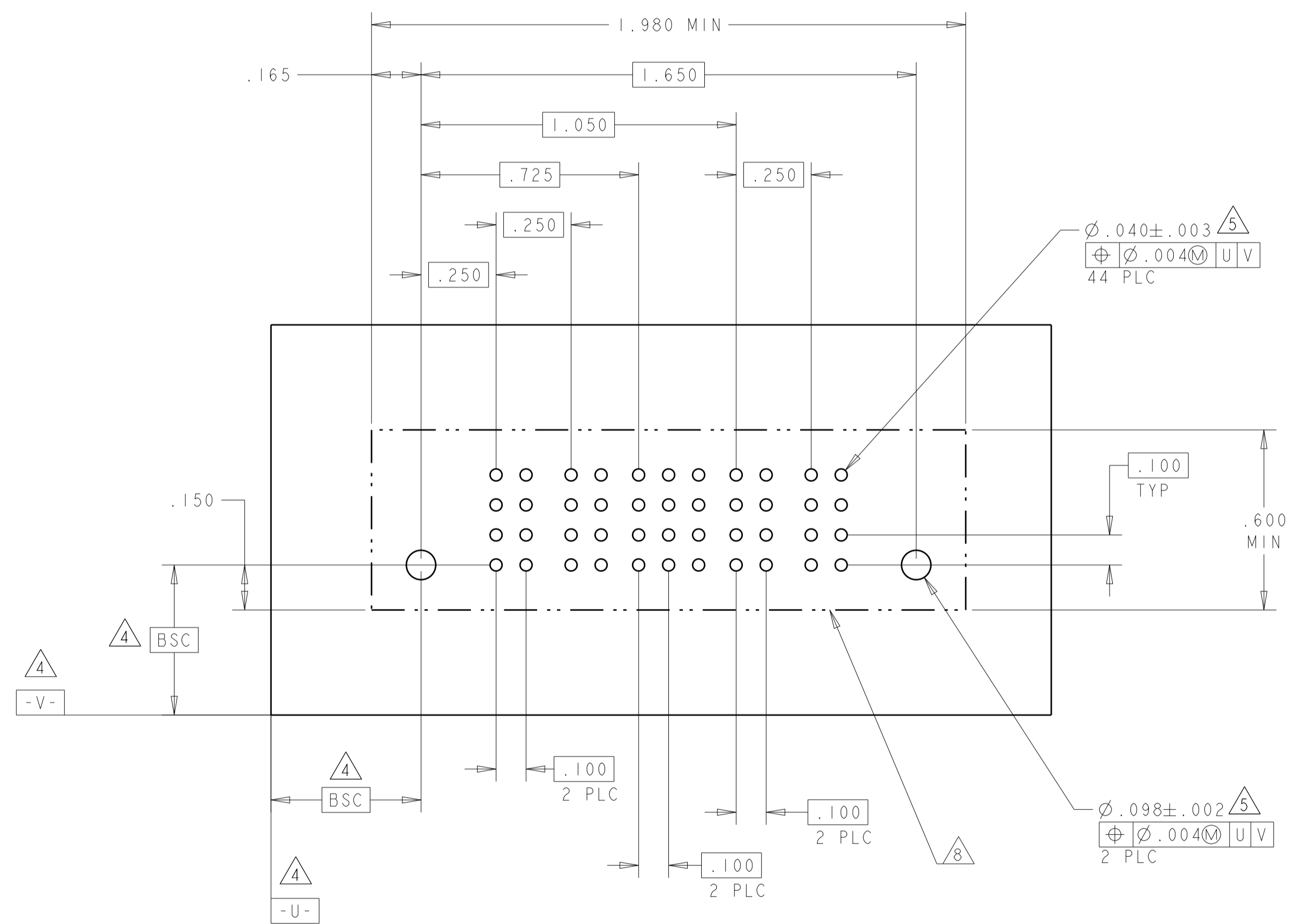


| LOC |     | DIST        |      | REVISIONS |      |  |  |
|-----|-----|-------------|------|-----------|------|--|--|
| P   | LTN | DESCRIPTION | DATE | DMN       | APVD |  |  |
| -   | -   | SEE SHEET 1 | -    | -         | -    |  |  |

| PART NUMBER   | ROWS | POWER |    | SIGNAL |    |    | POWER |    |
|---------------|------|-------|----|--------|----|----|-------|----|
|               |      | P1    | P2 | 1      | 2  | 3  | P3    | P4 |
| 2-6600330-1   | D    | SZ    | SZ | SV     | SV | SV | SZ    | SZ |
|               | C    |       |    | SV     | SV | SV |       |    |
|               | B    |       |    | SV     | SV | SV |       |    |
|               | A    |       |    | SV     | SV | SV |       |    |
| 2P + 12S + 2P |      | HD    |    |        |    |    | HD    |    |

| PART NUMBER | ROWS | SIGNAL |    |
|-------------|------|--------|----|
|             |      | 1      | 2  |
| 2-6600330-3 | D    | SV     |    |
|             | C    | SV     |    |
|             | B    | SV     |    |
|             | A    | SV     |    |
| 4S          |      | HD     | HD |

J3

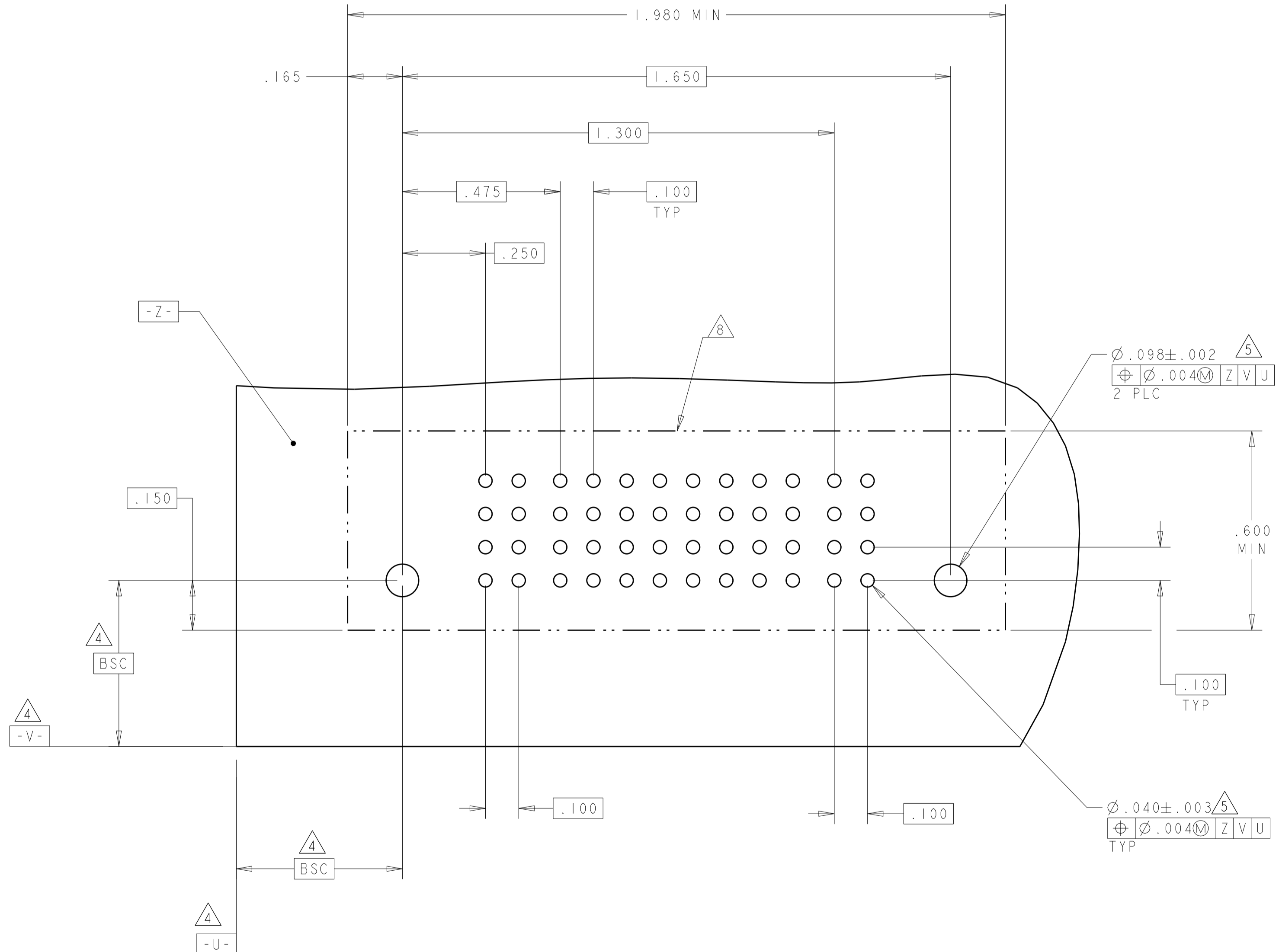
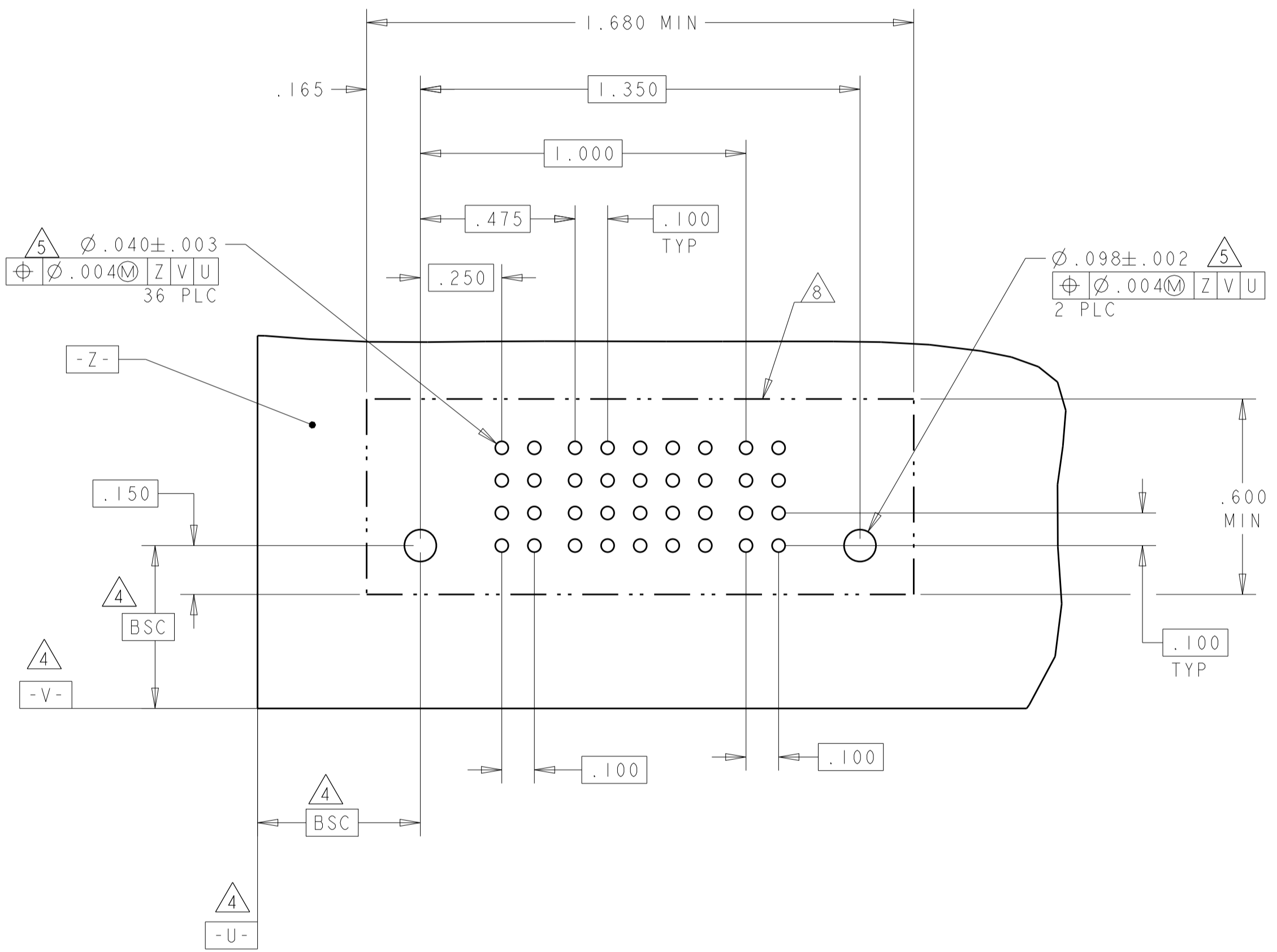


|  |  |                             |   |
|--|--|-----------------------------|---|
| THIS DRAWING IS A CONTROLLED DOCUMENT.                                       |  | DMN: J. McCLINTON 22MAR2005 | TE Connectivity   |
| DIMENSIONS: INCH   |  | CHK: D. TROUT 22MAR2005     |   |
| TOLERANCES UNLESS OTHERWISE SPECIFIED:                                       |  | APVD: P. WHYNE 22MAR2005    | NAME: VERTICAL HEADER ASSEMBLY W/ GUIDES AND SOLDER TAILS MULTI-BEAM XL |
| 0 PLC ±.<br>1 PLC ±.<br>2 PLC ±.<br>3 PLC ±.005<br>4 PLC ±.0020<br>ANGLES ±. |  | PRODUCT SPEC: 108-1973      | SIZE: A1  |
| MATERIAL: -  |  | APPLICATION SPEC: 114-13038 | CAGE CODE: 6600330  |
| FINISH: -  |  | WEIGHT: -                   | RESTRICTED TO: -  |
| CUSTOMER DRAWING   |  | SCALE: 4:1                  | SHEET 9 OF 10 REV J7  |

| LOC | DIST | REVISIONS   |      |     |      |
|-----|------|-------------|------|-----|------|
| P   | LTN  | DESCRIPTION | DATE | DMN | APVD |
| ES  | 00   | SEE SHEET 1 |      |     |      |

| PART NUMBER | ROWS | POWER | SIGNAL |    |    |    |    | POWER |    |
|-------------|------|-------|--------|----|----|----|----|-------|----|
|             |      |       | PI     | 1  | 2  | 3  | 4  |       | 5  |
| 2-6600330-4 | D    | SZ    | SZ     | SV | SV | SV | SV | SV    | SZ |
|             | C    |       |        | SV | SV | SV | SV | SV    |    |
|             | B    |       |        | SV | SV | SV | SV | SV    |    |
|             | A    |       |        | SV | SV | SV | SV | SV    |    |
| IP+20S+IP   |      | HD    |        |    |    |    |    | HD    |    |

| PART NUMBER | ROWS | POWER | SIGNAL |    |    |    |    |    |    |    | POWER |    |    |
|-------------|------|-------|--------|----|----|----|----|----|----|----|-------|----|----|
|             |      |       | PI     | 1  | 2  | 3  | 4  | 5  | 6  | 7  |       | 8  | P2 |
| 2-6600330-5 | D    | SZ    | SZ     | SV | SV | SV | SV | SV | SV | SV | SV    | SV | SZ |
|             | C    |       |        | SV | SV | SV | SV | SV | SV | SV | SV    |    |    |
|             | B    |       |        | SV | SV | SV | SV | SV | SV | SV | SV    |    |    |
|             | A    |       |        | SV | SV | SV | SV | SV | SV | SV | SV    |    |    |
| IP+32S+IP   |      | HD    |        |    |    |    |    |    |    |    |       | HD |    |



THIS DRAWING IS A CONTROLLED DOCUMENT.

|             |  |                  |              |           |
|-------------|--|------------------|--------------|-----------|
| DIMENSIONS: | TOLERANCES UNLESS OTHERWISE SPECIFIED: | DMN              | J. McCLINTON | 22MAR2005 |
| INCH        | 0 PLC ±                                | CHK              | D. TROUT     | 22MAR2005 |
|             | 1 PLC ±                                | APVD             | B. WHYNE     | 22MAR2005 |
|             | 2 PLC ±                                | PRODUCT SPEC     |              |           |
|             | 3 PLC ±                                | 108-1973         |              |           |
|             | 4 PLC ±                                | APPLICATION SPEC |              |           |
|             | 5 PLC ±                                | 114-13038        |              |           |
|             | ANGLES ±                               | WEIGHT           |              |           |
|             | FINISH                                 |                  |              |           |

MATERIAL: - FINISH: -

CUSTOMER DRAWING

SCALE: 4:1 SHEET 10 OF 10 REV J7

TE CONNECTIVITY

VERTICAL HEADER ASSEMBLY W/ GUIDES AND SOLDER TAILS MULTI-BEAM XL

SIZE: A1 CAGE CODE: 100779 DRAWING NO: 6600330

Компания «Life Electronics» занимается поставками электронных компонентов импортного и отечественного производства от производителей и со складов крупных дистрибьюторов Европы, Америки и Азии.

С конца 2013 года компания активно расширяет линейку поставок компонентов по направлению коаксиальный кабель, кварцевые генераторы и конденсаторы (керамические, пленочные, электролитические), за счёт заключения дистрибьюторских договоров

Мы предлагаем:

- Конкурентоспособные цены и скидки постоянным клиентам.
- Специальные условия для постоянных клиентов.
- Подбор аналогов.
- Поставку компонентов в любых объемах, удовлетворяющих вашим потребностям.
- Приемлемые сроки поставки, возможна ускоренная поставка.
- Доставку товара в любую точку России и стран СНГ.
- Комплексную поставку.
- Работу по проектам и поставку образцов.
- Формирование склада под заказчика.
- Сертификаты соответствия на поставляемую продукцию (по желанию клиента).
- Тестирование поставляемой продукции.
- Поставку компонентов, требующих военную и космическую приемку.
- Входной контроль качества.
- Наличие сертификата ISO.

В составе нашей компании организован Конструкторский отдел, призванный помогать разработчикам, и инженерам.

Конструкторский отдел помогает осуществить:

- Регистрацию проекта у производителя компонентов.
- Техническую поддержку проекта.
- Защиту от снятия компонента с производства.
- Оценку стоимости проекта по компонентам.
- Изготовление тестовой платы монтаж и пусконаладочные работы.



Тел: +7 (812) 336 43 04 (многоканальный)

Email: [org@lifeelectronics.ru](mailto:org@lifeelectronics.ru)