



LEOPARD IMAGING INC

Rev 1.1

LI-TX1-KIT-IMX274M12-T

Data Sheet

Key Features

- Compatible with Nvidia Jetson TX1
- MIPI interface
- Support up to three IMX274 cameras
- Sony Diagonal 7.20 mm (Type 1/2.5) CMOS Image Sensor IMX274
- Active pixels: 3864H x 2196V
- Length of the I-PEX cable: 300mm
- Support M12 lens
- Provide customization services
- Weight: 70 g
- Part#: **LI-TX1-KIT-IMX274M12-T**



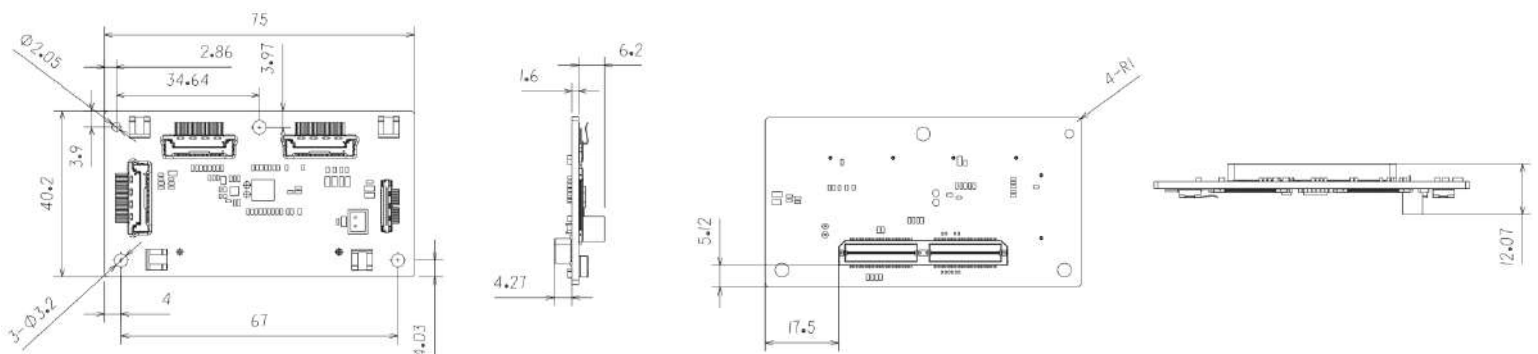
BOM

#	Items	QTY
1	LI-JTX1-MIPI-ADPT	1
2	LI-IMX274-MIPI-M12	3
3	FAW-1233-03 cable	3

Lens Spec

- Model: YC-172
- Focal length: 4.0 mm
- Aperture, F/#: 1.8
- Built in 650nm IR cut filter
- FOV (D/H/V): 112° / 96° / 51°
- TV Distortion: < 20%
- Mount: M12 x P0.5

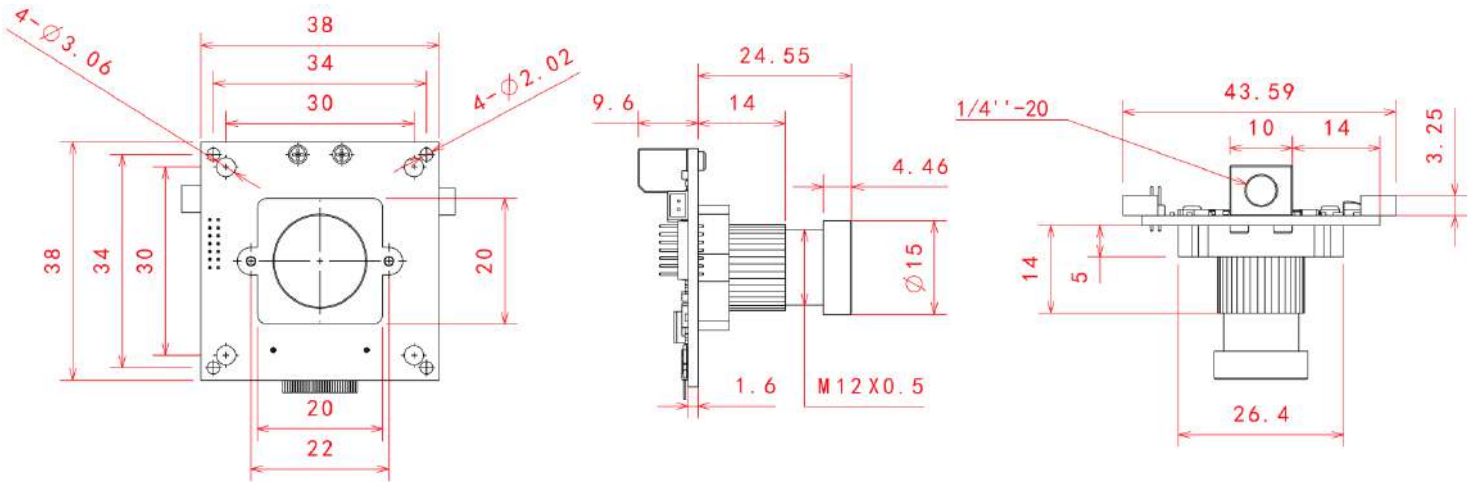
Dimensions (LI-JTX1-MIPI-ADPT)



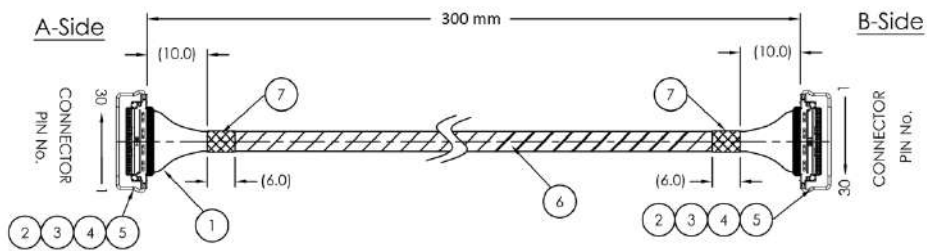
Leopard Imaging Inc.

1130 Cadillac Ct., Milpitas, CA 95035, USA
 Phone: +1-408-263-0988
 Fax: +1-408-217-1960
 Email: sales@leopardimaging.com
 Website: www.leopardimaging.com
 www.leopard-security.com

Dimensions (LI-IMX274-MIPI-M12)



Dimensions (FAW-1233-03)



Work on Nvidia Jetson TX1



Leopard Imaging Inc.

1130 Cadillac Ct., Milpitas, CA 95035, USA
 Phone: +1-408-263-0988
 Fax: +1-408-217-1960
 Email: sales@leopardimaging.com
 Website: www.leopardimaging.com
 www.leopard-security.com

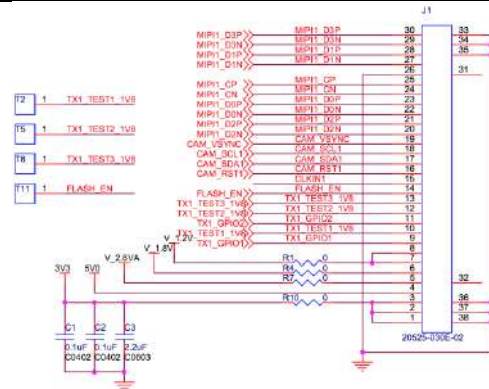
LI-JTX1-MIPI-ADPT



Interfaces

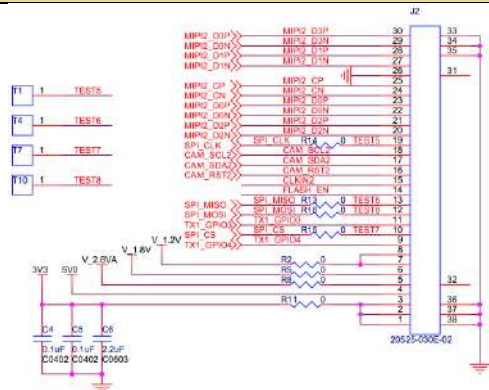
Interface J1

- Part#: 20525-030E-02C
- Number of Positions: 30
- Pitch: 0.4mm
- Mating I-PEX cable: FAW-1233-03 (300mm)



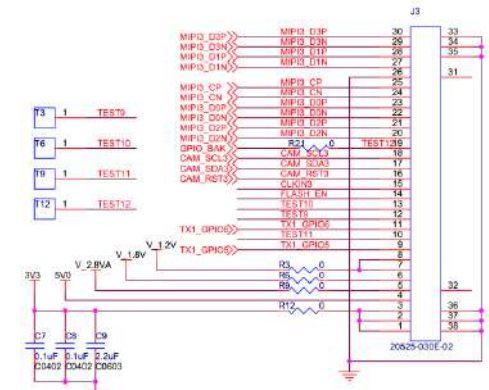
Interface J2

- Part#: 20525-030E-02C
- Number of Positions: 30
- Pitch: 0.4mm
- Mating I-PEX cable: FAW-1233-03 (300mm)



Interface J3

- Part#: 20525-030E-02C
- Number of Positions: 30
- Pitch: 0.4mm
- Mating I-PEX cable: FAW-1233-03 (300mm)



1130 Cadillac Ct., Milpitas, CA 95035, USA
 Phone: +1-408-263-0988
 Fax: +1-408-217-1960
 Email: sales@leopardimaging.com
 Website: www.leopardimaging.com
 www.leopard-security.com

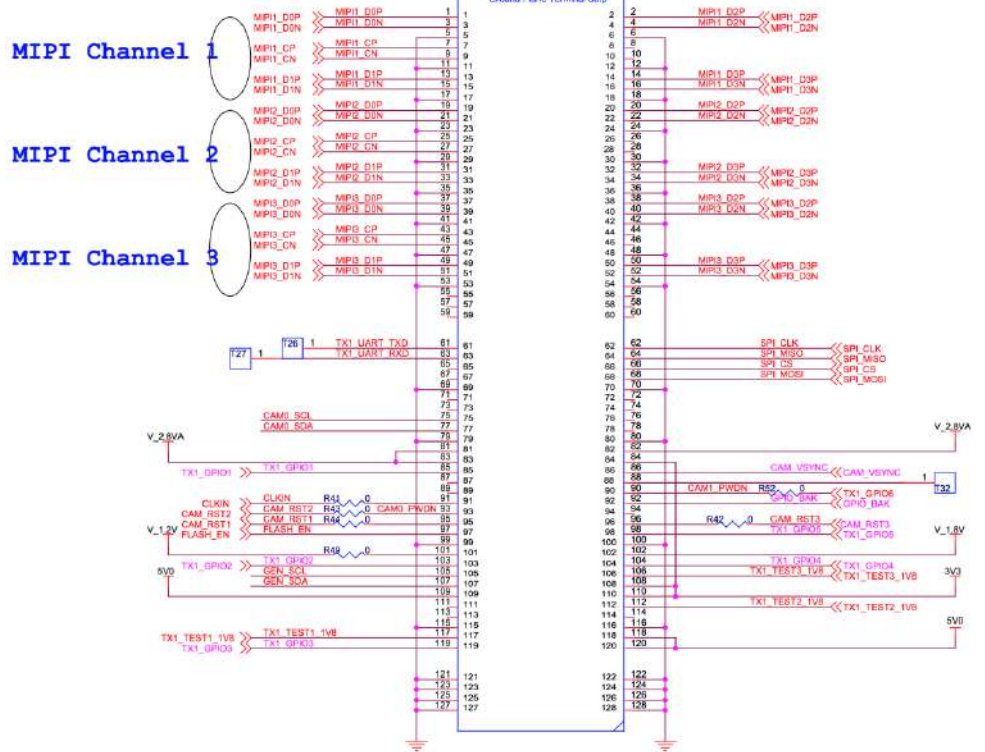


Leopard Imaging Inc.

Interface J10

- Part#: QTH-060-01-L-D-A
- Number of Positions: 120
- Number of Rows: 2
- Pitch: 0.5 mm

Vertical Mating Connector of Jetson TX1 J22



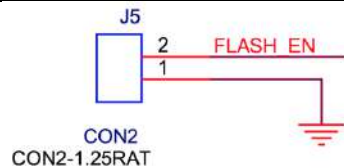
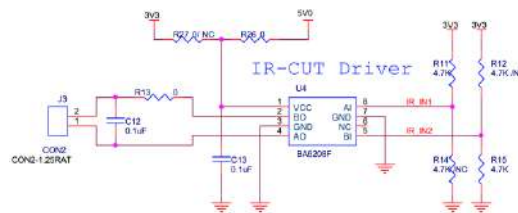
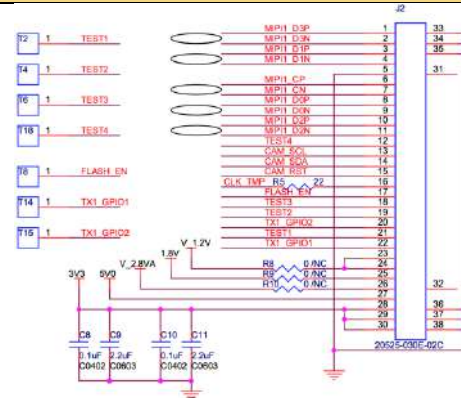
Leopard Imaging Inc.

1130 Cadillac Ct., Milpitas, CA 95035, USA
 Phone: +1-408-263-0988
 Fax: +1-408-217-1960
 Email: sales@leopardimaging.com
 Website: www.leopardimaging.com
 www.leopard-security.com

LI-IMX274-MIPI-M12



Camera Spec	
Image Sensor	Sony Diagonal 7.20 mm (Type 1/2.5) CMOS Image Sensor IMX274
Optical format	1/2.5"
Number of active pixels	3864 (H) x 2196 (V)
Pixel size	1.62um (H) x 1.62um (V)
Color or Mono	Color
Interface	MIPI interface
Lens mount	M12
Weight	14 g
Interfaces	
Interface J2:	<ul style="list-style-type: none"> Part#: 20525-030E-02C Number of Positions: 30 Pitch: 0.4mm Mating I-PEX cable: FAW-1233-03 (300mm)
Interface J3:	<ul style="list-style-type: none"> Part#: 1734829-2 Number of Positions: 2 Pitch: 1.25mm
Interface J5:	<ul style="list-style-type: none"> Part#: 1734829-2 Number of Positions: 2 Pitch: 1.25mm



Leopard Imaging Inc.

1130 Cadillac Ct., Milpitas, CA 95035, USA
 Phone: +1-408-263-0988
 Fax: +1-408-217-1960
 Email: sales@leopardimaging.com
 Website: www.leopardimaging.com
 www.leopard-security.com

Absolute Maximum Ratings

Item	Symbol	Ratings	Unit
Supply voltage (Analog)	V_{ADD}^{*1}	-0.3 to +3.3	V
Supply voltage (Digital 1)	V_{DDD1}^{*2}	-0.5 to +2.0	V
Supply voltage (Digital 2)	V_{DDD2}^{*3}	-0.5 to +3.3	V
Input voltage (Digital)	V_I	-0.3 to $V_{DDD2} + 0.3$	V
Output voltage (Digital)	V_O	-0.3 to $V_{DDD2} + 0.3$	V
Guaranteed operating temperature	T_{OPR}	-30 to +75	°C
Storage guarantee temperature	T_{STG}	-30 to +80	°C
Performance guarantee temperature	T_{SPEC}	-10 to +60	°C

Recommended Operating Conditions

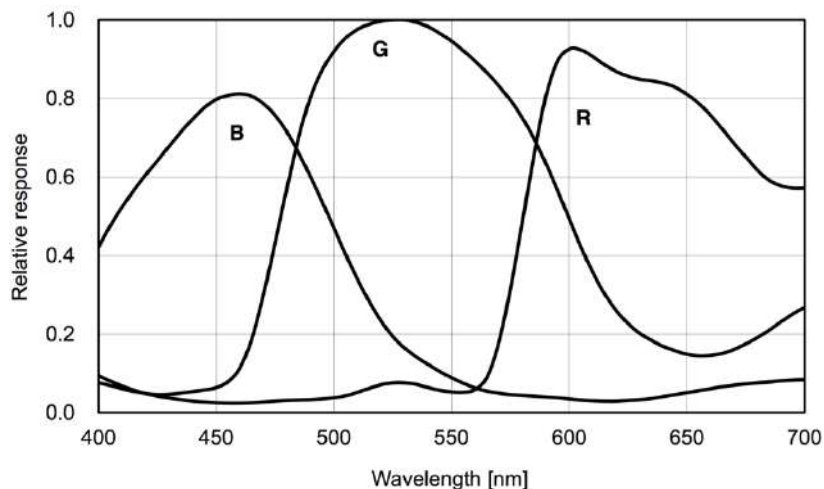
Item	Symbol	Rating	Unit
Supply voltage (Analog)	V_{ADD}^{*1}	2.8 ± 0.1	V
Supply voltage (Digital 1)	V_{DDD1}^{*2}	1.2 ± 0.1	V
Supply voltage (Digital 2)	V_{DDD2}^{*3}	1.8 ± 0.1	V
Input voltage (Digital)	V_I	-0.1 to $V_{DDD2} + 0.1$	V

*1 V_{ADD} : V_{DDSUB} , V_{DDHCM} , V_{DDHPX} , V_{DDHDA} , V_{DDHCP} (2.8 V power supply)

*2 V_{DDD1} : $V_{DDL CN}$, $V_{DDL SC1}$ to 2, $V_{DDL PA}$, $V_{DDL PL1}$, $V_{DDL PL2}$ to 3, $V_{DDL IF}$ (1.2 V power supply)

*3 V_{DDD2} : V_{DDMIO} , V_{DDMIF} (1.8 V power supply)

Spectral Sensitivity Characteristics



DC Characteristics

Current Consumption and Gain Variable Range

($V_{ADD} = 2.9\text{ V}$, $V_{DDD1} = 1.3\text{ V}$, $V_{DDD2} = 1.9\text{ V}$, $T_j = 60\text{ }^\circ\text{C}$, Reference Gain (0 dB)
All pixel scan mode (MODE0), 29.97 frame/s)

Item	Symbol	Min.	Typ.	Max	Unit	Remarks
Current consumption (Analog)	I_{ADD}	—	—	62	mA	
Current consumption (Digital 1)	I_{DDD1}	—	—	190	mA	
Current consumption (Digital 2)	I_{DDD2}	—	—	1	mA	
Standby current (Analog)	I_{ADDSTB}	—	—	35	μA	In the dark
Standby current (Digital 1)	$I_{DDD1STB}$	—	—	13	mA	In the dark
Standby current (Digital 2)	$I_{DDD2STB}$	—	—	20	μA	In the dark
PGA gain variable range	PGAG	0	—	27	dB	

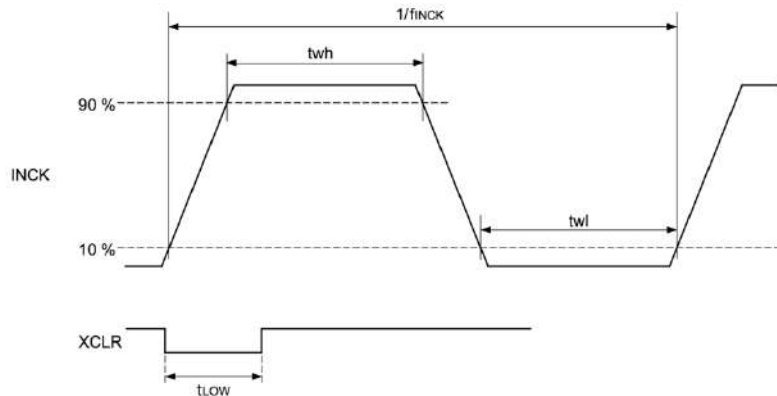
Supply Voltage and I/O Voltage

Item	Pins	Symbol	Min.	Typ.	Max.	Unit
Supply voltage	Analog V_{DDSUB} , V_{DDHCM} , V_{DDHPX} , V_{DDHDA} , V_{DDHCP}	V_{ADD}	2.70	2.80	2.90	V
	Digital 1 $V_{DDL CN}$, V_{DDLSC1} to 2, V_{DDLPL1} , V_{DDLPA} , V_{DDLPL2} to 3, V_{DDLIF}	V_{DDD1}	1.10	1.20	1.30	V
	Digital 2 V_{DDMIO} , V_{DDMIF}	V_{DDD2}	1.70	1.80	1.90	V
Digital input voltage	SDA, SCL	V_{IH1}	$0.7 \times V_{DDD2}$	—	1.9	V
		V_{IL1}	-0.3	—	$0.3 \times V_{DDD2}$	V
	XCLR, INCK	V_{IH2}	$0.65 \times V_{DDD2}$	—	$V_{DDD2} + 0.3$	V
		V_{IL2}	-0.3	—	$0.35 \times V_{DDD2}$	V
Digital output voltage	XHS, XVS	V_{HVOUT}	—	V_{DDD2}	—	V



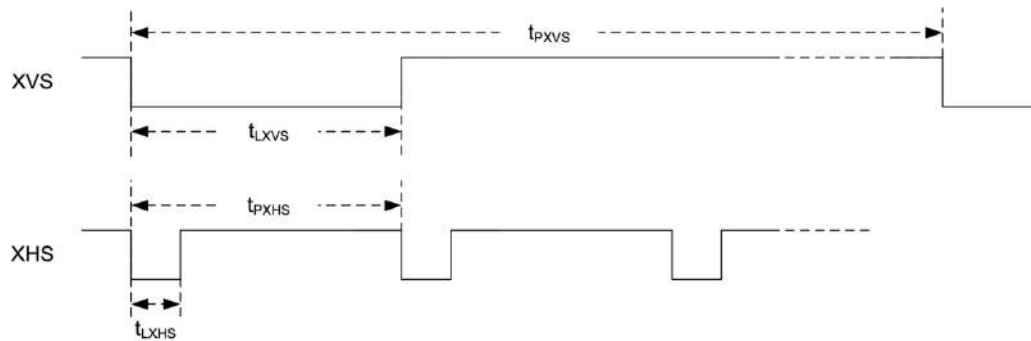
AC Characteristics

INCK, XCLR



Item	Symbol	Min.	Typ.	Max.	Unit
INCK clock frequency	f_{INCK}	6	—	27	MHz
INCK Low level pulse width	t_{wl}	5	—	—	ns
INCK High level pulse width	t_{wh}	5	—	—	ns
Clock duty	—	40	50	60	%
XCLR Low level pulse width	t_{LOW}	100	—	—	ns

XHS, XVS (Output)



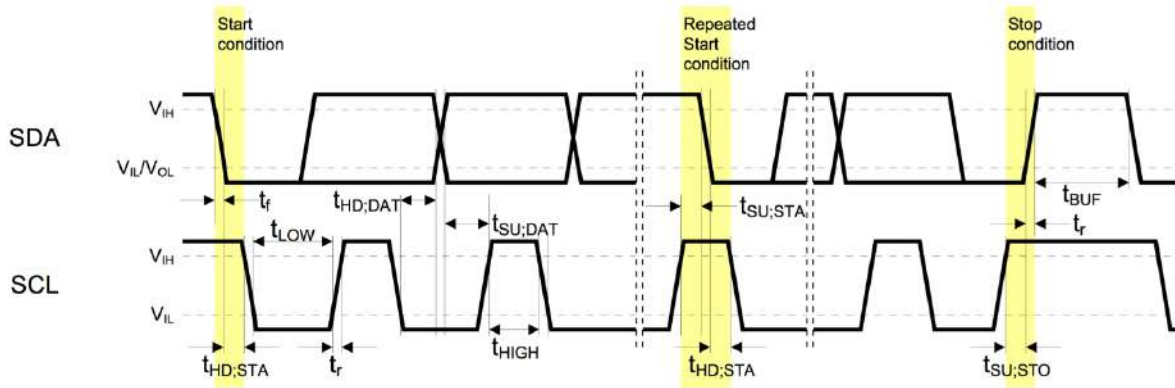
Item	Symbol	Min.	Typ.	Max.	Unit	Remarks
XHS Low level pulse width	t_{LXHS}		222		ns	16 clk@72MHz
XHS pulse period	t_{PXHS}		$HMAX^{*1}$		clk@72MHz	
XVS Low level pulse width	t_{LXVS}		t_{PXHS}		clk@72MHz	
XVS pulse period	t_{PXVS}		$HMAX^{*1} \times VMAX^{*2}$		clk@72MHz	

*1 The value set as HMAX (address 30F6h, bit [7:0] and address 30F7h, bit [7:0])

*2 The value set as VMAX (address 30F8h, bit [7:0], address 30F9h, bit [7:0] and address 30FAh, bit [3:0]).



I²C Communication



I²C Specification

Item	Symbol	Min.	Typ.	Max.	Unit	Remarks
Low level input voltage	V_{IL}	-0.3	—	$0.3 \times V_{DD2}$	V	
High level input voltage	V_{IH}	$0.7 \times V_{DD2}$	—	1.9	V	
Low level output voltage	V_{OL}	0	—	$0.2 \times V_{DD2}$	V	$V_{DD2} < 2V$, Sink 3 mA
Output fall time	t_{of}	—	—	250	ns	Load 10 pF to 400 pF, $0.7 \times V_{DD2}$ to $0.3 \times V_{DD2}$
Input current (SCL, SDA, XCLR, INCK)	i_i	-10	—	10	μA	$0.1 \times V_{DD2}$ to $0.9 \times V_{DD2}$
Input capacitance of SCL / SDA	C_i	—	—	10	pF	

I²C AC Characteristics

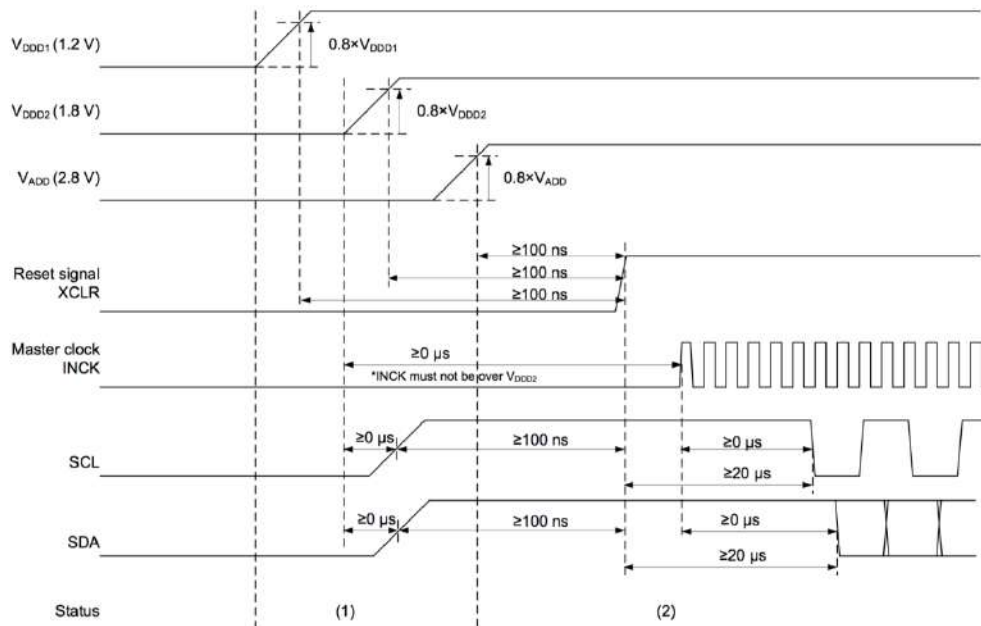
Item	Symbol	Min.	Typ.	Max.	Unit
SCL clock frequency	f_{SCL}	0	—	400	kHz
Hold time (Start Condition)	$t_{HD,STA}$	0.6	—	—	μs
Low period of the SCL clock	t_{LOW}	1.3	—	—	μs
High period of the SCL clock	t_{HIGH}	0.6	—	—	μs
Set-up time (Repeated Start Condition)	$t_{SU,STA}$	0.6	—	—	μs
Data hold time	$t_{HD,DAT}$	0	—	0.9	μs
Data set-up time	$t_{SU,DAT}$	100	—	—	ns
Rise time of both SDA and SCL signals	t_r	—	—	300	ns
Fall time of both SDA and SCL signals	t_f	—	—	300	ns
Set-up time (Stop Condition)	$t_{SU,STO}$	0.6	—	—	μs
Bus free time between a STOP and START Condition	t_{BUF}	1.3	—	—	μs



Leopard Imaging Inc.

1130 Cadillac Ct., Milpitas, CA 95035, USA
 Phone: +1-408-263-0988
 Fax: +1-408-217-1960
 Email: sales@leopardimaging.com
 Website: www.leopardimaging.com
 www.leopard-security.com

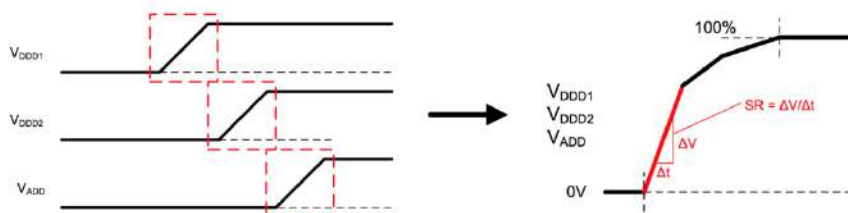
Power-on Sequence



Period name	Remarks
(1) Power stabilization period	All input signals are set to Low level. There are no constraints of the power-on sequence with V _{ADD} , V _{DD1} , and V _{DD2} .
(2) Register communication period for standby cancel	Wait 100 ns after the last power supply in V _{ADD} , V _{DD1} and V _{DD2} . Then set XCLR to "H" and start the standby cancel sequence.

Slew Rate Limitation of Power-on Sequence

Conform to the slew rate limitation shown below when power supply change 0 V to each voltage (0 % to 100 %) in power-on sequence.



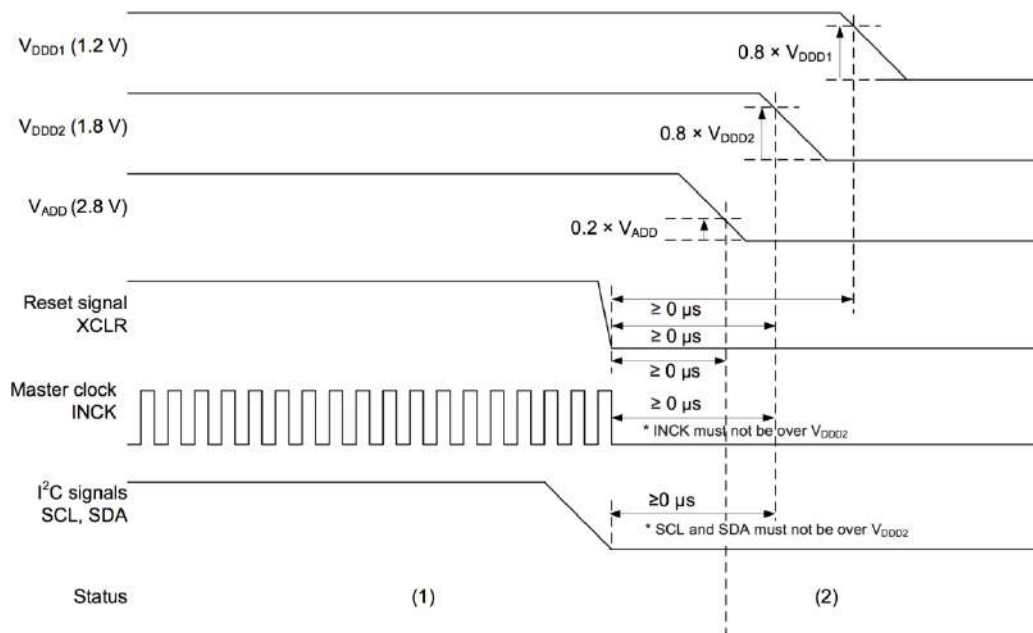
Item	Symbol	Power supply	Min.	Max.	Unit	Remarks
Slew rate	SR	V _{DD1} (1.2 V)	—	25	mV/us	
		V _{DD2} (1.8 V)	—	25	mV/us	
		V _{ADD} (2.8 V)	—	25	mV/us	



Leopard Imaging Inc.

1130 Cadillac Ct., Milpitas, CA 95035, USA
 Phone: +1-408-263-0988
 Fax: +1-408-217-1960
 Email: sales@leopardimaging.com
 Website: www.leopardimaging.com
 www.leopard-security.com

Power-off Sequence



Period name	Remarks
(1) Pixel output period	Pixel signal output period
(2) Power-off period	Turn the power supplies off after all input signals are set to "Low" level except SCL and SDA. Set SCL and SDA to "Low" level at the same time with turning off the power supply of V _{DD2} . There are no constraints of the power-off sequence with V _{ADD} , V _{DD1} , and V _{DD2} .



Leopard Imaging Inc.

1130 Cadillac Ct., Milpitas, CA 95035, USA
 Phone: +1-408-263-0988
 Fax: +1-408-217-1960
 Email: sales@leopardimaging.com
 Website: www.leopardimaging.com
 www.leopard-security.com

Компания «Life Electronics» занимается поставками электронных компонентов импортного и отечественного производства от производителей и со складов крупных дистрибьюторов Европы, Америки и Азии.

С конца 2013 года компания активно расширяет линейку поставок компонентов по направлению коаксиальный кабель, кварцевые генераторы и конденсаторы (керамические, пленочные, электролитические), за счёт заключения дистрибьюторских договоров

Мы предлагаем:

- Конкурентоспособные цены и скидки постоянным клиентам.
- Специальные условия для постоянных клиентов.
- Подбор аналогов.
- Поставку компонентов в любых объемах, удовлетворяющих вашим потребностям.
- Приемлемые сроки поставки, возможна ускоренная поставка.
- Доставку товара в любую точку России и стран СНГ.
- Комплексную поставку.
- Работу по проектам и поставку образцов.
- Формирование склада под заказчика.
- Сертификаты соответствия на поставляемую продукцию (по желанию клиента).
- Тестирование поставляемой продукции.
- Поставку компонентов, требующих военную и космическую приемку.
- Входной контроль качества.
- Наличие сертификата ISO.

В составе нашей компании организован Конструкторский отдел, призванный помогать разработчикам, и инженерам.

Конструкторский отдел помогает осуществить:

- Регистрацию проекта у производителя компонентов.
- Техническую поддержку проекта.
- Защиту от снятия компонента с производства.
- Оценку стоимости проекта по компонентам.
- Изготовление тестовой платы монтаж и пусконаладочные работы.



Тел: +7 (812) 336 43 04 (многоканальный)
Email: org@lifeelectronics.ru