

# High Frequency Programmable PECL Clock Generator

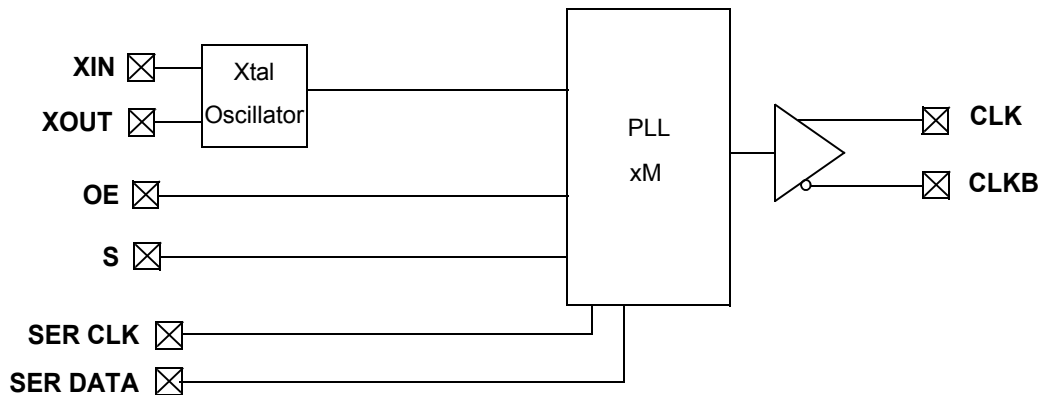
## Features

- Jitter peak-peak (Typical) = 35 ps
- LVPECL output
- Default Select option
- Serially configurable multiply ratios
- Output edge rate control
- 16-pin TSSOP
- High frequency
- 3.3 V operation

## Benefits

- High accuracy clock generation
- One pair of differential output drivers
- Phase-locked loop (PLL) multiplier select
- 8-bit feedback counter and 6-bit reference counter for high accuracy
- Minimize electromagnetic interference (EMI)
- Industry standard, low cost package saves on board space

## Logic Block Diagram

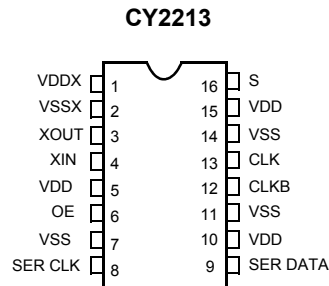


**Contents**

<b>Pinouts</b> .....	<b>3</b>	<b>Functional Specifications</b> .....	<b>8</b>
<b>Pin Definitions</b> .....	<b>3</b>	Crystal Input .....	8
<b>Frequency Table</b> .....	<b>3</b>	Select Input .....	8
<b>CY2213 Two-Wire Serial Interface</b> .....	<b>4</b>	PECL Clock Output Driver .....	8
Introduction .....	4	Signal Waveforms .....	9
Serial Interface Specifications .....	4	Jitter .....	10
Serial Interface Format .....	4	<b>Ordering Information</b> .....	<b>12</b>
Serial Interface Transfer Format .....	4	Ordering Code Definitions .....	12
<b>Absolute Maximum Conditions</b> .....	<b>6</b>	<b>Package Diagrams</b> .....	<b>13</b>
<b>Crystal Requirements</b> .....	<b>6</b>	<b>Acronyms</b> .....	<b>14</b>
<b>Electrical Characteristics</b> .....	<b>6</b>	<b>Document Conventions</b> .....	<b>14</b>
DC Electrical Specifications .....	6	Units of Measure .....	14
3.3 V DC Device Characteristics .....	6	<b>Document History Page</b> .....	<b>15</b>
AC Electrical Specifications .....	7	<b>Sales, Solutions, and Legal Information</b> .....	<b>16</b>
AC Device Characteristics .....	7	Worldwide Sales and Design Support .....	16
State Transition Characteristics .....	8	Products .....	16
		PSoC Solutions .....	16

## Pinouts

Figure 1. 16-pin TSSOP pinout



## Pin Definitions

Pin Name	Pin Number	Pin Description
VDDX	1	3.3 V Power Supply for Crystal Driver
VSSX	2	Ground for Crystal Driver
XOUT	3	Reference Crystal Feedback
XIN	4	Reference Crystal Input
VDD	5	3.3 V Power Supply (all V <sub>DD</sub> pins must be tied directly on board)
OE	6	Output Enable, 0 = output disable, 1 = output enable (no internal pull up)
VSS	7	Ground
SER CLK	8	Serial Interface Clock
SER DATA	9	Serial Interface Data
VDD	10	3.3 V Power Supply (all V <sub>DD</sub> pins must be tied directly on board)
VSS	11	Ground
CLKB	12	LVPECL Output Clock (complement)
CLK	13	LVPECL Output Clock
VSS	14	Ground
VDD	15	3.3 V Power Supply (all V <sub>DD</sub> pins must be tied directly on board)
S	16	PLL Multiplier Select Input, Pull up Resistor Internal

## Frequency Table

S	M (PLL Multiplier)	Example Input Crystal Frequency	CLK, CLKB
0	× 16	25 MHz	400 MHz
1	× 8	15.625 MHz	125 MHz

## CY2213 Two-Wire Serial Interface

### Introduction

The CY2213 has a two-wire serial interface designed for data transfer operations, and is used for programming the P and Q values for frequency generation.  $S_{clk}$  is the serial clock line controlled by the master device.  $S_{data}$  is a serial bidirectional data line. The CY2213 is a slave device and can either read or write information on the dataline upon request from the master device.

Figure 2 shows the basic bus connections between master and slave device. The buses are shared by a number of devices and are pulled high by a pull up resistor.

### Serial Interface Specifications

Figure 3 shows the Basic Transmission Specification. To begin and end a transmission, the master device generates a start signal (S) and a stop signal (P). Start (S) is defined as switching the  $S_{data}$  from HIGH to LOW while the  $S_{clk}$  is at HIGH. Similarly, stop (P) is defined as switching the  $S_{data}$  from LOW to HIGH while holding the  $S_{clk}$  HIGH. Between these two signals, data on  $S_{data}$  is synchronous with the clock on the  $S_{clk}$ . Data is allowed to change only at LOW period of clock, and must be stable at the

HIGH period of clock. To acknowledge, drive the  $S_{data}$  LOW before the  $S_{clk}$  rising edge and hold it LOW until the  $S_{clk}$  falling edge.

### Serial Interface Format

Each slave carries an address. The data transfer is initiated by a start signal (S). Each transfer segment is 1 byte in length. The slave address and the read/write bit are first sent from the master device after the start signal. The addressed slave device must acknowledge (Ack) the master device. Depending on the Read/Write bit, the master device either writes data into (logic 0) or reads data (logic 1) from the slave device. Each time a byte of data is successfully transferred, the receiving device must acknowledge. At the end of the transfer, the master device generates a stop signal (P).

### Serial Interface Transfer Format

Figure 3 shows the serial interface transfer format used with the CY2213. Two dummy bytes must be transferred before the first data byte. The CY2213 has only three bytes of latches to store information, and the third byte of data is reserved. Extra data is ignored.

Figure 2. Device Connections

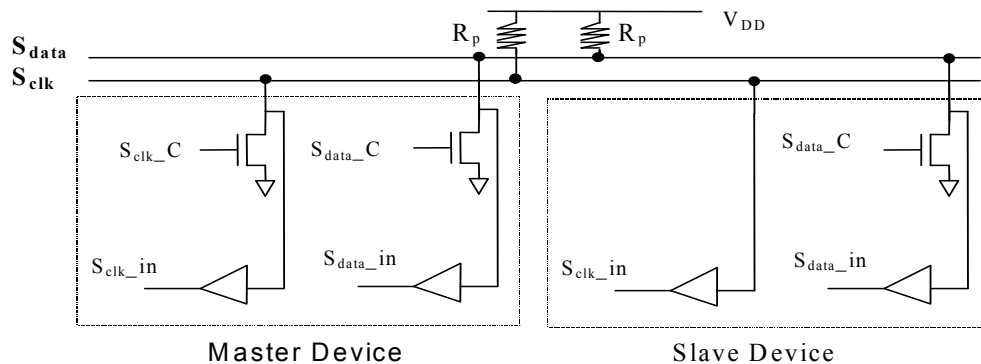


Figure 3. Serial Interface Specifications

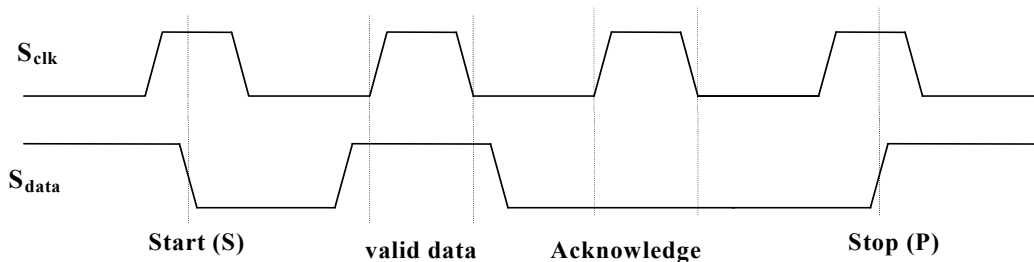


Figure 4. CY2213 Transfer Format

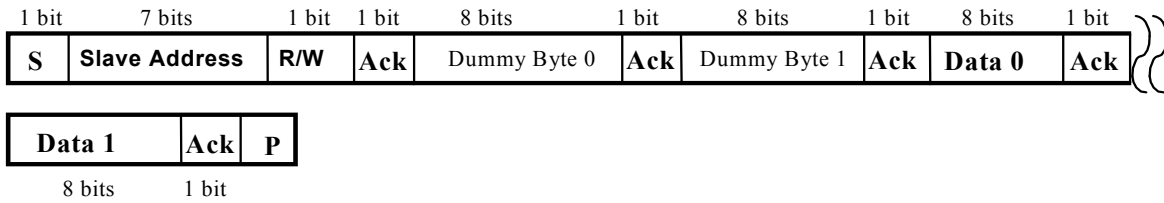


Table 1. Serial Interface Address for the CY2213

A6	A5	A4	A3	A2	A1	A0	R/W
1	1	0	0	1	0	1	0

Table 2. Serial Interface Programming for the CY2213

	b7	b6	b5	b4	b3	b2	b1	b0
Data0	QCNTBYP	SELPQ	Q<5>	Q<4>	Q<3>	Q<2>	Q<1>	Q<0>
Data1	P<7>	P<6>	P<5>	P<4>	P<3>	P<2>	P<1>	P<0>
Data2	Reserved	Reserved	Reserved	Reserved	Reserved	Reserved	Reserved	Reserved

To program the CY2213 using the two-wire serial interface, set the SELPQ bit HIGH. The default setting of this bit is LOW. The P and Q values are determined by the following formulas:

$$P_{final} = (P_{7..0} + 3) \times 2$$

$$Q_{final} = Q_{5..0} + 2.$$

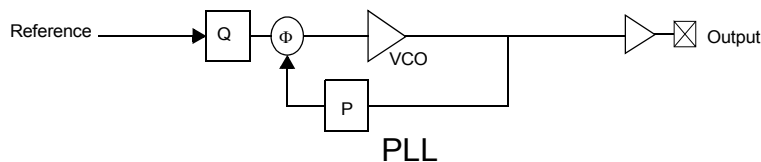
If the QCNTBYP bit is set HIGH, then  $Q_{final}$  defaults to a value of 1. The default setting of this bit is LOW.

If the SELPQ bit is set LOW, the PLL multipliers are set using the values in the Select Function Table.

CyberClocks™ has been developed to generate P and Q values for stable PLL operation. This software is downloadable from [www.cypress.com](http://www.cypress.com)

$$PLL \text{ Frequency} = \text{Reference} \times P/Q = \text{Output}$$

Figure 5. PLL Block Diagram



## Absolute Maximum Conditions

The following table reflects stress ratings only, and functional operation at the maximums are not guaranteed.

Parameter	Description	Min	Max	Unit
$V_{DD, ABS}$	Maximum voltage on $V_{DD}$ , or $V_{DDX}$ with respect to ground	-0.5	4.0	V
$V_{I, ABS}$	Maximum voltage on any pin with respect to ground	-0.5	$V_{DD} + 0.5$	V

## Crystal Requirements

Requirements to use parallel mode fundamental xtal. External capacitors are required in the crystal oscillator circuit. Please refer to the application note entitled **Crystal Oscillator Topics** for details.

Parameter	Description	Min	Max	Unit
$X_F$	Crystal fundamental frequency	10	31.25	MHz

## Electrical Characteristics

### DC Electrical Specifications

Parameter	Description	Min	Max	Unit
$V_{DD}$	Supply voltage	3.00	3.60	V
$T_A$	Ambient operating temperature	0	70	°C
$V_{IL}$	Input signal low voltage at pin S	-	0.35	$V_{DD}$
$V_{IH}$	Input signal high voltage at pin S	0.65	-	$V_{DD}$
$R_{PUP}$	Internal pull up resistance	10	100	$k\Omega$
$t_{PU}$	Power up time for all $V_{DDs}$ to reach minimum specified voltage (power ramps must be monotonic)	0.05	500	ms

### 3.3 V DC Device Characteristics

(Driving load, [Figure 6](#))

Parameter	Description	Min	Typ	Max	Unit
$V_{OH}$	Output high voltage, referenced to $V_{DD}$	-1.02	-0.95	-0.88	V
$V_{OL}$	Output low voltage, referenced to $V_{DD}$	-1.81	-1.70	-1.62	V

(Driving load, [Figure 7](#))

Parameter	Description	Min	Typ	Max	Unit
$V_{OH}$	Output high voltage	1.1	1.2	1.3	V
$V_{OL}$	Output low voltage	0	0	0	V

**AC Electrical Specifications**

Parameter	Description	Min	Max	Unit
$f_{IN}$	Input frequency with driven reference	1	133	MHz
$f_{XTAL,IN}$	Input frequency with crystal input	10	31.25	MHz
$C_{IN,CMOS}$	Input capacitance at S pin <sup>[1]</sup>	–	10	pF

**AC Device Characteristics**

Parameter	Description	Min	Max	Unit
$t_{CYCLE}$	Clock cycle time	2.50 (400 MHz)	8.00 (125 MHz)	ns
$t_{JCRMS}$	Cycle-to-cycle RMS jitter	–	0.25%	% $t_{CYCLE}$
	At 125 MHz frequency	–	20	ps
	At 400 MHz frequency	–	6.25	ps
$t_{JCPK}$	Cycle-to-cycle jitter (pk-pk)	–	1.75%	% $t_{CYCLE}$
	At 125 MHz frequency	–	140	ps
	At 200 MHz frequency, XF = 25 MHz	–	55	ps
	At 400 MHz frequency	–	43.75	ps
$t_{JPRMS}$	Period jitter RMS	–	0.25%	% $t_{CYCLE}$
	At 125 MHz frequency	–	20	ps
	At 400 MHz frequency	–	6.25	ps
$t_{JPPK}$	Period jitter (pk-pk)	–	2.0%	% $t_{CYCLE}$
	At 125 MHz frequency	–	160	ps
	At 200 MHz frequency, XF = 25 MHz	–	65	ps
	At 400 MHz frequency	–	50	ps
$t_{JLT}$	Long term RMS Jitter (P < 20)	–	1.75%	% $t_{CYCLE}$
	At 125 MHz frequency	–	140	ps
	At 400 MHz frequency	–	43.75	ps
$t_{JLT}$	Long term RMS Jitter (20 ≤ P < 40)	–	2.5%	% $t_{CYCLE}$
	At 125 MHz frequency	–	200	ps
	At 400 MHz frequency	–	62.5	ps
$t_{JLT}$	Long term RMS Jitter (40 ≤ P < 60)	–	3.5%	% $t_{CYCLE}$
	At 125 MHz frequency	–	280	ps
	At 400 MHz frequency	–	87.5	ps
Phase Noise	Phase Noise at 10 kHz (x8 mode) at 125 MHz	–107	–92	dBc
DC	Long term average output duty cycle	45	55	%
$t_{DC,ERR}$	Cycle-cycle duty cycle error at x8 with 15.625 MHz input	–	70	ps
$t_{CR}, t_{CF}$	Output rise and fall times (measured at 20% – 80% of $V_{OHmin}$ and $V_{OLmax}$ )	100	400	ps
$BW_{LOOP}$	PLL Loop Bandwidth	50 kHz (–3 dB)	8 MHz (–20 dB)	

**Note**

1. Capacitance measured at frequency = 1 MHz, DC Bias = 0.9V, and VAC < 100 mV

**State Transition Characteristics**

Specifies the maximum settling time of the CLK and CLKB outputs from device power up. For  $V_{DD}$  and  $V_{DDX}$  any sequences are allowed to power up and power down the CY2213.

From	To	Transition Latency	Description
$V_{DD}/V_{DDX}$ On	CLK/CLKB Normal	3 ms	Time from $V_{DD}/V_{DDX}$ is applied and settled to CLK/CLKB outputs settled.

**Functional Specifications**

**Crystal Input**

The CY2213 receives its reference from an external crystal. Pin XIN is the reference crystal input, and pin XOUT is the reference crystal feedback. The parameters for the crystal are illustrated in [AC Device Characteristics on page 7](#). The oscillator circuit requires external capacitors. Please refer to the application note entitled **Crystal Oscillator Topics** for details.

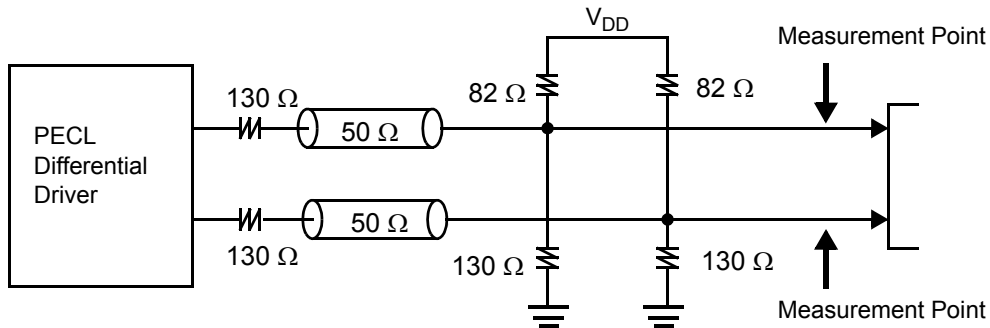
**Select Input**

There is only one select input, pin S. This pin selects the frequency multiplier in the PLL, and is a standard LVCMOS input. The S pin has an internal pull up resistor. The multiplier selection is illustrated in [Frequency Table on page 3](#).

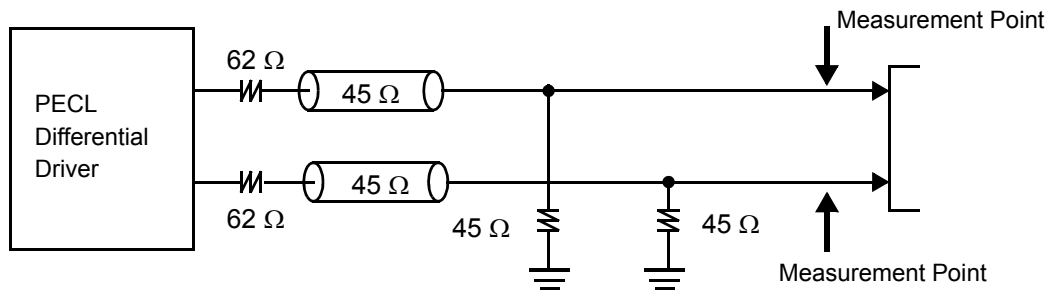
**PECL Clock Output Driver**

[Figure 6](#) and [Figure 7](#) show the Clock Output Driver.

**Figure 6. Output Driving Load (-1)**



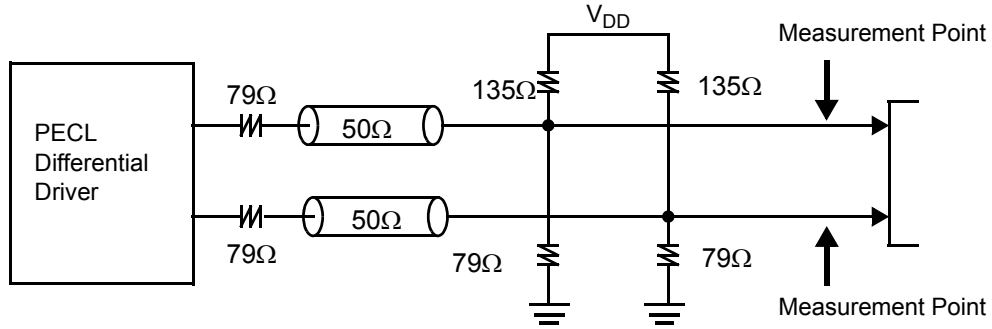
**Figure 7. Output Driving Load (-2)**





An alternative termination scheme can be used to drive a standard PECL fanout buffer.

Figure 8. Output Driving Load (-3)



The PECL differential driver is designed for low voltage, high frequency operation. It significantly reduces the transient switching noise and power dissipation when compared to conventional CMOS drivers. The nominal value of the channel impedance is 50Ω. The pull up and pull down resistors provide matching channel termination. The combination of the differential driver and the output network determines the voltage swing on the channel. The output clock is specified at the measurement point indicated in Figure 6 on page 8 and Figure 7 on page 8.

**Signal Waveforms**

A physical signal that appears at the pins of the device is deemed valid or invalid depending on its voltage and timing relations with other signals. This section defines the voltage and timing waveforms for the input and output pins of the CY2213. The Device Characteristics tables list the specifications for the device parameters that are defined here.

Input and Output voltage waveforms are defined as shown in Figure 9. Rise and fall times are defined as the 20% and 80% measurement points of  $V_{OHmin} - V_{OLmax}$ .

The device parameters are defined in Table 3. Figure 10 on page 10 shows the definition of long term duty cycle, which is simply the CLK waveform high time divided by the cycle time (defined at the crossing point). Long term duty cycle is the average over many (>10,000) cycles. DC is defined as the Output Clock Long Term Duty Cycle.

Table 3. Definition of Device Parameters

Parameter	Definition
$V_{OH}, V_{OL}$	Clock output high and low voltages
$V_{IH}, V_{IL}$	$V_{DD}$ LVCMOS input high and low voltages
$t_{CR}, t_{CF}$	Clock output rise and fall times

Figure 9. Voltage Waveforms

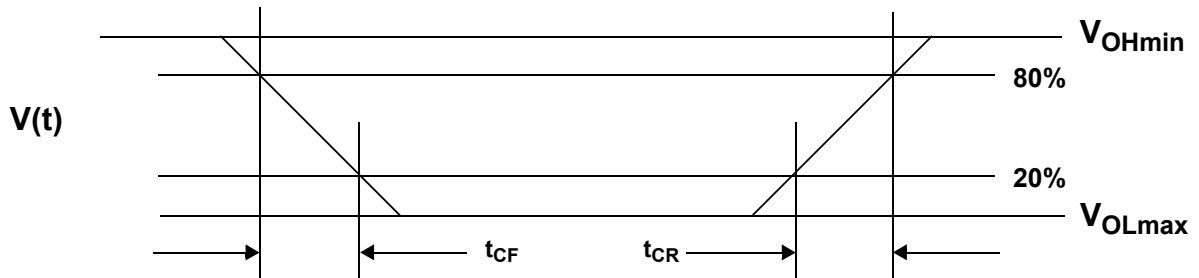
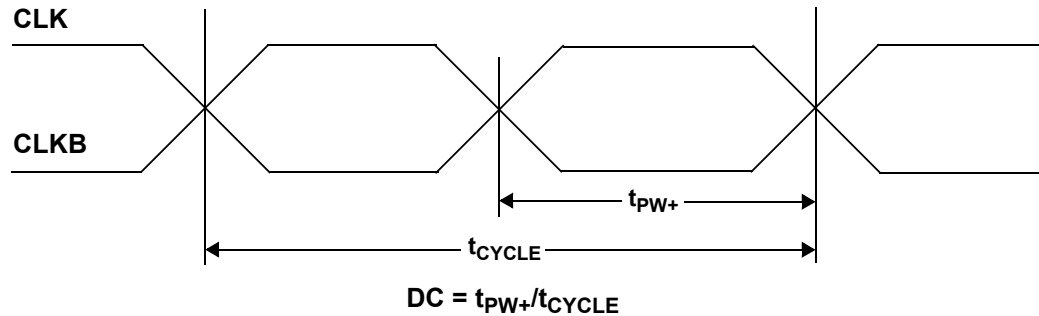


Figure 10. Duty Cycle Jitter



**Jitter**

This section defines the specifications that relate to timing uncertainty (or jitter) of the input and output waveforms. Figure 11 shows the definition of period jitter with respect to the falling edge of the CLK signal. Period jitter is the difference between the minimum and maximum cycle times over many cycles (typically 12,800 cycles at 400 MHz). Equal requirements apply for rising edges of the CLK signal.  $t_{JP}$  is defined as the output period jitter.

Figure 12 shows the definition of cycle-to-cycle jitter with respect to the falling edge of the CLK signal. Cycle-to-cycle jitter is the difference between cycle times of adjacent cycles over many cycles (typically 12,800 cycles at 400 MHz). Equal requirements

apply for rising edges of the CLK signal.  $t_{JC}$  is defined as the Clock Output Cycle-to-cycle Jitter.

Figure 13 on page 11 shows the definition of cycle-to-cycle duty cycle error. Cycle-to-cycle duty cycle error is defined as the difference between high-times of adjacent cycles over many cycles (typically 12,800 cycles at 400 MHz). Equal requirements apply to the low-times.  $t_{DC,ERR}$  is defined as the Clock Output Cycle-to-cycle Duty Cycle Error.

Figure 14 on page 11 shows the definition of long-term jitter error. Long term jitter is defined as the accumulated timing error over many cycles (typically 12,800 cycles at 400 MHz). It applies to both rising and falling edges.  $t_{JLT}$  is defined as the long term jitter.

Figure 11. Period Jitter

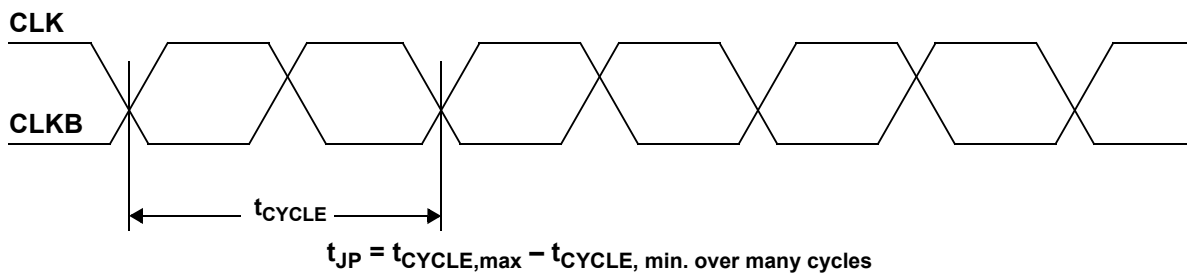


Figure 12. Cycle-to-cycle Jitter

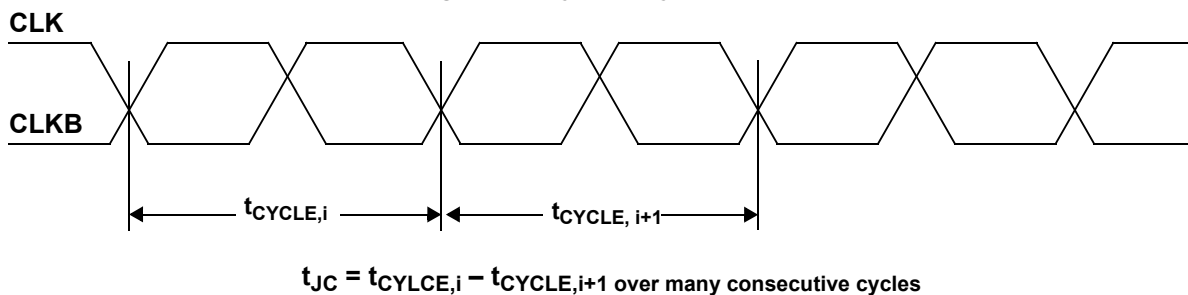


Figure 13. Cycle-to-cycle Duty Cycle Error

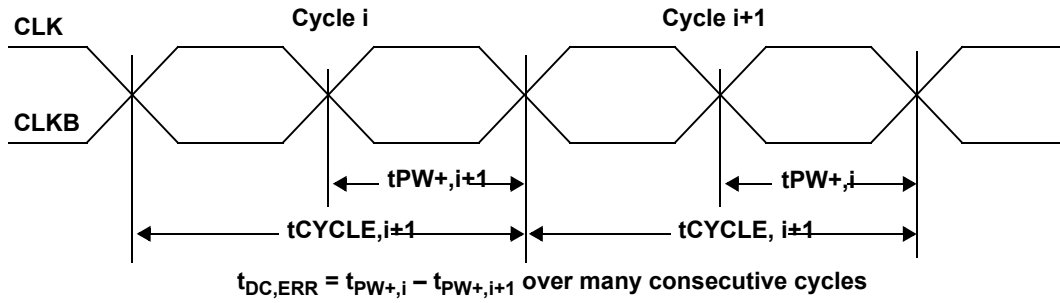
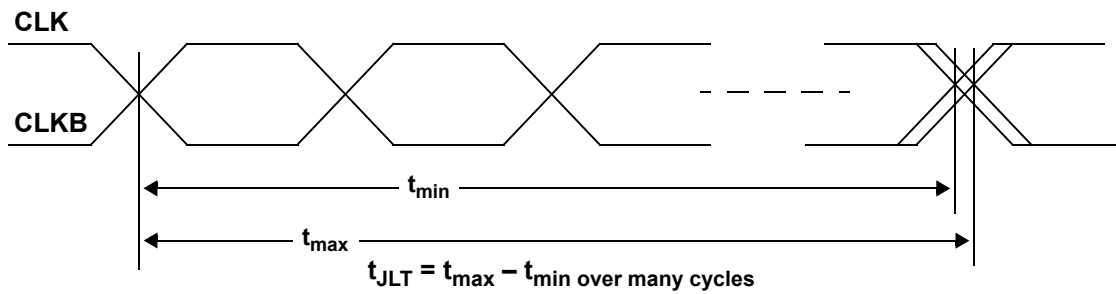


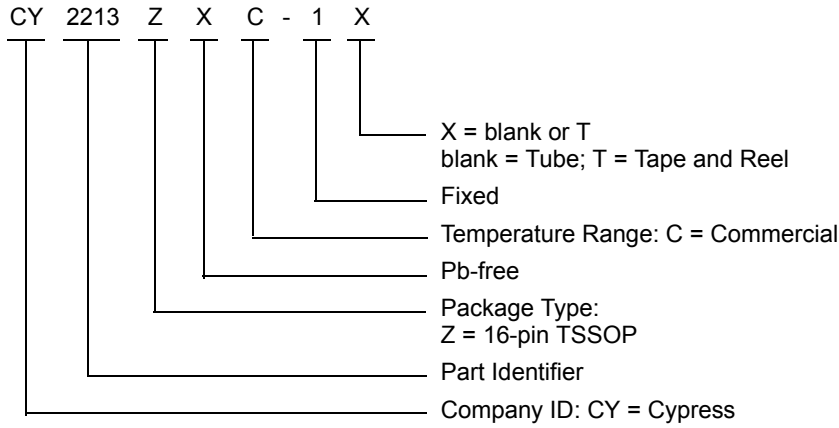
Figure 14. Long-term Jitter



**Ordering Information**

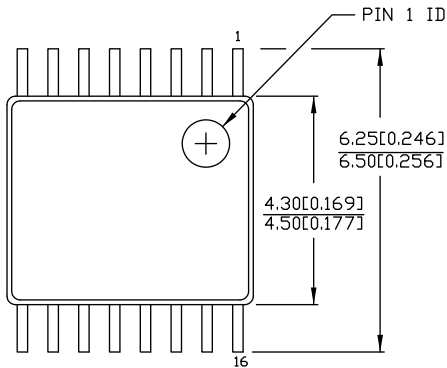
Ordering Code	Package Type	Operating Range	Operating Voltage
CY2213ZXC-1	16-pin TSSOP	Commercial, to 400 MHz	3.3 V
CY2213ZXC-1T	16-pin TSSOP – Tape and Reel	Commercial, to 400 MHz	3.3 V

**Ordering Code Definitions**



### Package Diagrams

Figure 15. 16-pin TSSOP (4.40 mm Body) Z16.173/ZZ16.173 Package Outline, 51-85091

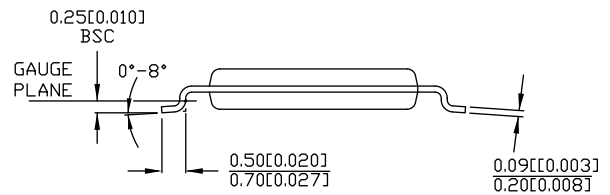
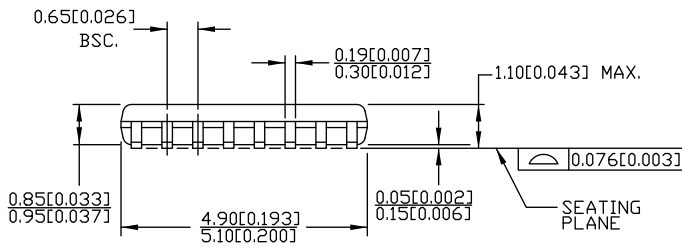


DIMENSIONS IN MM[INCHES] MIN.  
MAX.

REFERENCE JEDEC MO-153

PACKAGE WEIGHT 0.05gms

PART #	
Z16.173	STANDARD PKG.
ZZ16.173	LEAD FREE PKG.



51-85091 \*D

**Acronyms**

Acronym	Description
CMOS	complementary metal-oxide semiconductor
DC	duty cycle
EMI	electromagnetic interference
LVC MOS	low voltage complementary metal-oxide semiconductor
LVPECL	low voltage pseudo (positive) emitter coupled logic
OE	output enable
PECL	pseudo (positive) emitter coupled logic
PLL	phase locked loop
TSSOP	thin-shrink small outline package

**Document Conventions**

**Units of Measure**

Symbol	Unit of Measure
°C	degree Celsius
kΩ	kilohm
MHz	megahertz
ms	millisecond
ns	nanosecond
Ω	ohm
%	percent
pF	picofarad
ps	picosecond
V	volt

**Document History Page**

Document Title: CY2213, High Frequency Programmable PECL Clock Generator Document Number: 38-07263				
Rev.	ECN	Submission Date	Orig. of Change	Description of Change
**	113090	02/06/02	DSG	Change from Spec number: 38-01100 to 38-07263
*A	113512	05/24/02	CKN	Added PLL Block Diagram ( <a href="#">Figure 5</a> ) and PLL frequency equation
*B	121882	12/14/02	RBI	Power up requirements added to Operating Conditions
*C	123215	12/19/02	LJN	Previous revision was released with incorrect *A numbering in footer; *A should have been *B (and was changed accordingly)
*D	124012	03/05/03	CKN	Added -2 to data sheet; edited line 3 of Benefits
*E	126557	05/27/03	RGL	Added 200 MHz Jitter Spec. Added optional output termination
*F	2738056	07/14/09	CXQ	Obsolete document.
*G	2742301	07/22/09	CXQ	Undo obsolete document. Removed all references to obsolete -2 option. Changed Ordering Information entry to Pb-free CY2213ZXC-1 and -1T. Revised the version of Package Drawing from 51-85091 ** to 51-85091 *A.
*H	3709157	08/10/2012	PURU	Added <a href="#">Ordering Code Definitions</a> . Updated <a href="#">Package Diagrams</a> (spec 51-85091 (Changed revision from *A to *D)). Added <a href="#">Acronyms</a> and <a href="#">Units of Measure</a> . Updated in new template.

## Sales, Solutions, and Legal Information

### Worldwide Sales and Design Support

Cypress maintains a worldwide network of offices, solution centers, manufacturer's representatives, and distributors. To find the office closest to you, visit us at [Cypress Locations](#).

### Products

<a href="#">Automotive</a>	<a href="#">cypress.com/go/automotive</a>
<a href="#">Clocks &amp; Buffers</a>	<a href="#">cypress.com/go/clocks</a>
<a href="#">Interface</a>	<a href="#">cypress.com/go/interface</a>
<a href="#">Lighting &amp; Power Control</a>	<a href="#">cypress.com/go/powerpsoc</a> <a href="#">cypress.com/go/plc</a>
<a href="#">Memory</a>	<a href="#">cypress.com/go/memory</a>
<a href="#">PSoC</a>	<a href="#">cypress.com/go/psoc</a>
<a href="#">Touch Sensing</a>	<a href="#">cypress.com/go/touch</a>
<a href="#">USB Controllers</a>	<a href="#">cypress.com/go/USB</a>
<a href="#">Wireless/RF</a>	<a href="#">cypress.com/go/wireless</a>

### PSoC Solutions

[psoc.cypress.com/solutions](#)  
PSoC 1 | PSoC 3 | PSoC 5

---

© Cypress Semiconductor Corporation, 2002-2012. The information contained herein is subject to change without notice. Cypress Semiconductor Corporation assumes no responsibility for the use of any circuitry other than circuitry embodied in a Cypress product. Nor does it convey or imply any license under patent or other rights. Cypress products are not warranted nor intended to be used for medical, life support, life saving, critical control or safety applications, unless pursuant to an express written agreement with Cypress. Furthermore, Cypress does not authorize its products for use as critical components in life-support systems where a malfunction or failure may reasonably be expected to result in significant injury to the user. The inclusion of Cypress products in life-support systems application implies that the manufacturer assumes all risk of such use and in doing so indemnifies Cypress against all charges.

Any Source Code (software and/or firmware) is owned by Cypress Semiconductor Corporation (Cypress) and is protected by and subject to worldwide patent protection (United States and foreign), United States copyright laws and international treaty provisions. Cypress hereby grants to licensee a personal, non-exclusive, non-transferable license to copy, use, modify, create derivative works of, and compile the Cypress Source Code and derivative works for the sole purpose of creating custom software and or firmware in support of licensee product to be used only in conjunction with a Cypress integrated circuit as specified in the applicable agreement. Any reproduction, modification, translation, compilation, or representation of this Source Code except as specified above is prohibited without the express written permission of Cypress.

Disclaimer: CYPRESS MAKES NO WARRANTY OF ANY KIND, EXPRESS OR IMPLIED, WITH REGARD TO THIS MATERIAL, INCLUDING, BUT NOT LIMITED TO, THE IMPLIED WARRANTIES OF MERCHANTABILITY AND FITNESS FOR A PARTICULAR PURPOSE. Cypress reserves the right to make changes without further notice to the materials described herein. Cypress does not assume any liability arising out of the application or use of any product or circuit described herein. Cypress does not authorize its products for use as critical components in life-support systems where a malfunction or failure may reasonably be expected to result in significant injury to the user. The inclusion of Cypress' product in a life-support systems application implies that the manufacturer assumes all risk of such use and in doing so indemnifies Cypress against all charges.

Use may be limited by and subject to the applicable Cypress software license agreement.



Компания «Life Electronics» занимается поставками электронных компонентов импортного и отечественного производства от производителей и со складов крупных дистрибьюторов Европы, Америки и Азии.

С конца 2013 года компания активно расширяет линейку поставок компонентов по направлению коаксиальный кабель, кварцевые генераторы и конденсаторы (керамические, пленочные, электролитические), за счёт заключения дистрибьюторских договоров

Мы предлагаем:

- Конкурентоспособные цены и скидки постоянным клиентам.
- Специальные условия для постоянных клиентов.
- Подбор аналогов.
- Поставку компонентов в любых объемах, удовлетворяющих вашим потребностям.
- Приемлемые сроки поставки, возможна ускоренная поставка.
- Доставку товара в любую точку России и стран СНГ.
- Комплексную поставку.
- Работу по проектам и поставку образцов.
- Формирование склада под заказчика.
- Сертификаты соответствия на поставляемую продукцию (по желанию клиента).
- Тестирование поставляемой продукции.
- Поставку компонентов, требующих военную и космическую приемку.
- Входной контроль качества.
- Наличие сертификата ISO.

В составе нашей компании организован Конструкторский отдел, призванный помогать разработчикам, и инженерам.

Конструкторский отдел помогает осуществить:

- Регистрацию проекта у производителя компонентов.
- Техническую поддержку проекта.
- Защиту от снятия компонента с производства.
- Оценку стоимости проекта по компонентам.
- Изготовление тестовой платы монтаж и пусконаладочные работы.



Тел: +7 (812) 336 43 04 (многоканальный)  
Email: [org@lifeelectronics.ru](mailto:org@lifeelectronics.ru)