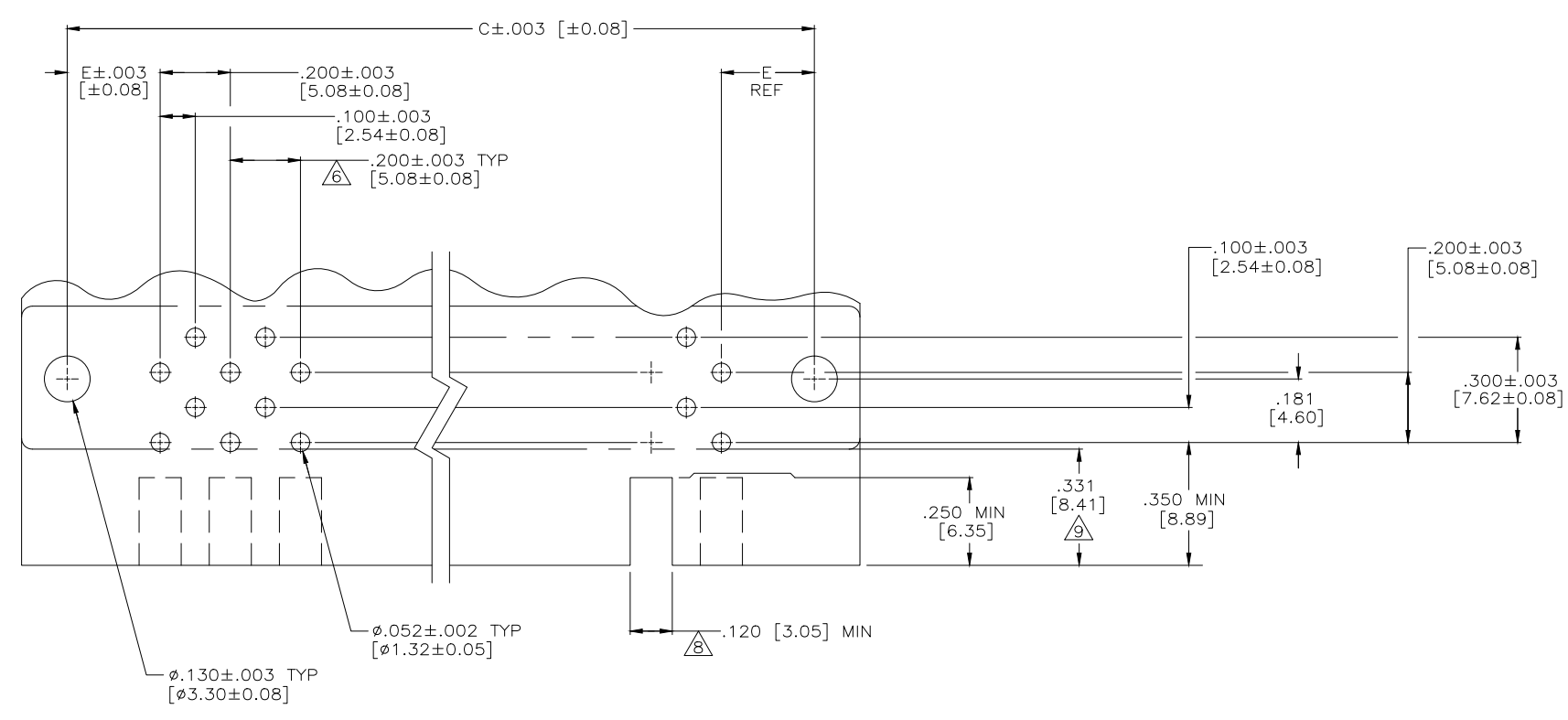
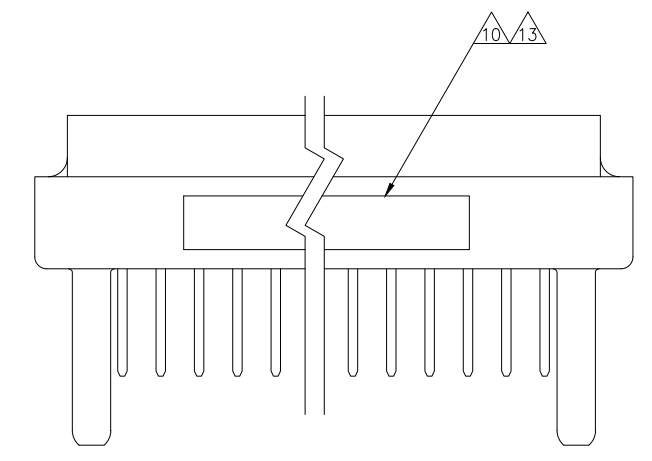
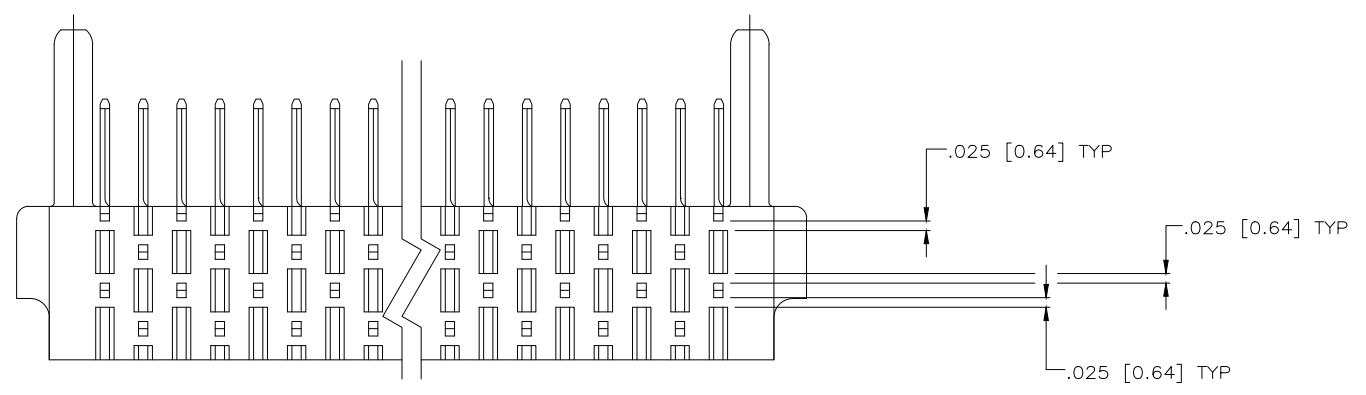
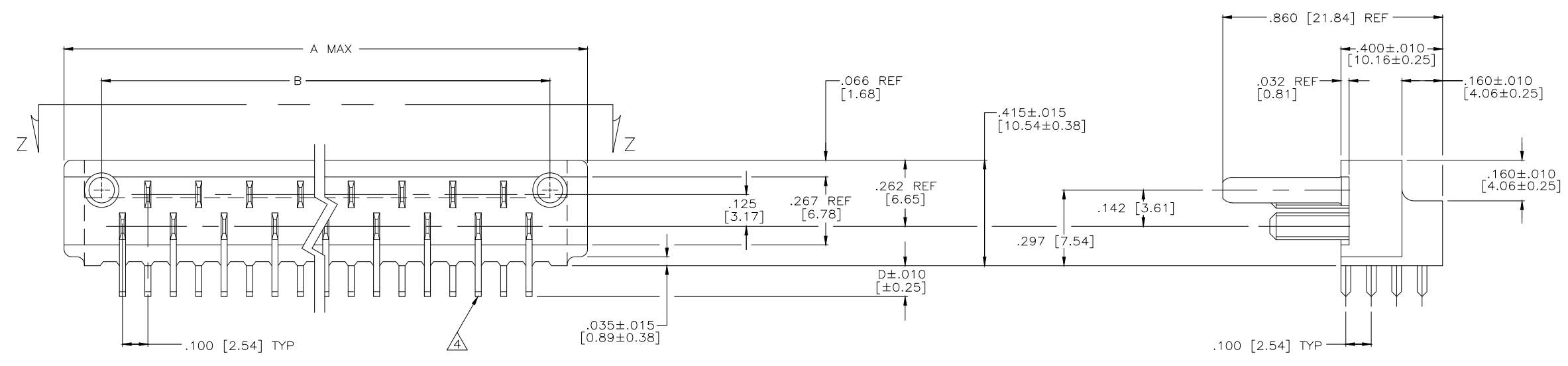


VIEW Z-Z

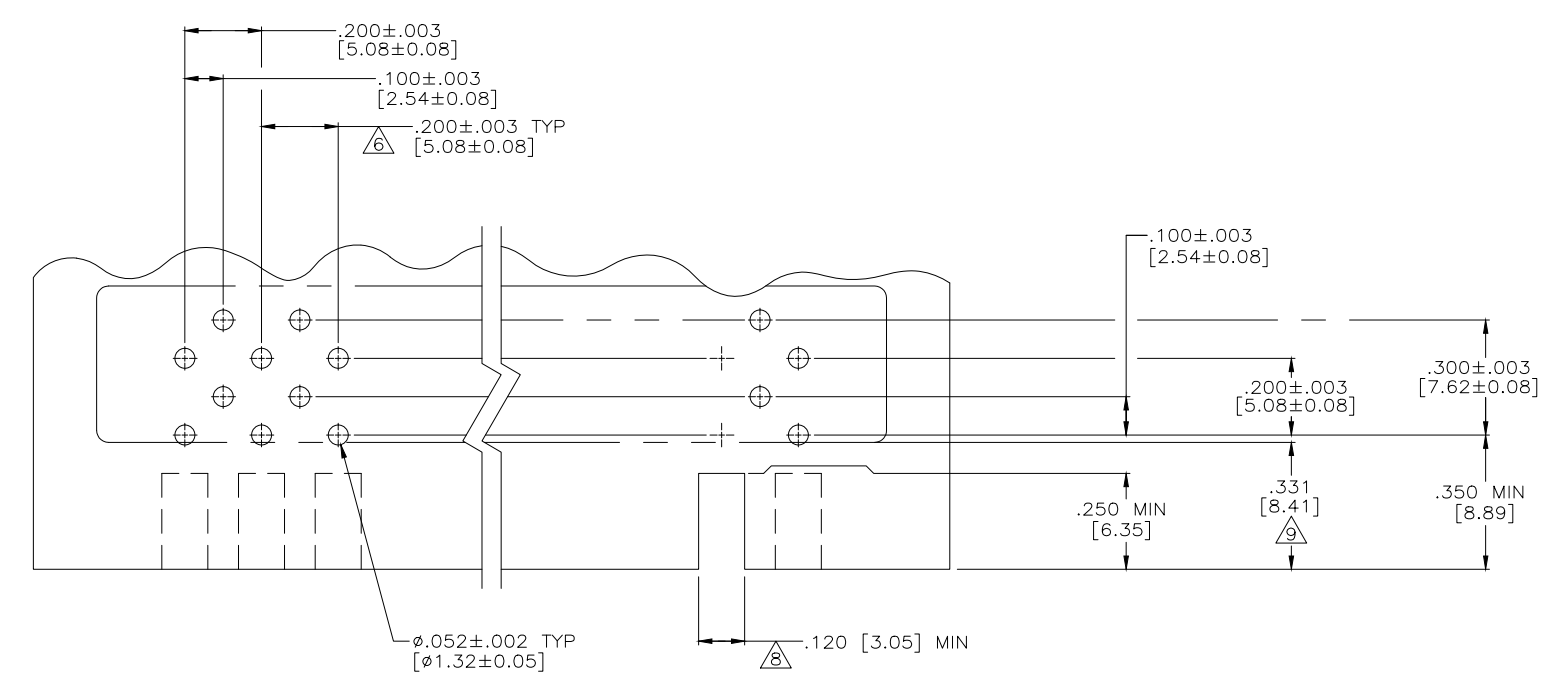


RECOMMENDED P.C. BOARD LAYOUT

|   |  |                                     |  |                    |                      |
|---|--|-------------------------------------|--|--------------------|----------------------|
| THIS DRAWING IS A CONTROLLED DOCUMENT.  |  | DWN<br>RAGHAV SATISH<br>30JUN2015   |  |                    |                      |
| DIMENSIONS: INCHES  |  | CHK<br>CHARLES THOMAS<br>30JUN2015  |  |                    |                      |
| TOLERANCES UNLESS OTHERWISE SPECIFIED:  |  | APVD<br>CHARLES THOMAS<br>30JUN2015 | NAME<br>ASSEMBLY, AMP BLADE<br>TAB HOUSING |                    |                      |
| 0 PLC ± -<br>1 PLC ± -<br>2 PLC ± -<br>3 PLC ± .005 [0.13]<br>4 PLC ± -<br>ANGLES ± -<br>FINISH - |  | PRODUCT SPEC                        | RESTRICTED TO                              |                    |                      |
| MATERIAL  |  | APPLICATION SPEC                    | SIZE<br>A1                                 | CAGE CODE<br>00779 | DRAWING NO<br>582152 |
|   |  | WEIGHT                              | SCALE<br>4:1                               |                    |                      |
| CUSTOMER DRAWING  |  | SHEET<br>1 OF 3                     |  | REV<br>AW          |                      |



VIEW Z-Z



RECOMMENDED P.C. BOARD LAYOUT

|  |                       |                                     |  |  |
|--|-----------------------|-------------------------------------|--|--|
| THIS DRAWING IS A CONTROLLED DOCUMENT. |                       | DWN<br>RAGHAV SATISH<br>30JUN2015   |  |  |
| DIMENSIONS: INCHES                     |                       | CHK<br>CHARLES THOMAS<br>30JUN2015  |  |  |
| TOLERANCES UNLESS OTHERWISE SPECIFIED: |                       | APPD<br>CHARLES THOMAS<br>30JUN2015 | NAME<br>ASSEMBLY, AMP BLADE<br>TAB HOUSING     |  |
| 0 PLC ± -                              | 1 PLC ± -             | PRODUCT SPEC                        | RESTRICTED TO                                  |  |
| 2 PLC ± -                              | 3 PLC ± .005 [0.13]   | APPLICATION SPEC                    | SIZE CAGE CODE DRAWING NO                      |  |
| 4 PLC ± -                              | ANGLES ± -            | FINISH                              | A1 00779 ©=582152                              |  |
| MATERIAL<br>SEE SHEET 1                | FINISH<br>SEE SHEET 1 | WEIGHT                              | CUSTOMER DRAWING SCALE 4:1 SHEET 2 OF 3 REV AW |  |

# WITH MOUNTING HOLES

# WITHOUT MOUNTING HOLES

| PART NO.   | NO OF CONT. | A     | B     | C     | D    | E    | .PC. BD. THICKNESS | NOTE | MARKING        |
|------------|-------------|-------|-------|-------|------|------|--------------------|------|----------------|
| 3-582152-1 | 17          | 2.390 | 1.764 | 2.130 | .120 | .265 | .0625              |      | -              |
| 3-582152-2 | 23          | 2.990 | 2.364 | 2.730 | .120 | .265 | .0625              |      | -              |
| 3-582152-3 | 29          | 3.590 | 2.964 | 3.330 | .120 | .265 | .0625              |      | -              |
| 3-582152-4 | 35          | 4.190 | 3.564 | 3.930 | .120 | .265 | .0625              |      | -              |
| 3-582152-5 | 41          | 4.790 | 4.164 | 4.530 | .120 | .265 | .0625              |      | -              |
| 3-582308-1 | 47          | 5.623 | 4.764 | 5.363 | .120 | .381 | .0625              |      | -              |
| 582852-4   | 41          | 4.790 | 4.164 | 4.530 | .120 | .265 | .0625              | △    | -              |
| 4-582308-1 | 47          | 5.623 | 4.764 | 5.363 | .120 | .381 | .0625              | △    | OBSOLETE-      |
| 4-582152-1 | 17          | 2.390 | 1.764 | 2.130 | .120 | .265 | .0625              | △    | OBSOLETE-      |
| 4-582152-3 | 29          | 3.590 | 2.964 | 3.330 | .120 | .265 | .0625              | △    | OBSOLETE-      |
| 5-582843-0 | 23          | 2.990 | 2.364 | 2.730 | .120 | .265 | .0625              | △    | -              |
| 5-582843-1 | 47          | 5.623 | 4.764 | 5.363 | .120 | .381 | .0625              | △    | -              |
| 582843-2   | 17          | 2.390 | 1.764 | 2.130 | .120 | .265 | .0625              |      | M 21097/ 14-01 |
| 582843-3   | 23          | 2.990 | 2.364 | 2.730 | .120 | .265 | .0625              |      | M 21097/ 14-04 |
| 582843-4   | 29          | 3.590 | 2.964 | 3.330 | .120 | .265 | .0625              |      | M 21097/ 14-07 |
| 582843-5   | 35          | 4.190 | 3.564 | 3.930 | .120 | .265 | .0625              |      | M 21097/ 14-10 |
| 582843-6   | 41          | 4.790 | 4.164 | 4.530 | .120 | .265 | .0625              |      | M 21097/ 14-13 |
| 582843-7   | 47          | 5.623 | 4.764 | 5.363 | .120 | .381 | .0625              |      | M 21097/ 14-16 |
| 582907-1   | 29          | 3.590 | 2.964 | 3.330 | .120 | .265 | .0625              | △    | OBSOLETE-      |
| 6-582152-1 | 17          | 2.390 | 1.764 | 2.130 | .152 | .265 | .0937              |      | OBSOLETE-      |
| 6-582152-2 | 23          | 2.990 | 2.364 | 2.730 | .152 | .265 | .0937              |      | OBSOLETE-      |
| 6-582152-3 | 29          | 3.590 | 2.964 | 3.330 | .152 | .265 | .0937              |      | OBSOLETE-      |
| 6-582152-4 | 35          | 4.190 | 3.564 | 3.930 | .152 | .265 | .0937              |      | -              |
| 6-582152-5 | 41          | 4.790 | 4.164 | 4.530 | .152 | .265 | .0937              |      | -              |
| 6-582308-1 | 47          | 5.623 | 4.764 | 5.363 | .152 | .381 | .0937              |      | -              |
| 7-582308-1 | 47          | 5.623 | 4.764 | 5.363 | .152 | .381 | .0937              | △    | OBSOLETE-      |
| 1-582843-4 | 17          | 2.390 | 1.764 | 2.130 | .152 | .265 | .0937              |      | M 21097/ 14-02 |
| 582843-1   | 23          | 2.990 | 2.364 | 2.730 | .152 | .265 | .0937              |      | M 21097/ 14-05 |
| 1-582843-5 | 29          | 3.590 | 2.964 | 3.330 | .152 | .265 | .0937              |      | M 21097/ 14-08 |
| 1-582843-6 | 35          | 4.190 | 3.564 | 3.930 | .152 | .265 | .0937              |      | M 21097/ 14-11 |
| 1-582843-7 | 41          | 4.790 | 4.164 | 4.530 | .152 | .265 | .0937              |      | M 21097/ 14-14 |
| 1-582843-8 | 47          | 5.623 | 4.764 | 5.363 | .152 | .381 | .0937              |      | M 21097/ 14-17 |
| 9-582152-1 | 17          | 2.390 | 1.764 | 2.130 | .183 | .265 | .125               |      | OBSOLETE-      |
| 9-582152-2 | 23          | 2.990 | 2.364 | 2.730 | .183 | .265 | .125               |      | OBSOLETE-      |
| 9-582152-3 | 29          | 3.590 | 2.964 | 3.330 | .183 | .265 | .125               |      | OBSOLETE-      |
| 9-582152-4 | 35          | 4.190 | 3.564 | 3.930 | .183 | .265 | .125               |      | OBSOLETE-      |
| 9-582152-5 | 41          | 4.790 | 4.164 | 4.530 | .183 | .265 | .125               |      | -              |
| 9-582308-1 | 47          | 5.623 | 4.764 | 5.363 | .183 | .381 | .125               |      | OBSOLETE-      |
| 2-582843-5 | 17          | 2.390 | 1.764 | 2.130 | .183 | .265 | .125               |      | M 21097/ 14-03 |
| 2-582843-6 | 23          | 2.990 | 2.364 | 2.730 | .183 | .265 | .125               |      | M 21097/ 14-06 |
| 2-582843-7 | 29          | 3.590 | 2.964 | 3.330 | .183 | .265 | .125               |      | M 21097/ 14-09 |
| 2-582843-8 | 35          | 4.190 | 3.564 | 3.930 | .183 | .265 | .125               |      | M 21097/ 14-12 |
| 2-982843-9 | 41          | 4.790 | 4.164 | 4.530 | .183 | .265 | .125               |      | M 21097/ 14-15 |
| 3-582843-0 | 47          | 5.623 | 4.764 | 5.363 | .183 | .381 | .125               |      | M 21097/ 14-18 |

| PART NO.   | NO OF CONT. | A     | B     | C | D    | E | .PC. BD. THICKNESS | NOTE | MARKING       |
|------------|-------------|-------|-------|---|------|---|--------------------|------|---------------|
| 3-582152-6 | 17          | 2.070 | 1.764 | - | .120 | - | .0625              |      | OBSOLETE-     |
| 3-582152-7 | 23          | 2.670 | 2.364 | - | .120 | - | .0625              |      | -             |
| 3-582152-8 | 29          | 3.270 | 2.964 | - | .120 | - | .0625              |      | -             |
| 3-582152-9 | 35          | 3.870 | 3.564 | - | .120 | - | .0625              |      | -             |
| 3-582152-0 | 41          | 4.470 | 4.164 | - | .120 | - | .0625              |      | -             |
| 3-582308-2 | 47          | 5.070 | 4.764 | - | .120 | - | .0625              |      | -             |
| 2-582152-9 | 35          | 3.870 | 3.564 | - | .120 | - | .0625              | △    | -             |
| 582152-1   | 23          | 2.670 | 2.364 | - | .120 | - | .0625              |      | -             |
| 582152-2   | 47          | 5.070 | 4.764 | - | .120 | - | .0625              |      | -             |
| 582152-3   | 35          | 3.870 | 3.564 | - | .120 | - | .0625              | △    | -             |
| 582843-8   | 17          | 2.070 | 1.764 | - | .120 | - | .0625              |      | M 21097/15-01 |
| 582843-9   | 23          | 2.670 | 2.364 | - | .120 | - | .0625              |      | M 21097/15-04 |
| 1-582843-0 | 29          | 3.270 | 2.964 | - | .120 | - | .0625              |      | M 21097/15-07 |
| 1-582843-1 | 35          | 3.870 | 3.564 | - | .120 | - | .0625              |      | M 21097/15-10 |
| 1-582843-2 | 41          | 4.470 | 4.164 | - | .120 | - | .0625              |      | M 21097/15-13 |
| 1-582843-3 | 47          | 5.070 | 4.764 | - | .120 | - | .0625              |      | M 21097/15-16 |
| 6-582152-6 | 17          | 2.070 | 1.764 | - | .152 | - | .0937              |      | OBSOLETE-     |
| 6-582152-7 | 23          | 2.670 | 2.364 | - | .152 | - | .0937              |      | -             |
| 6-582152-8 | 29          | 3.270 | 2.964 | - | .152 | - | .0937              |      | OBSOLETE-     |
| 6-582152-9 | 35          | 3.870 | 3.564 | - | .152 | - | .0937              |      | OBSOLETE-     |
| 6-582152-0 | 41          | 4.470 | 4.164 | - | .152 | - | .0937              |      | -             |
| 6-582308-2 | 47          | 5.070 | 4.764 | - | .152 | - | .0937              |      | -             |
| 1-582843-9 | 17          | 2.070 | 1.764 | - | .152 | - | .0937              |      | M 21097/15-02 |
| 2-582843-0 | 23          | 2.670 | 2.364 | - | .152 | - | .0937              |      | M 21097/15-05 |
| 2-582843-1 | 29          | 3.270 | 2.964 | - | .152 | - | .0937              |      | M 21097/15-08 |
| 2-582843-2 | 35          | 3.870 | 3.564 | - | .152 | - | .0937              |      | M 21097/15-11 |
| 2-582843-3 | 41          | 4.470 | 4.164 | - | .152 | - | .0937              |      | M 21097/15-14 |
| 2-582843-4 | 47          | 5.070 | 4.764 | - | .152 | - | .0937              |      | M 21097/15-17 |
| 9-582152-6 | 17          | 2.070 | 1.764 | - | .183 | - | .125               |      | OBSOLETE-     |
| 9-582152-7 | 23          | 2.670 | 2.364 | - | .183 | - | .125               |      | OBSOLETE-     |
| 9-582152-8 | 29          | 3.270 | 2.964 | - | .183 | - | .125               |      | OBSOLETE-     |
| 9-582152-9 | 35          | 3.870 | 3.564 | - | .183 | - | .125               |      | OBSOLETE-     |
| 9-582152-0 | 41          | 4.470 | 4.164 | - | .183 | - | .125               |      | OBSOLETE-     |
| 9-582308-2 | 47          | 5.070 | 4.764 | - | .183 | - | .125               |      | OBSOLETE-     |
| 3-582843-1 | 17          | 2.070 | 1.764 | - | .183 | - | .125               |      | M 21097/15-03 |
| 3-582843-2 | 23          | 2.670 | 2.364 | - | .183 | - | .125               |      | M 21097/15-06 |
| 3-582843-3 | 29          | 3.270 | 2.964 | - | .183 | - | .125               |      | M 21097/15-09 |
| 3-582843-4 | 35          | 3.870 | 3.564 | - | .183 | - | .125               |      | M 21097/15-12 |
| 3-582843-5 | 41          | 4.470 | 4.164 | - | .183 | - | .125               |      | M 21097/15-15 |
| 3-582843-6 | 47          | 5.070 | 4.764 | - | .183 | - | .125               |      | M 21097/15-18 |

- TAB-HOUSING ASSEMBLY MATES WITH AMP P/N 3-582151 SERIES.
  - BLADE CENTER LINE TO BE MEASURED FROM THE CENTER LINE FORMED BY THE ALIGNMENT PINS & AS LONG AS THE BLADES FALL WITHIN TOLERANCES INDICATED, THE ALLOWABLE WARPAGE IS INDEPENDENT OF THE BLADES & BECOMES A MEASUREMENT OF THE OUTSIDE SURFACE OF THE TAB-HOUSING & DOES NOT EFFECT THE MATING OF THIS TAB-HOUSING WITH 582151.
- △ MOUNTING HOLES.
  - △ POST TO BE SOLDER DIPPED. CONN. MUST MEET REQUIREMENTS OF AMP SPEC 109-11-1.
  - △ CONTACT MATL.; GILDING METAL. GOLD OVER NICKEL.
  - △ TOLERANCE NON CUMULATIVE.
  - △ TAB-HOUSING MATL.; DIALYL PHTHALATE, GLASS FILLED PER MIL-M-14, TYPE S.D.G.-F. COLOR; GREEN.
  - △ CUT OUT FOR KEYING BOSS, LOCATED WHERE REQD. (OPTIONAL)
  - △ FROM EDGE OF P.C. BOARD TO FACE OF TAB-HOUSING.
  - △ TYCO ELECTRONICS P/N NOT TO BE MARKED ON PART. AMP, DATE CODE, AND CUSTOMER PART NO. MARKED PER TABLE.
  - △ CONTACT FINISH; .0001 THK. GOLD, OVER NICKEL.
  - △ TAB-HOUSING MATL.; COLOR, GREY.
  - △ AMP, TYCO ELECTRONICS PART NO. AND DATE CODE MARKED PER TABLE IN THIS APPROX AREA.
  - △ CUSTOMER PART NO. MARKED PER TABLE IN THIS APPROX AREA.

THIS DRAWING IS A CONTROLLED DOCUMENT. DWN RAGHAV SATISH 30JUN2015  
 CHK CHARLES THOMAS 30JUN2015  
 APVD CHARLES THOMAS 30JUN2015

TE Connectivity

ASSEMBLY, AMP BLADE  
 TAB HOUSING

SIZE: A1 CAGE CODE: 00779 DRAWING NO: 582152 RESTRICTED TO: -  
 WEIGHT: -  
 CUSTOMER DRAWING SCALE: 4:1 SHEET 3 OF 3 REV AV

TOLERANCES UNLESS OTHERWISE SPECIFIED:  
 0 PLC ± -  
 1 PLC ± -  
 2 PLC ± -  
 3 PLC ± .005 (0.13)  
 4 PLC ± -  
 ANGLES ± -

THIS DRAWING IS UNPUBLISHED. RELEASED FOR PUBLICATION -- N/A --  
 © COPYRIGHT N/A By -- ALL RIGHTS RESERVED.

Компания «Life Electronics» занимается поставками электронных компонентов импортного и отечественного производства от производителей и со складов крупных дистрибьюторов Европы, Америки и Азии.

С конца 2013 года компания активно расширяет линейку поставок компонентов по направлению коаксиальный кабель, кварцевые генераторы и конденсаторы (керамические, пленочные, электролитические), за счёт заключения дистрибьюторских договоров

Мы предлагаем:

- Конкурентоспособные цены и скидки постоянным клиентам.
- Специальные условия для постоянных клиентов.
- Подбор аналогов.
- Поставку компонентов в любых объемах, удовлетворяющих вашим потребностям.
- Приемлемые сроки поставки, возможна ускоренная поставка.
- Доставку товара в любую точку России и стран СНГ.
- Комплексную поставку.
- Работу по проектам и поставку образцов.
- Формирование склада под заказчика.
- Сертификаты соответствия на поставляемую продукцию (по желанию клиента).
- Тестирование поставляемой продукции.
- Поставку компонентов, требующих военную и космическую приемку.
- Входной контроль качества.
- Наличие сертификата ISO.

В составе нашей компании организован Конструкторский отдел, призванный помогать разработчикам, и инженерам.

Конструкторский отдел помогает осуществить:

- Регистрацию проекта у производителя компонентов.
- Техническую поддержку проекта.
- Защиту от снятия компонента с производства.
- Оценку стоимости проекта по компонентам.
- Изготовление тестовой платы монтаж и пусконаладочные работы.



Тел: +7 (812) 336 43 04 (многоканальный)

Email: [org@lifeelectronics.ru](mailto:org@lifeelectronics.ru)