

PULSE-WIDTH-MODULATION CONTROL CIRCUITS

AZ7500E

General Description

The AZ7500E is a voltage mode pulse width modulation switching regulator control circuit designed primarily for power supply control.

The AZ7500E consists of a reference voltage circuit, two error amplifiers, an on-chip adjustable oscillator, a dead-time control (DTC) comparator, a pulse-steering control flip-flop, and an output control circuit. The precision of voltage reference (V_{REF}) is improved up to $\pm 1\%$ through trimming and this provides a better output voltage regulation. The AZ7500E provides for push-pull or single-ended output operation, which can be selected through the output control.

AZ7500E is the enhanced version of AZ7500B for it improves REF Pin's reliability comparing with AZ7500B.

The AZ7500E is available in standard packages of DIP-16 and SOIC-16.

Features

- Stable 4.95V Reference Voltage Trimmed to $\pm 1.0\%$ Accuracy
- Uncommitted Output TR for 200mA Sink or Source Current
- Single-End or Push-Pull Operation Selected by Output Control
- Internal Circuitry Prohibits Double Pulse at Either Output
- Complete PWM Control Circuit with Variable Duty Cycle
- On-Chip Oscillator With Master or Slave Operation

Applications

- SMPS
- Back Light Inverter
- Charger

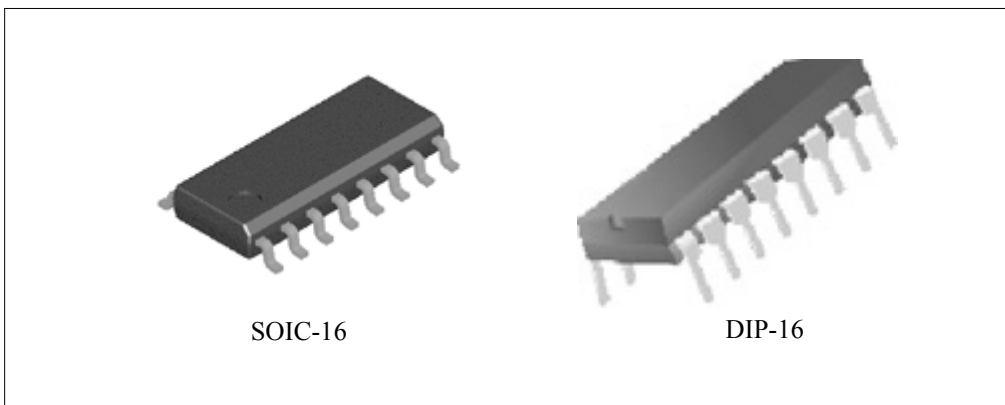


Figure 1. Package Types of AZ7500E

PULSE-WIDTH-MODULATION CONTROL CIRCUITS

AZ7500E

Pin Configuration

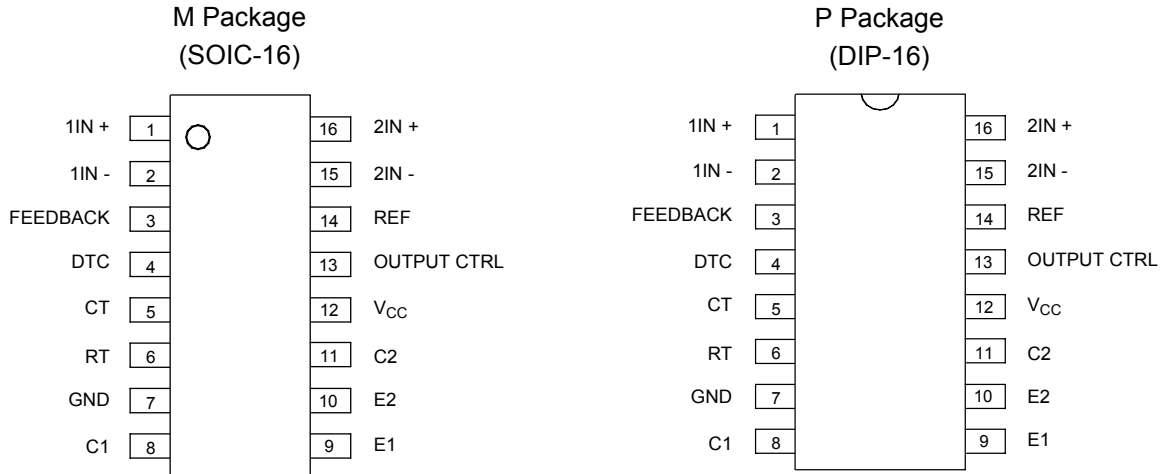


Figure 2. Pin Configuration of AZ7500E (Top View)

Output Function Control Table

Signal for Output Control	Output Function
$V_I = \text{GND}$	Single-ended or parallel output
$V_I = V_{\text{REF}}$	Normal push-pull operation

Functional Block Diagram

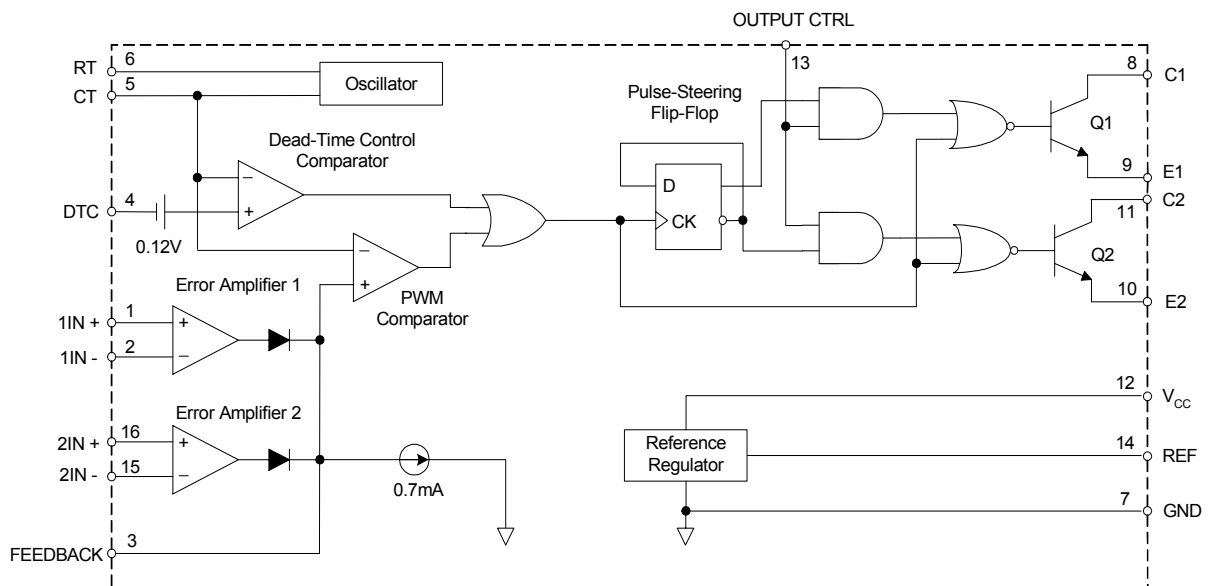


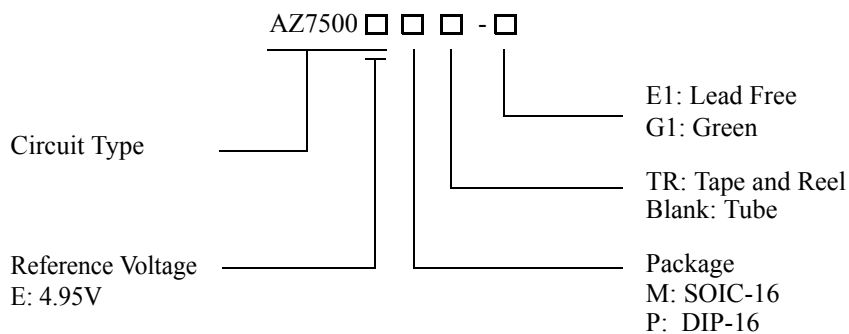
Figure 3. Functional Block Diagram of AZ7500E



PULSE-WIDTH-MODULATION CONTROL CIRCUITS

AZ7500E

Ordering Information



Package	Temperature Range	Part Number		Marking ID		Packing Type
		Lead Free	Green	Lead Free	Green	
SOIC-16	-40 to 85°C	AZ7500EM-E1	AZ7500EM-G1	AZ7500EM-E1	AZ7500EM-G1	Tube
		AZ7500EMTR-E1	AZ7500EMTR-G1	AZ7500EM-E1	AZ7500EM-G1	Tape & Reel
DIP-16		AZ7500EP-E1	AZ7500EP-G1	AZ7500EP-E1	AZ7500EP-G1	Tube

BCD Semiconductor's Pb-free products, as designated with "E1" suffix in the part number, are RoHS compliant. Products with "G1" suffix are available in green packages.

**PULSE-WIDTH-MODULATION CONTROL CIRCUITS****AZ7500E****Absolute Maximum Ratings (Note 1)**

Parameter	Symbol	Value	Unit
Supply Voltage (Note 2)	V_{CC}	40	V
Amplifier Input Voltage	V_I	-0.3 to $V_{CC} + 0.3$	V
Collector Output Voltage	V_O	40	V
Collector Output Current	I_O	250	mA
Package Thermal Impedance (Note 3)	$R_{\theta JA}$	M Package	73
		P Package	67
Lead Temperature 1.6mm from case for 10 seconds		260	°C
Storage Temperature Range	T_{STG}	-65 to 150	°C
ESD rating (Machine Model)		200	V

Note 1: Stresses greater than those listed under "Absolute Maximum Ratings" may cause permanent damage to the device. These are stress ratings only, and functional operation of the device at these or any other conditions beyond those indicated under "Recommended Operating Conditions" is not implied. Exposure to "Absolute Maximum Ratings" for extended periods may affect device reliability.

Note 2: All voltage values are with respect to the network ground terminal.

Note 3: Maximum power dissipation is a function of $T_J(\max)$, $R_{\theta JA}$ and T_A . The maximum allowable power dissipation at any allowable ambient temperature is $P_D = (T_J(\max) - T_A)/R_{\theta JA}$. Operating at the absolute maximum T_J of 150°C can affect reliability.

Recommended Operating Conditions

Parameter	Symbol	Min	Typ	Max	Unit
Supply Voltage	V_{CC}	7	15	36	V
Collector Output Voltage	V_{C1}, V_{C2}		30	36	V
Collector Output Current (Each Transistor)	I_{C1}, I_{C2}			200	mA
Amplifier Input Voltage	V_I	0.3		$V_{CC} - 2$	V
Current Into Feedback Terminal	I_{FB}			0.3	mA
Reference Output Current	I_{REF}			10	mA
Timing Capacitor	C_T	0.00047	0.001	10	μF
Timing Resistor	R_T	1.8	30	500	KΩ
Oscillator Frequency	f_{osc}	1.0	40	200	KHz
PWM Input Voltage (Pin 3, 4, 14)		0.3		5.3	V
Operating Free-Air Temperature	T_A	-40		85	°C



PULSE-WIDTH-MODULATION CONTROL CIRCUITS

AZ7500E

Electrical Characteristics

$T_A = 25^{\circ}\text{C}$, $V_{CC}=20\text{V}$, $f=10\text{KHz}$ unless otherwise noted.

Parameter	Symbol	Conditions	Min	Typ	Max	Unit
Reference Section						
Output Reference Voltage	V_{REF}	$I_{REF}=1\text{mA}$	4.90	4.95	5.0	V
		$I_{REF}=1\text{mA}$, $T_A = -40$ to 85°C	4.85	4.95	5.05	V
Line Regulation	R_{LINE}	$V_{CC} = 7\text{V}$ to 36V		2	25	mV
Load Regulation	R_{LOAD}	$I_{REF}=1\text{mA}$ to 10mA		1	15	mV
Short-Circuit Output Current	I_{SC}	$V_{REF} = 0\text{V}$	10	35	50	mA
Oscillator Section						
Oscillator Frequency	f_{OSC}	$C_T=0.001\mu\text{F}$, $R_T=30\text{K}\Omega$		40		KHz
		$C_T=0.01\mu\text{F}$, $R_T=12\text{K}\Omega$	9.2	10	10.8	
		$C_T=0.01\mu\text{F}$, $R_T=12\text{K}\Omega$, $T_A = -40$ to 85°C	9.0		12	
Frequency Change with Temperature	$\Delta f / \Delta T$	$C_T=0.01\mu\text{F}$, $R_T=12\text{K}\Omega$, $T_A = -40$ to 85°C			1	%
Dead-Time Control Section						
Input Bias Current	I_{BIAS}	$V_{CC}=15\text{V}$, $V_4= 0$ to 5.25V		-2	-10	μA
Maximum Duty Cycle	$D(\text{MAX})$	$V_{CC}=15\text{V}$, $V_4= 0\text{V}$, $\text{Pin } 13= V_{REF}$	45			%
Input Threshold Voltage	V_{ITH}	Zero Duty Cycle		3	3.3	V
		Maximum Duty Cycle	0			
Error-Amplifier Section						
Input Offset Voltage	V_{IO}	$V_3 = 2.5\text{V}$		2	10	mV
Input Offset Current	I_{IO}	$V_3 = 2.5\text{V}$		25	250	nA
Input Bias Current	I_{BIAS}	$V_3 = 2.5\text{V}$		0.2	1	μA
Common-Mode Input Voltage Range	V_{CM}	$V_{CC}=7\text{V}$ to 36V	-0.3		$V_{CC}-2$	V
Open-Loop Voltage Gain	G_{VO}	$V_O = 0.5\text{V}$ to 3.5V	70	95		dB
Unity-Gain Bandwidth	BW			650		KHz
Common-Mode Rejection Ratio	CMRR		65	80		dB
Output Sink Current (Feedback)	I_{SINK}	$V_{ID} = -15\text{mV}$ to -5V , $V_3 = 0.7\text{V}$	-0.3	-0.7		mA
Output Source Current (Feedback)	I_{SOURCE}	$V_{ID}=15\text{mV}$ to 5V $V_3 = 3.5\text{V}$	2			mA

**PULSE-WIDTH-MODULATION CONTROL CIRCUITS****AZ7500E****Electrical Characteristics (Continued)**

Parameter	Symbol	Conditions	Min	Typ	Max	Unit
PWM Comparator Section						
Input Threshold Voltage	V_{ITH}	Zero duty cycle		4	4.5	V
Input Sink Current	I_{SINK}	$V_3 = 0.7V$	-0.3	-0.7		mA
Output Section						
Output Saturation Voltage	Common Emitter	$V_{CE(SAT)}$ $V_E = 0V, I_C = 200mA$		1.1	1.3	V
	Emitter Follower	$V_{CC(SAT)}$ $V_{CC} = 15V, I_E = -200mA$		1.5	2.5	
Collector Off-State Current	$I_C(OFF)$	$V_{CE} = 36V, V_{CC} = 36V$		2	100	μA
Emitter Off-State Current	$I_E(OFF)$	$V_{CC} = V_C = 36V, V_E = 0$			-100	μA
Total Device						
Supply Current	I_{CC}	Pin 6 = V_{REF} , $V_{CC} = 15V$		6	10	mA
Output Switching Characteristics						
Rise Time	t_R	Common Emitter Common Collector		100	200	ns
Fall Time	t_F	Common Emitter Common Collector		25	100	ns

Parameter Measurement information

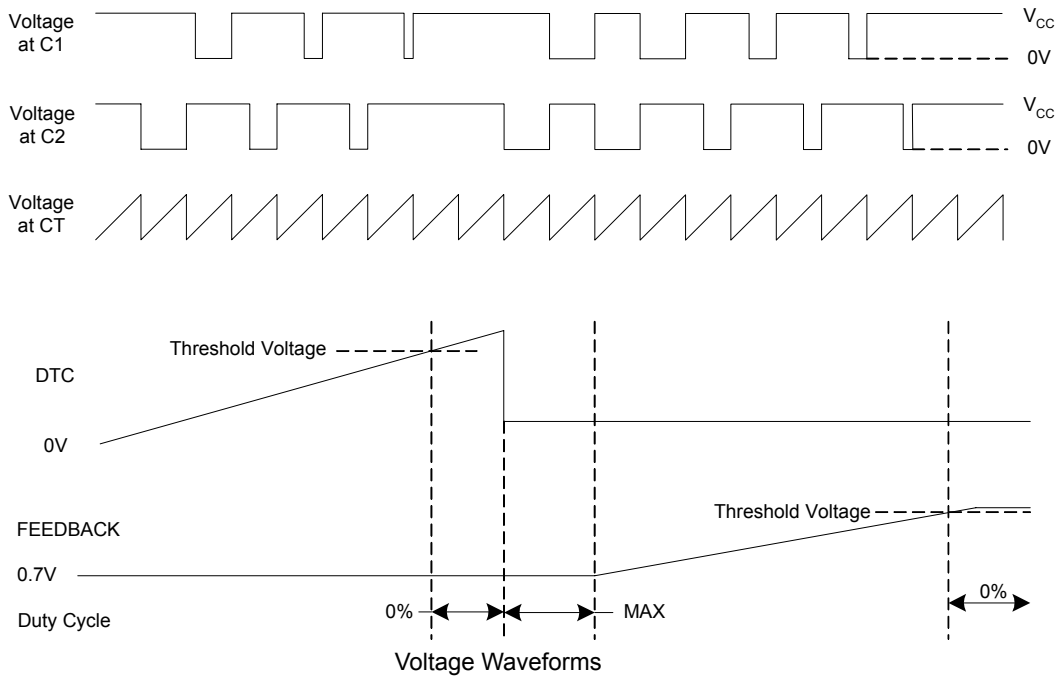
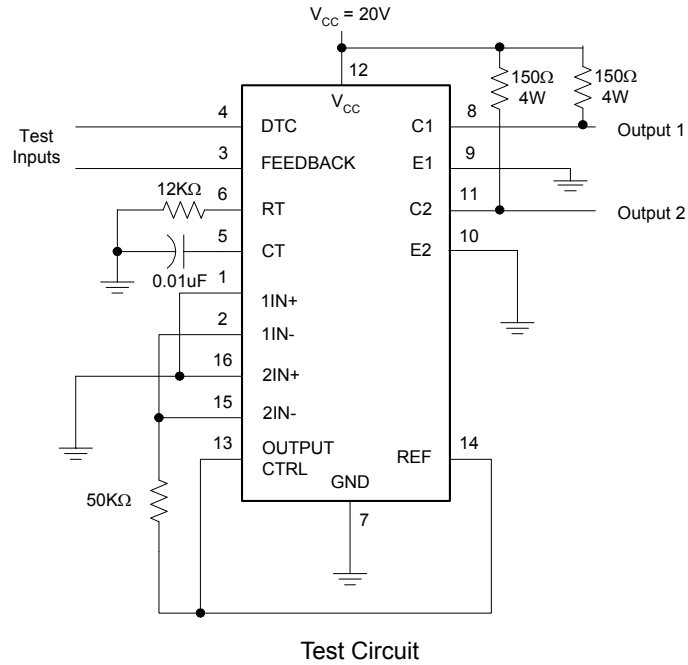


Figure 4. Operational Test Circuit and Waveforms

Parameter Measurement information (Continued)

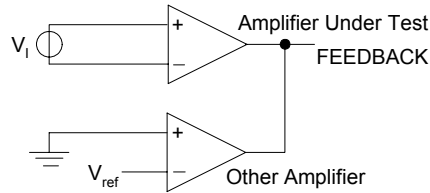
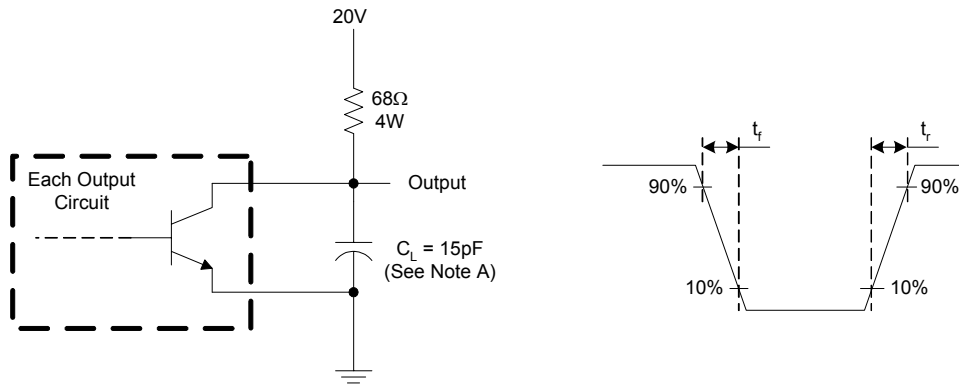
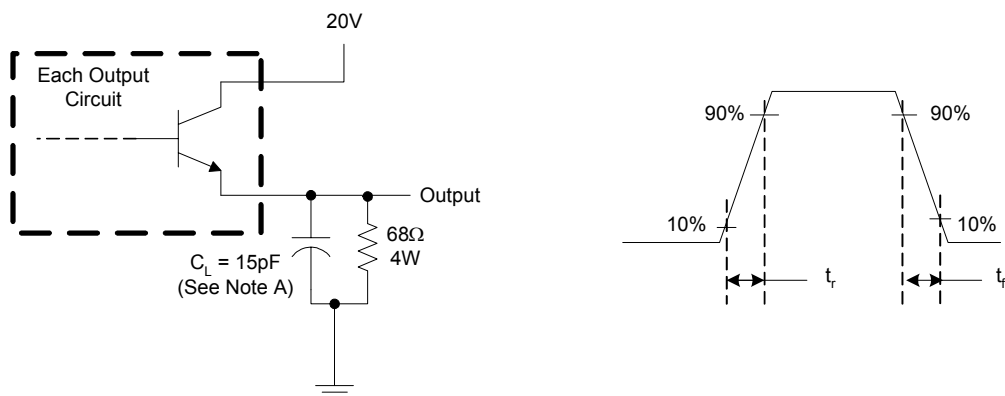


Figure 5. Error Amplifier Characteristics



Note A: C_L includes probe and jig capacitance.

Figure 6. Common-Emitter Configuration



Note A: C_L includes probe and jig capacitance.

Figure 7. Emitter-Follower Configuration



Typical Performance Characteristics

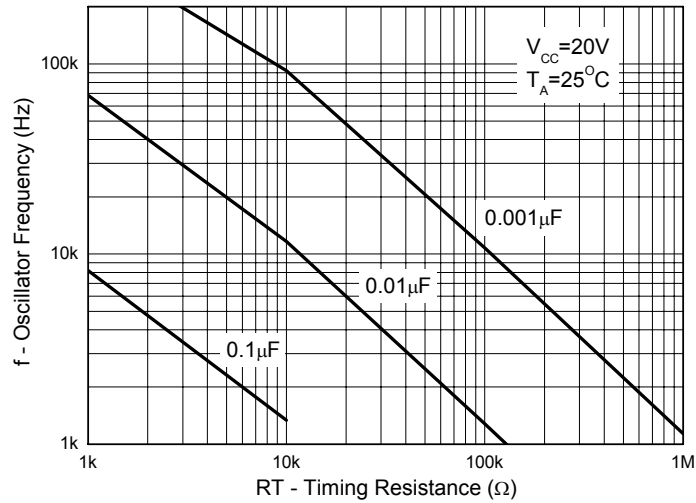


Figure 8. Oscillator Frequency vs. RT and CT

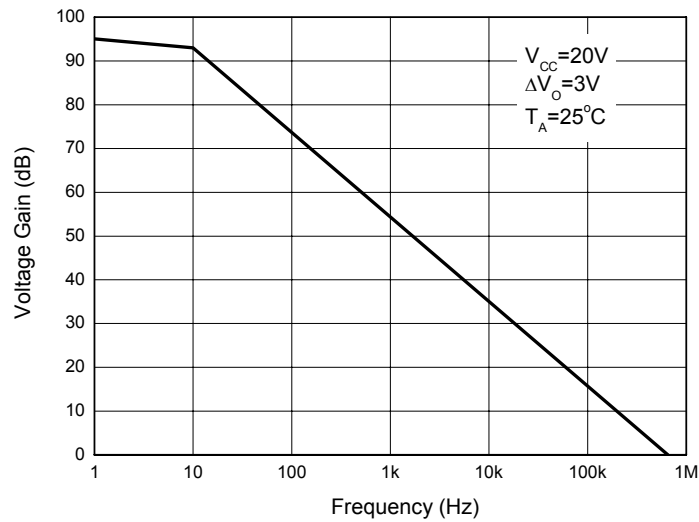


Figure 9. Error Amplifier Small-Signal Voltage Gain vs. Frequency

Typical Applications

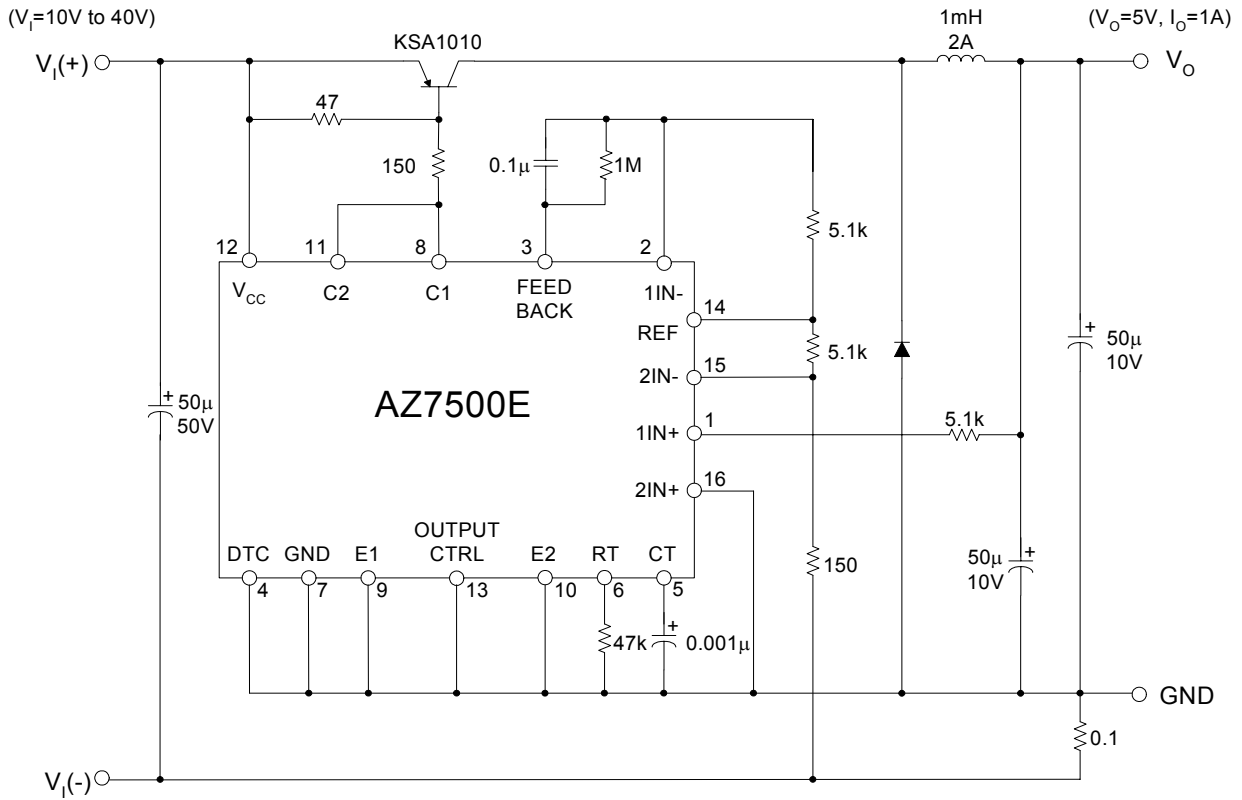
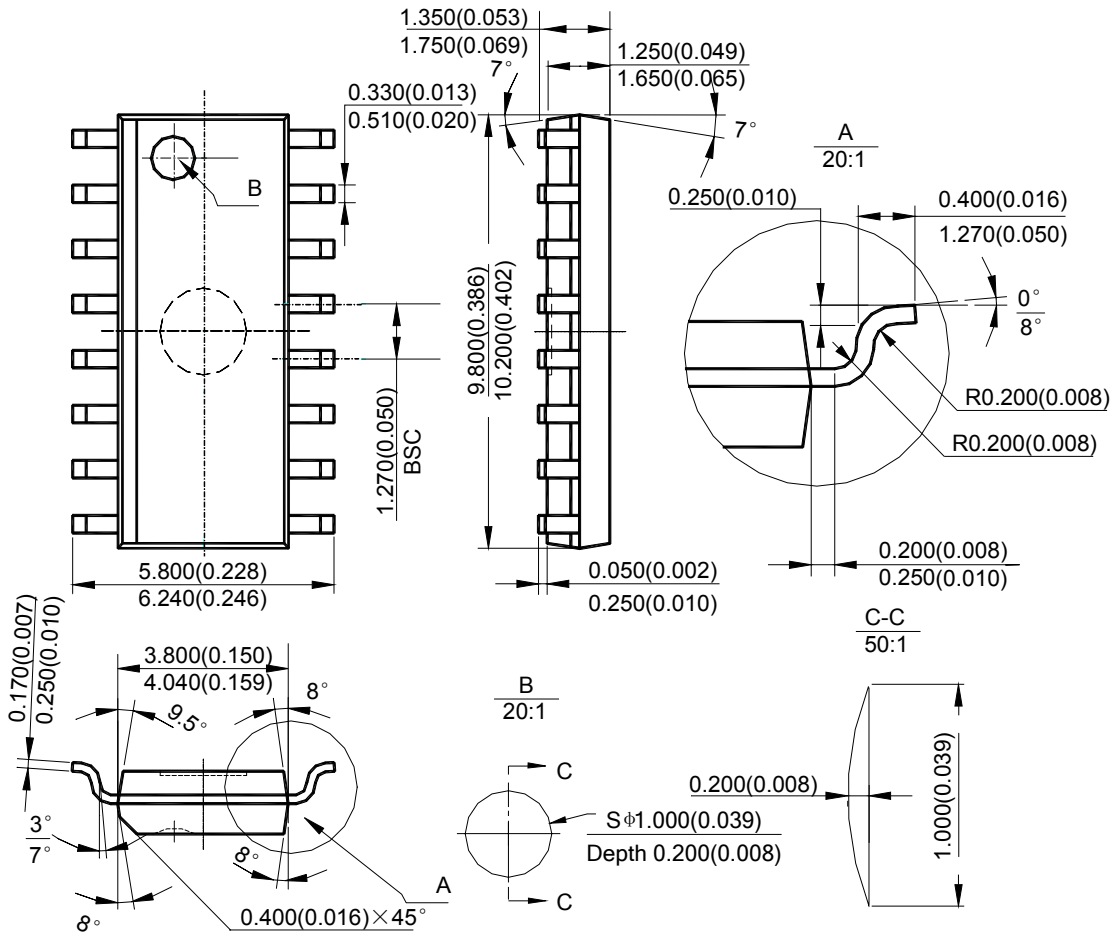


Figure 10. Pulse Width Modulated Step-Down Converter

Mechanical Dimensions

SOIC-16

Unit: mm(inch)



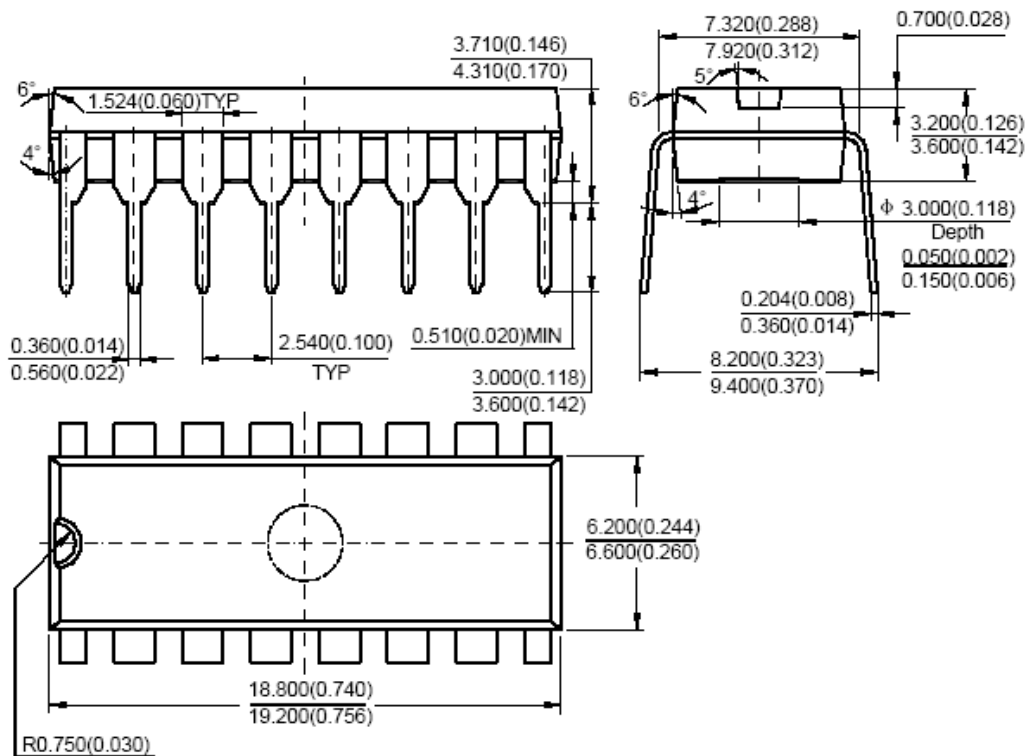
Note: Eject hole, oriented hole and mold mark is optional.



Mechanical Dimensions (Continued)

DIP-16

Unit: mm(inch)



Note: Eject hole, oriented hole and mold mark is optional.



BCD Semiconductor Manufacturing Limited

<http://www.bcdsemi.com>

IMPORTANT NOTICE

BCD Semiconductor Manufacturing Limited reserves the right to make changes without further notice to any products or specifications herein. BCD Semiconductor Manufacturing Limited does not assume any responsibility for use of any its products for any particular purpose, nor does BCD Semiconductor Manufacturing Limited assume any liability arising out of the application or use of any its products or circuits. BCD Semiconductor Manufacturing Limited does not convey any license under its patent rights or other rights nor the rights of others.

MAIN SITE

- Headquarters

BCD Semiconductor Manufacturing Limited

No. 1600, Zi Xing Road, Shanghai ZiZhu Science-based Industrial Park, 200241, China
Tel: +86-21-24162266, Fax: +86-21-24162277

- Wafer Fab

Shanghai SIM-BCD Semiconductor Manufacturing Co., Ltd.

800 Yi Shan Road, Shanghai 200233, China
Tel: +86-21-6485 1491, Fax: +86-21-5450 0008

REGIONAL SALES OFFICE

Shenzhen Office

Shanghai SIM-BCD Semiconductor Manufacturing Co., Ltd., Shenzhen Office

Unit A Room 1203, Skyworth Bldg., Gaoxin Ave. 1.S., Nanshan District, Shenzhen, China
Tel: +86-755-8826 7951
Fax: +86-755-8826 7865

Taiwan Office

BCD Semiconductor (Taiwan) Company Limited

4F, 298-1, Rui Guang Road, Nei-Hu District, Taipei, Taiwan
Tel: +886-2-2656 2808
Fax: +886-2-2656 2806

USA Office

BCD Semiconductor Corp.

30920 Huntwood Ave. Hayward, CA 94544, USA
Tel : +1-510-324-2988
Fax: +1-510-324-2788

Компания «Life Electronics» занимается поставками электронных компонентов импортного и отечественного производства от производителей и со складов крупных дистрибьюторов Европы, Америки и Азии.

С конца 2013 года компания активно расширяет линейку поставок компонентов по направлению коаксиальный кабель, кварцевые генераторы и конденсаторы (керамические, пленочные, электролитические), за счёт заключения дистрибьюторских договоров

Мы предлагаем:

- Конкурентоспособные цены и скидки постоянным клиентам.
- Специальные условия для постоянных клиентов.
- Подбор аналогов.
- Поставку компонентов в любых объемах, удовлетворяющих вашим потребностям.
- Приемлемые сроки поставки, возможна ускоренная поставка.
- Доставку товара в любую точку России и стран СНГ.
- Комплексную поставку.
- Работу по проектам и поставку образцов.
- Формирование склада под заказчика.
- Сертификаты соответствия на поставляемую продукцию (по желанию клиента).
- Тестирование поставляемой продукции.
- Поставку компонентов, требующих военную и космическую приемку.
- Входной контроль качества.
- Наличие сертификата ISO.

В составе нашей компании организован Конструкторский отдел, призванный помогать разработчикам, и инженерам.

Конструкторский отдел помогает осуществить:

- Регистрацию проекта у производителя компонентов.
- Техническую поддержку проекта.
- Защиту от снятия компонента с производства.
- Оценку стоимости проекта по компонентам.
- Изготовление тестовой платы монтаж и пусконаладочные работы.



Тел: +7 (812) 336 43 04 (многоканальный)

Email: org@lifeelectronics.ru