

## +5V Powered Isolated RS-232 Drivers/Receivers

### General Description

The MAX250 and MAX251 chip set form the heart of a complete, electrically isolated, RS-232 dual transmitter/receiver. By combining many functions on two chips, the cost and complexity required for an isolated digital interface is greatly reduced. Four low cost optocouplers, four capacitors, a diode and a small pot-core type transformer are all that are required to complete a 19.2k baud transceiver. Faster data rates are possible by using high speed optocouplers. In addition to the driving and receiving circuitry for the optocouplers, the chip set includes a push-pull transformer driver to supply power to the interface's isolated side.

Other convenient features include single +5V operation, a low power shutdown mode, and output enable control for three-state operation. The MAX250 and MAX251 are supplied in 14 lead DIP, 14 lead small outline and 20 leadless chip carrier packages.

The MAX252 has all the required components for RS-232 communication in a single package.

### Applications

High Noise Data Communications  
Industrial Communications  
Data Links To Analog Circuits  
Bridge Ground Differentials

### Features

- ◆ Isolated Data Interface
- ◆ Single +5V Supply
- ◆ Uses Low Cost Optocouplers
- ◆ 5μW Low Power Shutdown
- ◆ 2 Transmitters and 2 Receivers

### Ordering Information

PART	TEMP. RANGE	PACKAGE*
MAX250CPD	0°C to +70°C	14 Lead Plastic DIP
MAX250CSD	0°C to +70°C	14 Lead SO
MAX250C/D	0°C to +70°C	Dice
MAX250EPD	-40°C to +85°C	14 Lead Plastic DIP
MAX250ESD	-40°C to +85°C	14 Lead SO
MAX250EJD	-40°C to +85°C	14 Lead CERDIP
MAX250MJD	-55°C to +125°C	14 Lead CERDIP
MAX250MLP	-55°C to +125°C	20 Lead LCC
MAX251CPD	0°C to +70°C	14 Lead Plastic DIP
MAX251CSD	0°C to +70°C	14 Lead SO
MAX251C/D	0°C to +70°C	Dice
MAX251EPD	-40°C to +85°C	14 Lead Plastic DIP
MAX251ESD	-40°C to +85°C	14 Lead SO
MAX251EJD	-40°C to +85°C	14 Lead CERDIP
MAX251MJD	-55°C to +125°C	14 Lead CERDIP
MAX251MLP	-55°C to +125°C	20 Lead LCC

\* Maxim reserves the right to ship Ceramic packages in lieu of CERDIP packages.

### Pin Configurations



For pricing, delivery, and ordering information, please contact Maxim Direct at 1-888-629-4642, or visit Maxim's website at [www.maximintegrated.com](http://www.maximintegrated.com).

# MAX250/MAX251

## +5V Powered Isolated RS-232 Drivers/Receivers

### ABSOLUTE MAXIMUM RATINGS: MAX250

Supply Voltage,  $V_{CC}$  ..... 6V  
 Input Voltages ..... -0.3V to ( $V_{CC} + 0.3V$ )  
 Output Drive Current, D1, D2 ..... 240mA  
 Output Drive Voltage, D1, D2 .....  $V_{CC} + 6V$   
 Opto Driver pins T1<sub>LDR</sub>, T2<sub>LDR</sub>, R1<sub>OUT</sub> and R2<sub>OUT</sub> may be shorted one at a time indefinitely to  $V_{CC}$  or GND

Power Dissipation  
 Plastic DIP (derate 7mW/°C above 70°C) ..... 375mW  
 CERDIP (derate 9.5mW/°C above 70°C) ..... 675mW  
 Small Outline (derate 7mW/°C above 70°C) ..... 375mW  
 LCC (derate 7mW/°C above 70°C) ..... 375mW  
 Lead Temperature (Soldering, 10 seconds) ..... +300°C  
 Storage Temperature ..... -65°C to +160°C

Stresses above those listed under "Absolute Maximum Ratings" may cause permanent damage to the device. These are stress ratings only and functional operation of the device at these or any other conditions above those indicated in the operational section of the specification is not implied. Exposure to absolute maximum rating conditions for extended periods may affect device reliability.

### ELECTRICAL CHARACTERISTICS: MAX250

( $V_{CC} = 5V \pm 10\%$ ,  $T_A =$  Full Temperature Range unless otherwise noted.)

PARAMETER	SYMBOL	CONDITIONS	MIN	TYP	MAX	UNITS
Supply Voltage Range	$V_{CC}$	Over Temp.	4.5		5.5	V
Operating Supply Current	$I_{CC}$	D1, D2 Open		0.1	0.5	mA
Shutdown Supply Current	$I_{CS}$	Shutdown $T_A = -40^\circ\text{C}$ to $+85^\circ\text{C}$ $T_A = -55^\circ\text{C}$ to $+125^\circ\text{C}$		1	10 100	$\mu\text{A}$
Input Currents	$I_{EN}$ , $I_{SHDN}$	input = GND to $V_{CC}$		0.001	1	$\mu\text{A}$
<b>POWER DRIVER D1, D2</b>						
Switch Frequency	$f_{D1, D2}$	$V_{CC} = 5V$ , $T_A = 25^\circ\text{C}$	100	200	275	kHz
ON Resistance Power Driver	$r_{DS(ON)}$	At 25 mA		25	50	$\Omega$
Leakage Current					10	$\mu\text{A}$
Zener Clamp Voltage	$V_{CL}$	w. r. t. $V_{CC}$	6	8	10	V
<b>DRIVER SECTION</b>						
Pull-up Current Input source	$I_P$	$V_{CC} = 5V$ , $V_{IN} = 0V$ , $T_A = 25^\circ\text{C}$	2	3	6	$\mu\text{A}$
Current Output Source	$I_S$	$V_{OUT} = 1.4V$ , $T_A = 25^\circ\text{C}$	-5	-8	-15	mA
TTL/CMOS Output Voltage Low	$V_{OL}$	$I_{OUT} = 3.2\text{mA}$			0.4	V
TTL/CMOS Output Voltage High	$V_{OH}$	$I_{OUT} = -1.0\text{mA}$	2.4			V
Input Logic Threshold High	$V_{IH}$	$T_{IN}$ , $R_{DIN}$ , $\overline{EN}$ , Shutdown		1.8	2.4	V
Input Logic Threshold Low	$V_{IL}$	$T_{IN}$ , $R_{DIN}$ , $\overline{EN}$ , Shutdown	0.8	1.3		V
Input Hysteresis	$V_{IHYS}$			0.5		V
Leakage Current Input and Output	$I_I$	( $\overline{EN}$ or Shutdown) = $V_{CC}$			10	$\mu\text{A}$
Input Capacitance	$C_{IN}$			5		pF

# MAX250/MAX251

## +5V Powered Isolated RS-232 Drivers/Receivers

### ABSOLUTE MAXIMUM RATINGS: MAX251

Positive Input Voltage, AC terminal	15V	Diode Forward Current (AC to V <sup>+</sup> )	250mA
Positive Input Voltage, V <sup>+</sup> terminal	14V	Reverse Diode Voltage	-28V
Negative Input Voltage, V <sup>-</sup> terminal	-14V	Power Dissipation	
RS-232 Input Voltage	-30V to 30V	Plastic DIP (derate 7mW/°C above 70°C)	375mW
RS-232 Applied Output Voltage	-15V to 15V	CERDIP (derate 9.5mW/°C above 70°C)	675mW
Tristate Input Voltage, V <sub>RTRI</sub>	-0.3V to (V <sup>+</sup> + 0.3V)	Small Outline (derate 7mW/°C above 70°C)	375mW
RS-232 Transmitters may be indefinitely shorted to GND		LCC (derate 7mW/°C above 70°C)	375mW
Opto Driver pins R1 <sub>LDR</sub> , R2 <sub>LDR</sub> may be shorted one at a time indefinitely to GND		Lead Temperature (Soldering, 10 seconds)	+300°C
		Storage Temperature	-65°C to +160°C

Stresses above those listed under "Absolute Maximum Ratings" may cause permanent damage to the device. These are stress ratings only and functional operation of the device at these or any other conditions above those indicated in the operational section of the specification is not implied. Exposure to absolute maximum rating conditions for extended periods may affect device reliability.

### ELECTRICAL CHARACTERISTICS: MAX251

(Test Circuit 1. See Figure 3. T<sub>A</sub> = Full Temperature Range unless otherwise noted.)

PARAMETER	SYMBOL	CONDITIONS	MIN	TYP	MAX	UNITS
Positive Supply Current	I <sup>+</sup>	R <sub>L</sub> = ∞		0.7	2.5	mA
Negative Supply Current	I <sup>-</sup>	R <sub>L</sub> = ∞		0.45	1.0	mA
<b>RS-232 CHARACTERISTICS</b>						
RS-232 Output Voltage Swing	T <sub>VS</sub>	All Transmitter Outputs loaded with 3kΩ to Ground	±5	±7.2		V
RS-232 Output Leakage Current	T <sub>OL</sub>	V <sup>+</sup> = V <sup>-</sup> = 0V T <sub>OUT</sub> = ±15V	-10		+10	μA
RS-232 Input Threshold High	V <sub>IH</sub>			1.8	3.0	V
RS-232 Input Threshold Low	V <sub>IL</sub>		0.6	1.2		V
RS-232 Input Hysteresis	V <sub>IHYS</sub>			0.6		V
RS-232 Input Resistance		T <sub>A</sub> = 25°C	3		7	kΩ
3-State Enable	t <sub>FN</sub>			3.5		μs
3-State Disable	t <sub>DS</sub>			1.0		μs
Transmitter Slew Rate		R <sub>L</sub> = 3kΩ, C <sub>L</sub> = 2500pF	3			V/μs
<b>OPTOINTERFACE CHARACTERISTICS</b>						
Input Pull-up Current	I <sub>P</sub>	T <sub>A</sub> = 25°C	2.5	4	6	μA
Input Pull-up Voltage Clamp	V <sub>PCL</sub>	w. r. t. ISO GND		3		V
Input Threshold Voltage High	V <sub>IH</sub>			1.5	2	V
Input Threshold Voltage Low	V <sub>IL</sub>		0.8	1.2		V
Input Hysteresis Voltage	V <sub>IHYS</sub>			0.3		V



# MAX250/MAX251

## +5V Powered Isolated RS-232 Drivers/Receivers

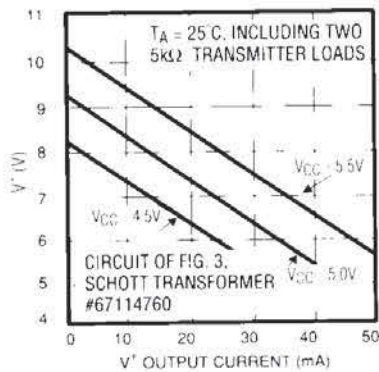
### ELECTRICAL CHARACTERISTICS: MAX251 (continued)

(Test Circuit 1, See Figure 3,  $T_A$  = Full Temperature Range unless otherwise noted.)

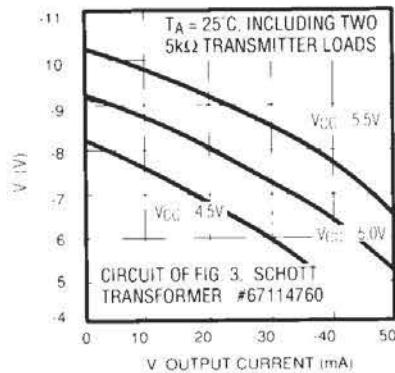
PARAMETER	SYMBOL	CONDITIONS	MIN	TYP	MAX	UNITS
Output Source Current	$I_{PH}$	$V_{OUT} = 1.4V$ , $T_A = 25^\circ C$	-12	-7	-5	mA
Output Voltage Low	$V_{OL}$	$I_{OUT} = 3.2mA$			0.4	V
Output Leakage Current, $R1_{LDR}$ , $R2_{LDR}$	$I_L$	(RTR) or Shutdown) = +5V			10	$\mu A$
<b>3-STATE CONTROL</b>						
Pulldown Current	$I_{IPD}$	$V = GND$	10	4	1	$\mu A$
Threshold Voltage	$V_T$		0.6	1.4	2	V

### Typical Operating Characteristics

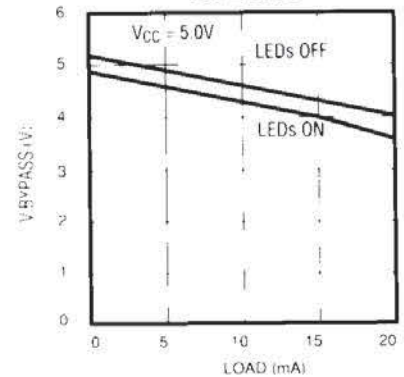
**MAX251  $V^+$  SUPPLY VOLTAGE vs. LOAD CURRENT**



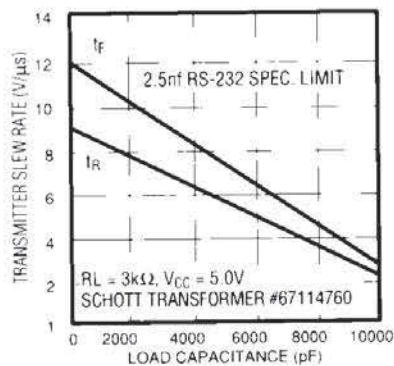
**MAX251  $V^-$  SUPPLY VOLTAGE vs. LOAD CURRENT**



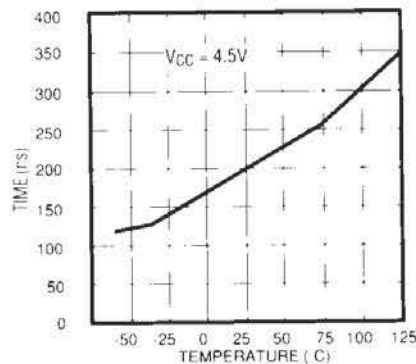
**MAX251  $V^-$  BYPASS vs. LOAD**



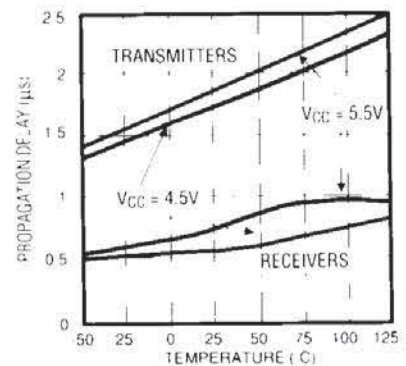
**MAX251 TRANSMITTER SLEW RATE vs. LOAD CAPACITANCE**



**MAX250 PROPAGATION DELAY vs. TEMPERATURE**



**MAX251 PROPAGATION DELAY vs. TEMPERATURE**



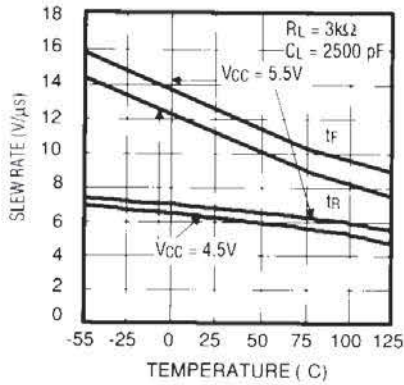


# MAX250/MAX251

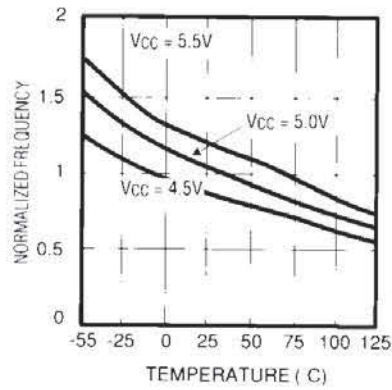
## +5V Powered Isolated RS-232 Drivers/Receivers

Typical Operating Characteristics (continued)

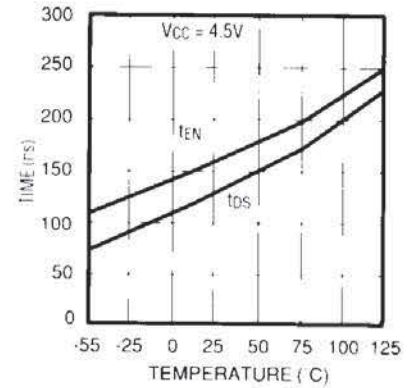
**MAX251 TRANSMITTER SLEW RATE vs. TEMPERATURE**



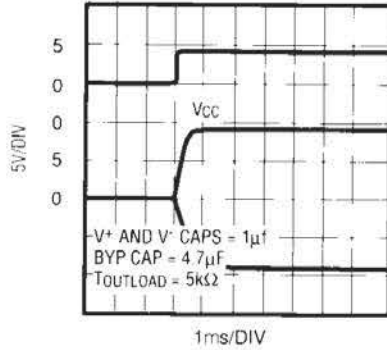
**MAX250 D1, D2 SWITCH FREQUENCY vs. TEMPERATURE**



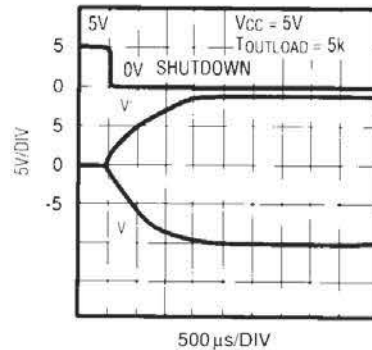
**MAX250 ENABLE, DISABLE TIME vs. TEMPERATURE**



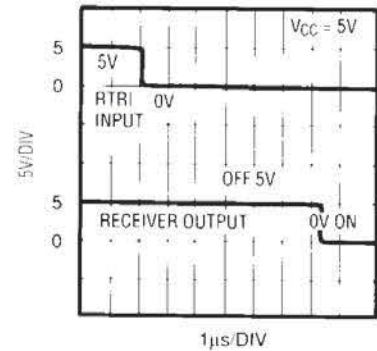
**POWER UP DELAY FROM MAX250 Vcc TO MAX251 TRANSMITTER OUTPUTS**



**TIME FROM SHUTDOWN TO POWER UP**



**RTRI DELAY TIME TO RECEIVER OUTPUT ACTIVE**



# MAX250/MAX251

## +5V Powered Isolated RS-232 Drivers/Receivers

### Pin Description

MAX250 LCC PIN#	MAX250 DIP & SO PIN#	SYMBOL	DESCRIPTION
1	-	N.C.	
2	1	SHDN	Shutdown: When +5V, turns off the oscillator, disconnects driver input pull-up resistors and opens D1, D2. For normal operation, ground shutdown.
3	2	D1	Open Drain of Transformer Driver MOSFET
4	3	T1 <sub>LDR</sub>	Transmitter #1 LED Driver
5	4	T1 <sub>IN</sub>	TTL/CMOS Transmitter #1 Input
6	-	N.C.	
7	5	T2 <sub>IN</sub>	TTL/CMOS Transmitter #2 Input
8	6	T2 <sub>LDR</sub>	Transmitter #2 LED Driver
9	-	N.C.	
10	7	GND	Ground
11	-	N.C.	
12	8	EN	Output Enable: When +5V, Pins T1 <sub>LDR</sub> , T2 <sub>LDR</sub> , R1 <sub>OUT</sub> and R2 <sub>OUT</sub> go Hi impedance
13	-	N.C.	
14	9	R1 <sub>OUT</sub>	TTL/CMOS Receiver #1 Output
15	10	R1 <sub>DIN</sub>	Receiver #1 Detector Input
16	-	N.C.	
17	11	R2 <sub>DIN</sub>	Receiver #2 Detector Input
18	12	R2 <sub>OUT</sub>	TTL/CMOS Receiver #2 Output
19	13	D2	Open Drain of Transformer Driver MOSFET
20	14	V <sub>CC</sub>	+5V Positive Supply Voltage

MAX251 LCC PIN#	MAX251 DIP & SO PIN#	SYMBOL	DESCRIPTION
1	-	N.C.	
2	1	AC	Anode of Input Power Supply Diode
3	2	V <sup>+</sup>	Positive Supply Output Terminal
4	3	T1 <sub>DIN</sub>	Transmitter #1 Detector Input
5	4	T2 <sub>DIN</sub>	Transmitter #2 Detector Input
6	-	N.C.	
7	5	R1 <sub>LDR</sub>	Receiver #1 LED Driver
8	6	R2 <sub>LDR</sub>	Receiver #2 LED Driver
9	-	N.C.	
10	7	BYP	Internal V <sub>CC</sub> Bypass Point
11	-	N.C.	
12	8	RTR1	Receiver Output 3-State: When +5V, Receiver Outputs go Hi impedance
13	-	N.C.	
14	9	R2 <sub>IN</sub>	RS-232 Receiver #2 Input
15	10	R1 <sub>IN</sub>	RS-232 Receiver #1 Input
16	-	N.C.	
17	11	T2 <sub>OUT</sub>	RS-232 Transmitter #2 Output
18	12	T1 <sub>OUT</sub>	RS-232 Transmitter #1 Output
19	13	V	Negative Supply Output Voltage
20	14	ISO GND	Isolated Ground

# MAX250/MAX251

## +5V Powered Isolated RS-232 Drivers/Receivers

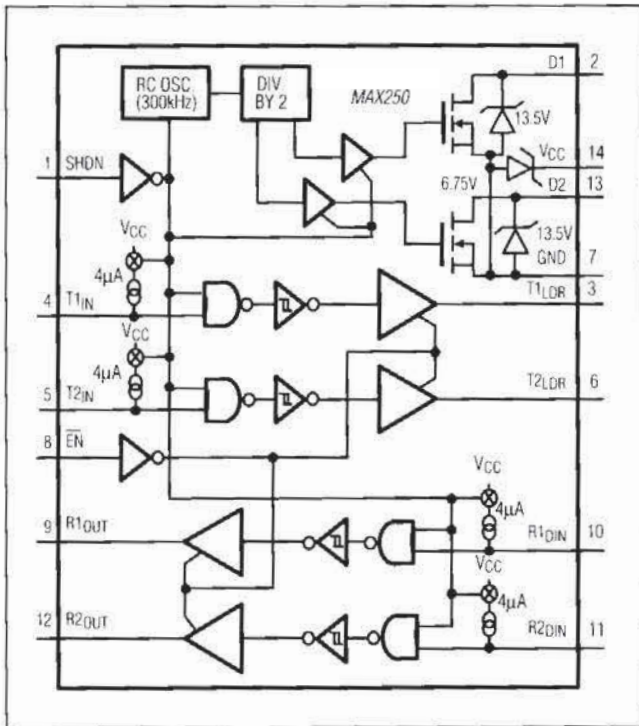


Figure 1. MAX250 Block Diagram

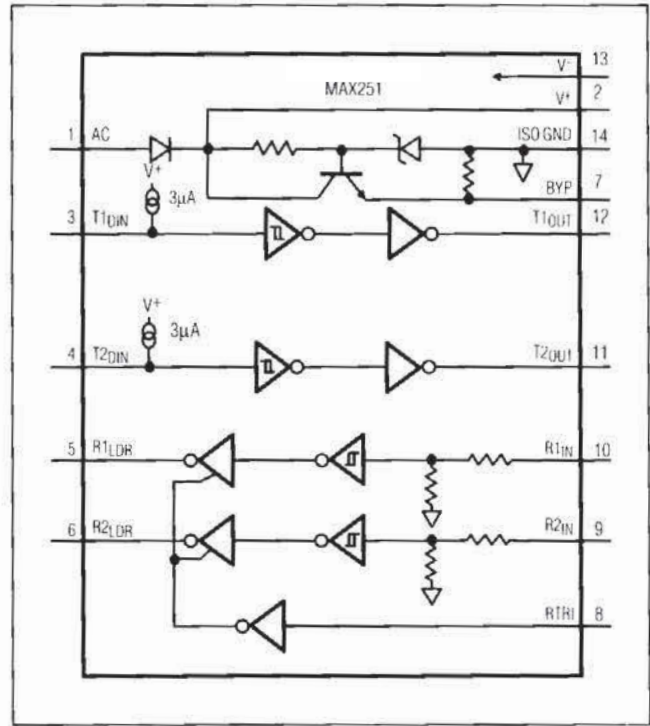


Figure 2. MAX251 Block Diagram

### Typical Applications

Figure 3 shows the typical connection for a complete 19.2k baud isolated RS-232 circuit. Figure 3 also shows how 4N26 optocouplers can be replaced by 6N136 devices to achieve 90k baud rates.

A recommended printed circuit board layout is shown in Figure 4. This may be modified for individual designs but two important factors should be considered. 1.) To maximize isolation, the "isolation line" through the center of Figure 4 should not be breached. Connections and components from one side of the board should not be located near those of the other side. 2.) Since the optocoupler outputs are relatively high impedance nodes, they should be located as close as possible to the MAX250 and MAX251. This minimizes stray capacitance and maximizes data rate.

When the MAX250's shutdown input (SHDN) is taken high, power is removed from the MAX251, and the RS-232 transmitter outputs (T1OUT, T2OUT) go to high impedance states. Timing plots in the Typical Operating Characteristics section show the turn-on and enable delays for various control functions.

The circuit in Figure 4 has been laid out so that it can be used for either a one or two sided PC board. The lines that are thick from one IC pad to the next IC pad are on the bottom side. Lines that are broken by a thin line can

either go on the top side of the board or on the bottom side with jumpers where the thin lines appear. At no time should any lines cross the middle of the board at the isolation barrier.

The MAX250 and MAX251 have a logic inversion in the optocoupler when using the standard configuration. For applications where no inversion is required, or more LED drive current is needed, Figure 5 shows the output structure of the LDR output. The LDR output can typically source 7mA and sink 25mA. Because of the higher sinking capability, a current limiting resistor is required.

### Detailed Description

The MAX250 and MAX251, together with four optocouplers and a transformer, form an isolated dual RS-232 transmitter and receiver (See Figure 3). The MAX250 connects to the non-isolated or "logic" side of the interface, translating logic signals to and from the optocouplers, while the MAX251 resides on the isolated or "cable" side, translating data between the optocouplers and RS-232 line drivers and receivers. In addition to the optocoupler drivers and receivers, the MAX250 also contains isolation transformer drive circuitry which supplies power to the isolated side of the interface, and the MAX251.



# MAX250/MAX251

## +5V Powered Isolated RS-232 Drivers/Receivers

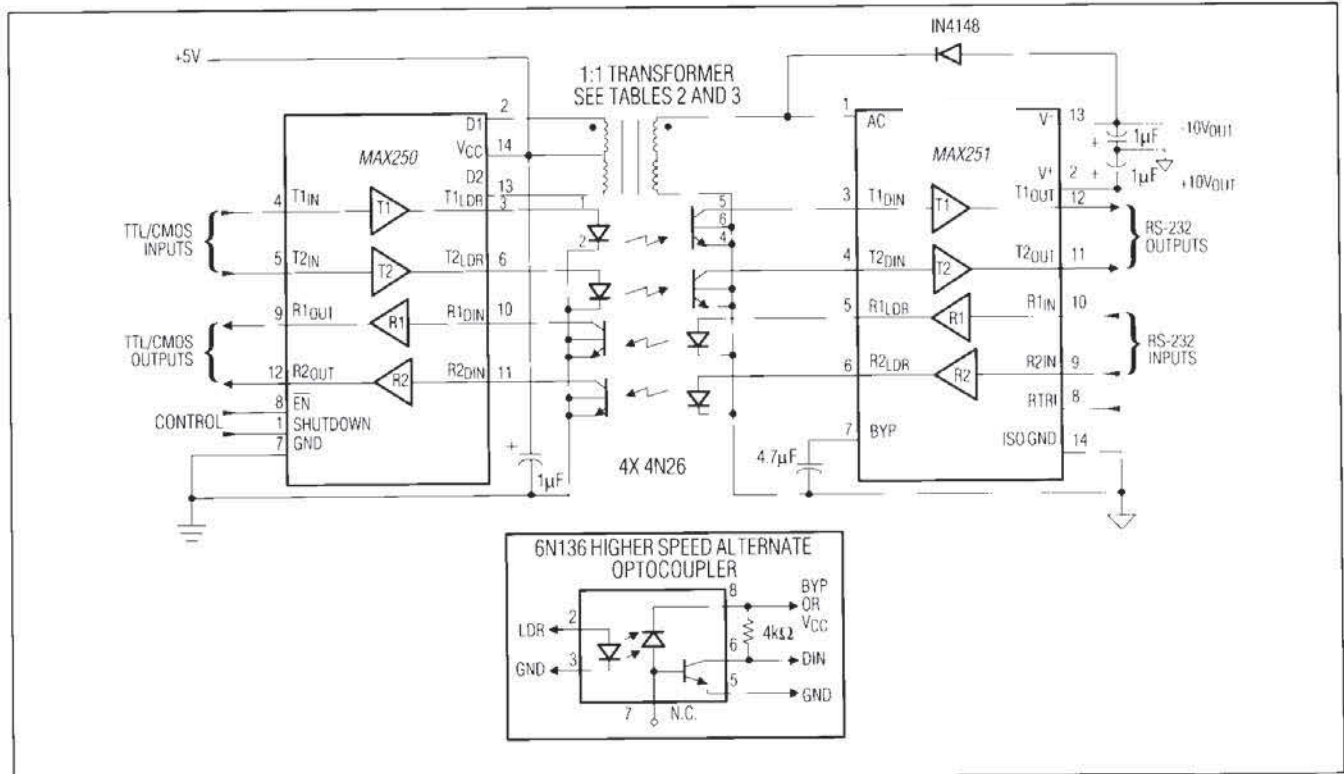


Figure 3. Isolated RS-232 Interface

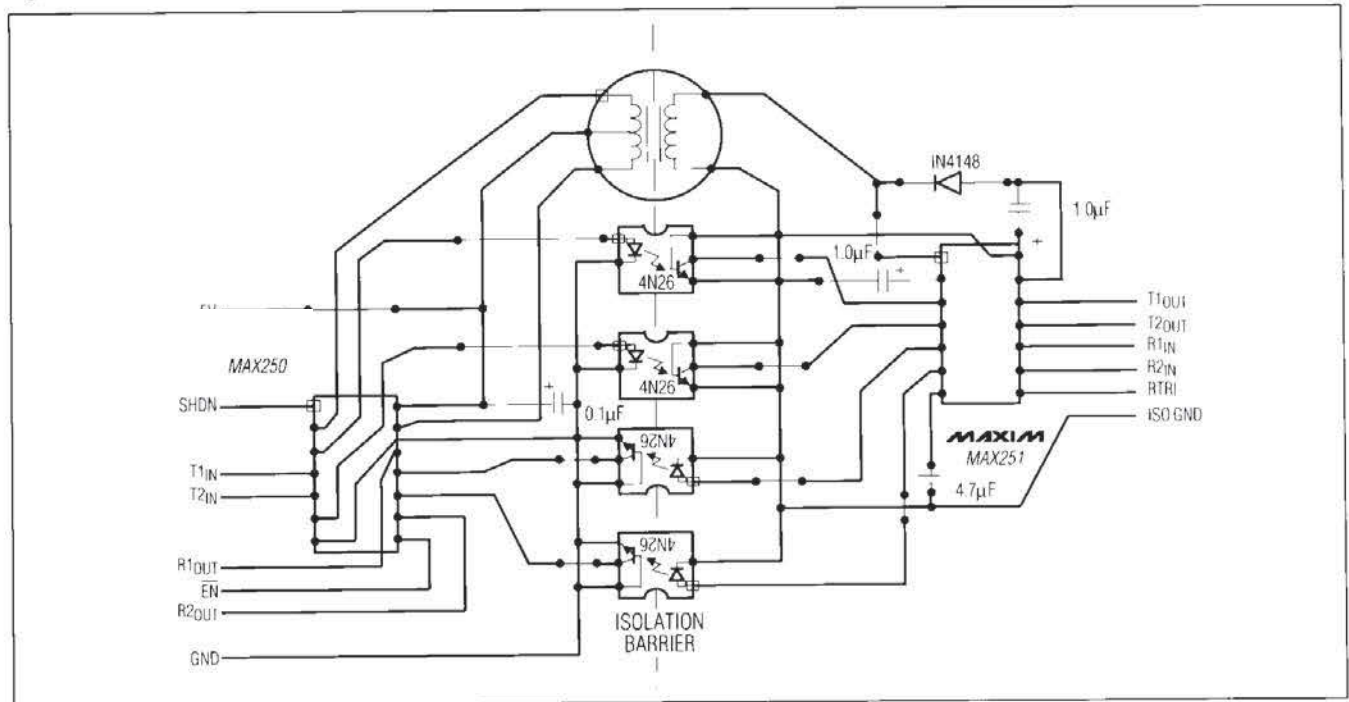


Figure 4. Recommended PC Board Layout for Dual Channel, Optoisolated, Self-Powered RS-232

# MAX250/MAX251

## +5V Powered Isolated RS-232 Drivers/Receivers

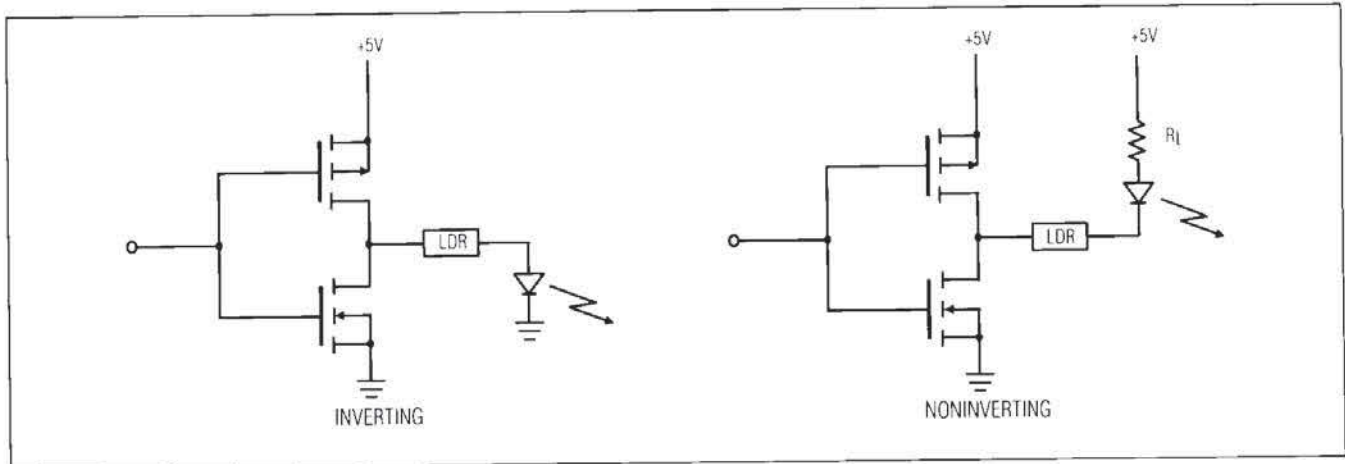


Figure 5. LDR Output Structure

### MAX250

The MAX250 contains four identical noninverting drivers whose outputs may be used either as optocoupler LED drivers or as TTL/CMOS logic outputs. Each driver input ( $T1_{IN}$ ,  $T2_{IN}$ ,  $R1_{DIN}$ ,  $R2_{DIN}$ ) has a "weak"  $4\mu A$  internal pull-up current source, and 0.5V of hysteresis to improve noise rejection. The input logic thresholds conform to standard TTL/CMOS specifications.

In normal operation, the MAX250 driver outputs ( $T1_{LDR}$ ,  $T2_{LDR}$ ,  $R1_{OUT}$ ,  $R2_{OUT}$ ) source 7mA via internal current sources and do not require limiting resistors when driving grounded optocoupler LEDs or CMOS/TTL logic inputs. The outputs can also sink up to 25mA when the current is limited by external resistors.

D1 and D2 are open-drain N-Channel MOSFETs which drive an external isolation transformer in push-pull fashion at 150kHz with a 50% duty cycle. A 1:1 transformer turns ratio provides a 10V peak-to-peak output at the secondary. Specifications and suitable manufacturer's part numbers for this transformer are listed in Tables 2 and 3. No transformer snubbers are required because D1 and D2 are protected against switching transients by internal 13.5V zener clamp diodes as shown in Figure 1.

The MAX250 functions also include an output enable control (EN) and a SHUTDOWN pin (SHDN). EN puts all driver outputs into a high impedance state when driven high. SHDN, when pulled high, disables the following MAX250 functions:

- 1.) Disables D1 and D2;
- 2.) Turns off the oscillator;
- 3.) Shuts off  $4\mu A$  pull-up currents at driver inputs;
- 4.) Resets driver outputs to a low state;
- 5.) Lowers power consumption to  $5\mu W$ .

### MAX251

The MAX251 connects to the "cable" side of the RS-232 interface and includes two line drivers and receivers along with circuitry to translate these levels to optocoupler signals. The RS-232 inputs ( $R1_{IN}$ ,  $R2_{IN}$ ) and outputs ( $T1_{OUT}$ ,  $T2_{OUT}$ ) completely conform to all EIA RS-232C and CCITT V.28 specifications. The receiver outputs ( $R1_{LDR}$ ,  $R2_{LDR}$ ) source 7mA and can drive optocoupler inputs without external current limiting resistors. The MAX251 transmitter inputs ( $T1_{DIN}$ ,  $T2_{DIN}$ ) contain  $4\mu A$  internal pull-ups which allow direct connection to optocoupler output transistors, again without external resistors.

When the MAX251's  $RTRI$  input is pulled high, the receiver outputs ( $R1_{LDR}$ ,  $R2_{LDR}$ ) are disabled and go to a high impedance state. In normal operation, this pin is left open or grounded.

### Optocoupler Limitations

In Figure 3, the 4N26 optocouplers are connected in "diode mode" to optimize cost and data rate. While Current Transfer Ratio (CTR) is generally unspecified for this configuration, optocouplers from several manufacturers have been successfully tested in this circuit. The MAX250/MAX251 require a minimum optocoupler current transfer ratio of 0.12%, but may exhibit data rate limitations from the combined effect of higher MAX250/MAX251 drive and high optocoupler CTR.

The 6N136 optocouplers, shown in the inset in Figure 3 and listed in Table 1, operate in phototransistor mode, with limiting values of CTR specified by the manufacturers.

If further information is required, please contact Maxim Applications.

# MAX250/MAX251

## +5V Powered Isolated RS-232 Drivers/Receivers

### Component Selection

#### Optoisolators

Optoisolator manufacturers are listed in Table 1 for easy selection. The MAX250/251 combination can be used with a 4N26 to obtain a 19.2k baud rate when used in the

diode-to-diode mode (base tied to the emitter). When the MAX250/251 is used with the 6N136, a 90k baud rate can be achieved when a 4k $\Omega$  pull-up resistor to 5V is used on pin 6 of the 6N136.

Table 1. Manufacturers of Optoisolators

PART NO.	MFGS	SUGGESTED R <sub>L</sub>	V <sub>IOS</sub> (V <sub>PK</sub> )	TYP. PROP t <sub>pHL</sub>	t <sub>pLH</sub>
4N25	MOT,PHL,QT,SM,TRW*	NONE <sup>2</sup>	2500V	14 $\mu$ s	6.3 $\mu$ s
4N26	MOT,PHL,QT,SM,TRW	NONE <sup>2</sup>	1500V	14 $\mu$ s	4.3 $\mu$ s
6N136	HP,QT,TRW	4K	2500V	1.8 $\mu$ s	1.5 $\mu$ s

\* MOT= Motorola Inc. (303) 337-3434  
PHL= Phillips (401) 232-0500  
QT = Quality Technologies (General Instrument) (415) 493-0400  
SM = Siemens Components (408) 257-7910  
TRW= TRW Electronic Components Group (214) 323-2200

**Note 1:** This list does not constitute an endorsement by Maxim Integrated Products and is not intended to be a comprehensive list of all manufacturers of these components.

**Note 2:** When used with a MAX250/251.

#### Transformers

Table 2 is a list of transformer characteristics that should be used to customize your own transformer. Table 3 is a list of transformers that are compatible with the

MAX250/251 chip set. The list includes both transformers that are small and more expensive and transformers that are larger and less expensive.

Table 2. Transformer Characteristics

Pri. Inductance	1mH to 2.5mH
Pri. Leakage Inductance	30 $\mu$ H
Turns Ratio	1:1 Pri. center tapped
ET	50V- $\mu$ s
Switching Frequency	150kHz
Interwinding Capacitance	< 100pF
DC Resistance	< 2 $\Omega$
I <sub>pk</sub>	300mA
Dielectric Strength	> 1500 VAC/1sec.



# MAX250/MAX251

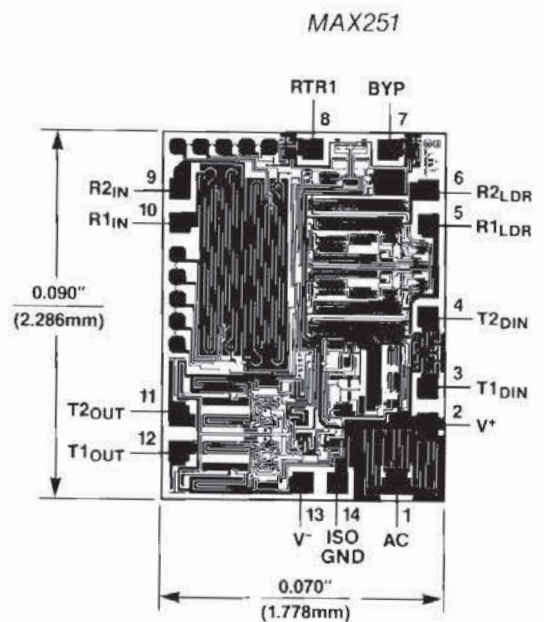
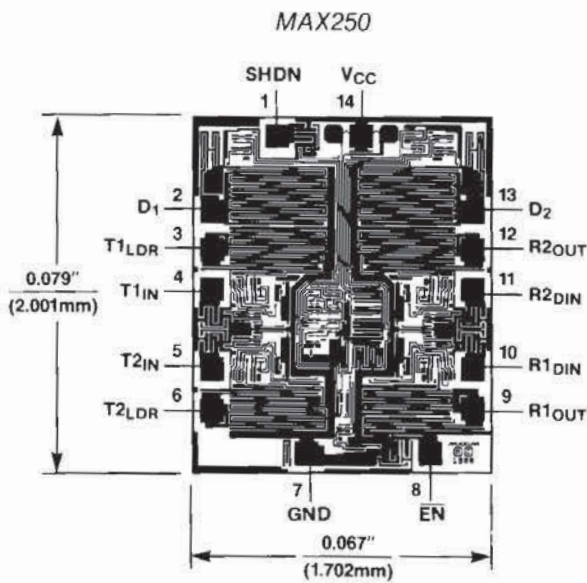
## +5V Powered Isolated RS-232 Drivers/Receivers

**Table 3. Transformers Selection for Common Designs**

MANUFACTURERS	LESS EXPENSIVE	SMALL
BH ELECTRONICS 604 Michigan Rd. Marshall, MN 56258 (507) 532-3211	Q6471-1	Q6471-2
MINI-MAGNETICS 1100 Fulton Place Fremont, CA 94539-7077 (415) 490-7500	MM2757	MM2758
SCHOTT Corporation 1000 Parkers Lake Rd. Minneapolis, MN 55391 (612) 475-1173	67114760	67117970

**Note 1:** This list does not constitute an endorsement by Maxim Integrated Products and is not intended to be a comprehensive list of all manufacturers of these components.

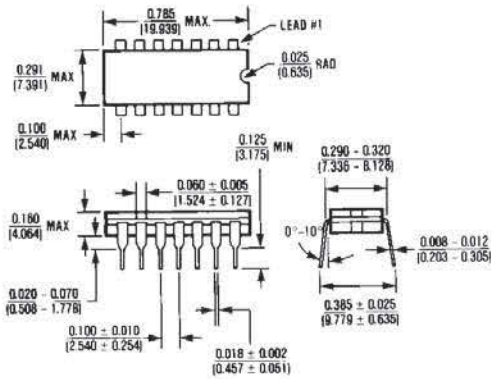
### Chip Topographies



# MAX250/MAX251

## +5V Powered Isolated RS-232 Drivers/Receivers

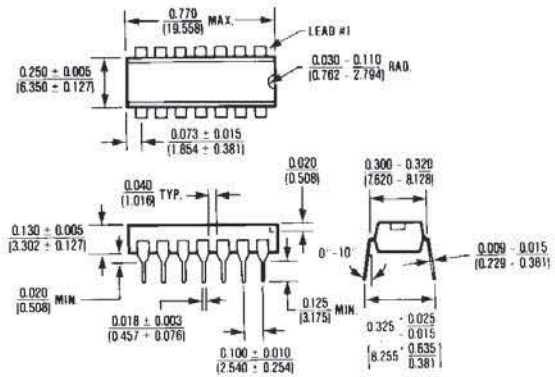
### Package Information



**14 Lead CERDIP (JD)**

$$\theta_{JA} = 105^{\circ}\text{C/W}$$

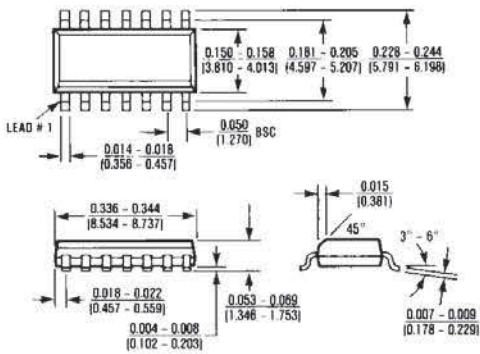
$$\theta_{JC} = 50^{\circ}\text{C/W}$$



**14 Lead Plastic DIP (PD)**

$$\theta_{JA} = 140^{\circ}\text{C/W}$$

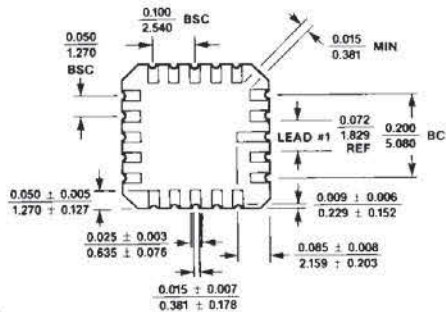
$$\theta_{JC} = 70^{\circ}\text{C/W}$$



**14 Lead Small Outline (SD)**

$$\theta_{JA} = 115^{\circ}\text{C/W}$$

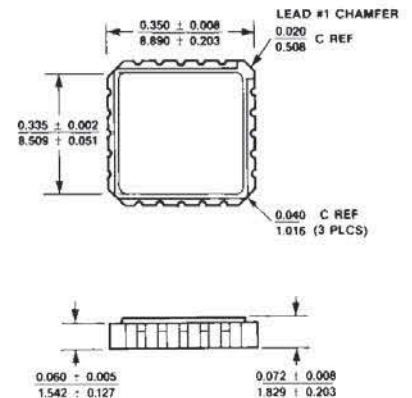
$$\theta_{JC} = 60^{\circ}\text{C/W}$$



**20 Leadless Chip Carrier (LP)**

$$\theta_{JA} = 140^{\circ}\text{C/W}$$

$$\theta_{JC} = 45^{\circ}\text{C/W}$$



# **MAX250/MAX251**

## **+5V Powered Isolated RS-232 Drivers/Receivers**



*Maxim cannot assume responsibility for use of any circuitry other than circuitry entirely embodied in a Maxim product. No circuit patent licenses are implied. Maxim reserves the right to change the circuitry and specifications without notice at any time. The parametric values (min and max limits) shown in the Electrical Characteristics table are guaranteed. Other parametric values quoted in this data sheet are provided for guidance.*

**Maxim Integrated 160 Rio Robles, San Jose, CA 95134 USA 1-408-601-1000**

**13**



Компания «Life Electronics» занимается поставками электронных компонентов импортного и отечественного производства от производителей и со складов крупных дистрибьюторов Европы, Америки и Азии.

С конца 2013 года компания активно расширяет линейку поставок компонентов по направлению коаксиальный кабель, кварцевые генераторы и конденсаторы (керамические, пленочные, электролитические), за счёт заключения дистрибьюторских договоров

Мы предлагаем:

- Конкуренспособные цены и скидки постоянным клиентам.
- Специальные условия для постоянных клиентов.
- Подбор аналогов.
- Поставку компонентов в любых объемах, удовлетворяющих вашим потребностям.
- Приемлемые сроки поставки, возможна ускоренная поставка.
- Доставку товара в любую точку России и стран СНГ.
- Комплексную поставку.
- Работу по проектам и поставку образцов.
- Формирование склада под заказчика.
- Сертификаты соответствия на поставляемую продукцию (по желанию клиента).
- Тестирование поставляемой продукции.
- Поставку компонентов, требующих военную и космическую приемку.
- Входной контроль качества.
- Наличие сертификата ISO.

В составе нашей компании организован Конструкторский отдел, призванный помогать разработчикам, и инженерам.

Конструкторский отдел помогает осуществить:

- Регистрацию проекта у производителя компонентов.
- Техническую поддержку проекта.
- Защиту от снятия компонента с производства.
- Оценку стоимости проекта по компонентам.
- Изготовление тестовой платы монтаж и пусконаладочные работы.



Тел: +7 (812) 336 43 04 (многоканальный)

Email: [org@lifeelectronics.ru](mailto:org@lifeelectronics.ru)