



Microtips Technology Inc.

台北縣汐止鎮康寧街169巷31號12樓
12F, No 31, Lane 169, Kang Ning St.
Hsi-Chih, Taipei Hsien, Taiwan, R.O.C.

WEB : <http://www.microtips.com.tw>
E-mail : Macros@microtips.com.tw
TEL: 886-2-2695-3133 FAX :886-2-2695-8625

LCD MODULE SPECIFICATION FOR CUSTOMER'S APPROVAL

CUSTOMER : _____

MODULE TYPE : NMTG-S12232BFYHSAY

APPROVED BY: (FOR CUSTOMER USE ONLY)

| Approved by | Checked by | | Made by |
|-------------|------------|--|---------|
| | | | |

CONTENTS

| ITEM | PAGE |
|------------------------------|-------------|
| FEATURES | 3 |
| LCD MODULE DRAWING | 4 |
| GENERAL SPECIFICATION | 5 |
| ABSOLUTE MAXIMUM RATING | 5 |
| ELECTRICAL CHARACTERISTICS | 6 |
| OPTICAL CHARACTERISTICS | 6 |
| MECHANICAL SPECIFICATION | 7 |
| INTERFACE PIN ASSIGNMENT | 8 |
| BLOCK DIAGRAM | 11 |
| TIMING CHARACTERISTICS | 12 |
| DISPLAY DATA RAM ADDRESSING | 14 |
| DISPLAY COMMANDS | 15 |
| COMMAND DESCRIPTION | 16 |
| INITIALIZATION PROCEDURE | 20 |
| RELIABILITY TEST | 21 |
| APPEARANCE CHECK | 21 |
| HANDLING PRECAUTIONS | 22 |
| LCD PRODUCT QUALITY STANDARD | 23 |
| REVISION HISTORY | 24 |

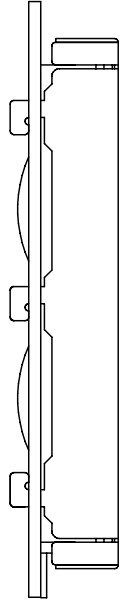
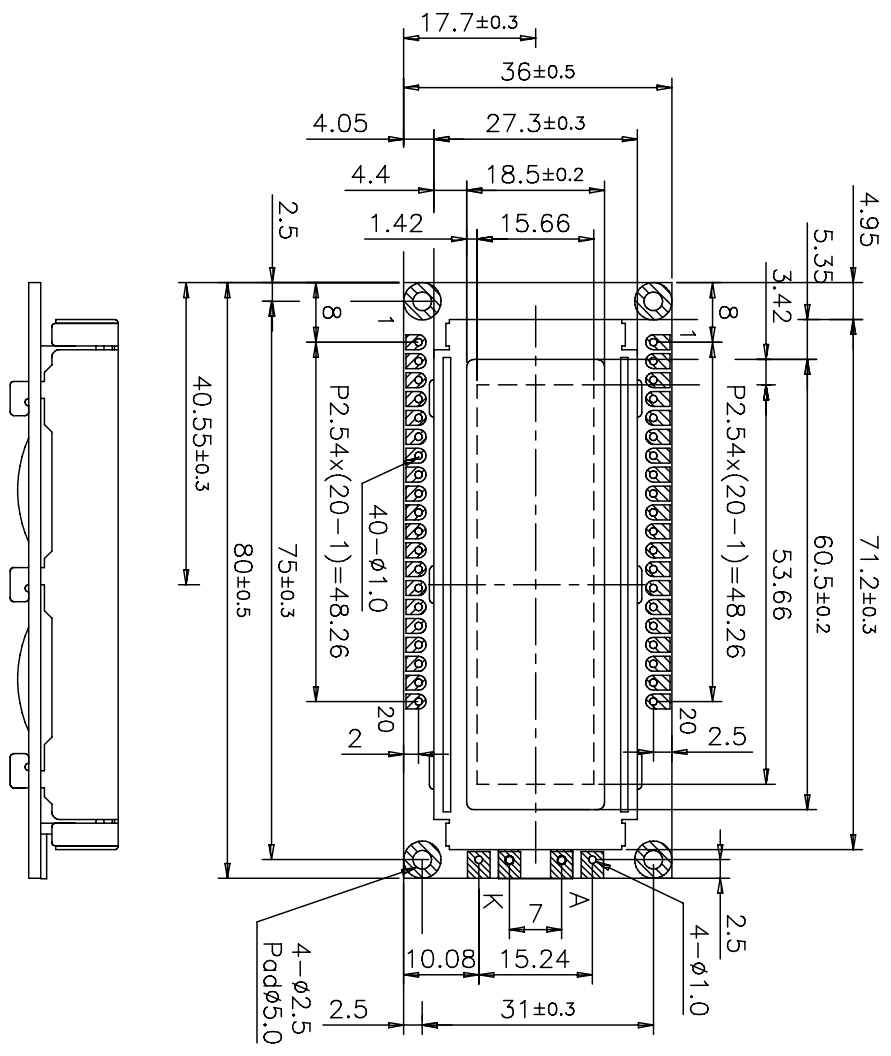
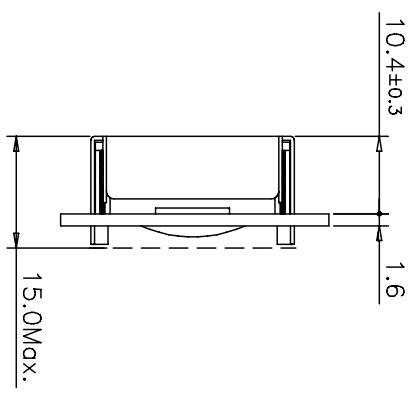
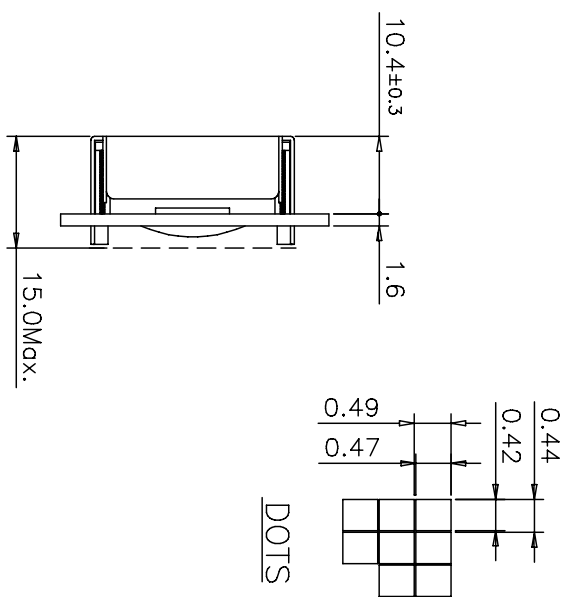
SPECIFICATION FOR
LIQUID CRYSTAL DISPLAY MODULE
MODEL NO. : NMTG-S12232BFYHSAY

| | | | | |
|-------------------|---|--|--|--|
| View Direction | <input checked="" type="checkbox"/> 6 O'clock | | <input type="checkbox"/> 12 O'clock | |
| LCD Type | <input type="checkbox"/> FSTN Positive | | <input type="checkbox"/> FSTN Negative | |
| | <input type="checkbox"/> STN Gray | <input checked="" type="checkbox"/> STN Yellow Green | <input type="checkbox"/> STN Blue | |
| Rear Polarizer | <input type="checkbox"/> Reflective | <input checked="" type="checkbox"/> Transflective | <input type="checkbox"/> Transmissive | |
| Backlight Type | <input checked="" type="checkbox"/> LED | <input checked="" type="checkbox"/> Internal Power | <input type="checkbox"/> EL | |
| | | <input type="checkbox"/> External Power | <input type="checkbox"/> CCFL | <input checked="" type="checkbox"/> 5V input |
| Backlight Color | <input type="checkbox"/> White | <input type="checkbox"/> Amber | <input type="checkbox"/> Blue Green | <input checked="" type="checkbox"/> Yellow Green |
| | <input type="checkbox"/> Other | | | |
| Temperature Range | <input type="checkbox"/> Normal | | <input checked="" type="checkbox"/> Wide | <input type="checkbox"/> Super Wide |
| EL Driver IC | <input type="checkbox"/> Build-in | | <input checked="" type="checkbox"/> Not Build-in | |
| DC-to-DC | <input type="checkbox"/> With | | <input checked="" type="checkbox"/> Without | |

TO BE VERY CAREFUL !

The LCD driver ICs are made by CMOS process, which are very easy to be damaged by static charge, make sure the user is grounded when handling the LCM.

| REV. | DESCRIPTION | DRAWN | CHECK | APP'D | DATE |
|------|-------------|-------|-------|-------|------|
| | | | | | |



| PIN ASSIGNMENT | |
|----------------|-----------|
| 1. VSS | 5. CS1 |
| 2. VDD | 6. CS2 |
| 3. VEE | 7. CL |
| 4. AO | 8. /RD(E) |
| 9. /MR(R/W) | 10. DBO |
| 11. DB1 | 12. DB2 |
| 13. DB3 | 14. DB4 |
| 15. DB5 | 16. DB6 |
| 17. DB7 | 18. RES |
| 19. BK1 | 20. BK12 |

| | | | | | | | | | |
|-----------|-----------|-------|---|----------|----------|---|--------------------------|--------|------|
| NO. | M-12232BH | Q'TY | 1 | DATE: | 4-23-99' | MATERIAL | ---- | FINISH | ---- |
| PART NAME | | APP'D | | UNIT: MM | | SCALE: 1/1 | PRODUCT: MTG-12232B(H) | | |
| DRAWN | | CHECK | | | | JMES OTHERWISE SPECIFIED TOLERANCE ON FRACTIONS DECIMALS ANGLES 0.10 0.5° | DWG NO.: G12232B0 | | |
| | | | | | | | FILE: DWG\MTG122\G12232B | | |
| | | | | | | | SHEET 1 / 1 | Rev: A | |



GENERAL SPECIFICATION

| Item | Content |
|-------------------------|--|
| Display Resolution | 122(W)×32(H) |
| Dimensional Outline(mm) | 80.0(W)×36.0(H)×15.0 max(D) |
| Display mode | Transflective/ Positive Type |
| Circuit | Common-Driver IC, Segment-driver IC with build-in SRAM |
| Interface | Data (D0~D7), Ao, RD, WR, RES, CS1, CS2, V _{EE} |

ABSOLUTE MAXIMUM RATING

(1) Electrical Absolute Ratings

| Item | Symbol | Min. | Max. | Unit | Note |
|----------------------------------|----------------------------------|------|-----------------|------|------|
| Power Supply for Logic | V _{DD} -V _{SS} | -0.3 | 8.0 | Volt | |
| Power Supply for LCD | V _{DD} -V _{EE} | -0.3 | -16.5 | Volt | |
| Input Voltage | V _I | -0.3 | V _{DD} | Volt | |
| Supply Current for LED backlight | I _{LED} | - | 240 | mA | |

(2) Environmental Absolute Maximum Ratings

| Item | Normal Temperature | | | | Wide Temperature | | | |
|--------------------------------|--------------------|-------|----------|-------|------------------|-------|----------|-------|
| | Operating | | Storage | | Operating | | Storage | |
| | Max, | Min. | Max, | Min. | Max, | Min. | Max, | Min. |
| Ambient Temperature | 0°C | +50°C | -20°C | +70°C | -20°C | +70°C | -30°C | +80°C |
| Humidity(without condensation) | Note 2,4 | | Note 3,5 | | Note 4,5 | | Note 4,6 | |

Note 2 Ta ≤ 50°C : 80% RH max

Ta > 50°C : Absolute humidity must be lower than the humidity of 85%RH at 50°C

Note 3 Ta at -20°C will be <48hrs at 70°C will be <120hrs when humidity is higher than 70%.

Note 4 Background color changes slightly depending on ambient temperature. This phenomenon is reversible.

Note 5 Ta ≤ 70°C : 75RH max

Ta > 70°C : absolute humidity must be lower than the humidity of 75%RH at 70°C

Note 6 Ta at -30°C will be <48hrs, at 80 °C will be <120hrs when humidity is higher than 70%.

ELECTRICAL CHARACTERISTICS

| Item | Symbol | Condition | Min. | Typ | Max. | Unit | note |
|--|------------------------|--|--------------|----------------|------|------|------|
| Power Supply for Logic | $V_{DD}-V_{SS}$ | - | 2.4 | 5.0 | 7.0 | Volt | |
| Input Voltage | V_{IL} | L level | V_{SS} | $0.2 V_{DD}$ | - | Volt | |
| | V_{IH} | H level | $0.8 V_{DD}$ | V_{DD} | - | Volt | |
| LCM Recommend LCD Module Driving Voltage | $V_{DD}-V_{EE}$ | $T_a=0^{\circ}C$ | 5.5 | 5.68 | 5.9 | Volt | |
| | | $T_a=25^{\circ}C$ | 5.35 | 5.54 | 5.75 | | |
| | | $T_a=50^{\circ}C$ | 4.8 | 5.0 | 5.2 | | |
| Power Supply Current for LCM | I_{DD} (LED B/L OFF) | $V_{DD}=5.0V$ $V_{DD}-V_{EE}=5.54V$ FLM=64Hz $V_{LED}=4.2V$ | - | 0.6 | 1.1 | mA | |
| | I_{LED} (LED B/L ON) | | - | 120 | 180 | | |
| Power supply for EL backlight | V_{EL} | | | 100V/ 400Hz | | - | - |

OPTICAL CHARACTERISTICS

| Item | Symbol | Condition | Min. | Typ | Max. | Unit | note | |
|---------------------|-----------------------|--|------|------|------|--------|------|------|
| Viewing angle range | Φf (12 o'clock) | When $Cr \geq 2$ | 20 | 30 | - | Degree | 9,10 | |
| | Φb (6 o'clock) | | 40 | 45 | - | | | |
| | Φl (9 o'clock) | | 30 | 35 | - | | | |
| | Φr (3 o'clock) | | 30 | 35 | - | | | |
| Rise Time | T_r | $V_{DD}-V_{EE}=5.54V$ $T_a=25^{\circ}C$ | | 86 | | mS | | |
| Fall Time | T_f | | | 208 | | | | |
| Frame frequency | Frm | | - | 64 | - | Hz | | 8,10 |
| Contrast | Cr | | - | 6.53 | - | | | 7 |

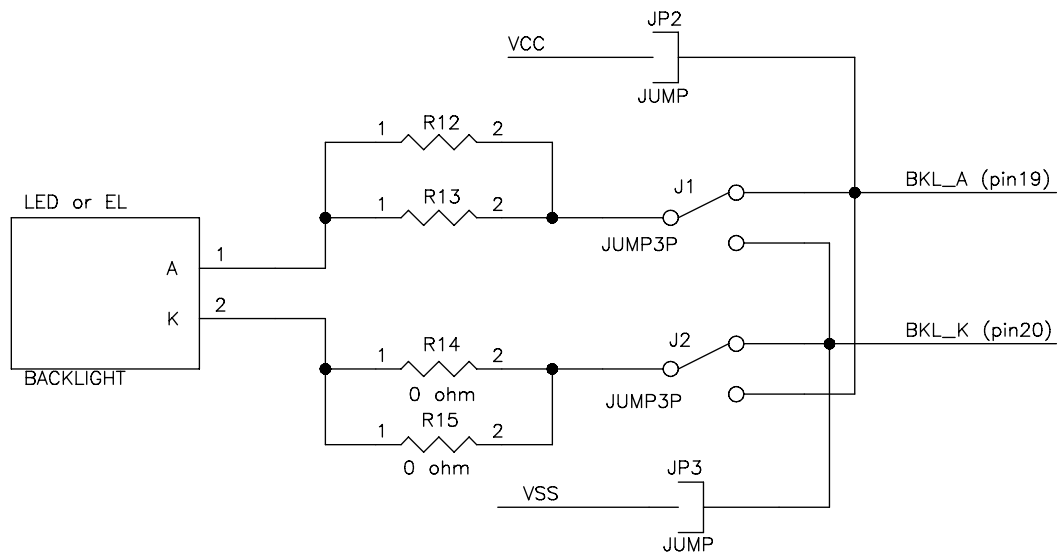
MECHANICAL SPECIFICATION

| | | |
|-------------------|-----------------|--|
| Product No. | | NMTG-S12232BFYHSAY |
| Module Size | | 80.0(W)×36.0(H)×15.0 max(D) |
| Dot Size | | 0.42(W)mm×0.47(H)mm |
| Dot Pitch | | 0.44(W)mm×0.49(H)mm |
| Resolution | | 122(W)×32(H) Dots Matrix |
| Duty Ratio | | 1/32 Duty |
| LCD Display Mode | STN | <input type="checkbox"/> Gray Mode <input checked="" type="checkbox"/> Yellow Mode <input type="checkbox"/> Blue Mode |
| | FSTN | <input type="checkbox"/> Black & White(Normally White/Positive Image) <input type="checkbox"/> Black & White(Normally White/Negative Image) |
| | Rear Polarizer: | <input type="checkbox"/> Reflective <input checked="" type="checkbox"/> Transflective <input type="checkbox"/> Transmissive <input type="checkbox"/> Transflective(High Transmissive) |
| Viewing Direction | | <input checked="" type="checkbox"/> 6 O'clock <input type="checkbox"/> 12 O'clock <input type="checkbox"/> 3 O'clock <input type="checkbox"/> 9 O'clock |
| Backlight | | <input type="checkbox"/> W/O <input type="checkbox"/> CCFL <input type="checkbox"/> EL <input checked="" type="checkbox"/> LED |
| Controller | | Epson SED1520 or compatible |
| DC/DC Converter | | Without |
| EL Driver | | Without |

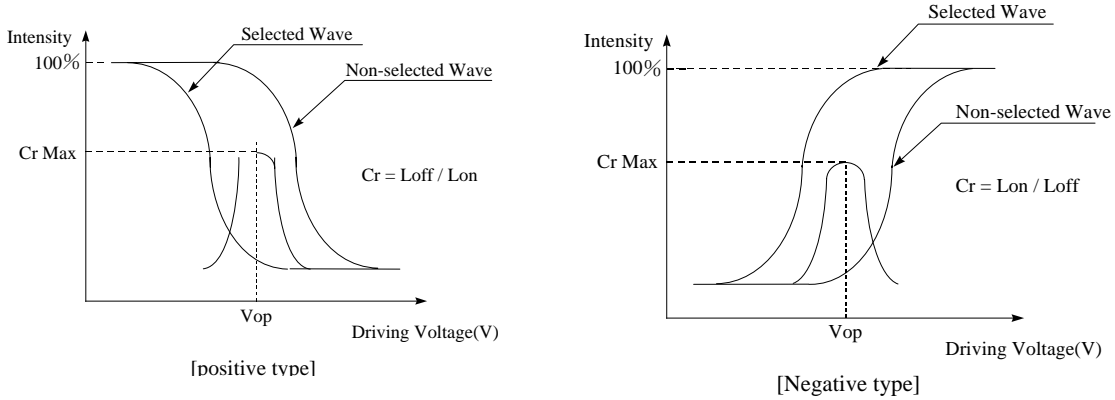
INTERFACE PIN ASSIGNMENT

| Pin No. | Pin Out | Description |
|---------|-----------------|--|
| 1 | V _{SS} | GND |
| 2 | V _{DD} | Logic supply voltage |
| 3 | V _{EE} | LCD driver supply voltage |
| 4 | Ao | Display Data/Display commands switching input. Ao=0: DB0~DB7 are command input and status output. Ao=1: DB0~DB7 are Display Data input/output. |
| 5 | CS1 | Chip-select for the left half of the screen. Active LOW |
| 6 | CS2 | Chip-select for the right half of the screen. Active LOW |
| 7 | CL | External Clock Input (typ. 2KHz) |
| 8 | /RD(E) | /RD for 80 series, E for 68 series. |
| 9 | /WR(R/W) | /WR for 80 series, R/W for 68 series. |
| 10 | DB0 | 3-state I/O Data Bus. |
| 11 | DB1 | |
| 12 | DB2 | |
| 13 | DB3 | |
| 14 | DB4 | |
| 15 | DB5 | |
| 16 | DB6 | |
| 17 | DB7 | |
| 18 | RES | Reset, H for 80 series, L for 68 series. |
| 19 | BKL_A | Power Supply for Backlight. 100V/400Hz AC for EL, 5.0V or 120~180mA DC for LED backlight |
| 20 | BKL_K | Don't care if no backlight |

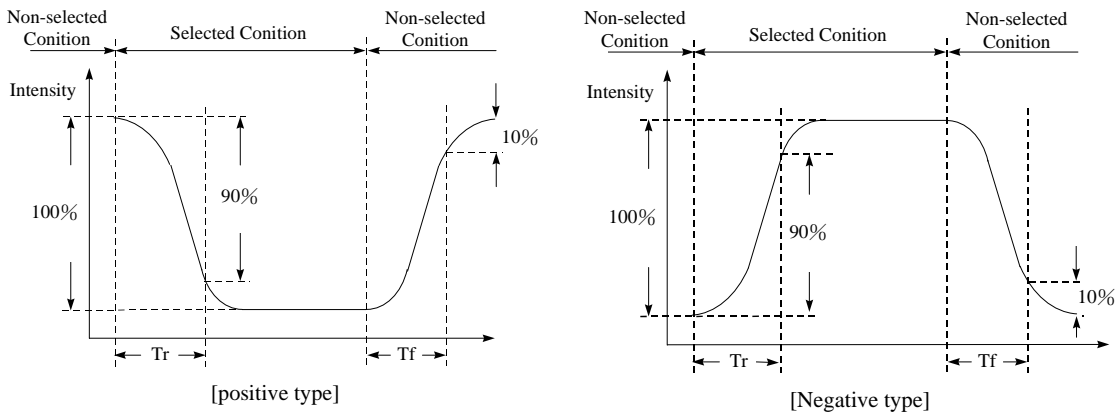
Jumper Explanation for backlight:



[Note 7] Definition of Operation Voltage (Vop)



[Note 8] Definition of Response Time (Tr, Tf)



Conditions:

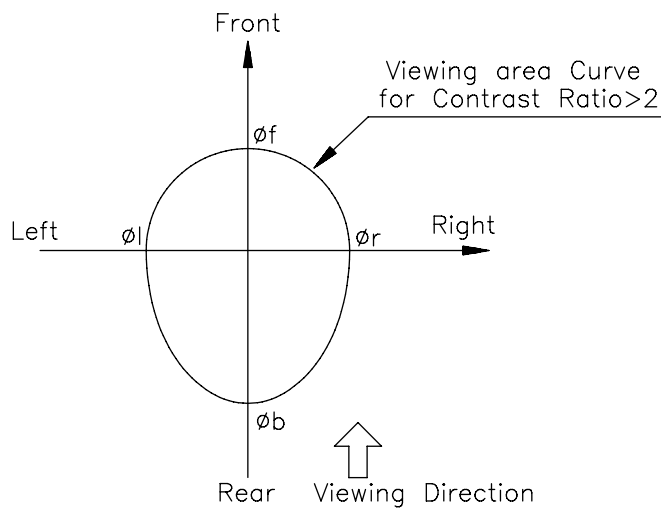
Operating Voltage : Vop

Frame Frequency : 64 Hz

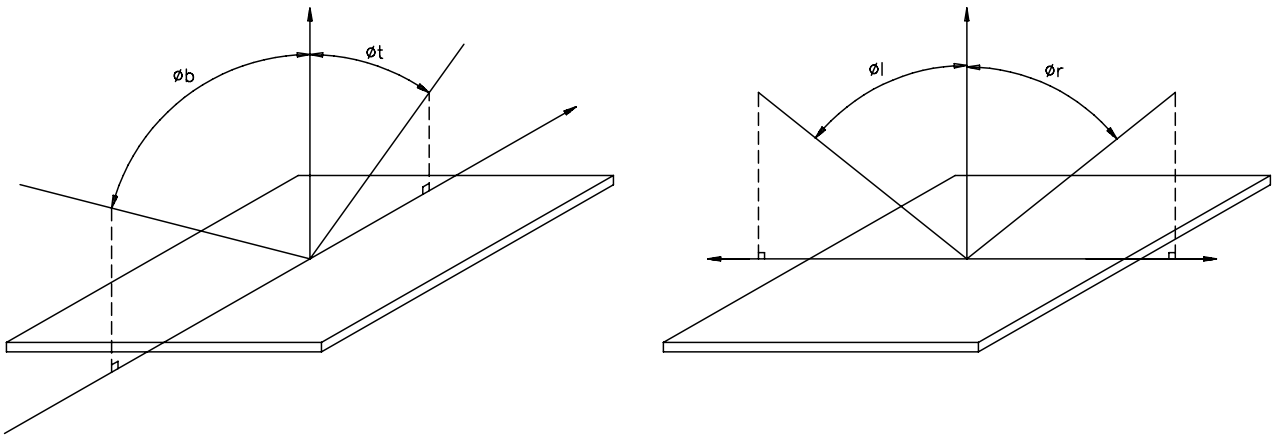
Viewing Angle (θ, φ): $0^\circ, 0^\circ$

Driving Wave form : 1/N duty, 1/a bias

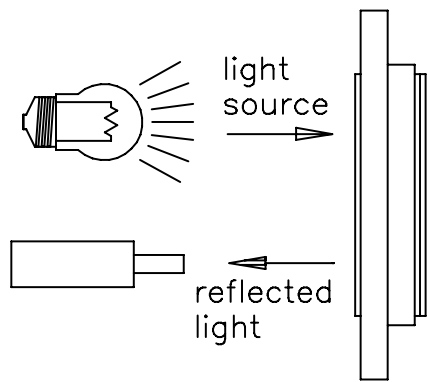
[Note 9] Definition of Viewing Direction



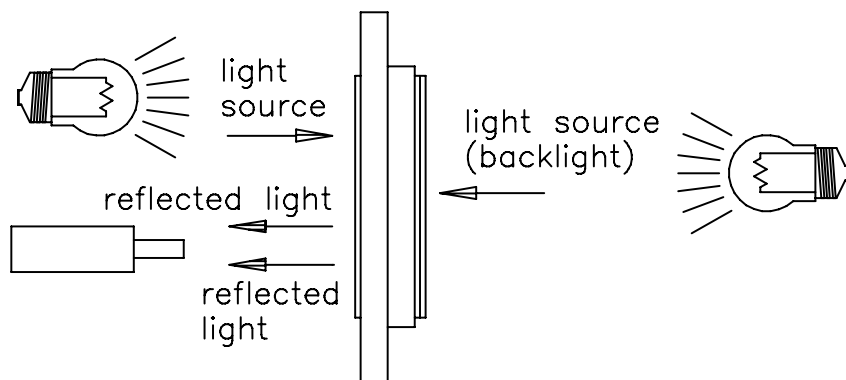
[Note 10] Definition of viewing angle



[Note 11] Description of Measuring Equipment

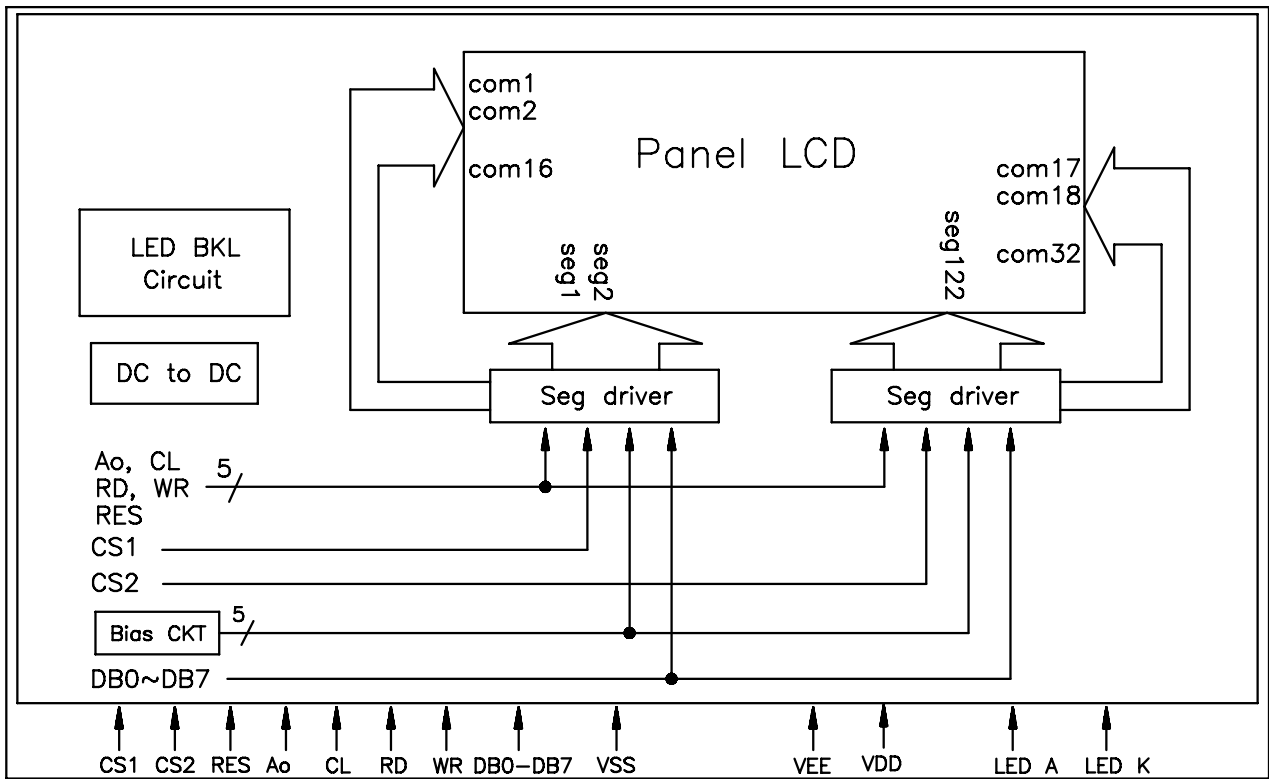


Reflective type

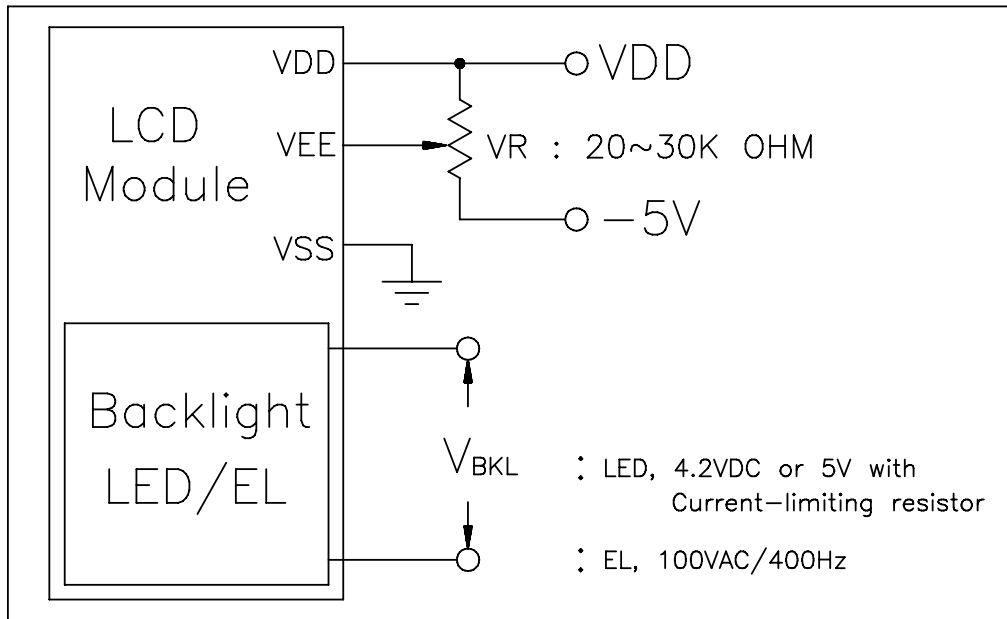


Transflective type

BLOCK DIAGRAM

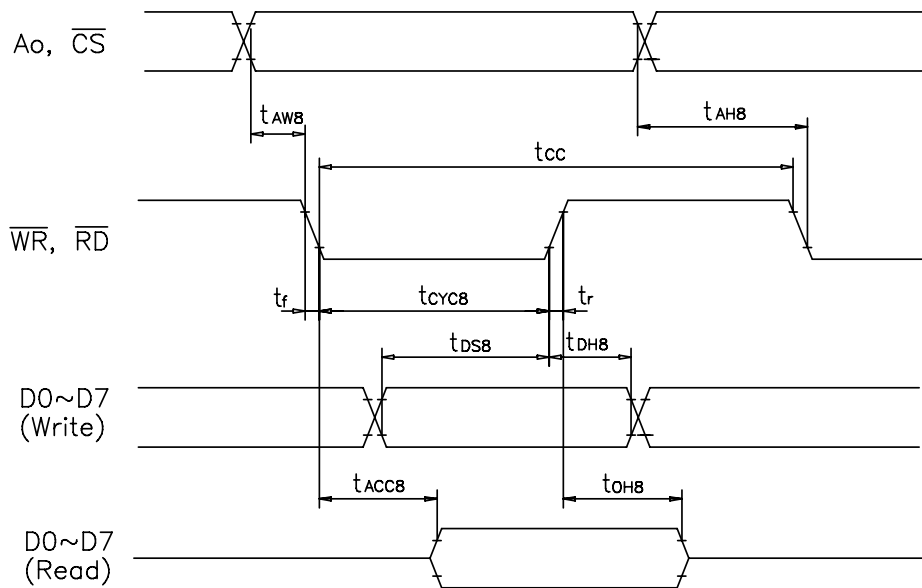


POWER SUPPLY



TIMING CHARACTERISTICS

AC Characteristic—MPU Bus Read/Write I (80-Family MPU)



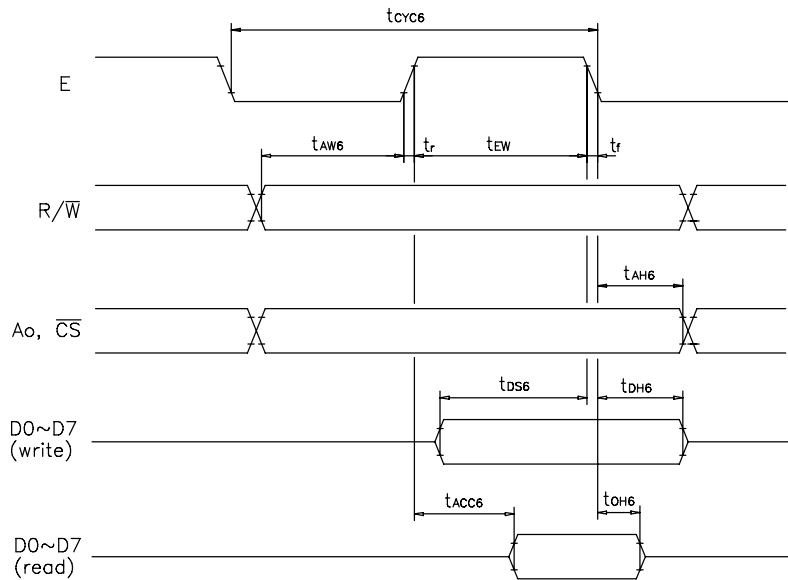
$T_a=0\sim 50^{\circ}\text{C}$, $V_{DD}=5.0\text{V}\pm 10\%$, unless state otherwise

| Parameter | Symbol | Condition | Rating | | Unit | Signal |
|---------------------|------------|--------------------|--------|------|------|----------|
| | | | Min. | Max. | | |
| Address hold time | t_{AH8} | - | 10 | - | ns | Ao, CS |
| Address setup time | t_{AW8} | - | 20 | - | ns | |
| System cycle time | t_{CYC8} | - | 1000 | - | ns | WR, RD |
| Control pulse-width | t_{CC} | - | 200 | - | ns | |
| Data setup time | t_{DS8} | - | 80 | - | ns | D0 to D7 |
| Data hold time | t_{DH8} | - | 10 | - | ns | |
| RD access time | t_{ACC8} | $C_L=100\text{pF}$ | - | 90 | ns | |
| Output disable time | t_{CH8} | | 10 | 60 | ns | |
| Rise and fall time | t_r, t_f | - | - | 15 | ns | - |

$T_a=0\sim 50^{\circ}\text{C}$, $V_{DD}=2.7$ to 4.5V ,

| Parameter | Symbol | Condition | Rating | | Unit | Signal |
|---------------------|------------|--------------------|--------|------|------|----------|
| | | | Min. | Max. | | |
| Address hold time | t_{AH8} | - | 20 | - | ns | Ao, CS |
| Address setup time | t_{AW8} | - | 40 | - | ns | |
| System cycle time | t_{CYC8} | - | 2000 | - | ns | WR, RD |
| Control pulse-width | t_{CC} | - | 400 | - | ns | |
| Data setup time | t_{DS8} | - | 160 | - | ns | D0 to D7 |
| Data hold time | t_{DH8} | - | 20 | - | ns | |
| RD access time | t_{ACC8} | $C_L=100\text{pF}$ | - | 180 | ns | |
| Output disable time | t_{CH8} | | 20 | 120 | ns | |
| Rise and fall time | t_r, t_f | - | - | 15 | ns | - |

AC Characteristic—MPU Bus Read/Write II (68-Family MPU)



Ta=0~50°C, V_{DD}=5.0V±10%, unless state otherwise

| Parameter | Symbol | Condition | Rating | | Unit | Signal |
|---------------------|---------------------------------|-----------------------|--------|------|------|-------------|
| | | | Min. | Max. | | |
| System cycle time | t _{CYC6} | | 1000 | - | ns | Ao, CS, R/W |
| Address setup time | t _{AW6} | | 20 | - | ns | |
| Address hold time | t _{AH6} | | 10 | - | ns | |
| Data setup time | t _{DS6} | C _L =100pF | 80 | - | ns | D0 to D7 |
| Data hold time | t _{DH6} | | 10 | - | ns | |
| Output disable time | t _{OH6} | | 10 | 60 | ns | |
| Access time | t _{ACC6} | | - | 90 | ns | |
| Enable pulse-width | Read | t _{EW} | 100 | - | ns | E |
| | Write | | 80 | - | ns | |
| Rise and fall time | t _r , t _f | - | - | 15 | Ns | - |

Ta=0~50°C, V_{DD}=2.7 to 4.5V,

| Parameter | Symbol | Condition | Rating | | Unit | Signal |
|---------------------|---------------------------------|-----------------------|--------|------|------|-------------|
| | | | Min. | Max. | | |
| System cycle time | t _{CYC6} | | 2000 | - | ns | Ao, CS, R/W |
| Address setup time | t _{AW6} | | 40 | - | ns | |
| Address hold time | t _{AH6} | | 20 | - | ns | |
| Data setup time | t _{DS6} | C _L =100pF | 160 | - | ns | D0 to D7 |
| Data hold time | t _{DH6} | | 20 | - | ns | |
| Output disable time | t _{OH6} | | 20 | 120 | ns | |
| Access time | t _{ACC6} | | - | 180 | ns | |
| Enable pulse-width | Read | t _{EW} | 200 | - | ns | E |
| | Write | | 160 | - | ns | |
| Rise and fall time | t _r , t _f | - | - | 15 | Ns | - |

DISPLAY COMMANDS

| Instruction | A0 | RD | WR | D7 | D6 | D5 | D4 | D3 | D2 | D1 | D0 | Function |
|------------------------------|----|----|----|------------|--------------------------|--------|------------------------------|----|----|---------------|---|--|
| Display ON/OFF | 0 | 1 | 0 | 1 | 0 | 1 | 0 | 1 | 1 | 1 | 1/0 | To control the display ON or OFF. The internal status and display RAM data are not affected. 0:OFF, 1:ON |
| Display start line | 0 | 1 | 0 | 1 | 1 | 0 | Display start address (0~31) | | | | | Specifies RAM line corresponding to top line of display. |
| Set page address | 0 | 1 | 0 | 1 | 0 | 1 | 1 | 1 | 0 | Page (0 to 3) | | To set the display RAM page in page address register. |
| Set column (segment) address | 0 | 1 | 0 | 0 | Column address (0 to 79) | | | | | | | To set display RAM column address in column address register. |
| Status Read | 0 | 0 | 1 | Busy | ADC | ON/OFF | Reset | 0 | 0 | 0 | 0 | Read the following status: Busy 1: Busy 0: Ready ADC 1: CW output 0: CCW output ON/OFF 1: Display OFF 0: Display ON Reset 1: Being reset 0: Normal |
| Write display data | 1 | 1 | 0 | Write Data | | | | | | | To write data from data bus to display RAM. | |
| Read display data | 1 | 0 | 1 | Read Data | | | | | | | To read data from display RAM to data bus | |
| Select ADC | 0 | 1 | 0 | 1 | 0 | 1 | 0 | 0 | 0 | 0 | 0/1 | 0: CW output, 1: CCW output |
| Status drive ON/OFF | 0 | 1 | 0 | 1 | 0 | 1 | 0 | 0 | 1 | 0 | 0/1 | To select static driving operation 1: Static drive, 0: Normal driving |
| Select Duty | 0 | 1 | 0 | 1 | 0 | 1 | 0 | 1 | 0 | 0 | 0/1 | To select duty cycle 1: 1/32 duty, 0: 1/16 duty |
| Read-modify-write | 0 | 1 | 0 | 1 | 1 | 1 | 0 | 0 | 0 | 0 | 0 | Read-modify-write ON |
| End | 0 | 1 | 0 | 1 | 1 | 1 | 0 | 1 | 1 | 1 | 0 | Read-modify-write OFF |
| Reset | 0 | 1 | 0 | 1 | 1 | 1 | 0 | 0 | 0 | 1 | 0 | To reset by software |

COMMAND DESCRIPTION

Display ON/OFF

| Ao | RD | WR | D7 | D6 | D5 | D4 | D3 | D2 | D1 | D0 | |
|----|----|----|----|----|----|----|----|----|----|----|----------|
| 0 | 1 | 0 | 1 | 0 | 1 | 0 | 1 | 1 | 1 | D | AEH, AFH |

This command turns the display ON or OFF.

D=1 : Display ON

D=0 : Display OFF

Display Start Line

This command specifies the line address shown in page 13 and indicates the display line that corresponding to COM 0. The display area begins at the specified line address and continues in the line address increment direction. This area having the number of line of specified display duty is displayed. If the line address is changed dynamically by this command, the vertical smooth scrolling and paging can be used.

| Ao | RD | WR | D7 | D6 | D5 | D4 | D3 | D2 | D1 | D0 | |
|----|----|----|----|----|----|----|----|----|----|----|------------|
| 0 | 1 | 0 | 1 | 1 | 0 | A4 | A3 | A2 | A1 | A0 | C0H to DFH |

This command loads the display start line register.

| A4 | A3 | A2 | A1 | A0 | Line Address |
|----|----|----|----|----|--------------|
| 0 | 0 | 0 | 0 | 0 | 0 |
| 0 | 0 | 0 | 0 | 1 | 1 |
| | | ⋮ | | | ⋮ |
| 1 | 1 | 1 | 1 | 1 | 31 |

See the figure in page 13.

Set Page address

This command specifies the page address that corresponds to the low address of the display data RAM when it is accessed by the MPU. Any bit of the display data RAM can be accessed when its page address and column address are specified. The display status is not changed even when the page address is changed.

| Ao | RD | WR | D7 | D6 | D5 | D4 | D3 | D2 | D1 | D0 | |
|----|----|----|----|----|----|----|----|----|----|----|------------|
| 0 | 1 | 0 | 11 | 0 | 1 | 1 | 1 | 0 | A1 | A0 | B8H to BBH |

This command loads the page address register.

| A1 | A0 | Page |
|----|----|------|
| 0 | 0 | 0 |
| 0 | 1 | 1 |
| 1 | 0 | 2 |
| 1 | 1 | 3 |

See the figure in page 13.

Set Column Address

This command specifies a column address of the display data RAM. When the display data RAM is accessed by the MPU continuously, the column address is increased by 1 every time. Therefore the MPU can access to data continuously. The column address stops to be incremented at address 80, and the page address is not changed continuously.

| Ao | RD | WR | D7 | D6 | D5 | D4 | D3 | D2 | D1 | D0 | |
|----|----|----|----|----|----|----|----|----|----|----|------------|
| 0 | 1 | 0 | 0 | A6 | A5 | A4 | A3 | A2 | A1 | A0 | 00H to 4FH |

This command loads the column address register.

| A6 | A5 | A4 | A3 | A2 | A1 | A0 | Line Address |
|----|----|----|----|----|----|----|--------------|
| 0 | 0 | 0 | 0 | 0 | 0 | 0 | 0 |
| 0 | 0 | 0 | 0 | 0 | 0 | 1 | 1 |
| | | | ⋮ | | | | ⋮ |
| 1 | 1 | 1 | 1 | 1 | 1 | 1 | 79 |

Read Status

| Ao | RD | WR | D7 | D6 | D5 | D4 | D3 | D2 | D1 | D0 | |
|----|----|----|------|-----|--------|-------|----|----|----|----|------------|
| 0 | 0 | 1 | BUSY | ADC | ON/OFF | RESET | 0 | 0 | 0 | 0 | 00H to 4FH |

Reading the command I/O register (Ao=0) yields system status information.

- The busy bit indicates whether the driver will accept a command or not.
 Busy=1: The driver is currently executing a command or is resetting. No new command will be accepted.
 Busy=0: The driver will accept a new command.
- The ADC bit indicates the way column addresses are assigned to a segment drivers
 ADC=1: Normal. Column address n → segment address n.
 ADC=0: Inverted. Column address 79-u → segment driver u.
- The ON/OFF bit indicates the current status of the display.
 It is the inverse of the polarity of the display ON/OFF command.
 ON/OFF=1: Display OFF.
 ON/OFF=0: Display ON.
- The RESET bit indicates whether the driver is executing a hardware or a software reset or it is in a normal operating mode.
 RESET=1: Currently executing the reset command.
 RESET=0: Normal operating.

Write Display Data

| Ao | RD | WR | D7 | D6 | D5 | D4 | D3 | D2 | D1 | D0 |
|----|----|----|------------|----|----|----|----|----|----|----|
| 1 | 1 | 0 | Write Data | | | | | | | |

To write an 8-bit data into the display RAM, at a location specified by the contents of the column address and page address register by one.

Read Display Data

| Ao | RD | WR | D7 | D6 | D5 | D4 | D3 | D2 | D1 | D0 |
|----|----|----|-----------|----|----|----|----|----|----|----|
| 1 | 0 | 1 | Read Data | | | | | | | |

To read an 8-bit data from the data I/O latch, updates the contents of the I/O latch with display data from the display data RAM location specified by the contents of the column address and page address registers and then increments the column address register.

After loading a new address into the column address register one dummy read is required before valid data is obtained.

Select ADC

| Ao | RD | WR | D7 | D6 | D5 | D4 | D3 | D2 | D1 | D0 |
|----|----|----|----|----|----|----|----|----|----|----|
| 0 | 1 | 0 | 1 | 0 | 1 | 0 | 0 | 0 | 0 | D |

A0H, A1H

This command selects the relationship between display data RAM column address and segment driver.

D=0: SEG0 ← column address 00H, ...(normal)

This command is provided to reduce restrictions on the placement of the driver ICs and routing of tracing during printed circuit board layout. In this LCD module the D should be cleared to 0.

Static Driver ON/OFF

| Ao | RD | WR | D7 | D6 | D5 | D4 | D3 | D2 | D1 | D0 |
|----|----|----|----|----|----|----|----|----|----|----|
| 0 | 1 | 0 | 1 | 0 | 1 | 0 | 0 | 1 | 0 | D |

A4H, A5H

To force the display on and all common outputs to be selected.

D=1: Static driver ON.

D=0: Static driver OFF.

Select Duty

| Ao | RD | WR | D7 | D6 | D5 | D4 | D3 | D2 | D1 | D0 |
|----|----|----|----|----|----|----|----|----|----|----|
| 0 | 1 | 0 | 1 | 0 | 1 | 0 | 1 | 0 | 0 | D |

A8H, A9H

To set the D-bit to 1 because the LCD module is 1/32 duty.

End

| Ao | RD | WR | D7 | D6 | D5 | D4 | D3 | D2 | D1 | D0 |
|----|----|----|----|----|----|----|----|----|----|----|
| 0 | 1 | 0 | 1 | 1 | 1 | 0 | 1 | 1 | 1 | 0 |

EEH

This command cancels the **Read-Modify-Write** mode and restores the contents of the column address register to their value prior to the receipt of the **Read-Modify-Write** command.

Reset

| Ao | RD | WR | D7 | D6 | D5 | D4 | D3 | D2 | D1 | D0 |
|----|----|----|----|----|----|----|----|----|----|----|
| 0 | 1 | 0 | 1 | 1 | 1 | 0 | 0 | 0 | 1 | 0 |

E2H

This command clears:

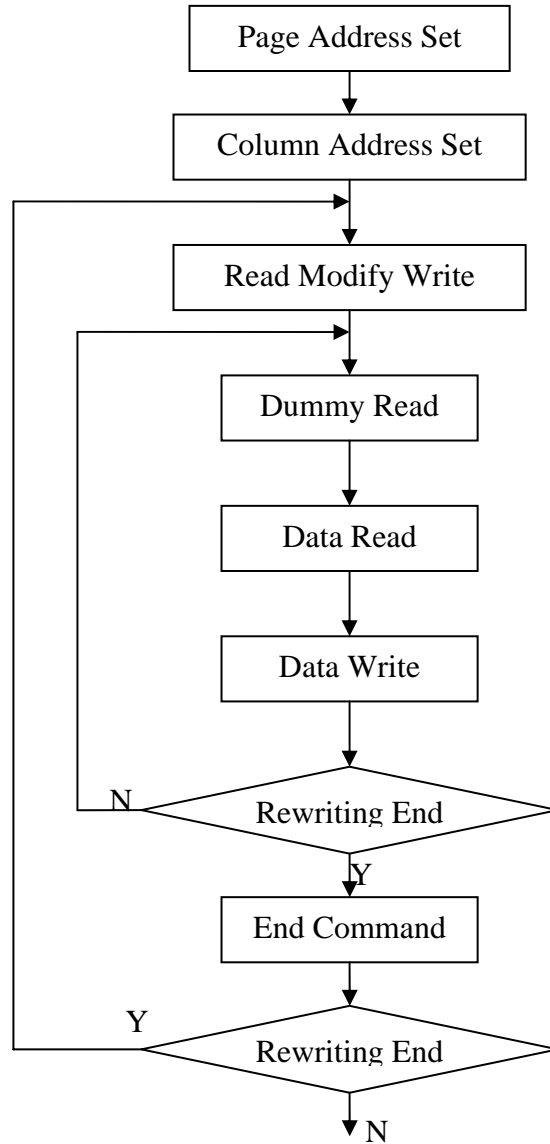
The display start line register and to set page address register to 3 page.

It does not affect the contents of the display data RAM. When the power supply is turned on, the user must sent a Reset signal into the RES pin. The Reset command cannot be used instead of this Reset signal.

Read-Modify-Write

| Ao | RD | WR | D7 | D6 | D5 | D4 | D3 | D2 | D1 | D0 | |
|----|----|----|----|----|----|----|----|----|----|----|-----|
| 0 | 1 | 0 | 1 | 1 | 1 | 0 | 0 | 0 | 0 | 0 | E0H |

This command defeats column address register auto-increment after reading data. The current contents of the column address register are saved. This mode remains active until an **END** command is received.



INITIALIZATION PROCEDURE

Detects a rising edge or falling edge of an RES input and initializes the MPU during power-on.
Initialization status:

1. Display is OFF
2. Display start line register is set to line 1
3. Static drive is turn off
4. Column address counter is set to address 0.
5. Page address register is set to page 3.
6. 1/32 duty is selected.
7. Forward ADC is selected(ADC command D0 is 1 and ADC status flag is 1)
8. Read-modify-write is OFF.

The input signal level at RES pin is sensed, and the MPU interface mode is selected as shown in Table below. For the 80-series MPU, the RES pin is passed through the inverter and the active high reset signal must be entered. For the 68-series MPU, the active low reset signal must be entered.

| RES signal input level | MPU type | Ao | E | R/W | CS | D0~D7 |
|------------------------|-----------|----|----|-----|----|-------|
| Active LOW | 68-series | ↑ | ↑ | ↑ | ↑ | ↑ |
| Active HIGH | 80-series | ↑ | RD | WR | ↑ | ↑ |

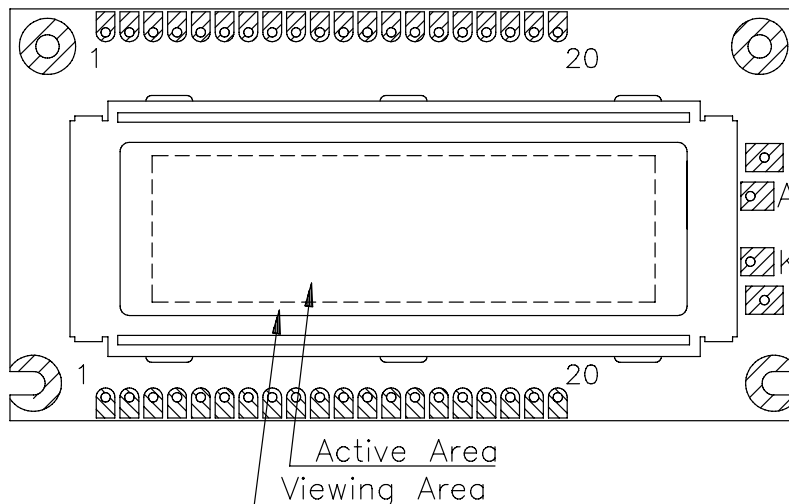
RELIABILITY TEST

| No | Item | Conditions | | Note |
|----|----------------------------------|---|-----------|----------------------|
| 1 | High Temp. Operation | 70°C | 240 HR | |
| 2 | High Temp. Storage | 80°C | 240 HR | |
| 3 | Low Temp. Operation | -20°C | 240 HR | |
| 4 | Low Temp. Storage | -30°C | 240 HR | |
| 5 | High Temp./Humid Storage | 40°C 90%RH | 240 HR | |
| 6 | Thermal Shock | 0°C ,30min +40°C ,30min | 10 cycles | |
| 7 | Vibration Test (IEC-68-2-6) | Frequency : 10~55 Hz Duration : 20 times, 6 min/time Amplitude : 0.75 mm | - | |
| 8 | Shock (IEC 68-2-27) | Duration : 11 mS Acceleration : 100g | - | X, Y, Z direction |

APPEARANCE CHECK

CONDIITON OF APPEARANCE CHECK:

- (1) Specimen shall be checked by eyes in distance of 30cm under 40w-fluorescence lamp.
- (2) Checking direction shall be in 45 degree from perpendicular line op specimen surface.



HANDLING PRECAUTIONS

- (1) Treat polarizer very carefully since it is easy to be damaged.
- (2) When cleaning the display surface, use soft cloth (e.g. gauss) with a solvent (recommended below) and wipe lightly.

- ◆ ethyl alcohol
- ◆ iso-procolol

Do not wipe the display surface with dry or hard materials that will damage the polarizer surface.

Do not use the following solvents:

- ◆ water
- ◆ ketone
- ◆ aromatics

- (3) Direct current causes electro-chemical reaction with remarkable degradation of the display quality. Give careful consideration to prevent direct current at ON/OFF timing and during operation.
- (4) Avoid strong shock and drop from the height.
- (5) To prevent LCD panels from degradation, do not operate or store them exposed directly to sunshine or high temperature/humidity.
- (6) Give careful consideration to avoid electrical static discharge with causes uneven contrast.
- (7) Even a small condensation on the contact pads (terminals) causes electro-chemical reaction which makes missing row and column. Give careful attention to avoid condensation. When assembling with zebra connector, clean the surface of the pads with alcohol and keep the air very clean.

Компания «Life Electronics» занимается поставками электронных компонентов импортного и отечественного производства от производителей и со складов крупных дистрибьюторов Европы, Америки и Азии.

С конца 2013 года компания активно расширяет линейку поставок компонентов по направлению коаксиальный кабель, кварцевые генераторы и конденсаторы (керамические, пленочные, электролитические), за счёт заключения дистрибьюторских договоров

Мы предлагаем:

- Конкурентоспособные цены и скидки постоянным клиентам.
- Специальные условия для постоянных клиентов.
- Подбор аналогов.
- Поставку компонентов в любых объемах, удовлетворяющих вашим потребностям.
- Приемлемые сроки поставки, возможна ускоренная поставка.
- Доставку товара в любую точку России и стран СНГ.
- Комплексную поставку.
- Работу по проектам и поставку образцов.
- Формирование склада под заказчика.
- Сертификаты соответствия на поставляемую продукцию (по желанию клиента).
- Тестирование поставляемой продукции.
- Поставку компонентов, требующих военную и космическую приемку.
- Входной контроль качества.
- Наличие сертификата ISO.

В составе нашей компании организован Конструкторский отдел, призванный помогать разработчикам, и инженерам.

Конструкторский отдел помогает осуществить:

- Регистрацию проекта у производителя компонентов.
- Техническую поддержку проекта.
- Защиту от снятия компонента с производства.
- Оценку стоимости проекта по компонентам.
- Изготовление тестовой платы монтаж и пусконаладочные работы.



Тел: +7 (812) 336 43 04 (многоканальный)

Email: org@lifeelectronics.ru