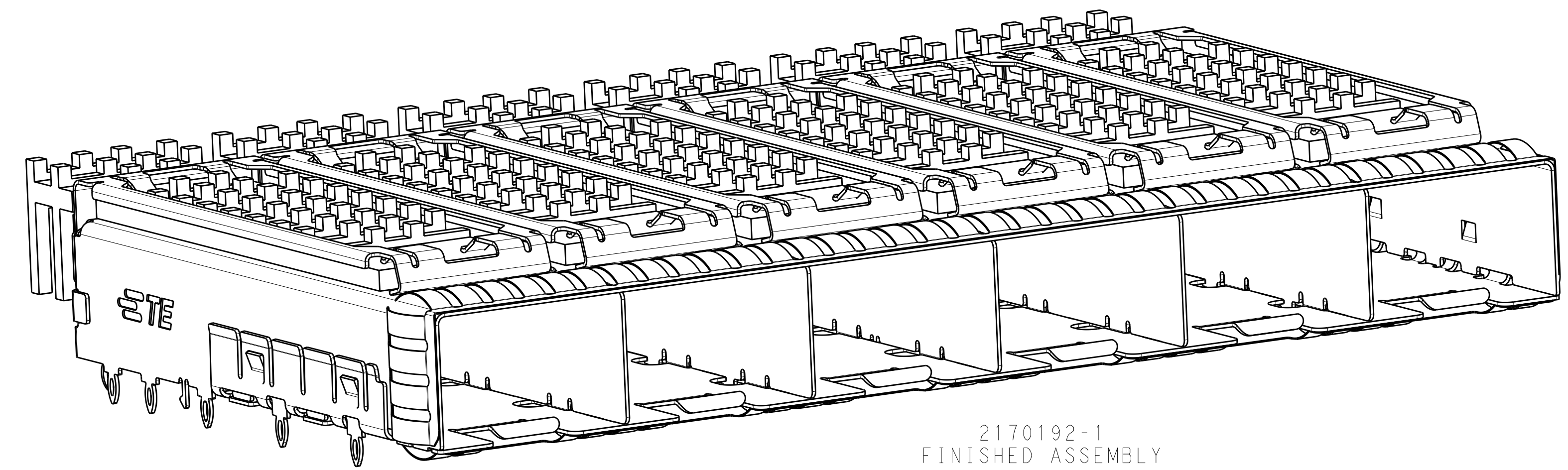
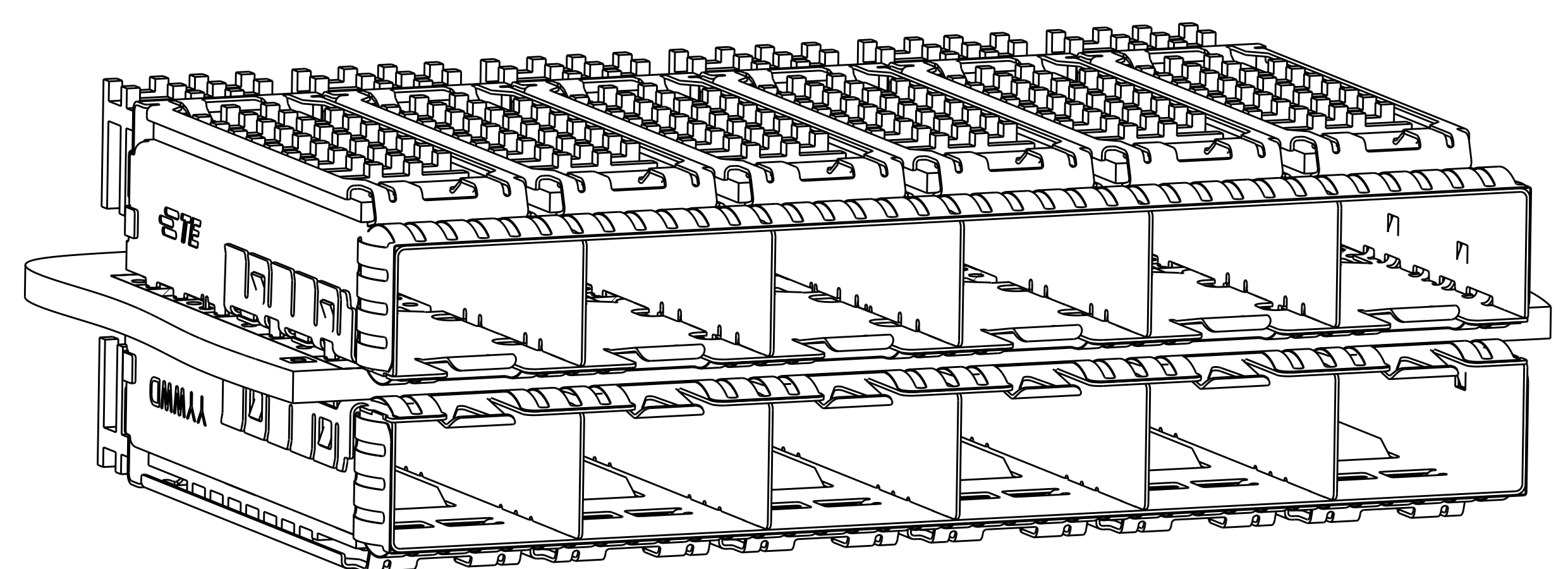
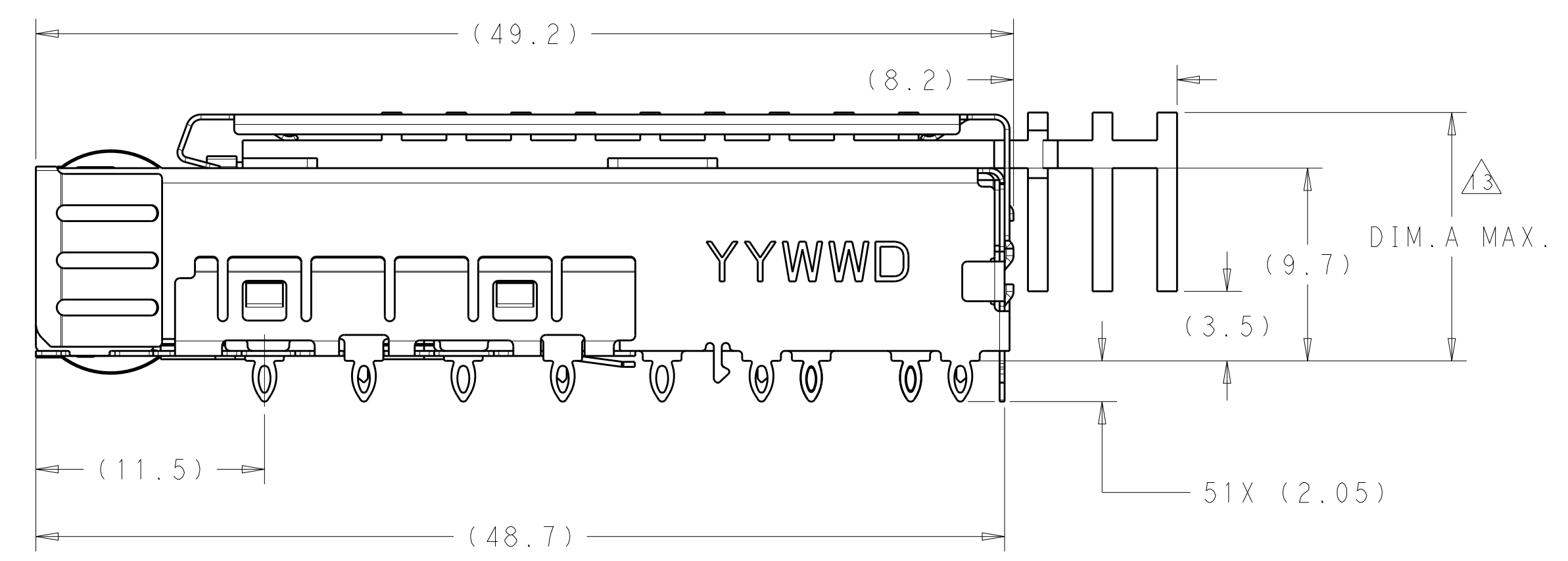
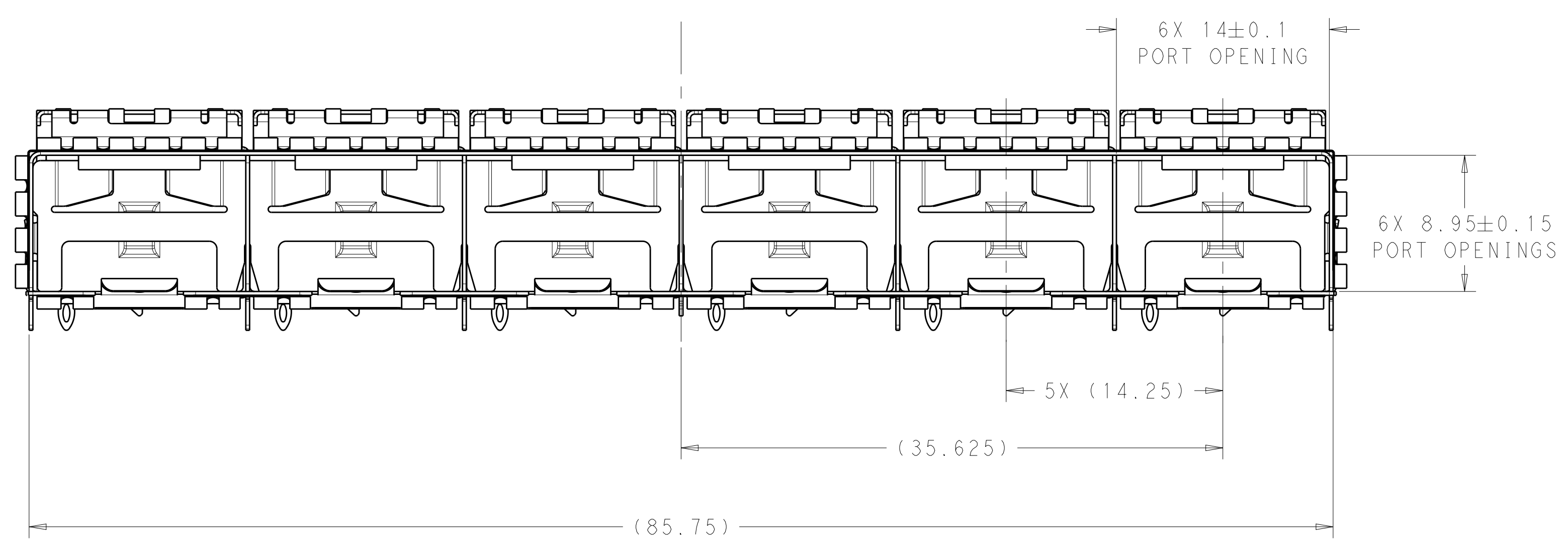


| LOC | DIST | REVISIONS | | | | | |
|-----|------|-----------|-----|-----------------|-----------|-----|------|
| GP | 00 | P | LTN | DESCRIPTION | DATE | DWN | APVD |
| | | A | | INITIAL RELEASE | 10AUG2015 | JW | SH |



2170192-1
FINISHED ASSEMBLY
SCALE 4:1

- 1 MATERIAL:
CAGE ASSEMBLY: 0.25mm THICK NICKEL SILVER ALLOY.
HEATSINK CLIP: STAINLESS STEEL
HEATSINK: ALUMINUM
- 2 FINISH:
SPRINGS: MINIMUM OF 0.8um TIN PLATE OVER A MINIMUM OF 0.8um NICKEL UNDERPLATE. NON-PLATED EDGES PERMISSIBLE.
HEATSINK CLIP: PASSIVATE
2170192-1/-2 HEATSINK: HARD ANODIC COATING
2170192-3 HEATSINK: BLACK ANODIZE
- 3. MATES WITH SFP MSA COMPLIANT TRANSCEIVERS.
- 4 PADS AND VIAS CHASSIS GROUND.
- 5. INTERPRETATION OF DATUM REFERENCE FRAME IN ACCORDANCE WITH SECT 4.4.1.1 OF ASME Y14.5M-1994.
- 6 MINIMUM PCB BOARD THICKNESS:
SINGLE SIDED = 1.50
DOUBLE SIDED = 2.25
- 7 HOLE PATTERN REPEATS FOR EACH PORT. SPACING BETWEEN PORTS IS 14.25mm.
- 8 DATUM AND BASIC DIMENSION ESTABLISHED BY CUSTOMER.
- 9 REFERENCE APPLICATION SPEC. 114-13120, HOLE A, FOR RECOMMENDED DRILL HOLE DIAMETER AND PLATING THICKNESS.
- 10 REFERENCE APPLICATION SPEC. 114-13120, HOLE B, FOR RECOMMENDED DRILL HOLE DIAMETER AND PLATING THICKNESS.
- 11. CERTAIN MATING TRANSCEIVERS MAY REQUIRE ADDITIONAL PCB THICKNESS THAT WOULD BE DETERMINED BY THE CUSTOMER.
- 12. PRODUCT COMPLIES WITH SPECIFICATION SFF-8433 IMPROVED PLUGGABLE FORM FACTOR FOR SFP+ GANGED CAGES.
- 13 DIMENSION APPLIES PRIOR TO INSERTION OF SFP MODULE



2170192-1
MOUNTED BELLY TO BELLY ON PCB
SCALE 3:1

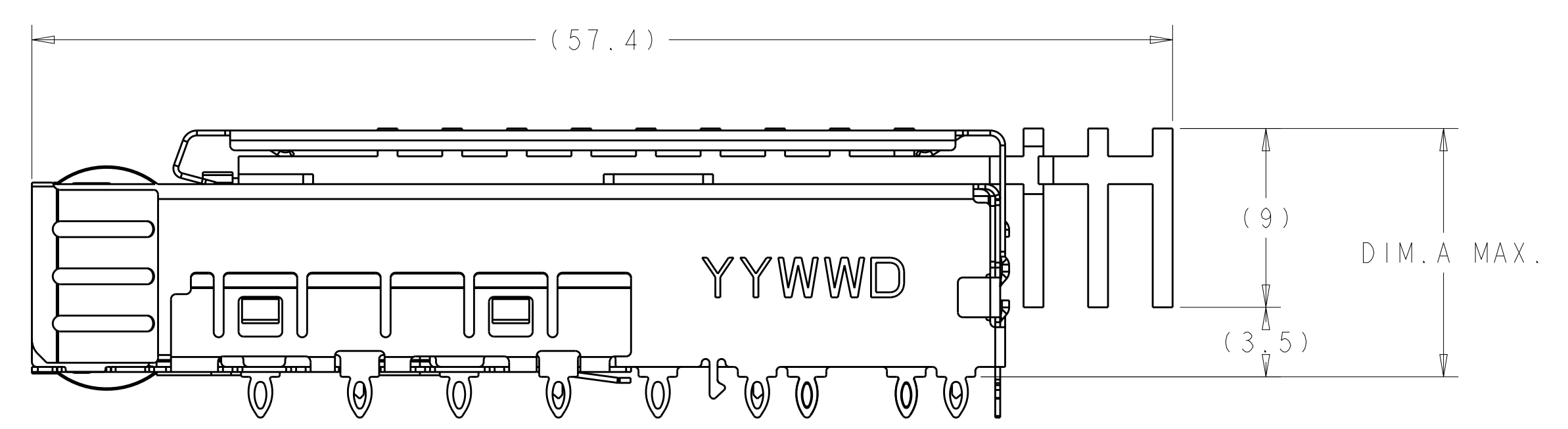
PRELIMINARY

| | | | |
|---------------------|-----------|---------------------------------|-------------|
| 13.10 MAX.(WORKING) | FIN TYPE | HEAT SINK W/ THE FIRST ROW PIN | 2170192-3 |
| 20.2 MAX | PIN TYPE | HEAT SINK W/ THE FIRST ROW PIN | 2170192-2 |
| 13 MAX | PIN TYPE | HEAT SINK W/O THE FIRST ROW PIN | 2170192-1 |
| A | HEAT SINK | DESCRIPTION | PART NUMBER |

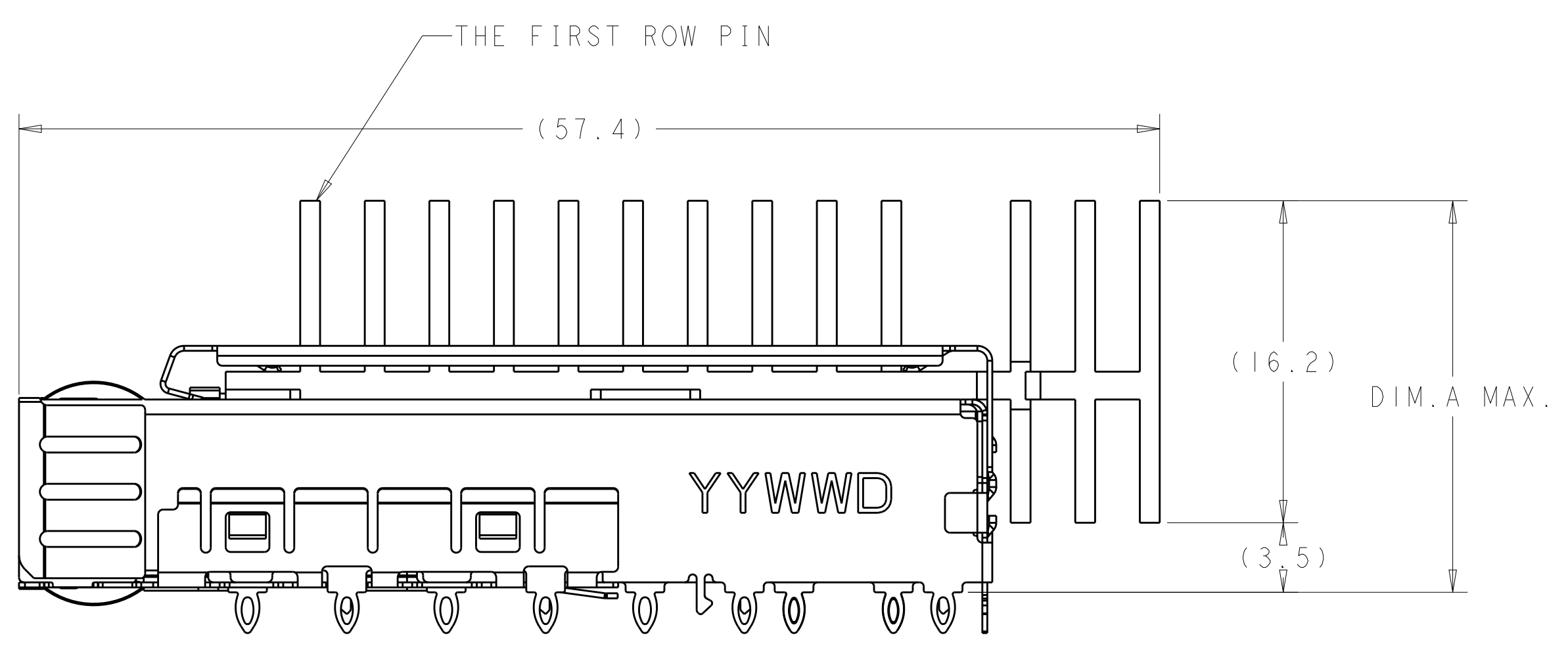
THIS DRAWING IS A CONTROLLED DOCUMENT.

| | | | |
|-------------|--|-----------------------------|--|
| DIMENSIONS: | TOLERANCES UNLESS OTHERWISE SPECIFIED: | OWN: TIM XUE 22NOV2011 | TE Connectivity |
| mm | 0 PLC ±0.25 | CHK: ALEX CAI 22NOV2011 | |
| | 1 PLC ±0.20 | APVD: ALEX CAI 22NOV2011 | |
| | 2 PLC ±0.15 | PRODUCT SPEC: 108-2364 | |
| | 3 PLC ±0.1 | APPLICATION SPEC: 114-13120 | NAME: SFP+ ENHANCED 1X6 CAGE ASSEMBLY, PRESS FIT, EXTERNAL EMI SPRINGS WITH HEATSINK |
| | 4 PLC ±0.1 | ANGLES ±1* | SIZE: CAGE CODE DRAWING NO. RESTRICTED TO |
| MATERIAL | FINISH | WEIGHT | A100779C=2170192 |
| | | Customer Drawing | SCALE 4:1 SHEET 1 OF 5 REV A |

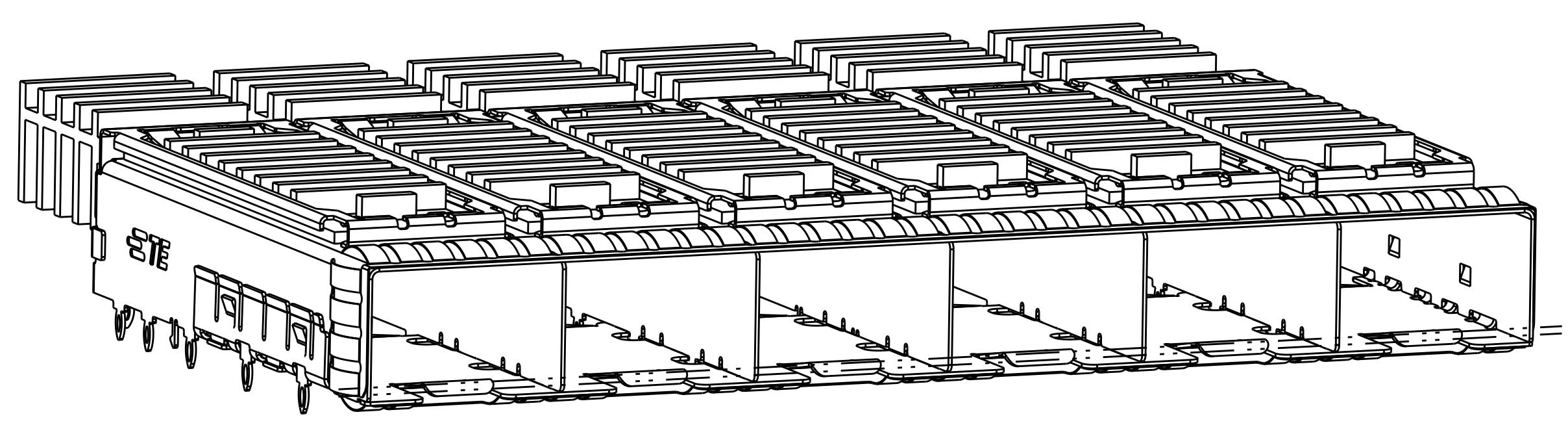
| LOC | | DIST | | REVISIONS | | | |
|-----|----|------|-----|-------------|------|-----|------|
| GP | 00 | P | LTN | DESCRIPTION | DATE | DMN | APVD |
| | | - | | SEE SHEET 1 | | | |



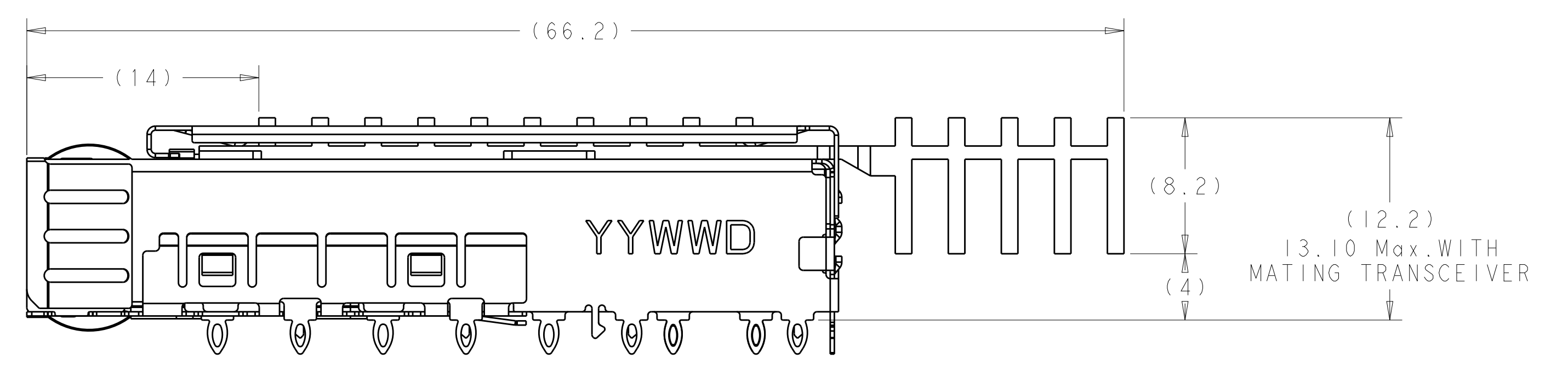
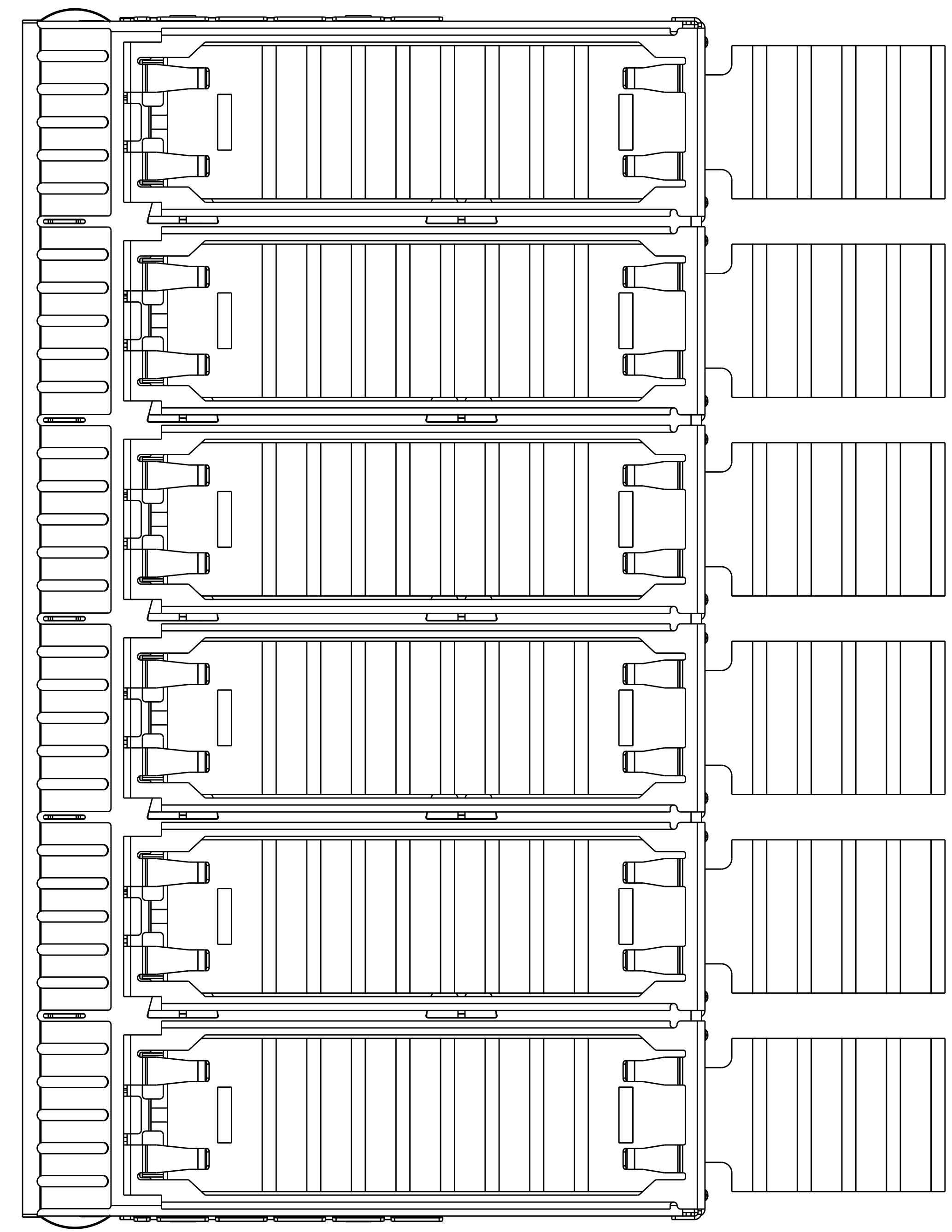
2170192-1 AS SHOWN
HEAT SINK W/O THE FIRST ROW PIN



2170192-2 AS SHOWN



2170192-3 AS SHOWN

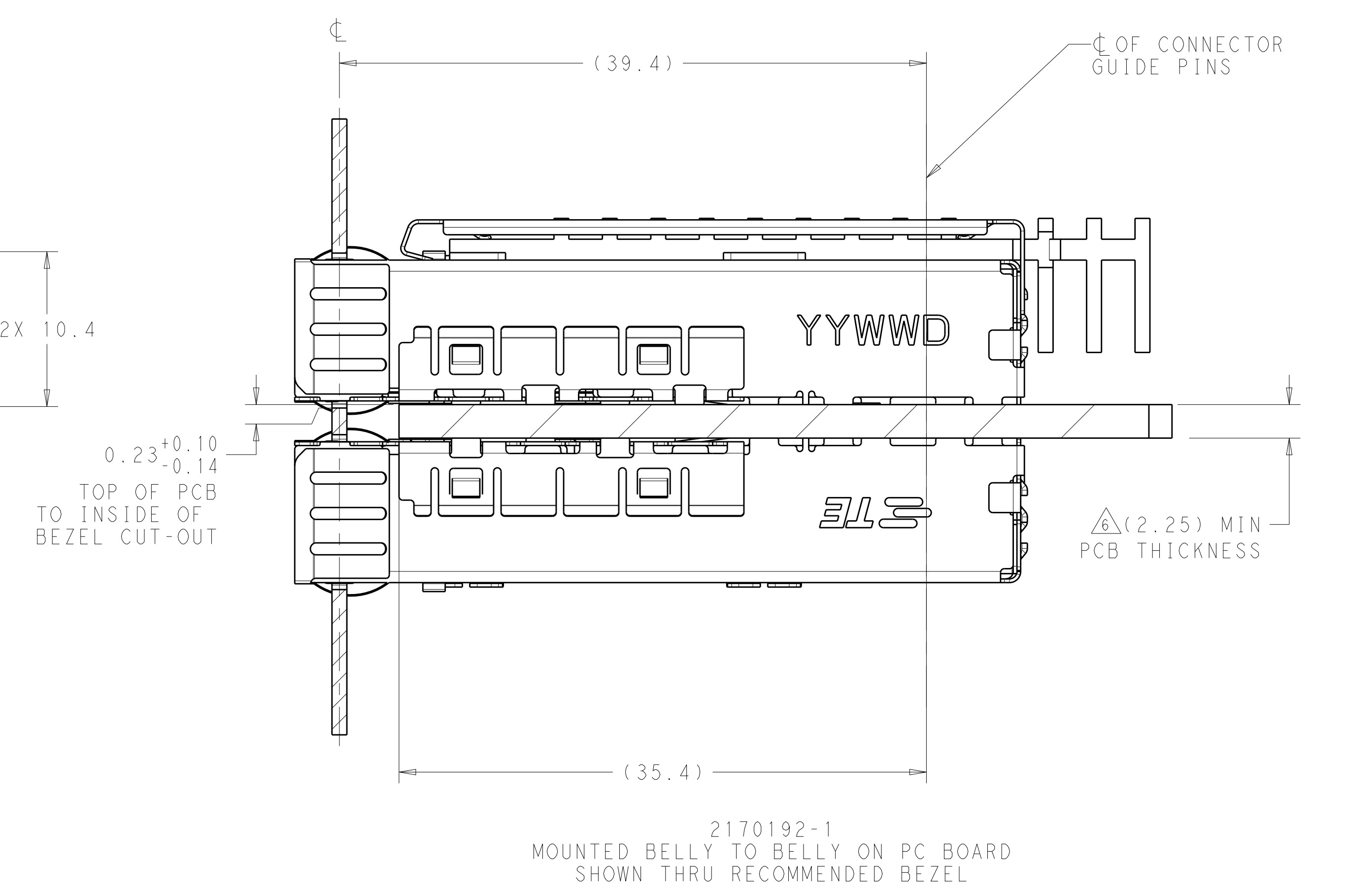
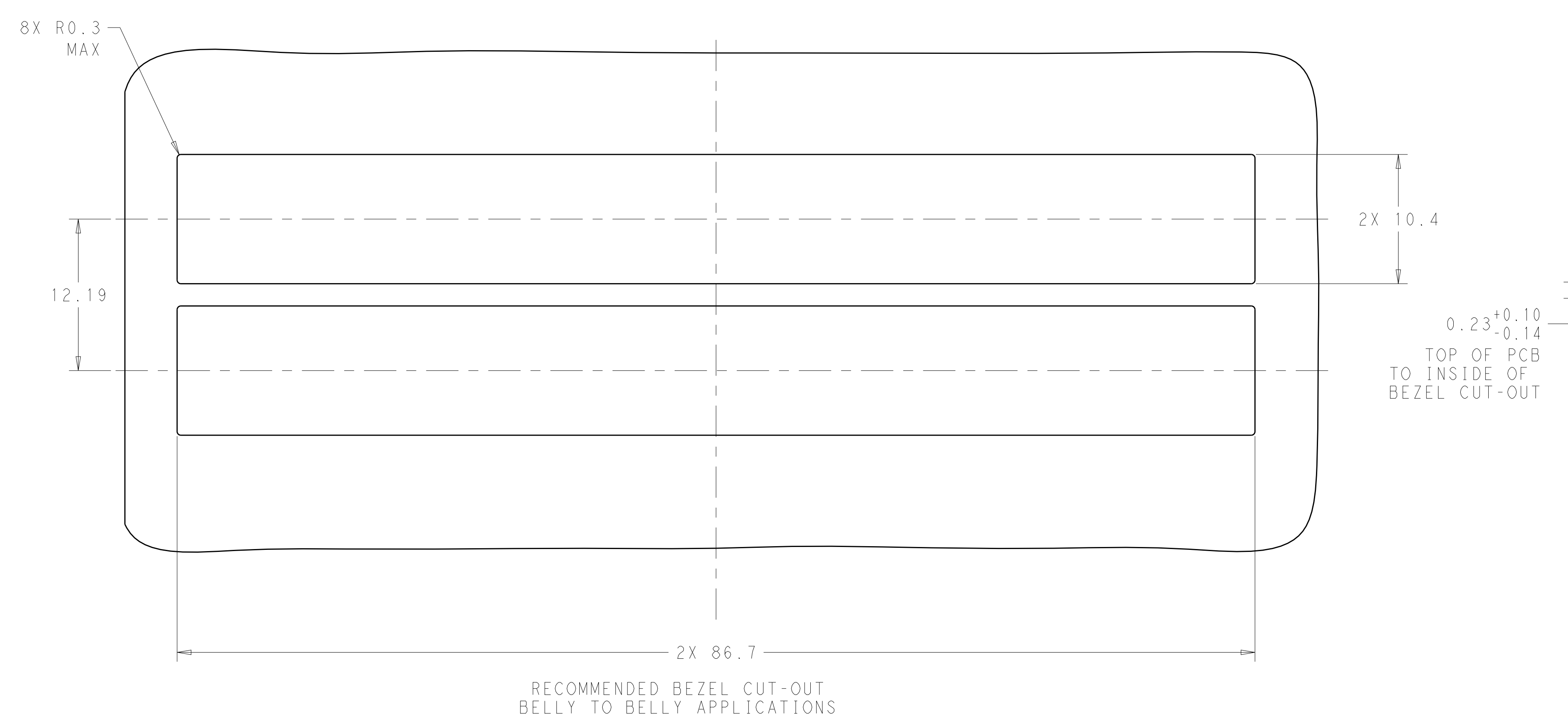
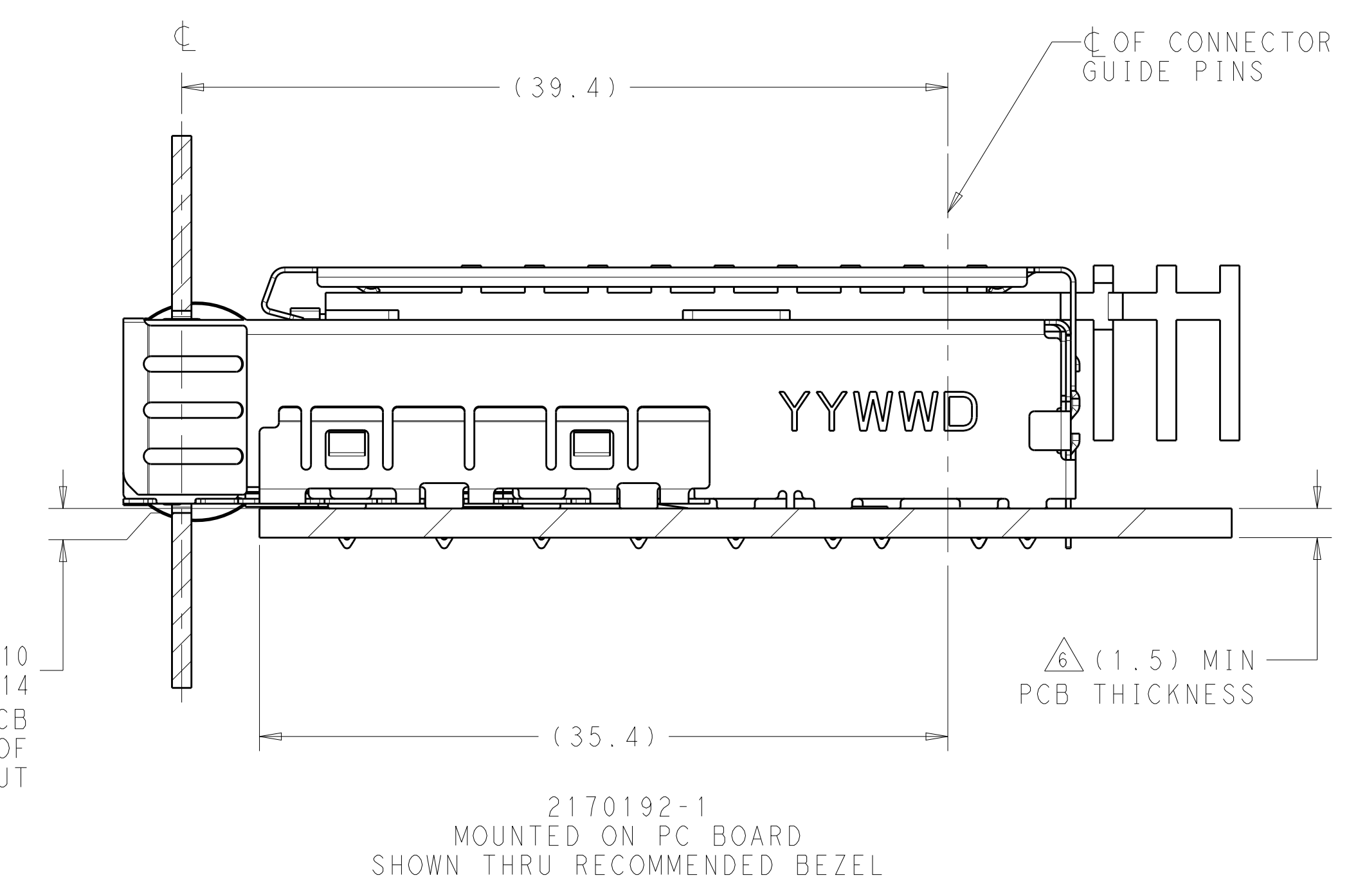
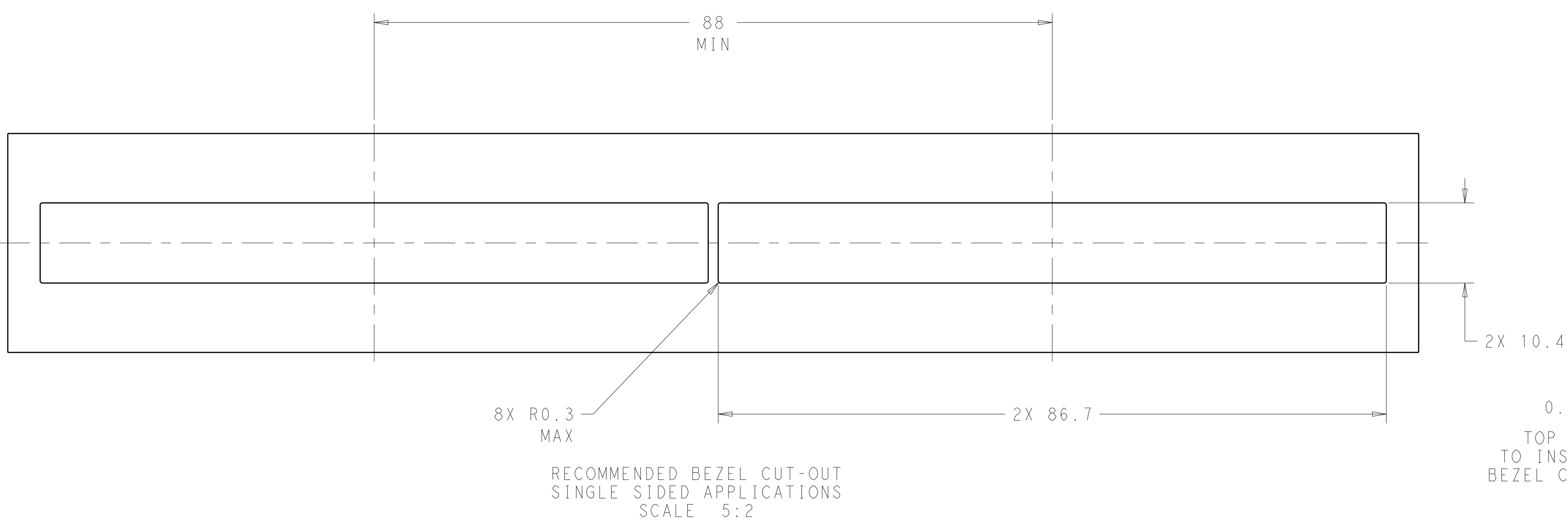


2170192-3 AS SHOWN

| | | | | |
|--|-------------|--------------------------|-----------------------------|--|
| THIS DRAWING IS A CONTROLLED DOCUMENT. | | DMN: TIM XUE 22NOV2011 | | TE Connectivity |
| DIMENSIONS: | | CHK: ALEX CAI 22NOV2011 | | NAME: SFP+ ENHANCED 1X6 CAGE ASSEMBLY, PRESS FIT, EXTERNAL EMI SPRINGS WITH HEATSINK |
| TOLERANCES UNLESS OTHERWISE SPECIFIED: | | APVD: ALEX CAI 22NOV2011 | PRODUCT SPEC: 108-2364 | RESTRICTED TO: |
| mm | 0 PLC ±0.25 | PRODUCT SPEC: 108-2364 | APPLICATION SPEC: 114-13120 | SIZE: A100779C=2170192 |
| | 1 PLC ±0.20 | APPLIC. SPEC: 114-13120 | WEIGHT: - | SCALE: 4:1 |
| | 2 PLC ±0.15 | FINISH: - | | SHEET 2 OF 5 |
| | 3 PLC ±0.1 | | | REV A |
| | 4 PLC ±0.1 | | | |
| | ANGLES ±0.1 | | | |
| MATERIAL: | | Customer Drawing | | |

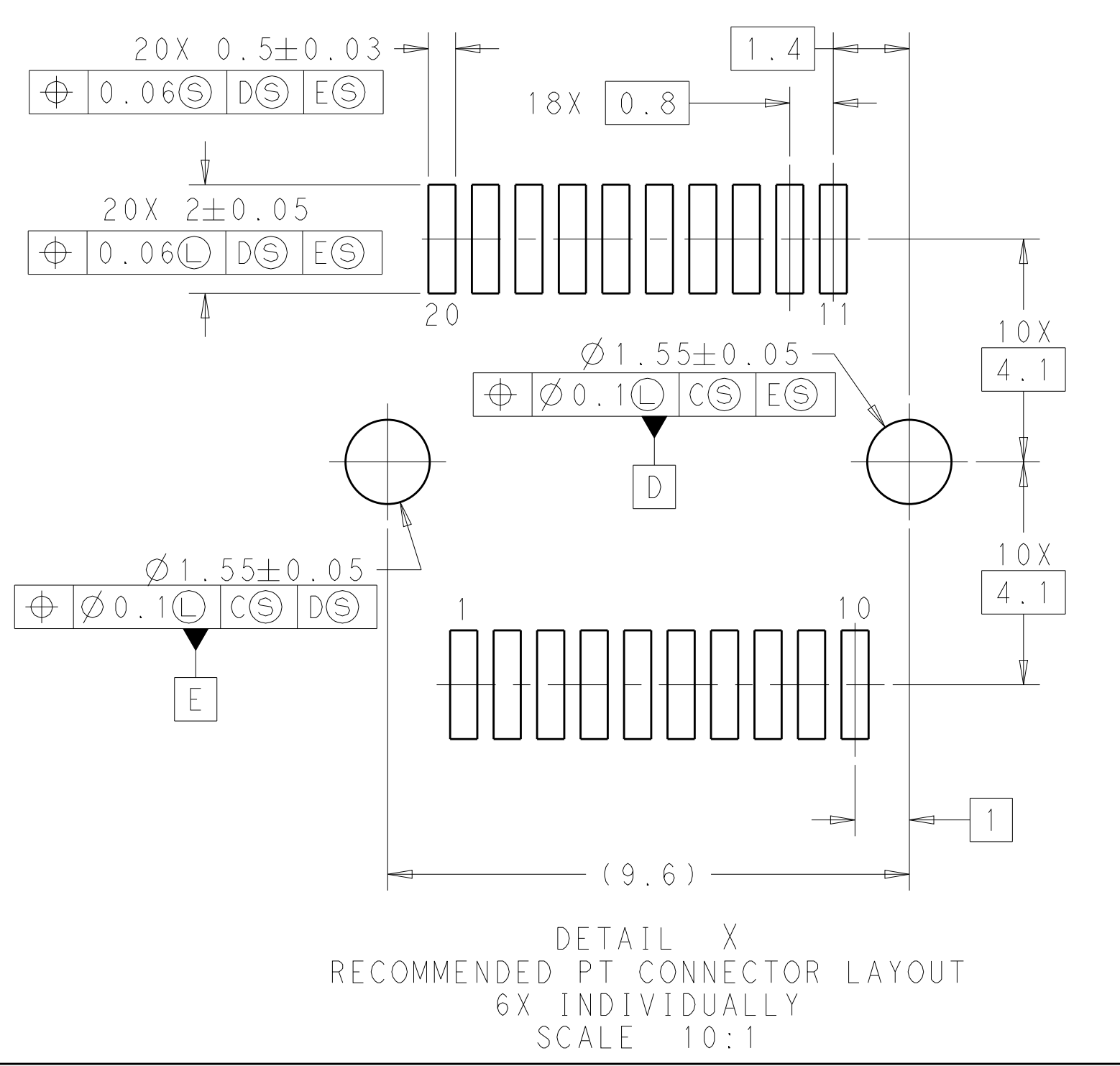
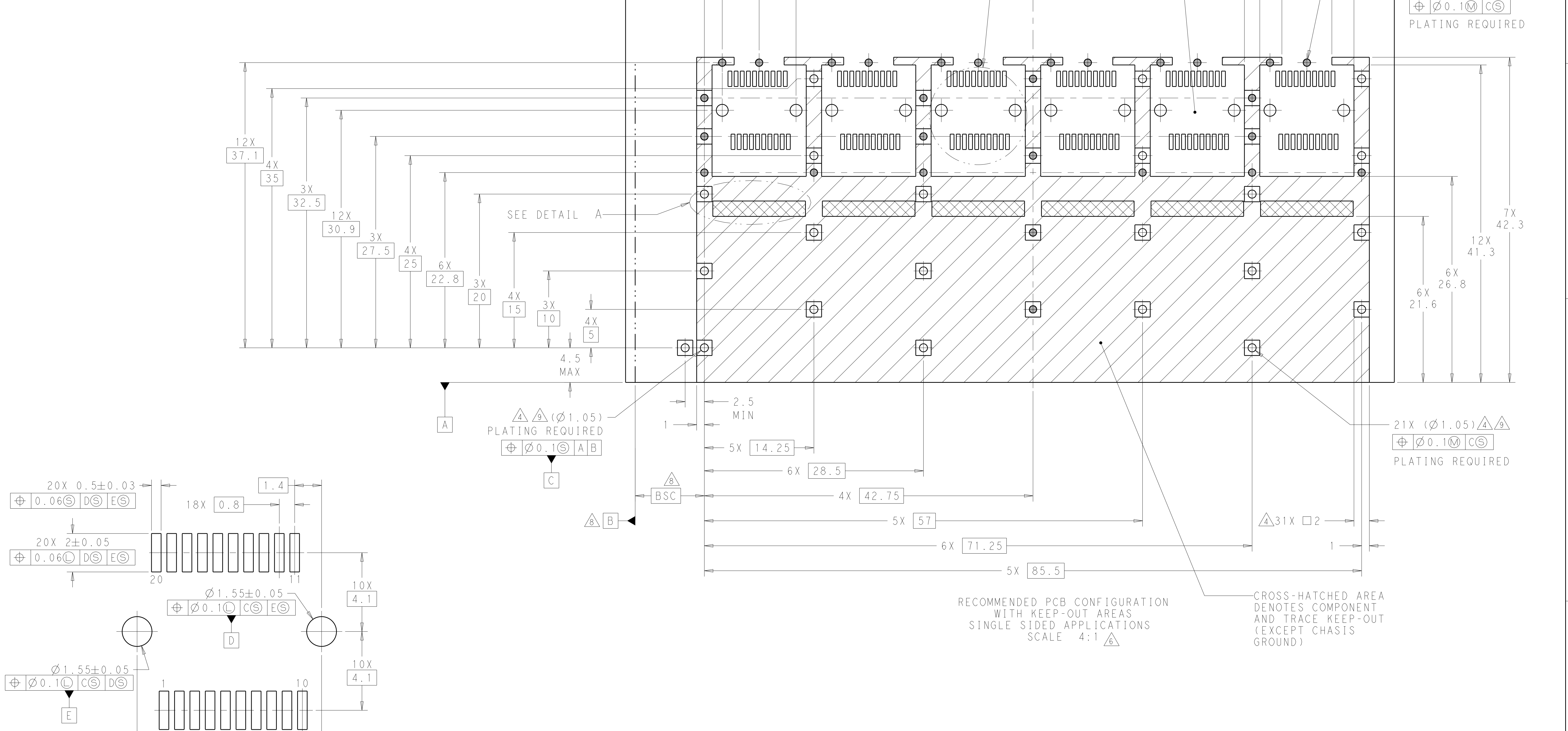
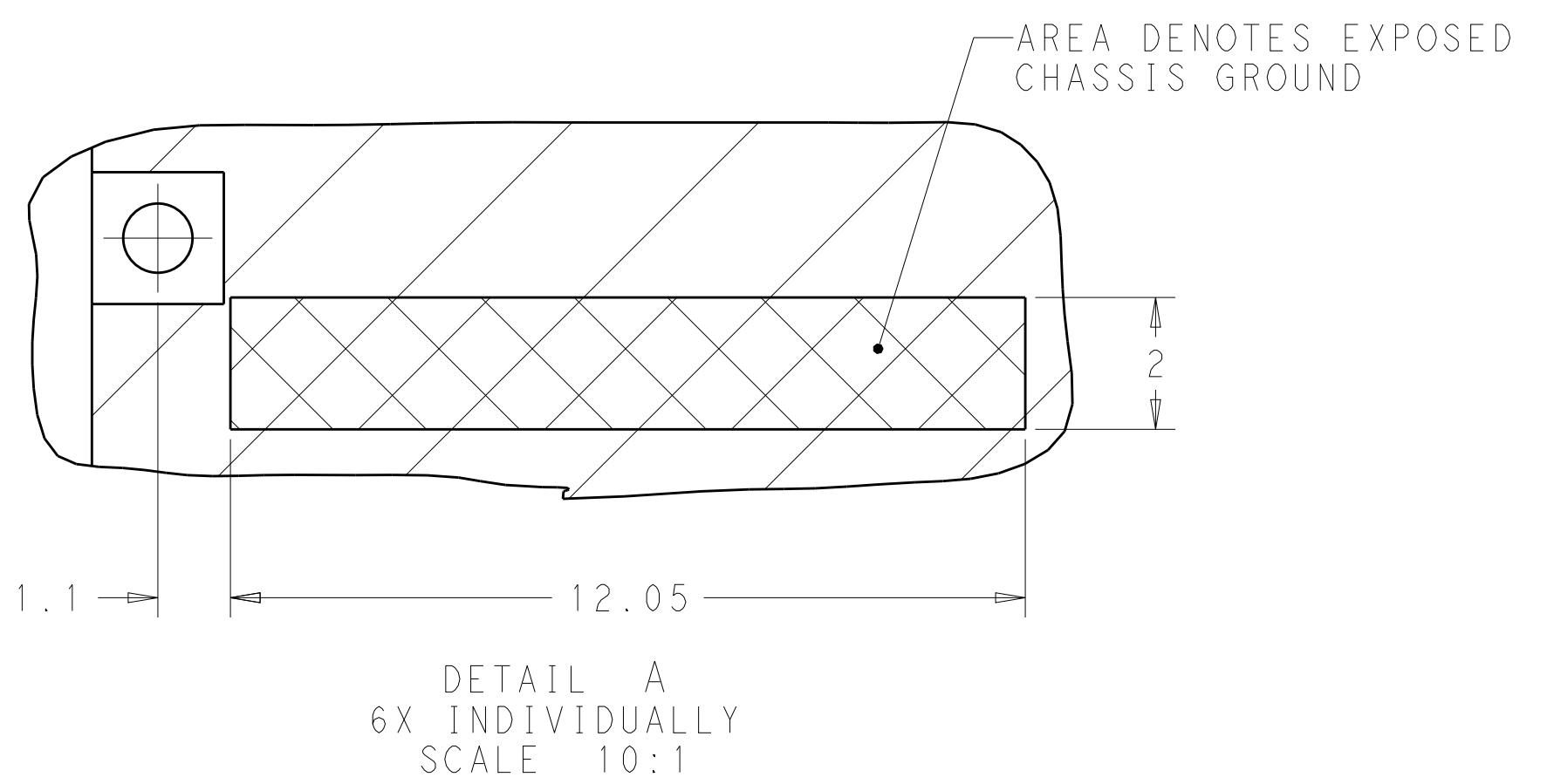
| LOC | DIST | REV | DATE | BY | APPV |
|-----|------|-----|------|----|------|
| GP | 00 | | | | |

| REVISIONS | | DATE | BY | APPV |
|-----------|-------------|------|----|------|
| 1 | SEE SHEET 1 | | | |



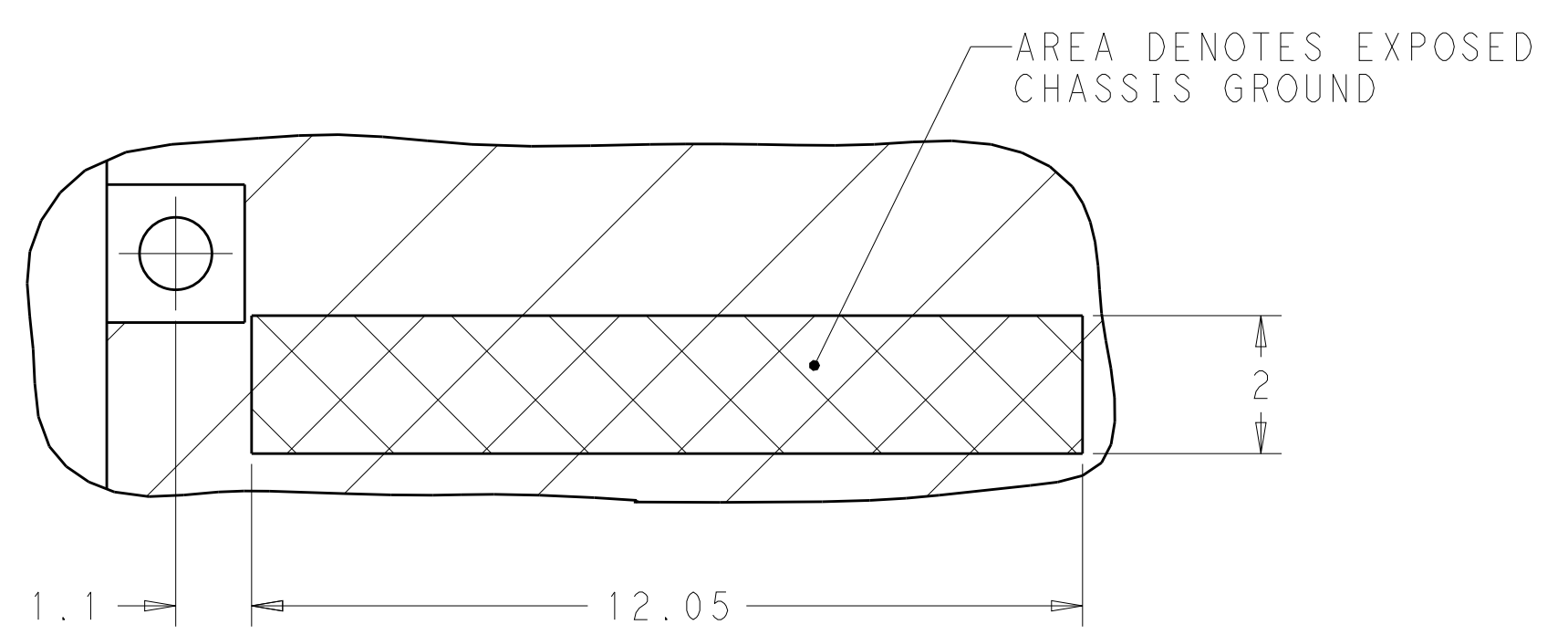
| | | | |
|--|--|-----------------------------|--|
| THIS DRAWING IS A CONTROLLED DOCUMENT. | | OWN: TIM XUE 22NOV2011 | STE TE Connectivity |
| DIMENSIONS: mm | | CHK: ALEX CAI 22NOV2011 | |
| TOLERANCES UNLESS OTHERWISE SPECIFIED: | | APVD: ALEX CAI 22NOV2011 | NAME: SFP+ ENHANCED 1X6 CAGE ASSEMBLY, PRESS FIT, EXTERNAL EMI SPRINGS WITH HEATSINK |
| 0 PLC ±0.25 | | PRODUCT SPEC: 108-2364 | |
| 1 PLC ±0.20 | | APPLICATION SPEC: 114-13120 | SIZE: A100779C=2170192 |
| 2 PLC ±0.15 | | WEIGHT: - | |
| 3 PLC ±0.1 | | Customer Drawing | SCALE: 4:1 |
| 4 PLC ±0.1 | | | SHEET: 3 OF 5 |
| ANGLES ±0.1 | | | REV: A |
| FINISH: #1* | | | |

| LOC | DIST | REV | DATE | BY | APPV |
|---------------|------|------|------|------|------|
| GP | 00 | | | | |
| REVISONS | | | | | |
| DESCRIPTION | | DATE | BY | APPV | |
| - SEE SHEET 1 | | - | - | - | |

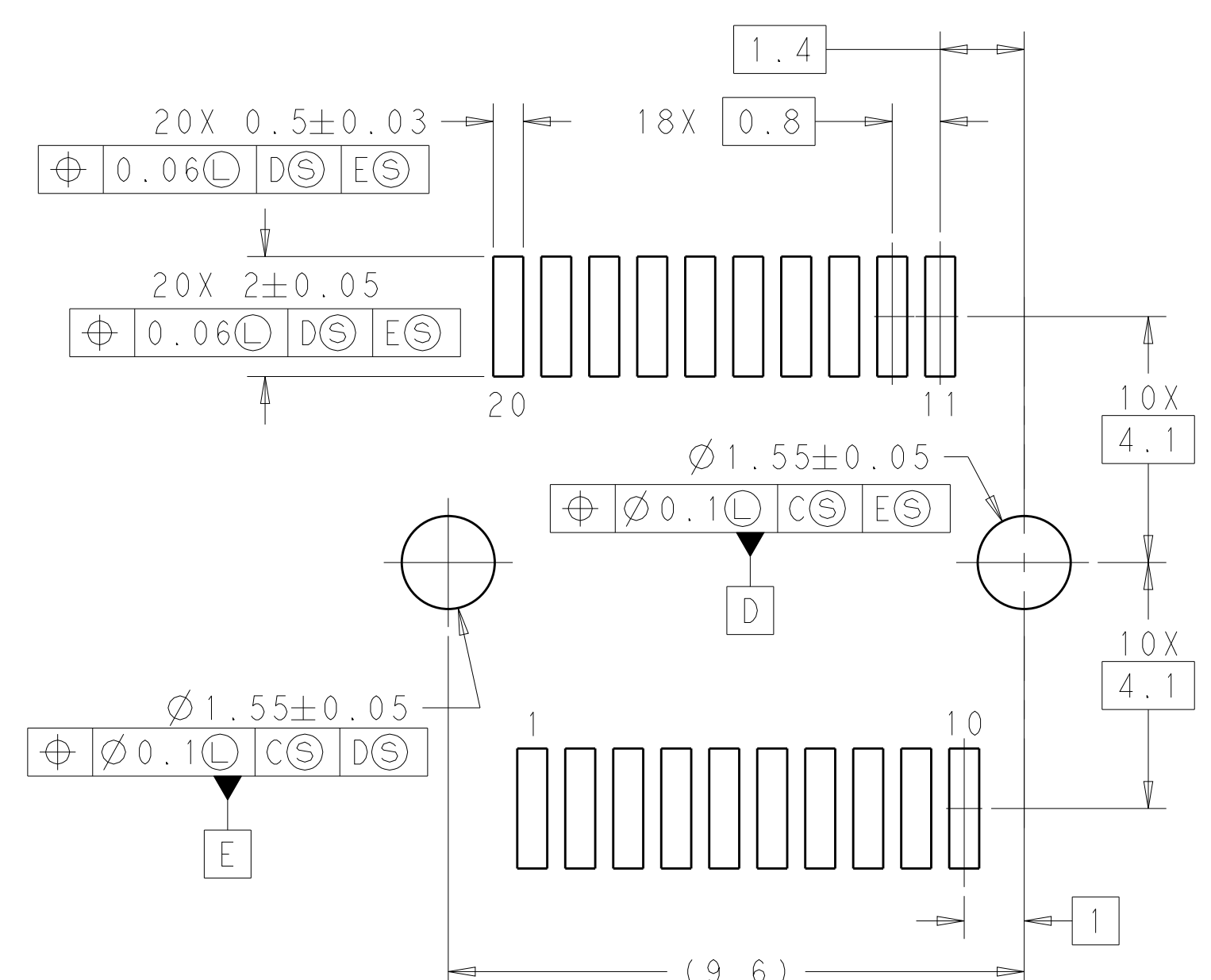
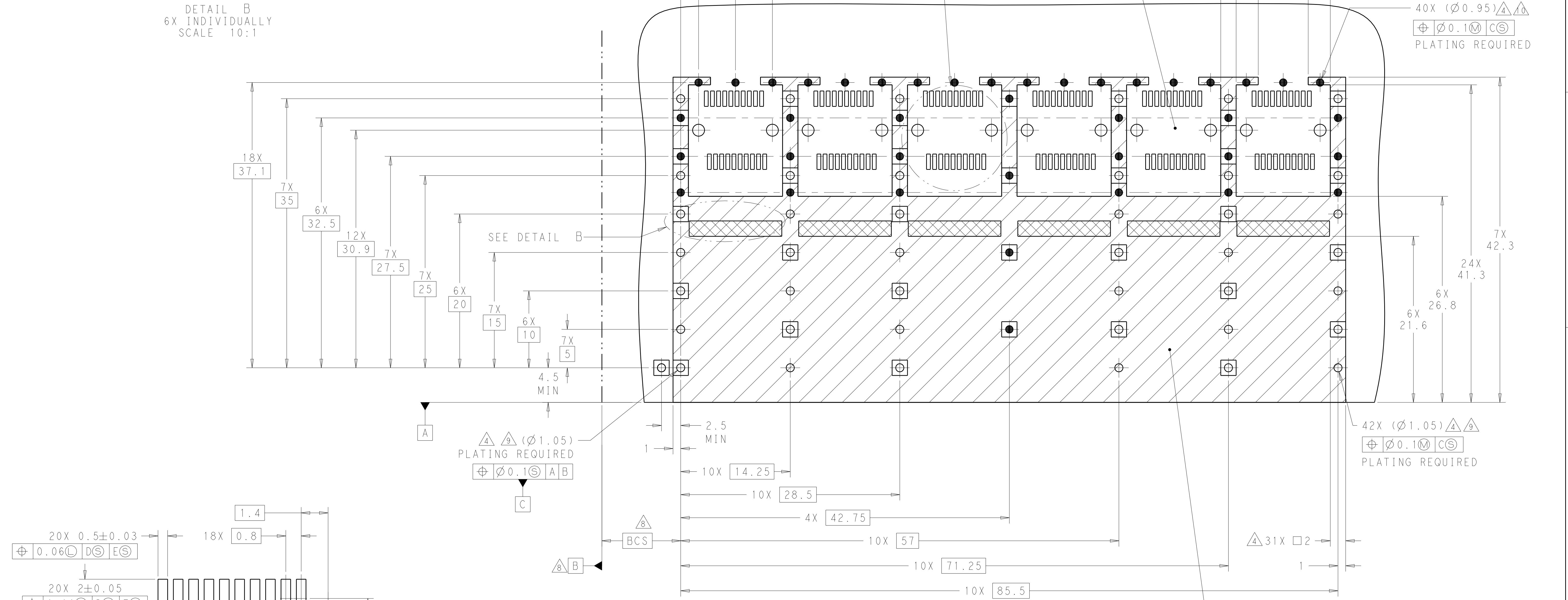


| | | | |
|--|-------|--------------------------|--|
| THIS DRAWING IS A CONTROLLED DOCUMENT. | | OWN: TIM XUE 22NOV2011 | STE TE Connectivity |
| DIMENSIONS: mm | | CHK: ALEX CAI 22NOV2011 | |
| TOLERANCES UNLESS OTHERWISE SPECIFIED: | | APPV: ALEX CAI 22NOV2011 | NAME: SFP+ ENHANCED 1X6 CAGE ASSEMBLY, PRESS FIT, EXTERNAL EMI SPRINGS WITH HEATSINK |
| 0 PLC | ±0.25 | PRODUCT SPEC | |
| 1 PLC | ±0.20 | 108-2364 | |
| 2 PLC | ±0.15 | APPLICATION SPEC | |
| 3 PLC | ±0.1 | 114-13120 | SIZE: CAGE CODE DRAWING NO. RESTRICTED TO |
| 4 PLC | ±0.1 | WEIGHT | A100779C=2170192 |
| ANGLES | ±1* | Customer Drawing | SCALE: 4:1 SHEET 4 OF 5 REV A |

| LOC | DIST | REV | DATE | APPD | REVISED |
|-----|------|-----|------|------|-------------|
| GP | 00 | | | | |
| | | | | | SEE SHEET 1 |



DETAIL B
6X INDIVIDUALLY
SCALE 10:1



DETAIL Y
RECOMMENDED PT CONNECTOR LAYOUT
12X INDIVIDUALLY
SCALE 10:1

RECOMMENDED PCB CONFIGURATION
WITH KEEP-OUT AREAS
BELLY TO BELLY APPLICATIONS
SCALE 4:1

| | | | |
|---|---------|--|--------------------|
| THIS DRAWING IS A CONTROLLED DOCUMENT. | | OWN: TIM XUE 22NOV2011 | TE Connectivity |
| DIMENSIONS: mm | | CHK: ALEX CAI 22NOV2011 | |
| TOLERANCES UNLESS OTHERWISE SPECIFIED: | | APPD: ALEX CAI 22NOV2011 | |
| 0 PLC ±0.25 1 PLC ±0.20 2 PLC ±0.15 3 PLC ±0.1 4 PLC ±0.1 ANGLES ±1° | | NAME: SFP+ ENHANCED 1X6 CAGE ASSEMBLY, PRESS FIT, EXTERNAL EMI SPRINGS WITH HEATSINK PRODUCT SPEC: 108-2364 APPLICATION SPEC: 114-13120 WEIGHT: - Customer Drawing | |
| MATERIAL: | FINISH: | SIZE: 114-13120 | RESTRICTED TO: - |
| | | SCALE: 4:1 | SHEET 5 OF 5 REV A |

Компания «Life Electronics» занимается поставками электронных компонентов импортного и отечественного производства от производителей и со складов крупных дистрибьюторов Европы, Америки и Азии.

С конца 2013 года компания активно расширяет линейку поставок компонентов по направлению коаксиальный кабель, кварцевые генераторы и конденсаторы (керамические, пленочные, электролитические), за счёт заключения дистрибьюторских договоров

Мы предлагаем:

- Конкурентоспособные цены и скидки постоянным клиентам.
- Специальные условия для постоянных клиентов.
- Подбор аналогов.
- Поставку компонентов в любых объемах, удовлетворяющих вашим потребностям.
- Приемлемые сроки поставки, возможна ускоренная поставка.
- Доставку товара в любую точку России и стран СНГ.
- Комплексную поставку.
- Работу по проектам и поставку образцов.
- Формирование склада под заказчика.
- Сертификаты соответствия на поставляемую продукцию (по желанию клиента).
- Тестирование поставляемой продукции.
- Поставку компонентов, требующих военную и космическую приемку.
- Входной контроль качества.
- Наличие сертификата ISO.

В составе нашей компании организован Конструкторский отдел, призванный помогать разработчикам, и инженерам.

Конструкторский отдел помогает осуществить:

- Регистрацию проекта у производителя компонентов.
- Техническую поддержку проекта.
- Защиту от снятия компонента с производства.
- Оценку стоимости проекта по компонентам.
- Изготовление тестовой платы монтаж и пусконаладочные работы.



Тел: +7 (812) 336 43 04 (многоканальный)
Email: org@lifeelectronics.ru