

## Power logic 8-bit shift register

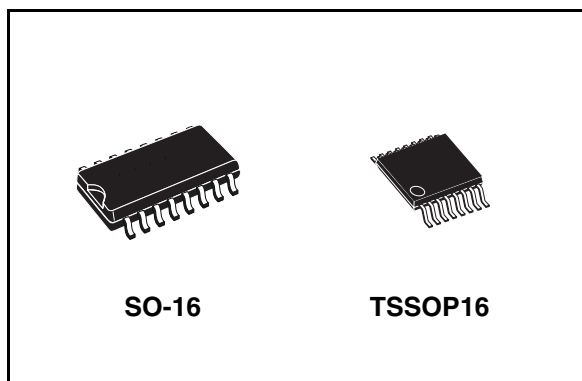
### Features

- Low  $R_{DS(on)}$ : 4  $\Omega$  typ
- 30 mJ avalanche energy
- Eight 100 mA DMOS outputs
- 250 mA current limit capability
- 33 V output clamp voltage
- Device are cascadable
- Low power consumption

### Description

This STPIC6C595 is a monolithic, medium-voltage, low current power 8-bit shift register designed for use in systems that require relatively moderate load power such as LEDs. The device contains a built-in voltage clamp on the outputs for inductive transient protection. Power driver applications include relays, solenoids, and other low-current or medium-voltage loads.

The device contains an 8-bit serial-in, parallel-out shift register that feeds an 8-bit D-type storage register. Data transfers through both the shift and storage register clock (SRCK) and the register clock ( $\overline{RCK}$ ), respectively. The device transfers data out the serial output (SER OUT) port on the rising edge of SRCK. The storage register transfers data to the output buffer when shift register clear (CLR) is high. When  $\overline{CLR}$  is low, the input shift register is cleared. When output enable ( $\overline{G}$ ) is held high, all data in the output buffer is held low and all drain output are off. When G is held low, data from the storage register is transparent to the output buffer.



When data in the output buffers is low, the DMOS transistor outputs are off. When data is high, the DMOS transistor outputs have sink-current capability. The SER OUT allows for cascading of the data from the shift register to additional devices.

Output are low-side, open-drain DMOS transistors with output ratings of 33 V and 100 mA continuous sink-current capability. Each output provides a 250 mA maximum current limit at  $T_C = 25\text{ }^\circ\text{C}$ . The current limit decreases as the junction temperature increases for additional device protection. The device also provides up to 1.5 kV of ESD protection when tested using the human-body model and 150 V machine model.

The STPIC6C595 is characterized for operation over the operating case temperature range of  $-40\text{ }^\circ\text{C}$  to  $125\text{ }^\circ\text{C}$ .

**Table 1. Device summary**

| Order codes   | Package                 | Packaging           |
|---------------|-------------------------|---------------------|
| STPIC6C595MTR | SO-16 (Tape and reel)   | 2500 parts per reel |
| STPIC6C595TTR | TSSOP16 (Tape and reel) | 2500 parts per reel |

# Contents

- 1      Logic symbol and pin configuration ..... 3**
- 2      Maximum rating ..... 4**
  - 2.1    Absolute maximum ratings ..... 4
  - 2.2    Thermal data ..... 5
  - 2.3    Recommended operating conditions ..... 5
- 3      Electrical characteristics ..... 6**
  - 3.1    DC characteristics ..... 6
  - 3.2    Switching characteristics ..... 7
- 4      Logic diagram ..... 8**
- 5      Typical operating circuit ..... 9**
- 6      Typical performance and characteristics ..... 13**
- 7      Package mechanical data ..... 16**
- 8      Revision history ..... 21**

# 1 Logic symbol and pin configuration

Figure 1. Logic symbol and pin configuration

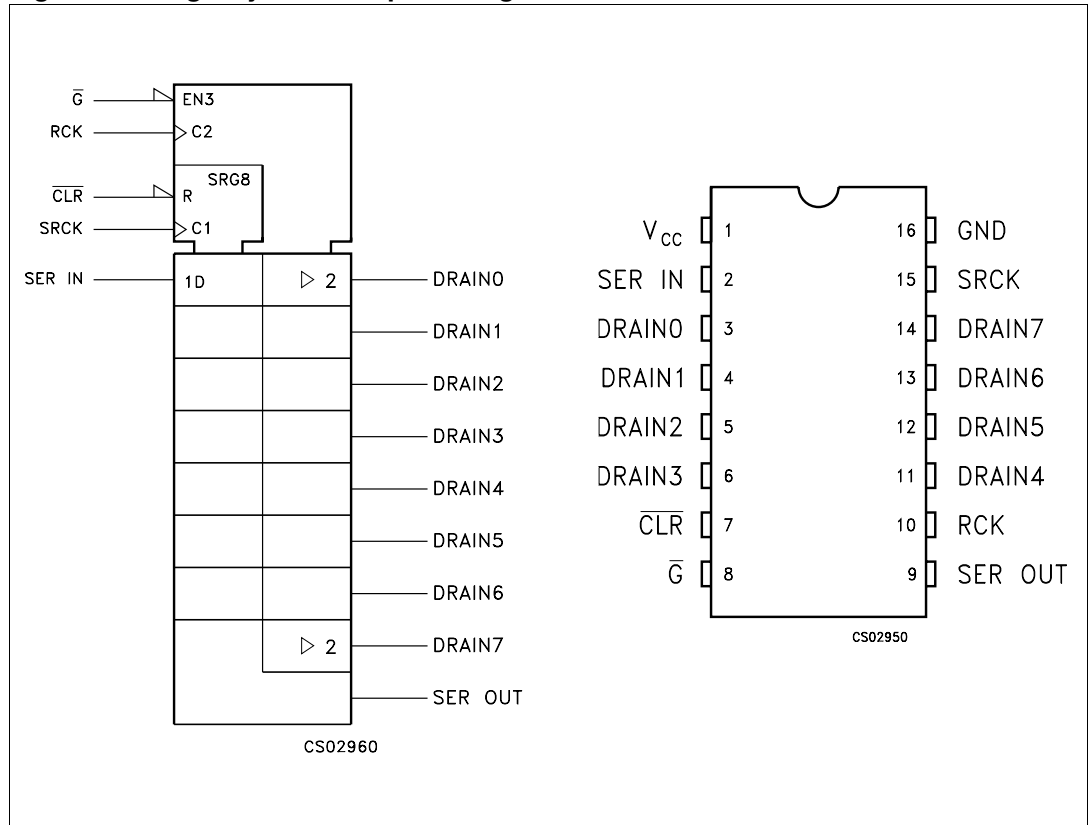
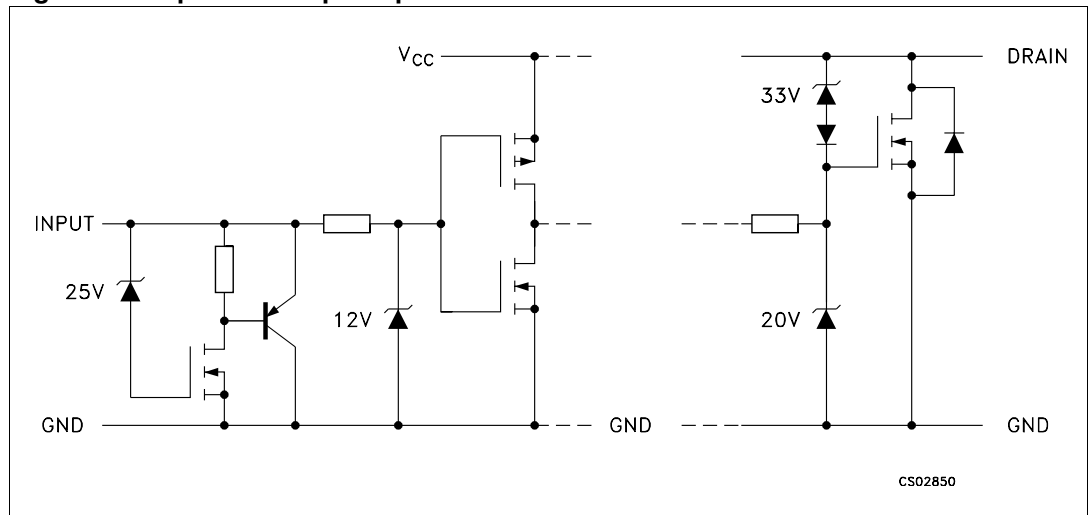


Figure 2. Input and output equivalent circuits



## 2 Maximum rating

Stressing the device above the rating listed in the “absolute maximum ratings” table may cause permanent damage to the device. These are stress ratings only and operation of the device at these or any other conditions above those indicated in the operating sections of this specification is not implied. Exposure to absolute maximum rating conditions for extended periods may affect device reliability.

### 2.1 Absolute maximum ratings

**Table 2. Absolute maximum ratings**

| Symbol    | Parameter  | Value       | Unit |
|-----------|--|-------------|------|
| $V_{CC}$  | Logic supply voltage (See <a href="#">Note 1</a> )   | 7           | V    |
| $V_I$     | Logic input voltage range  | -0.3 to 7   | V    |
| $V_{DS}$  | Power DMOS drain to source voltage (See <a href="#">Note 2</a> )                             | 33          | V    |
| $I_{DS}$  | Continuous source to drain diode anode current   | 250         | mA   |
| $I_{DS}$  | Pulsed source to drain diode anode current (See <a href="#">Note 3</a> )                     | 500         | mA   |
| $I_D$     | Pulsed drain current, each output, all output ON ( $T_C = 25\text{ °C}$ )                    | 250         | mA   |
| $I_D$     | Continuous current, each output, all output ON ( $T_C = 25\text{ °C}$ )                      | 100         | mA   |
| $I_D$     | Peak drain current single output ( $T_C = 25\text{ °C}$ ) (See <a href="#">Note 3</a> )      | 250         | mA   |
| $E_{AS}$  | Single pulse avalanche energy (See <a href="#">Figure 11</a> and <a href="#">Figure 12</a> ) | 30          | mJ   |
| $I_{AS}$  | Avalanche current (See <a href="#">Note 4</a> and <a href="#">Figure 17</a> )                | 200         | mA   |
| $P_d$     | Continuous total dissipation ( $T_C \leq 25\text{ °C}$ )                                     | 1087        | mW   |
| $P_d$     | Continuous total dissipation ( $T_C = 125\text{ °C}$ )                                       | 217         | mW   |
| $T_J$     | Operating virtual junction temperature range   | -40 to +150 | °C   |
| $T_C$     | Operating case temperature range   | -40 to +125 | °C   |
| $T_{stg}$ | Storage temperature range  | -65 to +150 | °C   |
| $T_L$     | Lead temperature 1.6 mm (1/16 inch) from case for 10 seconds                                 | 260         | °C   |

## 2.2 Thermal data

Table 3. Thermal data

| Symbol       | Parameter                           | Value | Unit |
|--------------|-------------------------------------|-------|------|
| $R_{th(JA)}$ | Thermal resistance junction-ambient | 115   | °C/W |

## 2.3 Recommended operating conditions

Table 4. Recommended operating conditions

| Symbol   | Parameter  | Min          | Typ | Max          | Unit |
|----------|--|--------------|-----|--------------|------|
| $V_{CC}$ | Logic supply voltage   | 4.5          |     | 5.5          | V    |
| $V_{IH}$ | High level input voltage   | $0.85V_{CC}$ |     | $V_{CC}$     | V    |
| $V_{IL}$ | Low level input voltage  | 0            |     | $0.15V_{CC}$ | V    |
| $I_{DP}$ | Pulse drain output current<br>( $T_C = 25\text{ °C}$ , $V_{CC} = 5\text{ V}$ , all outputs ON)<br>(see <a href="#">Note 3</a> , <a href="#">Note 5</a> and <a href="#">Figure 15</a> ) |              |     | 250          | mA   |
| $t_{su}$ | Set-up time, SER IN high before SRCK $\uparrow$<br>(see <a href="#">Figure 4</a> and <a href="#">Figure 8</a> )  | 1.6          | 3.0 | 5.7          | ns   |
| $t_{hL}$ | Hold time, SER IN high before $\overline{G}$ $\uparrow$<br>(see <a href="#">Figure 4</a> , <a href="#">Figure 7</a> , <a href="#">Figure 8</a> )                                       | 2.8          | 4.0 | 9.6          | ns   |
| $t_W$    | Pulse duration (see <a href="#">Figure 8</a> )   | 40           |     |              | ns   |
| $T_C$    | Operating case temperature   | -40          |     | 125          | °C   |

### 3 Electrical characteristics

#### 3.1 DC characteristics

**Table 5. DC characteristics** ( $V_{CC} = 5\text{ V}$ ,  $T_C = 25\text{ }^\circ\text{C}$ , unless otherwise specified.)

| Symbol        | Parameter   | Test conditions  | Min | Typ   | Max | Unit          |
|---------------|---|--|-----|-------|-----|---------------|
| $V_{(BR)DSX}$ | Drain-to-source breakdown voltage   | $I_D = 1\text{ mA}$  | 33  | 37    |     | V             |
| $V_{SD}$      | Source-to-drain diode forward voltage   | $I_F = 100\text{ mA}$  |     | 0.85  | 1.2 | V             |
| $V_{OH}$      | High level output voltage SER OUT   | $I_{OH} = -20\text{ }\mu\text{A}$ , $V_{CC} = 4.5\text{ V}$  | 4.4 | 4.49  |     | V             |
|               |   | $I_{OH} = -4\text{ mA}$ , $V_{CC} = 4.5\text{ V}$  | 4   | 4.2   |     | V             |
| $V_{OL}$      | Low level output voltage SER OUT  | $I_{OH} = 20\text{ }\mu\text{A}$ , $V_{CC} = 4.5\text{ V}$   |     | 0.005 | 0.1 | V             |
|               |   | $I_{OH} = 4\text{ mA}$ , $V_{CC} = 4.5\text{ V}$   |     | 0.3   | 0.5 | V             |
| $I_{IH}$      | High level input current  | $V_{CC} = 5.5\text{ V}$ , $V_I = V_{CC}$   |     |       | 1   | $\mu\text{A}$ |
| $I_{IL}$      | Low level input current   | $V_{CC} = 5.5\text{ V}$ , $V_I = 0$  |     |       | -1  | $\mu\text{A}$ |
| $I_{CC}$      | Logic supply current  | $V_{CC} = 5.5\text{ V}$ , all outputs OFF or ON  |     | 20    | 200 | $\mu\text{A}$ |
| $I_{CC(FRQ)}$ | Logic supply current at frequency   | $f_{SRCK} = 5\text{ MHz}$ , $C_L = 30\text{ pF}$<br>All outputs OFF<br>(See <a href="#">Figure 6</a> , <a href="#">Figure 18</a> and <a href="#">Figure 19</a> ) |     | 0.2   | 2   | mA            |
| $I_N$         | Nominal current   | $V_{DS(on)} = 0.5 V$ , $I_N = I_D$<br>$T_C = 85\text{ }^\circ\text{C}$<br>(See <a href="#">Note 5</a> , <a href="#">Note 6</a> , <a href="#">Note 7</a> )        |     | 90    |     | mA            |
| $I_{DSX}$     | Off-state drain current   | $V_{DS} = 30\text{ V}$ , $V_{CC} = 5.5\text{ V}$   |     | 0.3   | 5   | $\mu\text{A}$ |
|               |   | $V_{DS} = 30\text{ V}$ , $V_{CC} = 5.5\text{ V}$ or $0\text{ V}$<br>$T_C = 125\text{ }^\circ\text{C}$  |     | 0.6   | 8   | $\mu\text{A}$ |
| $R_{DS(on)}$  | Static drain source on state resistance<br>(See <a href="#">Note 5</a> , <a href="#">Note 6</a> and <a href="#">Figure 14</a> , <a href="#">Figure 16</a> ) | $I_D = 50\text{ mA}$ , $V_{CC} = 4.5\text{ V}$   |     | 4.5   | 6   | $\Omega$      |
|               |   | $I_D = 50\text{ mA}$ , $V_{CC} = 4.5\text{ V}$<br>$T_C = 125\text{ }^\circ\text{C}$  |     | 6.5   | 9   | $\Omega$      |
|               |   | $I_D = 100\text{ mA}$ , $V_{CC} = 4.5\text{ V}$  |     | 4.5   | 6   | $\Omega$      |

## 3.2 Switching characteristics

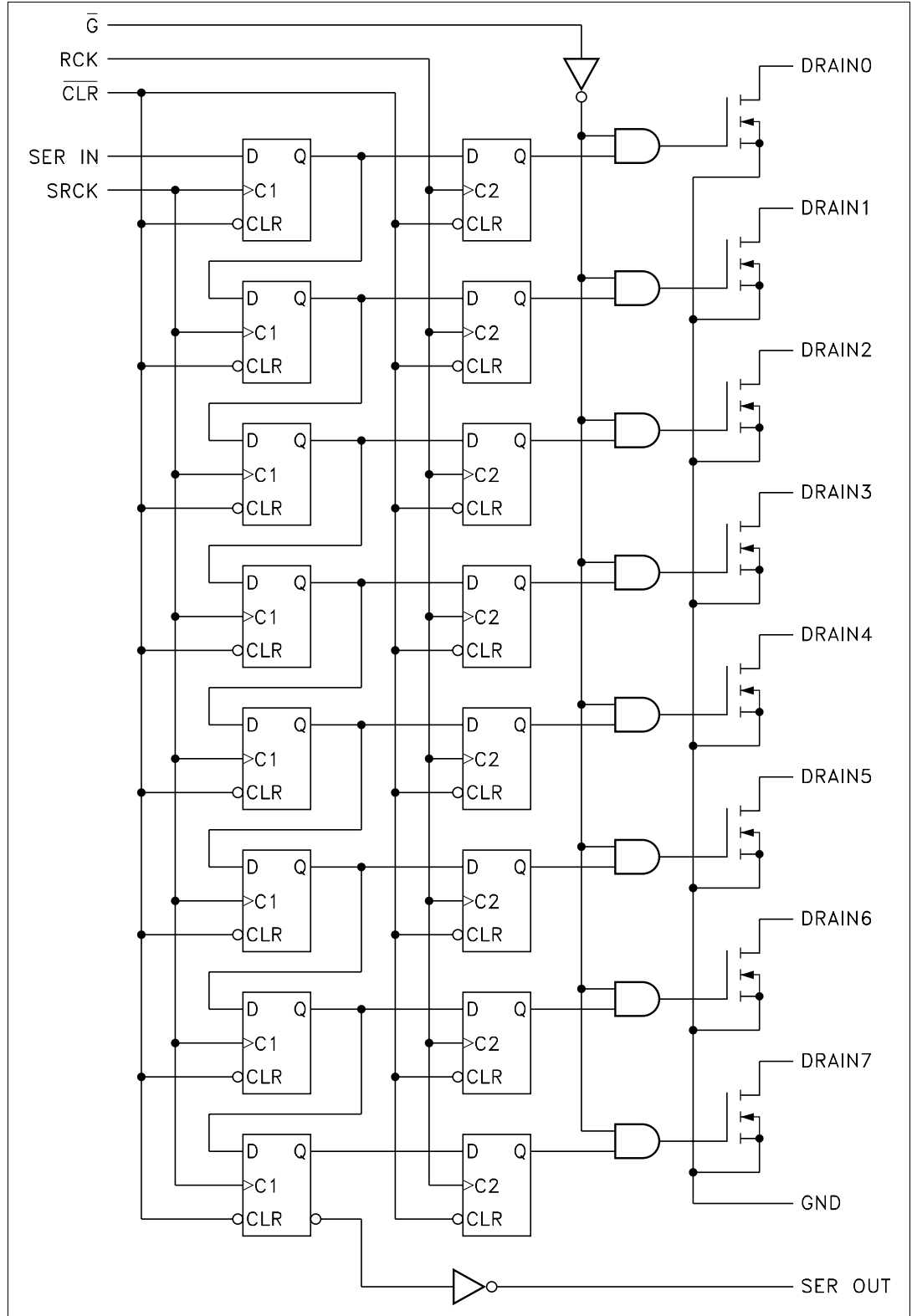
**Table 6. Switching characteristics** ( $V_{CC} = 5\text{ V}$ ,  $T_C = 25\text{ °C}$ , unless otherwise specified.)

| Symbol    | Parameter  | Test conditions  | Min | Typ | Max | Unit |
|-----------|--|--|-----|-----|-----|------|
| $t_{PHL}$ | Propagation delay time, high to low level output from $\overline{G}$ | $C_L = 30\text{ pF}$ , $I_D = 75\text{ mA}$<br>(See <a href="#">Figure 4</a> , <a href="#">Figure 5</a> ,<br><a href="#">Figure 6</a> , <a href="#">Figure 7</a> , <a href="#">Figure 20</a> ) |     | 80  |     | ns   |
| $t_{PLH}$ | Propagation delay time, low to high level output from $\overline{G}$ |  |     | 130 |     | ns   |
| $t_r$     | Rise time, drain output  |  |     | 60  |     | ns   |
| $t_f$     | Fall time, drain output  |  |     | 50  |     | ns   |
| $t_{pd}$  | propagation delay time   |  |     | 20  |     | ns   |
| $t_a$     | Reverse recovery current rise time                                   | $I_F = 100\text{ mA}$ , $di/dt = 10\text{ A}/\mu\text{s}$<br>(See <a href="#">Figure 5</a> , <a href="#">Figure 6</a> , and<br><a href="#">Figure 9</a> , <a href="#">Figure 10</a> )          |     | 39  |     | ns   |
| $t_{rr}$  | Reverse recovery time  |  |     | 115 |     | ns   |

- Note:
- 1 All voltage value are with respect to GND
  - 2 Each power DMOS source is internally connected to GND
  - 3 Pulse duration  $\leq 100\text{ }\mu\text{s}$  and duty cycle  $\leq 2\%$
  - 4 Drain supply voltage = 15 V, starting junction temperature ( $T_{JS}$ ) = 25 °C.  $L = 1.5\text{ H}$  and  $I_{AS} = 200\text{ mA}$  (see Fig. 11 and 12)
  - 5 Technique should limit  $T_J - T_C$  to 10 °C maximum
  - 6 These parameters are measured with voltage sensing contacts separate from the current-carrying contacts.
  - 7 Nominal current is defined for a consistent comparison between devices from different sources. It is the current that produces a voltage drop of 0.5 V at  $T_C = 85\text{ °C}$ .

# 4 Logic diagram

Figure 3. Logic diagram





## 5 Typical operating circuit

Figure 4. Typical operation mode test circuits

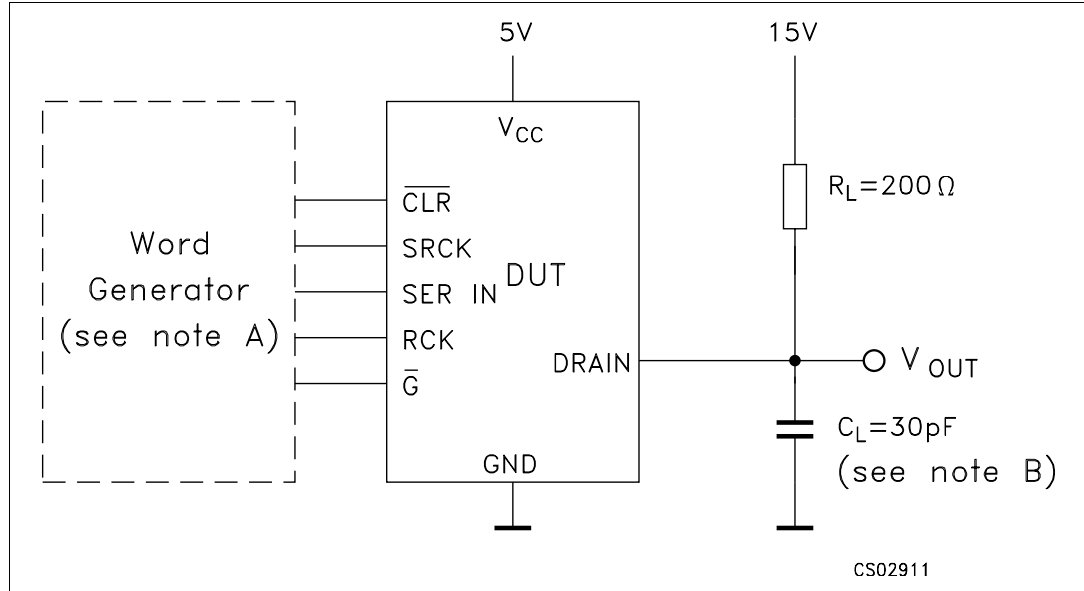
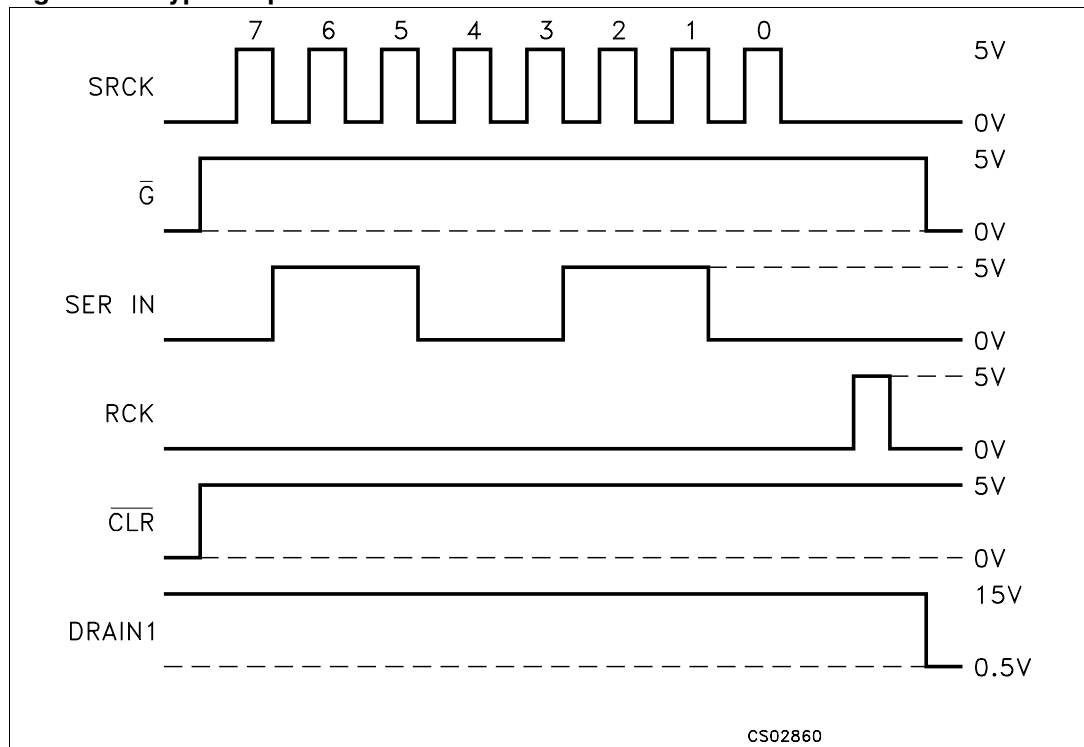


Figure 5. Typical operation mode waveforms



- Note: 1 A) The word generator has the following characteristics:  $t_r \leq 10\text{ ns}$ ,  $t_f \leq 10\text{ ns}$ ,  $t_W = 300\text{ ns}$ , pulse repetition rate (PRR) = 5 kHz,  $Z_O = 50\ \Omega$   
 2 B)  $C_L$  includes probe and jig capacitance.

Figure 6. Typical operation mode test circuits

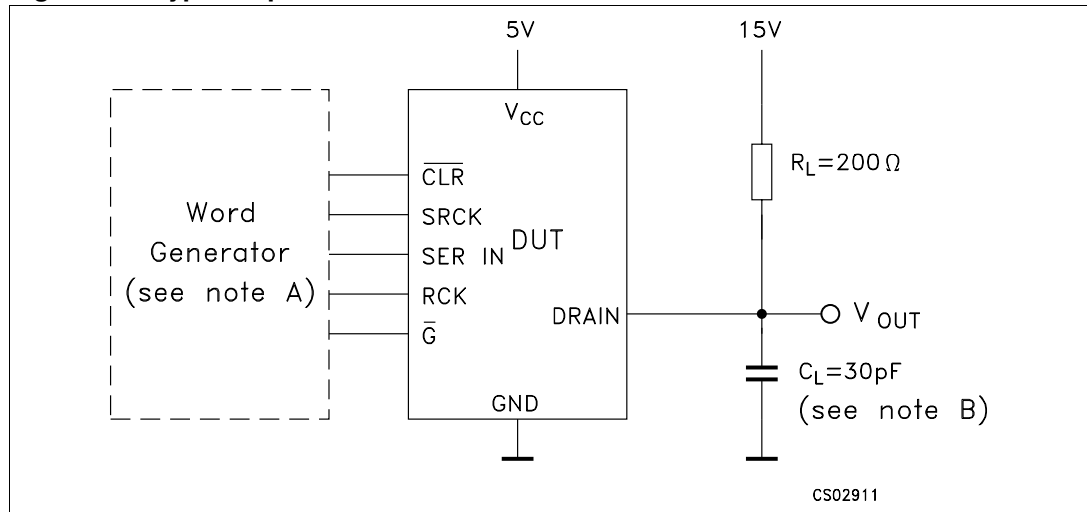


Figure 7. Switching time waveform

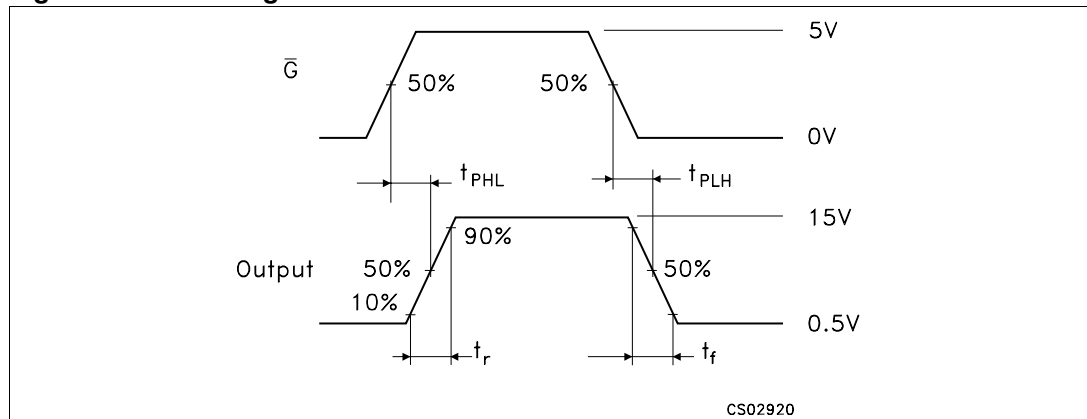
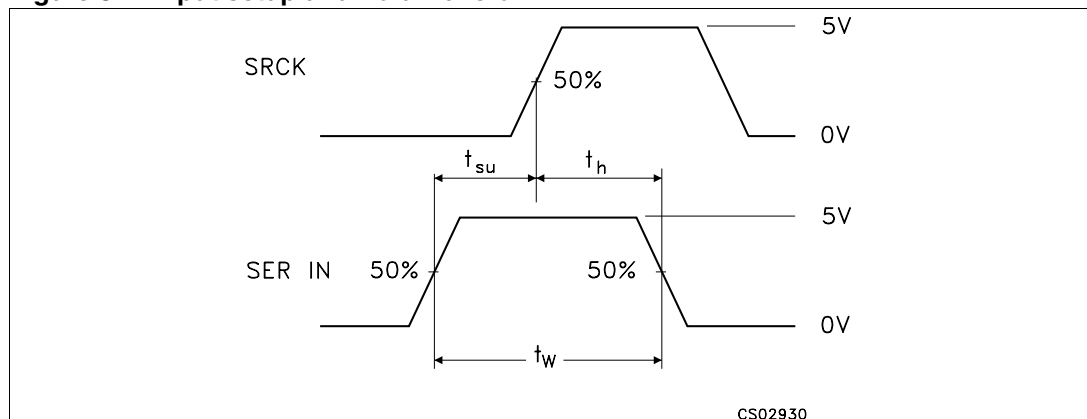


Figure 8. Input setup and hold waveform



- Note: 1 A) The word generator has the following characteristics:  $t_r \leq 10 \text{ ns}$ ,  $t_f \leq 10 \text{ ns}$ ,  $t_W = 300 \text{ ns}$ , pulse repetition rate (PRR) = 5 kHz,  $Z_O = 50 \Omega$
- 2 B)  $C_L$  includes probe and jig capacitance.

Figure 9. Reverse recovery current test circuits

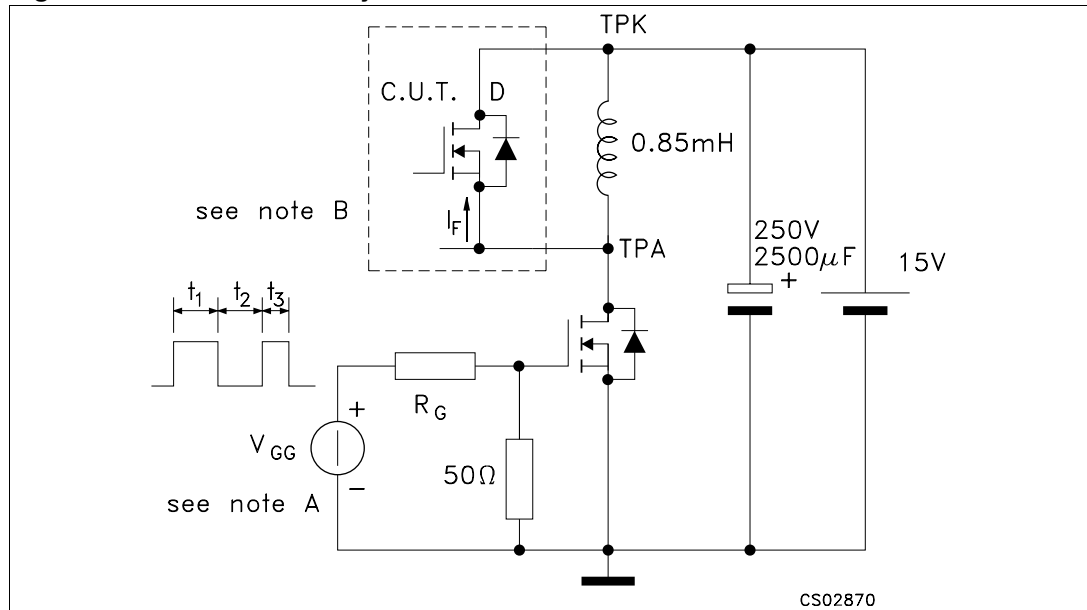
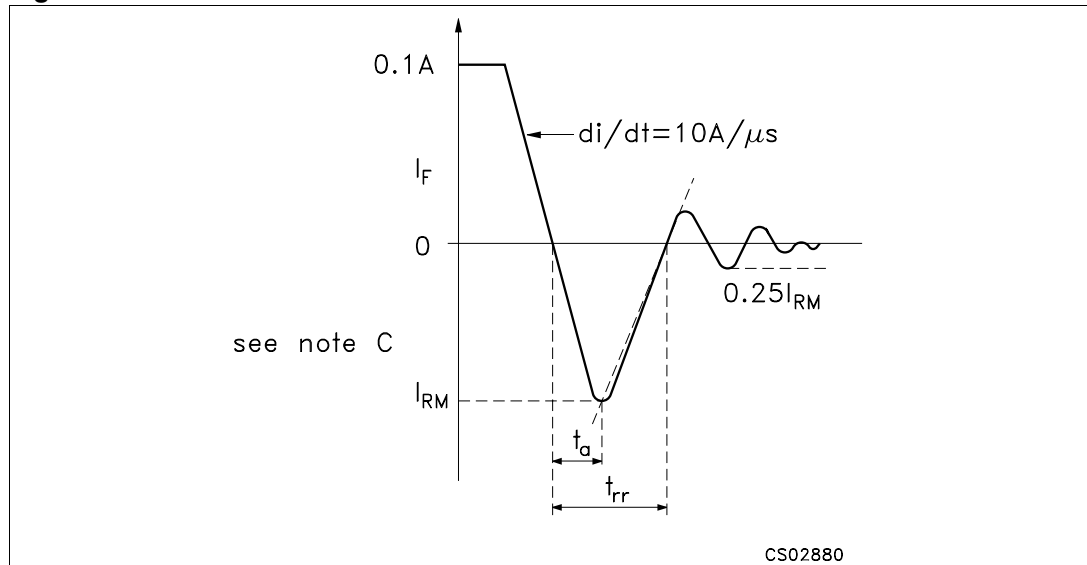


Figure 10. Source drain diode waveform



- Note:
- 1 A) The  $V_{GG}$  amplitude and  $R_G$  are adjusted for  $di/dt = 10 A/\mu s$ . A  $V_{GG}$  double-pulse train is used to set  $I_F = 0.1 A$ , where  $t_1 = 10 \mu s$ ,  $t_2 = 7 \mu s$  and  $t_3 = 3 \mu s$
  - 2 B) The drain terminal under test is connected to the TPK test point. All other terminals are connected together and connected to the TPA test point.
  - 3 C)  $I_{RM}$  = maximum recovery current.

Figure 11. Single pulse avalanche energy test circuits

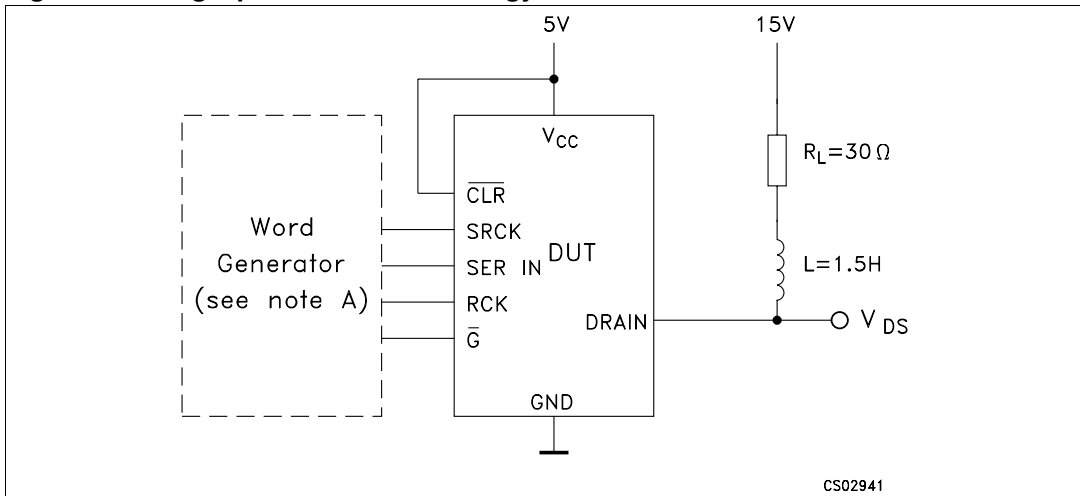
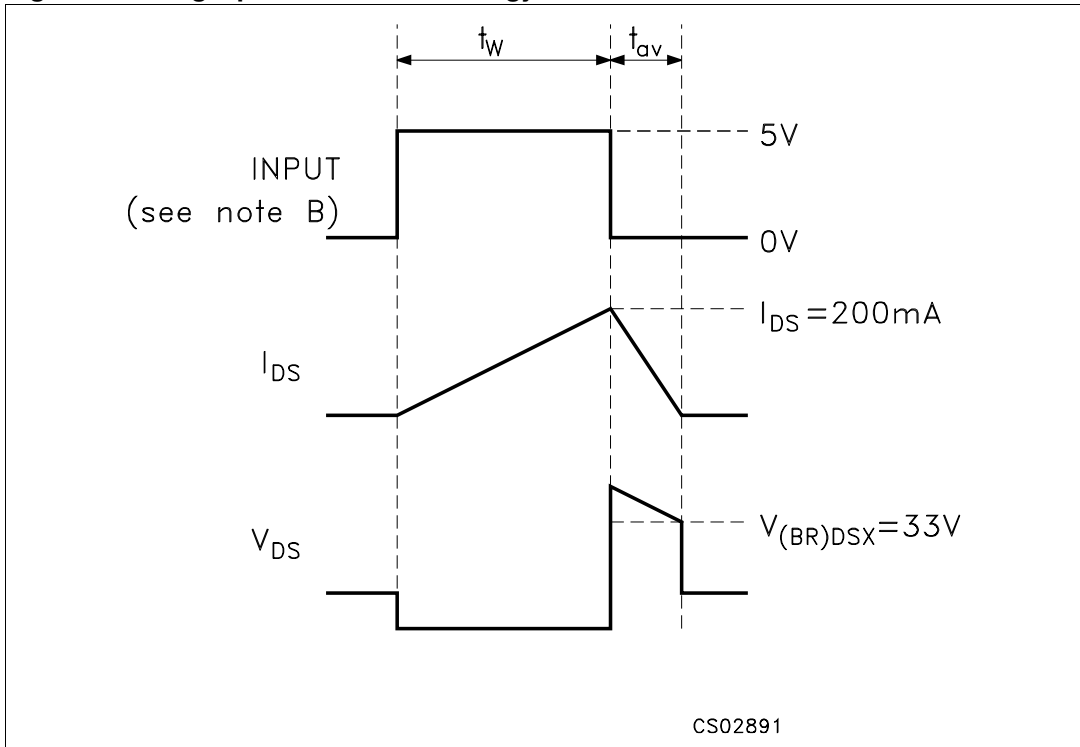


Figure 12. Single pulse avalanche energy waveform

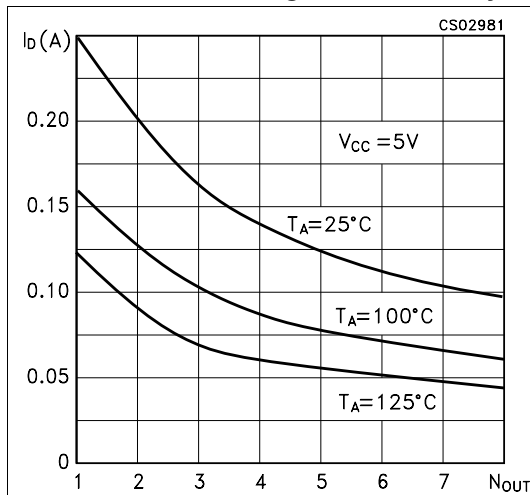


- Note: 1 A) The word generator has the following characteristics:  $t_r \leq 10 \text{ ns}$ ,  $t_f \leq 10 \text{ ns}$ ,  $Z_O = 50 \Omega$   
 2 B) Input pulse duration,  $t_W$  is increased until peak current  $I_{AS} = 200 \text{ mA}$ . Energy test level is defined as  $E_{AS} = (I_{AS} \times V_{(BR)DSX} \times t_{AV})/2 = 30 \text{ mJ}$ .

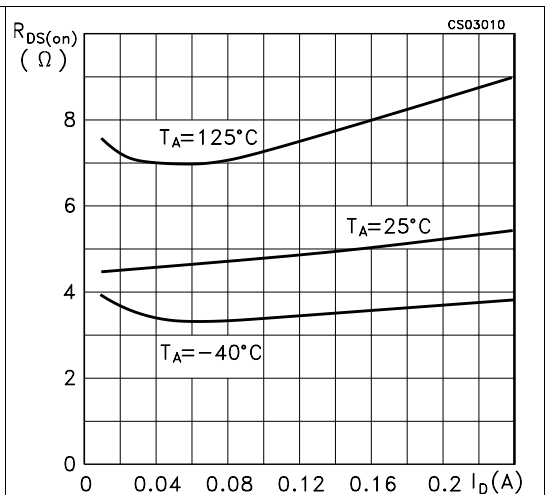
## 6 Typical performance and characteristics

(unless otherwise specified  $T_J = 25\text{ }^\circ\text{C}$ )

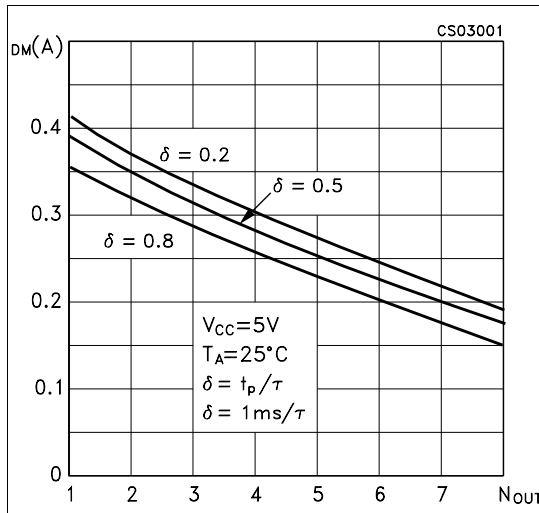
**Figure 13. Max continuous drain current vs number of outputs conducting simultaneously**



**Figure 14. Static drain-source on-state resistance vs drain current**



**Figure 15. Maximum peak drain current vs number of outputs conducting simultaneously**



**Figure 16. Static drain-source on-state resistance vs logic supply voltage**

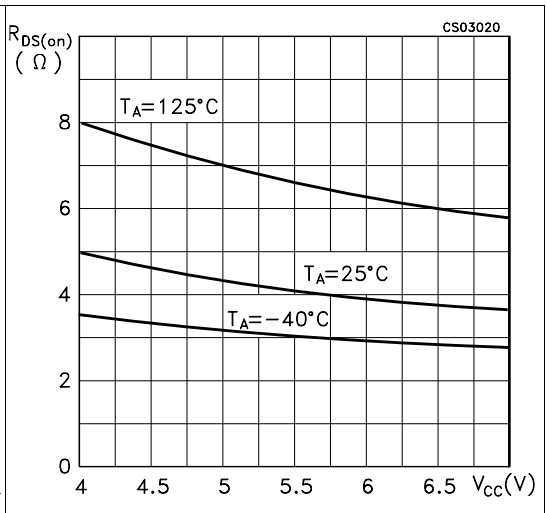


Figure 17. Peak avalanche current vs time duration of avalanche

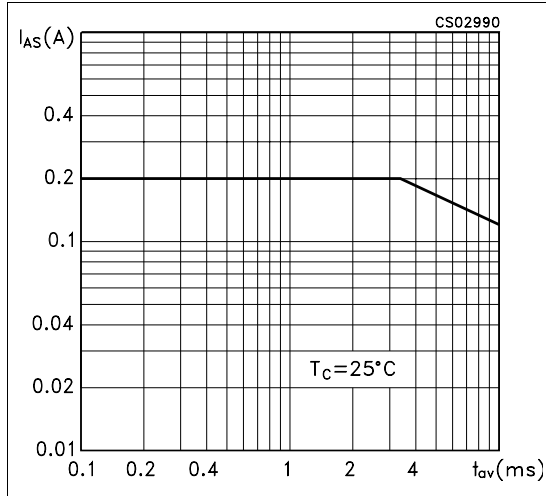


Figure 18. Supply current vs frequency

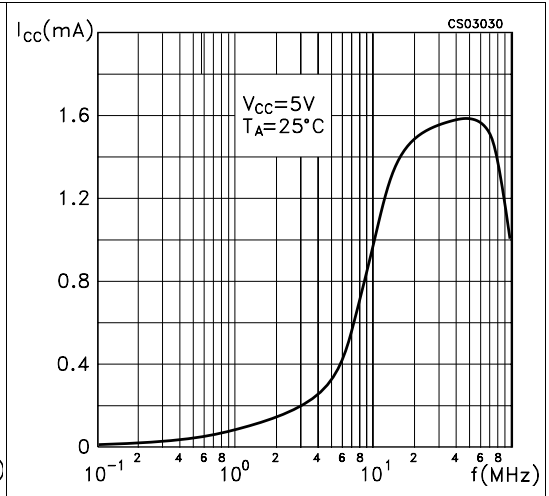


Figure 19. Supply current vs supply voltage

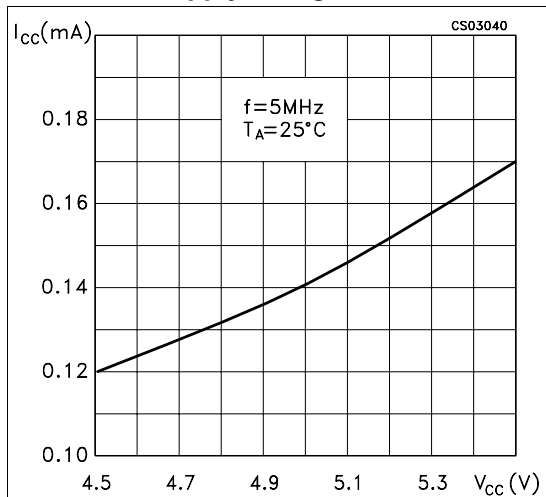


Figure 20. Switching time vs case temperature

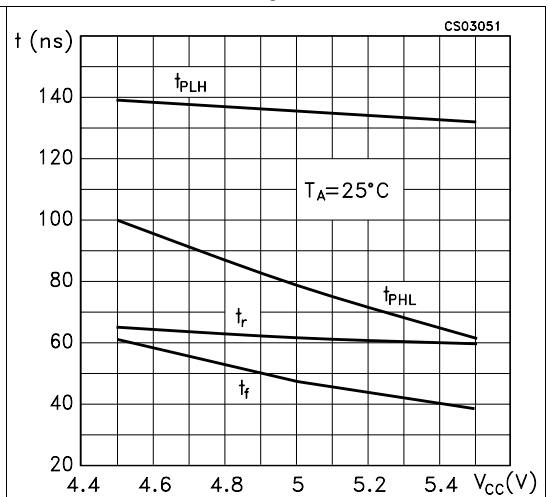
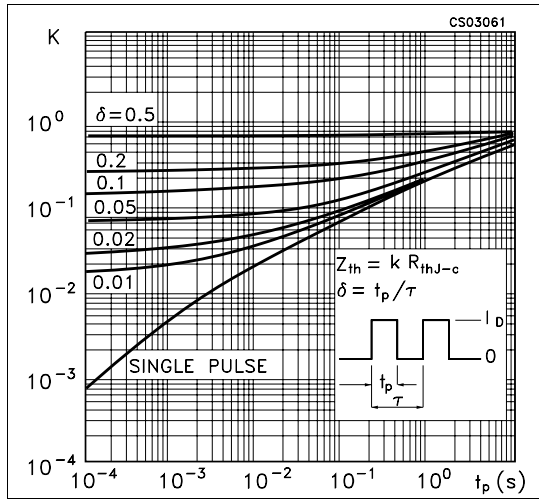


Figure 21. Normalized junction to ambient thermal resistance



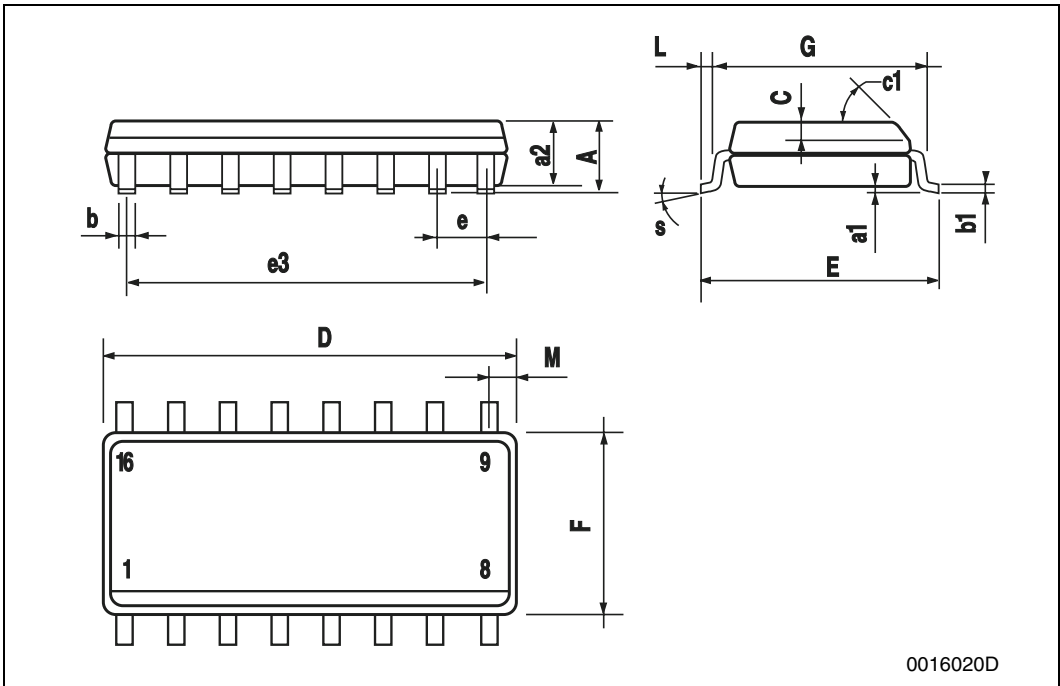
## 7 Package mechanical data

In order to meet environmental requirements, ST offers these devices in different grades of ECOPACK® packages, depending on their level of environmental compliance. ECOPACK® specifications, grade definitions and product status are available at: [www.st.com](http://www.st.com). ECOPACK® is an ST trademark.



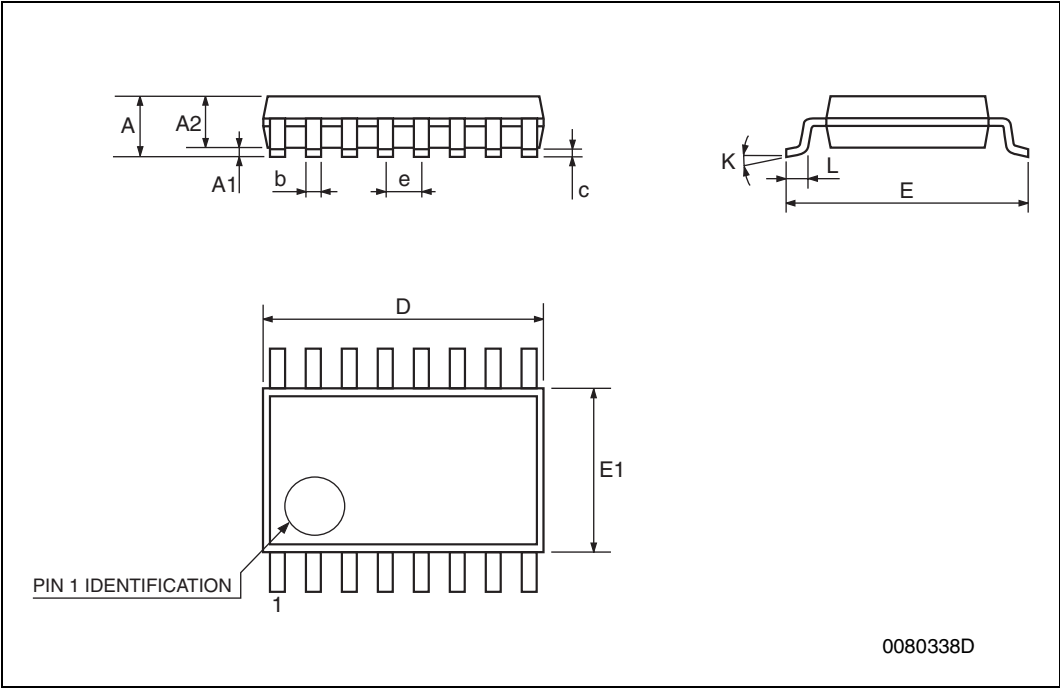
**SO-16 MECHANICAL DATA**

| DIM. | mm.        |      |      | inch  |       |       |
|------|------------|------|------|-------|-------|-------|
|      | MIN.       | TYP  | MAX. | MIN.  | TYP.  | MAX.  |
| A    |            |      | 1.75 |       |       | 0.068 |
| a1   | 0.1        |      | 0.25 | 0.004 |       | 0.010 |
| a2   |            |      | 1.64 |       |       | 0.063 |
| b    | 0.35       |      | 0.46 | 0.013 |       | 0.018 |
| b1   | 0.19       |      | 0.25 | 0.007 |       | 0.010 |
| C    |            | 0.5  |      |       | 0.019 |       |
| c1   | 45° (typ.) |      |      |       |       |       |
| D    | 9.8        |      | 10   | 0.385 |       | 0.393 |
| E    | 5.8        |      | 6.2  | 0.228 |       | 0.244 |
| e    |            | 1.27 |      |       | 0.050 |       |
| e3   |            | 8.89 |      |       | 0.350 |       |
| F    | 3.8        |      | 4.0  | 0.149 |       | 0.157 |
| G    | 4.6        |      | 5.3  | 0.181 |       | 0.208 |
| L    | 0.5        |      | 1.27 | 0.019 |       | 0.050 |
| M    |            |      | 0.62 |       |       | 0.024 |
| S    | 8° (max.)  |      |      |       |       |       |



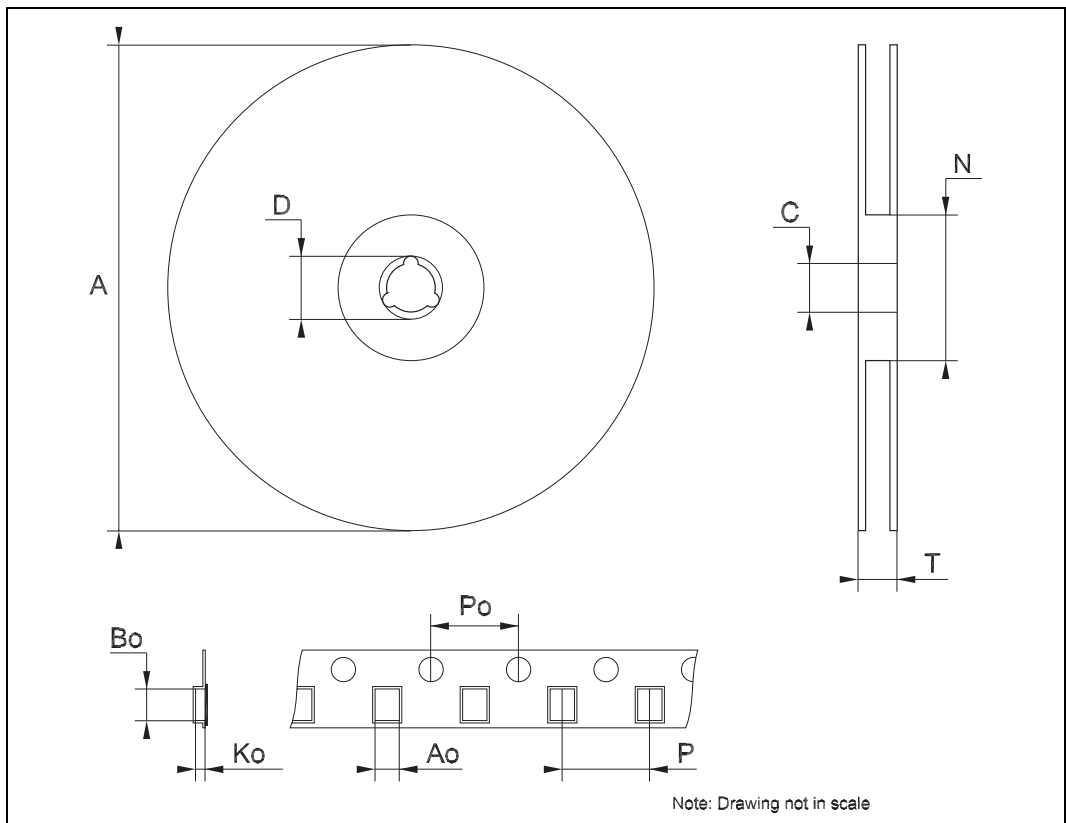
**TSSOP16 MECHANICAL DATA**

| DIM. | mm.  |          |      | inch  |            |        |
|------|------|----------|------|-------|------------|--------|
|      | MIN. | TYP      | MAX. | MIN.  | TYP.       | MAX.   |
| A    |      |          | 1.2  |       |            | 0.047  |
| A1   | 0.05 |          | 0.15 | 0.002 | 0.004      | 0.006  |
| A2   | 0.8  | 1        | 1.05 | 0.031 | 0.039      | 0.041  |
| b    | 0.19 |          | 0.30 | 0.007 |            | 0.012  |
| c    | 0.09 |          | 0.20 | 0.004 |            | 0.0079 |
| D    | 4.9  | 5        | 5.1  | 0.193 | 0.197      | 0.201  |
| E    | 6.2  | 6.4      | 6.6  | 0.244 | 0.252      | 0.260  |
| E1   | 4.3  | 4.4      | 4.48 | 0.169 | 0.173      | 0.176  |
| e    |      | 0.65 BSC |      |       | 0.0256 BSC |        |
| K    | 0°   |          | 8°   | 0°    |            | 8°     |
| L    | 0.45 | 0.60     | 0.75 | 0.018 | 0.024      | 0.030  |



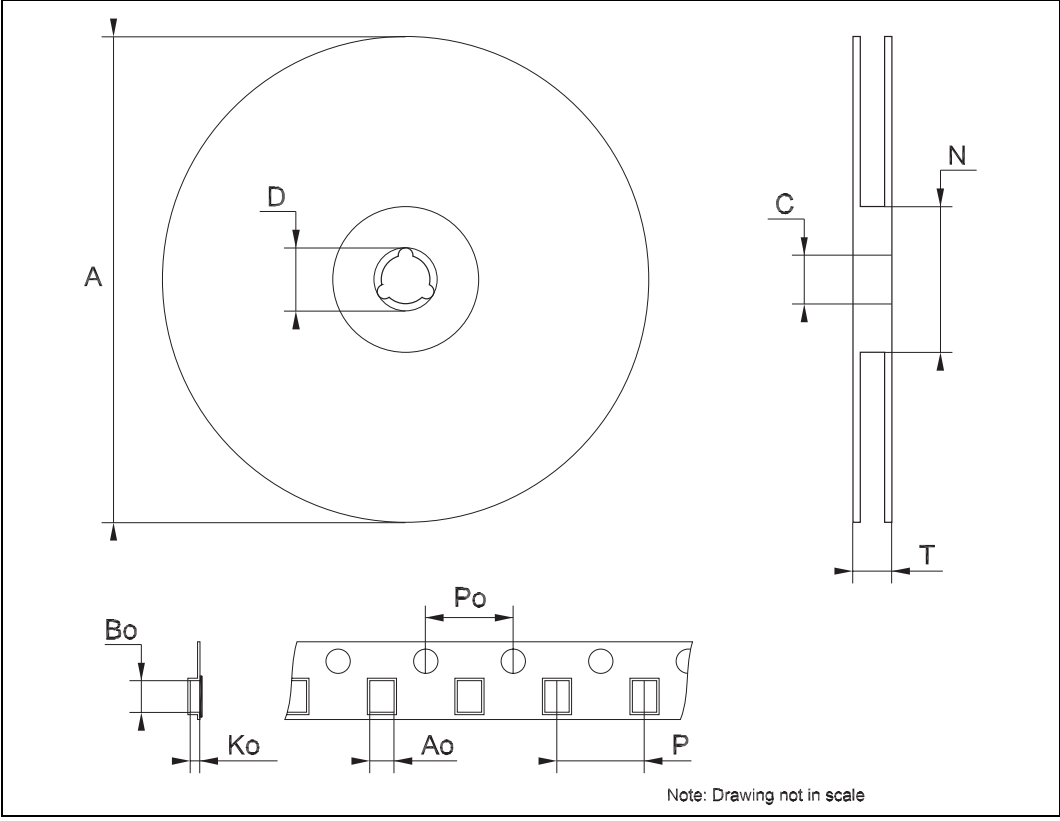
**Tape & Reel SO-16 MECHANICAL DATA**

| DIM. | mm.  |     |      | inch  |      |        |
|------|------|-----|------|-------|------|--------|
|      | MIN. | TYP | MAX. | MIN.  | TYP. | MAX.   |
| A    |      |     | 330  |       |      | 12.992 |
| C    | 12.8 |     | 13.2 | 0.504 |      | 0.519  |
| D    | 20.2 |     |      | 0.795 |      |        |
| N    | 60   |     |      | 2.362 |      |        |
| T    |      |     | 22.4 |       |      | 0.882  |
| Ao   | 6.45 |     | 6.65 | 0.254 |      | 0.262  |
| Bo   | 10.3 |     | 10.5 | 0.406 |      | 0.414  |
| Ko   | 2.1  |     | 2.3  | 0.082 |      | 0.090  |
| Po   | 3.9  |     | 4.1  | 0.153 |      | 0.161  |
| P    | 7.9  |     | 8.1  | 0.311 |      | 0.319  |



**Tape & Reel TSSOP16 MECHANICAL DATA**

| DIM. | mm.  |      |      | inch  |      |        |
|------|------|------|------|-------|------|--------|
|      | MIN. | TYP. | MAX. | MIN.  | TYP. | MAX.   |
| A    |      |      | 330  |       |      | 12.992 |
| C    | 12.8 |      | 13.2 | 0.504 |      | 0.519  |
| D    | 20.2 |      |      | 0.795 |      |        |
| N    | 60   |      |      | 2.362 |      |        |
| T    |      |      | 22.4 |       |      | 0.882  |
| Ao   | 6.7  |      | 6.9  | 0.264 |      | 0.272  |
| Bo   | 5.3  |      | 5.5  | 0.209 |      | 0.217  |
| Ko   | 1.6  |      | 1.8  | 0.063 |      | 0.071  |
| Po   | 3.9  |      | 4.1  | 0.153 |      | 0.161  |
| P    | 7.9  |      | 8.1  | 0.311 |      | 0.319  |



## 8 Revision history

**Table 7. Document revision history**

| Date        | Revision | Changes   |
|-------------|----------|---|
| 07-Jul-2004 | 2        | Update <a href="#">Figure 3</a>   |
| 07-May-2007 | 3        | Document reformatted, tube package deleted                                      |
| 21-May-2008 | 4        | Update: tsu and ThL values in <a href="#">Table 4</a> , ESD value on cover page |
| 16-Mar-2009 | 5        | Updated <a href="#">Table 5 on page 6</a>                                       |

**Please Read Carefully:**

Information in this document is provided solely in connection with ST products. STMicroelectronics NV and its subsidiaries ("ST") reserve the right to make changes, corrections, modifications or improvements, to this document, and the products and services described herein at any time, without notice.

All ST products are sold pursuant to ST's terms and conditions of sale.

Purchasers are solely responsible for the choice, selection and use of the ST products and services described herein, and ST assumes no liability whatsoever relating to the choice, selection or use of the ST products and services described herein.

No license, express or implied, by estoppel or otherwise, to any intellectual property rights is granted under this document. If any part of this document refers to any third party products or services it shall not be deemed a license grant by ST for the use of such third party products or services, or any intellectual property contained therein or considered as a warranty covering the use in any manner whatsoever of such third party products or services or any intellectual property contained therein.

**UNLESS OTHERWISE SET FORTH IN ST'S TERMS AND CONDITIONS OF SALE ST DISCLAIMS ANY EXPRESS OR IMPLIED WARRANTY WITH RESPECT TO THE USE AND/OR SALE OF ST PRODUCTS INCLUDING WITHOUT LIMITATION IMPLIED WARRANTIES OF MERCHANTABILITY, FITNESS FOR A PARTICULAR PURPOSE (AND THEIR EQUIVALENTS UNDER THE LAWS OF ANY JURISDICTION), OR INFRINGEMENT OF ANY PATENT, COPYRIGHT OR OTHER INTELLECTUAL PROPERTY RIGHT.**

**UNLESS EXPRESSLY APPROVED IN WRITING BY AN AUTHORIZED ST REPRESENTATIVE, ST PRODUCTS ARE NOT RECOMMENDED, AUTHORIZED OR WARRANTED FOR USE IN MILITARY, AIR CRAFT, SPACE, LIFE SAVING, OR LIFE SUSTAINING APPLICATIONS, NOR IN PRODUCTS OR SYSTEMS WHERE FAILURE OR MALFUNCTION MAY RESULT IN PERSONAL INJURY, DEATH, OR SEVERE PROPERTY OR ENVIRONMENTAL DAMAGE. ST PRODUCTS WHICH ARE NOT SPECIFIED AS "AUTOMOTIVE GRADE" MAY ONLY BE USED IN AUTOMOTIVE APPLICATIONS AT USER'S OWN RISK.**

Resale of ST products with provisions different from the statements and/or technical features set forth in this document shall immediately void any warranty granted by ST for the ST product or service described herein and shall not create or extend in any manner whatsoever, any liability of ST.

ST and the ST logo are trademarks or registered trademarks of ST in various countries.

Information in this document supersedes and replaces all information previously supplied.

The ST logo is a registered trademark of STMicroelectronics. All other names are the property of their respective owners.

© 2009 STMicroelectronics - All rights reserved

STMicroelectronics group of companies

Australia - Belgium - Brazil - Canada - China - Czech Republic - Finland - France - Germany - Hong Kong - India - Israel - Italy - Japan - Malaysia - Malta - Morocco - Singapore - Spain - Sweden - Switzerland - United Kingdom - United States of America

[www.st.com](http://www.st.com)

Компания «Life Electronics» занимается поставками электронных компонентов импортного и отечественного производства от производителей и со складов крупных дистрибьюторов Европы, Америки и Азии.

С конца 2013 года компания активно расширяет линейку поставок компонентов по направлению коаксиальный кабель, кварцевые генераторы и конденсаторы (керамические, пленочные, электролитические), за счёт заключения дистрибьюторских договоров

Мы предлагаем:

- Конкурентоспособные цены и скидки постоянным клиентам.
- Специальные условия для постоянных клиентов.
- Подбор аналогов.
- Поставку компонентов в любых объемах, удовлетворяющих вашим потребностям.
- Приемлемые сроки поставки, возможна ускоренная поставка.
- Доставку товара в любую точку России и стран СНГ.
- Комплексную поставку.
- Работу по проектам и поставку образцов.
- Формирование склада под заказчика.
- Сертификаты соответствия на поставляемую продукцию (по желанию клиента).
- Тестирование поставляемой продукции.
- Поставку компонентов, требующих военную и космическую приемку.
- Входной контроль качества.
- Наличие сертификата ISO.

В составе нашей компании организован Конструкторский отдел, призванный помогать разработчикам, и инженерам.

Конструкторский отдел помогает осуществить:

- Регистрацию проекта у производителя компонентов.
- Техническую поддержку проекта.
- Защиту от снятия компонента с производства.
- Оценку стоимости проекта по компонентам.
- Изготовление тестовой платы монтаж и пусконаладочные работы.



Тел: +7 (812) 336 43 04 (многоканальный)

Email: [org@lifeelectronics.ru](mailto:org@lifeelectronics.ru)