



FCconnect.com

Copyright FCI.

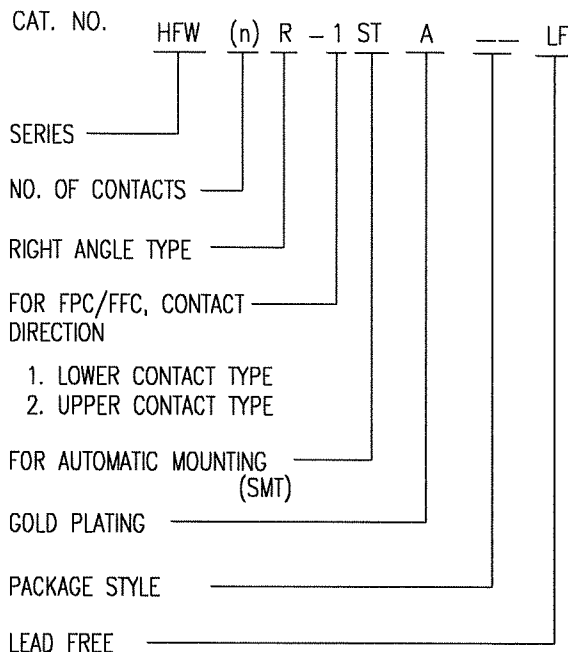
List of "HFW__R-1/2STAE1LF" customer document

| DOCUMENT NO. | LIST |
|--------------|---|
| SC-HFWR03 | SPEC. |
| JSA96453 | CAT.NO.TABLE FOR 1mm SPACING SMT CONNECTOR (HFW__R-1/2STA__LF) |
| JSA96454 | 1mm SPACING SURFACE MOUNT FPC CONNECCTOR (HFW__R-1STA__LF) |
| JSA96455 | 1mm SPACING SURFACE MOUNT FPC CONNECCTOR (HFW__R-2STA__LF) |
| JSA96456 | CAT.NO.TABLE FOR PLASTIC TAPE PACKAGED 1mm SPACING SMT CONN.(HFW__R-1/2STAE1LF) |
| JSA96457 | 1mm SPACING SMT CONNECTOR (HFW__R-1STAE1LF) |
| JSA96458 | 1mm SPACING SMT CONNECTOR (HFW__R-2STAE1LF) |
| JSA96459 | RECOMMENDED CABLE (FPC) (HFW__R-1/2STA) |
| BJM-HFWR101 | HANDLING PROCEDURES |

| | | | | | | | | | | |
|-------------|----------|-----|---------|---------------------------------------|----------------------------|----------------|---|------|--------------|------|
| mat'l. code | | | | surface ⁵⁸ / tolerance | projection | product family | 58NF | CODE | JP | |
| | | | | ISO 1302 ✓ / ISO 406 / ISO 1101 | | title | | | | |
| ltr | ecn no | dr | date | tolerances unless otherwise specified | | mm | 1mm SPACING FPC/FPC CONNECTOR DOCUMENT LIST | | | |
| A | J05-0322 | H.T | 6/3/05 | angles | linear | ← → | (Cat. No. : HFW__R-1/2STAE1LF) | | | |
| B | J06-0413 | H.T | 10/4/06 | | | scale | | | | |
| C | J07-0161 | H.T | 3/15/07 | | | | | | | |
| | | | | dr | <i>[Signature]</i> 3/15/07 | | dwg no | | sheet 1 of 1 | size |
| | | | | enr | <i>[Signature]</i> 3/15/07 | | JSA 96452 | | | A4 |
| | | | | chr | <i>[Signature]</i> 3/19/07 | | type Product Customer Drawing | | | |
| | | | | appd | <i>[Signature]</i> 3/19/07 | | | | | |
| sheet index | revision | C | | | | | | | | Rev |
| | sheet | 1 | | | | | | | | C |

CAT. NO. & DIMENSIONS

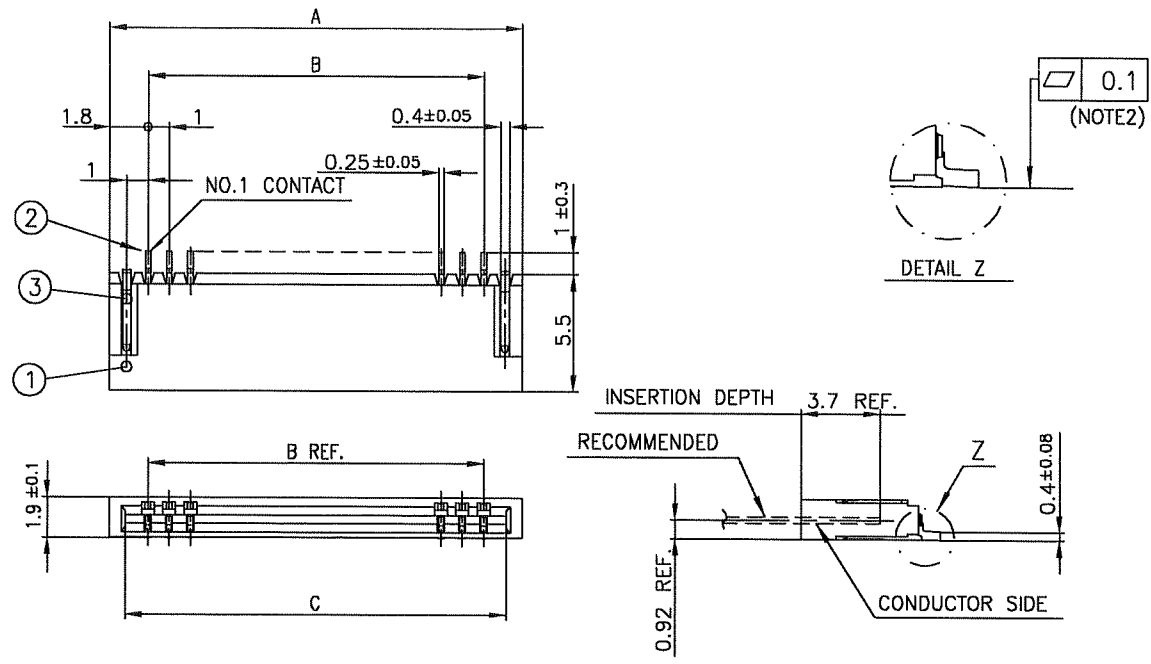
| (NOTE3) | NO. OF CONTACTS (n) | CAT. NO. | DIMENSIONS (NOTE2) | | |
|---------|---------------------|-------------------|--------------------|---------|---------|
| | | | A ± 0.2 | B ± 0.2 | C ± 0.1 |
| | 4 | HFW4R-1/2STA__LF | 6.6 | 3 | 5.14 |
| | 5 | HFW5R-1/2STA__LF | 7.6 | 4 | 6.14 |
| | 6 | HFW6R-1/2STA__LF | 8.6 | 5 | 7.14 |
| | 7 | HFW7R-1/2STA__LF | 9.6 | 6 | 8.14 |
| | 8 | HFW8R-1/2STA__LF | 10.6 | 7 | 9.14 |
| | 9 | HFW9R-1/2STA__LF | 11.6 | 8 | 10.14 |
| | 10 | HFW10R-1/2STA__LF | 12.6 | 9 | 11.14 |
| | 11 | HFW11R-1/2STA__LF | 13.6 | 10 | 12.14 |
| | 12 | HFW12R-1/2STA__LF | 14.6 | 11 | 13.14 |
| | 13 | HFW13R-1/2STA__LF | 15.6 | 12 | 14.14 |
| | 14 | HFW14R-1/2STA__LF | 16.6 | 13 | 15.14 |
| | 15 | HFW15R-1/2STA__LF | 17.6 | 14 | 16.14 |
| | 16 | HFW16R-1/2STA__LF | 18.6 | 15 | 17.14 |
| | 17 | HFW17R-1/2STA__LF | 19.6 | 16 | 18.14 |
| | 18 | HFW18R-1/2STA__LF | 20.6 | 17 | 19.14 |
| | 19 | HFW19R-1/2STA__LF | 21.6 | 18 | 20.14 |
| | 20 | HFW20R-1/2STA__LF | 22.6 | 19 | 21.14 |
| | 21 | HFW21R-1/2STA__LF | 23.6 | 20 | 22.14 |
| | 22 | HFW22R-1/2STA__LF | 24.6 | 21 | 23.14 |
| | 23 | HFW23R-1/2STA__LF | 25.6 | 22 | 24.14 |
| | 24 | HFW24R-1/2STA__LF | 26.6 | 23 | 25.14 |
| | 25 | HFW25R-1/2STA__LF | 27.6 | 24 | 26.14 |
| | 26 | HFW26R-1/2STA__LF | 28.6 | 25 | 27.14 |
| | 27 | HFW27R-1/2STA__LF | 29.6 | 26 | 28.14 |
| * | 28 | HFW28R-1/2STA__LF | 30.6 | 27 | 29.14 |
| * | 29 | HFW29R-1/2STA__LF | 31.6 | 28 | 30.14 |
| | 30 | HFW30R-1/2STA__LF | 32.6 | 29 | 31.14 |



NOTES

1. THIS PRODUCT IS THE CONNECTOR DESIGNED TO TERMINATE FPC AND COPE WITH AUTOMATIC MOUNTING (SMT).
2. SEE PART DRAWINGS FOR DIMENSIONS A~C.
3. PLEASE CONSULT US IN CASE OF USING PARTS WITH * MARK.

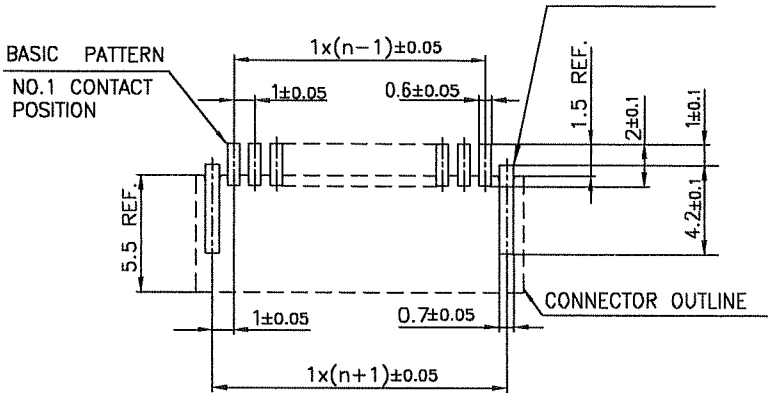
| | | | | | | | | | | | | | |
|-------------|--|----------------|--|-------------------------|--|------------------------------|--|---------------------------------------|--|---|--|-------------------------------|--|
| mat'l. code | | | | surface 58 / ISO 1302 ✓ | | tolerance ISO 406 / ISO 1101 | | projection | | product family 58NF | | CODE JP | |
| ltr | | ecn no | | dr | | date | | tolerances unless otherwise specified | | title CAT NO.TABLE FOR 1mm SPACING SMT CONNECTOR (Cat.No. HFW__R-1/2STA__LF) | | dwg no JSA 96453 | |
| A | | J05-0322 | | H.T | | 6/3/05 | | angles linear | | | | | |
| B | | J06-0413 | | H.T | | 10/4/06 | | | | scale X | | sheet 1 of 1 size A4 | |
| | | | | dr | | 10/14/06 | | | | FCJ | | type Product Customer Drawing | |
| | | | | engr | | 10/14/06 | | | | | | | |
| | | | | chr | | 10/14/06 | | | | | | Rev. B | |
| | | | | appd | | 10/14/06 | | | | | | | |
| sheet index | | revision sheet | | B | | 1 | | | | | | | |



| PT. NO. | PARTS NAME | MATERIAL | Q'TY | NOTE |
|---------|----------------|---------------------------------------|------|--------------|
| 1 | HOUSING | PA6T RESIN GLASS REINFORCED (UL94V-0) | 1 | COLOR:BLACK |
| 2 | CONTACT | PHOSPHOR BRONZE | n | PLATING:GOLD |
| 3 | MOUNTING PLATE | | 2 | PLATING:TIN |

n : NO. OF CONTACTS

RECOMMENDED PC BOARD LAYOUT (COMPONENT SIDE)



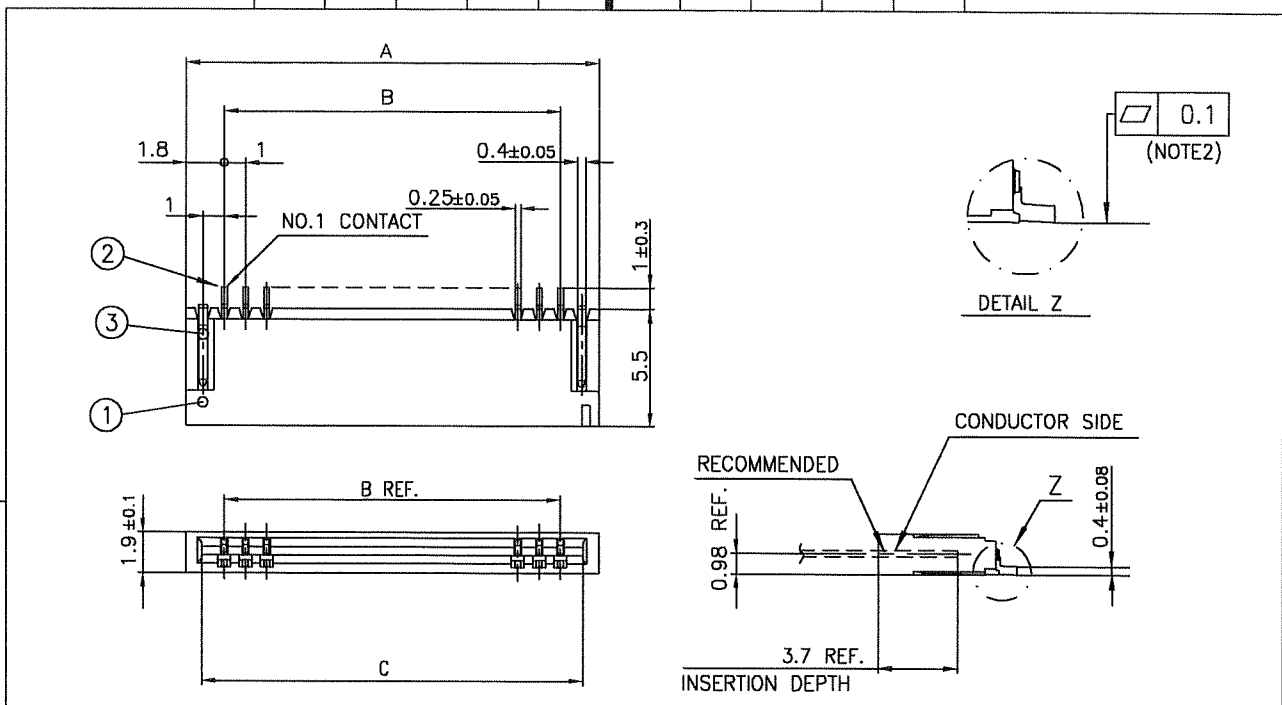
NOTES

1. THIS PRODUCT IS THE CONNECTOR DESIGNED TO TERMINATE FPC AND COPES WITH AUTOMATIC MOUNTING (SMT).
2. FLATNESS OF CONTACT TERMINAL FOR HOUSING MUST BE WITHIN TOLERANCE IN Z PORTION DETAILED DRAWING.
3. THIS PRODUCT IS LOWER CONTACT TYPE CONNECTOR.
4. THIS PRODUCT MEETS EUROPEAN UNION DIRECTIVES AND OTHER COUNTRY REGULATIONS AS DESCRIBED IN GS-22-008
5. THE HOUSING WILL WITHSTAND EXPOSURE TO 260°C PEAK TEMPERATURE FOR 10 SECONDS IN A REFLOW SOLDERING OVEN.

Copyright FCI. FCconnect.com

| | | | | | | | | | |
|-------------|----------------|-----|----------|---------------------------------------|----------------------------------|----------------|---|---------|--|
| mat'l. code | | | | surface 58 ISO 1302 | tolerance ISO 406 ISO 1101 | projection | product family 58NF | CODE JP | |
| ltr | ecn no | dr | date | tolerances unless otherwise specified | | mm | title | | |
| A | J05-0322 | H.T | 6/3/05 | angles | linear | | 1mm SPACING SURFACE MOUNT FPC CONNECTOR (Cat.No. HFW__R-1STA__LF) | | |
| B | J05-0732 | H.T | 10/28/05 | | | | scale X | | |
| C | J06-0413 | H.T | 10/4/06 | | | | dwg no sheet 1 of 1 size | | |
| | | | | dr | | | JSA 96454 A4 | | |
| | | | | enr | | | type Product Customer Drawing | | |
| | | | | chr | | | | | |
| | | | | appd | | | | | |
| sheet index | revision sheet | C | 1 | | | | | Rev. C | |

SC-HFWR 03 JSA96453 form: A4

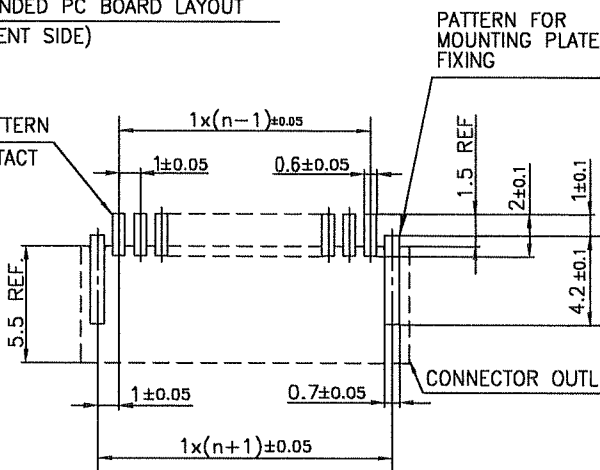


| PT. NO. | PARTS NAME | MATERIAL | Q'TY | NOTE |
|---------|----------------|---------------------------------------|------|--------------|
| 1 | HOUSING | PA6T RESIN GLASS REINFORCED (UL94V-0) | 1 | COLOR:BLACK |
| 2 | CONTACT | PHOSPHOR BRONZE | n | PLATING:GOLD |
| 3 | MOUNTING PLATE | | 2 | PLATING:TIN |

n : NO. OF CONTACTS

RECOMMENDED PC BOARD LAYOUT
(COMPONENT SIDE)

BASIC PATTERN
NO.1 CONTACT
POSITION



NOTES

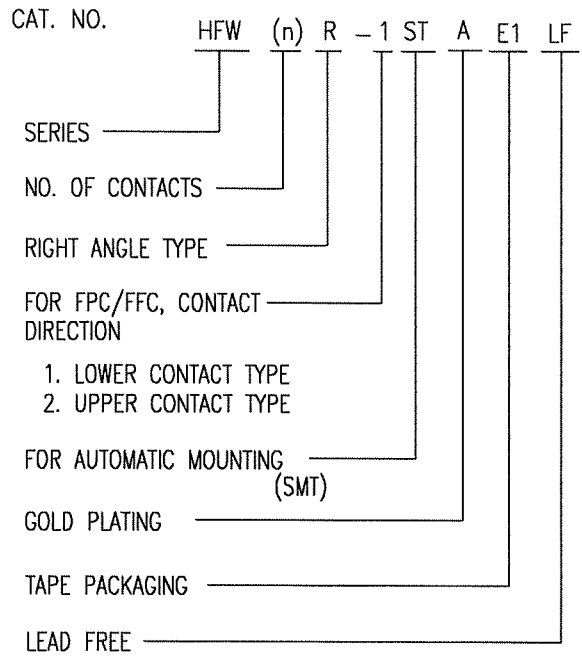
- THIS PRODUCT IS THE CONNECTOR DESIGNED TO TERMINATE FPC AND COPES WITH AUTOMATIC MOUNTING (SMT).
- FLATNESS OF CONTACT TERMINAL FOR HOUSING MUST BE WITHIN TOLERANCE IN Z PORTION DETAILED DRAWING.
- THIS PRODUCT IS UPPER CONTACT TYPE CONNECTOR.
- THIS PRODUCT MEETS EUROPEAN UNION DIRECTIVES AND OTHER COUNTRY REGULATIONS AS DESCRIBED IN GS-22-008
- THE HOUSING WILL WITHSTAND EXPOSURE TO 260°C PEAK TEMPERATURE FOR 10 SECONDS IN A REFLOW SOLDERING OVEN.

| | | | | | | | | | | | |
|-------------|--|--|--|--|--|------------|--|---------------------|--|---|--|
| mat'l. code | | | | surface 58 / tolerance ISO 1302 ✓ / ISO 406 / ISO 1101 | | projection | | product family 58NF | | CODE JP | |
| ltr | | | | ecn no | | dr | | date | | tolerances unless otherwise specified | |
| A | | | | J05-0322 | | H.T | | 6/3/'05 | | ±0.2 | |
| B | | | | J05-0732 | | H.T | | 10/28/'05 | | mm | |
| C | | | | J06-0413 | | H.T | | 10/4/'06 | | scale X | |
| | | | | dr | | 10/4/06 | | | | title | |
| | | | | enr | | 10/4/06 | | | | 1mm SPACING SURFACE MOUNT FPC CONNECTOR (Cat.No. HFW_R-2STA_LF) | |
| | | | | chr | | 10/12/06 | | | | dwg no sheet 1 of 1 size | |
| | | | | app | | 10/12/06 | | | | JSA 96455 A4 | |
| sheet index | | | | revision | | C | | | | type Product Customer Drawing | |
| 1 | | | | sheet | | 1 | | | | Rev. C | |

SC-HFWR 03 JSA96453
form: A4

CAT. NO. & DIMENSIONS

| (NOTE4) | NO. OF CONTACTS (n) | CAT. NO. (NOTE2) | DIMENSIONS (NOTE3) | | |
|---------|---------------------|-------------------|--------------------|---------|---------|
| | | | E ± 5 | F ± 0.3 | G ± 0.1 |
| | 4 | HFW4R-1/2STAE1LF | 28.4 | 24 | — |
| | 5 | HFW5R-1/2STAE1LF | 28.4 | 24 | — |
| | 6 | HFW6R-1/2STAE1LF | 28.4 | 24 | — |
| | 7 | HFW7R-1/2STAE1LF | 28.4 | 24 | — |
| | 8 | HFW8R-1/2STAE1LF | 28.4 | 24 | — |
| | 9 | HFW9R-1/2STAE1LF | 28.4 | 24 | — |
| | 10 | HFW10R-1/2STAE1LF | 28.4 | 24 | — |
| | 11 | HFW11R-1/2STAE1LF | 28.4 | 24 | — |
| | 12 | HFW12R-1/2STAE1LF | 28.4 | 24 | — |
| | 13 | HFW13R-1/2STAE1LF | 28.4 | 24 | — |
| | 14 | HFW14R-1/2STAE1LF | 28.4 | 24 | — |
| | 15 | HFW15R-1/2STAE1LF | 36.4 | 32 | 28.4 |
| | 16 | HFW16R-1/2STAE1LF | 36.4 | 32 | 28.4 |
| | 17 | HFW17R-1/2STAE1LF | 36.4 | 32 | 28.4 |
| | 18 | HFW18R-1/2STAE1LF | 36.4 | 32 | 28.4 |
| | 19 | HFW19R-1/2STAE1LF | 48.4 | 44 | 40.4 |
| | 20 | HFW20R-1/2STAE1LF | 48.4 | 44 | 40.4 |
| | 21 | HFW21R-1/2STAE1LF | 48.4 | 44 | 40.4 |
| | 22 | HFW22R-1/2STAE1LF | 48.4 | 44 | 40.4 |
| | 23 | HFW23R-1/2STAE1LF | 48.4 | 44 | 40.4 |
| | 24 | HFW24R-1/2STAE1LF | 48.4 | 44 | 40.4 |
| | 25 | HFW25R-1/2STAE1LF | 48.4 | 44 | 40.4 |
| | 26 | HFW26R-1/2STAE1LF | 48.4 | 44 | 40.4 |
| | 27 | HFW27R-1/2STAE1LF | 48.4 | 44 | 40.4 |
| * | 28 | HFW28R-1/2STAE1LF | 48.4 | 44 | 40.4 |
| * | 29 | HFW29R-1/2STAE1LF | 48.4 | 44 | 40.4 |
| | 30 | HFW30R-1/2STAE1LF | 60.4 | 56 | 52.4 |

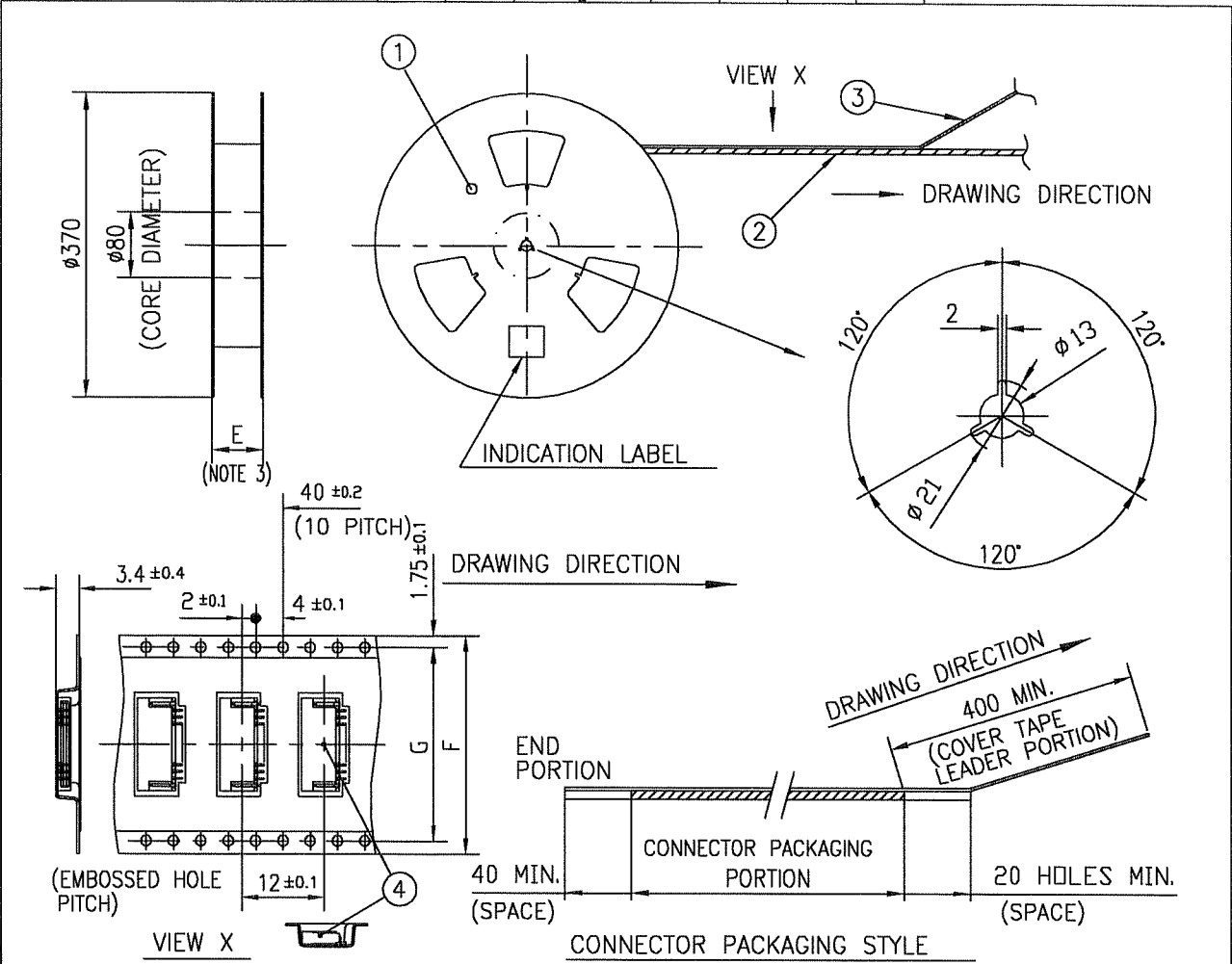


NOTES

1. THIS PRODUCT IS THE CONNECTOR DESIGNED TO TERMINATE FPC AND COPEES WITH AUTOMATIC MOUNTING (SMT).
2. THIS CATALOG NO. INDICATES PLASTIC TAPE PACKAGED CONNECTOR.
3. SEE PART DRAWINGS FOR DIMENSIONS E~G.
4. PLEASE CONSULT US IN CASE OF USING PARTS WITH * MARK.

| | | | | | | | | | | | | | |
|-------------|----------|----------------|----------|---------------------------------------|--------|----------------------------|--|------------|--|---|--|--------------------------|--|
| mat'l. code | | | | surface 5B / ISO 1302 ✓ | | tolerance ISO 406 ISO 1101 | | projection | | product family 58NF | | CODE JP | |
| ltr | ecn no | dr | date | tolerances unless otherwise specified | | | | mm | | title | | | |
| A | J05-D322 | H.T | 6/3/'05 | angles | linear | | | mm | | CAT. NO. TABLE FOR PLASTIC TAPE PACKAGED 1mm SPACING SMT CONN (Cat.No. HFW__R-1/2STAE1LF) | | | |
| B | J06-D413 | H.T | 10/4/'06 | | | | | scale X | | dwg no | | sheet 1 of 1 size | |
| | | | dr | | | | | FCJ | | JSA 96456 | | A4 | |
| | | | enrg | | | | | | | type | | Product Customer Drawing | |
| | | | chr | | | | | | | | | | |
| | | | appd | | | | | | | | | | |
| sheet index | | revision sheet | | B 1 | | | | | | | | Rev. B | |

SC-HFWR03 JSA96453 form: A4



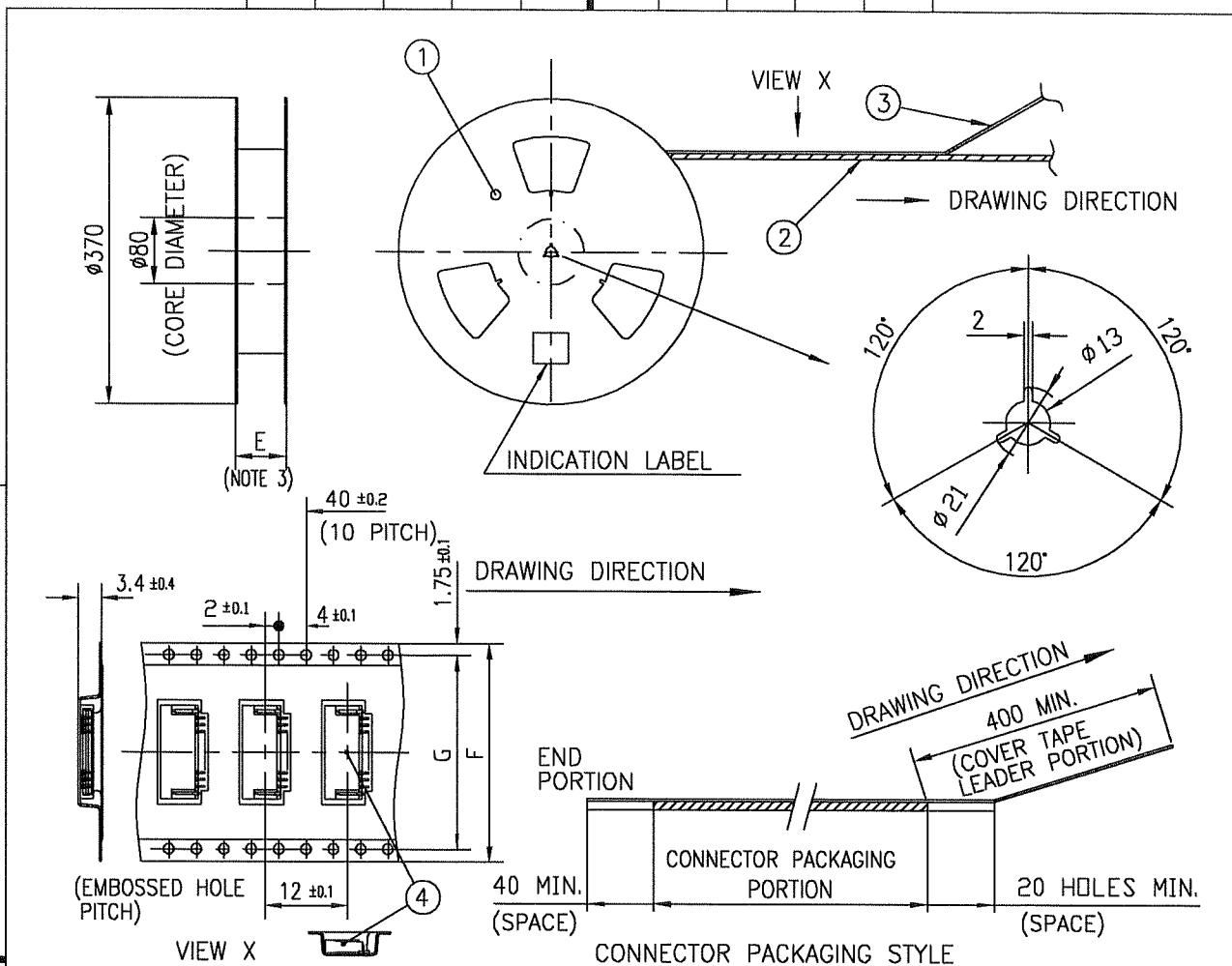
| PT. NO. | PARTS NAME | CAT. NO. | MATERIAL | Q'TY | NOTE |
|---------|------------------------|-----------------|-------------------|------|--------------------|
| 1 | REEL | — | CARDBOARD | 1 | COLOR:WHITE |
| 2 | PLASTIC (EMBOSSD) TAPE | — | PET | — | COLOR:TRANSPARENCY |
| 3 | COVER | — | POLYESTER | — | COLOR:TRANSPARENCY |
| 4 | CONNECTOR | HFW__R-1STA__LF | SEE ATTACHED DWG. | 2000 | LOWER CONTACT TYPE |

- NOTES
- THIS IS PLASTIC TAPE PACKAGED CONNECTOR DESIGNED TO TERMINATE FPC AND COPES WITH AUTOMATIC MOUNTING (SMT).
 - SEE JIS C 0806 (PACKING OF ELECTRONIC COMPONENTS ON CONTINUOUS TAPES (SURFACE MOUNTING DEVICES)) FOR SHAPE AND DIMENSIONS OF PLASTIC (EMBOSSD) TAPE AND REEL.
 - E DIMENSION IS PORTION OF THE CORE.

| | | | | | | | | | | | |
|-------------|----------|-------------------------|----------|---------------------------------------|--|------------|--|---------------------|--|---------------------------|--|
| mat'l. code | | surface 58 / ISO 1302 ✓ | | tolerance ISO 406 / ISO 1101 | | projection | | product family 58NF | | CODE JP | |
| ltr | ecn no | dr | date | tolerances unless otherwise specified | | | | title | | | |
| A | JD5-0322 | H.T | 6/3/'05 | angles | | linear | | mm | | 1mm SPACING SMT CONNECTOR | |
| B | JD6-0413 | H.T | 10/4/'06 | ±5' | | | | scale X | | (Cat.No. HFW__R-1STAE1LF) | |
| | | dr | 10/4/06 | | | | | dwg no | | sheet 1 of 1 size | |
| | | enr | 10/4/06 | | | | | JSA 96457 | | A4 | |
| | | chr | 12/12/06 | | | | | type | | Product Customer Drawing | |
| | | appd | 10/12/06 | | | | | | | | |
| sheet index | | revision sheet | | B 1 | | | | | | Rev. B | |

SC-HFWR 03 JSA96453 form: A4

FCJ
 FCconnect.com
 Copyright FCJ.



| PT. NO. | PARTS NAME | CAT. NO. | MATERIAL | Q'TY | NOTE |
|---------|-------------------------|-------------------|-------------------|------|--------------------|
| 1 | REEL | --- | CARDBOARD | 1 | COLOR:WHITE |
| 2 | PLASTIC (EMBOSSED) TAPE | --- | PET | --- | COLOR:TRANSPARENCY |
| 3 | COVER | --- | POLYESTER | --- | COLOR:TRANSPARENCY |
| 4 | CONNECTOR | HFWR__R-2STA__-LF | SEE ATTACHED DWG. | 2000 | UPPER CONTACT TYPE |

NOTES

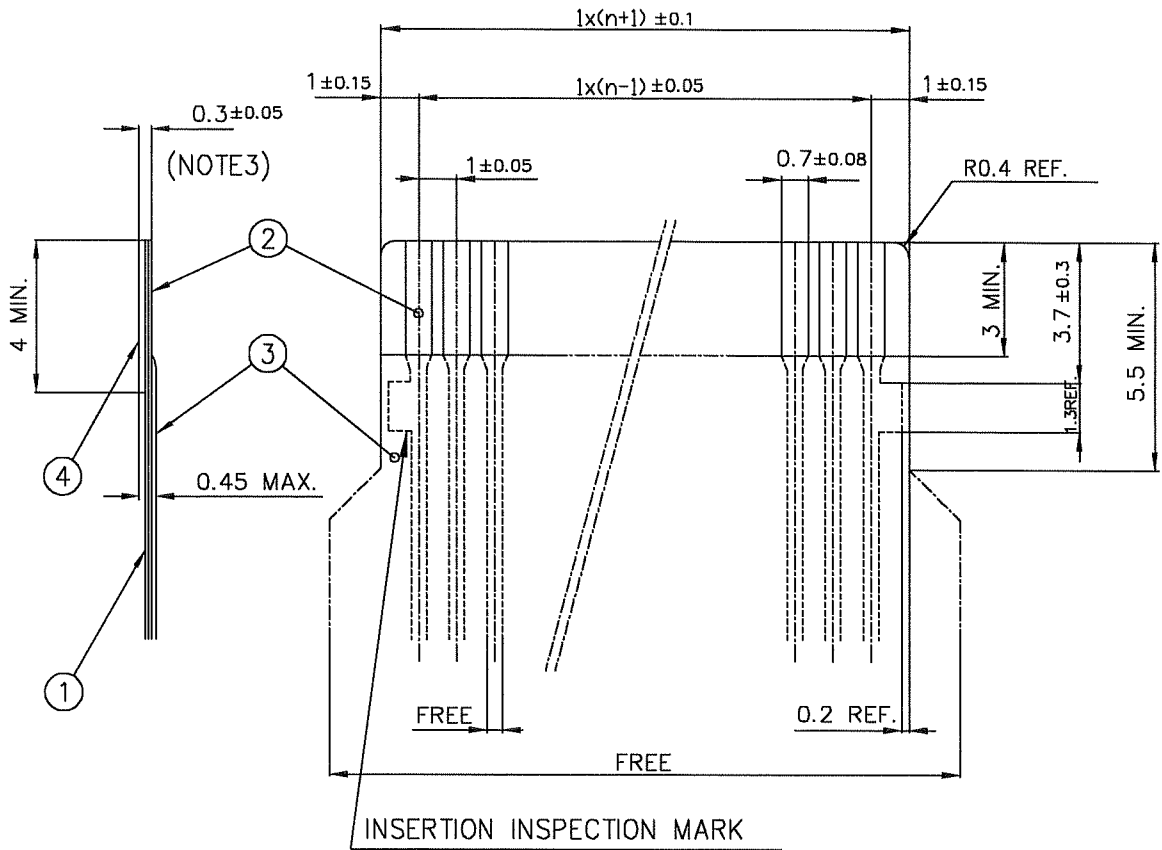
1. THIS IS PLASTIC TAPE PACKAGED CONNECTOR DESIGNED TO TERMINATE FPC AND COPES WITH AUTOMATIC MOUNTING (SMT).
2. SEE JIS C 0806 (PACKING OF ELECTRONIC COMPONENTS ON CONTINUOUS TAPES (SURFACE MOUNTING DEVICES)) FOR SHAPE AND DIMENSIONS OF PLASTIC (EMBOSSED) TAPE AND REEL.
3. E DIMENSION IS PORTION OF THE CORE.

| | | | | | | | | | | | |
|-------------|--|--------------------------|--|----------------------------------|--|------------------|--|--|--|---|--|
| mat'l. code | | surface 58 ISO 1302 ✓ | | tolerance ISO 406 ISO 1101 | | projection mm | | product family 58NF | | CODE JP | |
| ltr | | ecn no | | dr | | date | | tolerances, unless otherwise specified | | title | |
| A | | J05-0322 | | H.T. | | 6/3/'05 | | ±5 | | 1mm SPACING SMT CONNECTOR (Cat.No. HFWR__R-2STAE1LF) | |
| B | | J06-0413 | | H.T. | | 10/4/'06 | | angles linear | | scale X | |
| | | | | | | | | ±5' | | dwg no | |
| | | | | | | | | dr | | sheet 1 of 1 | |
| | | | | | | | | engr | | JSA 96458 | |
| | | | | | | | | chr | | A4 | |
| | | | | | | | | appd | | type Product Customer Drawing | |
| sheet index | | revision sheet | | B | | 1 | | | | Rev. B | |

SC-HFWR 03 JSA96453
form: A4

RECOMMENDED CABLE (FPC)

n : NO. OF CONDUCTORS



| PT. NO. | DESCRIPTION | MATERIAL | THICKNESS (μm) |
|---------|-----------------|--------------------------------------|-----------------------------|
| 1 | BASE FILM | POLYIMIDE OR POLYESTER OR EQUIVALENT | 25 |
| 2 | CONDUCTOR | COPPER FOIL(PLATING : GOLD) | 35 |
| 3 | OVERLAY | POLYIMIDE OR POLYESTER OR EQUIVALENT | — |
| 4 | SUPPORTING TAPE | POLYESTER OR POLYIMIDE OR EQUIVALENT | 188 |

NOTES

1. NO BURR AT EACH PORTION.
2. NO PEELING IN COMMON USE.
3. TOTAL THICKNESS LIMIT OF EACH MATERIAL (INCLUDING ADHESIVE AGENT) IS SPECIFIED.

| | | | | | | | | | | | | |
|-------------|----------------|-----|----------|---|--|------------|--|--|--|---------|--|--------|
| mat'l. code | | | | surface 58 / tolerance ISO 1302 \checkmark ISO 406 ISO 1101 | | projection | | product family 58NF | | CODE JP | | |
| ltr | ecn no | dr | date | tolerances, unless otherwise specified | | | | title | | | | |
| A | J05-0322 | H.T | 6/2/'05 | angles linear | | | | RECOMMENDED CABLE | | | | |
| B | J06-0078 | H.T | 3/1/'06 | | | | | HFW__R-1/2STA__ | | | | |
| C | J06-0413 | H.T | 10/4/'06 | | | | | scale \times | | | | |
| | | | | dr <i>H. Hatanaka</i> 10/4/06 | | | | dwg no JSA 96459 sheet 1 of 1 size A4 type Product Customer Drawing | | | | |
| | | | | enr <i>H. Hatanaka</i> 10/4/06 | | | | | | | | |
| | | | | chr <i>J. Hsu</i> 10/12/06 | | | | | | | | |
| | | | | appd <i>S. Iudama</i> 10/12/06 | | | | | | | | |
| sheet index | revision sheet | c | 1 | | | | | | | | | Rev. c |

Компания «Life Electronics» занимается поставками электронных компонентов импортного и отечественного производства от производителей и со складов крупных дистрибьюторов Европы, Америки и Азии.

С конца 2013 года компания активно расширяет линейку поставок компонентов по направлению коаксиальный кабель, кварцевые генераторы и конденсаторы (керамические, пленочные, электролитические), за счёт заключения дистрибьюторских договоров

Мы предлагаем:

- Конкурентоспособные цены и скидки постоянным клиентам.
- Специальные условия для постоянных клиентов.
- Подбор аналогов.
- Поставку компонентов в любых объемах, удовлетворяющих вашим потребностям.
- Приемлемые сроки поставки, возможна ускоренная поставка.
- Доставку товара в любую точку России и стран СНГ.
- Комплексную поставку.
- Работу по проектам и поставку образцов.
- Формирование склада под заказчика.
- Сертификаты соответствия на поставляемую продукцию (по желанию клиента).
- Тестирование поставляемой продукции.
- Поставку компонентов, требующих военную и космическую приемку.
- Входной контроль качества.
- Наличие сертификата ISO.

В составе нашей компании организован Конструкторский отдел, призванный помогать разработчикам, и инженерам.

Конструкторский отдел помогает осуществить:

- Регистрацию проекта у производителя компонентов.
- Техническую поддержку проекта.
- Защиту от снятия компонента с производства.
- Оценку стоимости проекта по компонентам.
- Изготовление тестовой платы монтаж и пусконаладочные работы.



Тел: +7 (812) 336 43 04 (многоканальный)

Email: org@lifeelectronics.ru