



FCconnect.com

Copyright FCI.

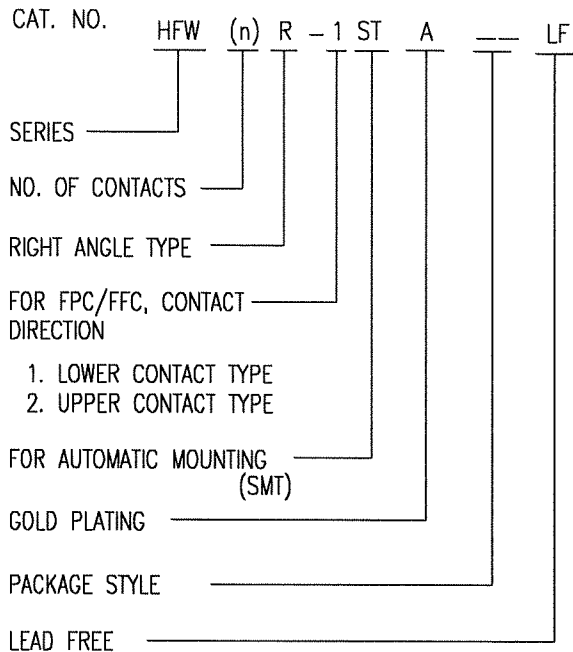
List of "HFW__R-1/2STAE1LF" customer document

DOCUMENT NO.	LIST
SC-HFWR03	SPEC.
JSA96453	CAT.NO.TABLE FOR 1mm SPACING SMT CONNECTOR (HFW__R-1/2STA__LF)
JSA96454	1mm SPACING SURFACE MOUNT FPC CONNECCTOR (HFW__R-1STA__LF)
JSA96455	1mm SPACING SURFACE MOUNT FPC CONNECCTOR (HFW__R-2STA__LF)
JSA96456	CAT.NO.TABLE FOR PLASTIC TAPE PACKAGED 1mm SPACING SMT CONN.(HFW__R-1/2STAE1LF)
JSA96457	1mm SPACING SMT CONNECTOR (HFW__R-1STAE1LF)
JSA96458	1mm SPACING SMT CONNECTOR (HFW__R-2STAE1LF)
JSA96459	RECOMMENDED CABLE (FPC) (HFW__R-1/2STA)
BJM-HFWR101	HANDLING PROCEDURES

mat'l. code				surface ⁵⁸ / tolerance	projection	product family	58NF	CODE	JP	
				ISO 1302 ✓ / ISO 406 / ISO 1101		title				
ltr	ecn no	dr	date	tolerances unless otherwise specified		mm	1mm SPACING FPC/FPC CONNECTOR DOCUMENT LIST			
A	J05-0322	H.T	6/3/05	angles	linear	← →	(Cat. No. : HFW__R-1/2STAE1LF)			
B	J06-0413	H.T	10/4/06			scale				
C	J07-0161	H.T	3/15/07							
				dr	<i>[Signature]</i> 3/15/07		dwg no		sheet 1 of 1	size
				enr	<i>[Signature]</i> 3/15/07		JSA 96452			A4
				chr	<i>[Signature]</i> 3/19/07		type Product Customer Drawing			
				appd	<i>[Signature]</i> 3/19/07					
sheet index	revision	C								Rev
	sheet	1								C

CAT. NO. & DIMENSIONS

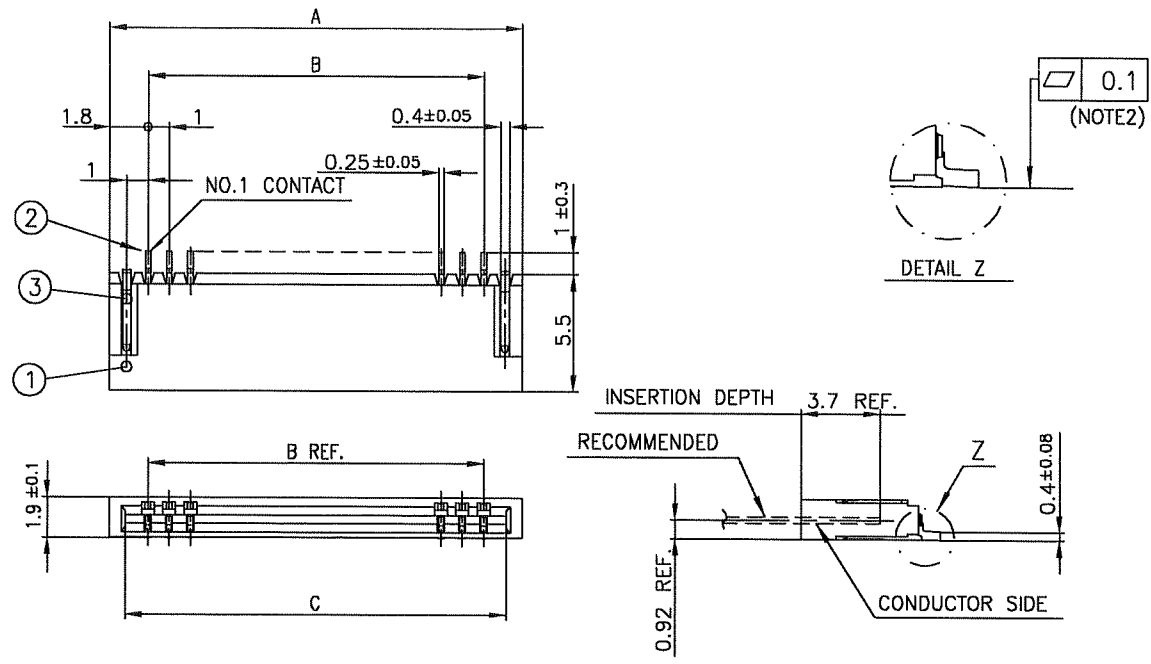
(NOTE3)	NO. OF CONTACTS (n)	CAT. NO.	DIMENSIONS (NOTE2)		
			A ± 0.2	B ± 0.2	C ± 0.1
	4	HFW4R-1/2STA__LF	6.6	3	5.14
	5	HFW5R-1/2STA__LF	7.6	4	6.14
	6	HFW6R-1/2STA__LF	8.6	5	7.14
	7	HFW7R-1/2STA__LF	9.6	6	8.14
	8	HFW8R-1/2STA__LF	10.6	7	9.14
	9	HFW9R-1/2STA__LF	11.6	8	10.14
	10	HFW10R-1/2STA__LF	12.6	9	11.14
	11	HFW11R-1/2STA__LF	13.6	10	12.14
	12	HFW12R-1/2STA__LF	14.6	11	13.14
	13	HFW13R-1/2STA__LF	15.6	12	14.14
	14	HFW14R-1/2STA__LF	16.6	13	15.14
	15	HFW15R-1/2STA__LF	17.6	14	16.14
	16	HFW16R-1/2STA__LF	18.6	15	17.14
	17	HFW17R-1/2STA__LF	19.6	16	18.14
	18	HFW18R-1/2STA__LF	20.6	17	19.14
	19	HFW19R-1/2STA__LF	21.6	18	20.14
	20	HFW20R-1/2STA__LF	22.6	19	21.14
	21	HFW21R-1/2STA__LF	23.6	20	22.14
	22	HFW22R-1/2STA__LF	24.6	21	23.14
	23	HFW23R-1/2STA__LF	25.6	22	24.14
	24	HFW24R-1/2STA__LF	26.6	23	25.14
	25	HFW25R-1/2STA__LF	27.6	24	26.14
	26	HFW26R-1/2STA__LF	28.6	25	27.14
	27	HFW27R-1/2STA__LF	29.6	26	28.14
*	28	HFW28R-1/2STA__LF	30.6	27	29.14
*	29	HFW29R-1/2STA__LF	31.6	28	30.14
	30	HFW30R-1/2STA__LF	32.6	29	31.14



NOTES

1. THIS PRODUCT IS THE CONNECTOR DESIGNED TO TERMINATE FPC AND COPE WITH AUTOMATIC MOUNTING (SMT).
2. SEE PART DRAWINGS FOR DIMENSIONS A~C.
3. PLEASE CONSULT US IN CASE OF USING PARTS WITH * MARK.

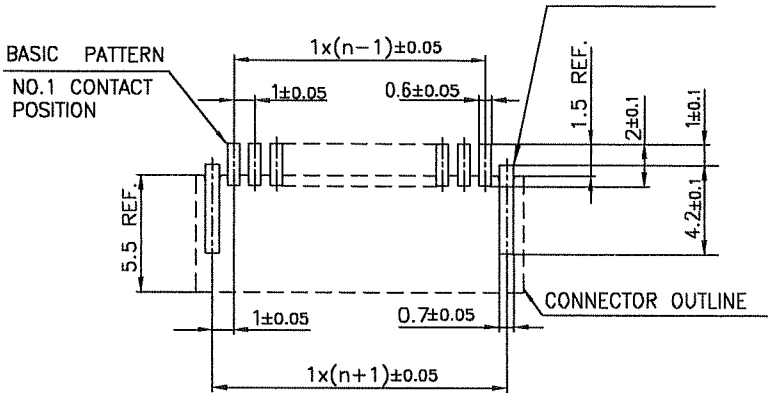
mat'l. code		surface 58 / ISO 1302 ✓		tolerance ISO 406 / ISO 1101		projection		product family 58NF		CODE JP	
ltr	ecn no	dr	date	tolerances unless otherwise specified		mm		title			
A	J05-0322	H.T	6/3/05	angles	linear	mm		CAT NO.TABLE FOR 1mm SPACING SMT CONNECTOR (Cat.No. HFW__R-1/2STA__LF)			
B	J06-0413	H.T	10/4/06			scale X		dwg no sheet 1 of 1 size			
		dr	10/14/06			FCJ		JSA 96453 A4			
		enrg	10/14/06					type Product Customer Drawing			
		chr	10/14/06								
		appd	10/14/06								
sheet index		revision B								Rev. B	
		sheet 1									



PT. NO.	PARTS NAME	MATERIAL	Q'TY	NOTE
1	HOUSING	PA6T RESIN GLASS REINFORCED (UL94V-0)	1	COLOR:BLACK
2	CONTACT	PHOSPHOR BRONZE	n	PLATING:GOLD
3	MOUNTING PLATE		2	PLATING:TIN

n : NO. OF CONTACTS

RECOMMENDED PC BOARD LAYOUT (COMPONENT SIDE)

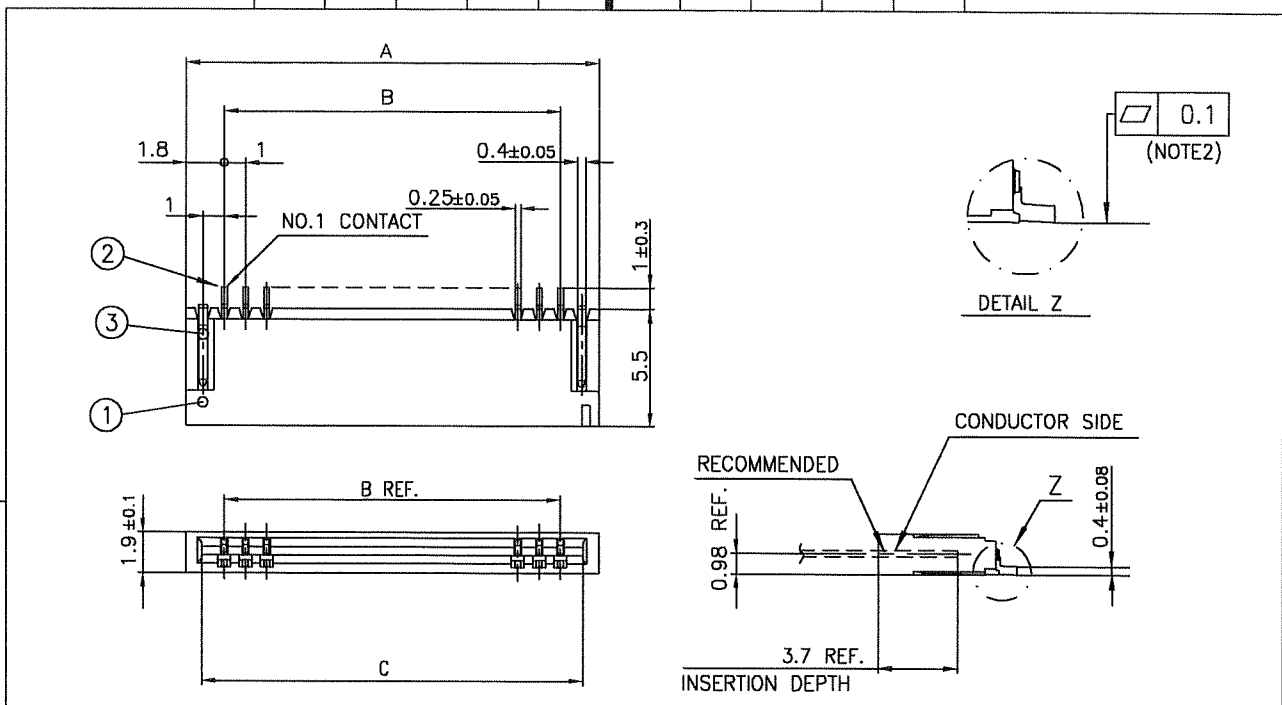


- NOTES
1. THIS PRODUCT IS THE CONNECTOR DESIGNED TO TERMINATE FPC AND COPES WITH AUTOMATIC MOUNTING (SMT).
 2. FLATNESS OF CONTACT TERMINAL FOR HOUSING MUST BE WITHIN TOLERANCE IN Z PORTION DETAILED DRAWING.
 3. THIS PRODUCT IS LOWER CONTACT TYPE CONNECTOR.
 4. THIS PRODUCT MEETS EUROPEAN UNION DIRECTIVES AND OTHER COUNTRY REGULATIONS AS DESCRIBED IN GS-22-008
 5. THE HOUSING WILL WITHSTAND EXPOSURE TO 260°C PEAK TEMPERATURE FOR 10 SECONDS IN A REFLOW SOLDERING OVEN.

mat'l. code				surface 58 ISO 1302	tolerance ISO 406 ISO 1101	projection 	product family 58NF	CODE JP
ltr	ecn no	dr	date	tolerances unless otherwise specified		mm 	title	
A	J05-0322	H.T	6/3/'05	angles	linear		1mm SPACING SURFACE MOUNT FPC CONNECTOR (Cat.No. HFW__R-1STA__LF)	
B	J05-0732	H.T	10/28/'05				dwg no sheet 1 of 1 size	
C	J06-0413	H.T	10/4/'06			scale X	JSA 96454	A4
				dr	<i>J. O...</i>		type Product Customer Drawing	
				enr	<i>J. O...</i>			
				chr	<i>J. O...</i>			
				appd	<i>J. O...</i>			
sheet index	revision sheet	C	1					Rev. C

SC-HFWR 03 JSA96453 form: A4

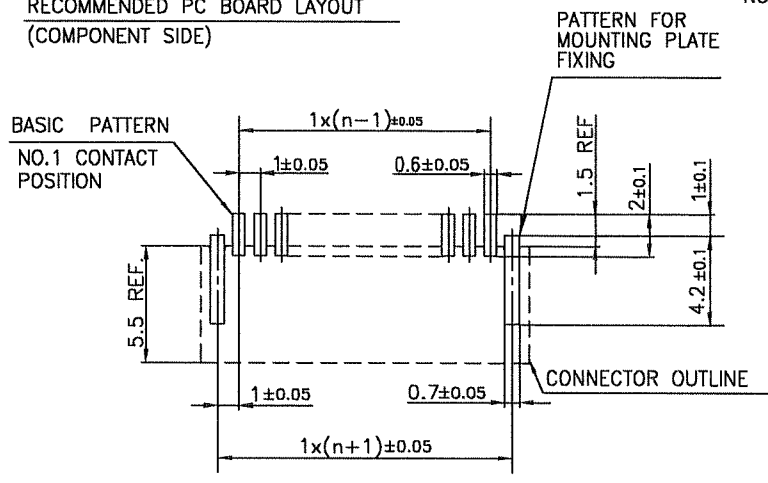
Copyright FCJ. FCJconnect.com



PT. NO.	PARTS NAME	MATERIAL	Q'TY	NOTE
1	HOUSING	PA6T RESIN GLASS REINFORCED (UL94V-0)	1	COLOR:BLACK
2	CONTACT	PHOSPHOR BRONZE	n	PLATING:GOLD
3	MOUNTING PLATE		2	PLATING:TIN

n : NO. OF CONTACTS

RECOMMENDED PC BOARD LAYOUT (COMPONENT SIDE)



NOTES

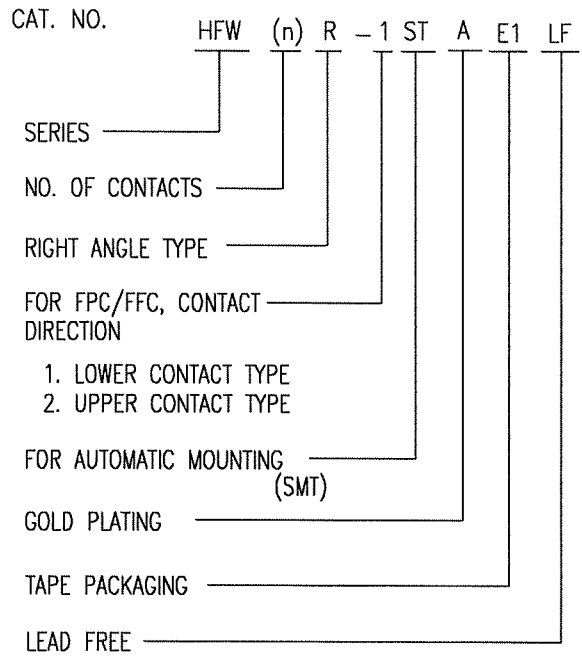
- THIS PRODUCT IS THE CONNECTOR DESIGNED TO TERMINATE FPC AND COPES WITH AUTOMATIC MOUNTING (SMT).
- FLATNESS OF CONTACT TERMINAL FOR HOUSING MUST BE WITHIN TOLERANCE IN Z PORTION DETAILED DRAWING.
- THIS PRODUCT IS UPPER CONTACT TYPE CONNECTOR.
- THIS PRODUCT MEETS EUROPEAN UNION DIRECTIVES AND OTHER COUNTRY REGULATIONS AS DESCRIBED IN GS-22-008
- THE HOUSING WILL WITHSTAND EXPOSURE TO 260°C PEAK TEMPERATURE FOR 10 SECONDS IN A REFLOW SOLDERING OVEN.

mat'l. code		surface 58 / ISO 1302 ✓		tolerance ISO 406 / ISO 1101		projection		product family 58NF		CODE JP	
ltr	ecn no	dr	date	tolerances unless otherwise specified		mm		title			
A	J05-0322	H.T	6/3/'05	angles	linear	±0.2		1mm SPACING SURFACE MOUNT FPC CONNECTOR (Cat.No. HFW__R-2STA__LF)			
B	J05-0732	H.T	10/28/'05			scale X		dwg no sheet 1 of 1 size			
C	J06-0413	H.T	10/4/'06			FCJ		JSA 96455 A4			
sheet index		revision sheet		dr		engr		chr		appd	
		C 1		10/4/06		10/4/06		10/12/06		10/12/06	
				S. Chelavari						type Product Customer Drawing	

SC-HFWR 03 JSA96453 form: A4

CAT. NO. & DIMENSIONS

(NOTE4)	NO. OF CONTACTS (n)	CAT. NO. (NOTE2)	DIMENSIONS (NOTE3)		
			E ± 5	F ± 0.3	G ± 0.1
	4	HFW4R-1/2STAE1LF	28.4	24	—
	5	HFW5R-1/2STAE1LF	28.4	24	—
	6	HFW6R-1/2STAE1LF	28.4	24	—
	7	HFW7R-1/2STAE1LF	28.4	24	—
	8	HFW8R-1/2STAE1LF	28.4	24	—
	9	HFW9R-1/2STAE1LF	28.4	24	—
	10	HFW10R-1/2STAE1LF	28.4	24	—
	11	HFW11R-1/2STAE1LF	28.4	24	—
	12	HFW12R-1/2STAE1LF	28.4	24	—
	13	HFW13R-1/2STAE1LF	28.4	24	—
	14	HFW14R-1/2STAE1LF	28.4	24	—
	15	HFW15R-1/2STAE1LF	36.4	32	28.4
	16	HFW16R-1/2STAE1LF	36.4	32	28.4
	17	HFW17R-1/2STAE1LF	36.4	32	28.4
	18	HFW18R-1/2STAE1LF	36.4	32	28.4
	19	HFW19R-1/2STAE1LF	48.4	44	40.4
	20	HFW20R-1/2STAE1LF	48.4	44	40.4
	21	HFW21R-1/2STAE1LF	48.4	44	40.4
	22	HFW22R-1/2STAE1LF	48.4	44	40.4
	23	HFW23R-1/2STAE1LF	48.4	44	40.4
	24	HFW24R-1/2STAE1LF	48.4	44	40.4
	25	HFW25R-1/2STAE1LF	48.4	44	40.4
	26	HFW26R-1/2STAE1LF	48.4	44	40.4
	27	HFW27R-1/2STAE1LF	48.4	44	40.4
*	28	HFW28R-1/2STAE1LF	48.4	44	40.4
*	29	HFW29R-1/2STAE1LF	48.4	44	40.4
	30	HFW30R-1/2STAE1LF	60.4	56	52.4

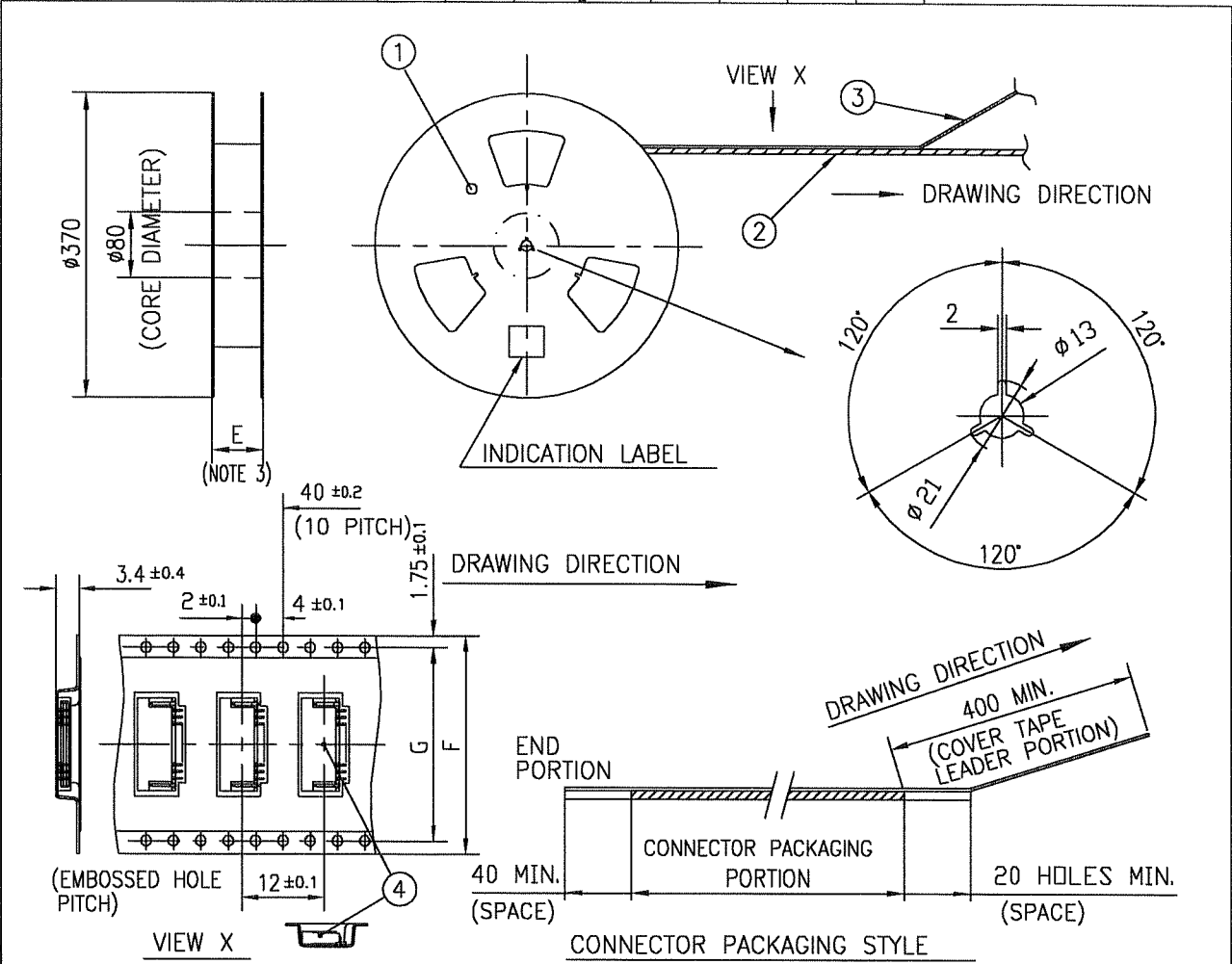


NOTES

1. THIS PRODUCT IS THE CONNECTOR DESIGNED TO TERMINATE FPC AND COPEES WITH AUTOMATIC MOUNTING (SMT).
2. THIS CATALOG NO. INDICATES PLASTIC TAPE PACKAGED CONNECTOR.
3. SEE PART DRAWINGS FOR DIMENSIONS E~G.
4. PLEASE CONSULT US IN CASE OF USING PARTS WITH * MARK.

mat'l. code				surface 5B / ISO 1302 ✓		tolerance ISO 406 / ISO 1101		projection		product family 58NF		CODE JP	
ltr	ecn no	dr	date	tolerances unless otherwise specified				mm		title			
A	J05-D322	H.T	6/3/'05	angles	linear			scale X		CAT. NO. TABLE FOR PLASTIC TAPE PACKAGED 1mm SPACING SMT CONN (Cat.No. HFW__R-1/2STAE1LF)			
B	J06-D413	H.T	10/4/'06					FCJ		dwg no JSA 96456		sheet 1 of 1 size A4	
sheet index		revision B		dr		engr		chr		type Product Customer Drawing		Rev. B	
		1		S. Oadani		10/12/06		10/12/06					

SC-HFWR03 JSA96453 form: A4



PT. NO.	PARTS NAME	CAT. NO.	MATERIAL	Q'TY	NOTE
1	REEL	—	CARDBOARD	1	COLOR:WHITE
2	PLASTIC (EMBOSSD) TAPE	—	PET	—	COLOR:TRANSPARENCY
3	COVER	—	POLYESTER	—	COLOR:TRANSPARENCY
4	CONNECTOR	HFW__R-1STA__LF	SEE ATTACHED DWG.	2000	LOWER CONTACT TYPE

- NOTES
- THIS IS PLASTIC TAPE PACKAGED CONNECTOR DESIGNED TO TERMINATE FPC AND COPES WITH AUTOMATIC MOUNTING (SMT).
 - SEE JIS C 0806 (PACKING OF ELECTRONIC COMPONENTS ON CONTINUOUS TAPES (SURFACE MOUNTING DEVICES)) FOR SHAPE AND DIMENSIONS OF PLASTIC (EMBOSSD) TAPE AND REEL.
 - E DIMENSION IS PORTION OF THE CORE.

mat'l. code		surface 58 / ISO 1302 ✓		tolerance ISO 406 / ISO 1101		projection		product family 58NF		CODE JP	
ltr	ecn no	dr	date	tolerances unless otherwise specified				title			
A	JD5-0322	H.T	6/3/'05	angles		linear		mm		1mm SPACING SMT CONNECTOR	
B	JD6-0413	H.T	10/4/'06	±5'				scale X		(Cat.No. HFW__R-1STAE1LF)	
		dr	10/4/06					dwg no		sheet 1 of 1 size	
		enrg	10/4/06					JSA 96457		A4	
		chr	12/12/06					type		Product Customer Drawing	
		appd	10/12/06								
sheet index		revision sheet		B 1						Rev. B	

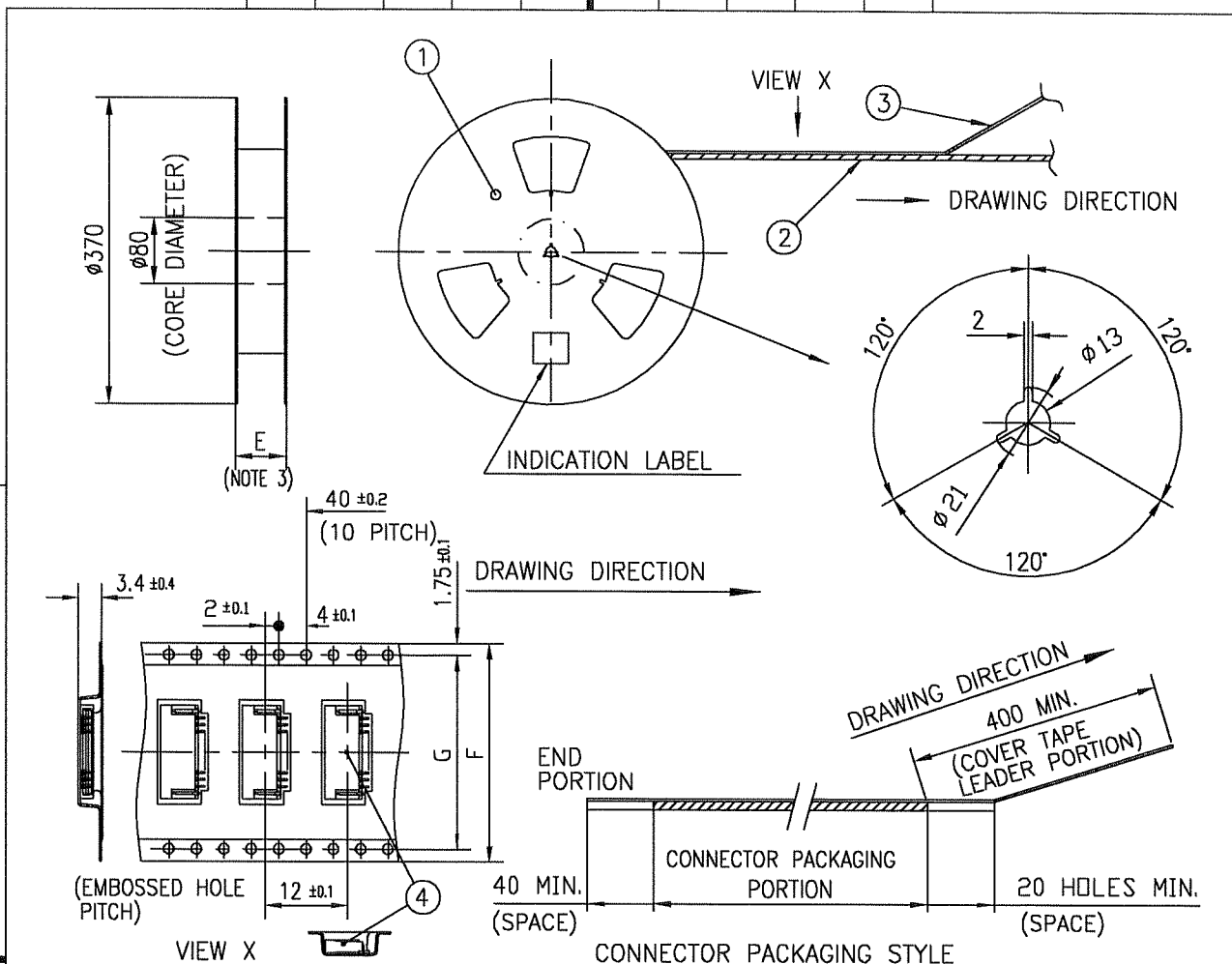
SC-HFWR 03 JSA96453 form: A4



FCJconnect.com

Copyright FCJ.





PT. NO.	PARTS NAME	CAT. NO.	MATERIAL	Q'TY	NOTE
1	REEL	---	CARDBOARD	1	COLOR:WHITE
2	PLASTIC (EMBOSSED) TAPE	---	PET	---	COLOR:TRANSPARENCY
3	COVER	---	POLYESTER	---	COLOR:TRANSPARENCY
4	CONNECTOR	HFWR__R-2STA__-LF	SEE ATTACHED DWG.	2000	UPPER CONTACT TYPE

NOTES

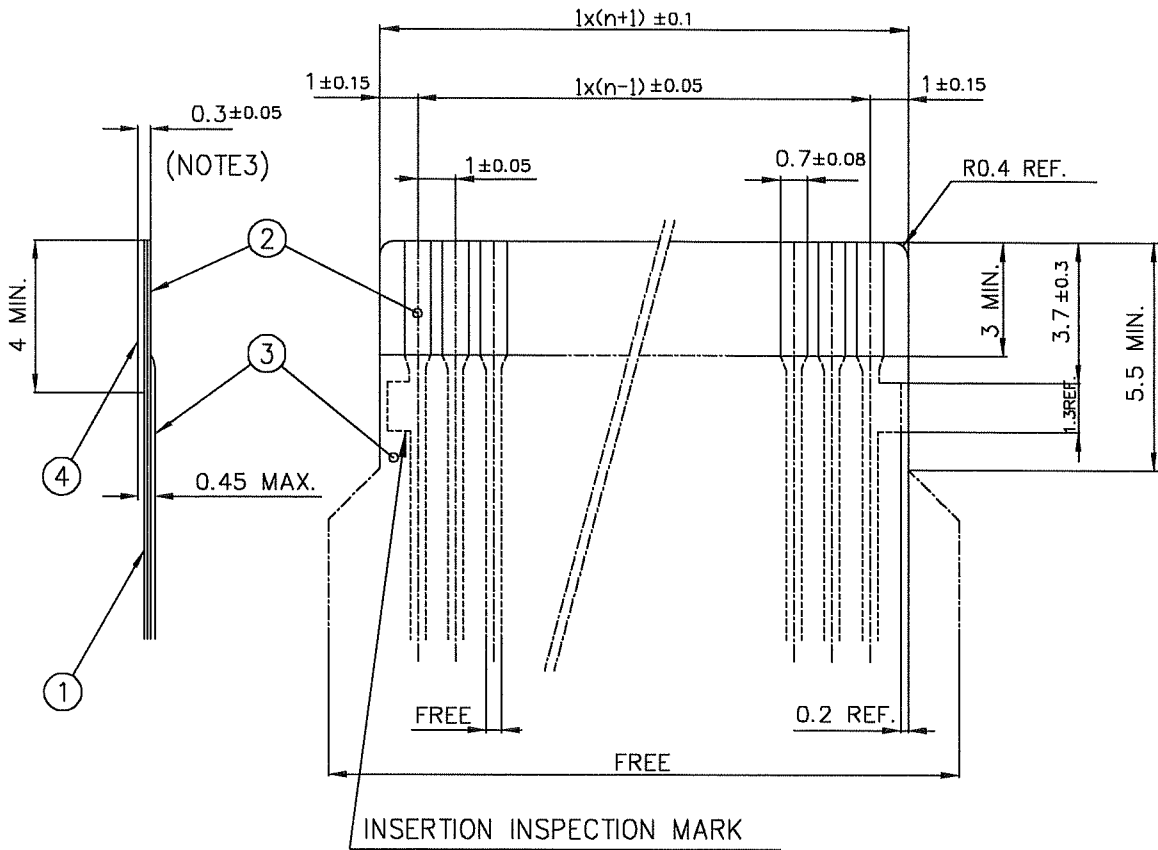
1. THIS IS PLASTIC TAPE PACKAGED CONNECTOR DESIGNED TO TERMINATE FPC AND COPES WITH AUTOMATIC MOUNTING (SMT).
2. SEE JIS C 0806 (PACKING OF ELECTRONIC COMPONENTS ON CONTINUOUS TAPES (SURFACE MOUNTING DEVICES)) FOR SHAPE AND DIMENSIONS OF PLASTIC (EMBOSSED) TAPE AND REEL.
3. E DIMENSION IS PORTION OF THE CORE.

mat'l. code				surface 58 ISO 1302 ✓	tolerance ISO 406 ISO 1101	projection mm	product family 58NF	CODE JP
ltr	ecn no	dr	date	tolerances, unless otherwise specified		mm	title 1mm SPACING SMT CONNECTOR (Cat.No. HFWR__R-2STAE1LF)	
A	J05-0322	H.T	6/3/'05	angles	linear		scale	sheet 1 of 1 size A4
B	J06-0413	H.T	10/4/'06	±5'			sheet 1 of 1 size A4	
				dr	engr	chr		appd
								type Product Customer Drawing
sheet index	revision sheet	B	1					

SC-HFWR 03 JSA96453
form: A4

RECOMMENDED CABLE (FPC)

n : NO. OF CONDUCTORS



PT. NO.	DESCRIPTION	MATERIAL	THICKNESS (μm)
1	BASE FILM	POLYIMIDE OR POLYESTER OR EQUIVALENT	25
2	CONDUCTOR	COPPER FOIL(PLATING : GOLD)	35
3	OVERLAY	POLYIMIDE OR POLYESTER OR EQUIVALENT	—
4	SUPPORTING TAPE	POLYESTER OR POLYIMIDE OR EQUIVALENT	188

NOTES

1. NO BURR AT EACH PORTION.
2. NO PEELING IN COMMON USE.
3. TOTAL THICKNESS LIMIT OF EACH MATERIAL (INCLUDING ADHESIVE AGENT) IS SPECIFIED.

mat'l. code				surface 58 / tolerance ISO 1302 \checkmark ISO 406 ISO 1101		projection		product family 58NF		CODE JP		
ltr	ecn no	dr	date	tolerances, unless otherwise specified				title				
A	J05-0322	H.T	6/2/'05	angles linear				RECOMMENDED CABLE				
B	J06-0078	H.T	3/1/'06					HFW__R-1/2STA__				
C	J06-0413	H.T	10/4/'06					scale \times				
				dr <i>H. Hatanaka</i> 10/4/06				FCJ		dwg no JSA 96459		sheet 1 of 1 size A4
				enr <i>H. Hatanaka</i> 10/4/06								
				chr <i>J. King</i> 10/12/06								
				appd <i>S. Iizuka</i> 10/12/06								
sheet index	revision sheet	c	1									Rev. c

Компания «Life Electronics» занимается поставками электронных компонентов импортного и отечественного производства от производителей и со складов крупных дистрибьюторов Европы, Америки и Азии.

С конца 2013 года компания активно расширяет линейку поставок компонентов по направлению коаксиальный кабель, кварцевые генераторы и конденсаторы (керамические, пленочные, электролитические), за счёт заключения дистрибьюторских договоров

Мы предлагаем:

- Конкурентоспособные цены и скидки постоянным клиентам.
- Специальные условия для постоянных клиентов.
- Подбор аналогов.
- Поставку компонентов в любых объемах, удовлетворяющих вашим потребностям.
- Приемлемые сроки поставки, возможна ускоренная поставка.
- Доставку товара в любую точку России и стран СНГ.
- Комплексную поставку.
- Работу по проектам и поставку образцов.
- Формирование склада под заказчика.
- Сертификаты соответствия на поставляемую продукцию (по желанию клиента).
- Тестирование поставляемой продукции.
- Поставку компонентов, требующих военную и космическую приемку.
- Входной контроль качества.
- Наличие сертификата ISO.

В составе нашей компании организован Конструкторский отдел, призванный помогать разработчикам, и инженерам.

Конструкторский отдел помогает осуществить:

- Регистрацию проекта у производителя компонентов.
- Техническую поддержку проекта.
- Защиту от снятия компонента с производства.
- Оценку стоимости проекта по компонентам.
- Изготовление тестовой платы монтаж и пусконаладочные работы.



Тел: +7 (812) 336 43 04 (многоканальный)
Email: org@lifeelectronics.ru