

DESIGNED & DIMENSIONED  
IN MILLIMETERS [INCHES]

MEC5-XXX-XX-X-RA-XX-TR

DO NOT  
SCALE FROM  
THIS PRINT

No OF POSITIONS (PER ROW)

-030, -040, -050,  
-060, -070, -080

TAPE & REEL

OPTION  
(REQUIRED)

-W1: WELD TAB THROUGH HOLE  
(SEE FIG 2, SHT 3)  
-W2: WELD TAB SURFACE MOUNT  
(SEE FIG 1)

CARD THICKNESS

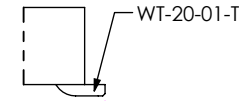
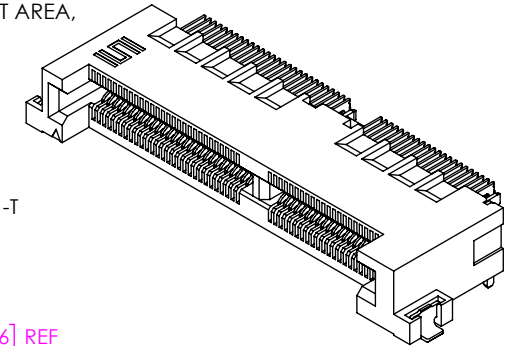
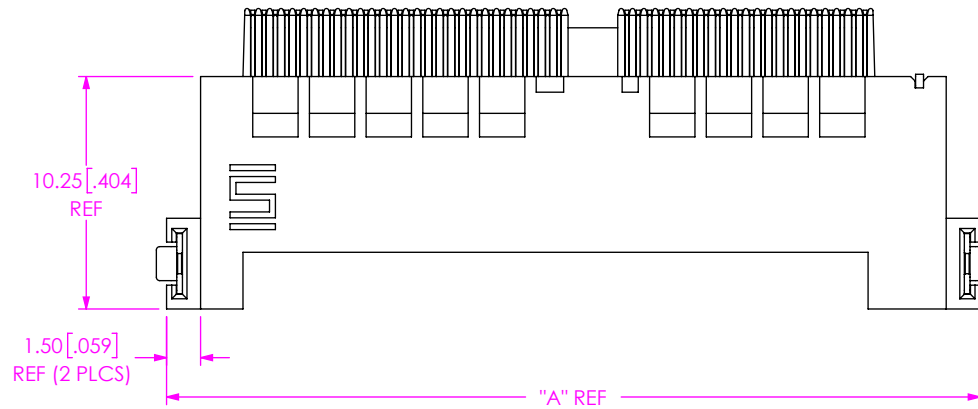
-01: FOR .062" THICK BOARD

PLATING SPECIFICATION

-L: 10µ" GOLD IN CONTACT AREA,  
MATTE TIN TAIL  
-S: 30µ" GOLD IN CONTACT AREA,  
MATTE TIN TAIL

ROW SPECIFICATION

-RA: RIGHT ANGLE



DETAIL 'A'  
SCALE 6:1

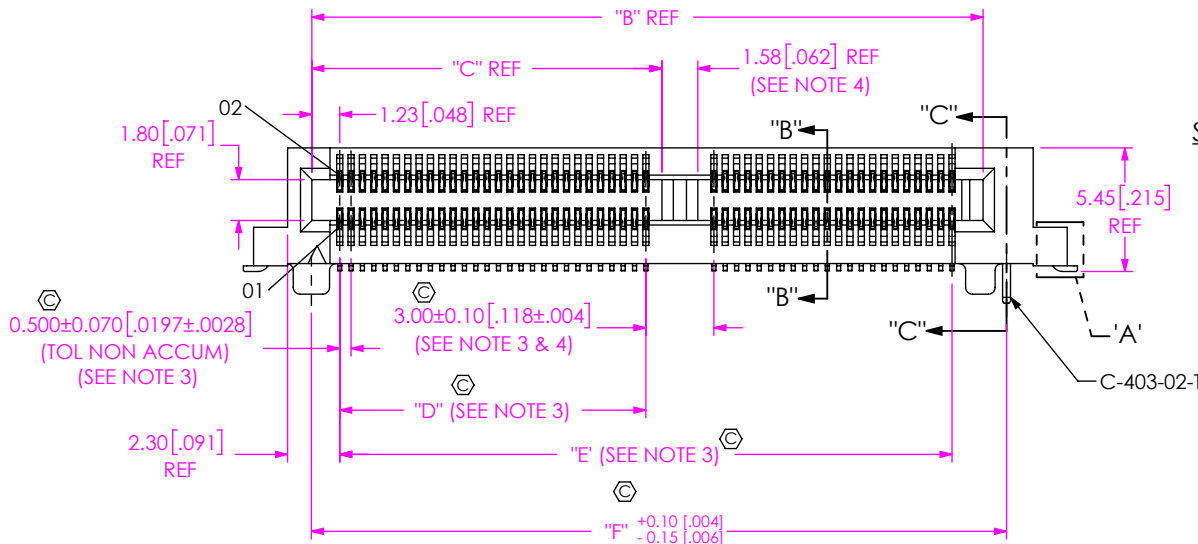


TABLE 1

NO OF POS	"A"	"B"	"C"
-030	23.38 [0.920]	17.10 [0.673]	N/A
-040	28.38 [1.117]	22.10 [0.870]	N/A
-050	35.88 [1.413]	29.60 [1.165]	15.44 [0.608]
-060	40.88 [1.609]	34.60 [1.362]	17.94 [0.706]
-070	45.88 [1.806]	39.60 [1.559]	20.44 [0.805]
-080	50.88 [2.003]	44.60 [1.756]	22.94 [0.903]

NO OF POS	"D"	"E"	"F"
-030	N/A	14.50 [0.571]	18.16 [0.715]
-040	N/A	19.50 [0.768]	23.16 [0.912]
-050	13.50 [0.531]	27.00 [1.063]	30.66 [1.207]
-060	16.00 [0.630]	32.00 [1.260]	35.66 [1.404]
-070	18.50 [0.728]	37.00 [1.457]	40.66 [1.601]
-080	21.00 [0.827]	42.00 [1.654]	45.66 [1.798]

FIG 1  
MEC5-050-01-X-D-RA-W2-TR SHOWN

NOTES:

- ⊗ REPRESENTS A CRITICAL DIMENSION.
- MINIMUM PUSHOUT FORCE: 0.5 LBS FOR C-401, WT-20, WT-51; 1.0 LBS FOR C-403.
- MEASURE BOTH TOP AND BOTTOM ROWS.
- POLARIZATION RIB IS NOT PRESENT ON -030 & -040 POSITIONS.
- FOR QUANTITIES UP TO 49 PCS., NO LEADER, TRAILER OR REEL WILL BE SUPPLIED.  
FOR QUANTITIES OF 50-124 PCS., NO LEADER OR TRAILER WILL BE SUPPLIED,  
SPLICES MAY BE PRESENT.

UNLESS OTHERWISE SPECIFIED,  
DIMENSIONS ARE IN MILLIMETERS.  
TOLERANCES ARE:  
DECIMALS ANGLES  
X.X: ±0.3 [.01] 2°  
X.XX: ±0.10 [.004]  
X.XXX: ±0.051 [.0020]

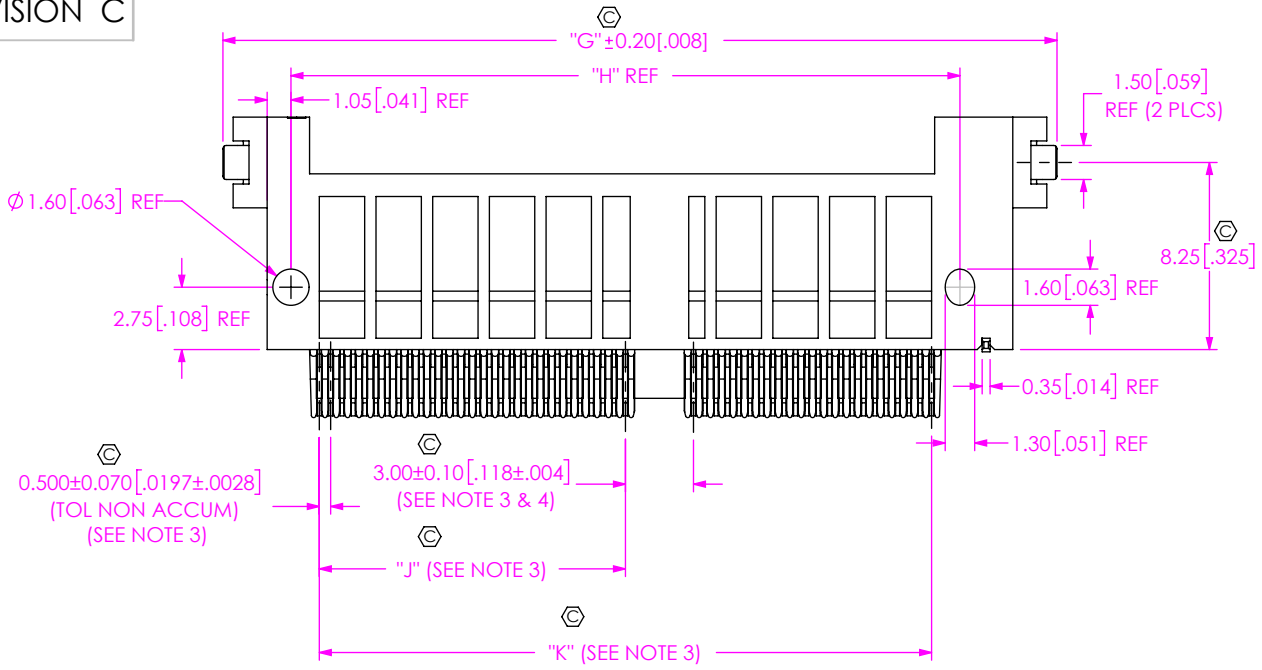
PROPRIETARY NOTE  
THIS DOCUMENT CONTAINS CONFIDENTIAL AND PROPRIETARY INFORMATION AND ALL DESIGN, MANUFACTURING, REPRODUCTION, USE, PATENT RIGHTS AND SALES RIGHTS ARE EXPRESSLY RESERVED BY SAMTEC, INC. THIS DOCUMENT SHALL NOT BE DISCLOSED, IN WHOLE OR PART, TO ANY UNAUTHORIZED PERSON OR ENTITY NOR REPRODUCED, TRANSFERRED OR INCORPORATED IN ANY OTHER PROJECT IN ANY MANNER WITHOUT THE EXPRESS WRITTEN CONSENT OF SAMTEC, INC.

MATERIAL: DO NOT SCALE DRAWING SHEET SCALE: 3:1  
INSULATOR: LCP, UL 94 V0, COLOR: BLACK  
CONTACT: Cu ALLOY  
WELD TAB: BRASS ALLOY



520 PARK EAST BLVD, NEW ALBANY, IN 47150  
PHONE: 812-944-6733 FAX: 812-948-5047  
e-Mail: info@SAMTEC.com code 53322

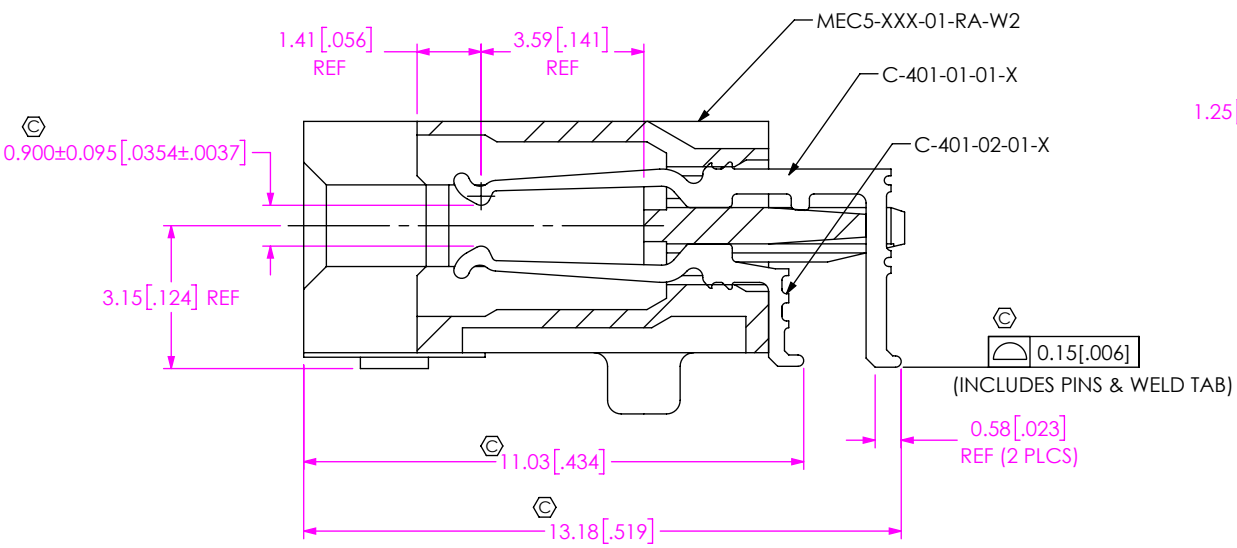
DESCRIPTION:  
0.5mm HIGH SPEED EDGE CARD ASSEMBLY  
DWG. NO.  
MEC5-XXX-XX-X-RA-XX-TR  
BY: JESSIE W 6/3/2015 SHEET 1 OF 4



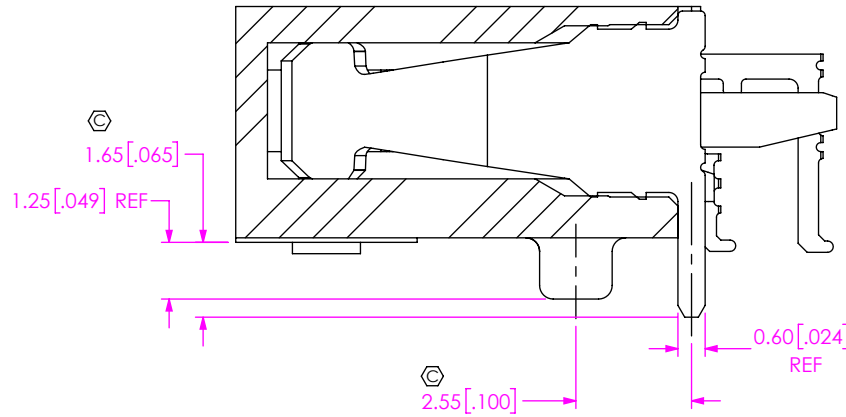
BOTTOM VIEW

TABLE 2		
NO OF POS	"G"	"H"
-030	24.28 [0.956]	17.00 [0.669]
-040	29.28 [1.153]	22.00 [0.866]
-050	36.78 [1.448]	29.50 [1.161]
-060	41.78 [1.645]	34.50 [1.358]
-070	46.78 [1.842]	39.50 [1.555]
-080	51.78 [2.039]	44.50 [1.752]

NO OF POS	"J"	"K"
-030	N/A	14.50 [0.571]
-040	N/A	19.50 [0.768]
-050	13.50 [0.531]	27.00 [1.063]
-060	16.00 [0.630]	32.00 [1.260]
-070	18.50 [0.728]	37.00 [1.457]
-080	21.00 [0.827]	42.00 [1.654]



SECTION "B"- "B"  
SCALE 6 : 1



SECTION "C"- "C"  
SCALE 6 : 1

**PROPRIETARY NOTE**  
 THIS DOCUMENT CONTAINS CONFIDENTIAL AND PROPRIETARY INFORMATION AND ALL DESIGN, MANUFACTURING, REPRODUCTION, USE, PATENT RIGHTS AND SALES RIGHTS ARE EXPRESSLY RESERVED BY SAMTEC, INC. THIS DOCUMENT SHALL NOT BE DISCLOSED, IN WHOLE OR PART, TO ANY UNAUTHORIZED PERSON OR ENTITY NOR REPRODUCED, TRANSFERRED OR INCORPORATED IN ANY OTHER PROJECT IN ANY MANNER WITHOUT THE EXPRESS WRITTEN CONSENT OF SAMTEC, INC.

DO NOT SCALE DRAWING  
 SHEET SCALE: 3:1



520 PARK EAST BLVD, NEW ALBANY, IN 47150  
 PHONE: 812-944-6733 FAX: 812-948-5047  
 e-Mail info@SAMTEC.com code 55322

DESCRIPTION:  
 0.5mm HIGH SPEED EDGE CARD ASSEMBLY

DWG. NO.  
**MEC5-XXX-XX-X-RA-XX-TR**

BY: JESSIE W 6/3/2015 SHEET 2 OF 4

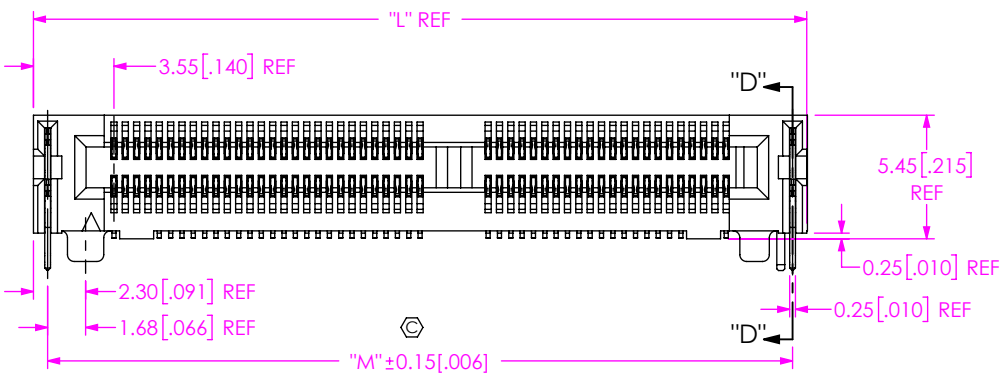
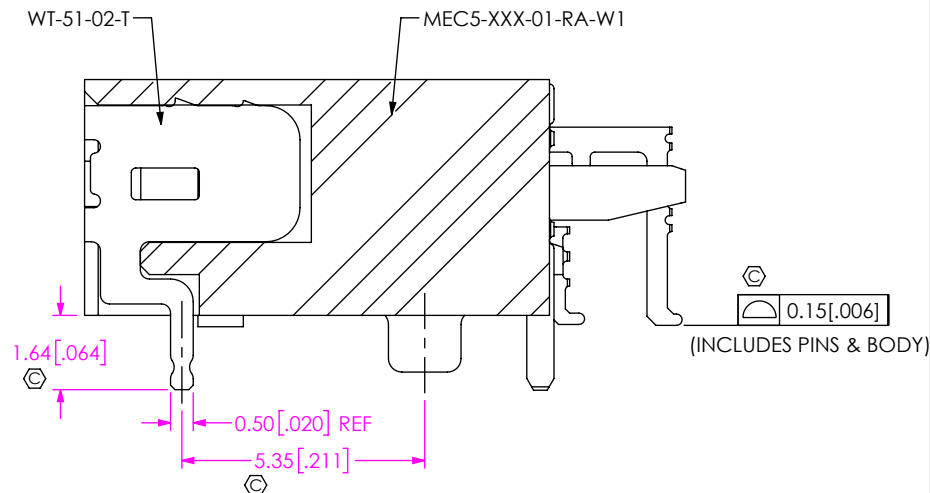
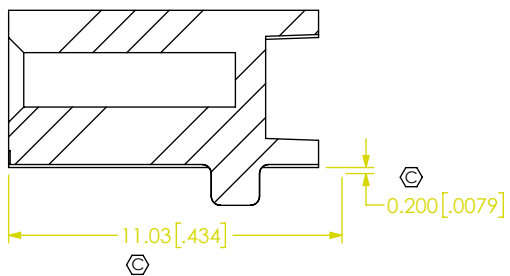


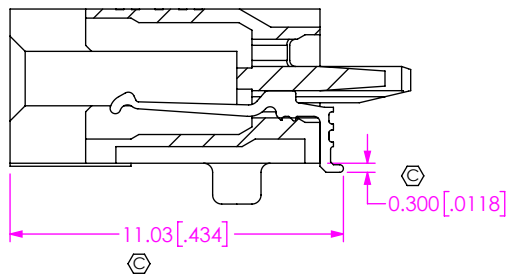
FIG 2  
MEC5-050-01-X-D-RA-W1-TR SHOWN  
(DIFFERENT AS SHOWN, OTHERWISE SAME AS FIG 1)



SECTION "D"-"D"  
SCALE 6 : 1



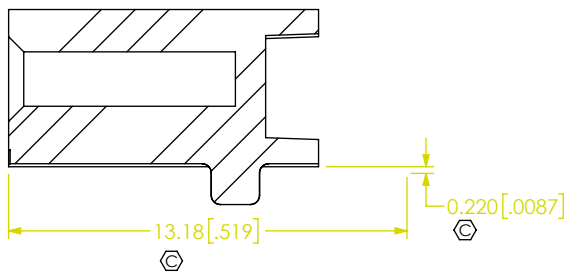
IN-PROCESS 1 FOR W1  
FILL C-401-02-01-X



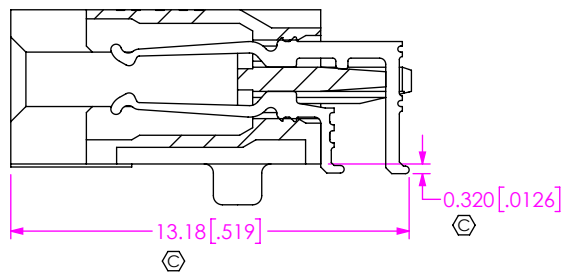
IN-PROCESS 1 FOR W2  
FILL C-401-02-01-X

**TABLE 3**

NO OF POS	"L"	"M"
-030	22.88 [0.901]	21.63 [0.852]
-040	27.88 [1.098]	26.63 [1.048]
-050	35.38 [1.393]	34.13 [1.344]
-060	40.38 [1.590]	39.13 [1.541]
-070	45.38 [1.787]	44.13 [1.737]
-080	50.38 [1.983]	49.13 [1.934]



IN-PROCESS 2 FOR W1  
FILL C-401-01-01-X



IN-PROCESS 2 FOR W2  
FILL C-401-01-01-X

**PROPRIETARY NOTE**  
THIS DOCUMENT CONTAINS CONFIDENTIAL AND PROPRIETARY INFORMATION AND ALL DESIGN, MANUFACTURING, REPRODUCTION, USE, PATENT RIGHTS AND SALES RIGHTS ARE EXPRESSLY RESERVED BY SAMTEC, INC. THIS DOCUMENT SHALL NOT BE DISCLOSED, IN WHOLE OR PART, TO ANY UNAUTHORIZED PERSON OR ENTITY NOR REPRODUCED, TRANSFERRED OR INCORPORATED IN ANY OTHER PROJECT IN ANY MANNER WITHOUT THE EXPRESS WRITTEN CONSENT OF SAMTEC, INC.

DO NOT SCALE DRAWING

SHEET SCALE: 3:1

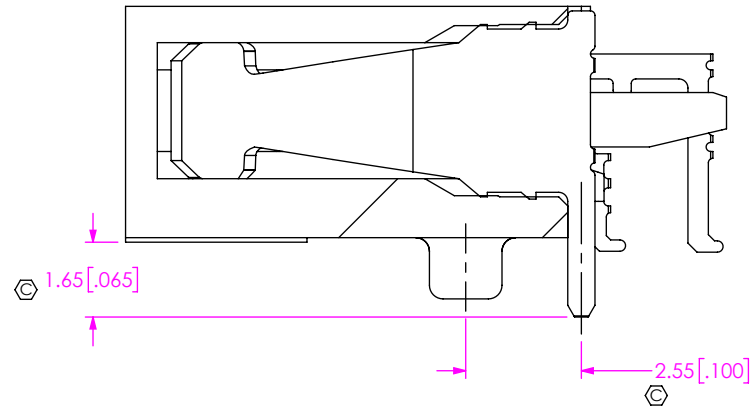


520 PARK EAST BLVD, NEW ALBANY, IN 47150  
PHONE: 812-944-6733 FAX: 812-948-5047  
e-Mail info@SAMTEC.com code 55322

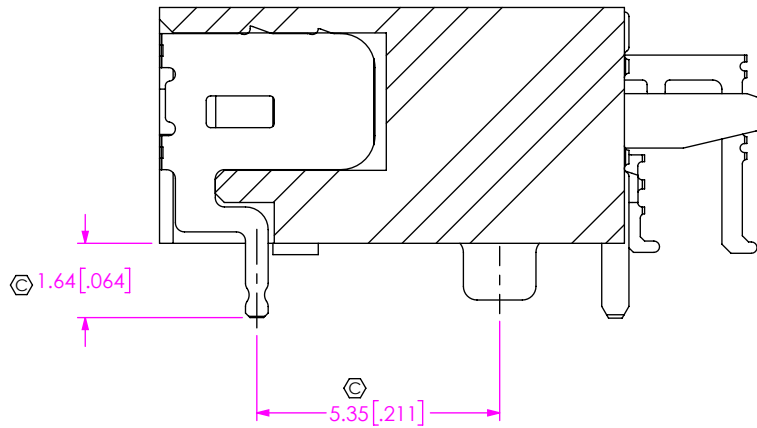
DESCRIPTION:  
0.5mm HIGH SPEED EDGE CARD ASSEMBLY

DWG. NO.  
MEC5-XXX-XX-X-RA-XX-TR

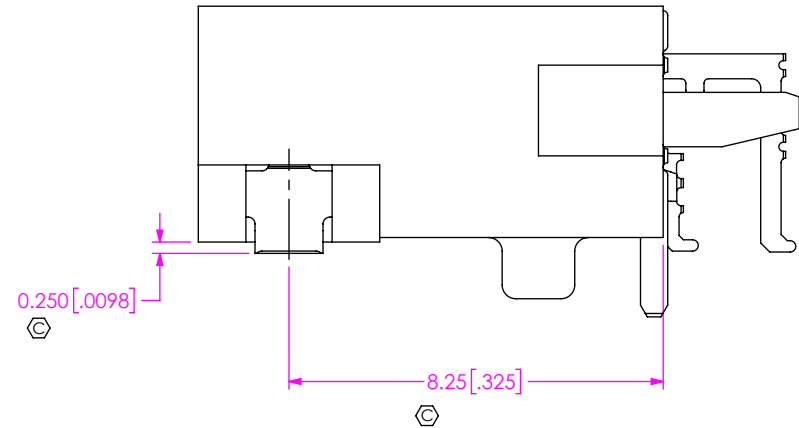
BY: JESSIE W 6/3/2015 SHEET 3 OF 4



IN-PROCESS 3  
FILL C-403-02-T



IN-PROCESS 4 FOR W1  
FILL WT-51-02-T



IN-PROCESS 4 FOR W2  
FILL WT-20-01-T

<p><b>PROPRIETARY NOTE</b></p> <p>THIS DOCUMENT CONTAINS CONFIDENTIAL AND PROPRIETARY INFORMATION AND ALL DESIGN, MANUFACTURING, REPRODUCTION, USE, PATENT RIGHTS AND SALES RIGHTS ARE EXPRESSLY RESERVED BY SAMTEC, INC. THIS DOCUMENT SHALL NOT BE DISCLOSED, IN WHOLE OR PART, TO ANY UNAUTHORIZED PERSON OR ENTITY NOR REPRODUCED, TRANSFERRED OR INCORPORATED IN ANY OTHER PROJECT IN ANY MANNER WITHOUT THE EXPRESS WRITTEN CONSENT OF SAMTEC, INC.</p>	<p><b>samtec</b></p> <p>520 PARK EAST BLVD, NEW ALBANY, IN 47150 PHONE: 812-944-6733 FAX: 812-948-5047 e-Mail info@SAMTEC.com code 55322</p>
<p>SHEET SCALE: 3:1</p>	<p>DESCRIPTION: 0.5mm HIGH SPEED EDGE CARD ASSEMBLY</p>
	<p>DWG. NO. <b>MEC5-XXX-XX-X-RA-XX-TR</b></p> <p>BY: JESSIE W 6/3/2015 SHEET 4 OF 4</p>

Компания «Life Electronics» занимается поставками электронных компонентов импортного и отечественного производства от производителей и со складов крупных дистрибьюторов Европы, Америки и Азии.

С конца 2013 года компания активно расширяет линейку поставок компонентов по направлению коаксиальный кабель, кварцевые генераторы и конденсаторы (керамические, пленочные, электролитические), за счёт заключения дистрибьюторских договоров

Мы предлагаем:

- Конкурентоспособные цены и скидки постоянным клиентам.
- Специальные условия для постоянных клиентов.
- Подбор аналогов.
- Поставку компонентов в любых объемах, удовлетворяющих вашим потребностям.
- Приемлемые сроки поставки, возможна ускоренная поставка.
- Доставку товара в любую точку России и стран СНГ.
- Комплексную поставку.
- Работу по проектам и поставку образцов.
- Формирование склада под заказчика.
- Сертификаты соответствия на поставляемую продукцию (по желанию клиента).
- Тестирование поставляемой продукции.
- Поставку компонентов, требующих военную и космическую приемку.
- Входной контроль качества.
- Наличие сертификата ISO.

В составе нашей компании организован Конструкторский отдел, призванный помогать разработчикам, и инженерам.

Конструкторский отдел помогает осуществить:

- Регистрацию проекта у производителя компонентов.
- Техническую поддержку проекта.
- Защиту от снятия компонента с производства.
- Оценку стоимости проекта по компонентам.
- Изготовление тестовой платы монтаж и пусконаладочные работы.



Тел: +7 (812) 336 43 04 (многоканальный)  
Email: [org@lifeelectronics.ru](mailto:org@lifeelectronics.ru)