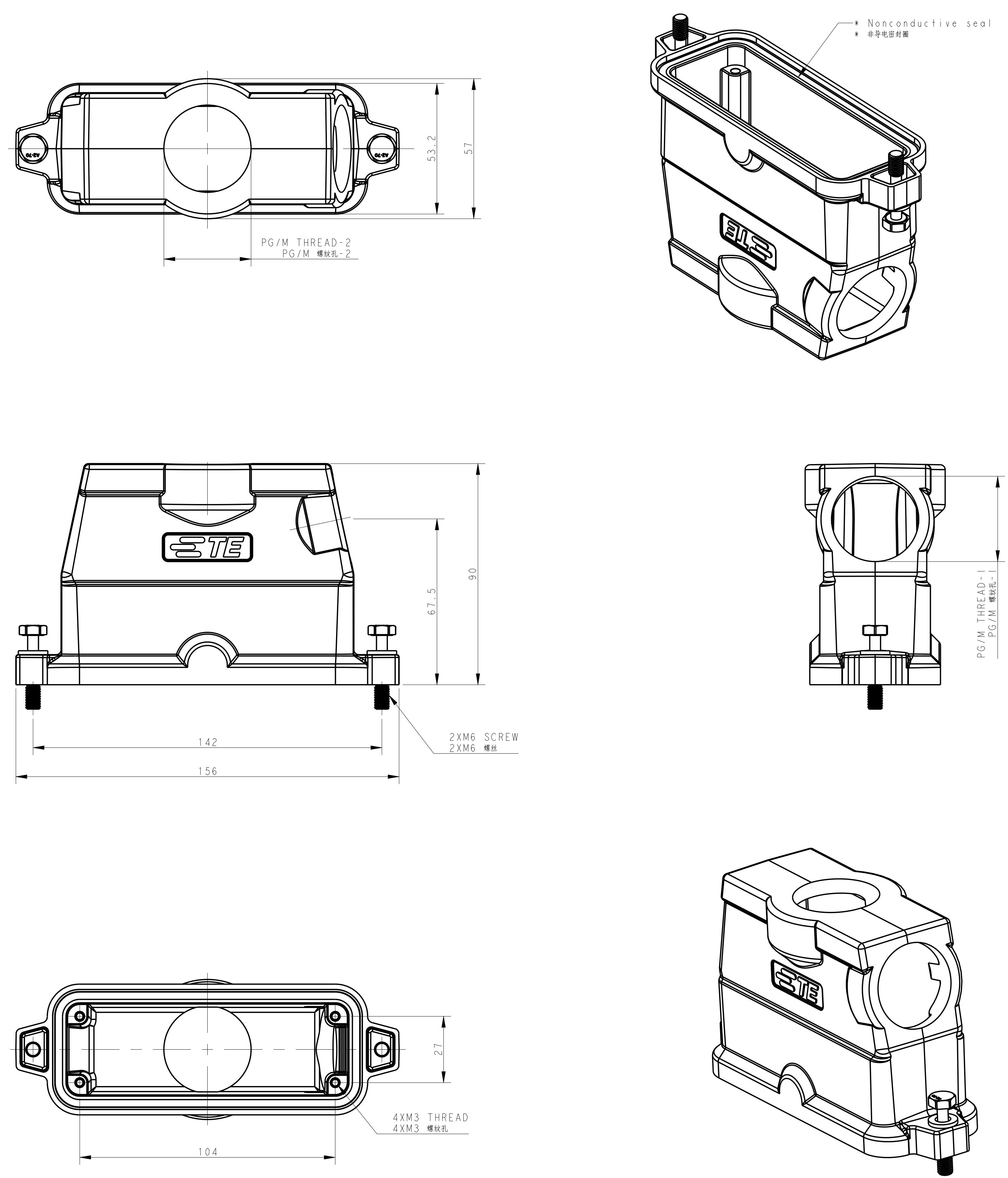


TYPE 1 类型 1

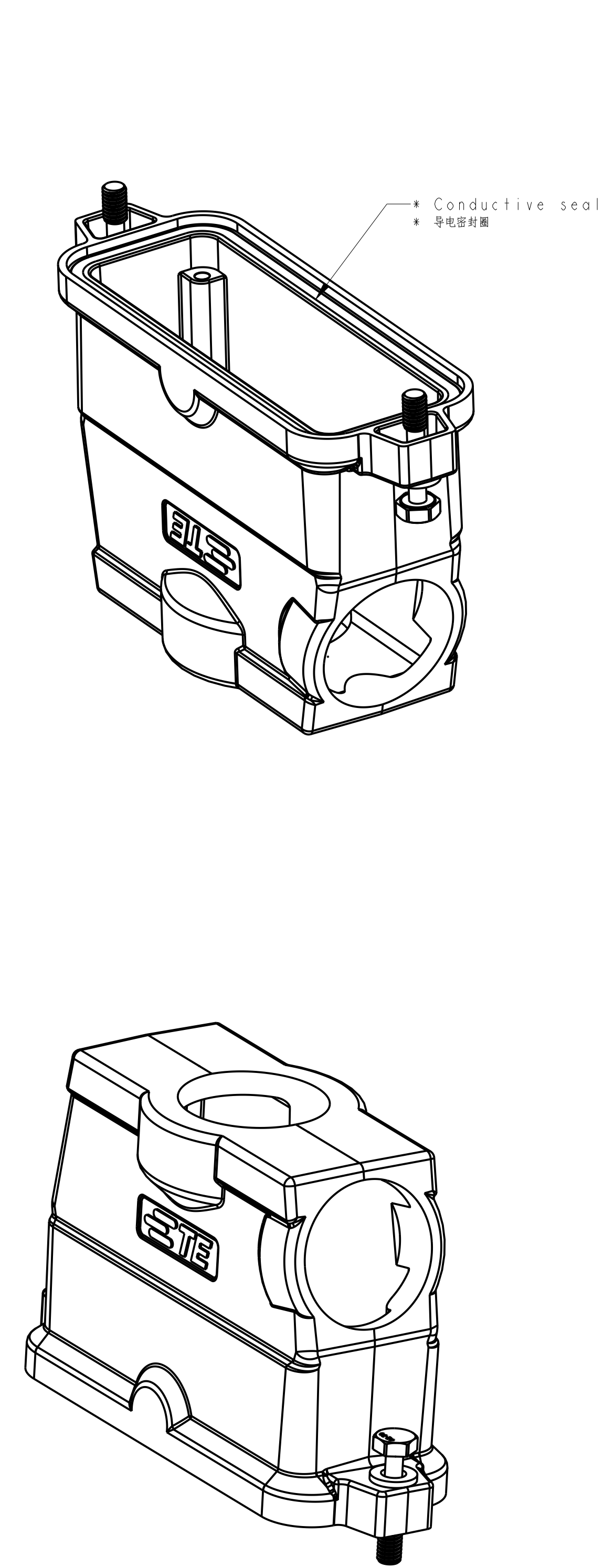
With nonconductive seal/带非导电密封胶



All dimension is same as TYPE 1, except those defined in this TYPE
 除了在本类型中定义的尺寸外, 其他尺寸同类型 1

TYPE 2 类型 2

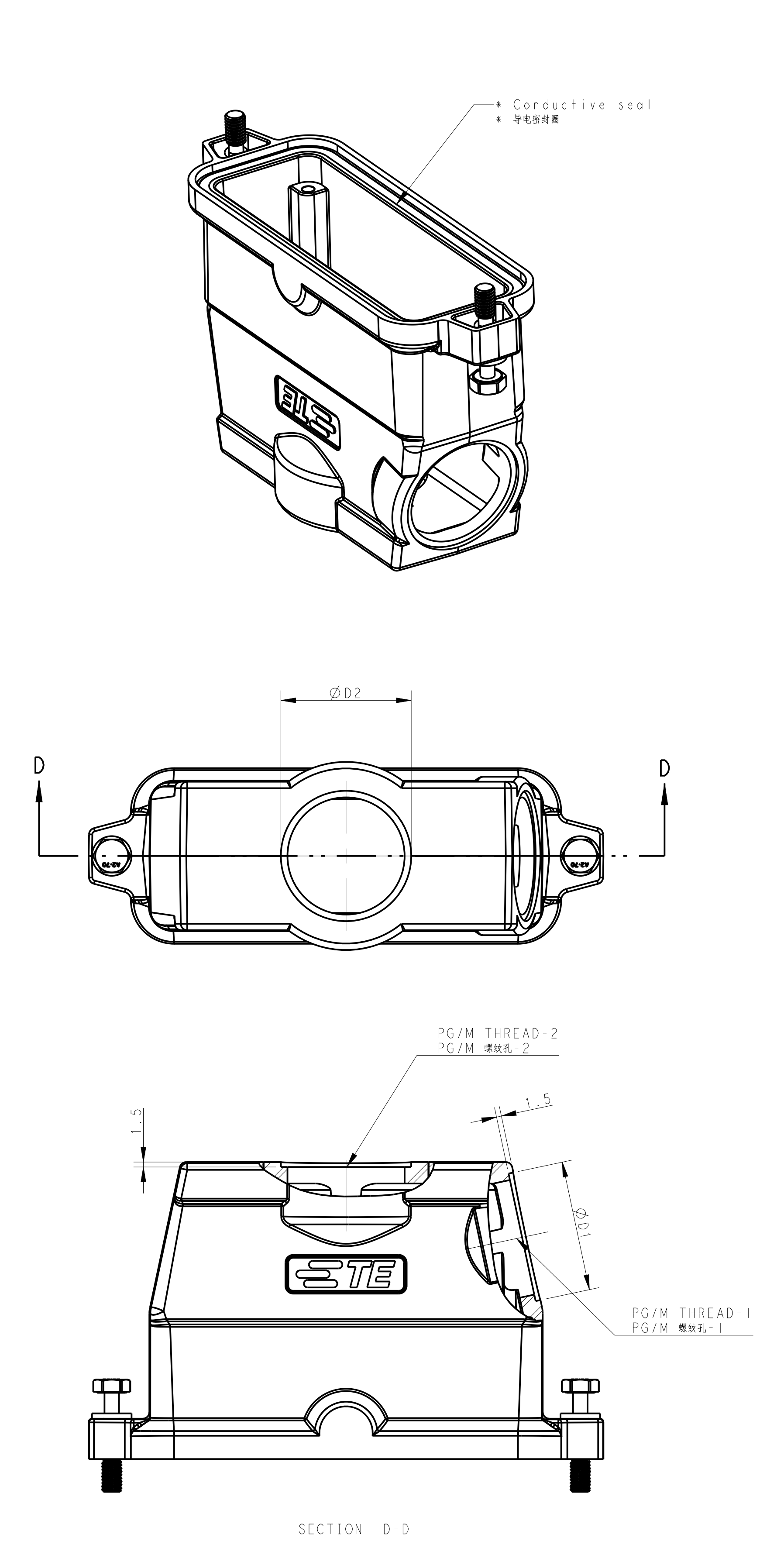
With conductive seal/带导电密封胶



All dimension is same as TYPE 1, except those defined in this TYPE
 除了在本类型中定义的尺寸外, 其他尺寸同类型 1

TYPE 3 类型 3

With conductive seal/带导电密封胶

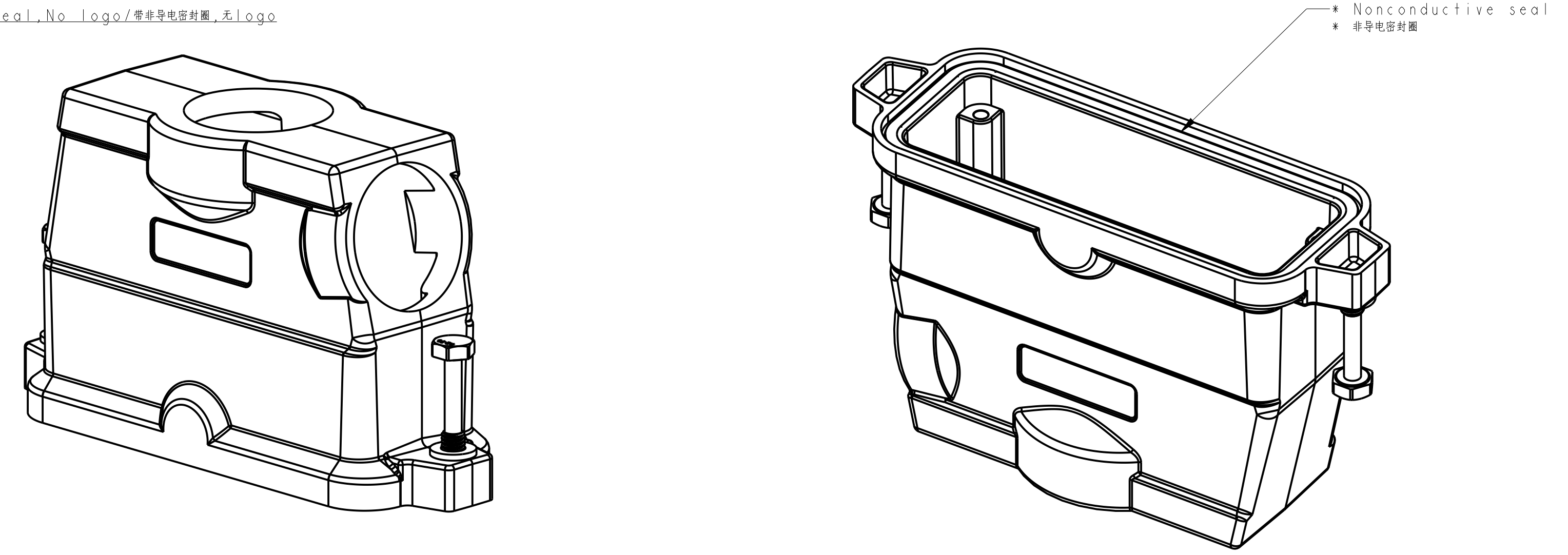


All dimension is same as TYPE 1, except those defined in this TYPE
 除了在本类型中定义的尺寸外, 其他尺寸同类型 1

REVISIONS				
REV	DATE	DESCRIPTION	BY	APPD
B2	ECR-18-010109			
B3	ECR-18-009564			
B4	ECR-18-017123			
B5	ECR-19-007133			

TYPE 4 类型 4

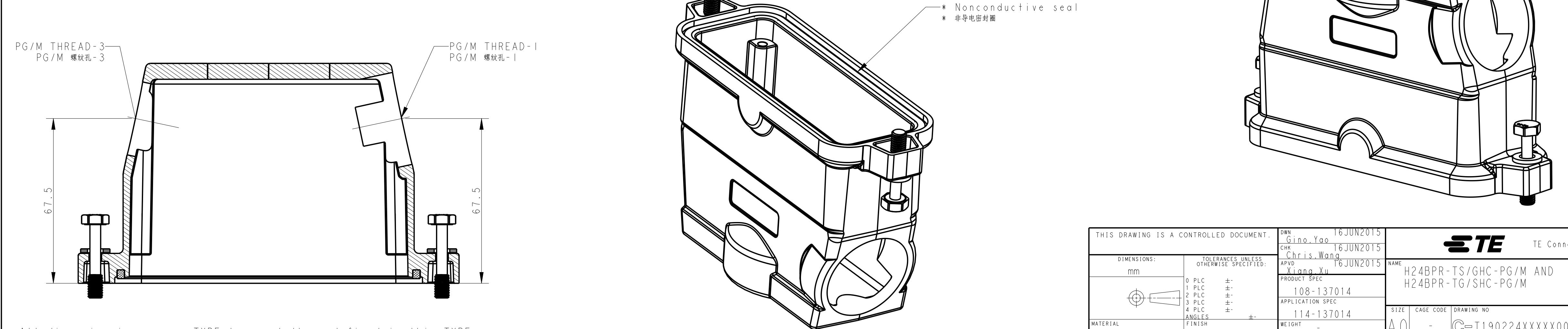
With nonconductive seal, No logo/带非导电密封胶, 无Logo



All dimension is same as TYPE 1, except those defined in this TYPE
 除了在本类型中定义的尺寸外, 其他尺寸同类型 1

TYPE 5 类型 5

With nonconductive seal, Two side entry, No logo/带非导电密封胶, 双侧进, 无Logo



All dimension is same as TYPE 1, except those defined in this TYPE
 除了在本类型中定义的尺寸外, 其他尺寸同类型 1

THIS DRAWING IS A CONTROLLED DOCUMENT.		DATE: 16 JUN 2015	BY: G.Luo_Yan	APPD: T6 JUN 2015	TE Connectivity H248PR-TS/GHC-PG/M AND H248PR-TG/SHC-PG/M
DIMENSIONS:		DATE: 16 JUN 2015	BY: C.Li_Wang	APPD: T6 JUN 2015	
0 P/C	1 P/C	2 P/C	3 P/C	4 P/C	NAME: H248PR-TS/GHC-PG/M AND H248PR-TG/SHC-PG/M APPLICATION SPEC: 114-137014 WEIGHT: - FINISH: - CUSTOMER DRAWING
MATERIAL:					SCALE: 1:1 SHEET: 1 of 2 REV: B5

REVISIONS			
REV	DATE	BY	APPD
-	-	-	-
-	-	-	-
-	-	-	-

NOTES:
 1. TECHNICAL CHARACTERISTICS:
 HOOD MATERIAL: DIE CAST ALUMINIUM ALLOY
 SURFACE TREATMENT: SEE TABLE
 DEGREE OF PROTECTION: IP68 (MATED)

注释:
 1. 技术参数:
 壳体材料: 铝合金
 表面处理: 见表格
 防护等级: IP68 (配合)

TYPE 5 类别5	TYPE 4 类别4	TYPE 3 类别3	TYPE 2 类别2	TYPE 1 类别1				
T1912243240-001 POWDER COATED, DEEP GREY 表面喷涂, 深灰色	H24BPR-TSHC-M32/M40	H24BPR HOOD, CENTER LOCKING, TWO SIDE ENTRY M32/M40, POWDER COATED, DEEP GREY, NO LOGO H24BPR上盖, 中翻锁紧, 顶部侧出M32/M40, 深灰色粉末喷涂, 无LOGO	M40	-	M32	-	-	-
T1902243240-001 POWDER COATED, DEEP GREY 表面喷涂, 深灰色	H24BPR-TG/SHC-M32/M40	H24BPR HOOD, CENTER LOCKING, TOP ENTRY M32SIDE ENTRY M40, POWDER COATED, DEEP GREY, NO LOGO H24BPR上盖, 中翻锁紧, 顶部M32侧出M40, 深灰色粉末喷涂, 无LOGO	M40	M32	-	-	-	-
T1902244025-001 POWDER COATED, DEEP GREY 表面喷涂, 深灰色	H24BPR-TG/SHC-M40/M25	H24BPR HOOD, CENTER LOCKING, TOP ENTRY M40SIDE ENTRY M25, POWDER COATED, DEEP GREY, NO LOGO H24BPR上盖, 中翻锁紧, 顶部M40侧出M25, 深灰色粉末喷涂, 无LOGO	M25	M40	-	-	-	-
T1902242232-001 POWDER COATED, DEEP GREY 表面喷涂, 深灰色	H24BPR-TS/GHC-2M32	H24BPR HOOD, CENTER LOCKING, SIDE/TOP ENTRY 2M32, POWDER COATED, DEEP GREY, NO LOGO H24BPR上盖, 中翻锁紧, 侧/顶出2M32, 深灰色粉末喷涂, 无LOGO	M32	M32	-	-	-	-
T1902242240-001 POWDER COATED, DEEP GREY 表面喷涂, 深灰色	H24BPR-TS/GHC-2M40	H24BPR HOOD, CENTER LOCKING, SIDE/TOP ENTRY 2M40, POWDER COATED, DEEP GREY, NO LOGO H24BPR上盖, 中翻锁紧, 侧/顶出2M40, 深灰色粉末喷涂, 无LOGO	M40	M40	-	-	-	-
T1902241232-100 POWDER COATED, SILVER WHITE 表面喷涂, 银白色	H24BPR-TS/GHC-2M32	H24BPR HOOD, CENTER LOCKING, SIDE/TOP ENTRY 2M32, POWDER COATED, SILVER WHITE, CONDUCTIVE, THREAD HOLE WITH STEP H24BPR上盖, 中翻锁紧, 侧/顶出2M32, 银色粉末喷涂, 导电孔, 螺孔无台阶	M32	M32	-	-	34	34
T1902240232-100 POWDER COATED, BLACK 表面喷涂, 黑色	H24BPR-TS/GHC-2M32	H24BPR HOOD, CENTER LOCKING, SIDE/TOP ENTRY 2M32, POWDER COATED, BLACK, CONDUCTIVE, THREAD HOLE WITH STEP H24BPR上盖, 中翻锁紧, 侧/顶出2M32, 黑色粉末喷涂, 导电孔, 螺孔无台阶	M32	M32	-	-	34	34
T1902241229-100 POWDER COATED, SILVER WHITE 表面喷涂, 银白色	H24BPR-TS/GHC-2PG29	H24BPR HOOD, CENTER LOCKING, SIDE/TOP ENTRY 2PG29, POWDER COATED, SILVER WHITE, CONDUCTIVE, THREAD HOLE WITH STEP H24BPR上盖, 中翻锁紧, 侧/顶出2PG29, 银色粉末喷涂, 导电孔, 螺孔无台阶	PG29	PG29	-	-	39.5	39.5
T1902240229-100 POWDER COATED, BLACK 表面喷涂, 黑色	H24BPR-TS/GHC-2PG29	H24BPR HOOD, CENTER LOCKING, SIDE/TOP ENTRY 2PG29, POWDER COATED, BLACK, CONDUCTIVE, THREAD HOLE WITH STEP H24BPR上盖, 中翻锁紧, 侧/顶出2PG29, 黑色粉末喷涂, 导电孔, 螺孔无台阶	PG29	PG29	-	-	39.5	39.5
T1902240240-100 POWDER COATED, BLACK 表面喷涂, 黑色	H24BPR-TS/GHC-2M40	H24BPR HOOD, CENTER LOCKING, SIDE/TOP ENTRY 2M40, POWDER COATED, BLACK, CONDUCTIVE, THREAD HOLE WITH STEP H24BPR上盖, 中翻锁紧, 侧/顶出2M40, 黑色粉末喷涂, 导电孔, 螺孔无台阶	M40	M40	-	-	-	-
T1902242240-000 POWDER COATED, GREY 表面喷涂, 灰色	H24BPR-TS/GHC-2M40	H24BPR HOOD, CENTER LOCKING, SIDE/TOP ENTRY 2M40, POWDER COATED, GREY H24BPR上盖, 中翻锁紧, 侧/顶出2M40, 灰色粉末喷涂	M40	M40	-	-	-	-
T1902240240-000 POWDER COATED, BLACK 表面喷涂, 黑色	H24BPR-TS/GHC-2M40	H24BPR HOOD, CENTER LOCKING, SIDE/TOP ENTRY 2M40, POWDER COATED, BLACK H24BPR上盖, 中翻锁紧, 侧/顶出2M40, 黑色粉末喷涂	M40	M40	-	-	-	-
T1902244025-000 POWDER COATED, SILVER WHITE 表面喷涂, 银白色	H24BPR-TG/SHC-M40/M25	H24BPR HOOD, CENTER LOCKING, TOP ENTRY M40SIDE ENTRY M25, POWDER COATED, SILVER WHITE H24BPR上盖, 中翻锁紧, 顶部M40侧出M25, 银色粉末喷涂	M25	M40	-	-	-	-
T1902244020-000 POWDER COATED, SILVER WHITE 表面喷涂, 银白色	H24BPR-TG/SHC-M40/M20	H24BPR HOOD, CENTER LOCKING, TOP ENTRY M40SIDE ENTRY M20, POWDER COATED, SILVER WHITE H24BPR上盖, 中翻锁紧, 顶部M40侧出M20, 银色粉末喷涂	M20	M40	-	-	-	-
T1902243240-000 POWDER COATED, SILVER WHITE 表面喷涂, 银白色	H24BPR-TG/SHC-M32/M40	H24BPR HOOD, CENTER LOCKING, TOP ENTRY M32SIDE ENTRY M40 HOOD, POWDER COATED, SILVER WHITE H24BPR上盖, 中翻锁紧, 顶部M32侧出M40上盖, 银白色粉末喷涂	M40	M32	-	-	-	-
T1902242540-000 POWDER COATED, SILVER WHITE 表面喷涂, 银白色	H24BPR-TG/SHC-M25/M40	H24BPR HOOD, CENTER LOCKING, TOP ENTRY M25SIDE ENTRY M40 HOOD, POWDER COATED, SILVER WHITE H24BPR上盖, 中翻锁紧, 顶部M25侧出M40上盖, 银白色粉末喷涂	M40	M25	-	-	-	-
T1902242040-000 POWDER COATED, SILVER WHITE 表面喷涂, 银白色	H24BPR-TG/SHC-M20/M40	H24BPR HOOD, CENTER LOCKING, TOP ENTRY M20SIDE ENTRY M40 HOOD, POWDER COATED, SILVER WHITE H24BPR上盖, 中翻锁紧, 顶部M20侧出M40上盖, 银白色粉末喷涂	M40	M20	-	-	-	-
T1902241240-000 POWDER COATED, SILVER WHITE 表面喷涂, 银白色	H24BPR-TS/GHC-2M40	H24BPR HOOD, CENTER LOCKING, SIDE/TOP ENTRY 2M40, POWDER COATED, SILVER WHITE H24BPR上盖, 中翻锁紧, 侧/顶出2M40, 银白色粉末喷涂	M40	M40	-	-	-	-
T1902241232-000 POWDER COATED, SILVER WHITE 表面喷涂, 银白色	H24BPR-TS/GHC-2M32	H24BPR HOOD, CENTER LOCKING, SIDE/TOP ENTRY 2M32, POWDER COATED, SILVER WHITE H24BPR上盖, 中翻锁紧, 侧/顶出2M32, 银白色粉末喷涂	M32	M32	-	-	-	-
T1902241229-000 POWDER COATED, SILVER WHITE 表面喷涂, 银白色	H24BPR-TS/GHC-2PG29	H24BPR HOOD, CENTER LOCKING, SIDE/TOP ENTRY 2PG29, POWDER COATED, SILVER WHITE H24BPR上盖, 中翻锁紧, 侧/顶出2PG29, 银白色粉末喷涂	PG29	PG29	-	-	-	-

PART NUMBER 料号	SURFACE 表面处理	PART DESCRIPTION 描述	PG/M THREAD-1 PG/M 螺柱-1	PG/M THREAD-2 PG/M 螺柱-2	PG/M THREAD-3 PG/M 螺柱-3	ØD2	ØD1	TYPE 类型
THIS DRAWING IS A CONTROLLED DOCUMENT. 此图是受控文件。			DATE 日期	REV 版本	APPROVED BY 批准人	CUSTOMER DRAWING		
DIMENSIONS: (mm)			DIMENSIONS: (mm)			DIMENSIONS: (mm)		
MATERIAL: 材料			FINISH: 表面处理			WEIGHT: 重量		
STE			TE Connectivity			H24BPR-TS/GHC-PG/M AND H24BPR-TG/SHC-PG/M		
108-137014			114-137014			108-137014		
SCALE: 1:1			SHEET 2 OF 2			REV B5		

Компания «Life Electronics» занимается поставками электронных компонентов импортного и отечественного производства от производителей и со складов крупных дистрибьюторов Европы, Америки и Азии.

С конца 2013 года компания активно расширяет линейку поставок компонентов по направлению коаксиальный кабель, кварцевые генераторы и конденсаторы (керамические, пленочные, электролитические), за счёт заключения дистрибьюторских договоров

Мы предлагаем:

- Конкуренеспособные цены и скидки постоянным клиентам.
- Специальные условия для постоянных клиентов.
- Подбор аналогов.
- Поставку компонентов в любых объемах, удовлетворяющих вашим потребностям.
- Приемлемые сроки поставки, возможна ускоренная поставка.
- Доставку товара в любую точку России и стран СНГ.
- Комплексную поставку.
- Работу по проектам и поставку образцов.
- Формирование склада под заказчика.
- Сертификаты соответствия на поставляемую продукцию (по желанию клиента).
- Тестирование поставляемой продукции.
- Поставку компонентов, требующих военную и космическую приемку.
- Входной контроль качества.
- Наличие сертификата ISO.

В составе нашей компании организован Конструкторский отдел, призванный помогать разработчикам, и инженерам.

Конструкторский отдел помогает осуществить:

- Регистрацию проекта у производителя компонентов.
- Техническую поддержку проекта.
- Защиту от снятия компонента с производства.
- Оценку стоимости проекта по компонентам.
- Изготовление тестовой платы монтаж и пусконаладочные работы.



Тел: +7 (812) 336 43 04 (многоканальный)

Email: org@lifeelectronics.ru