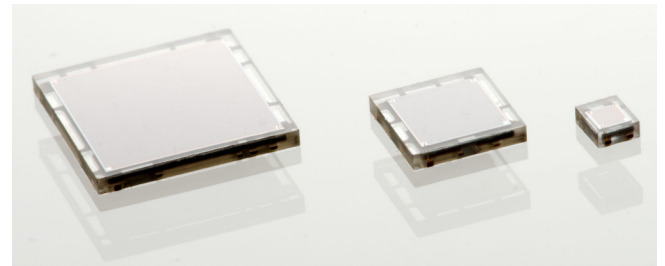


Low Noise, Blue-Sensitive Silicon Photomultipliers

SensL's C-Series low-light sensors feature an industry-leading low dark-count rate combined with a high PDE that is extended much further into the blue part of the spectrum using a high-volume, P-on-N silicon process. For ultrafast timing applications select C-Series sensors have a fast output that can have a rise time of 300ps and a pulse width of 600ps. The C-Series is available in different sensor sizes (1mm, 3mm and 6mm) and packaged in a variety of formats, including a 4-side tileable surface mount (SMT) package that is compatible with industry standard, lead-free, reflow soldering processes. C-Series sensors are pin-for-pin compatible with the B-Series.

The C-Series Silicon Photomultipliers (SiPM) form a range of high gain, single-photon sensitive, UV-to-visible light sensors. They have performance characteristics similar to a conventional PMT, while benefiting from the practical advantages of solid-state technology: low operating voltage, excellent temperature stability, robustness, compactness, output uniformity, and low cost. For more information on the SensL products, please refer to the website, www.sensl.com.



PERFORMANCE PARAMETERS

Sensor Size	Microcell Size	Parameter ¹	Overvoltage	Min.	Typ.	Max.	Units
1mm	10μ, 20μ, 35μ, 50μ	Breakdown Voltage (Vbr) ³		24.2		24.7	V
3mm	20μ, 35μ, 50μ						
6mm	35μ						
1mm	10μ, 20μ, 35μ, 50μ	Recommended overvoltage Range (Voltage above Vbr) ²		1.0		5.0	V
3mm	20μ, 35μ, 50μ						
6mm	35μ						
1mm	10μ, 20μ, 35μ, 50μ	Spectral Range ⁴		300		950	nm
3mm	20μ, 35μ, 50μ						
6mm	35μ						
1mm	10μ, 20μ, 35μ, 50μ	Peak Wavelength (λ _p)			420		nm
3mm	20μ, 35μ, 50μ						
6mm	35μ						

¹ All measurements made at 2.5V overvoltage and 21°C unless otherwise stated.

² Please consult the maximum current levels on page 6 when selecting the overvoltage to apply.

³ The breakdown voltage (Vbr) is defined as the value of the voltage intercept of a straight line fit to a plot of \sqrt{I} vs V, where I is the current and V is the over-voltage.

⁴ The range where PDE >1% at Vbr + 5.0V.

Sensor Size	Microcell Size	Parameter	Overtolerance	Min.	Typ.	Max.	Units		
1mm	10μ	PDE ⁵ at λ _p	Vbr + 2.5V		14		%		
	20μ				24		%		
	35μ				31		%		
	50μ				35		%		
1mm	10μ		Vbr + 5.0V		18		%		
	20μ				31		%		
	35μ				41		%		
	50μ				47		%		
3mm	20μ		Vbr + 2.5V		24		%		
	35μ				31		%		
	50μ				35		%		
3mm	20μ		Vbr + 5.0V		31		%		
	35μ				41		%		
	50μ				47		%		
6mm	35μ		Vbr + 2.5V		31		%		
6mm	35μ		Vbr + 5.0V		41		%		
1mm	10μ	Gain (anode to cathode readout)	Vbr + 2.5V		2x10 ⁵				
	20μ				1x10 ⁶				
	35μ				3x10 ⁶				
	50μ				6x10 ⁶				
3mm	20μ				1x10 ⁶				
	35μ				3x10 ⁶				
	50μ				6x10 ⁶				
6mm	35μ				3x10 ⁶				
1mm	10μ			Dark Current ⁶	Vbr + 2.5V		1	3	nA
	20μ						5	16	nA
	35μ		15			49	nA		
	50μ		32			102	nA		
3mm	20μ		50			142	nA		
	35μ		154			443	nA		
	50μ		319			914	nA		
6mm	35μ		618			1750	nA		
1mm	10μ	Dark Count Rate	Vbr + 2.5V				30	96	kHz
	20μ						30	96	kHz
	35μ				30	96	kHz		
	50μ				30	96	kHz		
3mm	20μ				300	860	kHz		
	35μ				300	860	kHz		
	50μ				300	860	kHz		
6mm	35μ				1200	3400	kHz		

⁵ Note that the PDE does not contain contributions from afterpulsing or crosstalk.

⁶ Dark current derived from dark count data as $DC \cdot M \cdot q \cdot (1 + CT)$, where DC is dark count, M is gain, q is the charge of an electron, and CT is cross talk.

Sensor Size	Microcell Size	Parameter	Overvoltage	Min.	Typ.	Max.	Units		
1mm	10μ, 20μ, 35μ, 50μ	Rise Time - Fast Output ⁷			0.3		ns		
3mm	20μ, 35μ, 50μ				0.6		ns		
6mm	35μ				1.0		ns		
1mm	10μ, 20μ, 35μ, 50μ	Signal Pulse Width - Fast Output (FWHM)			0.6		ns		
3mm	20μ, 35μ, 50μ				1.5		ns		
6mm	35μ				3.2		ns		
1mm	10μ	Microcell recharge time constant ⁸			5		ns		
	20μ				23		ns		
	35μ				82		ns		
	50μ				159		ns		
3mm	20μ				23		ns		
	35μ				82		ns		
	50μ				159		ns		
6mm	35μ				95		ns		
1mm	10μ			Capacitance ⁹ (anode-cathode)	Vbr + 2.5V		50		pF
	20μ						90		pF
	35μ		100				pF		
	50μ		110				pF		
3mm	20μ		770				pF		
	35μ		850				pF		
	50μ		920				pF		
6mm	35μ		3400				pF		
1mm	10μ	Capacitance ⁹ (fast terminal to cathode)	Vbr + 2.5V				1		pF
	20μ						1		pF
	35μ						1		pF
	50μ						1		pF
3mm	20μ				20		pF		
	35μ				12		pF		
	50μ				7		pF		
6mm	35μ				48		pF		
1mm	10μ, 20μ, 35μ, 50μ			Temperature dependence of Vbr			21.5		mV/°C
3mm	20μ, 35μ, 50μ								
6mm	35μ								
1mm	10μ, 20μ, 35μ, 50μ			Temperature dependence of Gain ¹⁰			-0.8		%/°C
3mm	20μ, 35μ, 50μ								
6mm	35μ								

⁷ Measured as time to go from 10% to 90% of the peak amplitude.

⁸ RC charging time constant of the microcell (τ)

⁹ Internal capacitance of the sensor. Typically add 2-3pF for sensor in package. Listed by unique microcell size for each part version.

¹⁰ Quoted as the percentage change per degree C from the measured value at 21°C.

Sensor Size	Microcell Size	Parameter	Overvoltage	Min.	Typ.	Max.	Units		
1mm	10 μ	Crosstalk	Vbr + 2.5V		0.6		%		
	20 μ				3		%		
	35 μ				7		%		
	50 μ				10		%		
3mm	20 μ				3		%		
	35 μ				7		%		
	50 μ				10		%		
6mm	35 μ				7		%		
1mm	10 μ			Afterpulsing	Vbr + 2.5V		0.2		%
	20 μ						0.2		%
	35 μ		0.2				%		
	50 μ		0.6				%		
3mm	20 μ		0.2				%		
	35 μ		0.2				%		
	50 μ		0.6				%		
6mm	35 μ		0.2				%		

GENERAL PARAMETERS

	1mm	3mm	6mm
	10010, 10020, 10035, 10050	30020, 30035, 30050	60035
Active area	1 x 1 mm ²	3 x 3 mm ²	6 x 6 mm ²
No. of microcells	10010: 2880 10020: 1296 10035: 504 10050: 282	30020: 10998 30035: 4774 30050: 2668	60035: 18980
Microcell fill factor	10010: 28% 10020: 48% 10035: 64% 10050: 72%	30020: 48% 30035: 64% 30050: 72%	60035: 64%

SMT Package Specifics			
	1mm	3mm	6mm
	10010, 10020, 10035, 10050	30020, 30035, 30050	60035
Package dimensions	1.5 x 1.8 mm ²	4 x 4 mm ²	7 x 7 mm ²
Recommended operating temperature range	-40°C to +85°C		
Maximum storage temperature	+105°C		
Soldering conditions	Lead-free, reflow soldering process compatible (MSL 3 for tape & reel quantities; MSL 4 for tape only qty.) See the SMT Handling Tech Note for more details.		
Encapsulant type	Clear transfer molding compound		
Encapsulant refractive Index	1.59 @ 420nm		

X18 Package Specifics (1mm only)			
	1mm	3mm	6mm
	10010, 10020, 10035, 10050	30020, 30035, 30050	60035
Recommended operating temperature range	-40°C to +85°C		
Maximum storage temperature	+125°C		
Soldering conditions	Soldering iron, maximum of 260°C for no more than 10 sec. See the Soldering Tech Note for more details.		

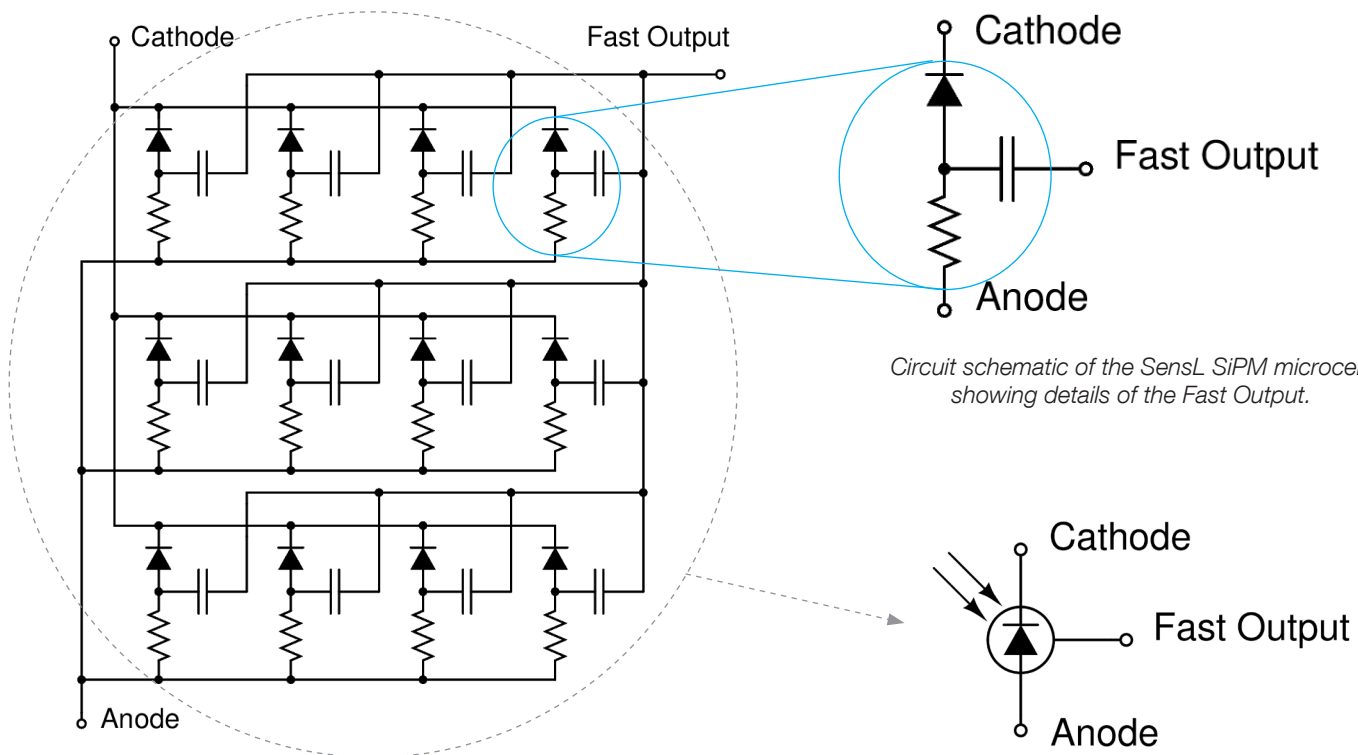
X13 Package Specifics			
	1mm	3mm	6mm
	10035	30035	60035
Recommended operating temperature range	0°C to +40°C		
Maximum storage temperature	+50°C		
Soldering conditions	Soldering iron, max. of 260°C for 5sec, 2mm from ceramic base. See the Soldering Tech Note for more details.		
Encapsulant material	Epoxy		

Maximum current levels for each sensor size and package type			
Package type	1mm	3mm	6mm
	10010, 10020, 10035, 10050	30020, 30035, 30050	60035
SMT	2mA (A1) * 6mA (C1) *	15mA	20mA
X18	4mA	-	-
X13	-	3mA	5mA

* A1 and C1 are package versions. Please consult this [PCN](#) for more information.

CIRCUIT SCHEMATICS

An SiPM is formed of a large number (hundreds or thousands) of microcells. Each microcell is an avalanche photodiode with its own quench resistor and a capacitively coupled fast output. These microcells are arranged in a close-packed array with all of the like terminals (e.g. all of the anodes) summed together. The array of microcells can thus be considered as a single photodiode sensor with three terminals: anode, cathode and fast output.



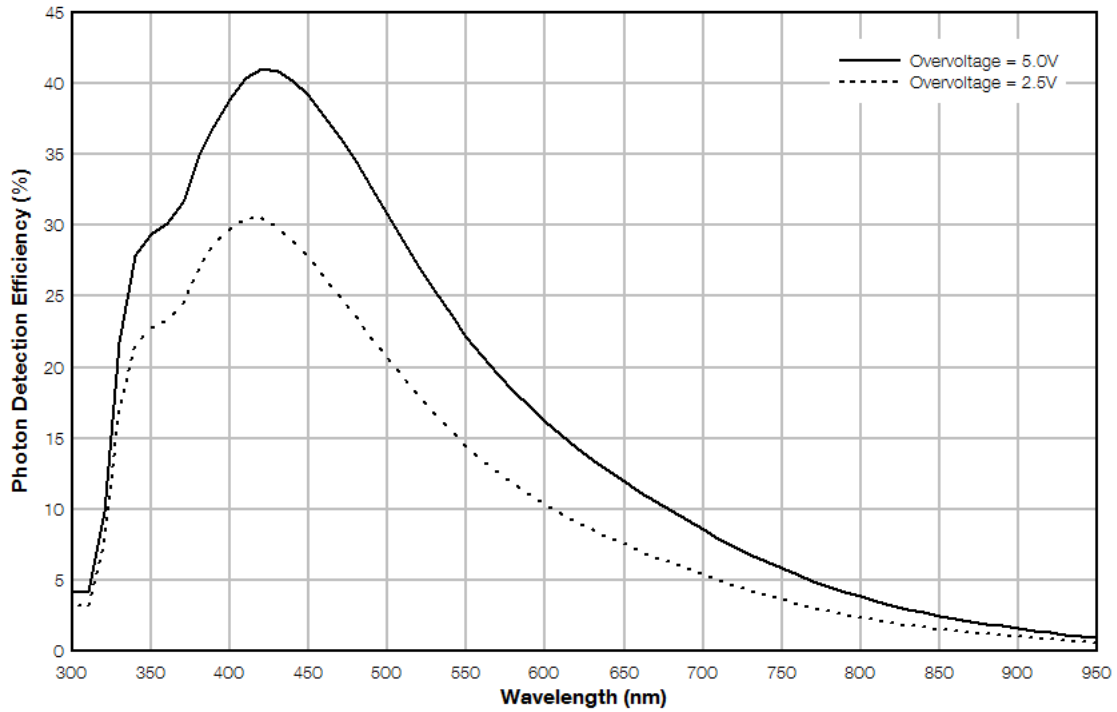
Simplified circuit schematic of the SensL SiPM showing only a 12 microcell example. Typically, SiPM sensors have hundreds or thousands of microcells.

Circuit schematic of the SensL SiPM microcell, showing details of the Fast Output.

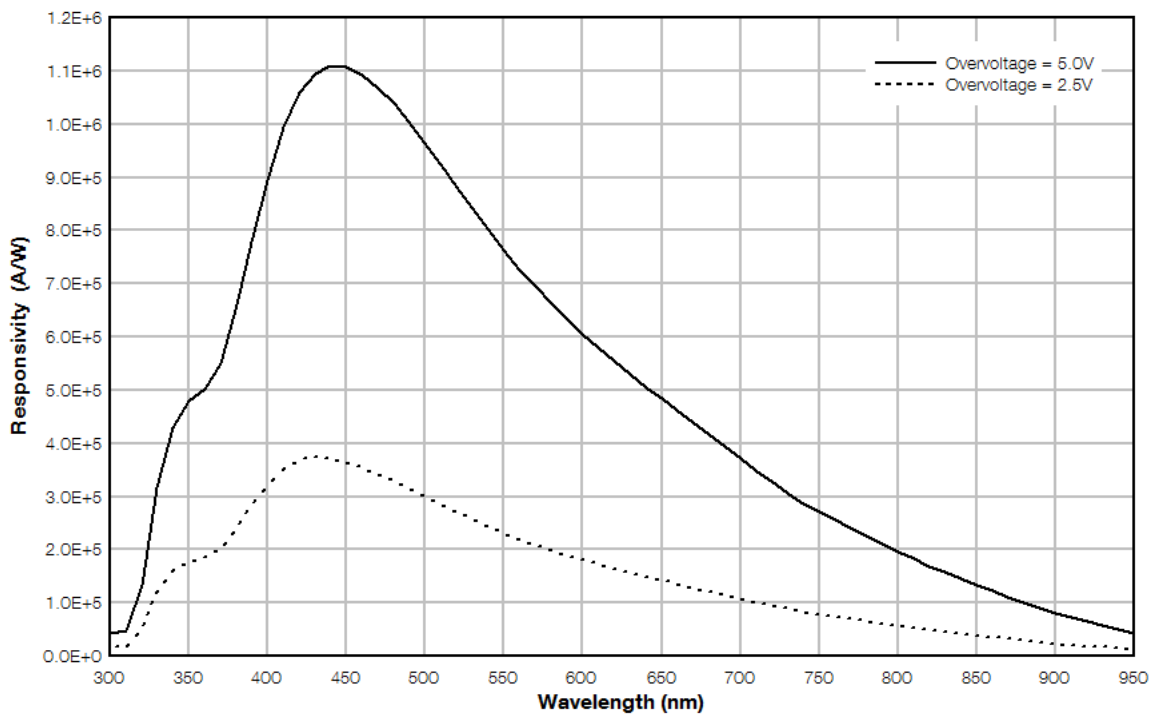
SensL SiPM component symbol.

PERFORMANCE

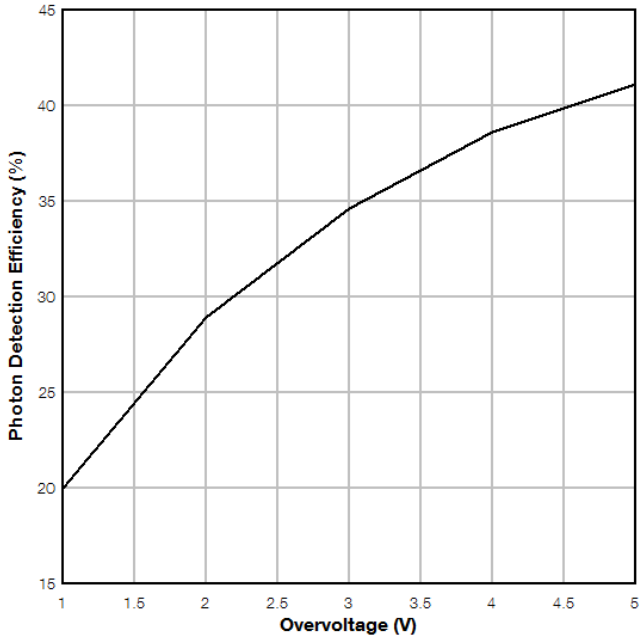
PDE versus Wavelength
MicroFC-30035-SMT



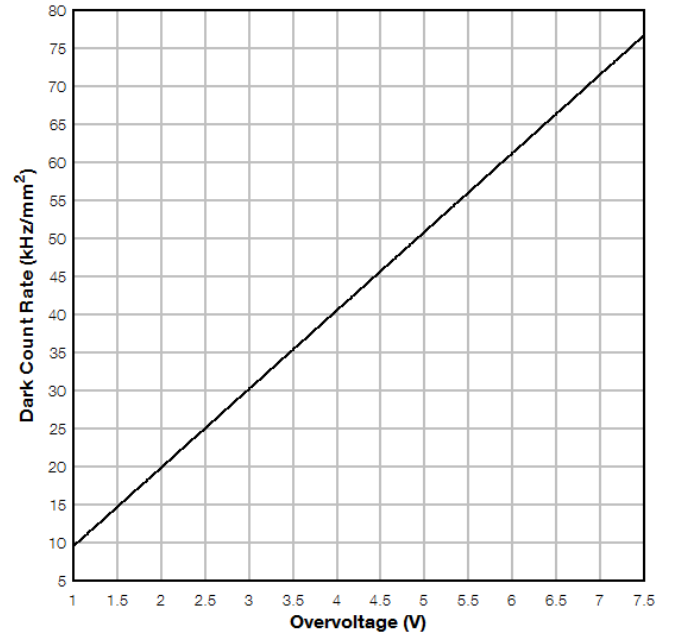
Responsivity versus Wavelength
MicroFC-30035-SMT



PDE at 420nm versus Voltage
MicroFC-30035-SMT

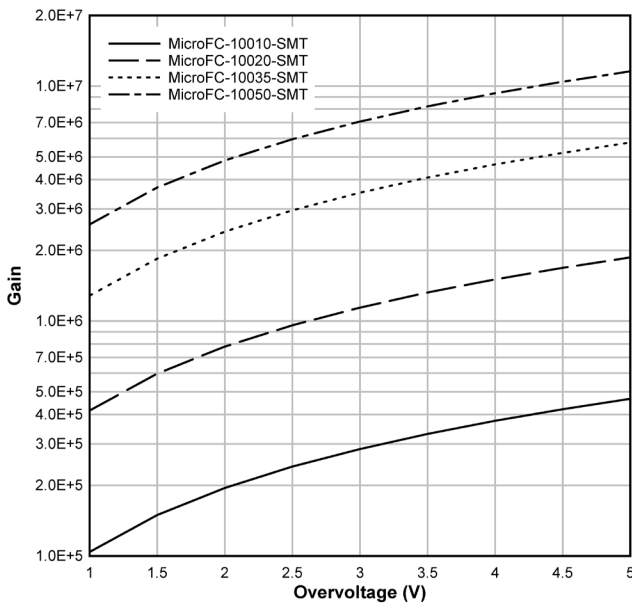


Dark Count Rate versus Overvoltage
MicroFC-30035-SMT (Example Plot)



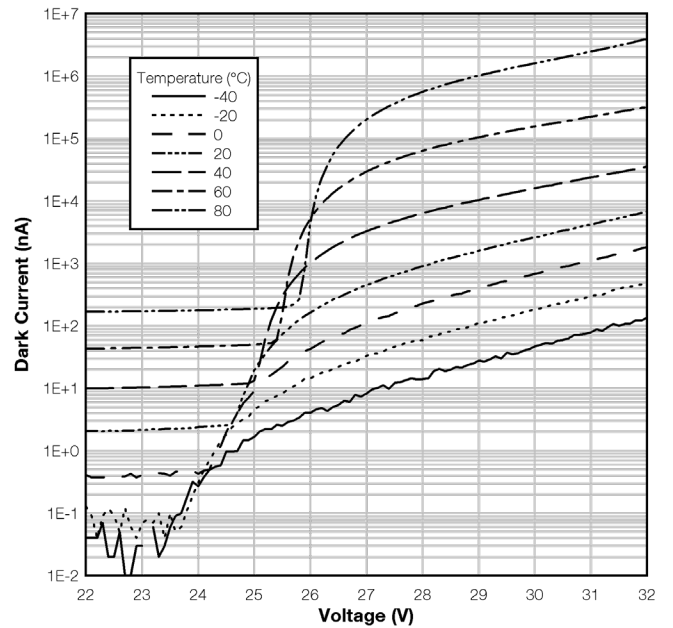
Gain versus Overvoltage

MicroFC-10010-SMT, MicroFC-10020-SMT, MicroFC-10035-SMT, MicroFC-10050-SMT



Dark Current versus Voltage and Temperature

MicroFC-60035-SMT

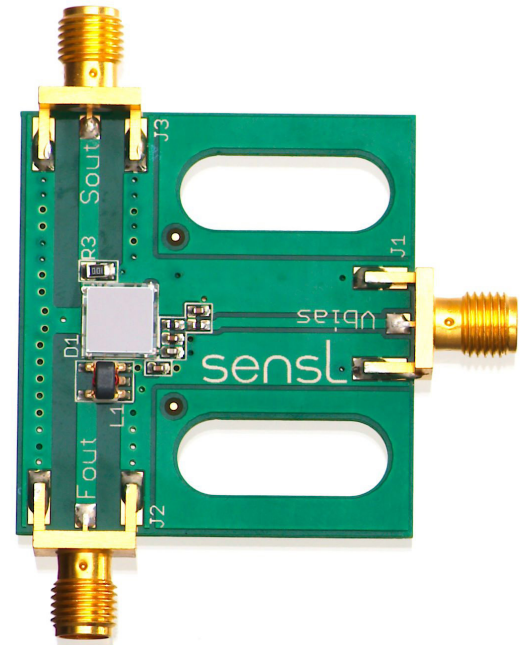


EVALUATION BOARD OPTIONS

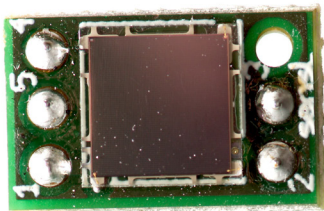
SMA BIASING BOARD (MicroFC-SMA-XXXXX)

The MicroFC-SMA is a printed circuit board (PCB) that can facilitate the evaluation of the C-Series SMT sensors. The board has three female SMA connectors for connecting the bias voltage, the standard output from the anode and the fast output signal. The output signals can be connected directly to a 50Ω-terminated oscilloscope for viewing. The biasing and output signal tracks are laid out in such a way as to preserve the fast timing characteristics of the sensor.

The MicroFC-SMA is recommended for users who require a plug-and-play set-up to quickly evaluate C-Series SMT sensors with optimum timing performance. The board also allows the standard output from the anode to be observed at the same time as the fast output. The outputs can be connected directly to the oscilloscope or measurement device, but external preamplification may be required to boost the signal. The table below lists the SMA board connections. The SMA board electrical schematics are available to download in the [SMT Board Reference Design](#) document.

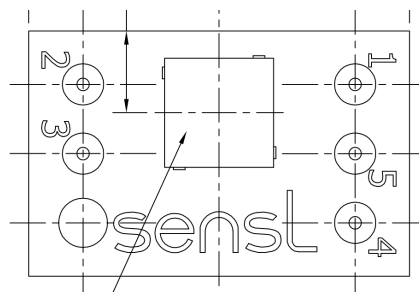
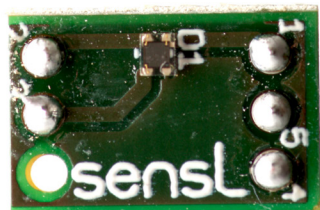
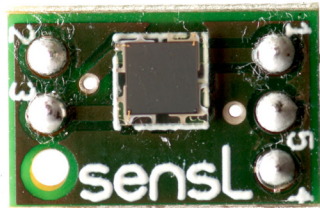


Output	Function
Vbias	positive bias input (cathode)
Fout	fast output
Sout	standard output (anode)



PIN ADAPTER (MicroFC-SMTPA-XXXXX)

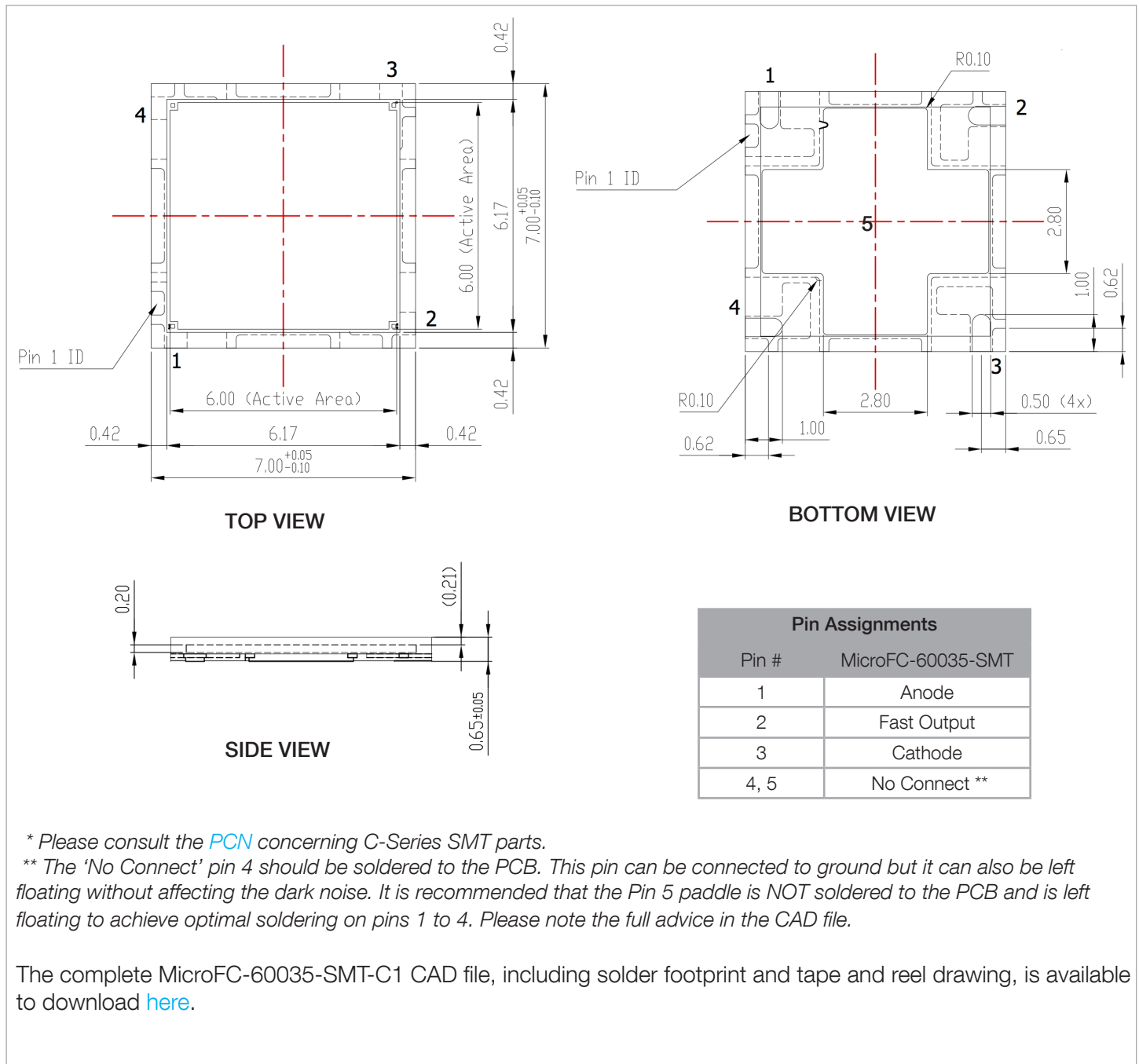
The SMT Pin Adapter board (SMTPA) is a small PCB board that houses the SMT sensor and has through-hole pins to allow for use with standard sockets or probe clips. This product is useful for those needing a quick way to evaluate the C-Series SMT sensors without the need for specialist surface-mount soldering. While this is a 'quick fix' suitable for many evaluations, it should be noted that the timing performance from this board will not be optimized and if the best possible timing performance is required, the MicroFC-SMA-XXXXX is recommended. The pin-out information is shown in the table below and the [C-Series User Manual](#) contains information on biasing the sensor. The SMTPA board electrical schematics are available to download in the [SMT Board Reference Design](#) document.



MicroFC-SMTPA-XXXXX	
Pin No.	Connection
1	anode
2	fast output
3	cathode
4	ground
5	no connect

PACKAGE DRAWINGS (All Dimensions in mm)

MicroFC-60035-SMT-C1 *

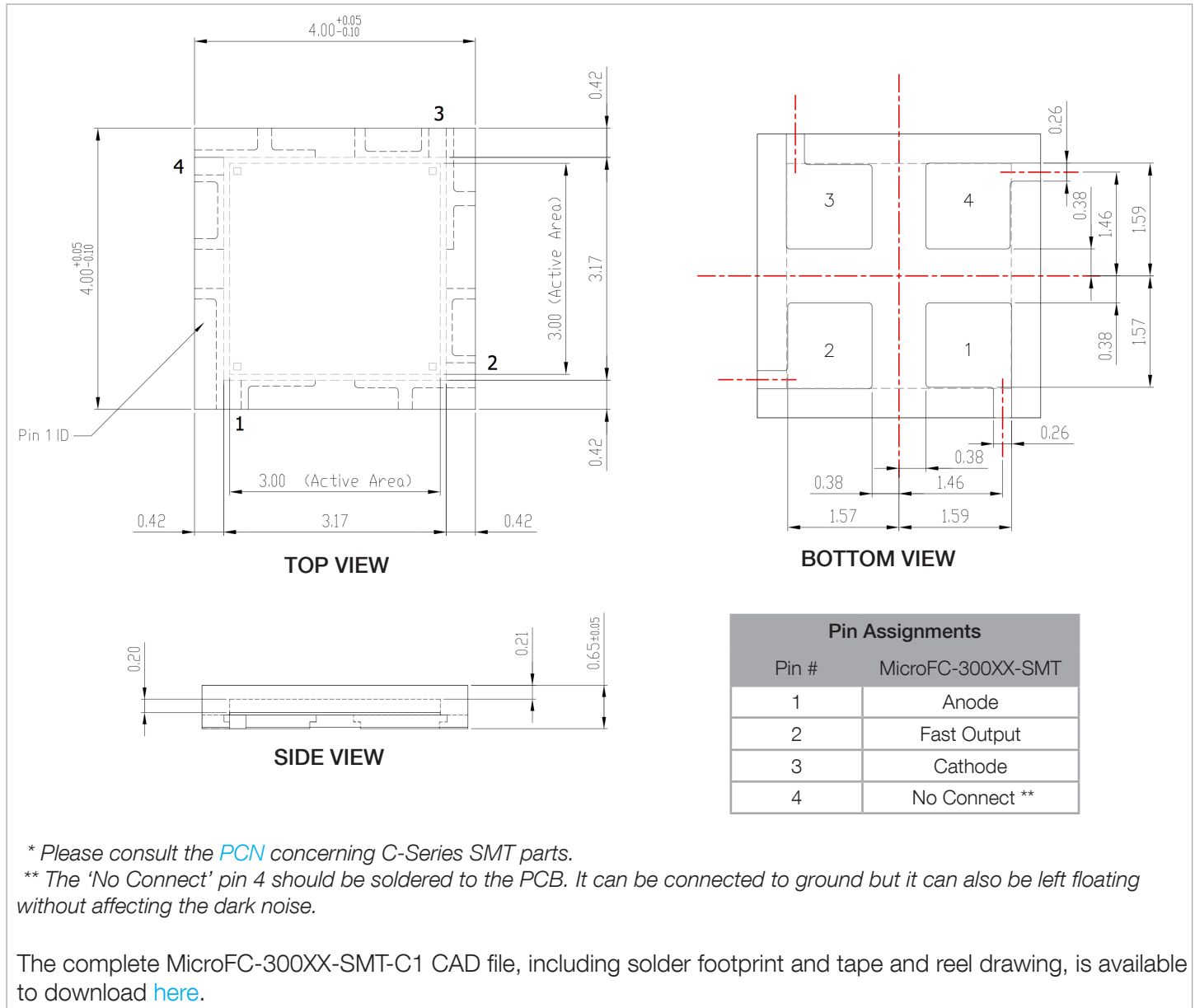


* Please consult the [PCN](#) concerning C-Series SMT parts.

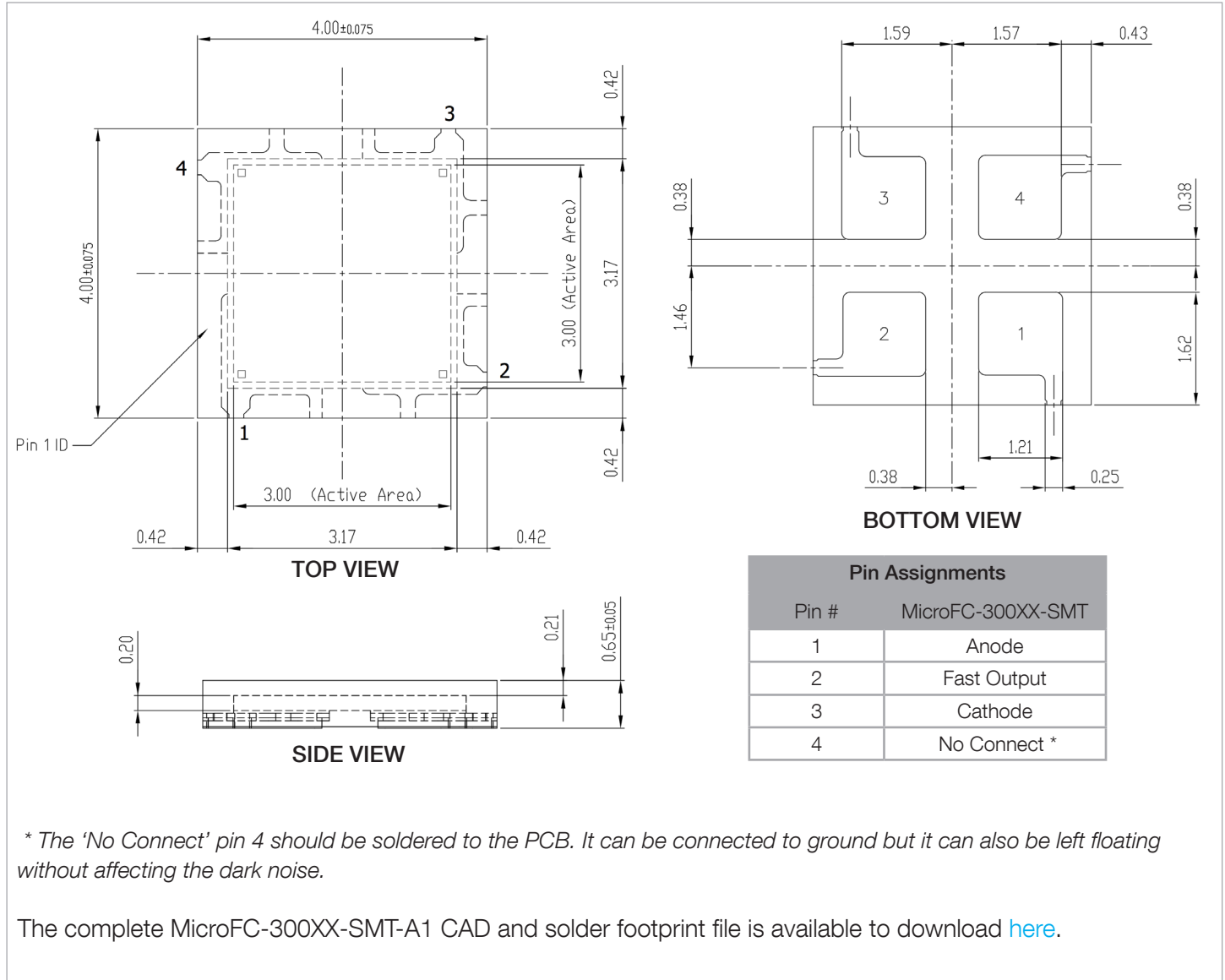
** The 'No Connect' pin 4 should be soldered to the PCB. This pin can be connected to ground but it can also be left floating without affecting the dark noise. It is recommended that the Pin 5 paddle is NOT soldered to the PCB and is left floating to achieve optimal soldering on pins 1 to 4. Please note the full advice in the CAD file.

The complete MicroFC-60035-SMT-C1 CAD file, including solder footprint and tape and reel drawing, is available to download [here](#).

MicroFC-30035-SMT-C1 *



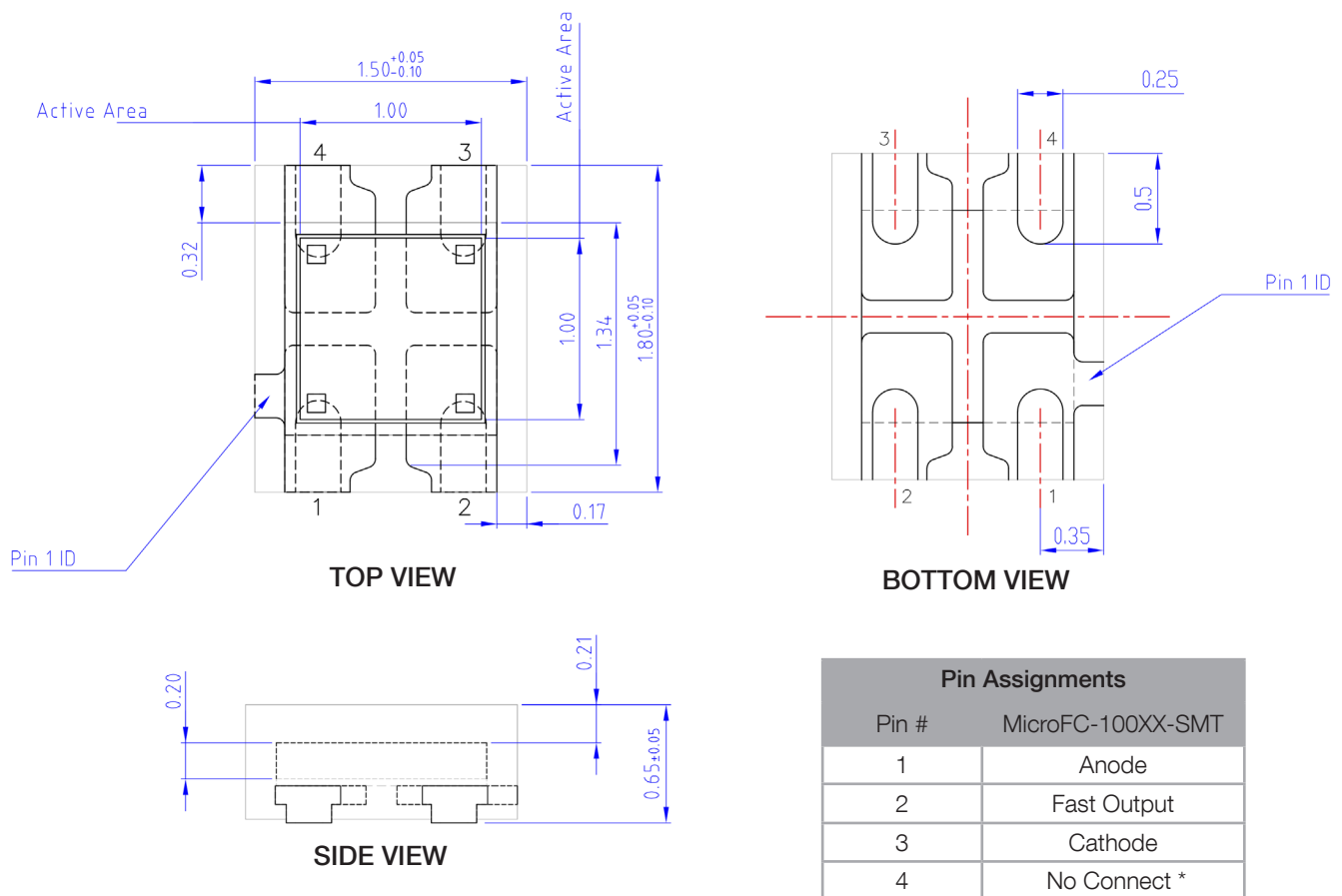
MicroFC-30020-SMT-A1 & MicroFC-30050-SMT-A1 *



* The 'No Connect' pin 4 should be soldered to the PCB. It can be connected to ground but it can also be left floating without affecting the dark noise.

The complete MicroFC-300XX-SMT-A1 CAD and solder footprint file is available to download [here](#).

MicroFC-10010-SMT-C1, MicroFC-10020-SMT-C1 & MicroFC-10035-SMT-C1*

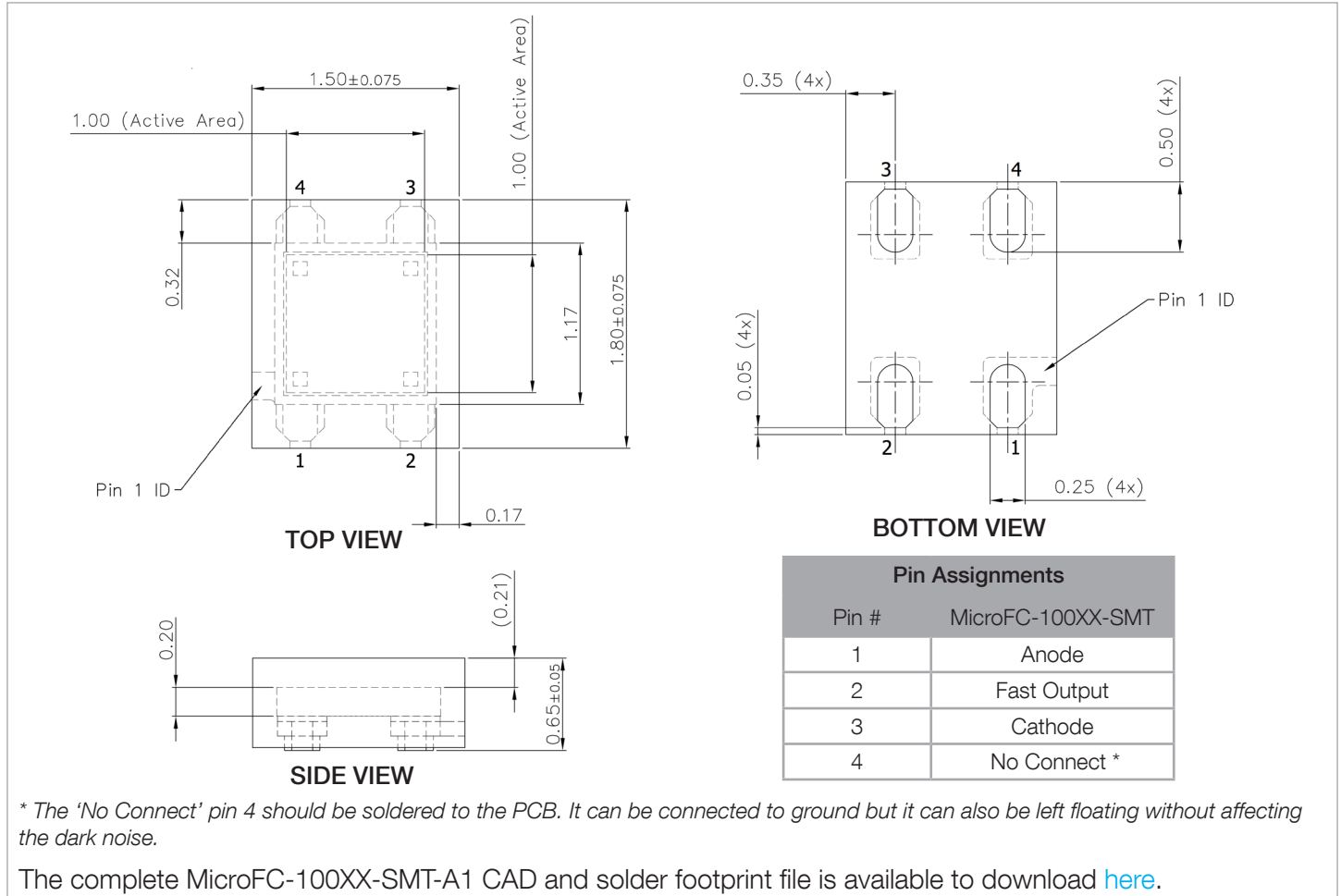


* Please consult the [PCN](#) concerning C-Series SMT parts.

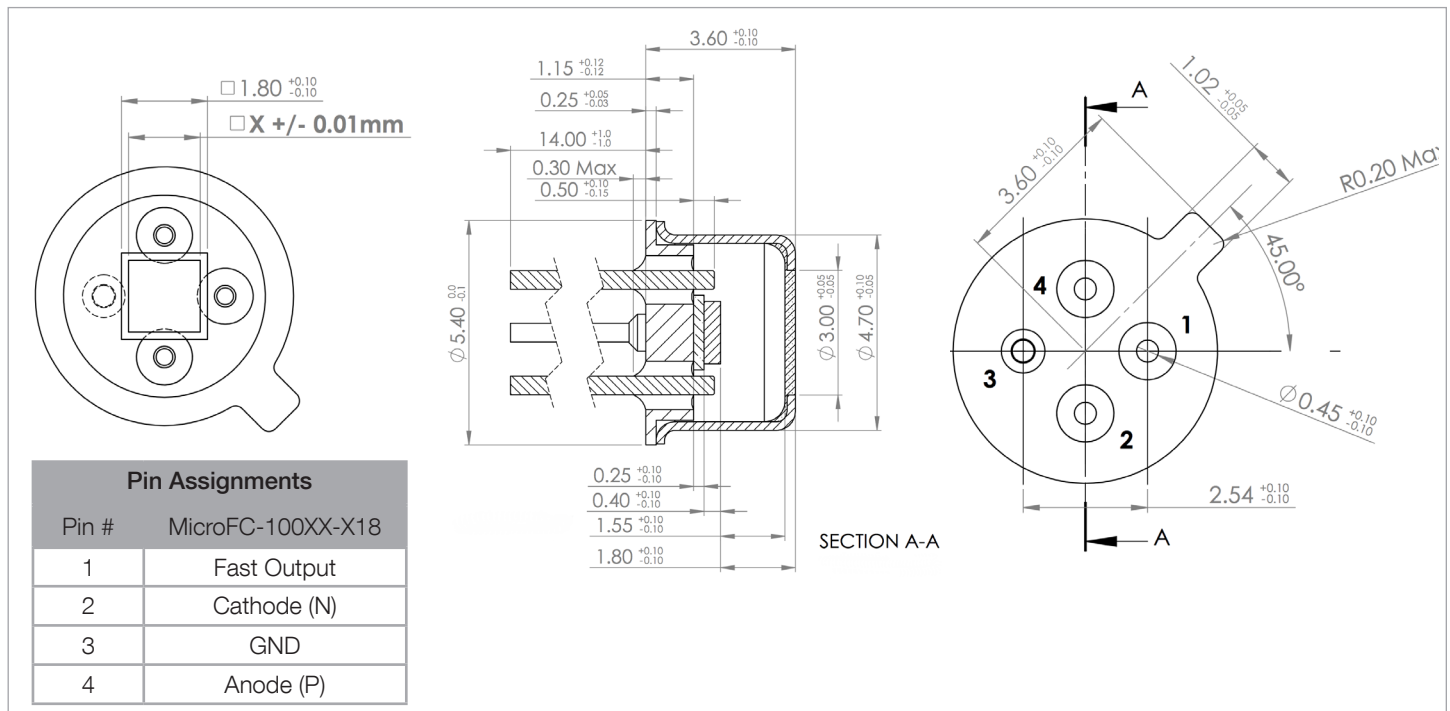
** The 'No Connect' pin 4 should be soldered to the PCB. It can be connected to ground but it can also be left floating without affecting the dark noise.

The complete MicroFC-100XX-SMT-C1 CAD and solder footprint file is available to download [here](#).

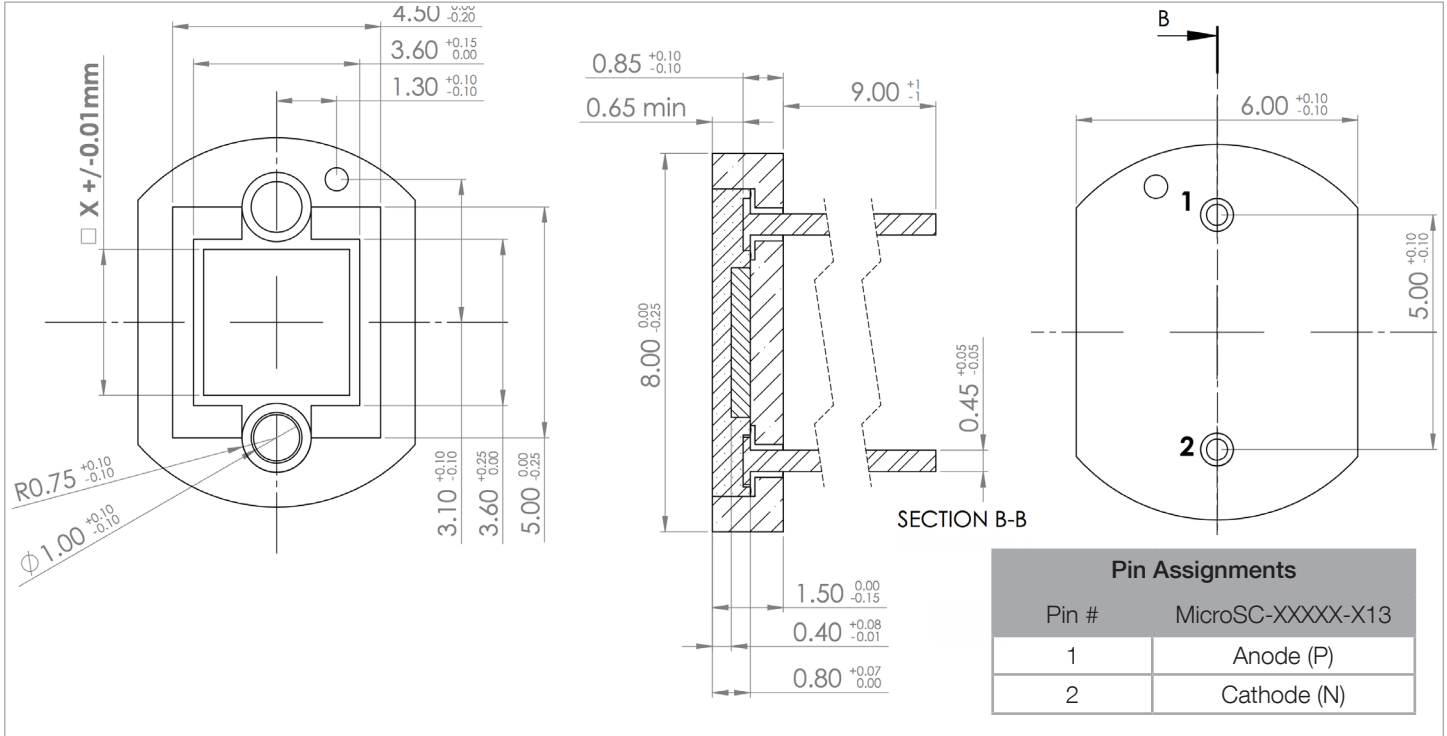
MicroFC-10050-SMT-A1



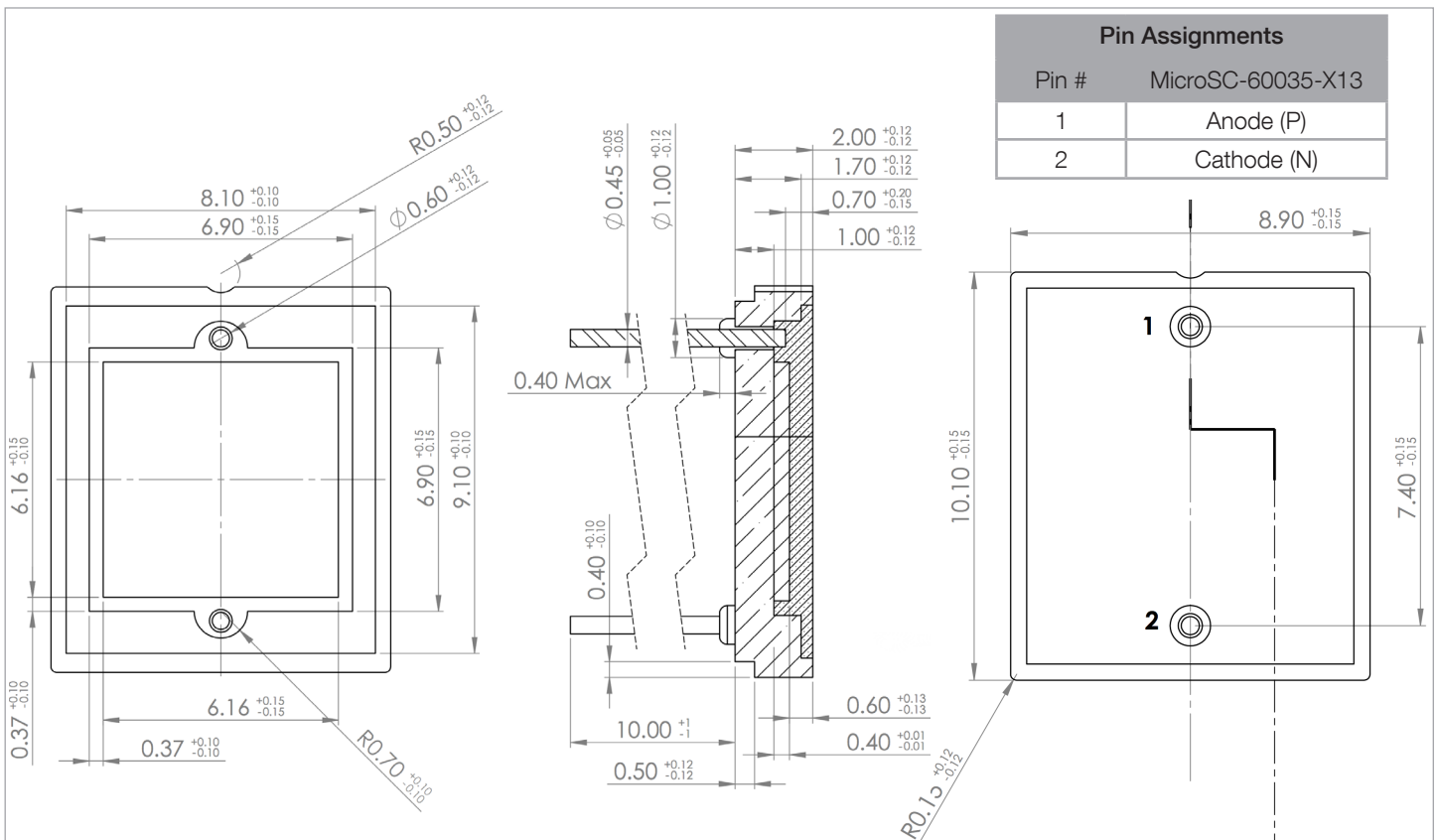
MicroFC-100XX-X18



MicroSC-30035-X13 (Note: MicroSC-10035-X13 package is the same but with smaller sensor size.)



MicroSC-60035-X13



ORDERING INFORMATION

Product Code	Microcell size (Total number)	Sensor active area	Package type	Delivery options ^a
10000 Series				
MicroFC-10010-SMT	10µm (2880 microcells)	1mm x 1mm	4-side tileable, surface mount package (SMT)	TA, TR
MicroFC-SMA-10010			SMT sensor mounted onto a PCB with SMA connectors for bias and output.	PK
MicroFC-SMTPA-10010			SMT sensor mounted onto a pin adapter board.	PK
MicroFC-10020-SMT	20µm (1296 microcells)		4-side tileable, surface mount package (SMT)	TA, TR
MicroFC-SMA-10020			SMT sensor mounted onto a PCB with SMA connectors for bias and output.	PK
MicroFC-SMTPA-10020			SMT sensor mounted onto a pin adapter board.	PK
MicroFC-10020-X18			3-pin TO-18 package	PK
MicroFC-10035-SMT	35µm (576 microcells)		4-side tileable, surface mount package (SMT)	TA, TR
MicroFC-SMA-10035			SMT sensor mounted onto a PCB with SMA connectors for bias and output.	PK
MicroFC-SMTPA-10035			SMT sensor mounted onto a pin adapter board.	PK
MicroFC-10035-X18			3-pin TO-18 package	PK
MicroSC-10035-X13			2-pin ceramic package, epoxy fill (no fast output)	PK
MicroFC-10050-SMT	50µm (324 microcells)	4-side tileable, surface mount package (SMT)	TA, TR	
MicroFC-SMA-10050		SMT sensor mounted onto a PCB with SMA connectors for bias and output.	PK	
MicroFC-SMTPA-10050		SMT sensor mounted onto a pin adapter board.	PK	
MicroFC-10050-X18		3-pin TO-18 package	PK	

Ordering information continues on the next page...

ORDERING INFORMATION (Continued)

Product Code	Microcell size (Total number)	Sensor active area	Package type	Delivery options ^a
30000 Series				
MicroFC-30020-SMT	20µm (10998 microcells)	3mm x 3mm	4-side tileable, surface mount package (SMT)	TA, TR
MicroFC-SMA-30020			SMT sensor mounted onto a PCB with SMA connectors for bias and output.	PK
MicroFC-SMTPA-30020			SMT sensor mounted onto a pin adapter board	PK
MicroFC-30035-SMT	35µm (4774 microcells)		4-side tileable, surface mount package (SMT)	TA, TR
MicroFC-SMA-30035			SMT sensor mounted onto a PCB with SMA connectors for bias and output.	PK
MicroFC-SMTPA-30035			SMT sensor mounted onto a pin adapter board	PK
MicroSC-30035-X13			2-pin ceramic package, epoxy fill (no fast output)	PK
MicroFC-30050-SMT	50µm (2668 microcells)		4-side tileable, surface mount package (SMT)	TA, TR
MicroFC-SMA-30050			SMT sensor mounted onto a PCB with SMA connectors for bias and output.	PK
MicroFC-SMTPA-30050		SMT sensor mounted onto a pin adapter board	PK	
60000 Series				
MicroFC-60035-SMT	35µm (18980 microcells)	6mm x 6mm	4-side tileable, surface mount package (SMT)	TA, TR
MicroFC-SMA-60035			SMT sensor mounted onto a PCB with SMA connectors for bias and output.	PK
MicroFC-SMTPA-60035			SMT sensor mounted onto a pin adapter board	PK
MicroSC-60035-X13			2-pin ceramic package, epoxy fill (no fast output)	PK

^a The two-letter delivery option code should be appended to the order number, e.g.) to receive MicroFC-60035-SMT on tape and reel, use MicroFC-60035-SMT-TR. The codes are as follows:

PK = ESD Package
 TA = Tape
 TR = Tape and Reel

There is a minimum order quantity (MOQ) of 3000 for the tape and reel (TR) option. Quantities less than this are available on tape which will ship according to the table below:

Sensor size	-TA			-TR
	Cut tape (no reel)	Tape loaded onto a generic reel	Tape loaded onto product-specific reel *	Tape and reel MOQ **
1mm	<50	50 < 3000	-	3000
3mm	<50	50 < 2000	2000 < 3000	3000
6mm	<50	50 < 1000	1000 < 3000	3000

* The CAD for the product-specific tape and reels are given in the product CAD files (see pages 10 - 14).

** The TR option is only available in multiples of the MOQ.



Компания «Life Electronics» занимается поставками электронных компонентов импортного и отечественного производства от производителей и со складов крупных дистрибьюторов Европы, Америки и Азии.

С конца 2013 года компания активно расширяет линейку поставок компонентов по направлению коаксиальный кабель, кварцевые генераторы и конденсаторы (керамические, пленочные, электролитические), за счёт заключения дистрибьюторских договоров

Мы предлагаем:

- Конкурентоспособные цены и скидки постоянным клиентам.
- Специальные условия для постоянных клиентов.
- Подбор аналогов.
- Поставку компонентов в любых объемах, удовлетворяющих вашим потребностям.
- Приемлемые сроки поставки, возможна ускоренная поставка.
- Доставку товара в любую точку России и стран СНГ.
- Комплексную поставку.
- Работу по проектам и поставку образцов.
- Формирование склада под заказчика.
- Сертификаты соответствия на поставляемую продукцию (по желанию клиента).
- Тестирование поставляемой продукции.
- Поставку компонентов, требующих военную и космическую приемку.
- Входной контроль качества.
- Наличие сертификата ISO.

В составе нашей компании организован Конструкторский отдел, призванный помогать разработчикам, и инженерам.

Конструкторский отдел помогает осуществить:

- Регистрацию проекта у производителя компонентов.
- Техническую поддержку проекта.
- Защиту от снятия компонента с производства.
- Оценку стоимости проекта по компонентам.
- Изготовление тестовой платы монтаж и пусконаладочные работы.



Тел: +7 (812) 336 43 04 (многоканальный)

Email: org@lifeelectronics.ru