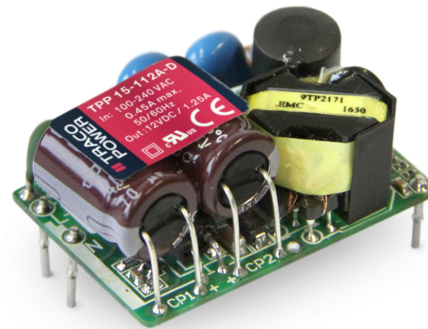


- High power density power supply (open frame)
- Certification according to IEC/EN/ES 60601-1 3rd edition for 2 x MOPP
- Low leakage current <75 µA rated for BF applications
- EMC compliance to IEC 60601-1-2 4th edition
- Risk management process according to ISO 14971 incl. risk management file
- Acceptance criteria for electronic assemblies acc. to IPC-A-610 Level 3
- Protection class II
- Operating up to 5000 m altitude
- Ready to meet ErP directive, no load power consumption <75 mW
- 5-year product warranty



The TPP 15A-D AC/DC power supplies feature a reinforced double I/O isolation system according to medical safety standards IEC/EN/ES 60601-1 3rd edition for 2 x MOPP approved for an operating altitude of 5000 m. The earth leakage current is below 75 µA what makes the units suitable for BF (body floating) applications. The excellent efficiency of up to 88.5% offers a high power density in the packaging format 1.0" x 1.5". The full load operating temperature range covers -40°C to +60°C while it goes up to 85°C with 50% load derating. The units operate in compliance to the medical EMC emission and immunity levels according to latest standard IEC 60601-1-2 4th edition.

### Models

| Order Code    | Output Power max. | Output Voltage nom. (adjustable) | Output Current max. | Efficiency typ. |
|---------------|-------------------|----------------------------------|---------------------|-----------------|
| TPP 15-103A-D | 15 W              | 3.3 VDC (2.97 - 3.63 VDC)        | 4'000 mA            | 84 %            |
| TPP 15-105A-D |                   | 5 VDC (4.5 - 5.5 VDC)            | 3'000 mA            | 86 %            |
| TPP 15-109A-D |                   | 9 VDC (8.1 - 9.9 VDC)            | 1'670 mA            | 86 %            |
| TPP 15-112A-D |                   | 12 VDC (10.8 - 13.2 VDC)         | 1'250 mA            | 87 %            |
| TPP 15-115A-D |                   | 15 VDC (13.5 - 16.5 VDC)         | 1'000 mA            | 87 %            |
| TPP 15-124A-D |                   | 24 VDC (21.6 - 26.4 VDC)         | 625 mA              | 88 %            |
| TPP 15-136A-D |                   | 36 VDC (32.4 - 39.6 VDC)         | 417 mA              | 88 %            |
| TPP 15-148A-D |                   | 48 VDC (43.2 - 52.8 VDC)         | 313 mA              | 89 %            |

Note - Other output models are available on request.

### Input Specifications

|                      |                             |  |
|----------------------|-----------------------------|--|
| Input Voltage        | - AC Range                  | 85 - 264 VAC (Full Range)                      |
|                      | - DC Range                  | 120 - 370 VDC (Designed for, no certification) |
| Input Frequency      |                             | 47 - 63 Hz                                     |
| Input Current        | - Full Load & Vin = 230 VAC | 300 mA max.                                    |
|                      | - Full Load & Vin = 115 VAC | 450 mA max.                                    |
| Power Consumption    | - at no Load                | 75 mW max. (Ready to meet ErP directive)       |
| Input Inrush Current | - at 230 VAC                | 40 A max.                                      |
| Input Protection     |                             | T 1.6 A / 250 VAC (Internal Fuse in L & N)     |

### Output Specifications

|  |                                 |   |
|--|---------------------------------|---|
| Output Voltage Adjustment              |                                 | ±10% (By external trim resistor)  |
|  | Refer to Application Note:      | <a href="http://www.tracopower.com/overview/tpp15a-d">www.tracopower.com/overview/tpp15a-d</a><br>Output power must not exceed rated power! |
| Voltage Set Accuracy                   |                                 | ±1% max.  |
| Regulation                             | - Input Variation (Vmin - Vmax) | 0.2% max.   |
|  | - Load Variation (0 - 100%)     | 0.7% max. (3.3 and 5 VDC model)<br>0.5% max. (other output models)  |
| Ripple and Noise<br>(20 MHz Bandwidth) | 3.3 VDC model:                  | 40 mVp-p typ. (with 10 µF X5R)  |
|  | 5 VDC model:                    | 40 mVp-p typ. (with 10 µF X5R)  |
|  | 9 VDC model:                    | 70 mVp-p typ. (with 10 µF X5R)  |
|  | 12 VDC model:                   | 70 mVp-p typ. (with 10 µF X5R)  |
|  | 15 VDC model:                   | 70 mVp-p typ. (with 10 µF X5R)  |
|  | 24 VDC model:                   | 100 mVp-p typ. (with 10 µF X5R)   |
|  | 36 VDC model:                   | 100 mVp-p typ. (with 10 µF X5R)   |
|  | 48 VDC model:                   | 140 mVp-p typ. (with 1 µF X7R)  |
| Capacitive Load                        | 3.3 VDC model:                  | 6'000 µF max.   |
|  | 5 VDC model:                    | 4'000 µF max.   |
|  | 9 VDC model:                    | 1'860 µF max.   |
|  | 12 VDC model:                   | 1'200 µF max.   |
|  | 15 VDC model:                   | 820 µF max.   |
|  | 24 VDC model:                   | 470 µF max.   |
|  | 36 VDC model:                   | 220 µF max.   |
| 48 VDC model:                          | 150 µF max.                     |   |
| Minimum Load                           |                                 | Not required  |
| Temperature Coefficient                |                                 | ±0.02 %/K max.  |
| Hold-up Time                           | - at 115 VAC                    | 8 ms min.   |
| Start-up Time                          | - at 230 VAC                    | 500 ms max.   |
| Short Circuit Protection               |                                 | Continuous, Automatic recovery  |
| Output Current Limitation              |                                 | 120 - 200% of Iout max.   |
|  |                                 | 145% typ. of Iout max.  |
| Overvoltage Protection                 |                                 | 125 - 140% of Vout nom.   |
| Transient Response                     | - Response Deviation            | 8% max. (75% to 100% Load Step)   |
|  | - Response Time                 | 500 µs typ. (75% to 100% Load Step)   |

All specifications valid at nominal input voltage, full load and +25°C after warm-up time unless otherwise stated.

## Safety Specifications

|                       |  |  |
|-----------------------|--|--|
| Safety Standards      | - IT / Multimedia Equipment              | EN 62368-1<br>IEC 62368-1<br>UL 62368-1  |
|                       | - Household                              | IEC 60335-1  |
|                       | - Medical Equipment                      | EN 60601-1<br>IEC 60601-1<br>ANSI/AAMI ES 60601-1  |
|                       | - Power Transformers                     | 2 x MOPP (Means Of Patient Protection)<br>IEC 61558-1<br>IEC 61558-2-16                        |
|                       | - Certification Documents                | <a href="http://www.tracopower.com/overview/tpp15a-d">www.tracopower.com/overview/tpp15a-d</a> |
| Protection Class      | Class II Prepared: Reinforced Insulation |  |
| Pollution Degree      | PD 2                                     |  |
| Over Voltage Category | OVC II                                   |  |

## EMC Specifications

|                                |  |  |
|--------------------------------|--|--|
| EMC Emissions                  | - Conducted Emissions  | EN 60601-1-2 edition 4 (Medical Devices)<br>EN 55011 class B (internal filter)<br>EN 55014-1<br>EN 55032 class B (internal filter)<br>FCC Part 15, class B<br>FCC Part 18, class B |
|                                | - Radiated Emissions   | EN 55011 class B (internal filter)<br>EN 55014-1<br>EN 55032 class B (internal filter)<br>FCC Part 15, class B<br>FCC Part 18, class B   |
|                                | - Harmonic Current Emissions   | EN 61000-3-2, class A  |
|                                | - Voltage Fluctuations & Flicker   | EN 61000-3-3   |
|                                | EMC Immunity   | EN 55024 (IT Equipment)<br>EN 60601-1-2 edition 4 (Medical Devices)<br>EN 55014-2 (Household Appliances Tools)   |
| - Electrostatic Discharge      | Air: EN 61000-4-2, $\pm 15$ kV, perf. criteria A<br>Contact: EN 61000-4-2, $\pm 8$ kV, perf. criteria A<br>EN 61000-4-3, 20 V/m, perf. criteria A<br>EN 61000-4-4, $\pm 2$ kV, perf. criteria A<br>L to L: EN 61000-4-5, $\pm 1$ kV, perf. criteria A<br>EN 61000-4-6, 20 Vrms, perf. criteria A<br>EN 61000-4-8, 30 A/m, perf. criteria A |  |
| - RF Electromagnetic Field     | 230 VAC / 50 Hz: EN 61000-4-11   |  |
| - EFT (Burst)                  | 30%, 25 periods, perf. criteria A<br>60%, 1 period, perf. criteria A<br>>95%, 1 period, perf. criteria A<br>>95%, 250 periods, perf. criteria A  |  |
| - Surge                        | 115 VAC / 60 Hz: EN 61000-4-11   |  |
| - Conducted RF Disturbances    | 30%, 25 periods, perf. criteria A<br>60%, 1 period, perf. criteria A<br>>95%, 1 period, perf. criteria A<br>>95%, 250 periods, perf. criteria A  |  |
| - PF Magnetic Field            |  |  |
| - Voltage Dips & Interruptions |  |  |

## General Specifications

|                    |                           |                |
|--------------------|---------------------------|----------------|
| Relative Humidity  | 95% max. (non condensing) |                |
| Temperature Ranges | - Operating Temperature   | -40°C to +85°C |
|                    | - Storage Temperature     | -40°C to +85°C |

All specifications valid at nominal input voltage, full load and +25°C after warm-up time unless otherwise stated.

|                              |  |  |
|------------------------------|--|--|
| Power Derating               | - High Temperature<br>- Low Input Voltage  | see application note<br><a href="http://www.tracopower.com/overview/tpp15a-d">www.tracopower.com/overview/tpp15a-d</a><br>4 %/V below 90 VAC   |
| Cooling System               |  | Natural convection (20 LFM)  |
| Altitude During Operation    |  | 5'000 m max.   |
| Switching Frequency          |  | 75 - 95 kHz (PWM)  |
| Insulation System            |  | Reinforced Insulation  |
| Working Voltage (rated)      |  | 250 VAC  |
| Isolation Test Voltage       | - Input to Output, 60 s<br>- Input to Case or PE, 60 s<br>- Output to Case or PE, 60 s | 5'657 VDC<br>2'121 VDC<br>2'121 VDC  |
| Creepage                     | - Input to Output  | 8 mm min.  |
| Clearance                    | - Input to Output  | 8 mm min.  |
| Isolation Resistance         | - Input to Output, 500 VDC   | 100 MOhm min.  |
| Leakage Current<br>(264 VAC) | - Touch Current  | 75 µA max.   |
| Reliability                  | - Calculated MTBF  | 3'100'000 h (MIL-HDBK-217F, ground benign)   |
| Environment                  | - Vibration<br>- Mechanical Shock  | IEC 60068-2-6<br>IEC 60068-2-27  |
| Connection Type              |  | THD (Through-Hole Device)  |
| Weight                       |  | 16.5 g   |
| Environmental Compliance     | - Reach<br>- RoHS  | <a href="http://www.tracopower.com/info/reach-declaration.pdf">www.tracopower.com/info/reach-declaration.pdf</a><br><a href="http://www.tracopower.com/info/rohs-declaration.pdf">www.tracopower.com/info/rohs-declaration.pdf</a> |

## Supporting Documents

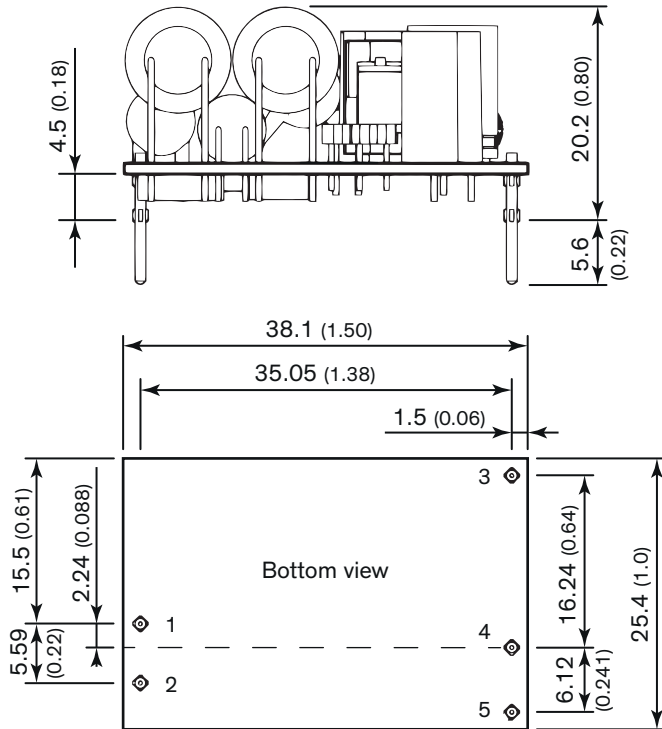
Overview Link (for additional Documents)

[www.tracopower.com/overview/tpp15a-d](http://www.tracopower.com/overview/tpp15a-d)

All specifications valid at nominal input voltage, full load and +25°C after warm-up time unless otherwise stated.

### Outline Dimensions

12, 15, 24, 36, and 48 VDC models - without heatsink



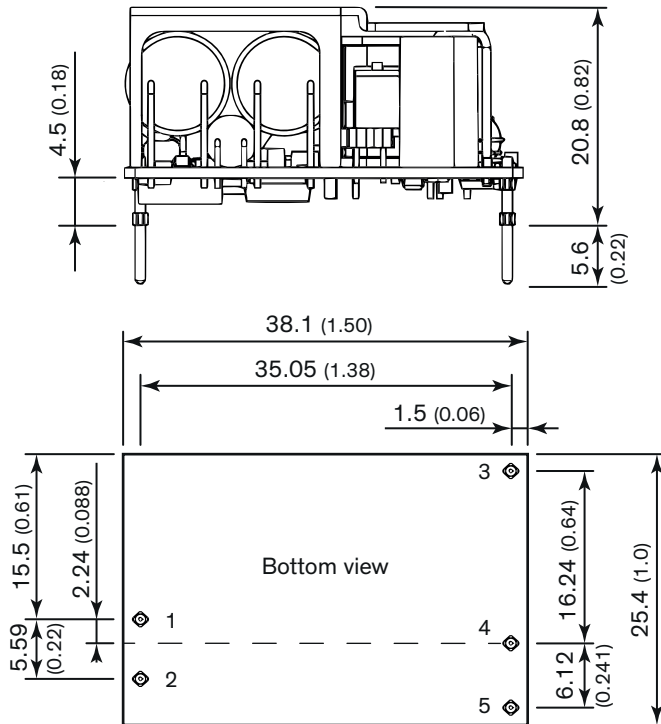
| PCB Pinout |          |
|------------|----------|
| Pin        | Function |
| 1          | Neutral  |
| 2          | Line     |
| 3          | Trim     |
| 4          | -Vout    |
| 5          | +Vout    |

Print thickness: 1.0 mm (0.04 inch)  
 Pin diameter: 1.0 mm (0.04 inch)

Dimension in mm, ( ) = inch  
 Tolerances: x.x  $\pm 0.50$  ( $\pm 0.02$ )  
                   x.xx  $\pm 0.25$  ( $\pm 0.01$ )  
 Pin pitch tolerance:  $\pm 0.25$  ( $\pm 0.010$ )  
 Pin dimension tolerance:  $\pm 0.10$  ( $\pm 0.004$ )

All specifications valid at nominal input voltage, full load and +25°C after warm-up time unless otherwise stated.

### 3.3, 5, and 9 VDC models - with heatsink



| PCB Pinout |          |
|------------|----------|
| Pin        | Function |
| 1          | Neutral  |
| 2          | Line     |
| 3          | Trim     |
| 4          | -Vout    |
| 5          | +Vout    |

Print thickness: 1.0 mm (0.04 inch)  
Pin diameter: 1.0 mm (0.04 inch)

Dimension in mm, () = inch  
Tolerances: x.x  $\pm 0.50$  ( $\pm 0.02$ )  
                  x.xx  $\pm 0.25$  ( $\pm 0.01$ )  
Pin pitch tolerance:  $\pm 0.25$  ( $\pm 0.010$ )  
Pin dimension tolerance:  $\pm 0.10$  ( $\pm 0.004$ )

Компания «Life Electronics» занимается поставками электронных компонентов импортного и отечественного производства от производителей и со складов крупных дистрибьюторов Европы, Америки и Азии.

С конца 2013 года компания активно расширяет линейку поставок компонентов по направлению коаксиальный кабель, кварцевые генераторы и конденсаторы (керамические, пленочные, электролитические), за счёт заключения дистрибьюторских договоров

Мы предлагаем:

- Конкурентоспособные цены и скидки постоянным клиентам.
- Специальные условия для постоянных клиентов.
- Подбор аналогов.
- Поставку компонентов в любых объемах, удовлетворяющих вашим потребностям.
- Приемлемые сроки поставки, возможна ускоренная поставка.
- Доставку товара в любую точку России и стран СНГ.
- Комплексную поставку.
- Работу по проектам и поставку образцов.
- Формирование склада под заказчика.
- Сертификаты соответствия на поставляемую продукцию (по желанию клиента).
- Тестирование поставляемой продукции.
- Поставку компонентов, требующих военную и космическую приемку.
- Входной контроль качества.
- Наличие сертификата ISO.

В составе нашей компании организован Конструкторский отдел, призванный помогать разработчикам, и инженерам.

Конструкторский отдел помогает осуществить:

- Регистрацию проекта у производителя компонентов.
- Техническую поддержку проекта.
- Защиту от снятия компонента с производства.
- Оценку стоимости проекта по компонентам.
- Изготовление тестовой платы монтаж и пусконаладочные работы.



Тел: +7 (812) 336 43 04 (многоканальный)

Email: [org@lifeelectronics.ru](mailto:org@lifeelectronics.ru)