

# 1-Wire Digital Thermometer with Sequence Detect and PIO

## General Description

The DS28EA00 is a digital thermometer with 9-bit (0.5°C) to 12-bit (1/16°C) resolution and alarm function with non-volatile (NV), user-programmable upper and lower trigger points. Each DS28EA00 has its own unique 64-bit registration number that is factory programmed into the chip. Data is transferred serially through the 1-Wire® protocol, which requires only one data line and a ground reference for communication. The improved 1-Wire front-end with hysteresis and glitch filter enables the DS28EA00 to perform reliably in large 1-Wire networks. Unlike other 1-Wire thermometers, the DS28EA00 has two additional pins to implement a sequence-detect function. This feature allows the user to discover the registration numbers according to the physical device location in a chain, e.g., to measure the temperature in a storage tower at different height. If the sequence-detect function is not needed, these pins can be used as general-purpose input or output. The DS28EA00 can derive the power for its operation directly from the data line ("parasite power"), eliminating the need for an external power supply.

## Applications

Data Communication Equipment  
Process Temperature Monitoring  
HVAC Systems

## Ordering Information

| PART          | TEMP RANGE     | PIN-PACKAGE |
|---------------|----------------|-------------|
| DS28EA00U+    | -40°C to +85°C | 8 $\mu$ SOP |
| DS28EA00U+T&R | -40°C to +85°C | 8 $\mu$ SOP |

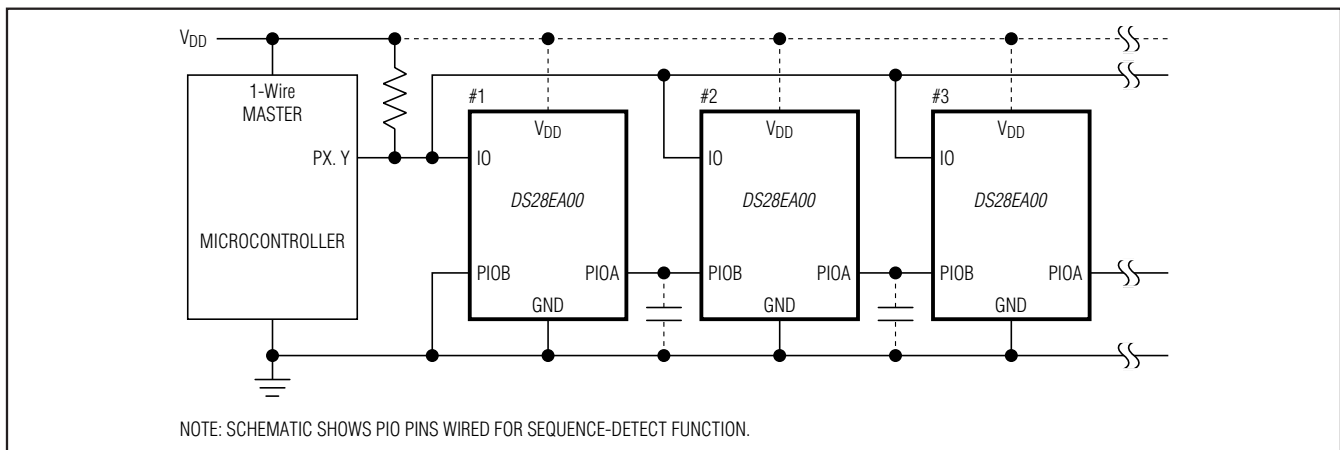
+ Denotes a lead(Pb)-free/RoHS-compliant package.  
T&R = Tape and reel.

## Features

- ◆ Digital Thermometer Measures Temperatures from -40°C to +85°C
- ◆ Thermometer Resolution is User Selectable from 9 to 12 Bits
- ◆ Unique 1-Wire Interface Requires Only One Port Pin for Communication
- ◆ Each Device Has a Unique 64-Bit, Factory-Lasered Registration Number
- ◆ Multidrop Capability Simplifies Distributed Temperature-Sensing Applications
- ◆ Improved 1-Wire Interface with Hysteresis and Glitch Filter
- ◆ User-Definable NV Alarm Threshold Settings/User Bytes
- ◆ Alarm Search Command to Quickly Identify Devices Whose Temperature is Outside of Programmed Limits
- ◆ Standard and Overdrive 1-Wire Speed
- ◆ Two General-Purpose Programmable IO (PIO) Pins
- ◆ Chain Function Sharing the PIO Pins to Detect Physical Sequence of Devices in Network
- ◆ Operating Range: +3.0V to +5.5V, -40°C to +85°C
- ◆ Can Be Powered from Data Line
- ◆ 8-Pin  $\mu$ SOP Package

Pin Configuration appears at end of data sheet.

## Typical Operating Circuit



1-Wire is a registered trademark of Maxim Integrated Products, Inc.

For pricing, delivery, and ordering information, please contact Maxim Direct at 1-888-629-4642, or visit Maxim's website at [www.maximintegrated.com](http://www.maximintegrated.com).

# DS28EA00

## 1-Wire Digital Thermometer with Sequence Detect and PIO

### ABSOLUTE MAXIMUM RATINGS

IO Voltage Range to GND .....-0.5V to +6V  
 IO Sink Current.....20mA  
 Maximum PIOA or PIOB Pin Current.....20mA  
 Maximum Current Through GND Pin .....40mA

Operating Temperature Range .....-40°C to +85°C  
 Junction Temperature ..... +150°C  
 Storage Temperature Range .....-55°C to +125°C  
 Soldering Temperature.....Refer to the IPC/JEDEC J-STD-020 Specification.

Stresses beyond those listed under "Absolute Maximum Ratings" may cause permanent damage to the device. These are stress ratings only, and functional operation of the device at these or any other conditions beyond those indicated in the operational sections of the specifications is not implied. Exposure to absolute maximum rating conditions for extended periods may affect device reliability.

### ELECTRICAL CHARACTERISTICS

(T<sub>A</sub> = -40°C to +85°C.) (Note 1)

| PARAMETER  | SYMBOL             | CONDITIONS   | MIN                | TYP | MAX                     | UNITS |
|--|--------------------|--|--------------------|-----|-------------------------|-------|
| <b>POWER SUPPLY</b>                                |                    |  |                    |     |                         |       |
| Supply Voltage                                     | V <sub>DD</sub>    | (Note 2)   | 3.0                |     | 5.5                     | V     |
| Supply Current (Note 3)                            | I <sub>DD</sub>    | V <sub>DD</sub> = +5.5V  |                    |     | 1.5                     | mA    |
| Standby Current                                    | I <sub>DD(S)</sub> | V <sub>DD</sub> = +5.5V  |                    |     | 1.5                     | μA    |
| <b>IO PIN: GENERAL DATA</b>                        |                    |  |                    |     |                         |       |
| 1-Wire Pullup Voltage (Note 2)                     | V <sub>PUP</sub>   | Local power  | 3.0                |     | V <sub>DD</sub>         | V     |
|  |                    | Parasite power   | 3.0                |     | 5.5                     |       |
| 1-Wire Pullup Resistance                           | R <sub>PUP</sub>   | (Notes 2, 4)   | 0.3                |     | 2.2                     | kΩ    |
| Input Capacitance                                  | C <sub>IO</sub>    | (Notes 3, 5)   |                    |     | 1000                    | pF    |
| Input Load Current                                 | I <sub>L</sub>     | IO pin at V <sub>PUP</sub>   | 0.1                |     | 1.5                     | μA    |
| High-to-Low Switching Threshold                    | V <sub>TL</sub>    | (Notes 3, 6, 7)  | 0.46               |     | V <sub>PUP</sub> - 1.9V | V     |
| Input Low Voltage (Notes 2, 8)                     | V <sub>IL</sub>    | Parasite powered   |                    |     | 0.5                     | V     |
|  |                    | V <sub>DD</sub> powered (Note 3)   |                    |     | 0.7                     |       |
| Low-to-High Switching Threshold (Notes 3, 6, 9)    | V <sub>TH</sub>    | Parasite power   | 1.0                |     | V <sub>PUP</sub> - 1.1V | V     |
| Switching Hysteresis (Notes 3, 6, 10)              | V <sub>HY</sub>    | Parasite power   | 0.21               |     | 1.7                     | V     |
| Output Low Voltage (Note 11)                       | V <sub>OL</sub>    | At 4mA   |                    |     | 0.4                     | V     |
| Recovery Time (Notes 2, 12)                        | t <sub>REC</sub>   | Standard speed, R <sub>PUP</sub> = 2.2kΩ                                 | 5                  |     |                         | μs    |
|  |                    | Overdrive speed, R <sub>PUP</sub> = 2.2kΩ                                | 2                  |     |                         |       |
|  |                    | Overdrive speed, directly prior to reset pulse; R <sub>PUP</sub> = 2.2kΩ | 5                  |     |                         |       |
| Rising-Edge Hold-Off Time (Notes 3, 13)            | t <sub>REH</sub>   | Standard speed   | 0.5                |     | 5.0                     | μs    |
|  |                    | Overdrive speed  | Not applicable (0) |     |                         |       |
| Time-Slot Duration (Notes 2, 14)                   | t <sub>SLOT</sub>  | Standard speed   | 65                 |     |                         | μs    |
|  |                    | Overdrive speed  | 8                  |     |                         |       |
| <b>IO PIN: 1-Wire RESET, PRESENCE-DETECT CYCLE</b> |                    |  |                    |     |                         |       |
| Reset Low Time (Note 2)                            | t <sub>RSTL</sub>  | Standard speed   | 480                |     | 640                     | μs    |
|  |                    | Overdrive speed  | 48                 |     | 80                      |       |

# DS28EA00

## 1-Wire Digital Thermometer with Sequence Detect and PIO

### ELECTRICAL CHARACTERISTICS (continued)

(T<sub>A</sub> = -40°C to +85°C.) (Note 1)

| PARAMETER                                     | SYMBOL            | CONDITIONS  | MIN                  | TYP | MAX    | UNITS |
|---|-------------------|---|----------------------|-----|--------|-------|
| Presence-Detect High Time                     | t <sub>PDH</sub>  | Standard speed  | 15                   |     | 60     | μs    |
|   |                   | Overdrive speed   | 2                    |     | 6      |       |
| Presence-Detect Fall Time (Notes 3, 15)       | t <sub>FPD</sub>  | Standard speed  | 1.125                |     | 8.1    | μs    |
|   |                   | Overdrive speed   | 0                    |     | 1.3    |       |
| Presence-Detect Low Time                      | t <sub>PDL</sub>  | Standard speed  | 60                   |     | 240    | μs    |
|   |                   | Overdrive speed   | 8                    |     | 24     |       |
| Presence-Detect Sample Time (Notes 2, 16)     | t <sub>MSP</sub>  | Standard speed  | 68.1                 |     | 75     | μs    |
|   |                   | Overdrive speed   | 7.3                  |     | 10     |       |
| <b>IO PIN: 1-Wire WRITE</b>                   |                   |   |                      |     |        |       |
| Write-Zero Low Time (Notes 2, 17)             | t <sub>W0L</sub>  | Standard speed  | 60                   |     | 120    | μs    |
|   |                   | Overdrive speed   | 6                    |     | 16     |       |
| Write-One Low Time (Notes 2, 17)              | t <sub>W1L</sub>  | Standard speed  | 5                    |     | 15     | μs    |
|   |                   | Overdrive speed   | 1                    |     | 2      |       |
| <b>IO PIN: 1-Wire READ</b>                    |                   |   |                      |     |        |       |
| Read Low Time (Notes 2, 18)                   | t <sub>RL</sub>   | Standard speed  | 5                    |     | 15 - δ | μs    |
|   |                   | Overdrive speed   | 1                    |     | 2 - δ  |       |
| Read Sample Time (Notes 2, 18)                | t <sub>MSR</sub>  | Standard speed  | t <sub>RL</sub> + δ  |     | 15     | μs    |
|   |                   | Overdrive speed   | t <sub>RL</sub> + δ  |     | 2      |       |
| <b>PIO PINS</b>                               |                   |   |                      |     |        |       |
| Input Low Voltage                             | V <sub>ILP</sub>  | (Note 2)  |                      |     | 0.3    | V     |
| Input High Voltage (Note 2)                   | V <sub>IHP</sub>  | V <sub>X</sub> = Max(V <sub>PUP</sub> , V <sub>DD</sub> ) | V <sub>X</sub> - 1.6 |     |        | V     |
| Input Load Current (Note 19)                  | I <sub>LP</sub>   | Pin at GND  | -1.1                 |     |        | μA    |
| Output Low Voltage (Note 11)                  | V <sub>OLP</sub>  | At 4mA  |                      |     | 0.4    | V     |
| Chain-On Pullup Impedance                     | R <sub>CO</sub>   | (Note 3)  | 20                   | 40  | 60     | kΩ    |
| <b>EEPROM</b>                                 |                   |   |                      |     |        |       |
| Programming Current                           | I <sub>PROG</sub> | (Notes 3, 20)   |                      |     | 1.5    | mA    |
| Programming Time                              | t <sub>PROG</sub> | (Note 21)   |                      |     | 10     | ms    |
| Write/Erase Cycles (Endurance) (Notes 22, 23) | N <sub>CY</sub>   | At +25°C  | 200,000              |     |        | —     |
|   |                   | -40°C to +85°C  | 50,000               |     |        |       |
| Data Retention (Notes 24, 25)                 | t <sub>DR</sub>   | At +85°C (worst case)                                     | 10                   |     |        | Years |
| <b>TEMPERATURE CONVERTER</b>                  |                   |   |                      |     |        |       |
| Conversion Current                            | I <sub>CONV</sub> | (Notes 3, 20)   |                      |     | 1.5    | mA    |
| Conversion Time (Note 26)                     | t <sub>CONV</sub> | 12-bit resolution (1/16°C)                                |                      |     | 750    | ms    |
|   |                   | 11-bit resolution (1/8°C)                                 |                      |     | 375    |       |
|   |                   | 10-bit resolution (1/4°C)                                 |                      |     | 187.5  |       |
|   |                   | 9-bit resolution (1/2°C)                                  |                      |     | 93.75  |       |
| Conversion Error                              | Δθ                | -10°C to +85°C  | -0.5                 |     | +0.5   | °C    |
|   |                   | Below -10°C (Note 3)                                      | -0.5                 |     | +2.0   |       |
| Converter Drift                               | θ <sub>D</sub>    | (Note 27)   | -0.2                 |     | +0.2   | °C    |

# DS28EA00

## 1-Wire Digital Thermometer with Sequence Detect and PIO

### ELECTRICAL CHARACTERISTICS (continued)

( $T_A = -40^{\circ}\text{C}$  to  $+85^{\circ}\text{C}$ .) (Note 1)

- Note 1:** Specifications at  $T_A = -40^{\circ}\text{C}$  are guaranteed by design and not production tested.
- Note 2:** System requirement.
- Note 3:** Guaranteed by design, characterization, and/or simulation only. Not production tested.
- Note 4:** Maximum allowable pullup resistance is a function of the number of 1-Wire devices in the system and 1-Wire recovery times. The specified value here applies to parasitically powered systems with only one device and with the minimum 1-Wire recovery times. For more heavily loaded systems, local power or an active pullup such as that found in the DS2482-x00, DS2480B, or DS2490 may be required. If longer  $t_{\text{REC}}$  is used, higher  $R_{\text{PUP}}$  values may be tolerable.
- Note 5:** Value is 25pF maximum with local power. Maximum value represents the internal parasite capacitance when  $V_{\text{PUP}}$  is first applied. If  $R_{\text{PUP}} = 2.2\text{k}\Omega$ , 2.5 $\mu\text{s}$  after  $V_{\text{PUP}}$  has been applied, the parasite capacitance does not affect normal communications.
- Note 6:**  $V_{\text{TL}}$ ,  $V_{\text{TH}}$ , and  $V_{\text{HY}}$  are a function of the internal supply voltage, which is a function  $V_{\text{DD}}$ ,  $V_{\text{PUP}}$ ,  $R_{\text{PUP}}$ , 1-Wire timing, and capacitive loading on IO. Lower  $V_{\text{DD}}$ ,  $V_{\text{PUP}}$ , higher  $R_{\text{PUP}}$ , shorter  $t_{\text{REC}}$ , and heavier capacitive loading all lead to lower values of  $V_{\text{TL}}$ ,  $V_{\text{TH}}$ , and  $V_{\text{HY}}$ .
- Note 7:** Voltage below which, during a falling edge on IO, a logic 0 is detected.
- Note 8:** The voltage on IO must be less than or equal to  $V_{\text{ILMAX}}$  at all times when the master drives the line to a logic 0.
- Note 9:** Voltage above which, during a rising edge on IO, a logic 1 is detected.
- Note 10:** After  $V_{\text{TH}}$  is crossed during a rising edge on IO, the voltage on IO must drop by at least  $V_{\text{HY}}$  to be detected as logic 0.
- Note 11:** The I-V characteristic is linear for voltages less than +1V.
- Note 12:** Applies to a **single parasitically powered DS28EA00** attached to a 1-Wire line. These values also apply to networks of **multiple DS28EA00 with local supply**.
- Note 13:** The earliest recognition of a negative edge is possible at  $t_{\text{REH}}$  after  $V_{\text{TH}}$  has been reached on the preceding rising edge.
- Note 14:** Defines maximum possible bit rate. Equal to  $1/(t_{\text{WOLMIN}} + t_{\text{RECMIN}})$ .
- Note 15:** Interval during the negative edge on IO at the beginning of a presence-detect pulse between the time at which the voltage is 80% of  $V_{\text{PUP}}$  and the time at which the voltage is 20% of  $V_{\text{PUP}}$ .
- Note 16:** Interval after  $t_{\text{RSTL}}$  during which a bus master is guaranteed to sample a logic 0 on IO if there is a DS28EA00 present. Minimum limit is  $t_{\text{PDHMAX}} + t_{\text{FPDMAX}}$ ; the maximum limit is  $t_{\text{PDHMIN}} + t_{\text{PDLMIN}}$ .
- Note 17:**  $\epsilon$  in Figure 13 represents the time required for the pullup circuitry to pull the voltage on IO up from  $V_{\text{IL}}$  to  $V_{\text{TH}}$ . The actual maximum duration for the master to pull the line low is  $t_{\text{W1LMAX}} + t_{\text{F}} - \epsilon$  and  $t_{\text{W0LMAX}} + t_{\text{F}} - \epsilon$ , respectively.
- Note 18:**  $\delta$  in Figure 13 represents the time required for the pullup circuitry to pull the voltage on IO up from  $V_{\text{IL}}$  to the input-high threshold of the bus master. The actual maximum duration for the master to pull the line low is  $t_{\text{RLMAX}} + t_{\text{F}}$ .
- Note 19:** This load current is caused by the internal weak pullup, which asserts a logic 1 to the PIOB and PIOA pins. The logical state of PIOB must not change during the execution of the Conditional Read ROM command.
- Note 20:** Current drawn from IO during EEPROM programming or temperature conversion interval in parasite-powered mode. The pullup circuit on IO during the programming or temperature conversion interval should be such that the voltage at IO is greater than or equal to  $V_{\text{PUPMIN}}$ . If  $V_{\text{PUP}}$  in the system is close to  $V_{\text{PUPMIN}}$ , then a low-impedance bypass of  $R_{\text{PUP}}$ , which can be activated during programming or temperature conversions, may need to be added. The bypass must be activated within 10 $\mu\text{s}$  from the beginning of the  $t_{\text{PROG}}$  or  $t_{\text{CONV}}$  interval, respectively.
- Note 21:** The  $t_{\text{PROG}}$  interval begins  $t_{\text{REHMAX}}$  after the trailing rising edge on IO for the last time slot of the command byte for a valid Copy Scratchpad sequence. Interval ends once the device's self-timed EEPROM programming cycle is complete and the current drawn by the device has returned from  $I_{\text{PROG}}$  to  $I_{\text{L}}$  (parasite power) or  $I_{\text{DDDS}}$  (local power).
- Note 22:** Write-cycle endurance is degraded as  $T_A$  increases.
- Note 23:** Not 100% production tested. Guaranteed by reliability monitor sampling.
- Note 24:** Data retention is degraded as  $T_A$  increases.
- Note 25:** Guaranteed by 100% production test at elevated temperature for a shorter time; equivalence of this production test to data sheet limit at operating temperature range is established by reliability testing.
- Note 26:** The  $t_{\text{CONV}}$  interval begins  $t_{\text{REHMAX}}$  after the trailing rising edge on IO for the last time slot of the command byte for a valid convert temperature sequence. The interval ends once the device's self-timed temperature conversion cycle is complete and the current drawn by the device has returned from  $I_{\text{CONV}}$  to  $I_{\text{L}}$  (parasite power) or  $I_{\text{DDDS}}$  (local power).
- Note 27:** Drift data is preliminary and based on a 1000-hour stress test performed on another device with comparable design and fabricated in the same manufacturing process. This test was performed at greater than  $+85^{\circ}\text{C}$  with  $V_{\text{DD}} = +5.5\text{V}$ . Confirmed thermal drift results for this device are pending the completion of a new 1000-hour stress test.

# DS28EA00

## 1-Wire Digital Thermometer with Sequence Detect and PIO

### Pin Description

| PIN     | NAME                              | FUNCTION   |
|---------|-----------------------------------|--|
| 1       | IO                                | 1-Wire Bus Interface and Parasitic Power Supply. Open-drain pin that requires external pullup resistor.  |
| 2, 3, 5 | N.C.                              | No Connection  |
| 4       | GND                               | Ground Supply  |
| 6       | PIOA ( $\overline{\text{DONE}}$ ) | Open-Drain PIOA Channel and Chain Output. For sequence detection, PIOA must be connected to PIOB of the next device in the chain; leave open or connect to GND for the last device in the chain. |
| 7       | PIOB ( $\overline{\text{EN}}$ )   | Open-Drain PIOB Channel and Chain Input. For sequence detection, PIOB of the first device in the chain must be connected to GND.   |
| 8       | VDD                               | Power Supply. Must be connected to GND for operation in parasite-power mode.   |

### Detailed Description

The *Block Diagram* shows the relationships between the major function blocks of the DS28EA00. The device has three main data components: 64-bit registration number, 64-bit scratchpad, and alarm and configuration registers. The 1-Wire ROM function control unit processes the ROM function commands that allow the device to function in a networked environment. The device function control unit implements the device-specific control functions, such as read/write, temperature conversion, setting the chain state for sequence detection, and PIO access. The cyclic redundancy check (CRC) generator assists the master verifying data integrity when reading temperatures and memory data. In the sequence-detect process, PIOB functions as an input, while PIOA provides the connection to the next device. The power-supply sensor allows the master to remotely read whether the DS28EA00 has local power available.

Figure 1 shows the hierarchical structure of the 1-Wire protocol. The bus master must first provide one of the eight ROM function commands: Read ROM, Match ROM, Search ROM, Conditional (Alarm) Search ROM, Conditional Read ROM, Skip ROM, Overdrive-Skip ROM, Overdrive-Match ROM.

Upon completion of an overdrive ROM command executed at standard speed, the device enters overdrive mode, where all subsequent communication occurs at

a higher speed. The protocol required for these ROM function commands is described in Figure 11. After a ROM function command is successfully executed, the device-specific control functions become accessible and the master can provide any one of the nine available commands. The protocol for these control function commands is described in Figure 9. **All data is read and written least significant (LS) bit first.**

#### 64-Bit Registration Number

Each DS28EA00 contains a unique registration number that is 64 bits long. The first 8 bits are a 1-Wire family code. The next 48 bits are a unique serial number. The last 8 bits are a CRC of the first 56 bits (see Figure 2 for details). The 1-Wire CRC is generated using a polynomial generator consisting of a shift register and XOR gates as shown in Figure 3. The polynomial is  $X^8 + X^5 + X^4 + 1$ . Additional information about the 1-Wire CRC is available in Application Note 27: *Understanding and Using Cyclic Redundancy Checks with Maxim iButton® Products*.

The shift register bits are initialized to 0. Then starting with the least significant bit of the family code, one bit at a time is shifted in. After the eighth bit of the family code has been entered, then the 48-bit serial number is entered. After the last byte of the serial number has been entered, the shift register contains the CRC value. Shifting in the 8 bits of CRC returns the shift register to all 0s.

*iButton* is a registered trademark of Maxim Integrated Products, Inc.

# DS28EA00

## 1-Wire Digital Thermometer with Sequence Detect and PIO

### Block Diagram

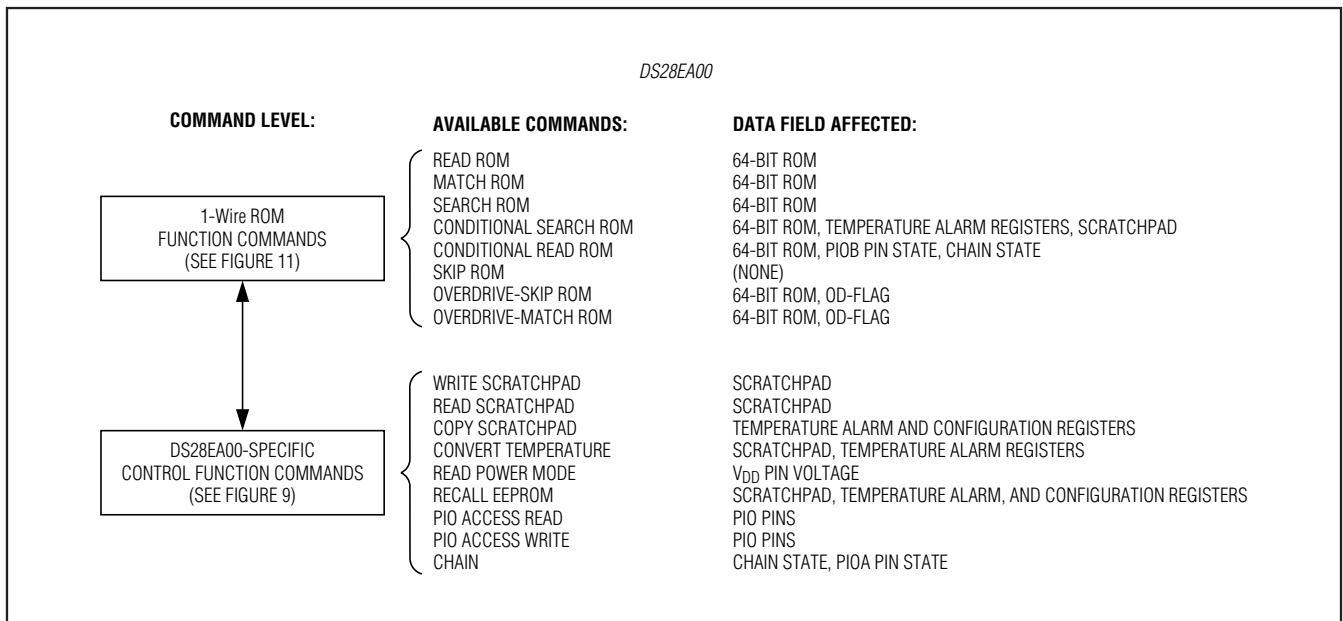
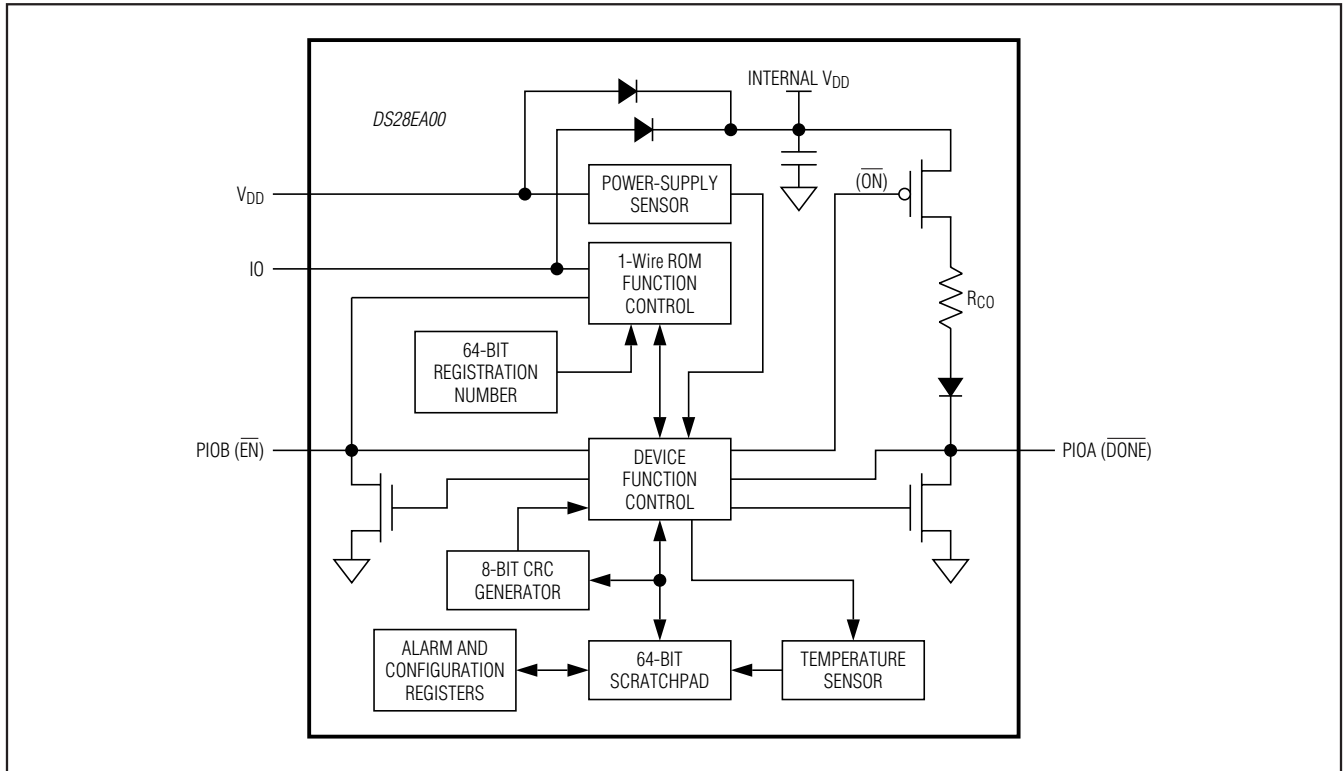


Figure 1. Hierarchical Structure for 1-Wire Protocol

# DS28EA00

## 1-Wire Digital Thermometer with Sequence Detect and PIO

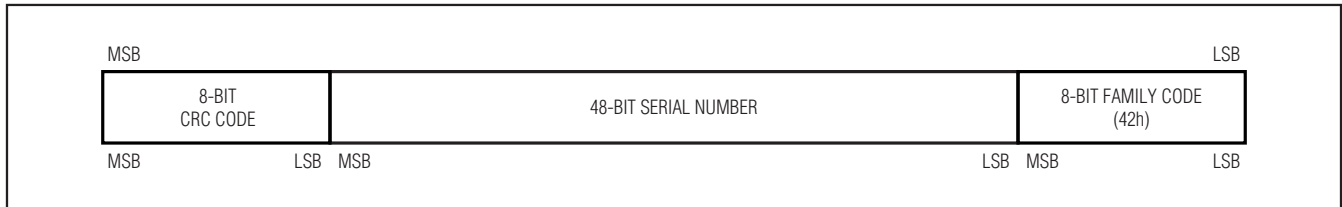


Figure 2. 64-Bit Registration Number

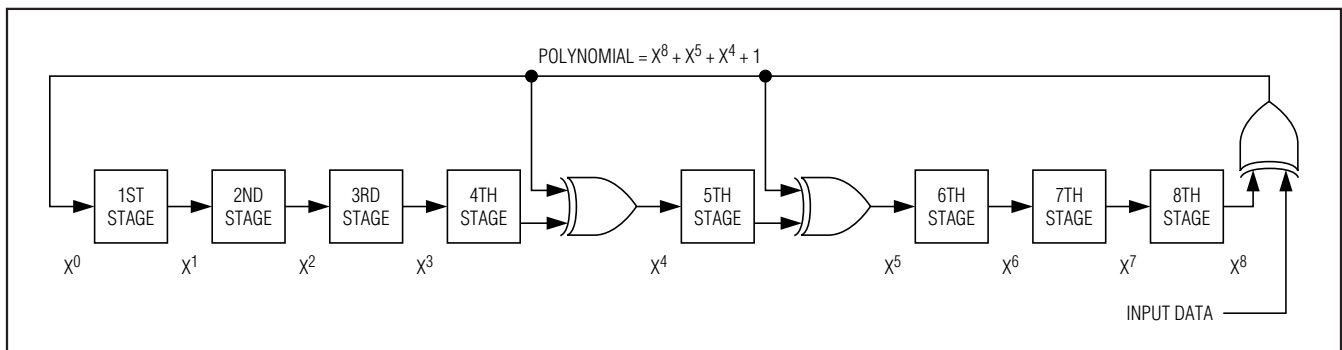


Figure 3. 1-Wire CRC Generator

### Memory Description

The memory map of the DS28EA00 is shown in Figure 4. It consists of an 8-byte scratchpad and 3 bytes of backup EEPROM. The first 2 bytes form the Temperature Readout register, which is updated after a temperature conversion and is read only. The next 3 bytes are user-writable; they contain the Temperature High (TH) and the Temperature Low (TL) Alarm register and a Configuration register. The remaining 3 bytes are “reserved.” They

power up with constant data and cannot be written by the user. The TH, TL, and Configuration register data in the scratchpad control the resolution of a temperature conversion and decide whether a temperature is considered as “alarming.” TH, TL, and Configuration can be copied to the EEPROM to become nonvolatile. The scratchpad is automatically loaded with EEPROM data when the DS28EA00 powers up.

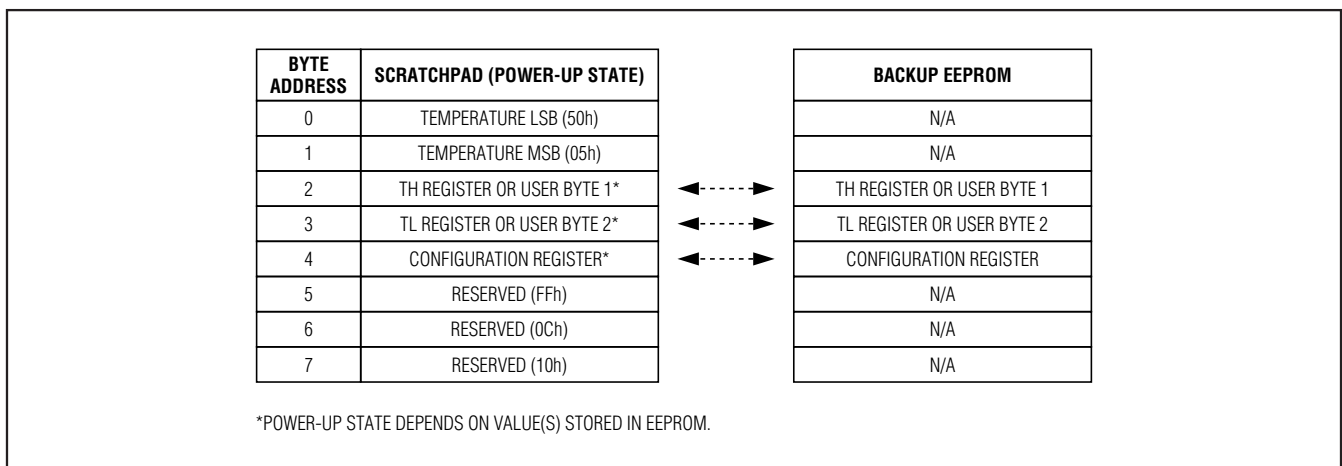


Figure 4. Memory Map

# DS28EA00

## 1-Wire Digital Thermometer with Sequence Detect and PIO

### Register Detailed Descriptions

#### Temperature Readout Register Bitmap

| ADDRESS | BIT 7          | BIT 6          | BIT 5          | BIT 4          | BIT 3           | BIT 2           | BIT 1           | BIT 0           |         |
|---------|----------------|----------------|----------------|----------------|-----------------|-----------------|-----------------|-----------------|---------|
| 0h      | 2 <sup>3</sup> | 2 <sup>2</sup> | 2 <sup>1</sup> | 2 <sup>0</sup> | 2 <sup>-1</sup> | 2 <sup>-2</sup> | 2 <sup>-3</sup> | 2 <sup>-4</sup> | LS BYTE |
| 1h      | S              | S              | S              | S              | S               | 2 <sup>6</sup>  | 2 <sup>5</sup>  | 2 <sup>4</sup>  | MS BYTE |

#### Temperature Alarm Registers Bitmap

| ADDRESS | BIT 7 | BIT 6          | BIT 5          | BIT 4          | BIT 3          | BIT 2          | BIT 1          | BIT 0          |                 |
|---------|-------|----------------|----------------|----------------|----------------|----------------|----------------|----------------|-----------------|
| 2h      | S     | 2 <sup>6</sup> | 2 <sup>5</sup> | 2 <sup>4</sup> | 2 <sup>3</sup> | 2 <sup>2</sup> | 2 <sup>1</sup> | 2 <sup>0</sup> | HIGH ALARM (TH) |
| 3h      | S     | 2 <sup>6</sup> | 2 <sup>5</sup> | 2 <sup>4</sup> | 2 <sup>3</sup> | 2 <sup>2</sup> | 2 <sup>1</sup> | 2 <sup>0</sup> | LOW ALARM (TL)  |

**Table 1. Temperature/Data Relationship**

| TEMPERATURE (°C) | DIGITAL OUTPUT (BINARY) | DIGITAL OUTPUT (HEX) |
|------------------|-------------------------|----------------------|
| +85*             | 0000 0101 0101 0000     | 0550h                |
| +25.0625         | 0000 0001 1001 0001     | 0191h                |
| +10.125          | 0000 0000 1010 0010     | 00A2h                |
| +0.5             | 0000 0000 0000 1000     | 0008h                |
| 0                | 0000 0000 0000 0000     | 0000h                |
| -0.5             | 1111 1111 1111 1000     | FFF8h                |
| -10.125          | 1111 1111 0101 1110     | FF5Eh                |
| -25.0625         | 1111 1110 0110 1111     | FE6Fh                |
| -40              | 1111 1101 1000 0000     | FD80h                |

\*The power-on reset value of the Temperature Readout register is +85°C.

The temperature reading is in °C using a 16-bit sign-extended two's complement format. Table 1 shows examples of temperature and the corresponding data for 12-bit resolution. With two's complement, the sign bit(s) is set if the value is negative. If the device is configured for 12-bit resolution, all bits in the LS byte are valid; for a reduced resolution, bit 0 (11-bit mode), bits 0 to 1 (10-bit mode), and bits 0 to 2 (9-bit mode) are undefined.

The result of a temperature conversion is automatically compared to the values in the alarm registers to determine whether an alarm condition exists. Alarm thresh-

olds are represented as two's complement number. With 8 bits available for sign and value, alarm thresholds can be set in increments of 1°C. An alarm condition exists if a temperature conversion results in a value that is either **higher than or equal to** the value stored in the TH register or **lower than or equal to** the value stored in the TL register. If a temperature alarm condition exists, the device responds to the Conditional Search ROM command. The alarm condition is cleared if a subsequent temperature conversion results in a temperature reading **within** the boundaries defined by the data in the TH and TL registers.



## 1-Wire Digital Thermometer with Sequence Detect and PIO

### Configuration Register

| ADDRESS | BIT 7 | BIT 6 | BIT 5 | BIT 4 | BIT 3 | BIT 2 | BIT 1 | BIT 0 |
|---------|-------|-------|-------|-------|-------|-------|-------|-------|
| 4h      | 0     | R1    | R0    | 1     | 1     | 1     | 1     | 1     |

The functional assignments of the individual bits are explained in the table below. Bits [4:0] and bit 7 have

no function and cannot be changed by the user. As a factory default, the device operates in 12-bit resolution.

| BIT DESCRIPTION                          | BIT(S) | DEFINITION   |    |    |            |   |   |        |   |   |         |   |   |         |   |   |         |
|--|--------|--|----|----|------------|---|---|--------|---|---|---------|---|---|---------|---|---|---------|
| R1, R0: Temperature Converter Resolution | [6:5]  | <p>These bits control the resolution of the temperature converter. The codes are as follows:</p> <table border="1"> <thead> <tr> <th>R1</th> <th>R0</th> <th>Resolution</th> </tr> </thead> <tbody> <tr> <td>0</td> <td>0</td> <td>9 bits</td> </tr> <tr> <td>0</td> <td>1</td> <td>10 bits</td> </tr> <tr> <td>1</td> <td>0</td> <td>11 bits</td> </tr> <tr> <td>1</td> <td>1</td> <td>12 bits</td> </tr> </tbody> </table> | R1 | R0 | Resolution | 0 | 0 | 9 bits | 0 | 1 | 10 bits | 1 | 0 | 11 bits | 1 | 1 | 12 bits |
| R1                                       | R0     | Resolution   |    |    |            |   |   |        |   |   |         |   |   |         |   |   |         |
| 0  | 0      | 9 bits   |    |    |            |   |   |        |   |   |         |   |   |         |   |   |         |
| 0  | 1      | 10 bits  |    |    |            |   |   |        |   |   |         |   |   |         |   |   |         |
| 1  | 0      | 11 bits  |    |    |            |   |   |        |   |   |         |   |   |         |   |   |         |
| 1  | 1      | 12 bits  |    |    |            |   |   |        |   |   |         |   |   |         |   |   |         |

### PIO Structure

Each PIO consists of an open-drain pulldown transistor and an input path to read the pin state. The transistor is controlled by the PIO output latch, as shown in Figure 5. The device function control unit connects the PIO pins logically to the 1-Wire interface. PIOA has a pullup path to internal  $V_{DD}$  to facilitate the sequence-detect function (see the *Block Diagram*) in conjunction with the Chain command; PIOB is truly an open-drain structure. The power-on default state of the PIO output transistors is off; high-impedance, on-chip resistors (not shown in Figure 5) pull the PIO pins to internal  $V_{DD}$ .

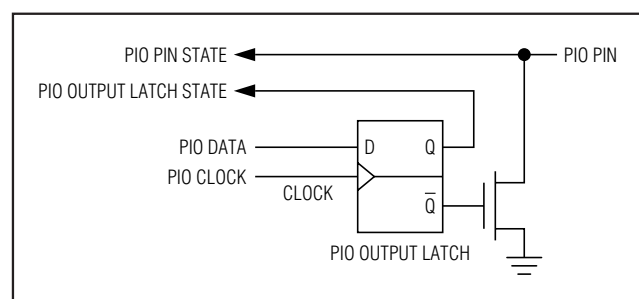


Figure 5. PIO Simplified Logic Diagram

### Chain Function

The chain function is a feature that allows the 1-Wire master to discover the physical sequence of devices that are wired as a linear network (chain). This is particularly convenient for devices that are installed at equal spacing along a long cable (e.g., to measure temperatures at different locations inside a storage tower or tank). Without chain function, the master needs a lookup table to correlate the registration number to the physical location.

The chain function requires two pins: an input ( $\overline{EN}$ ) to enable a device to respond during the discovery and an output ( $\overline{DONE}$ ) to inform the next device in the chain that the discovery of its neighbor is done. The two gen-

eral-purpose ports of the DS28EA00 are reused for the chain function. PIOB functions as an  $\overline{EN}$  input and PIOA generates the  $\overline{DONE}$  signal, which is connected to the  $\overline{EN}$  input of the next device, as shown in the *Typical Operating Circuit*. The  $\overline{EN}$  input of the first device in the chain needs to be hardwired to GND or logic 0 must be applied for the duration of the sequence discovery process. Besides the two pins, the sequence discovery relies on the Conditional Read ROM command.

For the chain function and normal PIO operation to coexist, the DS28EA00 distinguishes three chain states: OFF, ON, and DONE. The transition from one chain state to another is controlled through the Chain command. Table 2 summarizes the chain states and the specific behavior of the PIO pins.

Table 2. Chain States

| CHAIN STATE   | DEVICE BEHAVIOR          |  |                                    |
|---------------|--------------------------|--|------------------------------------|
|               | PIOB ( $\overline{EN}$ ) | PIOA ( $\overline{DONE}$ )               | CONDITIONAL READ ROM               |
| OFF (Default) | PIO (High Impedance)     | PIO (High Impedance)                     | Not Recognized                     |
| ON            | $\overline{EN}$ Input    | Pullup On                                | Recognized if $\overline{EN}$ is 0 |
| DONE          | No Function              | Pulldown On ( $\overline{DONE}$ Logic 0) | Not Recognized                     |

# DS28EA00

## 1-Wire Digital Thermometer with Sequence Detect and PIO

The power-on default chain state is OFF, where P1OA and P1OB are solely controlled through the PIO Access Read and Write commands. In the chain ON state, P1OA is pulled high to the device's internal  $V_{DD}$  supply through an approximately  $40k\Omega$  resistor, applying a logic 1 to the P1OB ( $\overline{EN}$ ) pin of the next device. Only in the ON state does a DS28EA00 respond to the Conditional Read ROM command, provided its  $\overline{EN}$  is at logic 0. After a device's ROM registration number is read, it is put into the chain DONE state, which enables the next device in the chain to respond to the Conditional Read ROM command.

At the beginning of the sequence discovery process, all devices are put into the chain ON state. As the discovery progresses, one device after another is transitioned into the DONE state until all devices are identified. Finally, all devices are put into the chain OFF state, which releases the PIO pins and restores their power-on default state.

### Control Function Commands

Figure 9 shows the protocols necessary for measuring temperatures, accessing the memory and PIO pins, and changing the chain state. Examples on how to use these and other functions are included at the end of this document. The communication between master and DS28EA00 takes place either at standard speed (default,  $OD = 0$ ) or at overdrive speed ( $OD = 1$ ). If not explicitly set into the overdrive mode after power-up, the DS28EA00 communicates at standard speed.

#### Write Scratchpad [4Eh]

This command allows the master to write 3 bytes of data to the scratchpad of the DS28EA00. The first data byte is associated with the TH register (byte address 2), the second byte is associated with the TL register (byte address 3), and the third byte is associated with the Configuration register (byte address 4). Data must be transmitted least significant bit first. All 3 bytes must be written before the master issues a reset, or the data can be corrupted.

#### Read Scratchpad [BEh]

This command allows the master to read the contents of the scratchpad. The data transfer starts with the least significant bit of the Temperature Readout register at byte address 0 and continues through the remaining 7 bytes of the scratchpad. If the master continues reading, it gets a ninth byte, which is an 8-bit CRC of all the data in the scratchpad. This CRC is generated by the DS28EA00 and uses the same polynomial function as is

used with the ROM registration number. The CRC is transmitted in its true (noninverted) form. The master can issue a reset to terminate the reading early if only part of the scratchpad data is needed.

#### Copy Scratchpad [48h]

This command copies the contents of the scratchpad byte addresses 2 to 4 (TH, TL, and Configuration registers) to the backup EEPROM. If the device has no  $V_{DD}$  power, the master must enable a strong pullup on the 1-Wire bus for the duration of  $t_{PROGMAX}$  within  $10\mu s$  after this command is issued. If the device is powered through the  $V_{DD}$  pin, the master can generate read time slots to monitor the copy process. Copy is completed when the master reads 1 bits instead of 0 bits.

#### Convert Temperature [44h]

This command initiates a temperature conversion. Following the conversion, the resulting thermal data is found in the Temperature Readout register in the scratchpad and the DS28EA00 returns to its low-power idle state. If the device has no  $V_{DD}$  power, the master must enable a strong pullup on the 1-Wire bus for the duration of the applicable resolution-dependent  $t_{CONVMAX}$  within  $10\mu s$  after this command is issued. If the device is powered through the  $V_{DD}$  pin, the master can generate read time slots to monitor the conversion process. The conversion is completed when the master reads 1 bits instead of 0 bits.

#### Read Power Mode [B4h]

For Copy Scratchpad and Convert Temperature, the master needs to know whether the DS28EA00 has  $V_{DD}$  power available. The Read Power Mode command is implemented to provide the master with this information. After the command code, master issues read time slots. If the master reads 1s, the device is powered through the  $V_{DD}$  pin. If the device is powered through the 1-Wire line, the master read 0s. The power-supply sensor samples the state of the  $V_{DD}$  pin for every time slot that the master generates after the command code.

#### Recall EEPROM [B8h]

This command recalls the TH and TL alarm trigger values and configuration data from backup EEPROM into their respective locations in the scratchpad. After having transmitted the command code, the master can issue read time slots to monitor the completion of the recall process. Recall is completed when the master reads 1 bits instead of 0 bits. The recall occurs automatically at power-up, not requiring any activity by the master.

## 1-Wire Digital Thermometer with Sequence Detect and PIO

### PIO Status Bit Assignment

| BIT 7                  | BIT 6 | BIT 5 | BIT 4 | BIT 3                   | BIT 2          | BIT 1                   | BIT 0          |
|------------------------|-------|-------|-------|-------------------------|----------------|-------------------------|----------------|
| COMPLEMENT OF B3 TO B0 |       |       |       | PIOB OUTPUT LATCH STATE | PIOB PIN STATE | PIOA OUTPUT LATCH STATE | PIOA PIN STATE |

### PIO Output Data Bit Assignment

| BIT 7 | BIT 6 | BIT 5 | BIT 4 | BIT 3 | BIT 2 | BIT 1 | BIT 0 |
|-------|-------|-------|-------|-------|-------|-------|-------|
| X     | X     | X     | X     | X     | X     | PIOB  | PIOA  |

### PIO Access Read [F5h]

This command reads the PIO logical status and reports it together with the state of the PIO output latch in an endless loop. A PIO Access Read can be terminated at any time with a 1-Wire reset. PIO Access Read can be executed in the Chain ON and Chain DONE state. While the device is in the Chain ON or Chain DONE state, the PIO output latch states always read out as 1s; the PIO pin state may not be reported correctly.

The state of both PIO channels is sampled at the same time. The first sampling occurs during the last (most significant) bit of the command code F5h. The PIO status is then reported to the bus master. While the master receives the last (most significant) bit of the PIO status byte, the next sampling occurs and so on until the master generates a 1-Wire reset. The sampling occurs with a delay of  $t_{REH} + x$  from the rising edge of the MS bit of the previous byte, as shown in Figure 6. The value of "x" is approximately 0.2 $\mu$ s.

### PIO Access Write [A5h]

The PIO Access Write command writes to the PIO output latches, which control the pull-down transistors of the PIO channels. In an endless loop, this command first writes new data to the PIO and then reads back the PIO status. This implicit read-after-write can be used by the master for status verification. A PIO Access Write can be terminated at any time with a 1-Wire reset. The PIO Access Write command is ignored by the device while in Chain ON or Chain DONE state.

After the command code, the master transmits a PIO output data byte that determines the new state of the PIO output transistors. The first (least significant) bit is associated to PIOA; the next bit affects PIOB. The other 6 bits of the new state byte do not have corresponding PIO pins. These bits should always be transmitted as 1s. To switch the output transistor on, the corresponding bit value is 0. To switch the output transistor off (non-conducting), the bit must be 1. This way the bit transmitted

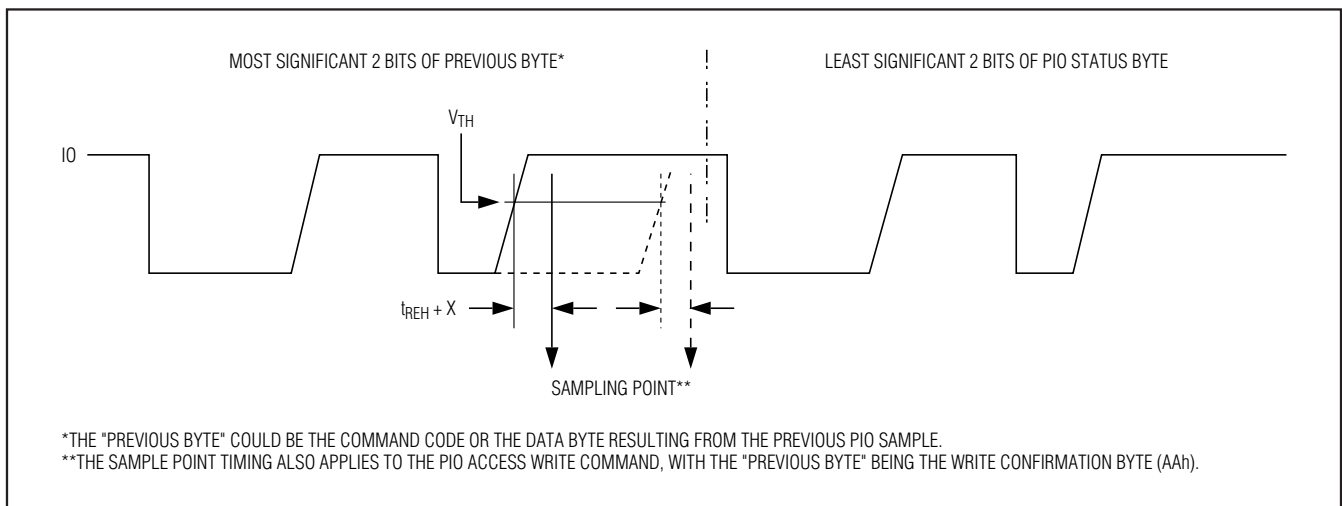


Figure 6. PIO Access Read Timing Diagram

# DS28EA00

## 1-Wire Digital Thermometer with Sequence Detect and PIO

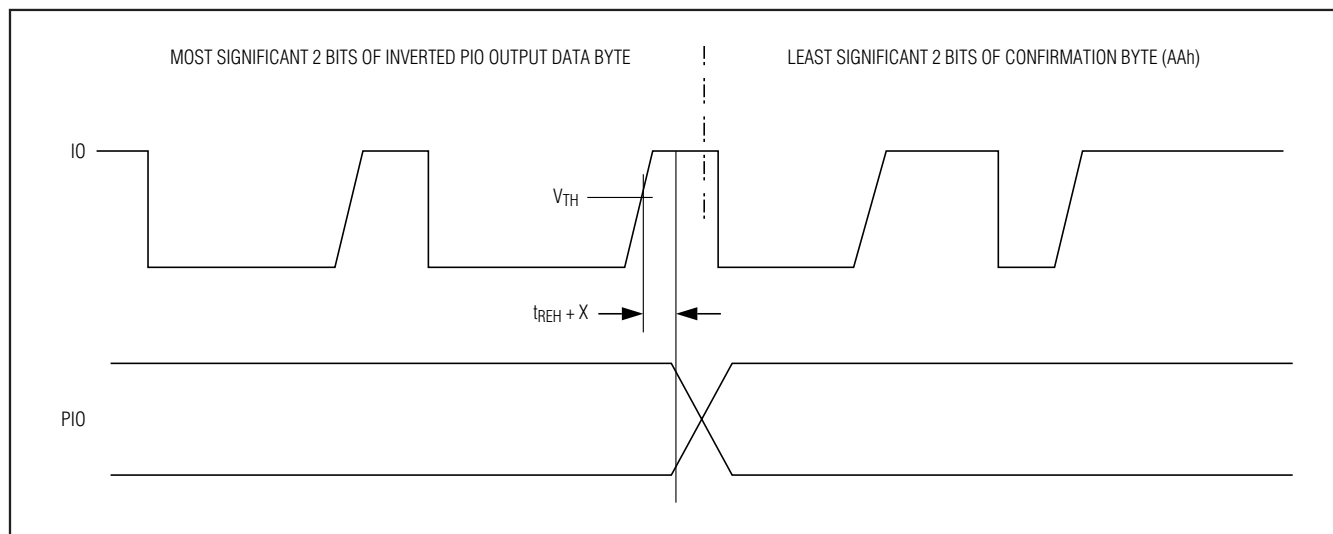


Figure 7. PIO Access Write Timing Diagram

as the new PIO output state arrives in its true form at the PIO pin. To protect the transmission against data errors, the master must repeat the PIO output data byte in its inverted form. Only if the transmission was error-free can the PIO status change. The actual PIO transition to the new state occurs with a delay of  $t_{REH} + x$  from the rising edge of the MS bit of the inverted PIO byte, as shown in Figure 7. The value of “x” is approximately  $0.2\mu s$ . To inform the master about the successful communication of the PIO byte, the DS28EA00 transmits a confirmation byte with the data pattern AAh. While the MS bit of the confirmation byte is transmitted, the DS28EA00 samples the state of the PIO pins, as shown in Figure 6, and sends it to the master. The master can either continue writing more data to the PIO or issue a 1-Wire reset to end the command.

### Chain [99h]

This command allows the master to put the DS28EA00 into one of the three chain states, as shown in Figure 8. The device powers up in the chain OFF state. To transition a DS28EA00 from one state to another, the master must send a suitable chain control byte after the Chain command code. Only the codes 3Ch, 5Ah, and 96h (true form) are valid, assigned to OFF, ON, and DONE,

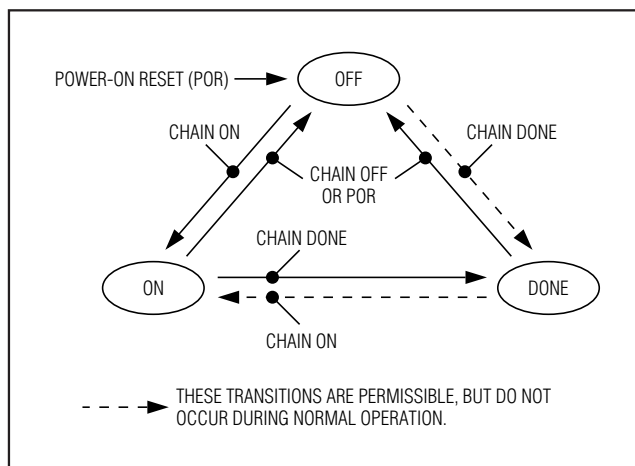


Figure 8. Chain State Transition Diagram

in this sequence. This control byte is first transmitted in its true form and then in its inverted form. If the chain state change was successful, the master receives AAh confirmation bytes. If the change was not successful (control byte transmission error, invalid control byte), the master reads 00h bytes instead.

## 1-Wire Digital Thermometer with Sequence Detect and PIO

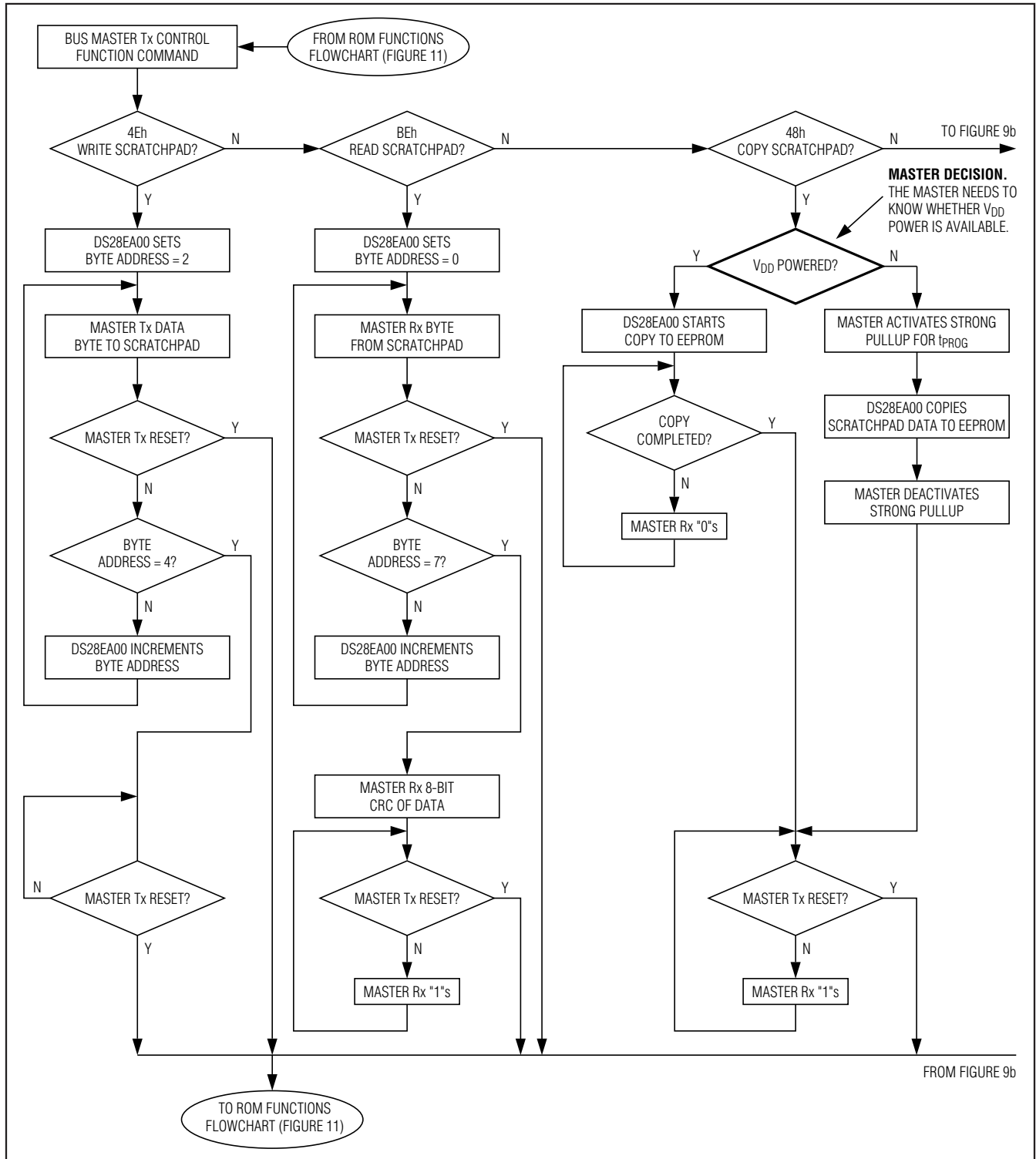


Figure 9a. Control Function Flowchart

# DS28EA00

## 1-Wire Digital Thermometer with Sequence Detect and PIO

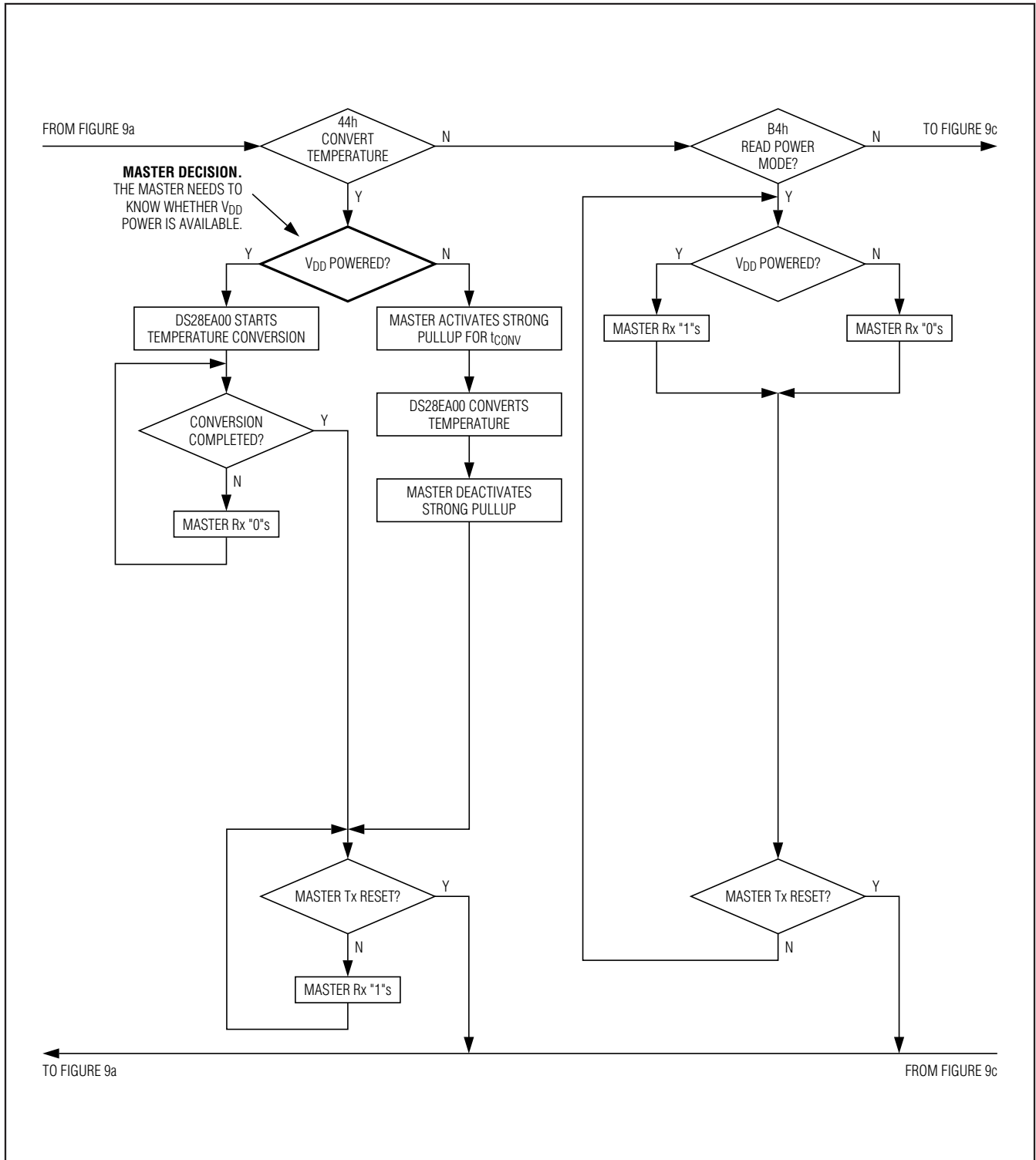


Figure 9b. Control Function Flowchart

## 1-Wire Digital Thermometer with Sequence Detect and PIO



Figure 9c. Control Function Flowchart

# DS28EA00

## 1-Wire Digital Thermometer with Sequence Detect and PIO

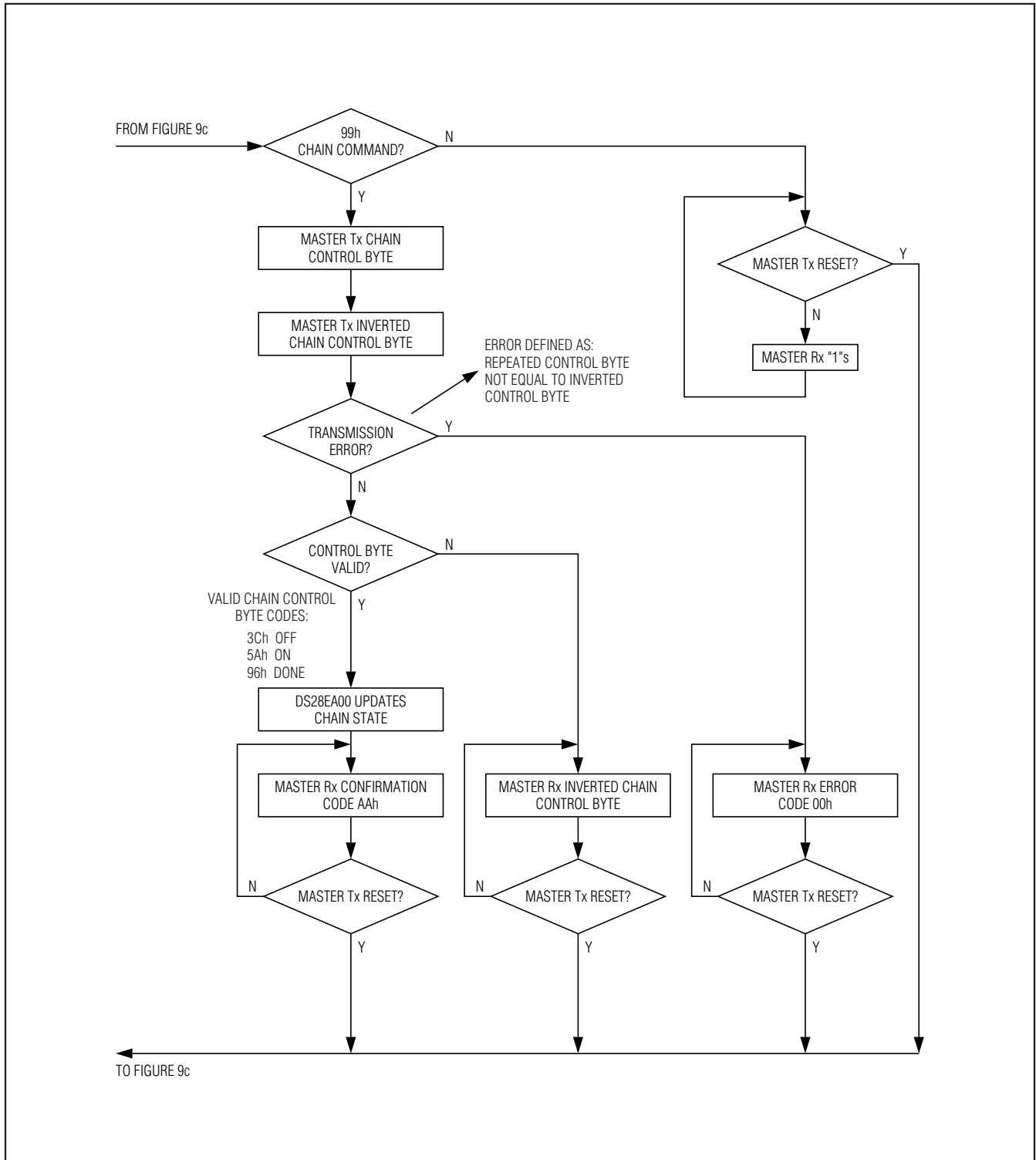


Figure 9d. Control Function Flowchart



## 1-Wire Digital Thermometer with Sequence Detect and PIO

### 1-Wire Bus System

The 1-Wire bus is a system that has a single bus master and one or more slaves. In all instances the DS28EA00 is a slave device. The bus master is typically a microcontroller. The discussion of this bus system is broken down into three topics: hardware configuration, transaction sequence, and 1-Wire signaling (signal types and timing). The 1-Wire protocol defines bus transactions in terms of the bus state during specific time slots, which are initiated on the falling edge of sync pulses from the bus master.

### Hardware Configuration

The 1-Wire bus has only a single line by definition; it is important that each device on the bus be able to drive it at the appropriate time. To facilitate this, each device attached to the 1-Wire bus must have open-drain or three-state outputs. The 1-Wire port of the DS28EA00 is open drain with an internal circuit equivalent to that shown in Figure 10.

A multidrop bus consists of a 1-Wire bus with multiple slaves attached. The DS28EA00 supports both a standard and overdrive communication speed of 15.3kbps (max) and 125kbps (max), respectively. Note that legacy 1-Wire products support a standard communication speed of 16.3kbps and overdrive of 142kbps. The slightly reduced rates for the DS28EA00 are a result of additional recovery times, which in turn are driven by a

1-Wire physical interface enhancement to improve noise immunity. The value of the pullup resistor primarily depends on the network size and load conditions. The DS28EA00 requires a pullup resistor of 2.2k $\Omega$  (max) at any speed.

The idle state for the 1-Wire bus is high. If for any reason a transaction needs to be suspended, the bus must be left in the idle state if the transaction is to resume. If this does not occur and the bus is left low for more than 16 $\mu$ s (overdrive speed) or more than 120 $\mu$ s (standard speed), one or more devices on the bus could be reset.

### Transaction Sequence

The protocol for accessing the DS28EA00 through the 1-Wire port is as follows:

- Initialization
- ROM Function Command
- Control Function Command
- Transaction/Data

### Initialization

All transactions on the 1-Wire bus begin with an initialization sequence. The initialization sequence consists of a reset pulse transmitted by the bus master followed by presence pulse(s) transmitted by the slave(s). The presence pulse lets the bus master know that the DS28EA00 is on the bus and is ready to operate. For more details, see the *1-Wire Signaling* section.

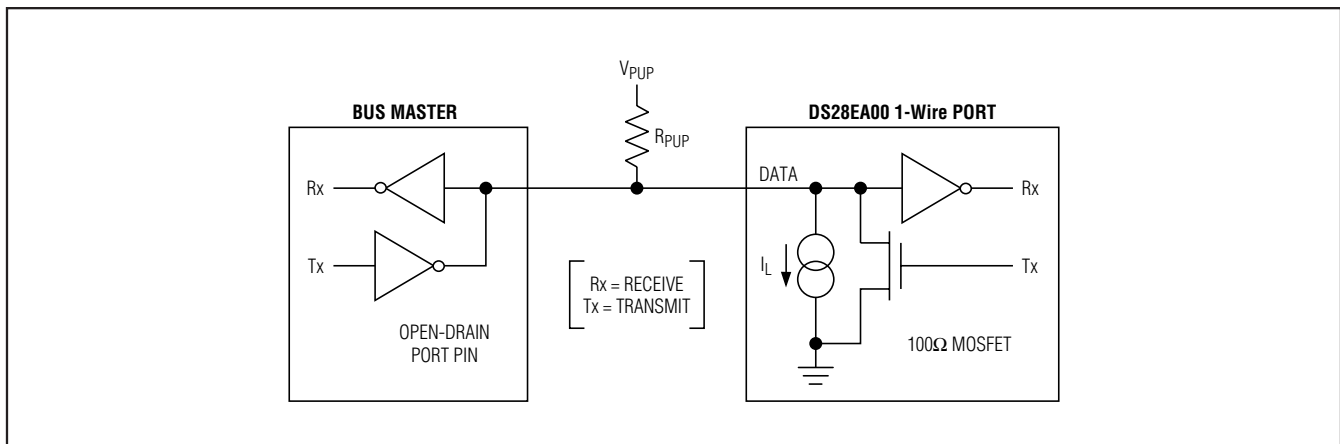


Figure 10. Hardware Configuration

# DS28EA00

## 1-Wire Digital Thermometer with Sequence Detect and PIO

### 1-Wire ROM Function Commands

Once the bus master has detected a presence, it can issue one of the eight ROM function commands that the DS28EA00 supports. All ROM function commands are 8 bits long. A list of these commands follows (refer to the flowchart in Figure 11).

#### Read ROM [33h]

This command allows the bus master to read the DS28EA00's 8-bit family code, unique 48-bit serial number, and 8-bit CRC. This command can only be used if there is a single slave on the bus. If more than one slave is present on the bus, a data collision occurs when all slaves try to transmit at the same time (open drain produces a wired-AND result). The resultant family code and 48-bit serial number result in a mismatch of the CRC.

#### Match ROM [55h]

The Match ROM command, followed by a 64-bit ROM sequence, allows the bus master to address a specific DS28EA00 on a multidrop bus. Only the DS28EA00 that exactly matches the 64-bit ROM sequence responds to the following Control Function command. All other slaves wait for a reset pulse. This command can be used with a single device or multiple devices on the bus.

#### Search ROM [F0h]

When a system is initially brought up, the bus master might not know the number of devices on the 1-Wire bus or their registration numbers. By taking advantage of the wired-AND property of the bus, the master can use a process of elimination to identify the registration numbers of all slave devices. For each bit of the registration number, starting with the least significant bit, the bus master issues a triplet of time slots. On the first slot, each slave device participating in the search outputs the true value of its registration number bit. On the second slot, each slave device participating in the search outputs the complemented value of its registration number bit. On the third slot, the master writes the true value of the bit to be selected. All slave devices that do not match the bit written by the master stop participating in the search. If both of the read bits are zero, the

master knows that slave devices exist with both states of the bit. By choosing which state to write, the bus master branches in the ROM code tree. After one complete pass, the bus master knows the registration number of a single device. Additional passes identify the registration numbers of the remaining devices. Refer to Application Note 187: *1-Wire Search Algorithm* for a detailed discussion, including an example. The Search ROM command does not reveal any information about the location of a device in a network. If multiple DS28EA00 are wired as a linear network ("chain"), the device location can be detected using Conditional Read ROM in conjunction with the Chain function.

#### Conditional Search ROM [ECh]

The Conditional Search ROM command operates similarly to the Search ROM command except that only those devices which fulfill certain conditions, participate in the search. This function provides an efficient means for the bus master to identify devices on a multidrop system that have to signal an important event. After each pass of the conditional search that successfully determined the 64-bit ROM code for a specific device on the multidrop bus, that particular device can be individually accessed as if a Match ROM had been issued, since all other devices have dropped out of the search process and are waiting for a reset pulse. The DS28EA00 responds to the Conditional Search ROM command if a temperature alarm condition exists. For more details see the *Temperature Alarm Registers Bitmap* section.

#### Conditional Read ROM [0Fh]

This command is used in conjunction with the Chain function to detect the physical sequence of devices in a linear network (chain). A DS28EA00 responds to Conditional Read ROM if two conditions are met: a) the device is in chain ON state, and b) the  $\overline{EN}$  input (PIOB) is at logic 0. This condition is met by exactly one device during the sequence discovery process. Upon receiving the Conditional Read ROM command, this particular device transmits its 64-bit registration number. A device in chain ON state, but with a logic 1 level at  $\overline{EN}$  does not respond to Conditional Read ROM. See the *Sequence Discovery Procedure* section for more details on the use of Conditional Read ROM and the Chain commands.

## 1-Wire Digital Thermometer with Sequence Detect and PIO

### **Skip ROM [CCh]**

This command can save time in a single-drop bus system by allowing the bus master to access the control functions without providing the 64-bit ROM code. If more than one slave is present on the bus and, for example, a read command is issued following the Skip ROM command, data collision occurs on the bus as multiple slaves transmit simultaneously (open-drain pulldowns produce a wired-AND result).

### **Overdrive-Skip ROM [3Ch]**

On a single-drop bus this command can save time by allowing the bus master to access the control functions without providing the 64-bit ROM code. Unlike the normal Skip ROM command, the Overdrive-Skip ROM sets the DS28EA00 in the overdrive mode (OD = 1). All communication following this command has to occur at overdrive speed until a reset pulse of minimum 480µs duration resets all devices on the bus to standard speed (OD = 0).

When issued on a multidrop bus, this command sets all overdrive-supporting devices into overdrive mode. To subsequently address a specific overdrive-supporting device, a reset pulse at overdrive speed has to be

issued followed by a Match ROM or Search ROM command sequence. This speeds up the time for the search process. If more than one slave supporting overdrive is present on the bus and the Overdrive-Skip ROM command is followed by a Read command, data collision occurs on the bus as multiple slaves transmit simultaneously (open-drain pulldowns produce a wired-AND result).

### **Overdrive-Match ROM [69h]**

The Overdrive-Match ROM command followed by a 64-bit ROM sequence transmitted at overdrive speed allows the bus master to address a specific DS28EA00 on a multidrop bus and to simultaneously set it in overdrive mode. Only the DS28EA00 that exactly matches the 64-bit ROM sequence responds to the subsequent control function command. Slaves already in overdrive mode from a previous Overdrive-Skip ROM or successful Overdrive-Match ROM command remain in overdrive mode. All overdrive-capable slaves return to standard speed at the next reset pulse of minimum 480µs duration. The Overdrive-Match ROM command can be used with a single device or multiple devices on the bus.

# DS28EA00

## 1-Wire Digital Thermometer with Sequence Detect and PIO

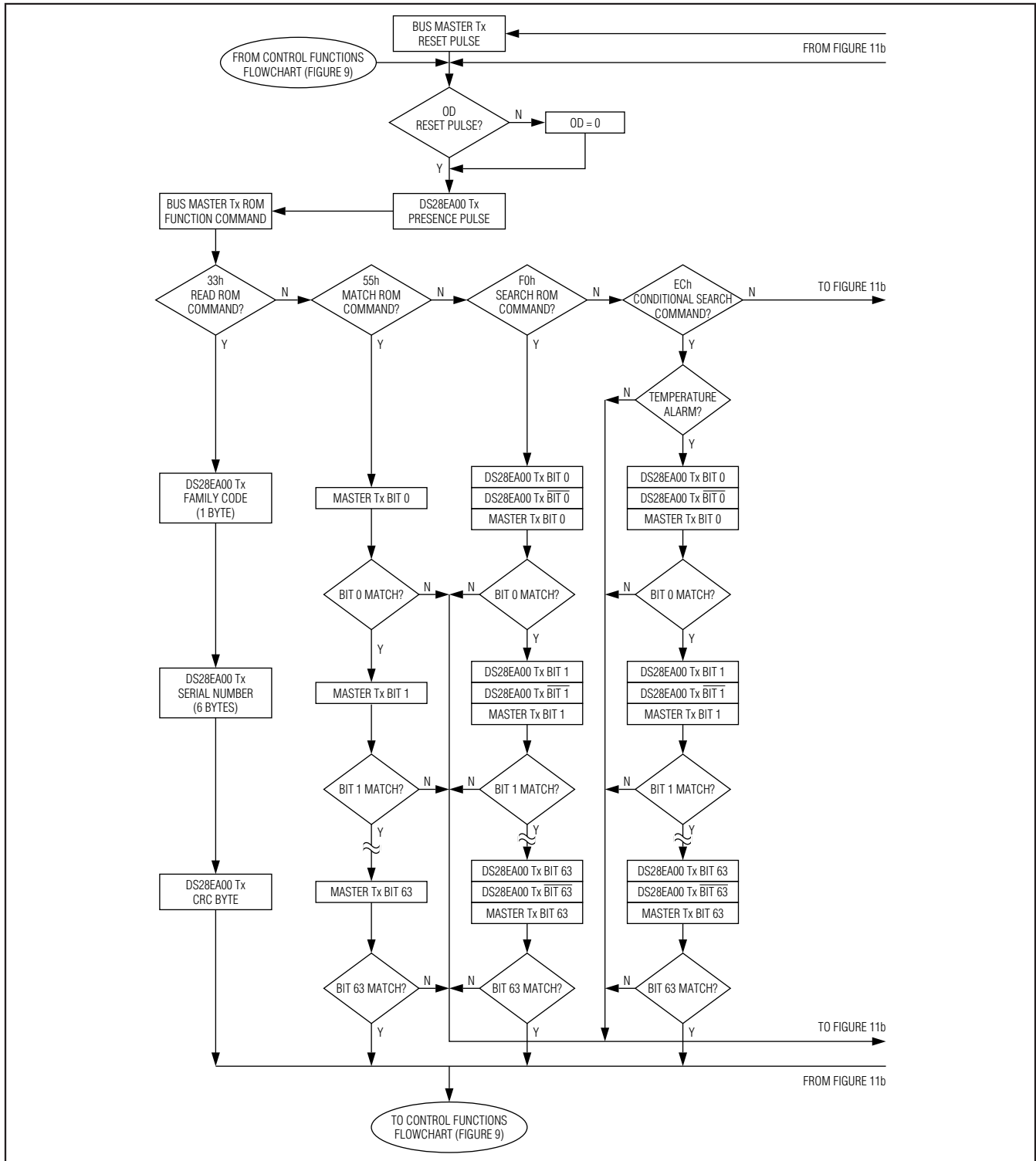


Figure 11a. ROM Functions Flowchart

## 1-Wire Digital Thermometer with Sequence Detect and PIO

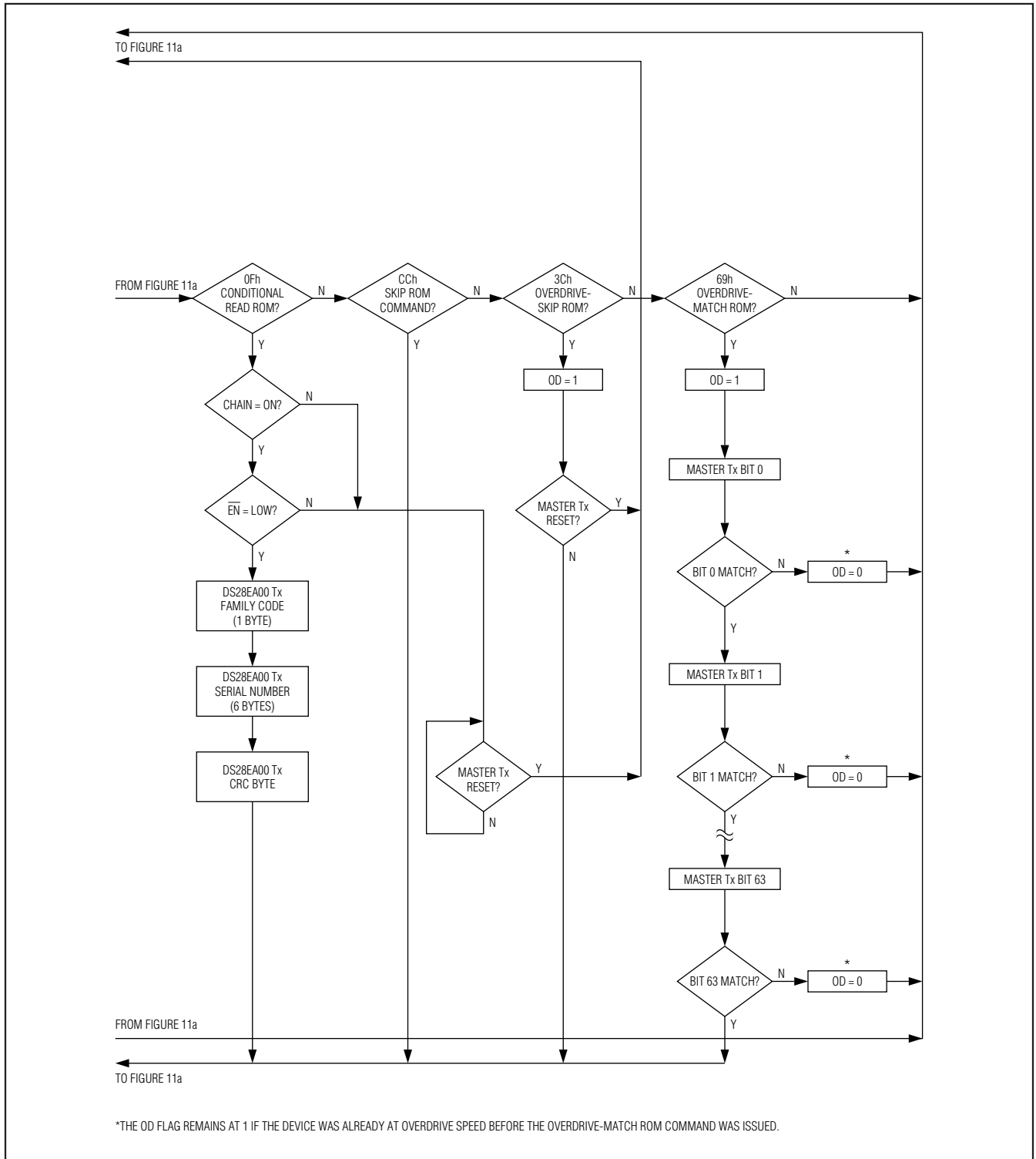


Figure 11b. ROM Functions Flowchart

# DS28EA00

## 1-Wire Digital Thermometer with Sequence Detect and PIO

### 1-Wire Signaling

The DS28EA00 requires strict protocols to ensure data integrity. The protocol consists of four types of signaling on one line: reset pulse and presence pulse, write-zero, write-one, and read-data. Except for the presence pulse, the bus master initiates all falling edges. The DS28EA00 can communicate at two different speeds, standard speed and overdrive speed. If not explicitly set into the overdrive mode, the DS28EA00 communicates at standard speed. While in overdrive mode the fast timing applies to all waveforms.

To get from idle to active, the voltage on the 1-Wire line needs to fall from  $V_{PUP}$  below the threshold  $V_{TL}$ . To get from active to idle, the voltage needs to rise from  $V_{ILMAX}$  past the threshold  $V_{TH}$ . The time it takes for the voltage to make this rise is seen in Figure 12 as “ $\epsilon$ ” and its duration depends on the pullup resistor ( $R_{PUP}$ ) used and the capacitance of the 1-Wire network attached. The voltage  $V_{ILMAX}$  is relevant for the DS28EA00 when determining a logical level, not triggering any events.

Figure 12 shows the initialization sequence required to begin any communication with the DS28EA00. A reset pulse followed by a presence pulse indicates the DS28EA00 is ready to receive data, given the correct ROM and control function command. If the bus master uses slew-rate control on the falling edge, it must pull down the line for  $t_{RSTL} + t_F$  to compensate for the edge. A  $t_{RSTL}$  duration of  $480\mu s$  or longer exits the overdrive mode, returning the device to standard speed. If the DS28EA00 is in overdrive mode and  $t_{RSTL}$  is no longer than  $80\mu s$ , the device remains in overdrive mode. If the

device is in overdrive mode and  $t_{RSTL}$  is between  $80\mu s$  and  $480\mu s$ , the device resets, but the communication speed is undetermined.

After the bus master has released the line, it goes into receive mode. Now the 1-Wire bus is pulled to  $V_{PUP}$  through the pullup resistor, or in the case of a DS2482-x00 or DS2480B driver, by active circuitry. When the threshold  $V_{TH}$  is crossed, the DS28EA00 waits for  $t_{PDH}$  and then transmits a presence pulse by pulling the line low for  $t_{PDL}$ . To detect a presence pulse, the master must test the logical state of the 1-Wire line at  $t_{MSP}$ .

The  $t_{RSTH}$  window must be at least the sum of  $t_{PDHMAX}$ ,  $t_{PDLMAX}$ , and  $t_{RECMIN}$ . Immediately after  $t_{RSTH}$  is expired, the DS28EA00 is ready for data communication. In a mixed population network,  $t_{RSTH}$  should be extended to minimum  $480\mu s$  at standard speed and  $48\mu s$  at overdrive speed to accommodate other 1-Wire devices.

### Read/Write Time Slots

Data communication with the DS28EA00 takes place in time slots, which carry a single bit each. Write time slots transport data from bus master to slave. Read time slots transfer data from slave to master. Figure 13 illustrates the definitions of the write and read time slots.

All communication begins with the master pulling the data line low. As the voltage on the 1-Wire line falls below the threshold  $V_{TL}$ , the DS28EA00 starts its internal timing generator that determines when the data line is sampled during a write time slot and how long data is valid during a read time slot.

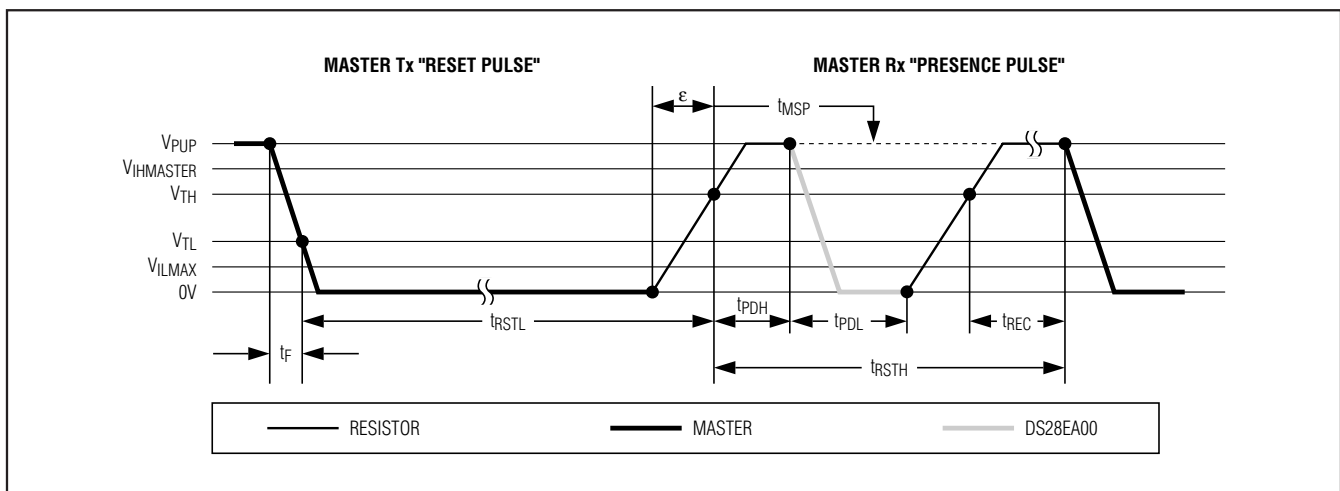


Figure 12. Initialization Procedure "Reset and Presence Pulses"

# DS28EA00

## 1-Wire Digital Thermometer with Sequence Detect and PIO

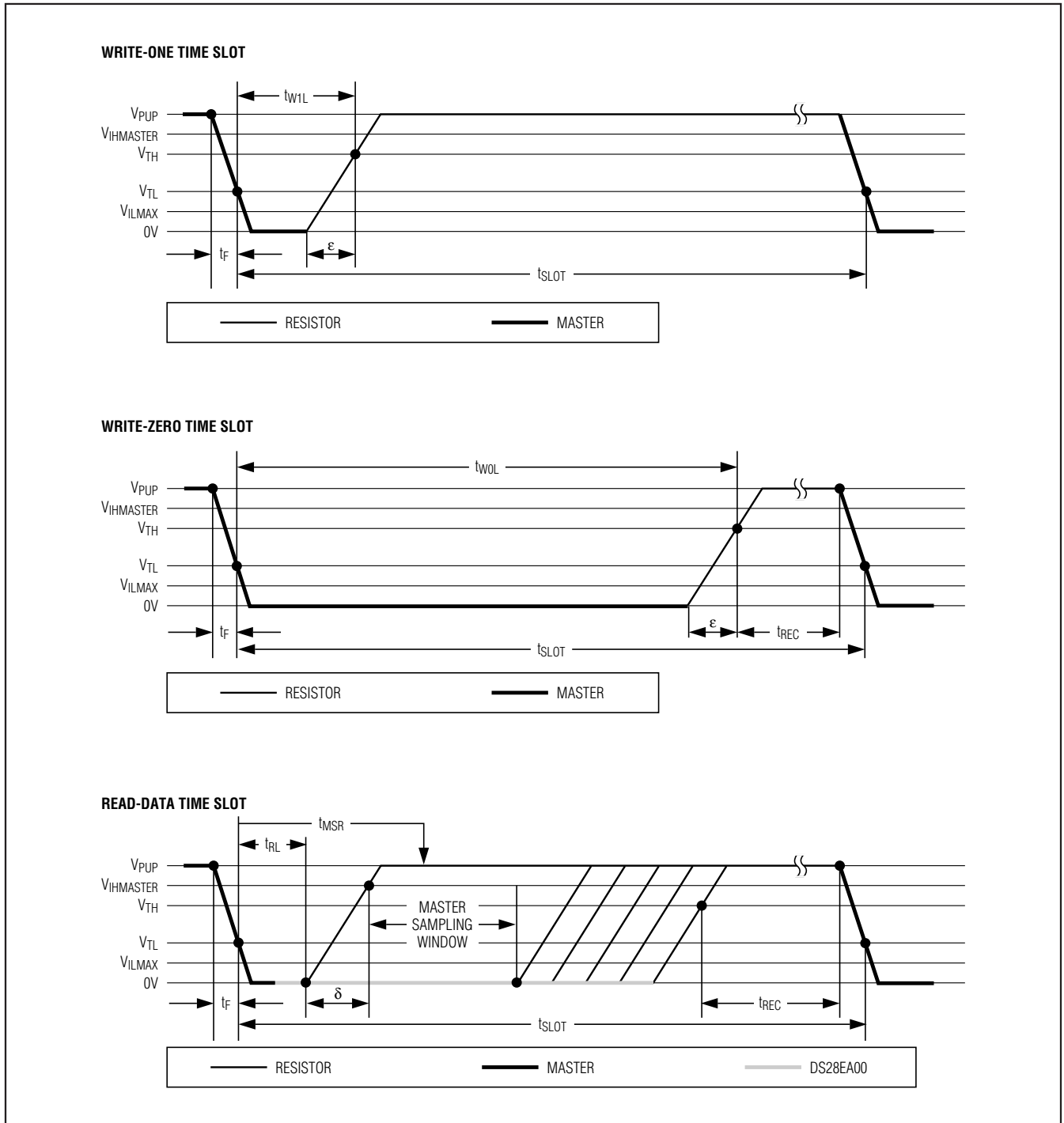


Figure 13. Read/Write Timing Diagram

# DS28EA00

## 1-Wire Digital Thermometer with Sequence Detect and PIO

### Master-to-Slave

For a **write-one** time slot, the voltage on the data line must have crossed the  $V_{TH}$  threshold before the write-one low time  $t_{W1LMAX}$  is expired. For a **write-zero** time slot, the voltage on the data line must stay below the  $V_{TH}$  threshold until the write-zero low time  $t_{W0LMIN}$  is expired. For the most reliable communication, the voltage on the data line should not exceed  $V_{ILMAX}$  during the entire  $t_{W0L}$  or  $t_{W1L}$  window. After the  $V_{TH}$  threshold has been crossed, the DS28EA00 needs a recovery time  $t_{REC}$  before it is ready for the next time slot.

### Slave-to-Master

A **read-data** time slot begins like a write-one time slot. The voltage on the data line must remain below  $V_{TL}$  until the read low time  $t_{RL}$  is expired. During the  $t_{RL}$  window, when responding with a 0, the DS28EA00 starts pulling the data line low; its internal timing generator determines when this pulldown ends and the voltage starts rising again. When responding with a 1, the DS28EA00 does not hold the data line low at all, and the voltage starts rising as soon as  $t_{RL}$  is over.

The sum of  $t_{RL} + \delta$  (rise time) on one side and the internal timing generator of the DS28EA00 on the other side define the master sampling window ( $t_{MSRMIN}$  to  $t_{MSRMAX}$ ) in which the master must perform a read from the data line. For the most reliable communication,  $t_{RL}$  should be as short as permissible, and the master should read close to but no later than  $t_{MSRMAX}$ . After reading from the data line, the master must wait until  $t_{SLOT}$  is expired. This guarantees sufficient recovery time  $t_{REC}$  for the DS28EA00 to get ready for the next time slot. Note that  $t_{REC}$  specified herein applies only to a single DS28EA00 attached to a 1-Wire line. For multidevice configurations,  $t_{REC}$  needs to be extended to accommodate the additional 1-Wire device input capacitance. Alternatively, an interface that performs active pullup during the 1-Wire recovery time such as the DS2482-x00 or DS2480B 1-Wire line drivers can be used.

### Improved Network Behavior (Switchpoint Hysteresis)

In a 1-Wire environment, line termination is possible only during transients controlled by the bus master (1-Wire driver). 1-Wire networks, therefore, are susceptible to noise of various origins. Depending on the physical size and topology of the network, reflections from end points and branch points can add up, or cancel each other to some extent. Such reflections are visible as glitches or ringing on the 1-Wire communication line. Noise coupled onto the 1-Wire line from external sources can also result in signal glitching. A glitch during the rising edge of a time slot can cause a slave

device to lose synchronization with the master and, consequently, result in a Search ROM command coming to a dead end or cause a device-specific function command to abort. For better performance in network applications, the DS28EA00 uses a new 1-Wire front-end, which makes it less sensitive to noise and also reduces the magnitude of noise injected by the slave device itself.

The 1-Wire front-end of the DS28EA00 differs from traditional slave devices in four characteristics:

- 1) The falling edge of the presence pulse has a controlled slew rate. This provides a better match to the line impedance than a digitally switched transistor, converting the high-frequency ringing known from traditional devices into a smoother low-bandwidth transition. The slew-rate control is specified by the parameter  $t_{FPD}$ , which has different values for standard and overdrive speed.
- 2) There is additional lowpass filtering in the circuit that detects the falling edge at the beginning of a time slot. This reduces the sensitivity to high-frequency noise. This additional filtering does not apply at overdrive speed.
- 3) There is a hysteresis at the low-to-high switching threshold  $V_{TH}$ . If a negative glitch crosses  $V_{TH}$  but does not go below  $V_{TH} - V_{HY}$ , it is not recognized (Figure 14, Case A). The hysteresis is effective at any 1-Wire speed.
- 4) There is a time window specified by the rising edge hold-off time  $t_{REH}$  during which glitches are ignored, even if they extend below  $V_{TH} - V_{HY}$  threshold (Figure 14, Case B,  $t_{GL} < t_{REH}$ ). Deep voltage droops or glitches that appear late after crossing the  $V_{TH}$  threshold and extend beyond the  $t_{REH}$  window cannot be filtered out and are taken as the beginning of a new time slot (Figure 14, Case C,  $t_{GL} \geq t_{REH}$ ).

Devices that have the parameters  $V_{HY}$  and  $t_{REH}$  specified in their electrical characteristics use the improved 1-Wire front-end.

### Sequence Discovery Procedure

**Precondition:** The PIOB pin ( $\overline{EN}$ ) of the first device in the chain is at logic 0. The PIOA pin ( $\overline{DONE}$ ) of the first device connects to the PIOB of the second device in the chain, etc., as shown in Figure 15. The 1-Wire master detects the physical sequence of the devices in the chain by performing the following procedure.

**Starting Condition:** The master issues a Skip ROM command followed by a Chain ON command, which puts all devices in the chain ON state. The pullup



## 1-Wire Digital Thermometer with Sequence Detect and PIO

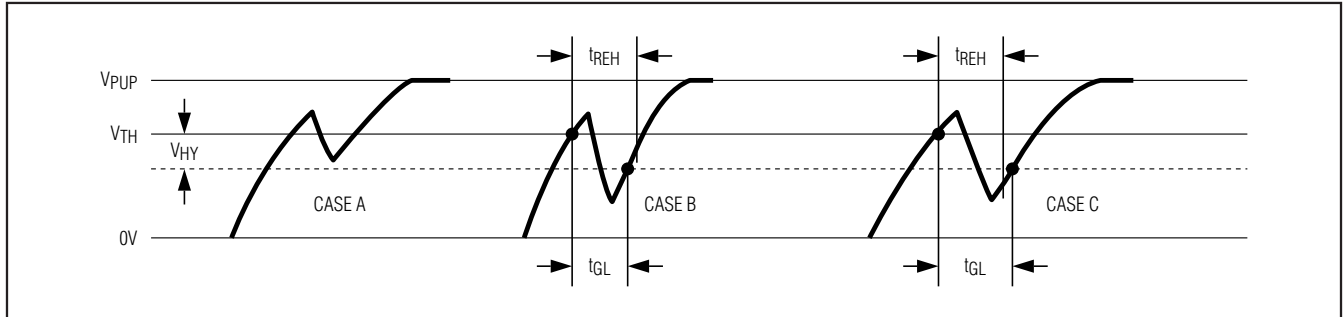


Figure 14. Noise Suppression Scheme

through  $R_{CO}$  of the PIOA pin charges the PIOA/PIOB connections to logic 1 level at all devices except for the first device in the chain. If a local  $V_{DD}$  supply is not available, the master needs to activate a low-impedance bypass to the 1-Wire pullup resistor immediately after the inverted chain control byte until the PIOA/PIOB connections have reached a voltage equivalent to the logic 1 level.

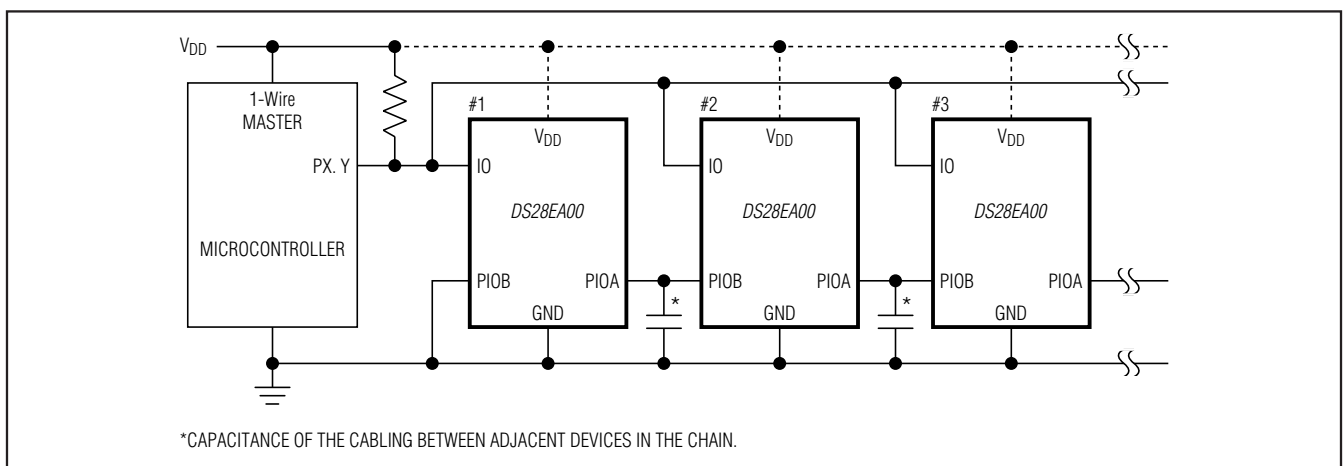
**First Cycle:** The master sends a Conditional Read ROM command, which causes the first device in the chain to respond with its 64-bit registration number. The master memorizes the registration number and the fact that this is the first device in the chain. Next, the master transmits a Chain DONE command. Through the PIOA pin of the just discovered device, this asserts logic 0 at the PI0B pin of the second device in the chain and also prevents the just discovered device from responding again.

**Second Cycle:** The master sends a Conditional Read ROM command. Since the second DS28EA00 is the

only device in the chain with a low level at PI0B, it responds with its registration number. The master stores the registration number with the sequence number of 2. The first device cannot respond since it is in chain DONE state. Next, the master transmits a Chain DONE command.

**Additional Cycles:** To identify the registration numbers of the remaining devices and their physical sequence, the master repeats the steps of Conditional Read ROM and Chain DONE. If there is no response to Conditional Read ROM, all devices in the chain are identified.

**Ending Condition:** At the end of the discovery process all devices in the chain are in the chain DONE state. The master should end the sequence discovery by issuing a Skip ROM command followed by a Chain OFF command. This puts all the devices into the chain OFF state and transfers control of the PI0B and PIOA pins to the PIO Access Read and Write function commands.



\*CAPACITANCE OF THE CABLING BETWEEN ADJACENT DEVICES IN THE CHAIN.

Figure 15. DS28EA00 Wired for Sequence Discovery ("Chain Function")

# DS28EA00

## 1-Wire Digital Thermometer with Sequence Detect and PIO

### Command-Specific 1-Wire Communication Protocol—Legend

| SYMBOL      | DESCRIPTION  |
|-------------|--|
| RST         | 1-Wire reset pulse generated by master   |
| PD          | 1-Wire presence pulse generated by slave   |
| SELECT      | Command and data to satisfy the ROM function protocol  |
| SKIPR       | ROM function command: "Skip ROM"   |
| CDRR        | ROM function command: "Conditional Read ROM"   |
| WSP         | Command: "Write Scratchpad"  |
| RSP         | Command: "Read Scratchpad"   |
| CPSP        | Command: "Copy Scratchpad"   |
| CTEMP       | Command: "Convert Temperature"   |
| RPM         | Command: "Read Power Mode"   |
| RCLE        | Command: "Recall EEPROM"   |
| PIOR        | Command: "PIO Access Read"   |
| PIOW        | Command: "PIO Access Write"  |
| CHAIN       | Command: "Chain"   |
| <n Bytes>   | Transfer of n bytes  |
| CRC         | Transfer of a CRC byte   |
| <xxh>       | Transfer of a specific byte value "xx" (hexadecimal notation)  |
| 00 Loop     | Indefinite loop where the master reads 00 bytes  |
| FF Loop     | Indefinite loop where the master reads FF bytes  |
| AA Loop     | Indefinite loop where the master reads AA bytes  |
| xx Loop     | Indefinite loop where the slave transmits the inverted invalid control byte  |
| CONVERSION  | A temperature conversion takes place; activity on the 1-Wire bus is permitted only with local V <sub>DD</sub> supply |
| PROGRAMMING | Data transfer to backup EEPROM; activity on the 1-Wire bus is permitted only with local V <sub>DD</sub> supply       |

### Command-Specific 1-Wire Communication Protocol—Color Codes

|                 |                 |             |            |
|-----------------|-----------------|-------------|------------|
| Master-to-Slave | Slave-to-Master | Programming | Conversion |
|-----------------|-----------------|-------------|------------|

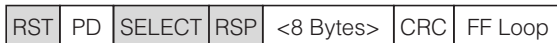
## 1-Wire Digital Thermometer with Sequence Detect and PIO

### 1-Wire Communication Examples

#### Write Scratchpad



#### Read Scratchpad



#### Copy Scratchpad (Parasite Powered)



During the wait, the master should activate a low-impedance bypass to the 1-Wire pullup resistor.

#### Copy Scratchpad (Local V<sub>DD</sub> Powered)



The master reads 00h bytes until the write cycle is completed.

#### Convert Temperature (Parasite Powered)



During the wait, the master should activate a low-impedance bypass to the 1-Wire pullup resistor.

#### Convert Temperature (Local V<sub>DD</sub> Powered)



The master reads 00h bytes until the conversion is completed.

#### Read Power Mode (Parasite Powered)



#### Read Power Mode (Local V<sub>DD</sub> Powered)



#### Recall EEPROM



The master reads 00h bytes until the recall is completed.

#### PIO Access Read



See the command description for behavior if the device is in chain ON or chain DONE state.

Continues until master sends reset pulse.

#### PIO Access Write (Success)



Loop until master sends reset pulse.

# DS28EA00

## 1-Wire Digital Thermometer with Sequence Detect and PIO

### 1-Wire Communication Examples (continued)

#### PIO Access Write (Invalid Data Byte)

|     |    |        |      |                   |                     |         |
|-----|----|--------|------|-------------------|---------------------|---------|
| RST | PD | SELECT | PIOW | <PIO Output Data> | <Invalid Data Byte> | FF Loop |
|-----|----|--------|------|-------------------|---------------------|---------|

The PIO Access Write command is ignored by the device while in chain ON or chain DONE state.

#### Change Chain State (Success)

|     |    |        |       |                      |                      |         |
|-----|----|--------|-------|----------------------|----------------------|---------|
| RST | PD | SELECT | CHAIN | <Chain Control Byte> | <Chain Control Byte> | AA Loop |
|-----|----|--------|-------|----------------------|----------------------|---------|

#### Change Chain State (Transmission Error)

|     |    |        |       |            |                                 |         |
|-----|----|--------|-------|------------|---------------------------------|---------|
| RST | PD | SELECT | CHAIN | <Any Byte> | <Byte ≠ Inverted Previous Byte> | 00 Loop |
|-----|----|--------|-------|------------|---------------------------------|---------|

#### Change Chain State (Invalid Control Byte)

|     |    |        |       |                        |                          |         |
|-----|----|--------|-------|------------------------|--------------------------|---------|
| RST | PD | SELECT | CHAIN | <Invalid Control Byte> | <Inverted Previous Byte> | xx Loop |
|-----|----|--------|-------|------------------------|--------------------------|---------|

#### Sequence Discovery Example

|     |    |       |       |       |       |                          |       |
|-----|----|-------|-------|-------|-------|--------------------------|-------|
| RST | PD | SKIPR | CHAIN | <5Ah> | <A5h> | Wait for chain to charge | <AAh> |
|-----|----|-------|-------|-------|-------|--------------------------|-------|

Put all devices into chain ON state.

|     |    |      |                       |       |       |       |       |
|-----|----|------|-----------------------|-------|-------|-------|-------|
| RST | PD | CDRR | <Registration Number> | CHAIN | <96h> | <69h> | <AAh> |
|-----|----|------|-----------------------|-------|-------|-------|-------|

Identify the first device and put it into chain DONE state.

|     |    |      |                       |       |       |       |       |
|-----|----|------|-----------------------|-------|-------|-------|-------|
| RST | PD | CDRR | <Registration Number> | CHAIN | <96h> | <69h> | <AAh> |
|-----|----|------|-----------------------|-------|-------|-------|-------|

Identify the next device and put it into chain DONE state. Repeat this sequence until no device responds.

|     |    |      |               |
|-----|----|------|---------------|
| RST | PD | CDRR | <8 Bytes FFh> |
|-----|----|------|---------------|

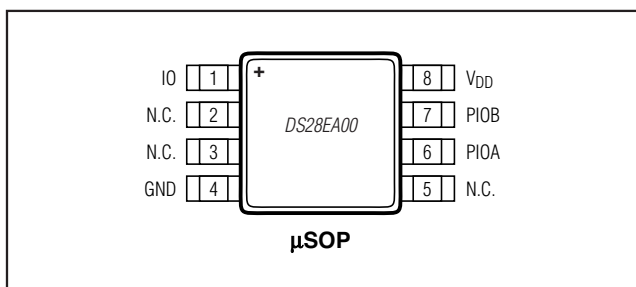
No response: all devices have been discovered

|     |    |       |       |       |       |       |
|-----|----|-------|-------|-------|-------|-------|
| RST | PD | SKIPR | Chain | <3Ch> | <C3h> | <AAh> |
|-----|----|-------|-------|-------|-------|-------|

Put all devices into chain OFF state.

For the sequence discovery to function properly, the logic state at PIOB ( $\overline{EN}$ ) must not change during the transmission of the Conditional Read ROM command code, and, if the device responds, must stay at logic 0 until the entire 64-bit registration number is transmitted.

### Pin Configuration



### Package Information

For the latest package outline information and land patterns, go to [www.maximintegrated.com/packages](http://www.maximintegrated.com/packages).

| PACKAGE TYPE | PACKAGE CODE | DOCUMENT NO.            |
|--------------|--------------|-------------------------|
| 8 μSOP       | U8+1         | <a href="#">21-0036</a> |

# DS28EA00

## 1-Wire Digital Thermometer with Sequence Detect and PIO

### Revision History

| REVISION NUMBER | REVISION DATE | DESCRIPTION  | PAGES CHANGED |
|-----------------|---------------|--|---------------|
| 0               | 1/07          | Initial release.   | —             |
| 1               | 6/07          | Changed the storage temperature range in the <i>Absolute Maximum Ratings</i> section from -40°C to +85°C to -55°C to +125°C. | 2             |
| 2               | 4/09          | Created newer template-style data sheet.   | All           |



Maxim cannot assume responsibility for use of any circuitry other than circuitry entirely embodied in a Maxim product. No circuit patent licenses are implied. Maxim reserves the right to change the circuitry and specifications without notice at any time. The parametric values (min and max limits) shown in the Electrical Characteristics table are guaranteed. Other parametric values quoted in this data sheet are provided for guidance.

Компания «Life Electronics» занимается поставками электронных компонентов импортного и отечественного производства от производителей и со складов крупных дистрибьюторов Европы, Америки и Азии.

С конца 2013 года компания активно расширяет линейку поставок компонентов по направлению коаксиальный кабель, кварцевые генераторы и конденсаторы (керамические, пленочные, электролитические), за счёт заключения дистрибьюторских договоров

Мы предлагаем:

- Конкуренспособные цены и скидки постоянным клиентам.
- Специальные условия для постоянных клиентов.
- Подбор аналогов.
- Поставку компонентов в любых объемах, удовлетворяющих вашим потребностям.
- Приемлемые сроки поставки, возможна ускоренная поставка.
- Доставку товара в любую точку России и стран СНГ.
- Комплексную поставку.
- Работу по проектам и поставку образцов.
- Формирование склада под заказчика.
- Сертификаты соответствия на поставляемую продукцию (по желанию клиента).
- Тестирование поставляемой продукции.
- Поставку компонентов, требующих военную и космическую приемку.
- Входной контроль качества.
- Наличие сертификата ISO.

В составе нашей компании организован Конструкторский отдел, призванный помогать разработчикам, и инженерам.

Конструкторский отдел помогает осуществить:

- Регистрацию проекта у производителя компонентов.
- Техническую поддержку проекта.
- Защиту от снятия компонента с производства.
- Оценку стоимости проекта по компонентам.
- Изготовление тестовой платы монтаж и пусконаладочные работы.



Тел: +7 (812) 336 43 04 (многоканальный)

Email: [org@lifeelectronics.ru](mailto:org@lifeelectronics.ru)