



SY89853U

Precision Low-Power Dual 2:1 LVPECL MUX with Internal Termination

General Description

The SY89853U features two, low jitter 2:1 differential multiplexers with 100K LVPECL (800mV) compatible outputs, capable of handling clocks up to 2.5GHz and data streams up to 2.5Gbps.

The SY89853U differential inputs include Micrel's unique, 3-input termination architecture that allows users to interface to any differential signal (AC- or DC-Coupled) as small as 100mV without any level shifting or termination resistors networks in the signal path. The result is a clean, stub-free, low jitter interface solution. The differential 800mV LVPECL outputs have fast rise/fall times guaranteed to be less than 180ps.

The SY89853U operates from a 2.5V $\pm 5\%$ or a 3.3V $\pm 10\%$ supply, and is guaranteed over the full industrial temperature range (-40°C to $+85^{\circ}\text{C}$). For applications that require higher performance, consider the SY58026U. The SY89853U is part of Micrel's Precision Edge[®] product family.

All support documentation can be found on Micrel's web site at www.micrel.com.



Precision Edge[®]

Features

- Dual 2:1 MUX, each channel selects from inputs
- Unique, patent-pending input isolation design minimizes crosstalk
- Low power 210mW ($V_{CC} = 2.5\text{V}$)
- Guaranteed AC performance over temperature and voltage:
 - DC-to->2.5Gbps data rate throughput
 - $<360\text{ps}$ IN-to-Q t_{pd}
 - $<180\text{ps}$ t_r/t_f times
- Ultra-low jitter design:
 - $<1\text{ps}_{RMS}$ random jitter
 - $<10\text{ps}_{PP}$ deterministic jitter
 - $<10\text{ps}_{PP}$ total jitter (clock)
 - $<0.7\text{ps}_{RMS}$ crosstalk-induced jitter
- Unique, patent-pending 50 Ω input termination and VT pin accepts DC- and AC-coupled inputs (CML, LVDS, PECL)
- 800mV LVPECL output swing
- Power supply 2.5V $\pm 5\%$ or 3.3V $\pm 10\%$
- -40°C to $+85^{\circ}\text{C}$ temperature range
- Available in 32-pin (5mm x 5mm) MLF[®] package

Applications

- Data communication systems
- All SONET OC-3 to OC-48 applications
- All Fibre Channel applications
- All GigE applications

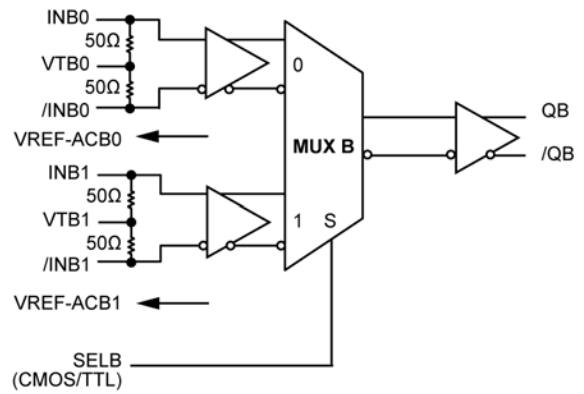
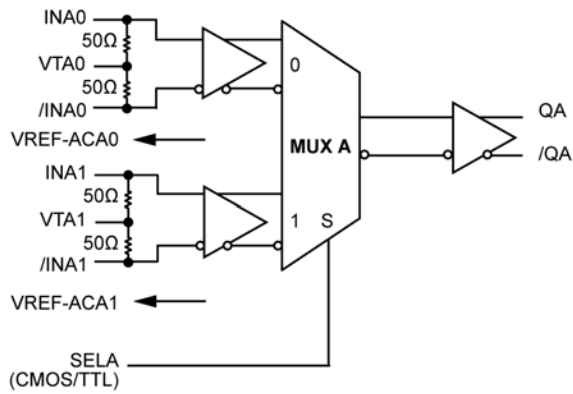
Markets

- LAN/WAN communication
- Enterprise servers
- ATE
- Test and measurement

Precision Edge is a registered trademark of Micrel, Inc
MLF and MicroLeadFrame are registered trademarks of Amkor Technology.

Micrel Inc. • 2180 Fortune Drive • San Jose, CA 95131 • USA • tel +1 (408) 944-0800 • fax + 1 (408) 474-1000 • <http://www.micrel.com>

Functional Block Diagram



Truth Table

SEL	Q
0	IN0 Input Select
1	IN1 Input Select

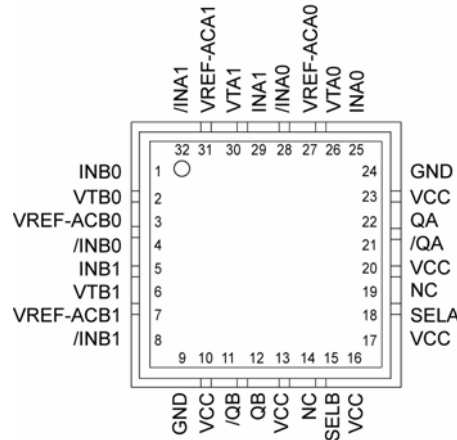
Ordering Information⁽¹⁾

Part Number	Package Type	Operating Range	Package Marking	Lead Finish
SY89853UMG	MLF-32	Industrial	SY89853U with Pb-Free bar-line indicator	NiPdAu Pb-Free
SY89853UMGTR ⁽²⁾	MLF-32	Industrial	SY89853U with Pb-Free bar-line indicator	NiPdAu Pb-Free

Notes:

1. Contact factory for die availability. Dice are guaranteed at T_A = 25°C, DC Electricals only.
2. Tape and Reel.

Pin Configuration



32-Pin MLF[®] (MLF-32)

Pin Description

Pin Number	Pin Name	Pin Function
25, 28, 29, 32 1, 4 5, 8	INA0, /INA0, INA1, /INA1, INB0, /INB0, INB1, /INB1	Differential Inputs: These input pairs are the differential signal inputs to the device. Inputs accept AC- or DC-coupled signals as small as 100mV. Each pin of a pair internally terminates to a VT pin through 50Ω. Note that these inputs will default to an indeterminate state if left open. Connecting one input to VCC and the complementary input-to-GND through 1kΩ resistor can terminate unused differential input pairs. The VT pin is to be left open in this configuration. Please refer to the “Input Interface Applications” section for more details.
10, 13, 16, 17, 20, 23	VCC	Positive power supply. Bypass with 0.1μF//0.01μF low ESR capacitors. The 0.01μF capacitor should be as close to VCC pin as possible.
14, 19	NC	Not connected.
18 15	SELA, SELB	Bank A and Bank B Input Channel Select (TTL/CMOS): These TTL/CMOS-compatible inputs select the inputs to the multiplexers. These inputs are internally connected to a 25kΩ pull-up resistor and will default to logic HIGH state if left open.
22, 21 12, 11	QA, /QA, QB, /QB	Differential Outputs: These LVPECL output pairs are the outputs of the device. They are a logic function of the INA0, INA1, INB0, INB1 and SELA and SELB inputs. Please refer to the “Truth Table” below for details.
26, 30 2, 6	VTA0, VTA1 VTB0, VTB1	Input Termination Center-Tap: Each side of the differential input pair terminates to a VT pin. The VTA0, VTA1, VTB0, VTB1 pins provide a center-tap to a termination network for maximum interface flexibility. See “Input Interface Applications” section for details.
27 31 3 7	VREF-ACA0, VREF-ACA1, VREF-ACB0, VREF-ACB1	Reference Voltages: These reference voltage outputs are equivalent to V _{CC} -1.2V. They are used for AC-coupled inputs. Connect VREF-AC directly to the VT pin and bypass with 0.01μF low ESR capacitor to V _{CC} . See “Input Interface Applications” section. Maximum sink/source current is ±1.5mA.
9, 24	GND, Exposed Pad	Ground: Ground pins and exposed pad must be connected to the same ground plane.

Absolute Maximum Ratings⁽¹⁾

Supply Voltage (V_{CC})	-0.5V to +4.0V
Input Voltage (V_{IN})	-0.5V to V_{CC}
LVPECL Output Current (I_{OUT})		
Continuous	± 50 mA
Surge	± 100 mA
Termination Current		
Source or Sink Current on V_T	± 50 mA
Input Current		
Source or Sink Current on IN, /IN	± 50 mA
Current (V_{REF-AC})		
Source or Sink Current on V_{REF-AC}	± 2 mA
Lead Temperature (soldering, 20sec.)	260°C
Storage Temperature (T_s)	-65°C to +150°C

Operating Ratings⁽²⁾

Supply Voltage (V_{CC})	+2.375V to +2.625V
	+3.0V to +3.6V
Ambient Temperature (T_A)	-40°C to +85°C
Package Thermal Resistance ⁽³⁾		
MLF [®] (θ_{JA})		
Still-Air	35°C/W
500lfpm	28°C/W
MLF [®] (ψ_{JB})		
Junction-to-Board	16°C/W

DC Electrical Characteristics⁽⁴⁾

$T_A = -40^\circ\text{C}$ to $+85^\circ\text{C}$, unless otherwise noted.

Symbol	Parameter	Condition	Min	Typ	Max	Units
V_{CC}	Power Supply	$V_{CC} = 2.5\text{V}$ $V_{CC} = 3.3\text{V}$	2.375 3.0	2.5 3.3	2.625 3.6	V V
I_{CC}	Power Supply Current	No load, max. V_{CC} .		65	85	mA
R_{IN}	Input Resistance (IN-to- V_T)		45	50	55	Ω
R_{DIFF_IN}	Differential Input Resistance (IN-to-/IN)		90	100	110	Ω
V_{IH}	Input High Voltage (IN, /IN)		$V_{CC} - 1.2$		V_{CC}	V
V_{IL}	Input Low Voltage (IN, /IN)		0		$V_{IH} - 0.1$	V
V_{IN}	Input Voltage Swing (IN-to-/IN)	See Figure 1a.	100		1700	mV
V_{DIFF_IN}	Differential Input Voltage Swing IN - /IN	See Figure 1b.	200			mV
V_{T_IN}	Maximum Input Voltage (IN-to- V_T)				1.28	V
V_{REF-AC}	Output Reference Voltage		$V_{CC} - 1.3$	$V_{CC} - 1.2$	$V_{CC} - 1.1$	V

Notes:

1. Permanent device damage may occur if absolute maximum ratings are exceeded. This is a stress rating only and functional operation is not implied at conditions other than those detailed in the operational sections of this data sheet. Exposure to absolute maximum ratings conditions for extended periods may affect device reliability.
2. The data sheet limits are not guaranteed if the device is operated beyond the operating ratings.
3. Package thermal resistance assumes exposed pad is soldered (or equivalent) to the devices most negative potential on the PCB. θ_{JA} and ψ_{JB} values are determined for a 4-layer board in still-air, unless otherwise stated.
4. The circuit is designed to meet the DC specifications shown in the above table after thermal equilibrium has been established.

LVPECL Outputs DC Electrical Characteristics⁽⁵⁾

$V_{CC} = 2.5V \pm 5\%$ or $3.3V \pm 10\%$; $R_L = 50\Omega$ to $V_{CC}-2V$; $T_A = -40^\circ C$ to $+85^\circ C$, unless otherwise noted.

Symbol	Parameter	Condition	Min	Typ	Max	Units
V_{OH}	Output High Voltage (Q, /Q)		$V_{CC}-1.145$		$V_{CC}-0.895$	V
V_{OL}	Output Low Voltage (Q, /Q)		$V_{CC}-1.945$		$V_{CC}-1.695$	V
V_{OUT}	Output Voltage Swing (Q, /Q)	See Figure 1a.	400	800		mV
$V_{DIFF-OUT}$	Differential Output Voltage Swing (Q, /Q)	See Figure 1b.	800	1600		mV

LVTTTL/CMOS DC Electrical Characteristics⁽⁵⁾

$V_{CC} = 2.5V \pm 5\%$ or $3.3V \pm 10\%$; $T_A = -40^\circ C$ to $+85^\circ C$, unless otherwise noted.

Symbol	Parameter	Condition	Min	Typ	Max	Units
V_{IH}	Input High Voltage		2.0			V
V_{IL}	Input Low Voltage				0.8	V
I_{IH}	Input High Current	$V_{IN} = V_{CC}$			75	μA
I_{IL}	Input Low Current	$V_{IN} = 0.5V$	-300			μA

Notes:

5. The circuit is designed to meet the DC specifications shown in the above table after thermal equilibrium has been established.

AC Electrical Characteristics⁽⁶⁾

$V_{CC} = 2.5V \pm 5\%$ or $3.3V \pm 10\%$; $T_A = -40^\circ C$ to $+85^\circ C$, $R_L = 50\Omega$ to $V_{CC}-2V$, unless otherwise stated.

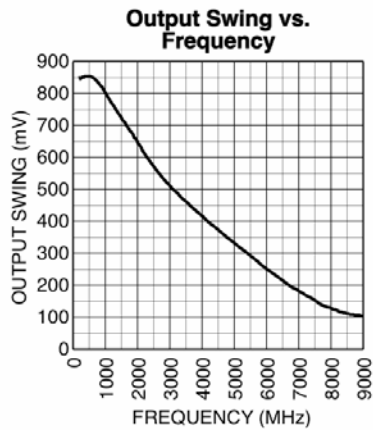
Symbol	Parameter	Condition	Min	Typ	Max	Units	
f_{MAX}	Maximum Operating Frequency	NRZ Data	2.5			Gbps	
		Clock, $V_{OUT} > 400mV$	2.5			GHz	
t_{pd}	Propagation Delay						
		IN-to-Q	160	250	360	ps	
		SEL-to-Q	100	260	400	ps	
t_{pd} Tempco	Differential Propagation Delay Temperature Coefficient			143		fs/°C	
t_{SKEW}	Input-to-Input Skew (Within-bank) Bank-to-Bank Skew	Note 7		10	20	ps	
		Note 8		12	25	ps	
t_{JITTER}	Data						
		Random Jitter (RJ)	Note 9			1	ps _{RMS}
	Deterministic Jitter (DJ)	Note 10				10	ps _{PP}
	Clock						
		Cycle-to-Cycle Jitter	Note 11				1
	Total Jitter (TJ)	Note 12					10
Crosstalk-Induced Jitter	Channel-to-Channel (Within-bank)						
		Note 13, within-bank					0.7
t_r, t_f	Output Rise/Fall Time (20% to 80%)	At full output swing.	50	100	180	ps	

Notes:

6. High-speed AC parameters are guaranteed by design and characterization. V_{IN} swing $\geq 100mV$, unless otherwise stated.
7. Input-to-input skew is the difference in time between two inputs to the output within a bank.
8. Bank-to-bank skew is the difference in time from input to the output between banks.
9. Random jitter is measured with a K28.7 character pattern, measured at $<f_{MAX}$.
10. Deterministic jitter is measured at 2.5Gbps with both K28.5 and $2^{23}-1$ PRBS pattern.
11. Cycle-to-cycle jitter definition: the variation of periods between adjacent cycles, $T_n - T_{n-1}$ where T is the time between rising edges of the output signal.
12. Total jitter definition: with an ideal clock input of frequency $<f_{MAX}$, no more than one output edge in 10^{12} output edges will deviate by more than the specified peak-to-peak jitter value.
13. Crosstalk is measured at the output while applying two similar differential clock frequencies that are asynchronous with respect to each other at the inputs.

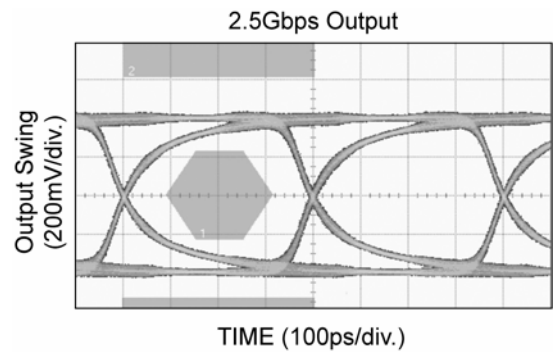
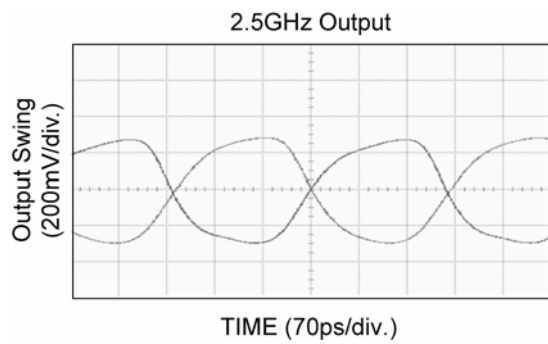
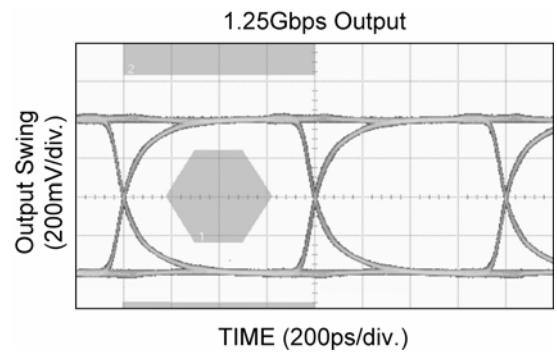
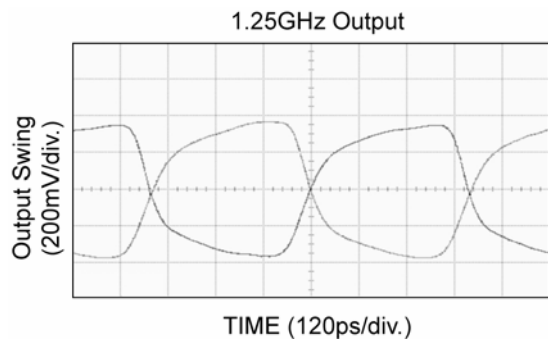
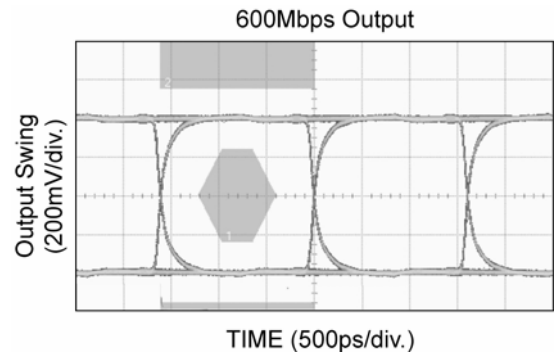
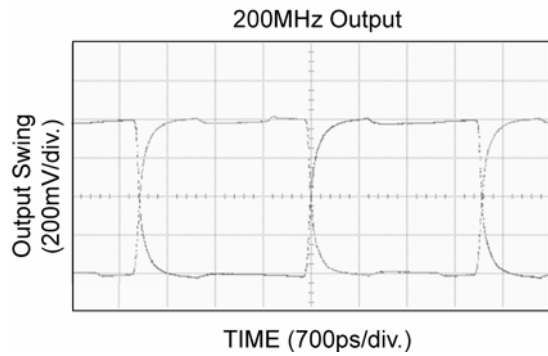
Typical Operating Characteristics

$V_{CC} = 3.3V \pm 10\%$; $T_A = -40^{\circ}C$ to $+85^{\circ}C$, $R_L = 50\Omega$ to $V_{CC}-2V$, unless otherwise stated.



Functional Characteristics

$V_{CC} = 3.3V \pm 10\%$; $T_A = -40^{\circ}C$ to $+85^{\circ}C$, $R_L = 50\Omega$ to $V_{CC}-2V$, unless otherwise stated.



Single-Ended and Differential Swings

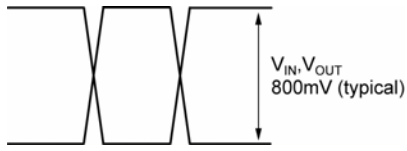


Figure 1a. Single-Ended Voltage Swing

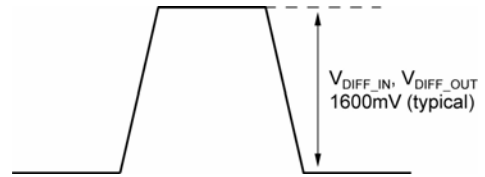
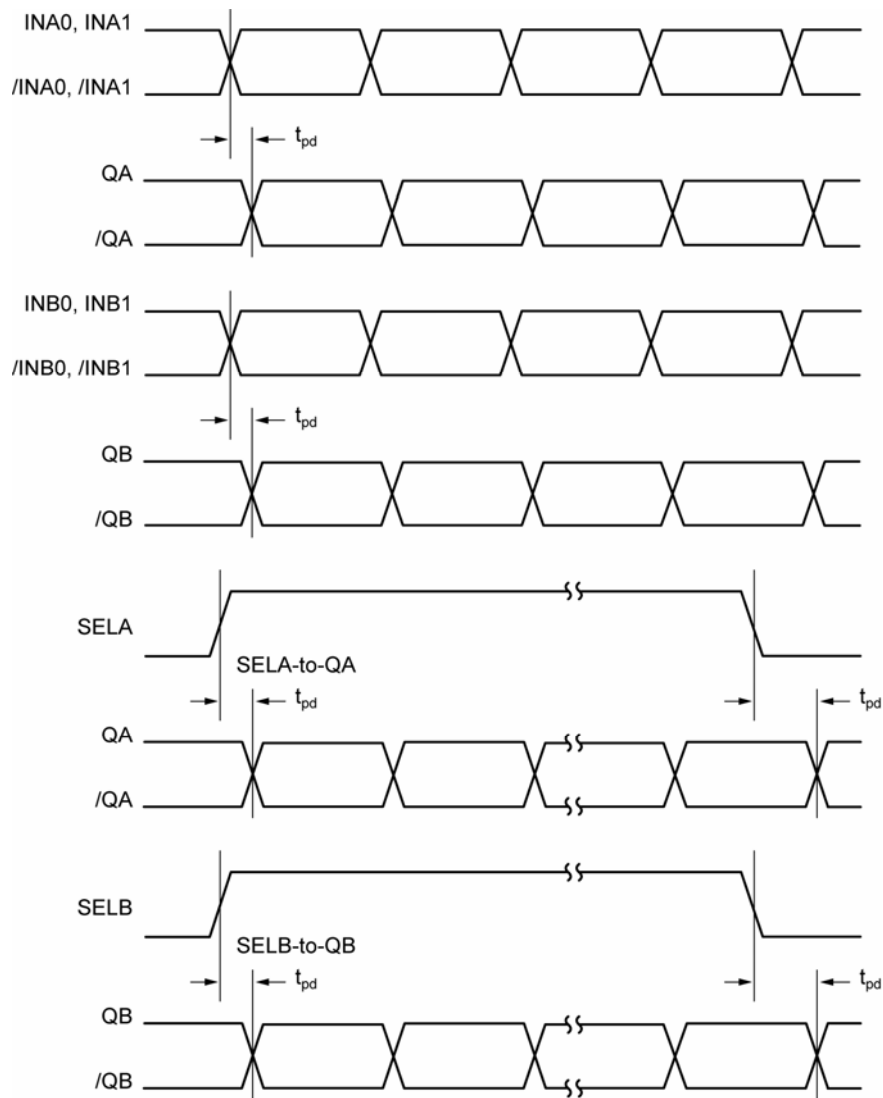


Figure 1b. Differential Voltage Swing

Timing Diagram



Input and Output Stages

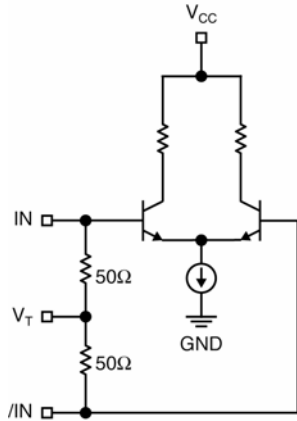


Figure 2a. Simplified Differential Input Stage

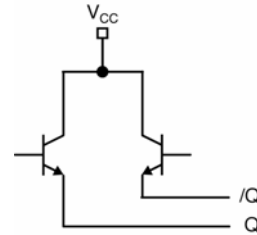


Figure 2b. Simplified LVPECL Output Stage

Input Interface Applications

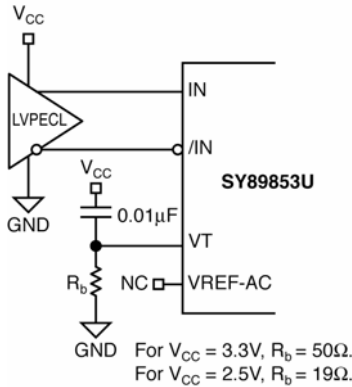


Figure 3a. LVPECL Interface (DC-Coupled)

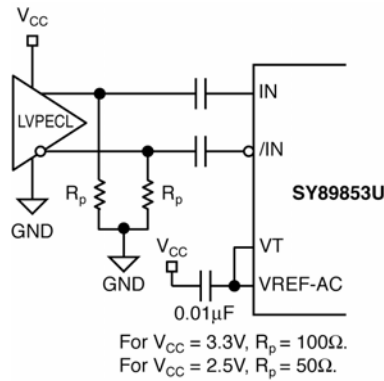


Figure 3b. LVPECL Interface (AC-Coupled)

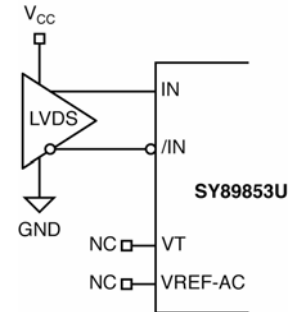
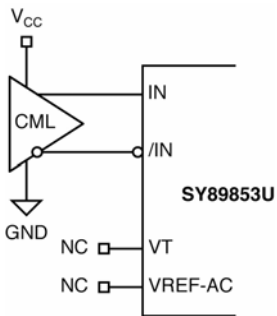


Figure 3c. LVDS Interface



option: may connect V_T to V_{CC} .

Figure 3d. CML Interface (DC-Coupled)

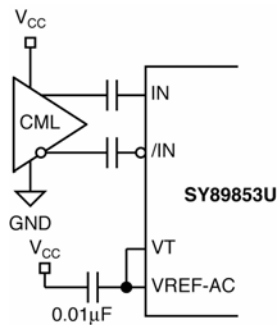
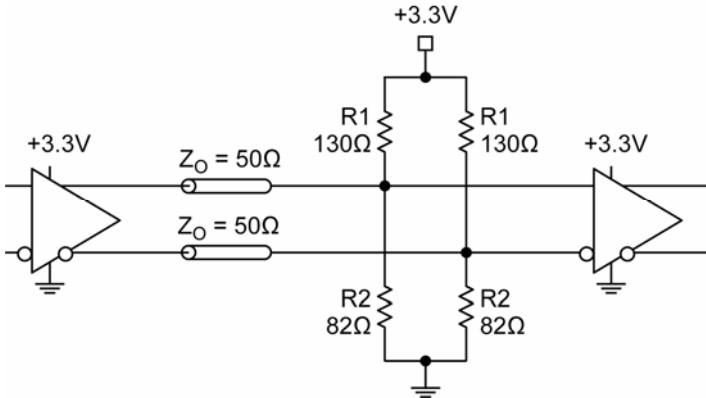


Figure 3e. CML Interface (AC-Coupled)

Output Interface Applications

LVPECL has high input impedance, very low output (open emitter) impedance, and small signal swing, which result in low EMI. LVPECL is ideal for driving 50Ω and 100Ω controlled impedance transmission lines. There are different techniques for terminating

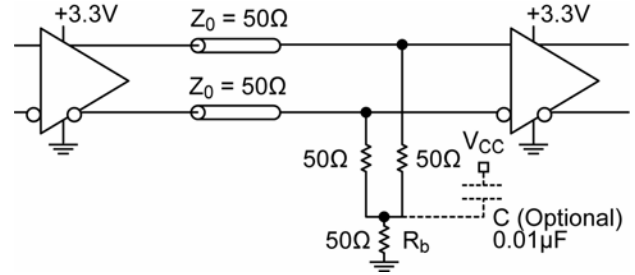
LVPECL outputs: Parallel Termination Thevenin-Equivalent, Parallel Termination (3-resistor), and AC-coupled termination. Unused output pairs may be left floating; however, single-ended outputs must be terminated or balanced.



Note:

1. For a 2.5V system, R1 = 250Ω, R2 = 62.5 Ω.
2. For a 3.3V system, R1 = 130Ω, R2 = 82Ω.

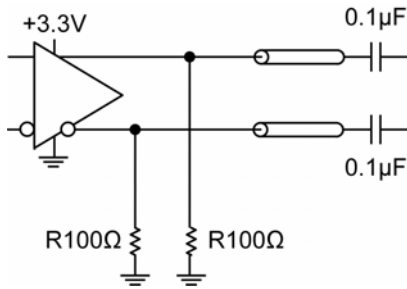
Figure 4a. Parallel Thevenin-Equivalent Termination



Note:

1. For a 2.5V system, R_b = 19Ω.
2. For a 3.3V system, R_b = 50Ω.

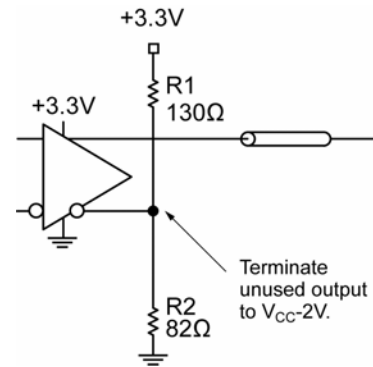
Figure 4b. Parallel Termination (3-Resistor)



Note:

For a 2.5V system, R = 50Ω.

Figure 4c. AC-Coupled Termination



Note:

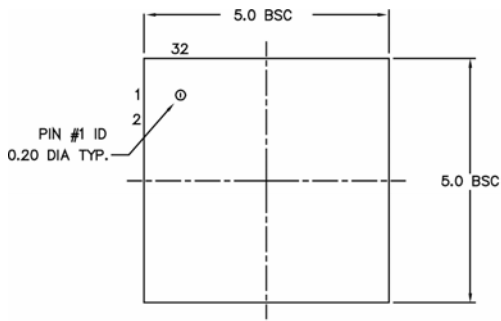
For a 2.5V system, R1 = 250Ω, R2 = 62.5 Ω.

Figure 4d. Parallel Thevenin-Equivalent Termination

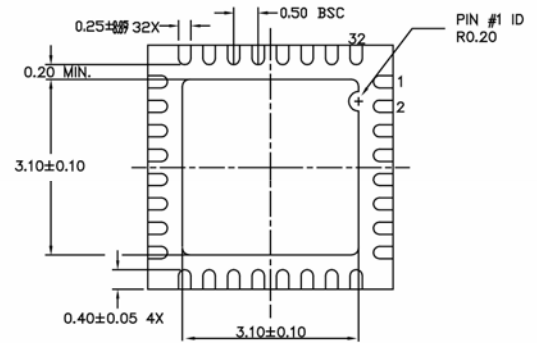
Related Product and Support Documentation

Part Number	Function	Data Sheet Link
SY58026U	5Gbps Dual 2 :1 400mV LVPECL MUX with Internal Termination	www.micrel.com/product-info/products/sy58026u.shtml
	MLF® Application Note	www.amkor.com/products/notes_papers/MLFAppNote.pdf
HBW Solutions	New Products and Applications	www.micrel.com/product-info/products/solutions.shtml

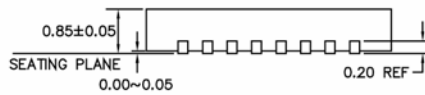
Package Information



TOP VIEW



BOTTOM VIEW

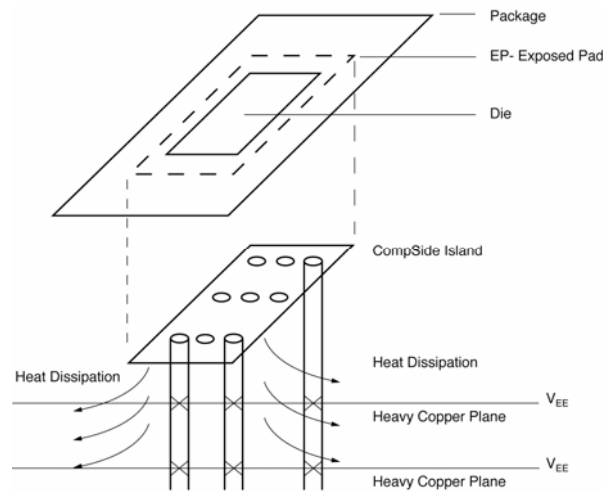


SIDE VIEW

NOTE:

1. ALL DIMENSIONS ARE IN MILLIMETERS.
2. MAX. PACKAGE WARPAGE IS 0.05 mm.
3. MAXIMUM ALLOWABLE BURRS IS 0.076 mm IN ALL DIRECTIONS.
4. PIN #1 ID ON TOP WILL BE LASER/INK MARKED.

32-Pin MLF® (MLF-32)



PCB Thermal Consideration for 32-Pin MLF® Package (Always solder, or equivalent, the exposed pad to the PCB)

Packages Notes:

1. Package meets Level 2 Moisture Sensitivity Classification.
2. All parts are dry-packed before shipment.
3. Exposed pads must be soldered to a ground for proper thermal management.

MICREL, INC. 2180 FORTUNE DRIVE SAN JOSE, CA 95131 USA
TEL +1 (408) 944-0800 FAX +1 (408) 474-1000 WEB <http://www.micrel.com>

The information furnished by Micrel in this data sheet is believed to be accurate and reliable. However, no responsibility is assumed by Micrel for its use. Micrel reserves the right to change circuitry and specifications at any time without notification to the customer.

Micrel Products are not designed or authorized for use as components in life support appliances, devices or systems where malfunction of a product can reasonably be expected to result in personal injury. Life support devices or systems are devices or systems that (a) are intended for surgical implant into the body or (b) support or sustain life, and whose failure to perform can be reasonably expected to result in a significant injury to the user. A Purchaser's use or sale of Micrel Products for use in life support appliances, devices or systems is a Purchaser's own risk and Purchaser agrees to fully indemnify Micrel for any damages resulting from such use or sale.

© 2005 Micrel, Incorporated.

Компания «Life Electronics» занимается поставками электронных компонентов импортного и отечественного производства от производителей и со складов крупных дистрибьюторов Европы, Америки и Азии.

С конца 2013 года компания активно расширяет линейку поставок компонентов по направлению коаксиальный кабель, кварцевые генераторы и конденсаторы (керамические, пленочные, электролитические), за счёт заключения дистрибьюторских договоров

Мы предлагаем:

- Конкурентоспособные цены и скидки постоянным клиентам.
- Специальные условия для постоянных клиентов.
- Подбор аналогов.
- Поставку компонентов в любых объемах, удовлетворяющих вашим потребностям.
- Приемлемые сроки поставки, возможна ускоренная поставка.
- Доставку товара в любую точку России и стран СНГ.
- Комплексную поставку.
- Работу по проектам и поставку образцов.
- Формирование склада под заказчика.
- Сертификаты соответствия на поставляемую продукцию (по желанию клиента).
- Тестирование поставляемой продукции.
- Поставку компонентов, требующих военную и космическую приемку.
- Входной контроль качества.
- Наличие сертификата ISO.

В составе нашей компании организован Конструкторский отдел, призванный помогать разработчикам, и инженерам.

Конструкторский отдел помогает осуществить:

- Регистрацию проекта у производителя компонентов.
- Техническую поддержку проекта.
- Защиту от снятия компонента с производства.
- Оценку стоимости проекта по компонентам.
- Изготовление тестовой платы монтаж и пусконаладочные работы.



Тел: +7 (812) 336 43 04 (многоканальный)

Email: org@lifeelectronics.ru