

## 32-Channel Vacuum Fluorescent Display Driver

### Features

- Thirty-two Output Lines
- 90V Output Swing
- Active Pull-down
- Latches on all Outputs
- Up to 6 MHz at  $V_{DD} = 5V$
- $-40^{\circ}C$  to  $+85^{\circ}C$  Operation

### Applications

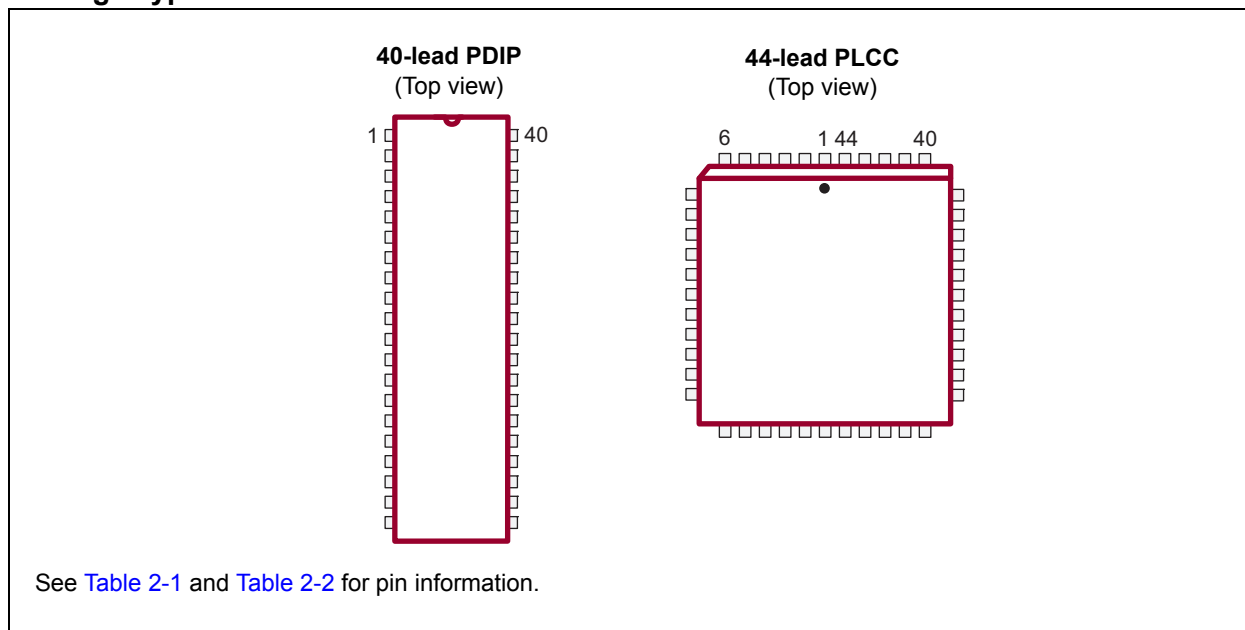
- Vacuum Fluorescent Displays
- DC Plasma Displays

### General Description

The HV518 is designed for vacuum fluorescent or DC plasma applications where it can serve as a segment, digit or matrix display driver. Each device has 32 outputs, 32 latches and a 32-bit cascadable Shift register.

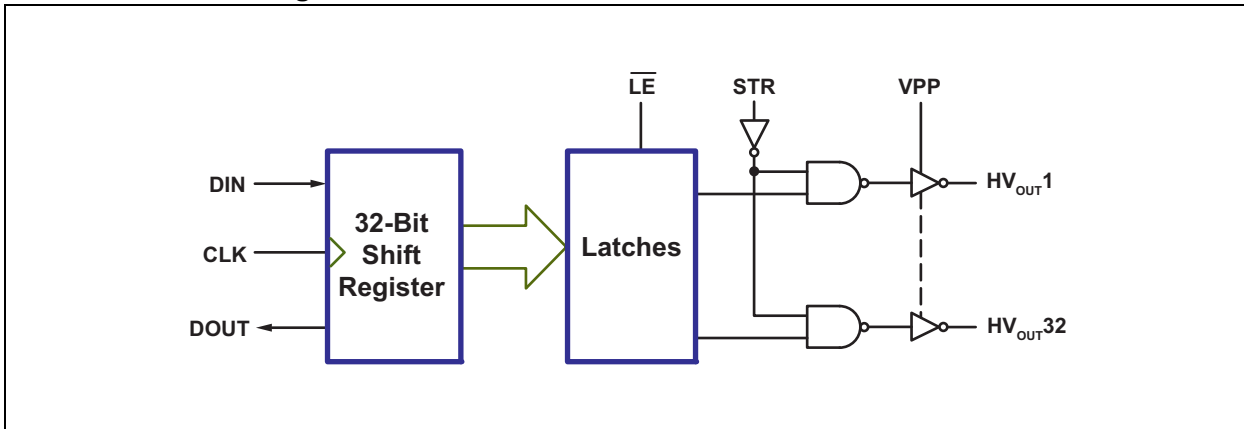
Serial data enters the Shift register on the low-to-high transition of the clock input. With latch enable ( $\overline{LE}$ ) high, parallel data is transferred to the output buffers through a 32-bit latch. When  $\overline{LE}$  is low, the data is stored in the latch. When strobe (STR) is low, all outputs are enabled. If the strobe is high, all outputs are low.

### Package Types

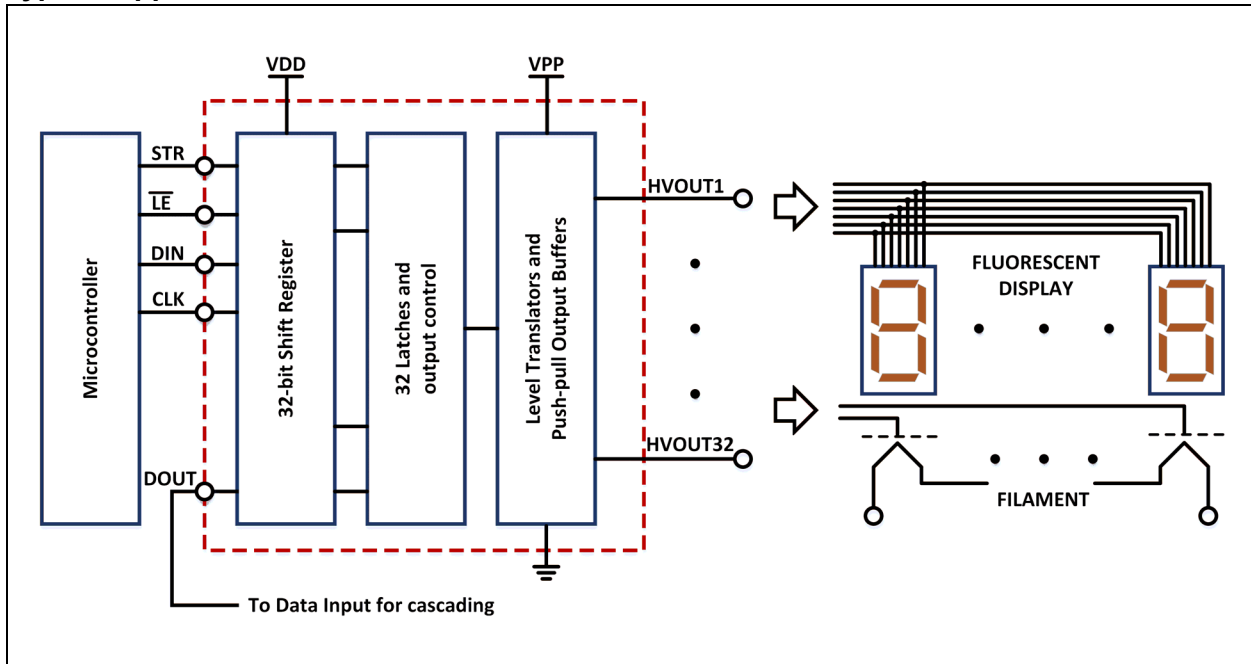


# HV518

## Functional Block Diagram



## Typical Application Circuit



# HV518

## 1.0 ELECTRICAL CHARACTERISTICS

### Absolute Maximum Ratings†

Low-voltage Supply Voltage, $V_{DD}$ .....	-0.5V to +6V
High-voltage Supply Voltage, $V_{PP}$ .....	-0.5V to +90V
Logic Input Levels .....	-0.5V to $V_{DD}+0.5V$
Operating Ambient Temperature, $T_A$ .....	-40°C to +85°C
Storage Temperature, $T_S$ .....	-65°C to +150°C
Continuous Total Power Dissipation:	
40-lead PDIP ( <b>Note 1</b> , <b>Note 2</b> ) .....	1200 mW
44-lead PLCC ( <b>Note 1</b> , <b>Note 2</b> ) .....	1200 mW

† **Notice:** Stresses above those listed under “Absolute Maximum Ratings” may cause permanent damage to the device. This is a stress rating only, and functional operation of the device at those or any other conditions above those indicated in the operational sections of this specification is not intended. Exposure to maximum rating conditions for extended periods may affect device reliability.

- Note 1:** Duty cycle is limited by the total power dissipated in the package.  
**Note 2:** For operations above 25°C ambient, derate linearly to 85°C at 20 mW/°C.

### RECOMMENDED OPERATING CONDITIONS

Electrical Specifications: $T_A = 25^\circ\text{C}$ unless otherwise indicated.						
Parameter	Sym.	Min.	Typ.	Max.	Unit	Conditions
Logic Supply Voltage	$V_{DD}$	4.5	—	5.5	V	
High-voltage Supply Voltage	$V_{PP}$	8	—	80	V	
High-level Input Voltage	$V_{IH}$	3.5	—	—	V	$V_{DD} = 4.5V$ (See <a href="#">Figure 3-1.</a> )
Low-level Input Voltage	$V_{IL}$	—	—	1	V	$V_{DD} = 4.5V$ (See <a href="#">Figure 3-1.</a> )
High-level Output Current	$I_{OH}$	-25	—	—	mA	
Low-level Output Current	$I_{OL}$	—	—	2	mA	
Clock Frequency	$f_{CLK}$	—	—	6	MHz	$V_{DD} = 4.5V$ (See <a href="#">Figure 3-1.</a> )
Pulse Duration, Clock High	$t_{W(CKH)}$	83	—	—	ns	$V_{DD} = 4.5V$
Pulse Duration, Clock Low	$t_{W(CKL)}$	83	—	—	ns	$V_{DD} = 4.5V$
Setup Time, Data before Clock	$t_{SU}$	75	—	—	ns	$V_{DD} = 4.5V$
Hold Time, Data after Clock	$t_H$	75	—	—	ns	$V_{DD} = 4.5V$
Operating Ambient Temperature	$T_A$	-40	—	+85	°C	

## ELECTRICAL CHARACTERISTICS

Electrical Specifications: Over recommended operating conditions unless otherwise indicated							
Parameter	Sym.	Min.	Typ.	Max.	Unit	Conditions	
Supply Current	$I_{DD}$	—	—	10	mA	$V_{DD} = 5V, f_{CH} = 6 \text{ MHz}$	
Quiescent Supply Current	$I_{DDQ}$	—	—	0.5	mA	$V_{DD} = 5.5V, V_{IN} = 0V$	
Supply Current	$I_{PP}$	—	—	12	mA	Outputs high, $T_A = -40^\circ\text{C}$	
		—	7	10	mA	Outputs high, $T_A = 0^\circ\text{C}$ to $+85^\circ\text{C}$	
		—	—	500	$\mu\text{A}$	Outputs low	
HV <sub>IN</sub> Operating Current	HV Output	$V_{OH}$	70	—	—	V	$I_{OH} = -25\text{mA}$
	Serial Output		4.5	4.9	5	V	$V_{DD} = 5V, I_{OH} = -20 \mu\text{A}$
LV <sub>IN</sub> Operating Current	HV Output	$V_{OL}$	—	—	5	V	$I_{OL} = 1 \text{ mA}$
	Serial Output		—	0.06	0.8	V	$I_{OL} = 20 \mu\text{A}$
Logic Input Current High	$I_{IH}$	—	0.1	1	$\mu\text{A}$	$V_{IH} = V_{DD}$	
Logic Input Current Low	$I_{IL}$	—	-0.1	-1	$\mu\text{A}$	$V_{IL} = 0V$	

**Note 1:** The power dissipation is determined by the number of output at ON state and their duty cycles. The total power must not exceed the allowable package power dissipation.

## SWITCHING CHARACTERISTICS

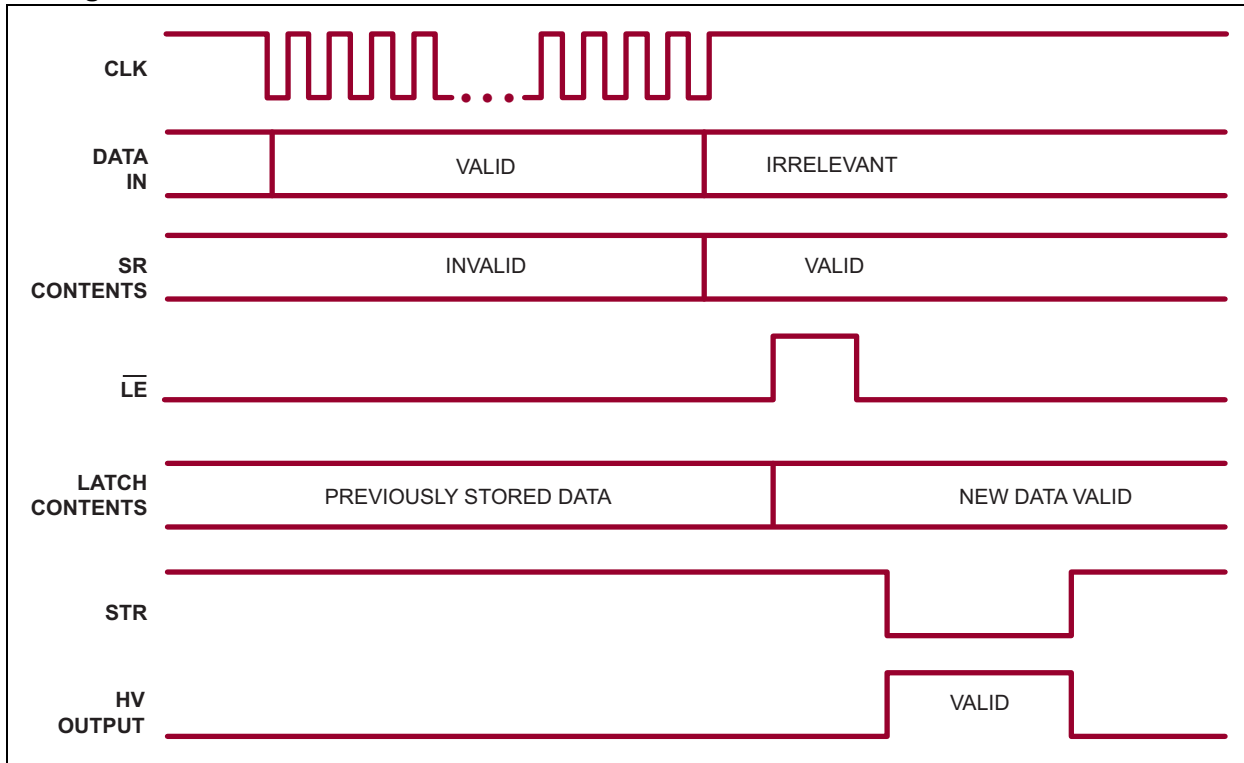
Electrical Specifications: $V_{PP} = 80V, C_L = 50 \text{ pF}$ and $T_A = 25^\circ\text{C}$ unless otherwise noted.							
Parameter	Sym.	Min.	Typ.	Max.	Unit	Conditions	
Delay Time, Clock-to-data Output	$t_d$	—	—	600	ns	$C_L = 15 \text{ pF}$ (See <a href="#">Figure 3-2.</a> )	
Delay Time, High-to-low Level, HV Output	From Latch Enable	$t_{DHL}$	—	—	1.5	$\mu\text{s}$	$V_{DD} = 4.5V$ (See <a href="#">Figure 3-3.</a> )
	From Strobe		—	—	1	$\mu\text{s}$	$V_{DD} = 4.5V$ (See <a href="#">Figure 3-4.</a> )
Delay Time, Low-to-high Level, HV Output	From Latch Enable	$t_{DLH}$	—	—	1.5	$\mu\text{s}$	$V_{DD} = 4.5V$ (See <a href="#">Figure 3-3.</a> )
	From Strobe		—	—	1	$\mu\text{s}$	$V_{DD} = 4.5V$ (See <a href="#">Figure 3-4.</a> )
Transition Time, High-to-low Level, HV Output	$t_{THL}$	—	—	3	$\mu\text{s}$	$V_{DD} = 4.5V$ (See <a href="#">Figure 3-4.</a> )	
Transition Time, Low-to-high Level, HV Output	$t_{TLH}$	—	—	2.5	$\mu\text{s}$	$V_{DD} = 4.5V$ (See <a href="#">Figure 3-4.</a> )	

## TEMPERATURE SPECIFICATIONS

Parameter	Sym.	Min.	Typ.	Max.	Unit	Conditions
<b>TEMPERATURE RANGE</b>						
Operating Ambient Temperature	$T_A$	-40	—	+85	$^\circ\text{C}$	
Storage Temperature	$T_S$	-65	—	+150	$^\circ\text{C}$	
<b>PACKAGE THERMAL RESISTANCE</b>						
40-lead PDIP	$\theta_{JA}$	—	39	—	$^\circ\text{C/W}$	
44-lead PLCC	$\theta_{JA}$	—	37	—	$^\circ\text{C/W}$	

# HV518

## Timing Waveforms



## 2.0 PIN DESCRIPTION

The details on the pins of HV518 40-lead PDIP and 44-lead PLCC are listed on [Table 2-1](#) and [Table 2-2](#), respectively. Refer to [Package Types](#) for the location of pins.

**TABLE 2-1: 40-LEAD PDIP PIN FUNCTION TABLE**

Pin Number	Pin Name	Description
1	VPP	High-voltage power supply
2	SERIAL OUT	Serial data output
3	HVOUT32	High-voltage output
4	HVOUT31	High-voltage output
5	HVOUT30	High-voltage output
6	HVOUT29	High-voltage output
7	HVOUT28	High-voltage output
8	HVOUT27	High-voltage output
9	HVOUT26	High-voltage output
10	HVOUT25	High-voltage output
11	HVOUT24	High-voltage output
12	HVOUT23	High-voltage output
13	HVOUT22	High-voltage output
14	HVOUT21	High-voltage output
15	HVOUT20	High-voltage output
16	HVOUT19	High-voltage output
17	HVOUT18	High-voltage output
18	HVOUT17	High-voltage output
19	STR	Strobe
20	GND	Ground
21	CLK	Data Shift register clock. Inputs are shifted into the Shift register on the positive edge of the clock.
22	$\overline{LE}$	Latch enable
23	HVOUT16	High-voltage output
24	HVOUT15	High-voltage output
25	HVOUT14	High-voltage output
26	HVOUT13	High-voltage output
27	HVOUT12	High-voltage output
28	HVOUT11	High-voltage output
29	HVOUT10	High-voltage output
30	HVOUT9	High-voltage output
31	HVOUT8	High-voltage output
32	HVOUT7	High-voltage output
33	HVOUT6	High-voltage output

# HV518

**TABLE 2-1: 40-LEAD PDIP PIN FUNCTION TABLE (CONTINUED)**

Pin Number	Pin Name	Description
34	HVOUT5	High-voltage output
35	HVOUT4	High-voltage output
36	HVOUT3	High-voltage output
37	HVOUT2	High-voltage output
38	HVOUT1	High-voltage output
39	DATA IN	Serial data input
40	VDD	Low-voltage power supply

**TABLE 2-2: 44-LEAD PLCC PIN FUNCTION TABLE**

Pin Number	Pin Name	Description
1	VPP	High-voltage power supply
2	SERIAL OUT	Serial data output
3	HVOUT32	High-voltage output
4	HVOUT31	High-voltage output
5	HVOUT30	High-voltage output
6	NC	No connection
7	HVOUT29	High-voltage output
8	HVOUT28	High-voltage output
9	HVOUT27	High-voltage output
10	HVOUT26	High-voltage output
11	HVOUT25	High-voltage output
12	HVOUT24	High-voltage output
13	HVOUT23	High-voltage output
14	HVOUT22	High-voltage output
15	HVOUT21	High-voltage output
16	HVOUT20	High-voltage output
17	HVOUT19	High-voltage output
18	NC	No connection
19	HVOUT18	High-voltage output
20	HVOUT17	High-voltage output
21	STR	Strobe
22	GND	Ground
23	CLK	Data Shift register clock. Inputs are shifted into the Shift register on the positive edge of the clock.
24	$\overline{\text{LE}}$	Latch enable
25	HVOUT16	High-voltage output
26	HVOUT15	High-voltage output
27	HVOUT14	High-voltage output
28	NC	No connection



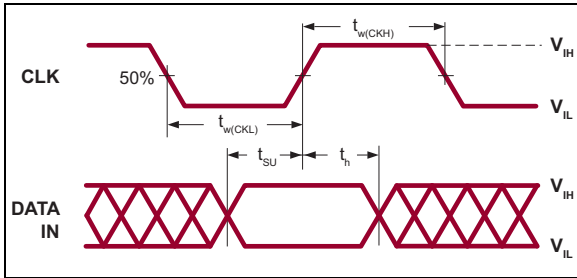
**TABLE 2-2: 44-LEAD PLCC PIN FUNCTION TABLE (CONTINUED)**

Pin Number	Pin Name	Description
29	NC	No connection
30	HVOUT13	High-voltage output
31	HVOUT12	High-voltage output
32	HVOUT11	High-voltage output
33	HVOUT10	High-voltage output
34	HVOUT9	High-voltage output
35	HVOUT8	High-voltage output
36	HVOUT7	High-voltage output
37	HVOUT6	High-voltage output
38	HVOUT5	High-voltage output
39	HVOUT4	High-voltage output
40	HVOUT3	High-voltage output
41	HVOUT2	High-voltage output
42	HVOUT1	High-voltage output
43	DATA IN	Serial data input
44	VDD	Low-voltage power supply

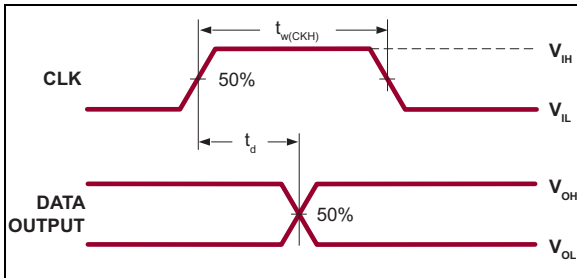
## 3.0 FUNCTIONAL DESCRIPTION

### 3.1 Parameter Measurement Information

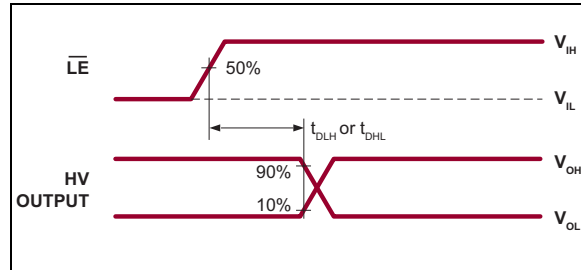
Figure 3-1 to Figure 3-4 show parametric measurement information. For testing purposes, all input pulses have maximum rise and fall times of 30 nanoseconds.



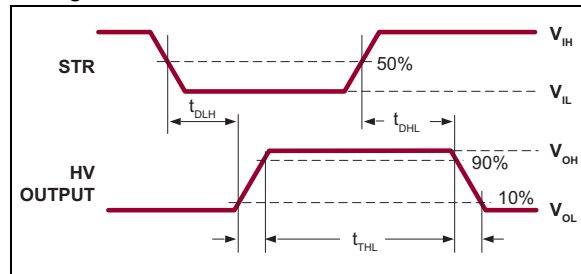
**FIGURE 3-1:** Input Timing Voltage Waveforms.



**FIGURE 3-2:** Output Timing Voltage Waveforms.



**FIGURE 3-3:** Latch Enable Timing Voltage Waveforms.



**FIGURE 3-4:** Switching-Time Voltage Waveforms.

## 3.2 Power-up and Power-down Sequence

Follow the steps below to power up and power down the HV518:

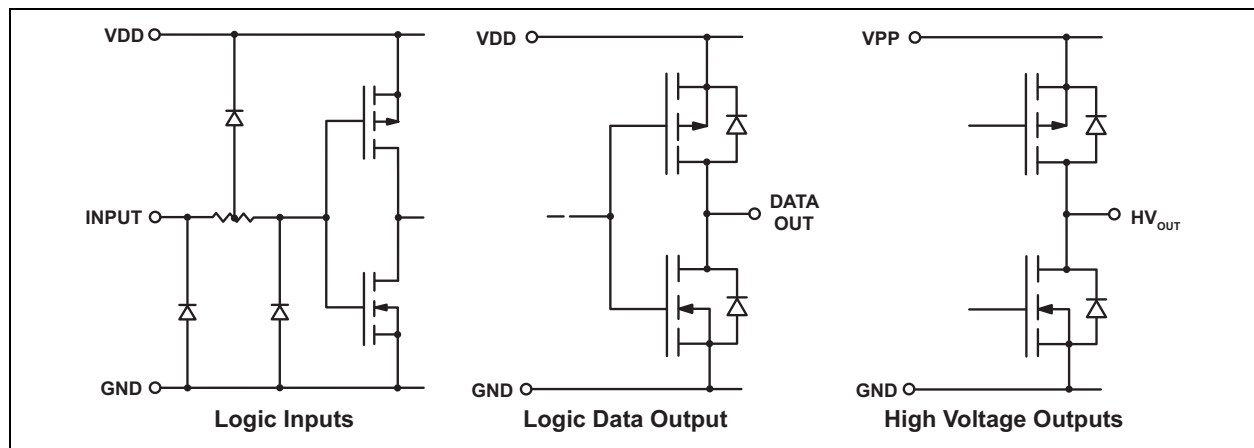
**TABLE 3-1: POWER-UP AND POWER-DOWN SEQUENCE**

Power-up		Power-down	
Step	Description	Step	Description
1	Connect ground.	1	Remove $V_{PP}$ . ( <b>Note 1</b> )
2	Apply $V_{DD}$ .	2	Remove all inputs.
3	Set all inputs (Data, CLK, EN, etc.) to a known state.	3	Remove $V_{DD}$ .
4	Apply $V_{PP}$ . ( <b>Note 1</b> )	4	Disconnect ground.

**Note 1:** The  $V_{PP}$  should not drop below  $V_{DD}$  during operation.

**TABLE 3-2: TRUTH FUNCTION TABLE**

Inputs			Outputs			
Data In	CLK	Data Out	Data In	$\overline{LE}$	STR	High-voltage Output
H		H	X	X	H	All low
L		L	H	H	L	High
X	No change	Previous state	L	H	L	Low
			X	L	L	Previous state

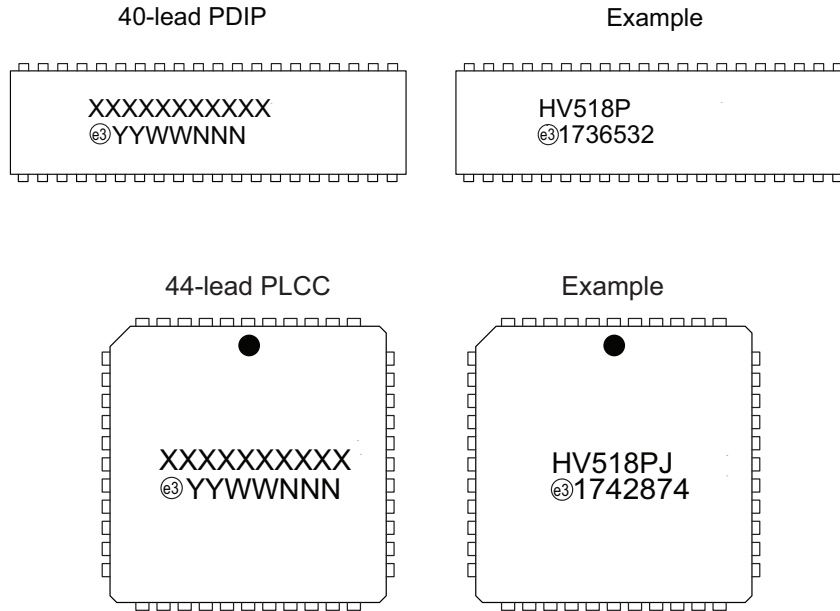


**FIGURE 3-5:** Input and Output Equivalent Circuits.

# HV518

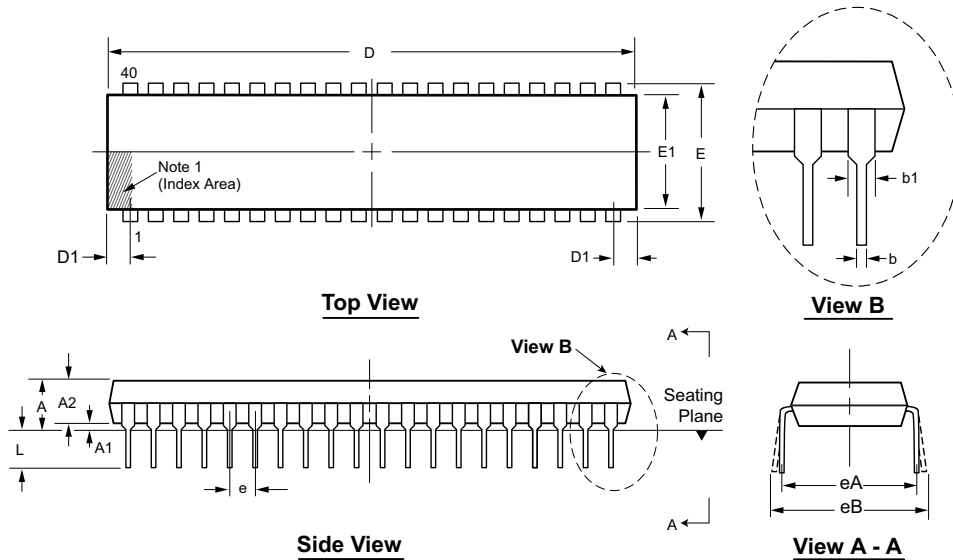
## 4.0 PACKAGE MARKING INFORMATION

### 4.1 Packaging Information



<b>Legend:</b>	XX...X	Product Code or Customer-specific information
	Y	Year code (last digit of calendar year)
	YY	Year code (last 2 digits of calendar year)
	WW	Week code (week of January 1 is week '01')
	NNN	Alphanumeric traceability code
	Ⓔ	Pb-free JEDEC <sup>®</sup> designator for Matte Tin (Sn)
	*	This package is Pb-free. The Pb-free JEDEC designator (Ⓔ) can be found on the outer packaging for this package.
<b>Note:</b>	In the event the full Microchip part number cannot be marked on one line, it will be carried over to the next line, thus limiting the number of available characters for product code or customer-specific information. Package may or not include the corporate logo.	

## 40-Lead PDIP (.600in Row Spacing) Package Outline (P) 2.095x.580in body (max), .250in height (max), .100in pitch



Note: For the most current package drawings, see the Microchip Packaging Specification at [www.microchip.com/packaging](http://www.microchip.com/packaging).

**Note:**

1. A Pin 1 identifier must be located in the index area indicated. The Pin 1 identifier can be: a molded mark/identifier; an embedded metal marker; or a printed indicator.

Symbol	A	A1	A2	b	b1	D	D1	E	E1	e	eA	eB	L	
Dimension (inches)	MIN	.140*	.015	.125	.014	.030	1.980	.065 <sup>†</sup>	.590 <sup>†</sup>	.485	.100 BSC	.600 BSC	.600*	.115
	NOM	-	-	-	-	-	-	-	-	-			-	-
	MAX	.250	.055*	.195	.023 <sup>†</sup>	.070	2.095	.085*	.625	.580			.700	.200

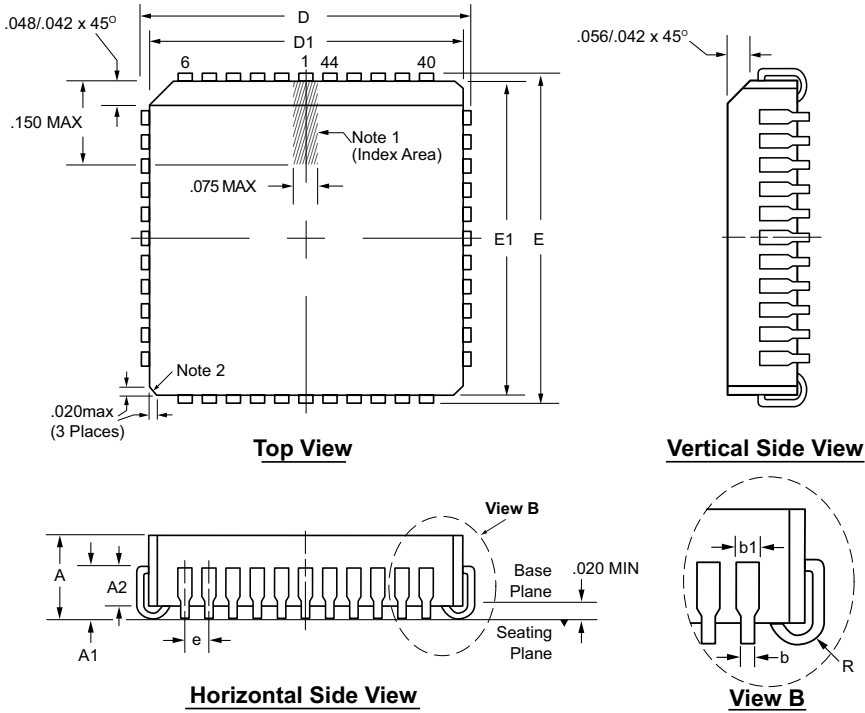
JEDEC Registration MS-011, Variation AC, Issue B, June, 1988.

\* This dimension is not specified in the JEDEC drawing.

<sup>†</sup> This dimension differs from the JEDEC drawing.

Drawings not to scale.

## 44-Lead PLCC Package Outline (PJ) .653x.653in body, .180in height (max), .050in pitch



Note: For the most current package drawings, see the Microchip Packaging Specification at [www.microchip.com/packaging](http://www.microchip.com/packaging).

**Notes:**

1. A Pin 1 identifier must be located in the index area indicated. The Pin 1 identifier can be: a molded mark/identifier; an embedded metal marker; or a printed indicator.
2. Actual shape of this feature may vary.

Symbol	A	A1	A2	b	b1	D	D1	E	E1	e	R
Dimension (inches)	MIN	.165	.090	.062	.013	.026	.685	.650	.685	.650	.025
	NOM	.172	.105	-	-	-	.690	.653	.690	.653	.035
	MAX	.180	.120	.083	.021	.036 <sup>†</sup>	.695	.656	.695	.656	.045

JEDEC Registration MS-018, Variation AC, Issue A, June, 1993.  
<sup>†</sup> This dimension differs from the JEDEC drawing.  
 Drawings not to scale.

## APPENDIX A: REVISION HISTORY

### Revision A (October 2017)

- Converted Supertex Doc# DSFP-HV518 to Microchip DS20005847A
- Changed the package marking format
- Made minor text changes throughout the document

# HV518

## PRODUCT IDENTIFICATION SYSTEM

To order or obtain information, e.g., on pricing or delivery, contact your local Microchip representative or sales office.

<u>PART NO.</u>	<u>XX</u>	-	<u>X</u>	-	<u>X</u>
Device	Package Options		Environmental		Media Type
Device:	HV518	=	32-Channel Vacuum Fluorescent Display Driver		
Packages:	P	=	40-lead PDIP		
	PJ	=	44-lead PLCC		
Environmental:	G	=	Lead (Pb)-free/RoHS-compliant Package		
Media Types:	(blank)	=	9/Tube for a P Package		
	(blank)	=	27/Tube for a PJ Package		
	M903	=	500/Reel for a PJ Package		

Examples:	
a) HV518P-G:	32-Channel Vacuum Fluorescent Display Driver, 40-lead PDIP, 9/Tube
b) HV518PJ-G:	32-Channel Vacuum Fluorescent Display Driver, 44-lead PLCC, 27/Tube
c) HV518PJ-G-M903:	32-Channel Vacuum Fluorescent Display Driver, 44-lead PLCC, 500/Reel



---

---

**Note the following details of the code protection feature on Microchip devices:**

- Microchip products meet the specification contained in their particular Microchip Data Sheet.
- Microchip believes that its family of products is one of the most secure families of its kind on the market today, when used in the intended manner and under normal conditions.
- There are dishonest and possibly illegal methods used to breach the code protection feature. All of these methods, to our knowledge, require using the Microchip products in a manner outside the operating specifications contained in Microchip's Data Sheets. Most likely, the person doing so is engaged in theft of intellectual property.
- Microchip is willing to work with the customer who is concerned about the integrity of their code.
- Neither Microchip nor any other semiconductor manufacturer can guarantee the security of their code. Code protection does not mean that we are guaranteeing the product as “unbreakable.”

Code protection is constantly evolving. We at Microchip are committed to continuously improving the code protection features of our products. Attempts to break Microchip's code protection feature may be a violation of the Digital Millennium Copyright Act. If such acts allow unauthorized access to your software or other copyrighted work, you may have a right to sue for relief under that Act.

---

Information contained in this publication regarding device applications and the like is provided only for your convenience and may be superseded by updates. It is your responsibility to ensure that your application meets with your specifications. MICROCHIP MAKES NO REPRESENTATIONS OR WARRANTIES OF ANY KIND WHETHER EXPRESS OR IMPLIED, WRITTEN OR ORAL, STATUTORY OR OTHERWISE, RELATED TO THE INFORMATION, INCLUDING BUT NOT LIMITED TO ITS CONDITION, QUALITY, PERFORMANCE, MERCHANTABILITY OR FITNESS FOR PURPOSE. Microchip disclaims all liability arising from this information and its use. Use of Microchip devices in life support and/or safety applications is entirely at the buyer's risk, and the buyer agrees to defend, indemnify and hold harmless Microchip from any and all damages, claims, suits, or expenses resulting from such use. No licenses are conveyed, implicitly or otherwise, under any Microchip intellectual property rights unless otherwise stated.

*Microchip received ISO/TS-16949:2009 certification for its worldwide headquarters, design and wafer fabrication facilities in Chandler and Tempe, Arizona; Gresham, Oregon and design centers in California and India. The Company's quality system processes and procedures are for its PIC® MCUs and dsPIC® DSCs, KEELOQ® code hopping devices, Serial EEPROMs, microperipherals, nonvolatile memory and analog products. In addition, Microchip's quality system for the design and manufacture of development systems is ISO 9001:2000 certified.*

**QUALITY MANAGEMENT SYSTEM  
CERTIFIED BY DNV  
= ISO/TS 16949 =**

### Trademarks

The Microchip name and logo, the Microchip logo, AnyRate, AVR, AVR logo, AVR Freaks, BeaconThings, BitCloud, CryptoMemory, CryptoRF, dsPIC, FlashFlex, flexPWR, Heldo, JukeBlox, KEELOQ, KEELOQ logo, Klear, LANCheck, LINK MD, maXStylus, maXTouch, MediaLB, megaAVR, MOST, MOST logo, MPLAB, OptoLyzer, PIC, picoPower, PICSTART, PIC32 logo, Prochip Designer, QTouch, RightTouch, SAM-BA, SpyNIC, SST, SST Logo, SuperFlash, tinyAVR, UNI/O, and XMEGA are registered trademarks of Microchip Technology Incorporated in the U.S.A. and other countries.

ClockWorks, The Embedded Control Solutions Company, EtherSynch, Hyper Speed Control, HyperLight Load, IntelliMOS, mTouch, Precision Edge, and Quiet-Wire are registered trademarks of Microchip Technology Incorporated in the U.S.A.

Adjacent Key Suppression, AKS, Analog-for-the-Digital Age, Any Capacitor, AnyIn, AnyOut, BodyCom, chipKIT, chipKIT logo, CodeGuard, CryptoAuthentication, CryptoCompanion, CryptoController, dsPICDEM, dsPICDEM.net, Dynamic Average Matching, DAM, ECAN, EtherGREEN, In-Circuit Serial Programming, ICSP, Inter-Chip Connectivity, JitterBlocker, KlearNet, KlearNet logo, Mindi, MiWi, motorBench, MPASM, MPF, MPLAB Certified logo, MPLIB, MPLINK, MultiTRAK, NetDetach, Omniscient Code Generation, PICDEM, PICDEM.net, PICKit, PICTail, PureSilicon, QMatrix, RightTouch logo, REAL ICE, Ripple Blocker, SAM-ICE, Serial Quad I/O, SMART-I.S., SQI, SuperSwitcher, SuperSwitcher II, Total Endurance, TSHARC, USBCheck, VariSense, ViewSpan, WiperLock, Wireless DNA, and ZENA are trademarks of Microchip Technology Incorporated in the U.S.A. and other countries.

SQTP is a service mark of Microchip Technology Incorporated in the U.S.A.

Silicon Storage Technology is a registered trademark of Microchip Technology Inc. in other countries.

GestIC is a registered trademark of Microchip Technology Germany II GmbH & Co. KG, a subsidiary of Microchip Technology Inc., in other countries.

All other trademarks mentioned herein are property of their respective companies.

© 2017, Microchip Technology Incorporated, All Rights Reserved.  
ISBN: 978-1-5224-2265-5



# MICROCHIP

## Worldwide Sales and Service

### AMERICAS

#### Corporate Office

2355 West Chandler Blvd.  
Chandler, AZ 85224-6199

Tel: 480-792-7200

Fax: 480-792-7277

Technical Support:

[http://www.microchip.com/  
support](http://www.microchip.com/support)

Web Address:

[www.microchip.com](http://www.microchip.com)

#### Atlanta

Duluth, GA

Tel: 678-957-9614

Fax: 678-957-1455

#### Austin, TX

Tel: 512-257-3370

#### Boston

Westborough, MA

Tel: 774-760-0087

Fax: 774-760-0088

#### Chicago

Itasca, IL

Tel: 630-285-0071

Fax: 630-285-0075

#### Dallas

Addison, TX

Tel: 972-818-7423

Fax: 972-818-2924

#### Detroit

Novi, MI

Tel: 248-848-4000

#### Houston, TX

Tel: 281-894-5983

#### Indianapolis

Noblesville, IN

Tel: 317-773-8323

Fax: 317-773-5453

Tel: 317-536-2380

#### Los Angeles

Mission Viejo, CA

Tel: 949-462-9523

Fax: 949-462-9608

Tel: 951-273-7800

#### Raleigh, NC

Tel: 919-844-7510

#### New York, NY

Tel: 631-435-6000

#### San Jose, CA

Tel: 408-735-9110

Tel: 408-436-4270

#### Canada - Toronto

Tel: 905-695-1980

Fax: 905-695-2078

### ASIA/PACIFIC

#### Asia Pacific Office

Suites 3707-14, 37th Floor  
Tower 6, The Gateway  
Harbour City, Kowloon

#### Hong Kong

Tel: 852-2943-5100

Fax: 852-2401-3431

#### Australia - Sydney

Tel: 61-2-9868-6733

Fax: 61-2-9868-6755

#### China - Beijing

Tel: 86-10-8569-7000

Fax: 86-10-8528-2104

#### China - Chengdu

Tel: 86-28-8665-5511

Fax: 86-28-8665-7889

#### China - Chongqing

Tel: 86-23-8980-9588

Fax: 86-23-8980-9500

#### China - Dongguan

Tel: 86-769-8702-9880

#### China - Guangzhou

Tel: 86-20-8755-8029

#### China - Hangzhou

Tel: 86-571-8792-8115

Fax: 86-571-8792-8116

#### China - Hong Kong SAR

Tel: 852-2943-5100

Fax: 852-2401-3431

#### China - Nanjing

Tel: 86-25-8473-2460

Fax: 86-25-8473-2470

#### China - Qingdao

Tel: 86-532-8502-7355

Fax: 86-532-8502-7205

#### China - Shanghai

Tel: 86-21-3326-8000

Fax: 86-21-3326-8021

#### China - Shenyang

Tel: 86-24-2334-2829

Fax: 86-24-2334-2393

#### China - Shenzhen

Tel: 86-755-8864-2200

Fax: 86-755-8203-1760

#### China - Wuhan

Tel: 86-27-5980-5300

Fax: 86-27-5980-5118

#### China - Xian

Tel: 86-29-8833-7252

Fax: 86-29-8833-7256

### ASIA/PACIFIC

#### China - Xiamen

Tel: 86-592-2388138

Fax: 86-592-2388130

#### China - Zhuhai

Tel: 86-756-3210040

Fax: 86-756-3210049

#### India - Bangalore

Tel: 91-80-3090-4444

Fax: 91-80-3090-4123

#### India - New Delhi

Tel: 91-11-4160-8631

Fax: 91-11-4160-8632

#### India - Pune

Tel: 91-20-3019-1500

#### Japan - Osaka

Tel: 81-6-6152-7160

Fax: 81-6-6152-9310

#### Japan - Tokyo

Tel: 81-3-6880-3770

Fax: 81-3-6880-3771

#### Korea - Daegu

Tel: 82-53-744-4301

Fax: 82-53-744-4302

#### Korea - Seoul

Tel: 82-2-554-7200

Fax: 82-2-558-5932 or

82-2-558-5934

#### Malaysia - Kuala Lumpur

Tel: 60-3-6201-9857

Fax: 60-3-6201-9859

#### Malaysia - Penang

Tel: 60-4-227-8870

Fax: 60-4-227-4068

#### Philippines - Manila

Tel: 63-2-634-9065

Fax: 63-2-634-9069

#### Singapore

Tel: 65-6334-8870

Fax: 65-6334-8850

#### Taiwan - Hsin Chu

Tel: 886-3-5778-366

Fax: 886-3-5770-955

#### Taiwan - Kaohsiung

Tel: 886-7-213-7830

#### Taiwan - Taipei

Tel: 886-2-2508-8600

Fax: 886-2-2508-0102

#### Thailand - Bangkok

Tel: 66-2-694-1351

Fax: 66-2-694-1350

### EUROPE

#### Austria - Wels

Tel: 43-7242-2244-39

Fax: 43-7242-2244-393

#### Denmark - Copenhagen

Tel: 45-4450-2828

Fax: 45-4485-2829

#### Finland - Espoo

Tel: 358-9-4520-820

#### France - Paris

Tel: 33-1-69-53-63-20

Fax: 33-1-69-30-90-79

#### Germany - Garching

Tel: 49-8931-9700

#### Germany - Haan

Tel: 49-2129-3766400

#### Germany - Heilbronn

Tel: 49-7131-67-3636

#### Germany - Karlsruhe

Tel: 49-721-625370

#### Germany - Munich

Tel: 49-89-627-144-0

Fax: 49-89-627-144-44

#### Germany - Rosenheim

Tel: 49-8031-354-560

#### Israel - Ra'anana

Tel: 972-9-744-7705

#### Italy - Milan

Tel: 39-0331-742611

Fax: 39-0331-466781

#### Italy - Padova

Tel: 39-049-7625286

#### Netherlands - Drunen

Tel: 31-416-690399

Fax: 31-416-690340

#### Norway - Trondheim

Tel: 47-7289-7561

#### Poland - Warsaw

Tel: 48-22-3325737

#### Romania - Bucharest

Tel: 40-21-407-87-50

#### Spain - Madrid

Tel: 34-91-708-08-90

Fax: 34-91-708-08-91

#### Sweden - Gothenberg

Tel: 46-31-704-60-40

#### Sweden - Stockholm

Tel: 46-8-5090-4654

#### UK - Wokingham

Tel: 44-118-921-5800

Fax: 44-118-921-5820

# Mouser Electronics

Authorized Distributor

Click to View Pricing, Inventory, Delivery & Lifecycle Information:

[Microchip:](#)

[HV518PJ-G](#) [HV518PJ](#) [HV518PJ-M903](#) [HV518P](#) [HV518PJ-M903-G](#) [HV518P-G](#) [HV518PJ-G M903](#) [HV518PJ-G-M903](#)

Компания «Life Electronics» занимается поставками электронных компонентов импортного и отечественного производства от производителей и со складов крупных дистрибьюторов Европы, Америки и Азии.

С конца 2013 года компания активно расширяет линейку поставок компонентов по направлению коаксиальный кабель, кварцевые генераторы и конденсаторы (керамические, пленочные, электролитические), за счёт заключения дистрибьюторских договоров

Мы предлагаем:

- Конкурентоспособные цены и скидки постоянным клиентам.
- Специальные условия для постоянных клиентов.
- Подбор аналогов.
- Поставку компонентов в любых объемах, удовлетворяющих вашим потребностям.
- Приемлемые сроки поставки, возможна ускоренная поставка.
- Доставку товара в любую точку России и стран СНГ.
- Комплексную поставку.
- Работу по проектам и поставку образцов.
- Формирование склада под заказчика.
- Сертификаты соответствия на поставляемую продукцию (по желанию клиента).
- Тестирование поставляемой продукции.
- Поставку компонентов, требующих военную и космическую приемку.
- Входной контроль качества.
- Наличие сертификата ISO.

В составе нашей компании организован Конструкторский отдел, призванный помогать разработчикам, и инженерам.

Конструкторский отдел помогает осуществить:

- Регистрацию проекта у производителя компонентов.
- Техническую поддержку проекта.
- Защиту от снятия компонента с производства.
- Оценку стоимости проекта по компонентам.
- Изготовление тестовой платы монтаж и пусконаладочные работы.



Тел: +7 (812) 336 43 04 (многоканальный)

Email: [org@lifeelectronics.ru](mailto:org@lifeelectronics.ru)