

# Hawk 3 Digital Panel Meter/Controller



- All parameters set from easy to understand front panel access
- One, two or four 5-amp relays optional
- Five user-selectable brightness levels
- 1/8 DIN, shallow depth case, 3.24"
- RS485 digital communications optional (H345)
- 12 or 24 DCV power supply output optional
- 4-20mA or 0-10 DCV analog transmission optional
- NEMA 4X rated front panel

## Specifications

### DISPLAY

|                       |   |
|-----------------------|---|
| Type                  | 7-segment, red LED  |
| Quantity              | 4 or 5  |
| Brightness            | 5 user-selectable levels                                  |
| Height                | 0.56" (14.2mm)  |
| Decimal point         | 4 or 5 position, user programmable                        |
| Overrange indication  | Display flashes "EEEE" indicating Maximum Value Exceeded  |
| Underrange indication | Display flashes "-EEEE" indicating Minimum Value Exceeded |
| Alarm Indicators      | 4 LED indicators for up to four independent setpoints     |

### POWER REQUIREMENTS

|           |                        |
|-----------|------------------------|
| AC        | 120, 85-250 VAC @ 10VA |
| DC        | 9-36 DCV @ 10VA        |
| ISOLATION | 250V RMS MAX           |

| ACCURACY @ 25°C as % of rdg | 4-1/2 digit     | 3-1/2 digit     |
|-----------------------------|-----------------|-----------------|
| <b>DC Current</b>           |                 |                 |
| High (5A, 2A)               | 0.2% ± 1 count  | 0.3% ± 1 count  |
| All Others                  | 0.05% ± 1 count | 0.1% ± 1 count  |
| <b>DC Volts</b>             |                 |                 |
| High (600 V)                | 0.1% ± 1 count  | 0.2% ± 1 count  |
| All others                  | 0.05% ± 1 count | 0.1% ± 1 count  |
| <b>Resistance</b>           |                 |                 |
| All ranges                  | 0.1% ± 2 counts | 0.1% ± 2 counts |
| <b>*AC Current</b>          |                 |                 |
| High (2A, 5A)               | 0.2% ± 2 counts | 0.3% ± 2 counts |
| All others                  | 0.1% ± 2 counts | 0.2% ± 2 counts |
| <b>*AC Volts</b>            |                 |                 |
| High (600V)                 | 0.1% ± 1 count  | 0.2% ± 1 count  |
| All others                  | 0.05% ± 1 count | 0.1% ± 1 count  |

\* AC functions measured at 50 Hz, include ± 1 count for each additional 100 Hz above 50 Hz

### ENVIRONMENTAL

|                       |                  |
|-----------------------|------------------|
| Operating Temperature | 0 to 50°C        |
| Storage Temperature   | -10 to +60°C     |
| Relative Humidity     | <80%             |
| Ambient Temperature   | 25°C             |
| Temperature Drift     | 100 ppm/°C       |
| Warmup Time           | 10 minutes       |
| Noise Rejection       |                  |
| NMRR                  | 60 dB @ 50-60 Hz |
| CMRR                  | 70 dB @ 50-60 Hz |

### A TO D CONVERSION

|              |  |
|--------------|--|
| Technique    | Successive approximation with oversampling           |
| Sample Rate  | 10 conversions per second                            |
| Display Rate | User programmable<br>1-420 updates/min (240 default) |

### MECHANICAL

|              |   |
|--------------|---|
| Bezel        | 3.9" x 2.0" x 0.52" (99.8mm x 51.9mm x 13.2 mm) |
| Depth        | 3.24" (82.3 mm)                                 |
| Panel Cutout | 3.62" x 1.77" (92 mm x 45mm)                    |
| Weight       | 10 oz (283.5g)                                  |
| Cover        | NEMA 4X Rated front panel                       |

more >>



# Hawk 3 Digital Panel Meter/Controller

## Ordering Information

Hawk 3 Indicators can be configured by making an entry into each section. Example: H335-3-71-0-4-1



**Basic Unit    Power Supply    Function/Range    Output Signal    5A Relay    Excitation**

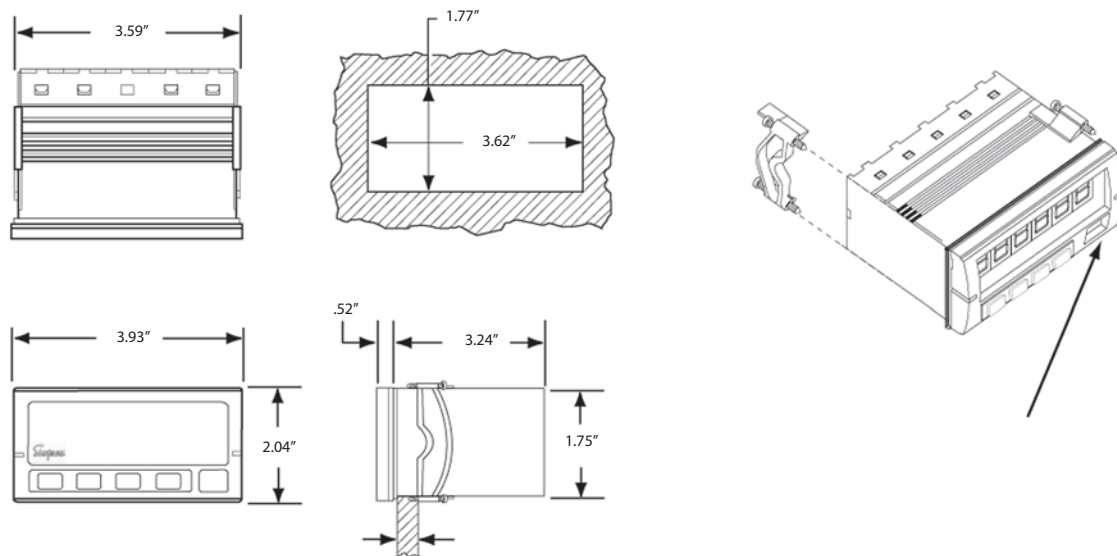
| Selection                | Description             | Selection                       | Description         |
|--------------------------|-------------------------|---------------------------------|---------------------|
| <b>Basic Unit</b>        |                         | <b>Function/Range continued</b> |                     |
| H335                     | 3-1/2 digit, Red LED    | 51                              | 200 ACmV TRMS       |
| H345                     | 4-1/2 digit, Red LED    | 52                              | 2 ACV TRMS          |
| <b>Power Supply</b>      |                         | 53                              | 20 ACV TRMS         |
| 1                        | 120 ACV (3-1/2 only)    | 54                              | 200 ACV TRMS        |
| 2                        | 85-250 ACV (4-1/2 only) | 55                              | 600 ACV* TRMS       |
| 3                        | 9-36 DCV                | 61                              | 200 ACμA TRMS       |
| 4                        | 85-250 ACV (3-1/2 only) | 62                              | 2 ACmA TRMS         |
| <b>Function/Range</b>    |                         | 63                              | 20 ACmA TRMS        |
| 11                       | 200 DCmv                | 64                              | 200 ACmA TRMS       |
| 12                       | 2 DCV                   | 65                              | 2 ACA TRMS          |
| 13                       | 20 DCV                  | 66                              | 5 ACA TRMS          |
| 14                       | 200 DCV                 | 71                              | 4-20 DCmA Process   |
| 15                       | 600 DCV*                | 72                              | 0-10 DCV Process    |
| 21                       | 200 DCμA                | 81                              | 200 Ohm             |
| 22                       | 2 DCmA                  | 82                              | 2K Ohm              |
| 23                       | 20 DCmA                 | 83                              | 20K Ohm             |
| 24                       | 200 DCmA                | 84                              | 200K Ohm            |
| 25                       | 2 DCA                   | <b>Output</b>                   |                     |
| 26                       | 5 DCA                   | 0                               | None                |
| 31                       | 200 ACmV                | 1                               | 4-20 DCmA           |
| 32                       | 2 ACV                   | 2                               | 0-10 DCV            |
| 33                       | 20 ACV                  | 6                               | RS-485 (4-1/2 only) |
| 34                       | 200 ACV                 | <b>5A Relays</b>                |                     |
| 35                       | 600 ACV*                | 0                               | None                |
| 41                       | 200 ACμA                | 1                               | One                 |
| 42                       | 2 ACmA                  | 2                               | Two                 |
| 43                       | 20 ACmA                 | 4                               | Four                |
| 44                       | 200 ACmA                | <b>Excitation</b>               |                     |
| 45                       | 2 ACA                   | 0                               | None                |
| 46                       | 5 ACA                   | 1                               | 12 DCV              |
| Continued on next column |                         | 2                               | 24 DCV              |

\* Awaiting UL approval



# Hawk 3 Installation Instructions

## Installation and Panel Cutout - H335, H340, H345



### Mounting Requirements

The Hawk 3 Advanced Digital Controller 1/8 DIN meters require a panel cutout of 1.77" (45mm) high and 3.62" (92 mm) wide). To install the Hawk 3 meter into the panel cutout, remove the clips from the side of the meter. Slide the meter through the panel cutout, then slide the mounting clips back on the meter. Press evenly to ensure a proper fit. Tighten screws.

### Engineering Label Placement

To replace the engineering unit label, place the tip of a ballpoint pen into the small hole at the base of the engineering label in the bezel. Slide the label up until it pops out. Grasp and remove. Slide the new label half the distance in, then use the ballpoint pen to slide it into place.

## Inputs

### DC Voltage

| Range | Resolution 4.5 | Resolution 3.5 | Input Impedance | Overload |
|-------|----------------|----------------|-----------------|----------|
| 200mV | 10µV           | .1mV           | 1MΩ             | 5DCV     |
| 2V    | .1mV           | 1mV            | 1MΩ             | 5DCV     |
| 20V   | 1mV            | 10mV           | 1MΩ             | 300DCV   |
| 200V  | 10mV           | .1mV           | 1MΩ             | 300DCV   |
| 600V  | .1V            | 1V             | 1MΩ             | 1KDCV    |

### DC Current

| Range | Resolution 4.5 | Resolution 3.5 | Input Impedance | Overload |
|-------|----------------|----------------|-----------------|----------|
| 200µA | 10nA           | .1µA           | 1KΩ             | 45mADC   |
| 2mA   | .1µA           | 1µA            | 100Ω            | 45mA DC  |
| 20mA  | 1µA            | 10µA           | 10Ω             | 200mADC  |
| 200mA | 10µA           | .1mA           | 1Ω              | 600mA DC |
| 2A    | .1mA           | 1mA            | .013Ω           | 5.5A DC  |
| 5A    | .1mA           | 1mA            | .013Ω           | 5.5A DC  |

### AC Current

| Range | Resolution 4.5 | Resolution 3.5 | Input Impedance | Overload |
|-------|----------------|----------------|-----------------|----------|
| 200µA | 10nA           | .1µA           | 1KΩ             | 45mA DC  |
| 2mA   | .1µA           | 1µA            | 100Ω            | 45mA DC  |
| 20mA  | 1µA            | 10µA           | 10Ω             | 200mA DC |
| 200mA | 10µA           | .1mA           | 1Ω              | 600mA DC |
| 2A    | .1mA           | 1mA            | .013Ω           | 5.5A DC  |
| 5A    | .1mA           | 1mA            | .013Ω           | 5.5A DC  |

### AC Voltage

| Range | Resolution 4.5 | Resolution 3.5 | Input Impedance | Overload |
|-------|----------------|----------------|-----------------|----------|
| 200mV | 10µV           | .1mV           | 200KΩ           | 5DCV     |
| 2V    | .1mV           | 1mV            | 200KΩ           | 5DCV     |
| 20V   | 1mV            | 10mV           | 1MΩ             | 300DCV   |
| 200V  | 10mV           | .1V            | 1MΩ             | 300DCV   |
| 600V  | .1V            | 1V             | 1MΩ             | 1KDCV    |

### Resistance

| Range | Resolution 4.5 | Resolution 3.5 | Input Impedance | Overload |
|-------|----------------|----------------|-----------------|----------|
| 200Ω  | 10mΩ           | .1Ω            | 1.2KΩ           | ± 5DCV   |
| 2KΩ   | .1Ω            | 1Ω             | 12KΩ            | ± 5DCV   |
| 20KΩ  | 1Ω             | 10Ω            | 121K            | ± 5DCV   |
| 200KΩ | 10Ω            | 100Ω           | 1.2MΩ           | ± 5DCV   |

Компания «Life Electronics» занимается поставками электронных компонентов импортного и отечественного производства от производителей и со складов крупных дистрибьюторов Европы, Америки и Азии.

С конца 2013 года компания активно расширяет линейку поставок компонентов по направлению коаксиальный кабель, кварцевые генераторы и конденсаторы (керамические, пленочные, электролитические), за счёт заключения дистрибьюторских договоров

Мы предлагаем:

- Конкурентоспособные цены и скидки постоянным клиентам.
- Специальные условия для постоянных клиентов.
- Подбор аналогов.
- Поставку компонентов в любых объемах, удовлетворяющих вашим потребностям.
- Приемлемые сроки поставки, возможна ускоренная поставка.
- Доставку товара в любую точку России и стран СНГ.
- Комплексную поставку.
- Работу по проектам и поставку образцов.
- Формирование склада под заказчика.
- Сертификаты соответствия на поставляемую продукцию (по желанию клиента).
- Тестирование поставляемой продукции.
- Поставку компонентов, требующих военную и космическую приемку.
- Входной контроль качества.
- Наличие сертификата ISO.

В составе нашей компании организован Конструкторский отдел, призванный помогать разработчикам, и инженерам.

Конструкторский отдел помогает осуществить:

- Регистрацию проекта у производителя компонентов.
- Техническую поддержку проекта.
- Защиту от снятия компонента с производства.
- Оценку стоимости проекта по компонентам.
- Изготовление тестовой платы монтаж и пусконаладочные работы.



Тел: +7 (812) 336 43 04 (многоканальный)

Email: [org@lifeelectronics.ru](mailto:org@lifeelectronics.ru)