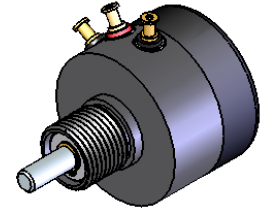




6209 SERIES

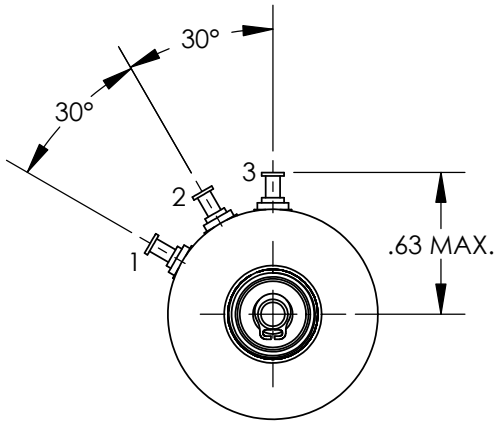
7/8 In. Dia. Bushing Mount
PRECISION POSITION
SENSORS



STANDARD PRODUCT OFFERING

| SS&C PART NUMBER | RESISTANCE |
|------------------|------------|
| 6209-1000-030 | 1KΩ ±10% |
| 6209-1002-030 | 5KΩ ±10% |
| 6209-1003-030 | 10KΩ ±10% |

MOUNTING HARDWARE FURNISHED



STANDARD MODEL ELECTRICAL CHARACTERISTICS

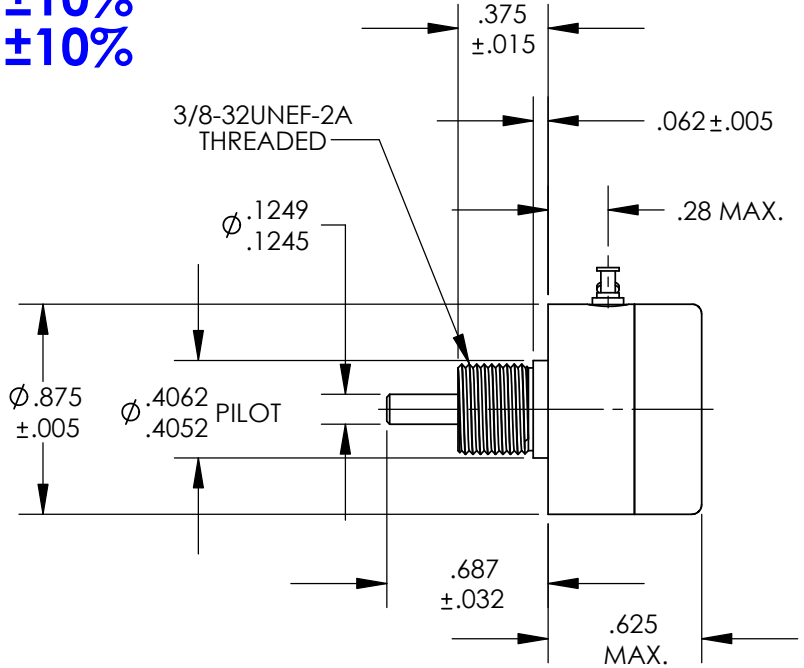
| | |
|-------------------------------|------------------------|
| RESISTANCE: | 1kΩ to 10kΩ ±10% |
| ACTIVE ELECTRICAL ANGLE: | 340° |
| ELECTRICAL CONTINUITY ANGLE: | 344° MIN. |
| INDEPENDENT LINEARITY: | ±0.5% |
| END VOLTAGE: | 0.5% MAX. |
| VOLTAGE RESOLUTION: | VIRTUALLY INFINITE |
| OUTPUT SMOOTHNESS: | 0.1% MAX. |
| RESISTANCE TEMP. COEFFICIENT: | 400PPM/°C MAX. |
| POWER RATING @ 70°C: | 1.0 WATT MAX. |
| WIPER CONTACT CURRENT: | 10 MilliAmps MAX. |
| DIELECTRIC STRENGTH: | 750 VRMS @ 60Hz |
| INSULATION RESISTANCE: | 100 MegΩ MIN. @ 500VDC |

STANDARD MODEL MECHANICAL CHARACTERISTICS

| | |
|------------------------|-------------------|
| MECHANICAL ROTATION: | CONTINUOUS |
| STARTING TORQUE: | 0.25 Oz.-In. MAX. |
| RUNNING TORQUE: | 0.20 Oz.-In. MAX. |
| TOTAL WEIGHT (1-GANG): | 0.6 Oz. MAX. |
| PILOT RUNOUT: | 0.001 In. TIR |
| SHAFT RUNOUT: | 0.001 In. TIR |
| SHAFT END PLAY: | 0.003 MAX. |
| SHAFT RADIAL PLAY: | 0.001 In. TIR |
| LATERAL RUNOUT: | 0.002 In. TIR |

STANDARD MATERIALS OF CONSTRUCTION

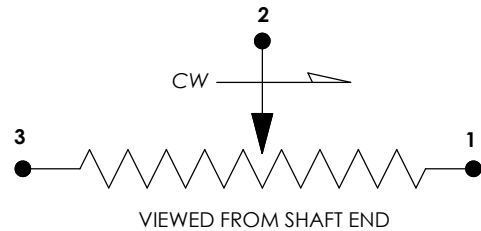
| | |
|--------------------------|------------------------------|
| HOUSING AND COVER: | ANODIZED ALUMINUM |
| SHAFT AND BALL BEARINGS: | STAINLESS STEEL |
| RESISTANCE ELEMENT: | CO-MOLDED CONDUCTIVE PLASTIC |
| ELECTRICAL CONTACTS: | MULTI-FINGER PRECIOUS METAL |
| SOLDER TERMINALS: | GOLD PLATED BRASS |



STANDARD ENVIRONMENTAL CHARACTERISTICS

| | |
|----------------------------|--|
| OPERATING TEMP. RANGE: | -65°C To +125°C |
| ROTATIONAL OPERATING LIFE: | 100 x 10 ⁶ REVOLUTIONS MIN. |

SCHEMATIC DIAGRAM



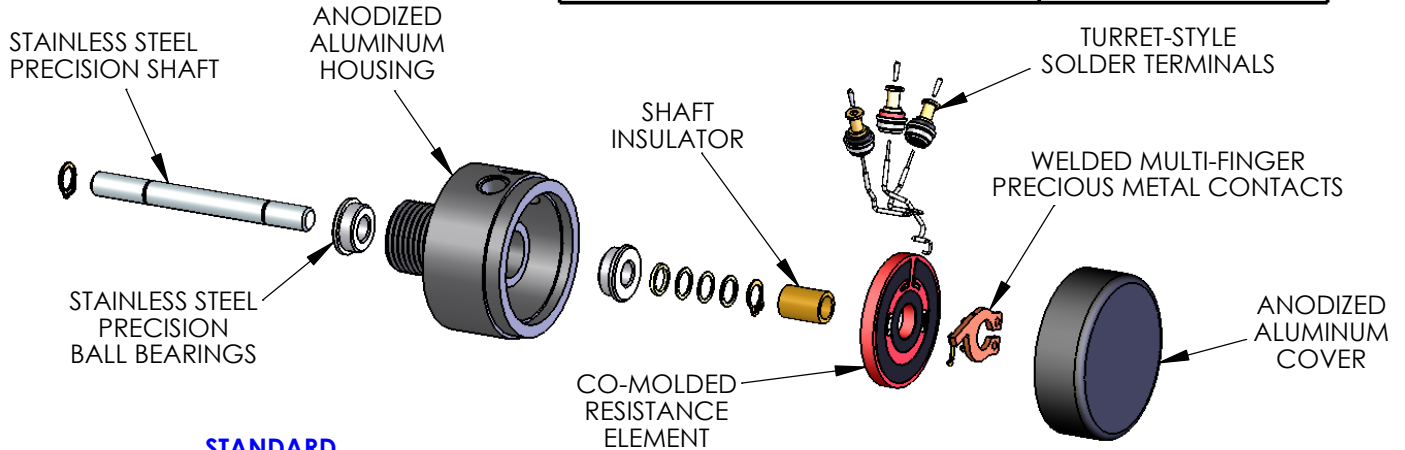
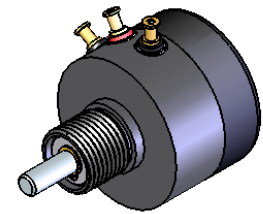
ALL OTHER GENERAL REQUIREMENTS IN ACCORDANCE WITH MIL-PRF-39023

CONTACT:

SPECTRUM SENSORS & CONTROLS, INC.
424 CROWN POINT CIRCLE, GRASS VALLEY, CA 95945
(800) 880-7730 (530) 273-4608 FAX: (530) 273-0769
E-MAIL: sales@specsensors.com

6209 SERIES

7/8 In. Dia. Bushing Mount
PRECISION POSITION
SENSORS



STANDARD ELECTRICAL CHARACTERISTICS

| | |
|-------------------------------|--|
| RESISTANCES ($\pm 10\%$): | 1K Ω , 5K Ω , and 10k Ω |
| ACTIVE ELECTRICAL ANGLE: | 340° |
| ELECTRICAL CONTINUITY ANGLE: | 344° MIN. |
| INDEPENDENT LINEARITY: | $\pm 0.5\%$ |
| END VOLTAGE: | 0.5% MAX. |
| VOLTAGE RESOLUTION: | VIRTUALLY INFINITE |
| OUTPUT SMOOTHNESS: | 0.1% MAX. |
| RESISTANCE TEMP. COEFFICIENT: | 400PPM/°C MAX. |
| POWER RATING @ 70°C: | 1.0 WATT MAX. |
| WIPER CONTACT CURRENT: | 10 MilliAmps MAX. |
| DIELECTRIC STRENGTH: | 750 VRMS @ 60Hz |
| INSULATION RESISTANCE: | 100 Meg Ω MIN. @ 500VDC |

STANDARD MECHANICAL CHARACTERISTICS

| | |
|------------------------|-------------------|
| MECHANICAL ROTATION: | CONTINUOUS |
| STARTING TORQUE: | 0.25 Oz.-In. MAX. |
| RUNNING TORQUE: | 0.20 Oz.-In. MAX. |
| TOTAL WEIGHT (1-GANG): | 0.6 Oz. MAX. |
| PILOT RUNOUT: | 0.001 In. TIR |
| SHAFT RUNOUT: | 0.001 In. TIR |
| SHAFT END PLAY: | 0.003 MAX. |
| SHAFT RADIAL PLAY: | 0.001 In. TIR |
| LATERAL RUNOUT: | 0.002 In. TIR |

STANDARD ENVIRONMENTAL CHARACTERISTICS

| | |
|----------------------------|--|
| OPERATING TEMP. RANGE: | -65°C To +125°C |
| ROTATIONAL OPERATING LIFE: | 100 x 10 ⁶ REVOLUTIONS MIN. |

STANDARD MATERIALS OF CONSTRUCTION

| | |
|--------------------------|------------------------------|
| HOUSING AND COVER: | ANODIZED ALUMINUM |
| SHAFT AND BALL BEARINGS: | STAINLESS STEEL |
| RESISTANCE ELEMENT: | CO-MOLDED CONDUCTIVE PLASTIC |
| ELECTRICAL CONTACTS: | MULTI-FINGER PRECIOUS METAL |
| SOLDER TERMINALS: | GOLD PLATED BRASS |

ALL OTHER GENERAL REQUIREMENTS IN ACCORDANCE WITH MIL-PRF-39023

CONTACT: SPECTRUM SENSORS & CONTROLS, INC.
424 CROWN POINT CIRCLE, GRASS VALLEY, CA 95945
(800) 880-7730 (530) 273-4608 FAX: (530) 273-0769
E-MAIL: sales@specsensors.com

AVAILABLE OPTIONS

CUSTOM RESISTANCE VALUES (500 Ω TO 50k Ω) AND TOLERANCES AS LOW AS $\pm 5\%$

SPECIAL LINEARITIES AS LOW AS 0.15%, ABSOLUTE (INDEXED) OR INDEPENDENT OVER SPECIFIED REGIONS.

ADDITIONAL TAPS, CURRENT OR VOLTAGE

CURRENT LIMIT RESISTORS AND OTHER INTERNAL CIRCUIT COMPONENTS (CAPS, DIODES, ETC.)

SPECIAL ELECTRICAL ANGLES UP TO 355° MAX.

WIRE LEADS OR CABLE IN PLACE OF TERMINALS

SPECIAL TRANSFER FUNCTIONS:
NON-LINEAR OUTPUTS
LOAD COMPENSATION
TRIG, LOG, AND EXPONENTIAL OUTPUTS

MULTI-GANG CONSTRUCTION (UP TO 6) ON A COMMON SHAFT OR CONCENTRIC SHAFTING (ADD .320 LENGTH PER GANG).

SPECIAL SHAFT LENGTHS AND FEATURES SUCH AS REAR EXTENSIONS, FLATS, SLOTS, AND STEPS.

SPECIAL TORQUE OR DETENT REQUIREMENTS, AS LOW AS .015 Oz.-In. STARTING TORQUE.

SPECIAL MOUNTING DIMENSIONS OR FEATURES SUCH AS ANTI-ROTATION LOCATING PINS AND BUSHING FLATS OR SLOTS.

ROTATIONAL STOPS LIMITING SHAFT TRAVEL.

ANCILLIARY DEVICES SUCH AS SPRING RETURNS, CLUTCHES, BRAKES, AND SWITCHES.

SPECIAL ENVIRONMENTAL CAPABILITIES SUCH AS MOISTURE SEALS, HIGH SHOCK AND VIBRATION.

Компания «Life Electronics» занимается поставками электронных компонентов импортного и отечественного производства от производителей и со складов крупных дистрибьюторов Европы, Америки и Азии.

С конца 2013 года компания активно расширяет линейку поставок компонентов по направлению коаксиальный кабель, кварцевые генераторы и конденсаторы (керамические, пленочные, электролитические), за счёт заключения дистрибьюторских договоров

Мы предлагаем:

- Конкуренеспособные цены и скидки постоянным клиентам.
- Специальные условия для постоянных клиентов.
- Подбор аналогов.
- Поставку компонентов в любых объемах, удовлетворяющих вашим потребностям.
- Приемлемые сроки поставки, возможна ускоренная поставка.
- Доставку товара в любую точку России и стран СНГ.
- Комплексную поставку.
- Работу по проектам и поставку образцов.
- Формирование склада под заказчика.
- Сертификаты соответствия на поставляемую продукцию (по желанию клиента).
- Тестирование поставляемой продукции.
- Поставку компонентов, требующих военную и космическую приемку.
- Входной контроль качества.
- Наличие сертификата ISO.

В составе нашей компании организован Конструкторский отдел, призванный помогать разработчикам, и инженерам.

Конструкторский отдел помогает осуществить:

- Регистрацию проекта у производителя компонентов.
- Техническую поддержку проекта.
- Защиту от снятия компонента с производства.
- Оценку стоимости проекта по компонентам.
- Изготовление тестовой платы монтаж и пусконаладочные работы.



Тел: +7 (812) 336 43 04 (многоканальный)

Email: org@lifeelectronics.ru