

SUBSYSTEM BOARD 5683

Monterey (MAXREFDES15#): Ultra-Low Power, High-Accuracy 4–20mA 2-Wire Current-Loop Sensor

By: Muhammad
Qazi
Carmelo
Morello
Oct 18, 2013

Abstract: The Monterey (MAXREFDES15#) subsystem reference design is a high-accuracy industrial loop powered sensor transmitter that connects to any standard PT1000 resistance sensor and converts the linearized temperature to a 4–20mA current signal, which is immune to noise and remains constant over long distances.

A similar version of this article appears on [EDN](#), March 13, 2014.

Introduction

The 4–20mA current loop is widely used as an analog communication interface in industrial applications for transmitting the data from remote sensors to a programmable logic controller (PLC) in a central control center over a twisted pair cable. Here, 4mA represents the lowest temperature value, and 20mA represents the highest measured temperature. There are four main advantages of the current loop. First, the accuracy of the signal is not affected by the voltage drop in the loop, as long as the power-supply voltage is greater than the total voltage drop across the loop. Secondly, it uses two wires for power as well as data communication over the entire loop. Thirdly, it is more immune to noise. And lastly, it is offered at a low cost and easy installation.



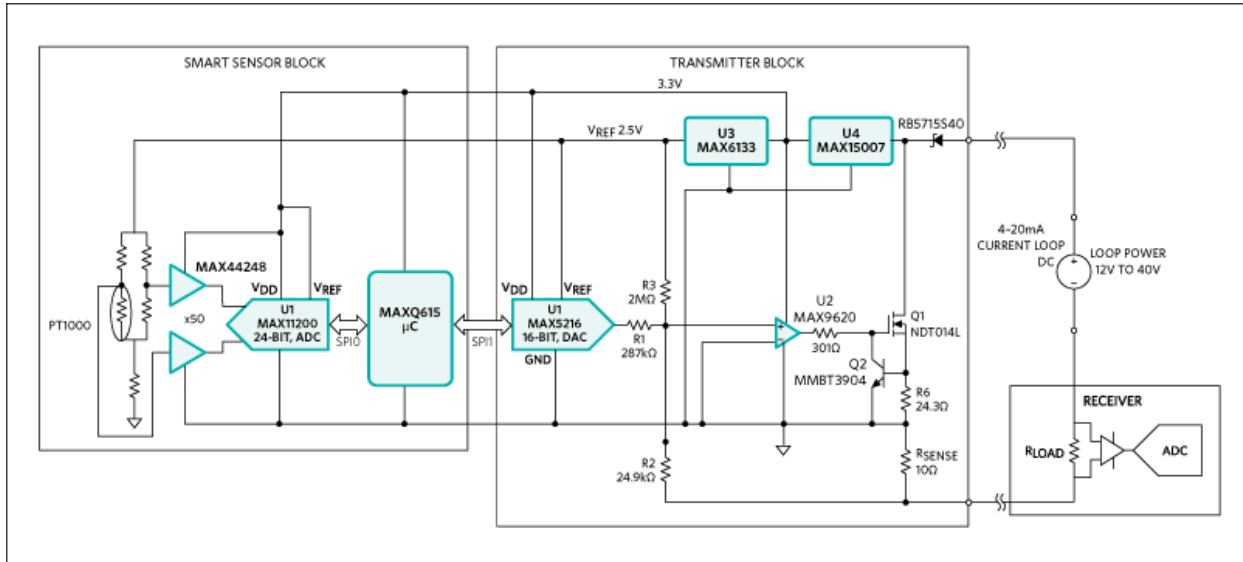
[More detailed image \(JPG\)](#)

The Monterey design is based on a complete Maxim solution which combines ultra-low power, high accuracy, and high precision.

1. MAX44248 low-noise, zero-drift op amplifier
2. [MAX11200](#) high-accuracy, low-power, 24-bit delta-sigma ADC
3. [MAXQ615](#) low-power microcontroller
4. MAX5216 low-noise, high-accuracy, low-power 16-bit DAC
5. MAX9620 low-power op amplifier
6. MAX15007, wide Input voltage low-power LDO

This loop-powered sensor transmitter is targeted for industrial sensors, industrial automation, and process control, but it can be used in any application requiring high-accuracy conversion.

Simplicity, reliability, good noise immunity, long distance, and low cost make the Monterey ([MAXREFDES15#](#)) (Figure 1) interface well suited for industrial process control and automation of remote objects.



[More detailed image \(GIF\)](#)

Figure 1. The Monterey subsystem design block diagram.

Features

- Ultra-low power
- -100°C to +100°C interval
- High accuracy
- High precision
- Simple power supply and wide input range
- System current consumption less than 2.1mA
- Resistance temperature detector (RTD) PT1000
- Resolution 10,000 counts or 0.1%
- Accuracy 0.25%

Equipment Required

- 10V to 40V power supply
- High-accuracy current meter
- RTD PT1000 sensor or a temperature calibrator

Quick Start

- Connect an industrial standard power supply across **LOOP+** and **LOOP-** terminals of J1 to power up the board.
- Connect the sensor across J3. The current design of the board is configured for 2-wire RTD application. Minor modifications at the sensor side can be performed to use a 3/4-wire RTD application.

Jumper Descriptions

Table 1. Connector Description and Default Jumper Positions		
Jumper	Default Position	Function
J1	Installed	Power pin for Monterey Board. Connect across LOOP+ and LOOP- for power.
J2	Installed	
J3	Installed	Connect RTD across IN+ and IN-.
J4	Installed across pins 1 and 2	Using a jumper across pins 1 and 2 of J4 uses the MAX44248. This case is used to gain the input signal.

J5	Not installed	Using a jumper across pins 2 and 3 of J5 bypass the MAX44248. The input signal range is high and amplifier is not required.
J6	Not installed	
J7	Installed	
J8	Installed	
J9	Installed	When not installed, this jumper's subsequent pins can be used to measure the loop-generated current.

Test Procedure

Relation Between Current Output (mA) and Temperature (°C)

The simplified correspondence between the generated output current and the temperature can be expressed by the following equation below:

$$I_{OUT} = 16\text{mA}[T^{\circ}\text{C}/200^{\circ}\text{C}] + 12\text{mA}$$

where T is the temperature sensed by the RTD and I_{OUT} is the current loop.

If RTD Used

- If RTD is used, test it at different temperatures, and observe the associated loop current.
- At -100°C, the expected current is 4mA
- At -50°C, the expected current is 8mA
- At 0°C, the expected current is 12mA
- At +50°C, the expected current is 16mA
- At +100°C, the expected current is 20mA

If RTD Calibrator Used

- If calibrator is used, test by varying the temperature value to change the resistance across the RTD calibrator terminals.
- Observe:
 - At -100°C, the expected current is 4mA
 - At -50°C, the expected current is 8mA
 - At 0°C, the expected current is 12mA
 - At +50°C, the expected current is 16mA
 - At +100°C the expected current is 20mA

Detailed Description

The entire 4–20mA loop application consists of:

- Smart sensor transmitter (process measurement field instrument)
- Receiver (PLC)

The MAXREFDES15# contains the sensor analog front-end, the microcontroller, and the transmitter (**Figure 2**). The 4–20mA receiver can be implemented by Santa Fe (MAXREFDES5#) and Campbell (MAXREFDES4#). Information about the Santa Fe and Campbell can be found at

[Santa Fe \(MAXREFDES5#\)](#)
[Campbell \(MAXREFDES4#\)](#)

This document describes the operation of the smart sensor enabling the 4–20mA loop process.

The Smart Sensor Transmitter

The smart sensor transmitter block (see Figure 2) consists of:

- Analog front-end
- Microcontroller

- Transmitter

The analog front-end combines the following:

- RTD sensor PT1000
- Ultra-precision, low-noise, zero-drift operational amplifier (MAX44248)
- Ultra-low-power, high-accuracy delta-sigma ADC (MAX11200)

The low-power microcontroller (MAXQ615) is used to implement calibration and linearization.

The sensor used in the Monterey board is a platinum resistance thermometer (PT1000). The entire system offers excellent accuracy of wide temperature range from -100°C to +100°C. The basic operation of this sensor block is to measure the temperature, which is subsequently converted into current by the 4–20mA loop current source.

The variation in temperature creates a change in galvanic resistance of the wheatstone bridge, due to change in the resistivity of the RTD element. As the temperature ranges from -100°C to +100°C, a 150mV differential voltage swing is observed across the wheatstone bridge to INPUT A and INPUT B of the 50x amplifier.

The gain stage is used to amplify very minor differential voltage arising from the wheat-stone bridge. Jumpers J4 and J5 provide options to use the amplifier stage or bypass it. When used, the differential voltage is gained 50 times by using the MAX44248 before digitized by the MAX11200 ADC. A dual amplifier stage (MAX44248) is used as a 50x differential amplifier. The gain can be changed by changing the resistors to match the desired signal range from the wheatstone bridge, thereby maintaining proper input signal range and output swing from the amplifier driving the ADC.

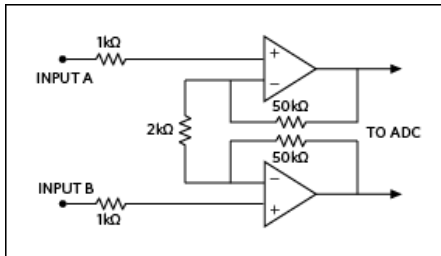


Figure 2. Amplifier gain stage sensor block.

The MAXQ615 microcontroller then maps for the voltage represented to the calibrated temperature reading that the PT1000 is expected to show. The MAXQ615 has a transfer function that compensates for the nonlinear function of the PT1000. The below equation represents the compensation function:

$$T = 0.8462dV^2 - 48.6623dV - 0.1519$$

where T is the temperature and dV is differential voltage

The above information only supports the PT1000 and for this specified wheatstone bridge configuration, sensor front-end component selection. This mapped information is then sent to the transmitter through the SPI interface for loop-current generation.

The Transmitter Block

The transmitter block description and step-by-step design guide is discussed in the [MAX5216LPT data sheet](#).

Evaluation of 4–20mA Loop Application

To evaluate the complete 4–20mA loop application, the following is required.

- The Monterey Board (MAXREFDES15#), consisting of the smart sensor block and low-power transmitter
- An analog front-end receiver (Santa Fe, Campbell, Fresno)
- An interface board such as [Munich USB2PMB1#](#) can be used to facilitate the evaluation of this application.

The following step-by-step user guide explains testing the entire application using the

- RTD Fluke 724 calibrator at the sensor end
- Monterey Board MAXREFDES15#

Santa Fe Board MAXREFDES5# AFE as receiver

- Munich USB2PMB1# adaptor board

1. Download the most recent version of the Munich USB2PMB1# board software, [PMOD_SPI.ZIP](#). Save the software to a temporary folder and decompress the ZIP file.
2. Connect the USB cable between the Munich USB2PMB1# board and the PC; the USB driver is installed automatically.
3. Connect the Munich USB2PMB1# board's 2 x 6-pin right-angle connector to the Santa Fe's 2 x 6-pin right-angle header.
4. With the power supply off, connect the positive lead of 12V DC power supply to **LOOP+** on the Monterey board.
5. Connect **LOOP-** on the Monterey board to **AIN2** on the Santa Fe board.
6. Connect **GND2** on the Santa Fe board to the negative lead of the power supply.
7. Connect **RTD** connector of the Fluke 724 to **IN+** of the Monterey board.
8. Connect **COM** connector of the Fluke 724 to **IN-** of the Monterey board.
9. Push the **RTD** button on the Fluke 724 to select PT1000.
10. Turn on the power supply.
11. Open the Munich USB2PMB1# GUI and select the Santa Fe tab.
12. Click on the Scan_Devices tab and make sure that Hardware: Santa Fe Connected is shown on the GUI.
13. Select 0V to +6V input range on the GUI.
14. Select PlotCurrent on the GUI.
15. Push the Measure/Source button on the Fluke 724 to select Source.
16. Adjust the arrow button on the Fluke 724 to set the temperature to -100°C. Observe that the current display on the GUI is 4mA.
17. Similarly, adjust the arrow button on the Fluke 724 to set the temperature to +100°C. Observe that the current display on the GUI is 20mA.

Lab Measurements

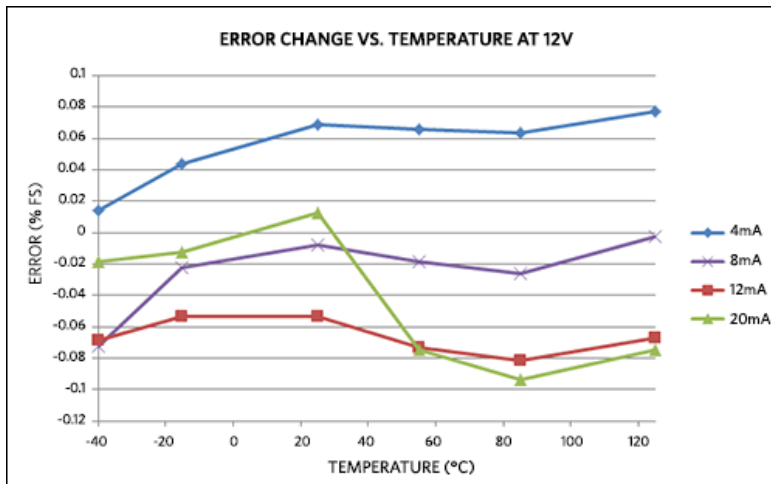


Figure 3. Error change vs. temperature at 12V.

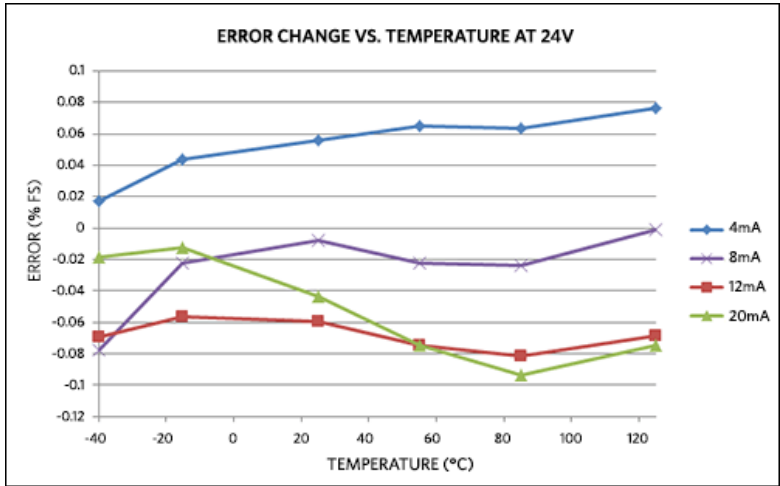


Figure 4. Error change vs. temperature at 24V.

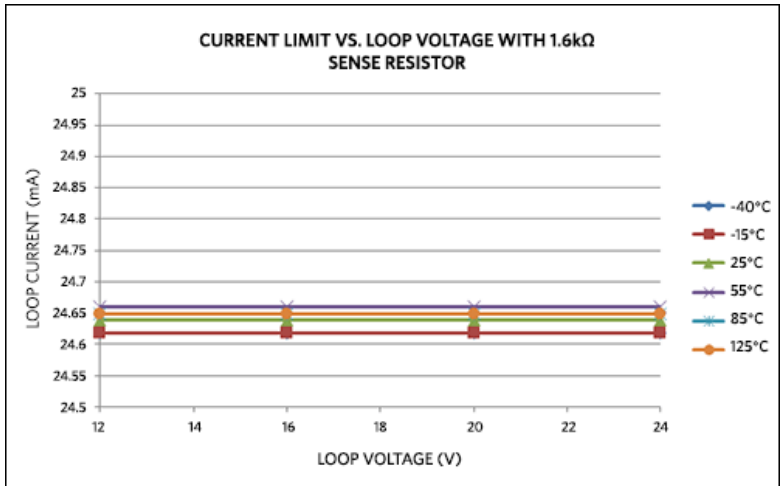


Figure 5. Current limit vs. loop voltage with 1.6k sense resistor.

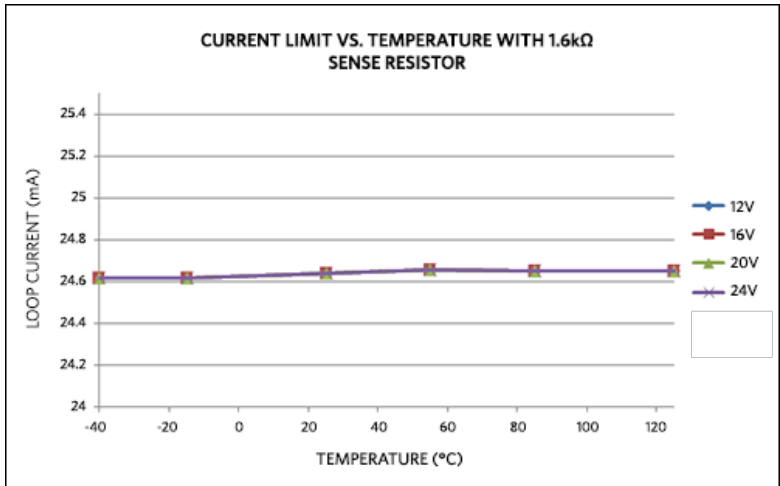


Figure 6. Current limit vs. temperature with 1.6k sense resistor.

All Design Files

[Download All Design Files](#)

Hardware Files

[Schematic](#)
[Bill of materials \(BOM\)](#)
[PCB layout](#)
[PCB Gerber](#)

Firmware Files

The Monterey reference design comes with firmware loaded on the system. For additional details, please [contact the factory](#).

Buy Reference Design

Buy Direct: [Monterey \(MAXREFDES15#\)](#)

Or

Order the Monterey reference design (MAXREFDES15#) from your local Maxim representative.

Related Parts		
MAX11200	24-Bit, Single-Channel, Ultra-Low Power, Delta-Sigma ADCs with GPIO	Free Samples
MAX15007	40V, Ultra-Low Quiescent-Current Linear Regulators in 6-Pin TDFN/8-Pin SO	Free Samples
MAX44248	36V, Precision, Low-Power, 90µA, Single/Quad/Dual Op Amps	Free Samples
MAX5216	14-/16-Bit, Low-Power, Buffered Output, Rail-to-Rail DACs with SPI Interface	Free Samples
MAX6133	3ppm/°C, Low-Power, Low-Dropout Voltage Reference	Free Samples
MAX9620	High-Efficiency, 1.5MHz Op Amps with RRIO	Free Samples

More Information

For Technical Support: <http://www.maximintegrated.com/support>
For Samples: <http://www.maximintegrated.com/samples>
Other Questions and Comments: <http://www.maximintegrated.com/contact>

Application Note 5683: <http://www.maximintegrated.com/an5683>
SUBSYSTEM BOARD 5683, AN5683, AN 5683, APP5683, Appnote5683, Appnote 5683
© 2013 Maxim Integrated Products, Inc.
Additional Legal Notices: <http://www.maximintegrated.com/legal>

Компания «Life Electronics» занимается поставками электронных компонентов импортного и отечественного производства от производителей и со складов крупных дистрибьюторов Европы, Америки и Азии.

С конца 2013 года компания активно расширяет линейку поставок компонентов по направлению коаксиальный кабель, кварцевые генераторы и конденсаторы (керамические, пленочные, электролитические), за счёт заключения дистрибьюторских договоров

Мы предлагаем:

- Конкурентоспособные цены и скидки постоянным клиентам.
- Специальные условия для постоянных клиентов.
- Подбор аналогов.
- Поставку компонентов в любых объемах, удовлетворяющих вашим потребностям.
- Приемлемые сроки поставки, возможна ускоренная поставка.
- Доставку товара в любую точку России и стран СНГ.
- Комплексную поставку.
- Работу по проектам и поставку образцов.
- Формирование склада под заказчика.
- Сертификаты соответствия на поставляемую продукцию (по желанию клиента).
- Тестирование поставляемой продукции.
- Поставку компонентов, требующих военную и космическую приемку.
- Входной контроль качества.
- Наличие сертификата ISO.

В составе нашей компании организован Конструкторский отдел, призванный помогать разработчикам, и инженерам.

Конструкторский отдел помогает осуществить:

- Регистрацию проекта у производителя компонентов.
- Техническую поддержку проекта.
- Защиту от снятия компонента с производства.
- Оценку стоимости проекта по компонентам.
- Изготовление тестовой платы монтаж и пусконаладочные работы.



Тел: +7 (812) 336 43 04 (многоканальный)

Email: org@lifeelectronics.ru