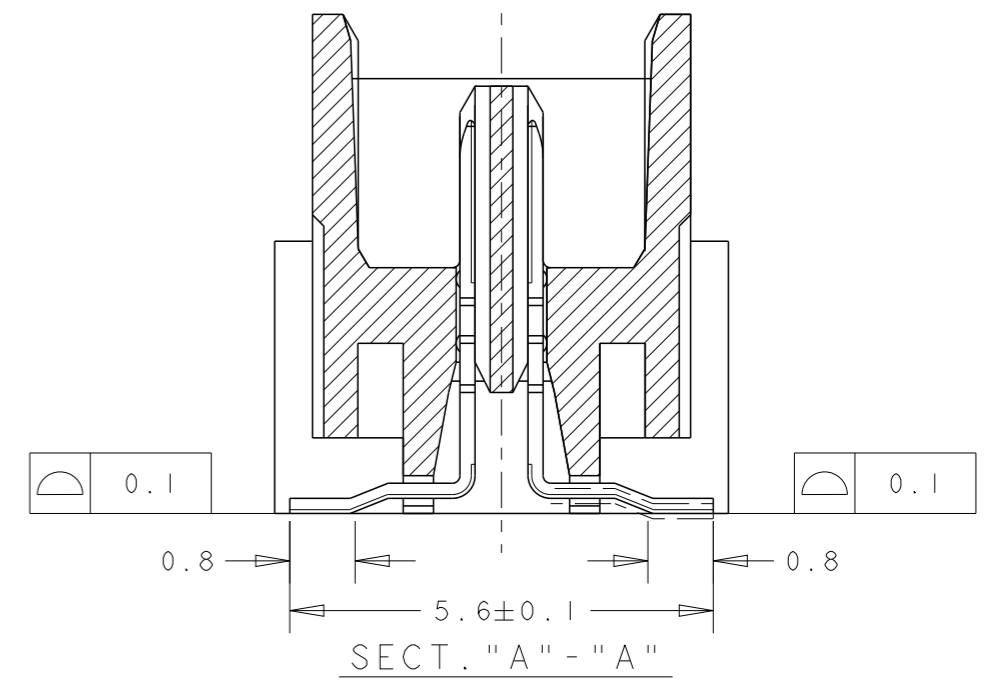
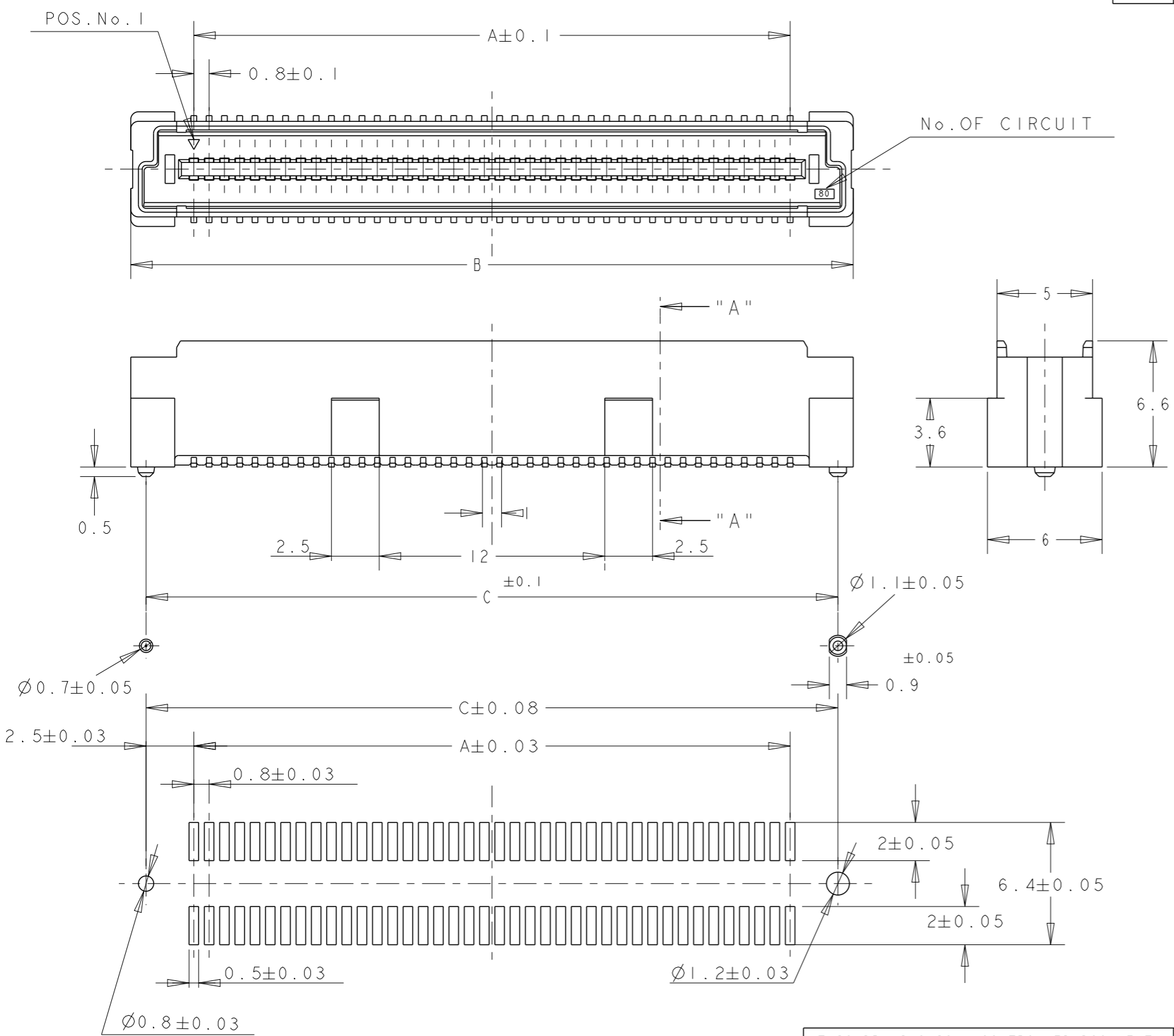


THIS DRAWING IS UNPUBLISHED. RELEASED FOR PUBLICATION 20  
 © COPYRIGHT 20 BY - ALL RIGHTS RESERVED.


| LOC | DIST | REVISIONS                    |         |     |      |
|-----|------|------------------------------|---------|-----|------|
| P   | LTR  | DESCRIPTION                  | DATE    | DWN | APVD |
| DY  | -    | B2 REVISED PER ECR-12-021394 | 12DEC12 | IT  | SY   |



- NOTES:
- 1 MATERIAL:  
HOUSING: L.C.P. (HIGH TEMP THERMO PLASTIC)  
UL 94V-0, NATURAL.  
CONTACT: BRASS.
  - 2 FINISH:  
CONTACT AREA: 0.0002 MIN GOLD ON  
0.0013 MIN ALL OVER NICKEL.
  - 3 SOLDERING AREA: 0.002 MIN MATTE-TIN.
  - 4 POSITION SERIES: SEE TABLE.
  - CONN STACK HEIGHT COMBINE OF PLUG "Y" H VS REC "X" H.  
STACK HEIGHT = Y + X - 5
  - 5 FINISH:  
CONTACT AREA: 0.00076 MIN GOLD ON  
0.0013 MIN ALL OVER NICKEL.  
SOLDERING AREA: 0.002 MIN MATTE-TIN.
  - 6 OBSOLETE PARTS: OBSOLETE CIS STREAMLINING PER  
D.RENAUD/D.SINISI.
  - 7 FINISH:  
CONTACT AREA: 0.00038 MIN GOLD ON  
0.0013 MIN ALL OVER NICKEL.  
SOLDERING AREA: 0.002 MIN MATTE-TIN.

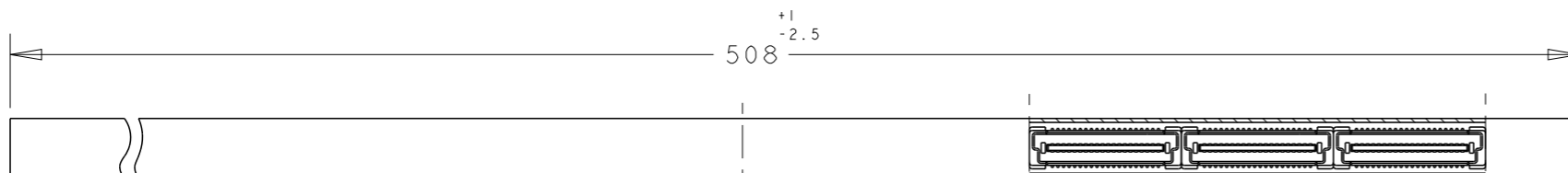
P/N SEE SHEET 2 AND 3 OF 3

RECOMMENDED P.C. BOARD LAYOUT

|   |  |                                |   |                 |
|---|--|--------------------------------|---|-----------------|
| THIS DRAWING IS A CONTROLLED DOCUMENT.  |  | DWN<br>FLORENCE TAN<br>30AUG04 |  TE Connectivity |                 |
| DIMENSIONS:<br>mm   |  | CHK<br>ERIC TNG                |   |                 |
| TOLERANCES UNLESS OTHERWISE SPECIFIED:  |  | APVD<br>SE LEONG               | NAME<br>PLUG ASSEMBLY 7H TYPE<br>(0.5 BOSS LENGTH)<br>FOR FH 0.8mm PITCH BTB CONNECTOR                |                 |
| 0 PLC ±<br>1 PLC ±0.30<br>2 PLC ±0.25<br>3 PLC ±0.20<br>4 PLC ±<br>ANGLES ±3° |  | PRODUCT SPEC<br>108-5390       | SIZE<br>A300779   |                 |
| MATERIAL  |  | APPLICATION SPEC<br>114-5254   | DRAWING NO<br>C-5179030   |                 |
| FINISH<br>SEE P/N TABLE   |  | WEIGHT<br>-                    | RESTRICTED TO<br>-  |                 |
|   |  | CUSTOMER DRAWING               | SCALE<br>4:1  | SHEET<br>1 OF 3 |
|   |  |                                |   | REV<br>B2       |

THIS DRAWING IS UNPUBLISHED. RELEASED FOR PUBLICATION 20  
 © COPYRIGHT 20 BY - ALL RIGHTS RESERVED.

| LOC | DIST | REVISIONS   |      |     |      |  |
|-----|------|-------------|------|-----|------|--|
| P   | LTR  | DESCRIPTION | DATE | DWN | APVD |  |
| DY  | -    | SEE HEET 1  |      |     |      |  |



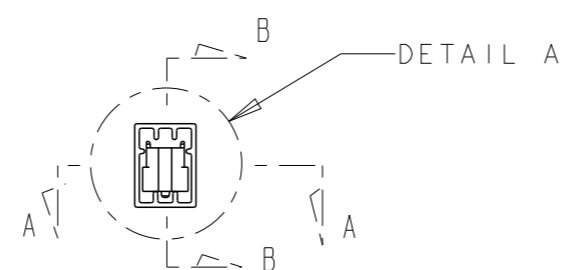
SECT A-A



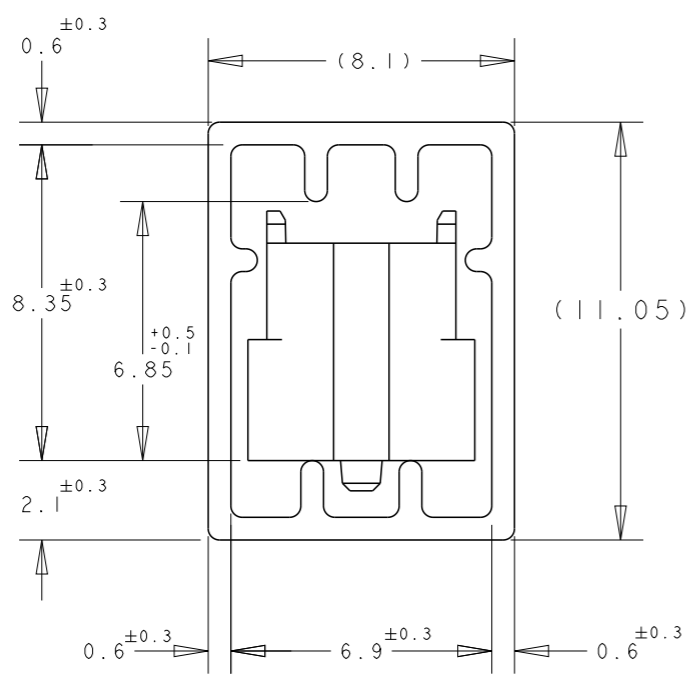
SECT B-B

PLUG ASS'Y (H=5mm, W/STEEL COVER),  
 P/N 9-912056-7 0.8mm BTB STACKING CONN

REFERENCE PICTURE OF TUBE PACK



DETAIL A



DETAIL "B"  
 (SCALE 5-1)

| CNT PLT   | FINISH  | AVAILABILITY  | QTY/TUBE  | C         | B         | A    | POS. | CONN P/N |       |
|-----------|---------|---------------|-----------|-----------|-----------|------|------|----------|-------|
| 15Au/Sn   | △       | NOT AVAILABLE | 5         | 84.2      | 85.8      | 79.2 | 200  | 4- -0    |       |
|           |         | AVAILABLE     | 6         | 76.2      | 77.8      | 71.2 | 180  | 3- -9    |       |
|           |         |               | 6         | 68.2      | 69.8      | 63.2 | 160  | 3- -8    |       |
|           |         | NOT AVAILABLE | 7         | 60.2      | 61.8      | 55.2 | 140  | 3- -6    |       |
|           |         |               | 9         | 52.2      | 53.8      | 47.2 | 120  | 3- -5    |       |
|           |         |               | 10        | 44.2      | 45.8      | 39.2 | 100  | 3- -4    |       |
|           |         |               | 12        | 36.2      | 37.8      | 31.2 | 80   | 3- -3    |       |
|           |         |               | 16        | 28.2      | 29.8      | 23.2 | 60   | 3- -2    |       |
|           |         |               | 22        | 20.2      | 21.8      | 15.2 | 40   | 3- -1    |       |
|           |         | 30Au/Sn       | △         | AVAILABLE | 5         | 84.2 | 85.8 | 79.2     | 200   |
| AVAILABLE | 6       |               |           | 76.2      | 77.8      | 71.2 | 180  | 1- -9    |       |
|           | 6       |               |           | 68.2      | 69.8      | 63.2 | 160  | 1- -8    |       |
| AVAILABLE | △       |               |           | 7         | 64.2      | 65.8 | 59.2 | 150      | 1- -7 |
|           | 7       |               |           | 60.2      | 61.8      | 55.2 | 140  | 1- -6    |       |
|           | 9       |               |           | 52.2      | 53.8      | 47.2 | 120  | 1- -5    |       |
|           | 10      |               |           | 44.2      | 45.8      | 39.2 | 100  | 1- -4    |       |
|           | 12      |               |           | 36.2      | 37.8      | 31.2 | 80   | 1- -3    |       |
|           | 16      |               |           | 28.2      | 29.8      | 23.2 | 60   | 1- -2    |       |
|           | 22      |               |           | 20.2      | 21.8      | 15.2 | 40   | 1- -1    |       |
|           | 08Au/Sn | △             | AVAILABLE | 5         | 84.2      | 85.8 | 79.2 | 200      | 1- -0 |
| AVAILABLE |         |               | 6         | 76.2      | 77.8      | 71.2 | 180  | -9       |       |
|           |         |               | 6         | 68.2      | 69.8      | 63.2 | 160  | -8       |       |
| AVAILABLE |         |               | △         | 7         | 64.2      | 65.8 | 59.2 | 150      | -7    |
|           |         |               | 7         | 60.2      | 61.8      | 55.2 | 140  | -6       |       |
|           |         |               | 9         | 52.2      | 53.8      | 47.2 | 120  | -5       |       |
|           |         |               | 10        | 44.2      | 45.8      | 39.2 | 100  | -4       |       |
|           |         |               | 12        | 36.2      | 37.8      | 31.2 | 80   | -3       |       |
|           | 16      | 28.2          | 29.8      | 23.2      | 60        | -2   |      |          |       |
| 22        | 20.2    | 21.8          | 15.2      | 40        | 5179030-1 |      |      |          |       |

THIS DRAWING IS A CONTROLLED DOCUMENT.

DWN FLORENCE TAN 30AUG04  
 CHK ERIC TNG  
 APVD SEIFONG  
 PRODUCT SPEC 108-5390  
 APPLICATION SPEC 114-5254  
 WEIGHT -

**STE** TE Connectivity

NAME PLUG ASSEMBLY 7H TYPE  
 (0.5 BOSS LENGTH)  
 FOR FH 0.8mm PITCH BTB CONNECTOR

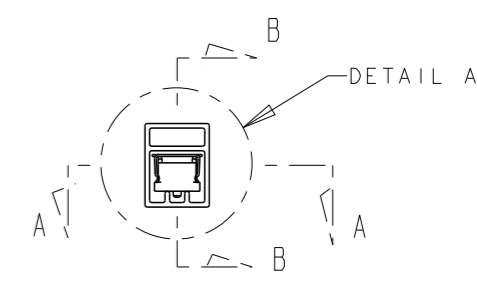
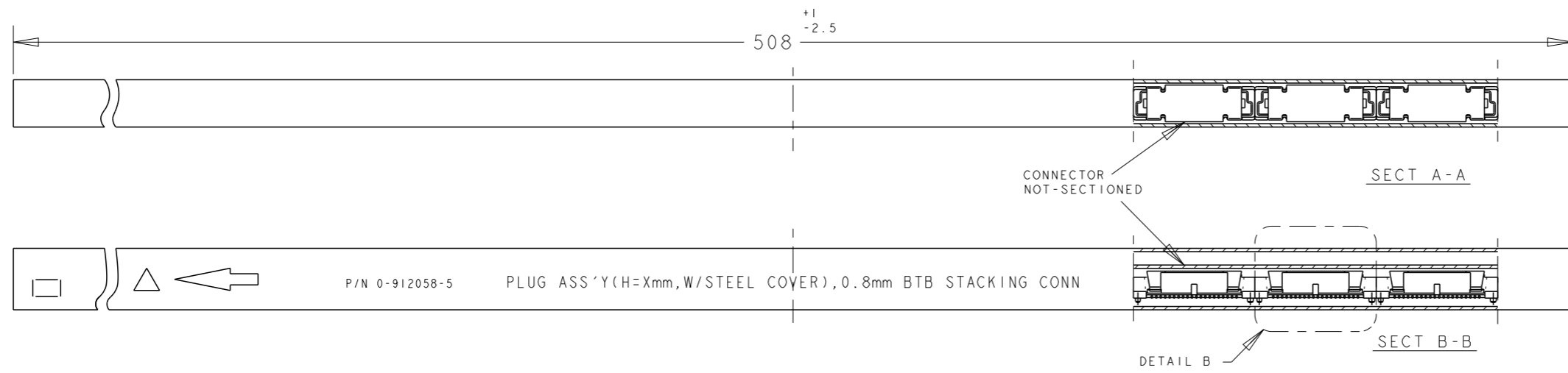
SIZE A300779 CAGE CODE G-5179030 DRAWING NO. RESTRICTED TO -

MATERIAL - FINISH SEE P/N TABLE

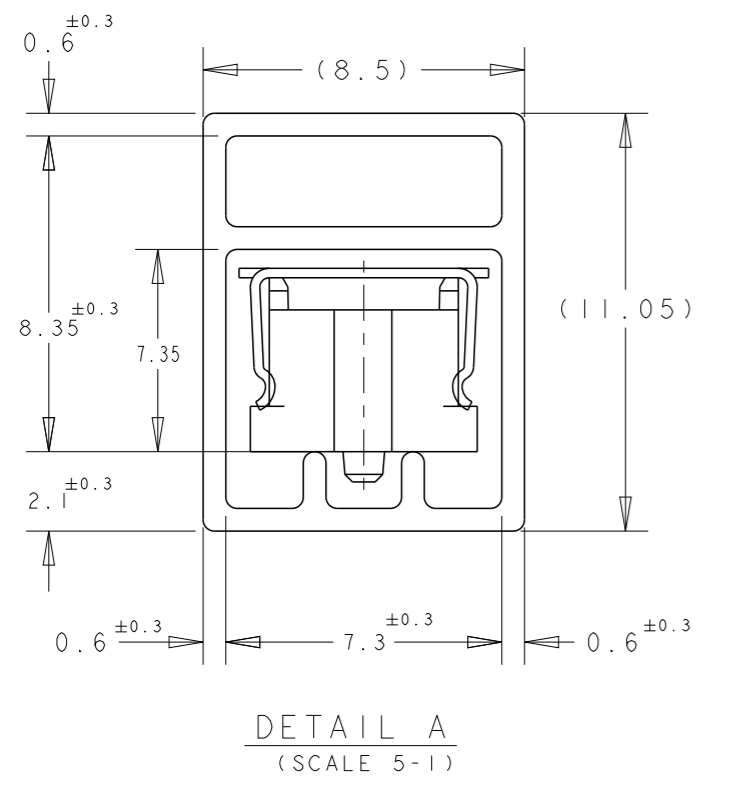
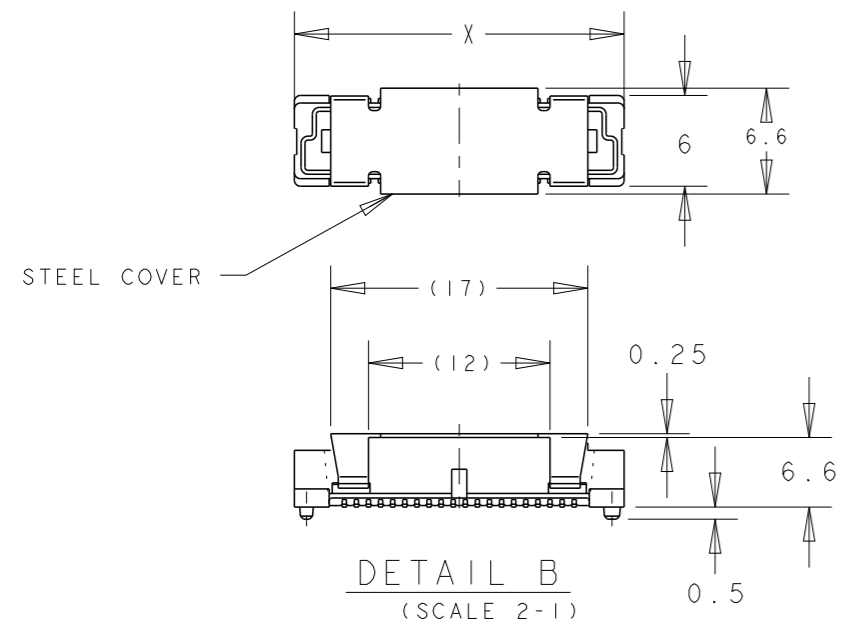
CUSTOMER DRAWING SCALE 4:1 SHEET 2 OF 3 REV B2

THIS DRAWING IS UNPUBLISHED. RELEASED FOR PUBLICATION 20  
 © COPYRIGHT 20 BY - ALL RIGHTS RESERVED.

| LOC | DIST | REVISIONS |     |             |      |     |      |
|-----|------|-----------|-----|-------------|------|-----|------|
| DY  | -    | P         | LTR | DESCRIPTION | DATE | DWN | APVD |
|     |      |           |     | SEE HEET 1  |      |     |      |



### PLUG TUBE ASSY WITH STEEL COVER FOR FH 0.8 B-T-B CONNECTOR



|                         |                  |           |             |      |          |    |    |
|-------------------------|------------------|-----------|-------------|------|----------|----|----|
| CNT PLT<br>30Au/Sn<br>5 | AVAILABLE        | 5         | 85.8        | 200  | 3-       | -0 |    |
|                         |                  | 6         | 77.8        | 180  | 2-       | -9 |    |
|                         |                  | 6         | 69.8        | 160  | 2-       | -8 |    |
|                         | WITH STEEL COVER | AVAILABLE | 7           | 65.8 | 150      | 2- | -7 |
|                         |                  |           | 7           | 61.8 | 140      | 2- | -6 |
|                         |                  |           | 9           | 53.8 | 120      | 2- | -5 |
|                         |                  |           | 10          | 45.8 | 100      | 2- | -4 |
|                         |                  |           | 12          | 37.8 | 80       | 2- | -3 |
|                         |                  |           | 16          | 29.8 | 60       | 2- | -2 |
| 22                      | 21.8             | 40        | 2-5179030-1 |      |          |    |    |
| FINISH/REMARKS          | AVAILABILITY     | QTY/TUBE  | X           | POS. | CONN P/N |    |    |

|   |  |                                |  |                 |           |
|---|--|--------------------------------|--|-----------------|-----------|
| THIS DRAWING IS A CONTROLLED DOCUMENT.  |  | DWN<br>FLORENCE TAN<br>30AUG04 | TE Connectivity  |                 |           |
| DIMENSIONS: mm  |  | CHK<br>ERIC TNG                |  |                 |           |
| TOLERANCES UNLESS OTHERWISE SPECIFIED:  |  | APVD<br>SE LEONG               | NAME<br>PLUG ASSEMBLY 7H TYPE<br>(0.5 BOSS LENGTH)<br>FOR FH 0.8mm PITCH BTB CONNECTOR |                 |           |
| 0 PLC ±<br>1 PLC ±0.30<br>2 PLC ±0.25<br>3 PLC ±0.20<br>4 PLC ±<br>ANGLES ±3° |  | PRODUCT SPEC<br>108-5390       | SIZE<br>A300779  |                 |           |
| MATERIAL  |  | APPLICATION SPEC<br>114-5254   | DRAWING NO<br>C-5179030  |                 |           |
| FINISH<br>SEE P/N TABLE   |  | WEIGHT<br>-                    | RESTRICTED TO<br>-   |                 |           |
|   |  | CUSTOMER DRAWING               | SCALE<br>4:1   | SHEET<br>3 OF 3 | REV<br>B2 |

PROJ NO. 593-312

Компания «Life Electronics» занимается поставками электронных компонентов импортного и отечественного производства от производителей и со складов крупных дистрибьюторов Европы, Америки и Азии.

С конца 2013 года компания активно расширяет линейку поставок компонентов по направлению коаксиальный кабель, кварцевые генераторы и конденсаторы (керамические, пленочные, электролитические), за счёт заключения дистрибьюторских договоров

Мы предлагаем:

- Конкурентоспособные цены и скидки постоянным клиентам.
- Специальные условия для постоянных клиентов.
- Подбор аналогов.
- Поставку компонентов в любых объемах, удовлетворяющих вашим потребностям.
- Приемлемые сроки поставки, возможна ускоренная поставка.
- Доставку товара в любую точку России и стран СНГ.
- Комплексную поставку.
- Работу по проектам и поставку образцов.
- Формирование склада под заказчика.
- Сертификаты соответствия на поставляемую продукцию (по желанию клиента).
- Тестирование поставляемой продукции.
- Поставку компонентов, требующих военную и космическую приемку.
- Входной контроль качества.
- Наличие сертификата ISO.

В составе нашей компании организован Конструкторский отдел, призванный помогать разработчикам, и инженерам.

Конструкторский отдел помогает осуществить:

- Регистрацию проекта у производителя компонентов.
- Техническую поддержку проекта.
- Защиту от снятия компонента с производства.
- Оценку стоимости проекта по компонентам.
- Изготовление тестовой платы монтаж и пусконаладочные работы.



Тел: +7 (812) 336 43 04 (многоканальный)  
Email: [org@lifeelectronics.ru](mailto:org@lifeelectronics.ru)