

# MAX6922/MAX6932/ MAX6933/MAX6934

# 27-, 28-, and 32-Output, 76V, Serial-Interfaced VFD Tube Drivers

## General Description

The MAX6922/MAX6932/MAX6933/MAX6934 multi-output, 76V, vacuum-fluorescent display (VFD) tube drivers that interface a VFD tube to a microcontroller or a VFD controller, such as the MAX6850–MAX6853. The MAX6922/MAX6934 have 32 outputs, while the MAX6932 has 27 outputs, and the MAX6933 has 28 outputs. All devices are also suitable for driving telecom relays.

Data is input using standard 4-wire serial interface (CLOCK, DATA, LOAD, BLANK) compatible with other VFD drivers and controllers.

For easy display control, the active-high BLANK input forces all driver outputs low, turning the display off, and automatically puts the IC into shutdown mode. Display intensity may also be controlled by directly pulse-width modulating the BLANK input.

The MAX6922/MAX6932/MAX6934 have a serial interface data output, DOUT, allowing any number of devices to be cascaded on the same serial interface.

The MAX6932/MAX6933/MAX6934 have a negative supply voltage input, V<sub>SS</sub>, allowing the drivers' output swing to be made bipolar to simplify filament biasing in many applications.

The MAX6922 is available in a 44-pin PLCC package, the MAX6932 and MAX6933 are available in 36-pin SSOP packages, and the MAX6934 is available in 44-pin PLCC and TQFN packages.

Maxim also offers a 12-output VFD driver (MAX6920) and 20-output VFD drivers (MAX6921/MAX6931).

## Applications

- White Goods
- Gaming Machines
- Avionics
- Instrumentation
- Industrial Weighing
- Security
- Telecom
- VFD Modules
- Industrial Control

## Selector Guide

| PART    | NO. OF OUTPUTS | BIPOLAR OUTPUT SWING | DOUT FOR CASCADING |
|---------|----------------|----------------------|--------------------|
| MAX6922 | 32             | No                   | Yes                |
| MAX6932 | 27             | Yes                  | Yes                |
| MAX6933 | 28             | Yes                  | No                 |
| MAX6934 | 32             | Yes                  | Yes                |

Pin Configurations appear at end of data sheet.

## Features

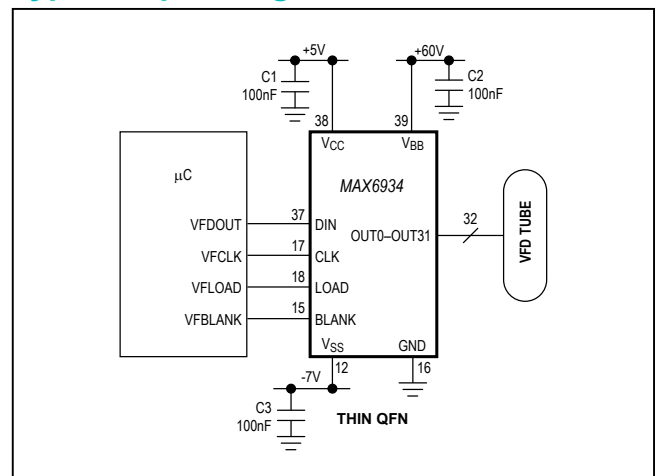
- 5MHz Industry-Standard 4-Wire Serial Interface
- 3V to 5.5V Logic Supply Range
- 8V to 76V Grid/Anode Supply Range
- -11V to 0V Filament Bias Supply (MAX6932/MAX6933/MAX6934 Only)
- Push-Pull CMOS High-Voltage Outputs
- Outputs can Source 40mA, Sink 4mA Continuously
- Outputs can Source 75mA Repetitive Pulses
- Outputs can Be Paralleled for Higher Current Drive
- Any Output can Be Used as a Grid or an Anode Driver
- BLANK Input Simplifies PWM Intensity Control
- -40°C to +125°C Temperature Range as Standard

## Ordering Information

| PART       | TEMP RANGE      | PIN-PACKAGE |
|------------|-----------------|-------------|
| MAX6922AQH | -40°C to +125°C | 44 PLCC     |
| MAX6932AAX | -40°C to +125°C | 36 SSOP     |
| MAX6933AAX | -40°C to +125°C | 36 SSOP     |
| MAX6934AQH | -40°C to +125°C | 44 PLCC     |
| MAX6934ATH | -40°C to +125°C | 44 TQFN-EP* |

\*EP = Exposed pad.

## Typical Operating Circuit



### Absolute Maximum Ratings

(Voltage with respect to GND.)

|  |   |
|--|---|
| V <sub>BB</sub> .....  | -0.3V to +80V   |
| V <sub>CC</sub> .....  | -0.3V to +6V  |
| V <sub>SS</sub> (MAX6932/MAX6933/MAX6934 only) .....                 | -12V to +0.3V   |
| V <sub>BB</sub> - V <sub>SS</sub> (MAX6932/MAX6933/MAX6934 only) ... | -0.3V to +80V   |
| OUT_ (MAX6922 only).....   | (GND - -0.3V) to (V <sub>BB</sub> + 0.3V)             |
| OUT_ (MAX6932/MAX6933/MAX6934 only) .....                            | (V <sub>SS</sub> - -0.3V) to (V <sub>BB</sub> + 0.3V) |
| All Other Pins .....   | -0.3V to (V <sub>CC</sub> + 0.3V)                     |
| OUT_ Continuous Source Current .....                                 | -45mA   |
| OUT_ Pulsed (1ms max, 1/4 max duty) Source Current ....              | -80mA   |
| Total OUT_ Continuous Source Current .....                           | -840mA  |
| Total OUT_ Continuous Sink Current .....                             | 140mA   |
| Total OUT_ Pulsed (1ms max, 1/4 max duty) Source Current .....       | -960mA  |

|  |                 |
|--|-----------------|
| OUT_ Sink Current .....  | 15mA            |
| CLK, DIN, LOAD, BLANK, DOUT Current .....                                | ±10mA           |
| Continuous Power Dissipation (T <sub>A</sub> = +70°C)                    |                 |
| 36-Pin SSOP (derate 11.8mW/°C over +70°C) .....                          | 941mW           |
| 44-Pin Thin QFN (derate 27mW/°C over +70°C) .....                        | 2165mW          |
| 44-Pin PLCC (derate 13.3mW/°C over +70°C) .....                          | 1067mW          |
| Operating Temperature Range (T <sub>MIN</sub> to T <sub>MAX</sub> )..... | -40°C to +125°C |
| Junction Temperature.....  | +150°C          |
| Storage Temperature Range .....  | -65°C to +150°C |
| Lead Temperature (soldering, 10s) .....                                  | +300°C          |

Stresses beyond those listed under "Absolute Maximum Ratings" may cause permanent damage to the device. These are stress ratings only, and functional operation of the device at these or any other conditions beyond those indicated in the operational sections of the specifications is not implied. Exposure to absolute maximum rating conditions for extended periods may affect device reliability.

### Electrical Characteristics

(Typical Operating Circuit, V<sub>BB</sub> = 8V to 76V, V<sub>CC</sub> = 3V to 5.5V, V<sub>SS</sub> = -11V to 0V, V<sub>BB</sub> - V<sub>SS</sub> ≤ 76V, T<sub>A</sub> = T<sub>MIN</sub> to T<sub>MAX</sub>, unless otherwise noted.) (Note 1)

| PARAMETER  | SYMBOL                            | CONDITIONS   | MIN                              | TYP                   | MAX   | UNITS |
|--|-----------------------------------|--|----------------------------------|-----------------------|-------|-------|
| Logic Supply Voltage   | V <sub>CC</sub>                   |  | 3                                |                       | 5.5   | V     |
| Tube Supply Voltage  | V <sub>BB</sub>                   |  | 8                                |                       | 76    | V     |
| Bias Supply Voltage (MAX6932/MAX6933/MAX6934 Only)           | V <sub>SS</sub>                   |  | -11                              |                       | 0     | V     |
| Total Supply Voltage (MAX6932/MAX6933/MAX6934 Only)          | V <sub>BB</sub> - V <sub>SS</sub> |  |                                  |                       | 76    | V     |
| Logic Supply Operating Current                               | I <sub>CC</sub>                   | All outputs OUT_ low, CLK = idle                     | T <sub>A</sub> = +25°C           | 81                    | 105   | μA    |
|  |                                   |  | T <sub>A</sub> = -40°C to +125°C |                       | 125   |       |
|  |                                   | All outputs OUT_ high, CLK = idle                    | T <sub>A</sub> = +25°C           | 813                   | 950   |       |
|  |                                   |  | T <sub>A</sub> = -40°C to +125°C |                       | 1000  |       |
| Tube Supply Operating Current                                | I <sub>BB</sub>                   | All outputs OUT_ low                                 | T <sub>A</sub> = +25°C           | 2.0                   | 2.5   | mA    |
|  |                                   |  | T <sub>A</sub> = -40°C to +125°C |                       | 3     |       |
|  |                                   | All outputs OUT_ high                                | T <sub>A</sub> = +25°C           | 1.3                   | 1.75  |       |
|  |                                   |  | T <sub>A</sub> = -40°C to +125°C |                       | 2.0   |       |
| Bias Supply Operating Current (MAX6932/MAX6933/MAX6934 Only) | I <sub>SS</sub>                   | All outputs OUT_ low                                 | T <sub>A</sub> = +25°C           | -1                    | -0.65 | mA    |
|  |                                   |  | T <sub>A</sub> = -40°C to +125°C |                       | -1.2  |       |
|  |                                   | All outputs OUT_ high                                | T <sub>A</sub> = +25°C           | -1.7                  | -1.5  |       |
|  |                                   |  | T <sub>A</sub> = -40°C to +125°C |                       | -1.8  |       |
| High-Voltage OUT_  | V <sub>H</sub>                    | V <sub>BB</sub> ≥ 15V, I <sub>OUT</sub> = -25mA      | T <sub>A</sub> = +25°C           | V <sub>BB</sub> - 1.1 |       | V     |
|  |                                   |  | T <sub>A</sub> = -40°C to +85°C  | V <sub>BB</sub> - 2   |       |       |
|  |                                   |  | T <sub>A</sub> = -40°C to +125°C | V <sub>BB</sub> - 2.5 |       |       |
|  |                                   | V <sub>BB</sub> ≥ 15V, I <sub>OUT</sub> = -40mA      | T <sub>A</sub> = -40°C to +85°C  | V <sub>BB</sub> - 3.5 |       |       |
|  |                                   |  | T <sub>A</sub> = -40°C to +125°C | V <sub>BB</sub> - 4.0 |       |       |
|  |                                   |  | T <sub>A</sub> = +25°C           | V <sub>BB</sub> - 1.2 |       |       |
|  |                                   | 8V < V <sub>BB</sub> < 15V, I <sub>OUT</sub> = -25mA | T <sub>A</sub> = -40°C to +85°C  | V <sub>BB</sub> - 2.5 |       |       |
|  |                                   |  | T <sub>A</sub> = -40°C to +125°C | V <sub>BB</sub> - 3.0 |       |       |
|  |                                   |  | T <sub>A</sub> = +25°C           | V <sub>BB</sub> - 1.2 |       |       |

**Electrical Characteristics (continued)**

(Typical Operating Circuit,  $V_{BB} = 8V$  to  $76V$ ,  $V_{CC} = 3V$  to  $5.5V$ ,  $V_{SS} = -11V$  to  $0V$ ,  $V_{BB} - V_{SS} \leq 76V$ ,  $T_A = T_{MIN}$  to  $T_{MAX}$ , unless otherwise noted.) (Note 1)

| PARAMETER   | SYMBOL           | CONDITIONS   |                                       | MIN                 | TYP             | MAX                 | UNITS   |
|---|------------------|--|---------------------------------------|---------------------|-----------------|---------------------|---------|
| Low-Voltage OUT_<br>(MAX6932 Only)                    | $V_L$            | $V_{BB} \geq 15V$ ,<br>$I_{OUT} = 1mA$             | $T_A = +25^\circ C$                   |                     | 0.75            | 1.2                 | V       |
|   |                  |  | $T_A = -40^\circ C$ to $+85^\circ C$  |                     |                 | 1.5                 |         |
|   |                  |  | $T_A = -40^\circ C$ to $+125^\circ C$ |                     |                 | 2.1                 |         |
|   |                  | $8V < V_{BB} < 15V$ ,<br>$I_{OUT} = 1mA$           | $T_A = +25^\circ C$                   |                     | 0.8             | 1.3                 |         |
|   |                  |  | $T_A = -40^\circ C$ to $+85^\circ C$  |                     |                 | 1.7                 |         |
|   |                  |  | $T_A = -40^\circ C$ to $+125^\circ C$ |                     |                 | 2.2                 |         |
| Low-Voltage OUT_<br>(MAX6932/MAX6933/MAX6934<br>Only) | $V_L$            | $V_{BB} \geq 15V$ ,<br>$I_{OUT} = 1mA$             | $T_A = +25^\circ C$                   |                     | $V_{SS} + 0.75$ | $V_{SS} + 1.2$      | V       |
|   |                  |  | $T_A = -40^\circ C$ to $+85^\circ C$  |                     |                 | $V_{SS} + 1.5$      |         |
|   |                  |  | $T_A = -40^\circ C$ to $+125^\circ C$ |                     |                 | $V_{SS} + 2.1$      |         |
|   |                  | $8V < V_{BB} < 15V$ ,<br>$I_{OUT} = 1mA$           | $T_A = +25^\circ C$                   |                     | $V_{SS} + 0.8$  | $V_{SS} + 1.3$      |         |
|   |                  |  | $T_A = -40^\circ C$ to $+85^\circ C$  |                     |                 | $V_{SS} + 1.7$      |         |
|   |                  |  | $T_A = -40^\circ C$ to $+125^\circ C$ |                     |                 | $V_{SS} + 2.2$      |         |
| Rise Time OUT_ (20% to 80%)                           | $t_R$            | $V_{BB} = 60V$ , $C_L = 50pF$ , $R_L = 2.3k\Omega$ |                                       |                     | 0.9             | 2.5                 | $\mu s$ |
| Fall Time OUT_ (80% to 20%)                           | $t_F$            | $V_{BB} = 60V$ , $C_L = 50pF$ , $R_L = 2.3k\Omega$ |                                       |                     | 0.6             | 1.5                 | $\mu s$ |
| <b>SERIAL INTERFACE TIMING CHARACTERISTICS</b>        |                  |  |                                       |                     |                 |                     |         |
| LOAD Rising to OUT_ Falling Delay                     |                  | (Notes 2, 3)                                       |                                       |                     | 0.9             | 3                   | $\mu s$ |
| LOAD Rising to OUT_ Rising Delay                      |                  | (Notes 2, 3)                                       |                                       |                     | 1.2             | 3                   | $\mu s$ |
| BLANK Rising to OUT_ Falling Delay                    |                  | (Notes 2, 3)                                       |                                       |                     | 0.9             | 3                   | $\mu s$ |
| BLANK Falling to OUT_ Rising Delay                    |                  | (Notes 2, 3)                                       |                                       |                     | 1.3             | 3                   | $\mu s$ |
| Input Leakage Current CLK, DIN, LOAD, BLANK           | $I_{IH}, I_{IL}$ |  |                                       |                     | 0.05            | 10                  | $\mu A$ |
| Logic-High Input Voltage CLK, DIN, LOAD, BLANK        | $V_{IH}$         |  |                                       | $0.8 \times V_{CC}$ |                 |                     | V       |
| Logic-Low Input Voltage CLK, DIN, LOAD, BLANK         | $V_{IL}$         |  |                                       |                     |                 | $0.3 \times V_{CC}$ | V       |
| Hysteresis Voltage DIN, CLK, LOAD, BLANK              | $\Delta V_I$     |  |                                       |                     | 0.6             |                     | V       |
| High-Voltage DOUT                                     | $V_{OH}$         | $I_{SOURCE} = -1.0mA$                              |                                       | $V_{CC} - 0.5$      |                 |                     | V       |
| Low-Voltage DOUT                                      | $V_{OL}$         | $I_{SINK} = 1.0mA$                                 |                                       |                     |                 | 0.5                 | V       |

### Electrical Characteristics (continued)

(Typical Operating Circuit,  $V_{BB} = 8V$  to  $76V$ ,  $V_{CC} = 3V$  to  $5.5V$ ,  $V_{SS} = -11V$  to  $0V$ ,  $V_{BB} - V_{SS} \leq 76V$ ,  $T_A = T_{MIN}$  to  $T_{MAX}$ , unless otherwise noted.) (Note 1)

| PARAMETER                  | SYMBOL    | CONDITIONS                    |              | MIN | TYP | MAX | UNITS |
|----------------------------|-----------|-------------------------------|--------------|-----|-----|-----|-------|
| Rise and Fall Time DOUT    |           | $C_{DOUT} = 10pF$<br>(Note 2) | 3V to 4.5V   |     | 80  | 130 | ns    |
|                            |           |                               | 4.5V to 5.5V |     | 50  | 80  |       |
| CLK Clock Period           | $t_{CP}$  |                               |              | 200 |     |     | ns    |
| CLK Pulse-Width High       | $t_{CH}$  |                               |              | 90  |     |     | ns    |
| CLK Pulse-Width Low        | $t_{CL}$  |                               |              | 90  |     |     | ns    |
| CLK Rise to LOAD Rise Hold | $t_{CSH}$ | (Note 2)                      |              | 100 |     |     | ns    |
| DIN Setup Time             | $t_{DS}$  |                               |              | 5   |     |     | ns    |
| DIN Hold Time              | $t_{DH}$  | 3.0V to 4.5V                  |              | 20  |     |     | ns    |
|                            |           | 4.5V to 5.5V                  |              | 15  |     |     |       |
| DOUT Propagation Delay     | $t_{DO}$  | $C_{DOUT} = 10pF$             | 3.0V to 4.5V | 25  | 120 | 240 | ns    |
|                            |           |                               | 4.5V to 5.5V | 20  | 75  | 150 |       |
| LOAD Pulse High            | $t_{CSW}$ |                               |              | 60  |     |     | ns    |

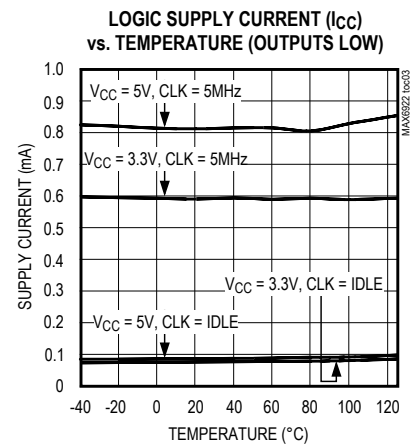
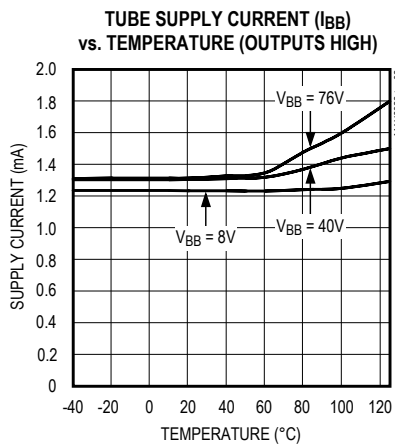
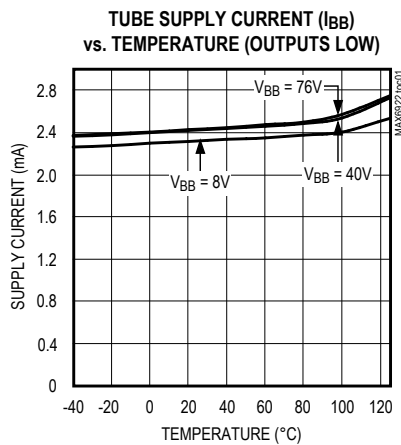
**Note 1:** All parameters are tested at  $T_A = +25^\circ C$ . Specifications over temperature are guaranteed by design.

**Note 2:** Guaranteed by design.

**Note 3:** Delay measured from control edge to when output OUT\_ changes by 1V.

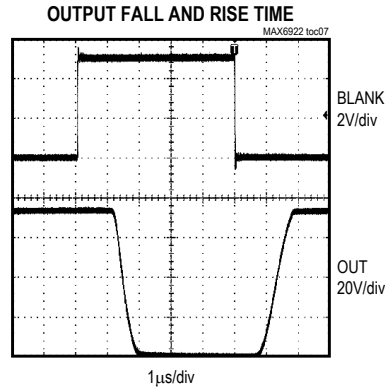
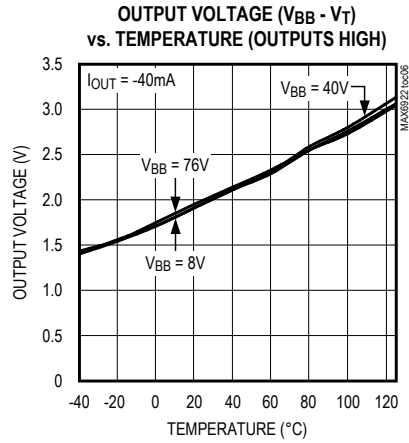
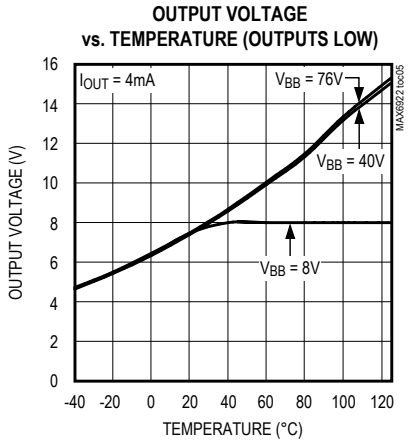
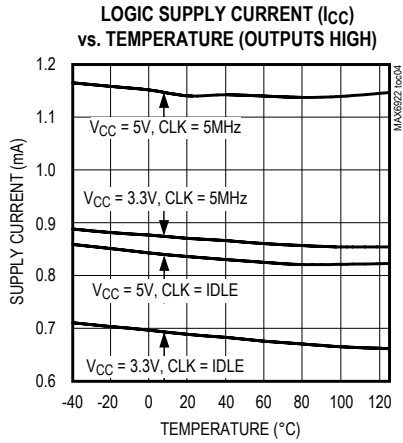
### Typical Operating Characteristics

( $V_{CC} = 5.0V$ ,  $V_{BB} = 76V$ , and  $T_A = +25^\circ C$ , unless otherwise noted.)



**Typical Operating Characteristics (continued)**

( $V_{CC} = 5.0V$ ,  $V_{BB} = 76V$ , and  $T_A = +25^\circ C$ , unless otherwise noted.)



### Pin Description

| PIN  |                             |  | NAME                    | FUNCTION   |
|--|-----------------------------|--|-------------------------|--|
| MAX6922/<br>MAX6934<br>PLCC                        | MAX6932/<br>MAX6933<br>SSOP | MAX6934<br>TQFN                                      |                         |  |
| 1  | 1                           | 39   | V <sub>BB</sub>         | VFD Supply Voltage   |
| 2  | 2                           | 40   | DOUT<br>(MAX6932)       | Serial-Data Output. Data is clocked out of the internal shift register to DOUT on CLK's falling edge. For the MAX6933 only—VFD anode and grid driver.  |
|  | 2                           |  | (OUT27)<br>(MAX6933)    | (OUT27 is a push-pull output swinging from V <sub>BB</sub> to V <sub>SS</sub> .)   |
| 3, 4, 5, 7–<br>17, 19, 20,<br>25, 26, 27,<br>30–42 | —                           | 1–11, 13,<br>14, 19, 20,<br>21, 24–36,<br>41, 42, 43 | OUT0 to<br>OUT31        | VFD Anode and Grid Drivers. OUT_ are push-pull outputs swinging from V <sub>BB</sub> to GND for the MAX6922 and from V <sub>BB</sub> to V <sub>SS</sub> for the MAX6934.                                       |
| —  | 3–13, 15,<br>16, 21–34      | —  | OUT0 to<br>OUT26        | VFD Anode and Grid Drivers. OUT_ are push-pull outputs swinging from V <sub>BB</sub> to V <sub>SS</sub> .  |
| 6, 28, 29  | —                           | 22, 23, 44   | N.C.                    | No Connection. Not internally connected.   |
| 18   | —                           | —  | N.C. (V <sub>SS</sub> ) | For the MAX6922—No Connection. Not internally connected. For the MAX6934—bias supply voltage.  |
| —  | 14                          | 12   | V <sub>SS</sub>         | Bias Supply Voltage  |
| 21   | 17                          | 15   | BLANK                   | Blanking Input. High forces outputs OUT_ low without altering the contents of the output latches. Low enables outputs OUT_ to follow the state of the output latches.  |
| 22   | 18                          | 16   | GND                     | Ground   |
| 23   | 19                          | 17   | CLK                     | Serial-Clock Input. Data is loaded into the internal shift register on CLK's rising edge. On CLK's falling edge, data is clocked out of DOUT.  |
| 24   | 20                          | 18   | LOAD                    | Load Input. Data is loaded transparently from the internal shift register to the output latch while LOAD is high. Data is latched into the output latch on LOAD's rising edge, and retained while LOAD is low. |
| 43   | 35                          | 37   | DIN                     | Serial-Data Input. Data is loaded into the internal shift register on CLK's rising edge.   |
| 44   | 36                          | 38   | V <sub>CC</sub>         | Logic Supply Voltage   |
| —  | —                           | EP   | EP                      | Exposed Pad. Connect to a large ground plane to maximize thermal performance.  |

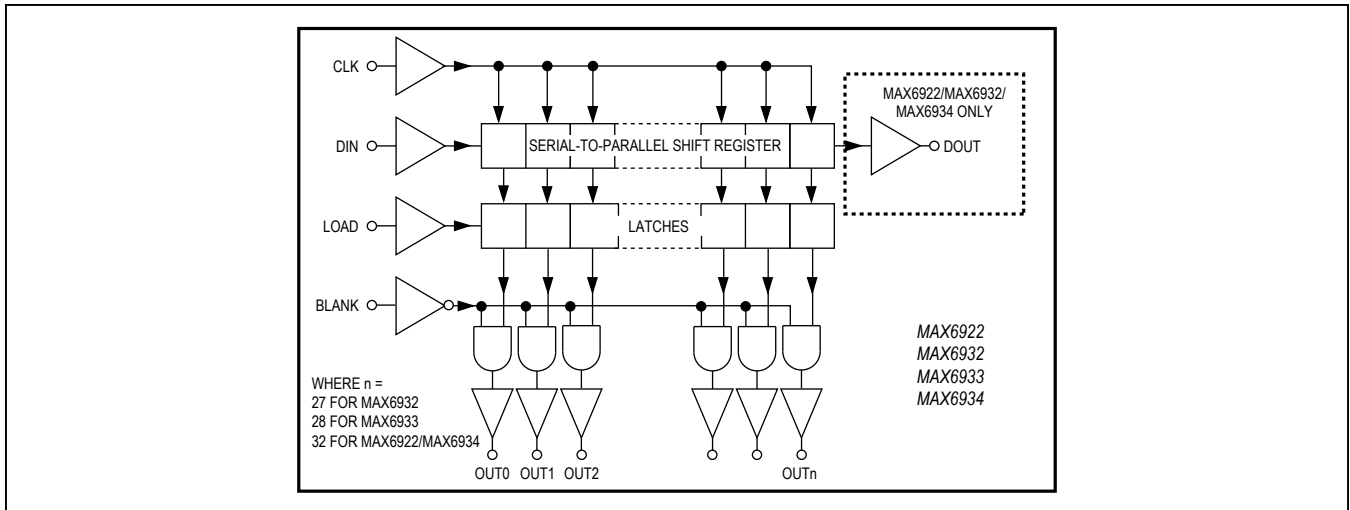


Figure 1. MAX6922/MAX6932/MAX6933/MAX6934 Functional Diagram

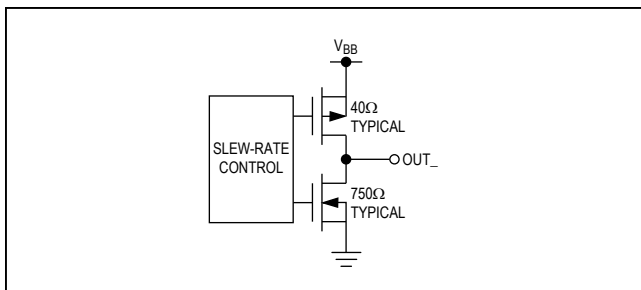


Figure 2. MAX6922 CMOS Output Driver Structure

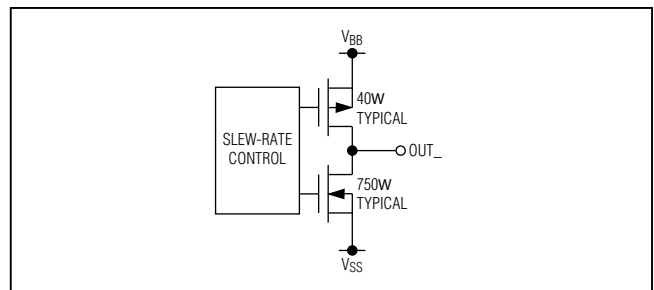


Figure 3. MAX6932/MAX6933/MAX6934 CMOS Output Driver Structure

## Detailed Description

The MAX6922/MAX6932/MAX6933/MAX6934 are VFD tube drivers comprising a 4-wire serial interface driving high-voltage rail-to-rail output ports. The driver is suitable for both static and multiplexed displays.

The output ports feature high current-sourcing capability to drive current into grids and anodes of static or multiplex VFDs. The ports also have active current sinking for fast discharge of capacitive display electrodes in multiplexing applications.

The 4-wire serial interface comprises a shift register and transparent latch with 32 bits for the MAX6922/MAX6934, 28 bits for the MAX6933, and 27 bits for the MAX6932. The shift register is written through a clock input CLK and a data input DIN. For the MAX6922/MAX6932/MAX6934, the data propagates to a data output DOUT. The data output allows multiple drivers to be cascaded and operated together. The output latch is transparent to the shift register outputs when LOAD is high, and latches the current state on the falling edge of LOAD.

Each driver output is a slew-rate controlled CMOS push-pull switch driving between  $V_{BB}$  and GND (MAX6922) or  $V_{BB}$  and  $V_{SS}$  (MAX6932/MAX6933/ MAX6934). The output rise time is always slower than the output fall time to avoid shoot-through currents during output transitions. The output slew rates are slow enough to minimize EMI, yet are fast enough so as not to impact the typical 100 $\mu$ s digit multiplex period and affect the display intensity.

### Initial Power-Up and Operation

An internal reset circuit clears the internal registers on power-up. All outputs and the interface output DOUT (MAX6922/MAX6932/MAX6934 only) initialize low regardless of the initial logic levels of the CLK, DIN, BLANK, and LOAD inputs.

### 4-Wire Serial Interface

These driver ICs use a 4-wire serial interface with three inputs (DIN, CLK, LOAD) and a data output (DOUT, MAX6922/MAX6932/MAX6934 only). This interface is used to write data to the ICs (Figure 4) (Table 1). The serial interface data word length is 32 bits for the MAX6922/MAX6934, 27 bits for the MAX6932, and 28 bits for the MAX6933.

The functions of the four serial interface pins are:

- CLK input is the interface clock, which shifts data into the shift register on its rising edge.
- LOAD input passes data from the shift register to the output latch when LOAD is high (transparent latch), and latches the data on LOAD's falling edge.
- DIN is the interface data input, and must be stable when it is sampled on the rising edge of CLK.

- DOUT is the interface data output, which shifts data out from the shift register on the rising edge of CLK. Data at DIN is propagated through the shift register and appears at DOUT ( $n$  CLK cycles +  $t_{DO}$ ) later, where  $n$  is the number of drivers in the IC.

A fifth input, BLANK, can be taken high to force the outputs low, without altering the contents of the output latches. When the BLANK input is low, the outputs follow the state of the output latches. A common use of the BLANK input is PWM intensity control.

The BLANK input's function is independent of the operation of the serial interface. Data can be shifted into the serial interface shift register and latched regardless of the state of BLANK.

### Writing Device Registers Using the 4-Wire Serial Interface

The MAX6922/MAX6932/MAX6933/MAX6934 are normally written using the following sequence:

- 1) Take CLK low.
- 2) Clock  $n$  bits of data in order  $D_{n-1}$  first to  $D_0$  last into DIN, observing the data setup and hold times.
- 3) Load the  $n$  output latches with a falling edge on LOAD, where  $n$  is 27 for the MAX6932, 28 for the MAX6933, and 32 for the MAX6922 and MAX6934.

LOAD may be high or low during a transmission. If LOAD is high, then the data shifted into the shift register at DIN appears at the  $OUT_0$  to  $OUT_{n-1}$  outputs.

CLK and DIN may be used to transmit data to other peripherals. Activity on CLK always shifts data into the shift register. However, the output latches only update on the rising edge of LOAD, and the last  $n$  bits of data

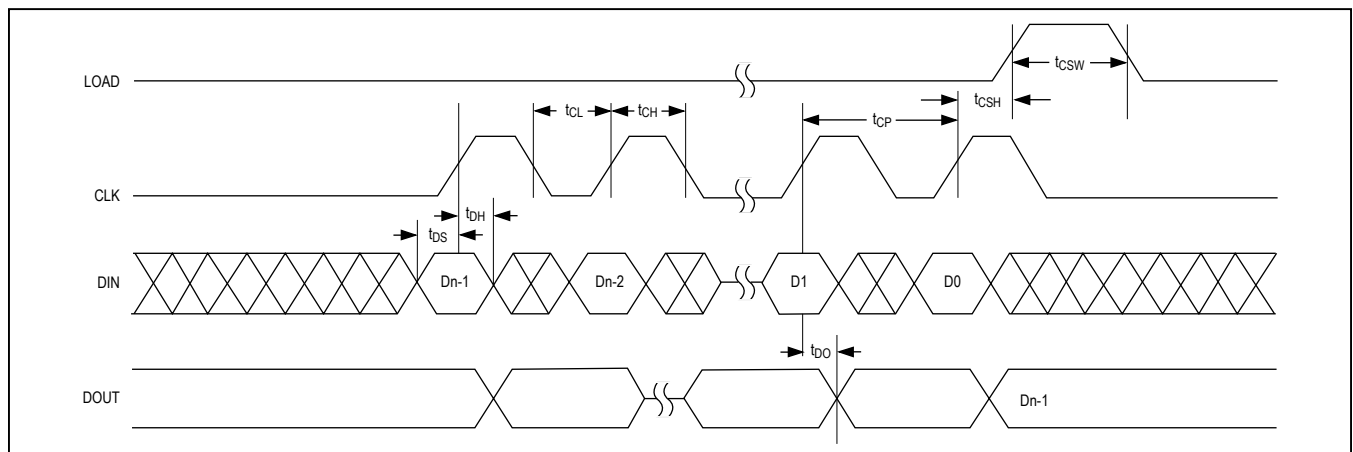


Figure 4. 4-Wire Serial Interface Timing Diagram



**Table 1. 4-Wire Serial Interface Truth Table**

| SERIAL DATA INPUT DIN | CLOCK INPUT CLK | SHIFT REGISTER CONTENTS |    |    |     |      |      | LOAD INPUT LOAD | LATCH CONTENTS |    |    |     |      |      | BLANKING INPUT BLANK | OUTPUT CONTENTS |    |    |     |      |      |
|-----------------------|-----------------|-------------------------|----|----|-----|------|------|-----------------|----------------|----|----|-----|------|------|----------------------|-----------------|----|----|-----|------|------|
|                       |                 | D0                      | D1 | D2 | ... | Dn-2 | Dn-1 |                 | D0             | D1 | D2 | ... | Dn-2 | Dn-1 |                      | D0              | D1 | D2 | ... | Dn-2 | Dn-1 |
| H                     |                 | H                       | R0 | R1 | ... | Rn-2 | Rn-1 |                 |                |    |    |     |      |      |                      |                 |    |    |     |      |      |
| L                     |                 | L                       | R0 | R1 | ... | Rn-2 | Rn-1 |                 |                |    |    |     |      |      |                      |                 |    |    |     |      |      |
| X                     |                 | R0                      | R1 | R2 | ... | Rn-1 | Rn   |                 |                |    |    |     |      |      |                      |                 |    |    |     |      |      |
|                       |                 | X                       | X  | X  | ... | X    | X    | L               | R0             | R1 | R2 | ... | Rn-1 | Rn   |                      |                 |    |    |     |      |      |
|                       |                 | P0                      | P1 | P2 | ... | Pn-1 | Pn   | H               | P0             | P1 | P2 | ... | Pn-1 | Pn   | L                    | P0              | P1 | P2 | ... | Pn-1 | Pn   |
|                       |                 |                         |    |    |     |      |      |                 | X              | X  | X  | ... | X    | X    | H                    | L               | L  | L  | ... | L    | L    |

L = Low logic level.  
H = High logic level.  
X = Don't care.  
P = Present state (shift register).  
R = Previous state (latched).

clocked in are loaded. Therefore, multiple devices can share CLK and DIN, as long as they have unique LOAD controls.

**Determining Driver Output Voltage Drop**

The outputs are CMOS drivers, and have a resistive characteristic. The typical and maximum sink and source output resistances can be calculated from the V<sub>H</sub> and V<sub>L</sub> electrical characteristics. Use this calculated resistance to determine the output voltage drop at different output currents.

**Output Current Ratings**

The continuous current-source capability is 40mA per output. Outputs may drive up to 75mA as a repetitive peak current, subject to the on-time (output high) being no longer than 1ms, and the duty cycle being such that the output power dissipation is no more than the dissipation for the continuous case. The repetitive peak rating allows outputs to drive a higher current in multiplex grid driver applications, where only one grid is on at a time, and the multiplex time per grid is no more than 1ms.

Since dissipation is proportional to current squared, the maximum current that can be delivered for a given multiplex ratio is given by:

$$I_{PEAK} = (\text{grids} \times 1600)^{1/2} \text{ mA}$$

where grids is the number of grids in a multiplexed display.

This means that a duplex application (two grids) can use a repetitive peak current of 56.5mA, a triplex (three grids) application can use a repetitive peak current of 69.2mA, and higher multiplex ratios are limited to 75mA.

**Paralleling Outputs**

Any number of outputs within the same package may be paralleled in order to raise the current drive or reduce the output resistance. Only parallel outputs directly (by shorting outputs together) if the interface control can be guaranteed to set the outputs to the same level. Although the sink output is relatively weak (typically 750Ω), that resistance is low enough to dissipate 530mW when shorted to an opposite level output at a V<sub>BB</sub> voltage of only 20V. A safe way to parallel outputs is to use diodes to prevent the outputs from sinking current (Figure 5). Because the diodes also stop the outputs from sinking current from the VFD tube, an external discharge resistor, R, is required. For static tubes, R can be a large value such as 100kΩ. For multiplexed tubes, the value of the resistor can be determined by the load capacitance and timing

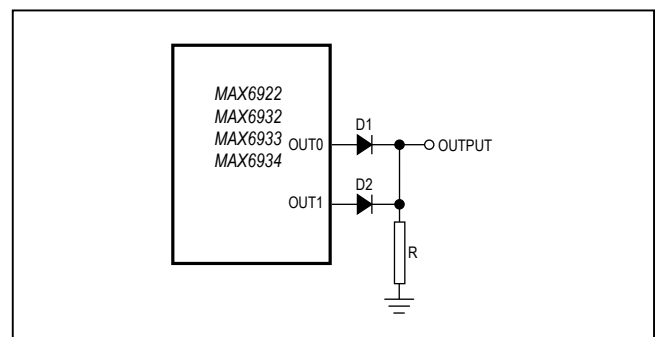


Figure 5. Paralleling Outputs

characteristics required. Resistor R discharges tube capacitance C to 10% of the initial voltage in  $2.3 \times RC$  seconds. So, for example, a  $15k\Omega$  value for R discharges 100pF tube grid or anode from 40V to 4V in  $3.5\mu s$ , but draws an additional 2.7mA from the driver when either output is high.

### Power Dissipation

Take care to ensure that the maximum package dissipation ratings for the chosen package are not exceeded. Over-dissipation is unlikely to be an issue when driving static tubes, but the peak currents are usually higher for multiplexed tubes. When using multiple driver devices, try to share the average dissipation evenly between the drivers.

Determine the power dissipation ( $P_D$ ) for the MAX6922/MAX6932/MAX6933/MAX6934 for static tube drivers with the following equation:

$$P_D = (V_{CC} \times I_{CC}) + (V_{BB} \times I_{BB}) + ((V_{BB} - V_H) \times I_{ANODE} \times A)$$

where:

A = number of anodes driven (maximum of 32 with the MAX6922/MAX6934).

$I_{ANODE}$  = maximum anode current.

$(V_{BB} - V_H)$  is the output voltage drop at the given maximum anode current  $I_{OUT}$ .

A static tube dissipation example follows:

$$V_{CC} = 5V \pm 5\%, V_{BB} = 10V \text{ to } 18V, A = 32, I_{OUT} = 2mA$$

$$P_D = (5.25V \times 1.5mA) + (18V \times 2.2mA) + ((2.5V \times 2mA/25mA) \times 2mA \times 32) = 60mW$$

Determine the power dissipation (PD) for the MAX6922/MAX6932/MAX6933/MAX6934 for multiplex tube drivers with the following equation:

$$P_D = (V_{CC} \times I_{CC}) + (V_{BB} \times I_{BB}) + ((V_{BB} - V_H) \times I_{ANODE} \times A) + ((V_{BB} - V_H) \times I_{GRID})$$

where:

A = number of anodes driven.

G = number of grids driven.

$I_{ANODE}$  = maximum anode current.

$I_{GRID}$  = maximum grid current.

The calculation presumes all anodes are on, but only one grid is on. The calculated  $P_D$  is the worst case, presuming one digit is always being driven with all its anodes lit. Actual  $P_D$  can be estimated by multiplying this  $P_D$  figure by the actual tube drive duty cycle, taking into account interdigit blanking and any PWM intensity control.

A multiplexed tube dissipation example follows:

$$V_{CC} = 5V \pm 5\%, V_{BB} = 36V \text{ to } 42V, A = 20, G = 12,$$

$$I_{ANODE} = 0.4mA, I_{GRID} = 24mA$$

$$P_D = (5.25V \times 1.5mA) + (42V \times 2.2mA) + ((2.5V \times 0.4mA/25mA) \times 0.4mA \times 20) + ((2.5V \times 24mA/25mA) \times 24mA) = 158mW$$

Thus, for a 44-pin PLCC package ( $T_{JA} = 1/0.0133 = 75.188^\circ C/W$  from *Absolute Maximum Ratings*), the maximum allowed ambient temperature  $T_A$  is given by:

$$T_{J(MAX)} = T_A + (P_D \times T_{JA}) = +150^\circ C = T_A + (0.158 \times 75.188^\circ C/W)$$

So  $T_A = +138^\circ C$ .

This means that the driver can be operated in this application with a PLCC package up to the  $+125^\circ C$  maximum operating temperature.

### Power-Supply Considerations

The MAX6922/MAX6932/MAX6933/MAX6934 operate with multiple power-supply voltages. Bypass the  $V_{CC}$ ,  $V_{BB}$ , and  $V_{SS}$  (MAX6932/MAX6933/MAX6934 only) power-supply pins to GND with  $0.1\mu F$  capacitors close to the device. The MAX6932/MAX6933/MAX6934 may be operated with  $V_{SS}$  tied to GND if a negative bias supply is not required. For multiplex applications, it may be necessary to add an additional bulk electrolytic capacitor of  $1\mu F$  or greater to the  $V_{BB}$  supply.

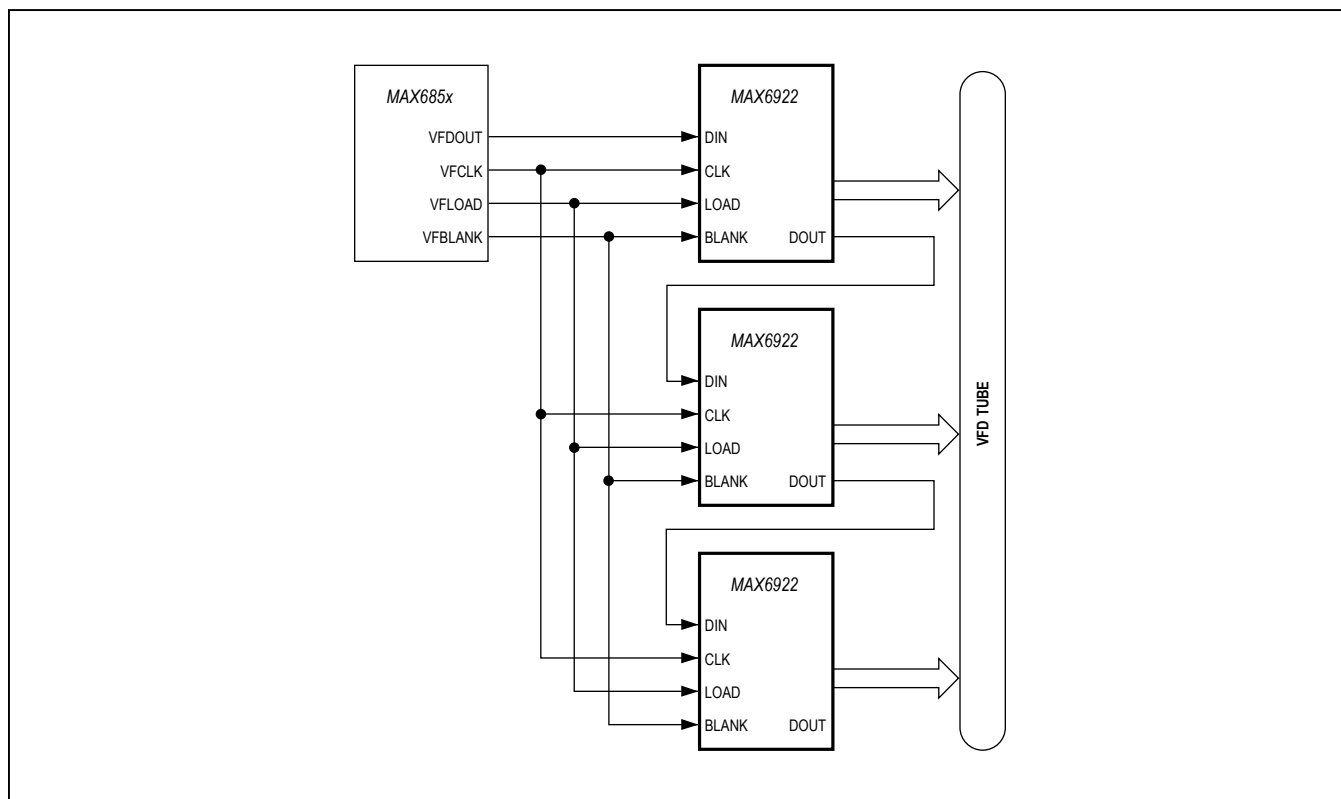
### Power-Supply Sequencing

The order of the power-supply sequencing is not important. These ICs are damaged if any combination of  $V_{CC}$ ,  $V_{BB}$ , and  $V_{SS}$  is grounded while the other supply or supplies are maintained up to their maximum ratings. However, as with any CMOS device, do not drive the logic inputs if the logic supply  $V_{CC}$  is not operational because the input protection diodes clamp the signals.

### Cascading Drivers (MAX6922/MAX6932/MAX6934 Only)

Multiple driver ICs may be cascaded, as shown in the *Typical Application Circuit*, by connecting each driver's DOUT to DIN of the next drivers. Devices may be cascaded at the full 5MHz CLK speed when  $V_{CC} \geq 4.5V$ . When  $V_{CC} < 4.5V$ , the longer propagation delay ( $t_{DO}$ ) limits the maximum cascaded CLK to 4MHz.

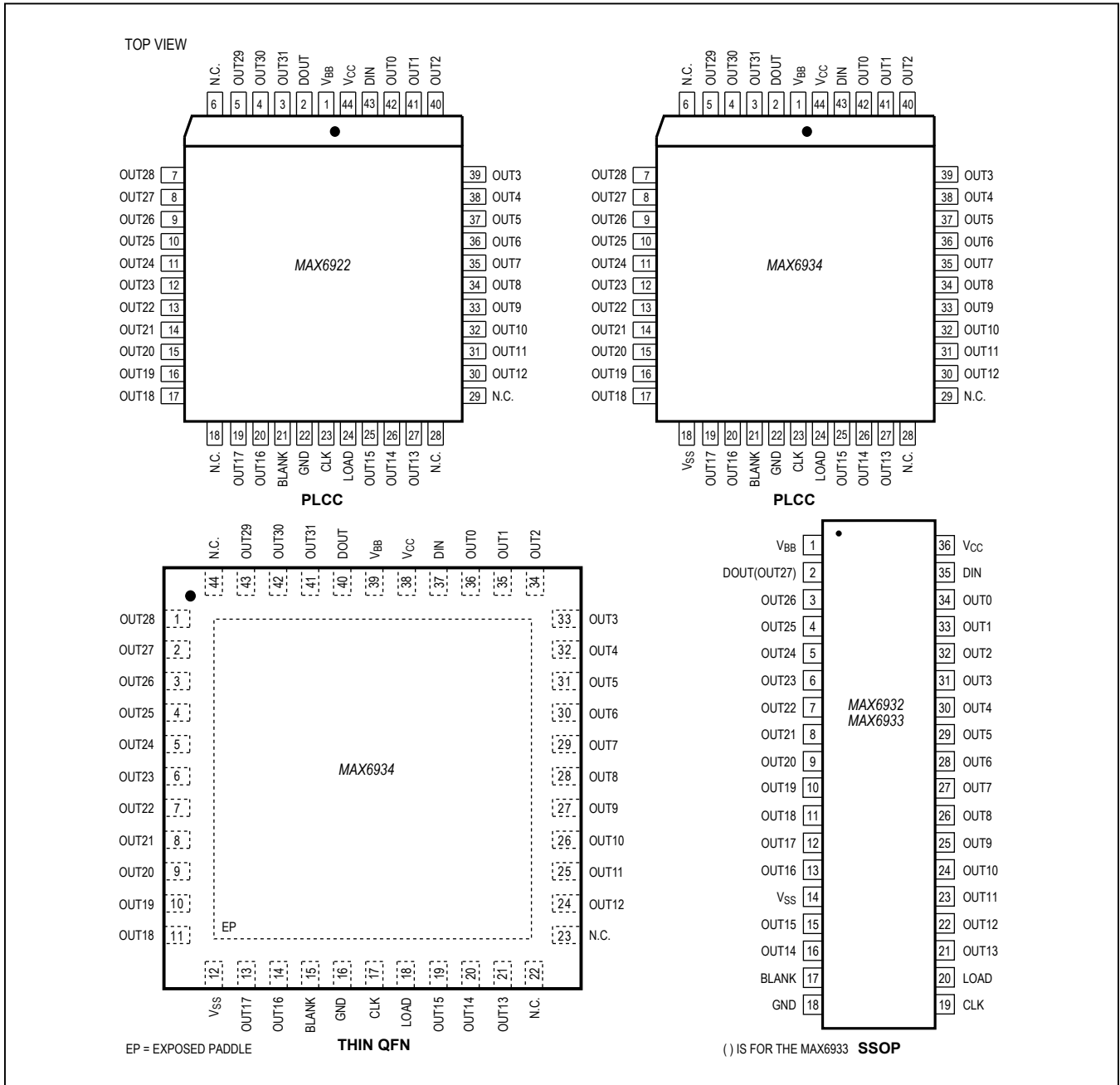
### Typical Application Circuit



### Chip Information

PROCESS: BiCMOS

Pin Configurations



MAX6922/MAX6932/  
MAX6933/MAX6934

27-, 28-, and 32-Output, 76V,  
Serial-Interfaced VFD Tube Drivers

## Package Information

For the latest package outline information and land patterns (footprints), go to [www.maximintegrated.com/packages](http://www.maximintegrated.com/packages). Note that a "+", "#", or "-" in the package code indicates RoHS status only. Package drawings may show a different suffix character, but the drawing pertains to the package regardless of RoHS status.

| PACKAGE TYPE | PACKAGE CODE | DOCUMENT NO.            | LAND PATTERN NO.        |
|--------------|--------------|-------------------------|-------------------------|
| 36 SSOP      | A36-2        | <a href="#">21-0040</a> | <a href="#">90-0098</a> |
| 44 PLCC      | Q44-1        | <a href="#">21-0049</a> | <a href="#">90-0236</a> |
| 44 TQFN-EP   | T4477-3      | <a href="#">21-0144</a> | <a href="#">90-0128</a> |

## Revision History

| REVISION NUMBER | REVISION DATE | DESCRIPTION   | PAGES CHANGED |
|-----------------|---------------|---|---------------|
| 0               | 2/04          | Initial release   | —             |
| 1               | 1/07          | Corrected <i>Pin Description</i>                                      | 6             |
| 2               | 3/07          | Updated <i>Electrical Characteristics</i>                             | 1, 2, 3, 16   |
| 3               | 7/14          | Removed automotive designation and revised <i>Package Information</i> | 1, 13         |

For pricing, delivery, and ordering information, please contact Maxim Direct at 1-888-629-4642, or visit Maxim Integrated's website at [www.maximintegrated.com](http://www.maximintegrated.com).

Maxim Integrated cannot assume responsibility for use of any circuitry other than circuitry entirely embodied in a Maxim Integrated product. No circuit patent licenses are implied. Maxim Integrated reserves the right to change the circuitry and specifications without notice at any time. The parametric values (min and max limits) shown in the *Electrical Characteristics* table are guaranteed. Other parametric values quoted in this data sheet are provided for guidance.

Компания «Life Electronics» занимается поставками электронных компонентов импортного и отечественного производства от производителей и со складов крупных дистрибьюторов Европы, Америки и Азии.

С конца 2013 года компания активно расширяет линейку поставок компонентов по направлению коаксиальный кабель, кварцевые генераторы и конденсаторы (керамические, пленочные, электролитические), за счёт заключения дистрибьюторских договоров

Мы предлагаем:

- Конкурентоспособные цены и скидки постоянным клиентам.
- Специальные условия для постоянных клиентов.
- Подбор аналогов.
- Поставку компонентов в любых объемах, удовлетворяющих вашим потребностям.
- Приемлемые сроки поставки, возможна ускоренная поставка.
- Доставку товара в любую точку России и стран СНГ.
- Комплексную поставку.
- Работу по проектам и поставку образцов.
- Формирование склада под заказчика.
- Сертификаты соответствия на поставляемую продукцию (по желанию клиента).
- Тестирование поставляемой продукции.
- Поставку компонентов, требующих военную и космическую приемку.
- Входной контроль качества.
- Наличие сертификата ISO.

В составе нашей компании организован Конструкторский отдел, призванный помогать разработчикам, и инженерам.

Конструкторский отдел помогает осуществить:

- Регистрацию проекта у производителя компонентов.
- Техническую поддержку проекта.
- Защиту от снятия компонента с производства.
- Оценку стоимости проекта по компонентам.
- Изготовление тестовой платы монтаж и пусконаладочные работы.



Тел: +7 (812) 336 43 04 (многоканальный)

Email: [org@lifeelectronics.ru](mailto:org@lifeelectronics.ru)