

3.5 mm×2.9 mm SMD Light Touch Switches

Type: **EVPAA**



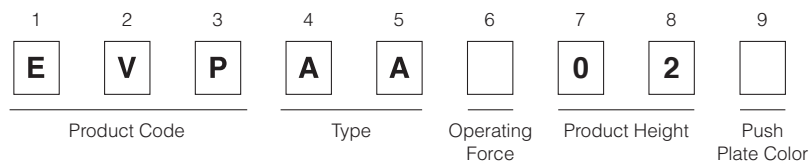
■ Features

- External dimensions : 3.5 mm×2.9 mm, Height 1.7 mm
- High operating force available
(Operating force : 7.0 N max.)
- Optional ground terminal

■ Recommended Applications

- Operation switches for portable electronic equipments
(Mobile phones, Digital still cameras, etc.)
- Operating switches for keyless entry systems

■ Explanation of Part Numbers




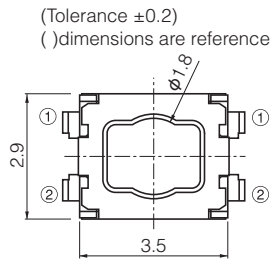
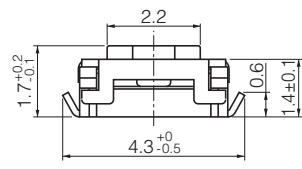
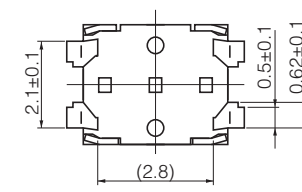
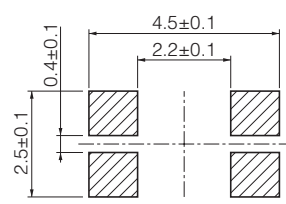
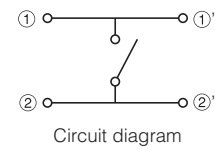
■ Specifications

| | | |
|-------------------------------|---------------------------------|---|
| Type | | Snap action/Push-on type SPST |
| Electrical | Rating | 10 μA 2 V DC to 20 mA 15 V DC (Resistive load) |
| | Contact Resistance | 100 mΩ max. |
| | Insulation Resistance | 100 MΩ min. (at 100 V DC) |
| | Dielectric Withstanding Voltage | 250 V AC for 1 minute |
| | Bouncing | 10 ms max. (ON, OFF) |
| Mechanical | Operating Force | 1.0 N, 1.6 N, 2.4 N, 3.5 N, 5.0 N, 7.0 N |
| | Travel | 0.15 mm±0.1 mm |
| Endurance | Operating Life | 1,000,000 cycles min. (1.0 N) 500,000 cycles min. (3.5 N) 200,000 cycles min. (1.6 N, 2.4 N, 3.5 N) 100,000 cycles min. (5.0 N, 7.0 N) |
| Operating Temperature | | -40 °C to +85 °C |
| Storage Temperature | | -40 °C to +85 °C (Bulk) -20 °C to +60 °C (Taping) |
| Minimum Quantity/Packing Unit | | 5,000 pcs. Embossed Taping (Reel Pack) |
| Quantity/Carton | | 25,000 pcs. |

Note: Non washable

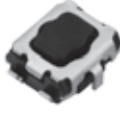
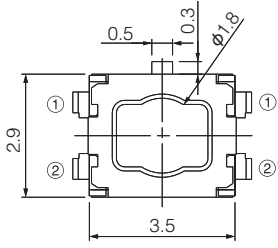
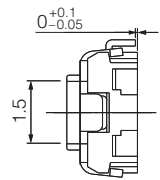
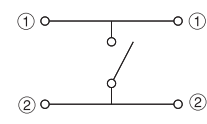
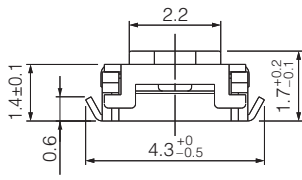
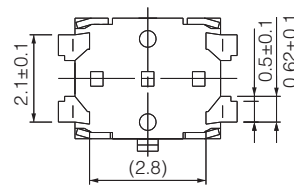
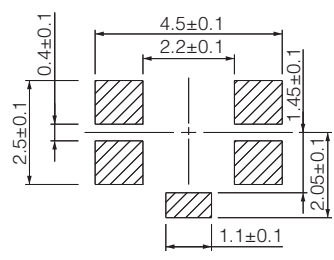
Design and specifications are each subject to change without notice. Ask factory for the current technical specifications before purchase and/or use.
Should a safety concern arise regarding this product, please be sure to contact us immediately.

■ Dimensions in mm (not to scale)

| | | | | |
|--|--|------------------------|-------------------------|---|
| <p>No. 1</p> <p>EVPAA</p> <p>(Embossed Taping) Thickness : 1.7 mm With J-bent terminals Without Ground Terminal</p>  | <p>(Tolerance ± 0.2) () dimensions are reference dimensions.</p>      <p>Circuit diagram</p> <p>PWB land pattern for reference</p> | | | |
| <p>Part Numbers</p> | <p>Ground Terminal</p> | <p>Operating Force</p> | <p>Push Plate Color</p> | <p>Operating Life</p> |
| <p>EVPA002K</p> | <p>Without</p> | <p>1.0 N</p> | <p>Black</p> | <p>1,000,000 cycles</p> |
| <p>EVPA202K</p> | <p>Without</p> | <p>1.6 N</p> | <p>Black</p> | <p>200,000 cycles</p> |
| <p>EVPA402W</p> | <p>Without</p> | <p>2.4 N</p> | <p>White</p> | <p>200,000 cycles</p> |
| <p>EVPA602W</p> | <p>Without</p> | <p>3.5 N</p> | <p>White</p> | <p>200,000 cycles</p> |
| <p>EVPAAM02W</p> | <p>Without</p> | <p>3.5 N</p> | <p>White</p> | <p>500,000 cycles</p> |
| <p>EVPA802Q</p> | <p>Without</p> | <p>5.0 N</p> | <p>Gray</p> | <p>100,000 cycles</p> |
| <p>EVPAAN02Q</p> | <p>Without</p> | <p>5.0 N</p> | <p>Gray</p> | <p>100,000 cycles (High load : 10N)</p> |
| <p>EVPAAU02Q</p> | <p>Without</p> | <p>7.0 N</p> | <p>Gray</p> | <p>100,000 cycles</p> |

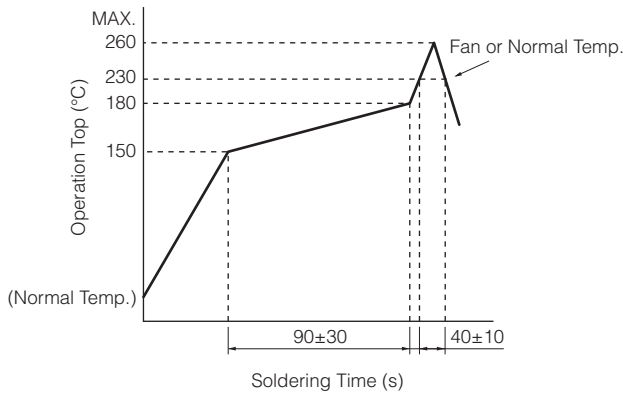
Design and specifications are each subject to change without notice. Ask factory for the current technical specifications before purchase and/or use.
 Should a safety concern arise regarding this product, please be sure to contact us immediately.

■ Dimensions in mm (not to scale)

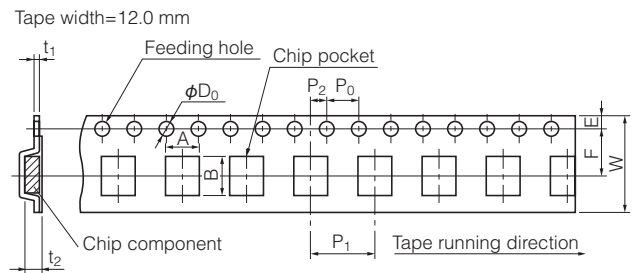
| <p>No. 2</p> <p>EVPAA</p> <p>(Embossed Taping) Thickness : 1.7 mm With J-bent terminals With Ground Terminal</p>  | <p>(Tolerance ± 0.2) () dimensions are reference dimensions.</p> | | | |
|---|--|---|--|-------------------------------------|
| |  |  |  <p>Circuit diagram</p> | |
| |  | | | |
| |  |  <p>PWB land pattern for reference</p> | | |
| Part Numbers | Ground Terminal | Operating Force | Push Plate Color | Operating Life |
| EVPAA102K | With | 1.0 N | Black | 1,000,000 cycles |
| EVPAA302K | With | 1.6 N | Black | 200,000 cycles |
| EVPAA502W | With | 2.4 N | White | 200,000 cycles |
| EVPAA702W | With | 3.5 N | White | 200,000 cycles |
| EVPAAQ02W | With | 3.5 N | White | 500,000 cycles |
| EVPAA902Q | With | 5.0 N | Gray | 100,000 cycles |
| EVPAAR02Q | With | 5.0 N | Gray | 100,000 cycles (High load : 10N) |

Design and specifications are each subject to change without notice. Ask factory for the current technical specifications before purchase and/or use.
Should a safety concern arise regarding this product, please be sure to contact us immediately.

■ Recommended Reflow Soldering Conditions



● Embossed Carrier Taping

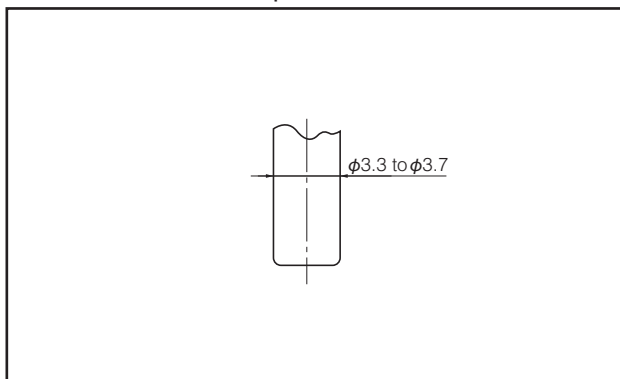


Taping condition : Lack of products in the middle of taping should be one MAX, but total quantity specified in the specifications should be secured.
 Peeling off strength of top tape : It should be within 0.2N to 1.0N at 165 degree in peeling off angle.
 Joint of carrier tape : One joint per one reel may exist.

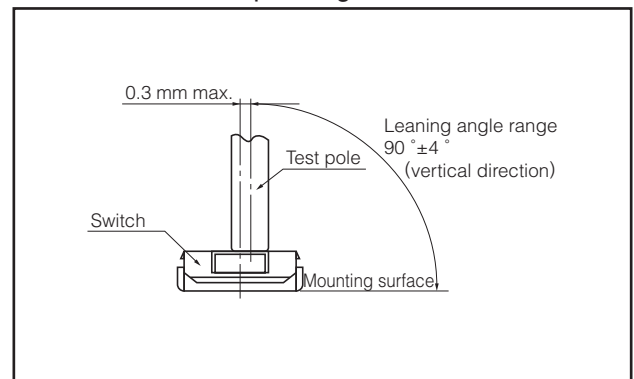
Unit: mm

| Part No. | Height | A | B | W | F | E | P ₁ | P ₂ | P ₀ | D ₀ Dia | t ₁ | t ₂ |
|----------|--------|---------|---------|----------|---------|-----------|----------------|----------------|----------------|---------------------|----------------|----------------|
| EVPAA | 1.7 | 4.5±0.2 | 3.8±0.2 | 12.0±0.3 | 5.5±0.1 | 1.75±0.10 | 8.0±0.1 | 2.0±0.1 | 4.0±0.1 | 1.5 ^{+0.1} | 0.3±0.1 | 1.85±0.20 |

■ Recommended Shape of Test Pole



■ Recommended Operating Conditions



Design and specifications are each subject to change without notice. Ask factory for the current technical specifications before purchase and/or use.
 Should a safety concern arise regarding this product, please be sure to contact us immediately.

Mouser Electronics

Authorized Distributor

Click to View Pricing, Inventory, Delivery & Lifecycle Information:

Panasonic:

[EVP-AA102K](#) [EVP-AA302K](#) [EVP-AA502W](#) [EVP-AA702W](#) [EVP-AA902Q](#) [EVP-AA002K](#) [EVP-AA202K](#) [EVP-AA402W](#) [EVP-AA602W](#) [EVP-AA802Q](#) [EVP-AAM02W](#) [EVP-AAN02Q](#) [EVP-AAU02Q](#) [EVP-AAQ02W](#) [EVP-AAR02Q](#)

Компания «Life Electronics» занимается поставками электронных компонентов импортного и отечественного производства от производителей и со складов крупных дистрибьюторов Европы, Америки и Азии.

С конца 2013 года компания активно расширяет линейку поставок компонентов по направлению коаксиальный кабель, кварцевые генераторы и конденсаторы (керамические, пленочные, электролитические), за счёт заключения дистрибьюторских договоров

Мы предлагаем:

- Конкуренспособные цены и скидки постоянным клиентам.
- Специальные условия для постоянных клиентов.
- Подбор аналогов.
- Поставку компонентов в любых объемах, удовлетворяющих вашим потребностям.
- Приемлемые сроки поставки, возможна ускоренная поставка.
- Доставку товара в любую точку России и стран СНГ.
- Комплексную поставку.
- Работу по проектам и поставку образцов.
- Формирование склада под заказчика.
- Сертификаты соответствия на поставляемую продукцию (по желанию клиента).
- Тестирование поставляемой продукции.
- Поставку компонентов, требующих военную и космическую приемку.
- Входной контроль качества.
- Наличие сертификата ISO.

В составе нашей компании организован Конструкторский отдел, призванный помогать разработчикам, и инженерам.

Конструкторский отдел помогает осуществить:

- Регистрацию проекта у производителя компонентов.
- Техническую поддержку проекта.
- Защиту от снятия компонента с производства.
- Оценку стоимости проекта по компонентам.
- Изготовление тестовой платы монтаж и пусконаладочные работы.



Тел: +7 (812) 336 43 04 (многоканальный)

Email: org@lifeelectronics.ru