



# High Performance, Low Power, ISM Band FSK/GFSK/MSK/GMSK Transceiver IC

Data Sheet

**ADF7023-J**

## FEATURES

Ultralow power, high performance transceiver  
Frequency bands: 902 MHz to 958 MHz  
Data rates supported: 1 kbps to 300 kbps  
2.2 V to 3.6 V power supply  
Single-ended and differential power amplifiers (PAs)  
Low IF receiver with programmable IF bandwidths  
100 kHz, 150 kHz, 200 kHz, 300 kHz  
Receiver sensitivity (BER)  
–116 dBm at 1.0 kbps, 2FSK, GFSK  
–107.5 dBm at 38.4 kbps, 2FSK, GFSK  
–106.5 dBm at 50 kbps, 2FSK, GFSK  
–105 dBm at 100 kbps, 2FSK, GFSK  
–104 dBm at 150 kbps, GFSK, GMSK  
–103 dBm at 200 kbps, GFSK, GMSK  
–100.5 dBm at 300 kbps, GFSK, GMSK  
Very low power consumption  
12.8 mA in PHY\_RX mode (maximum front-end gain)  
11.9 mA in PHY\_RX mode (AGC off, ADC off)  
24.1 mA in PHY\_TX mode (10 dBm output, single-ended PA)  
0.75  $\mu$ A in PHY\_SLEEP mode (32 kHz RC oscillator active)  
1.28  $\mu$ A in PHY\_SLEEP mode (32 kHz XTAL oscillator active)  
0.33  $\mu$ A in PHY\_SLEEP mode (Deep Sleep Mode 1)  
RF output power of –20 dBm to +13.5 dBm (single-ended PA)  
RF output power of –20 dBm to +10 dBm (differential PA)  
Patented fast settling automatic frequency control (AFC)  
Digital received signal strength indication (RSSI)  
Integrated PLL loop filter and Tx/Rx switch  
Fast automatic voltage controlled oscillator (VCO) calibration  
Automatic synthesizer bandwidth optimization  
On-chip, low power, custom 8-bit processor  
Radio control  
Packet management  
Smart wake mode

## SPORT mode support

High speed synchronous serial interface to Tx and Rx Data for direct interfacing to processors and DSPs

## Packet management support

Highly flexible for a wide range of packet formats  
Insertion/detection of preamble/sync word/CRC/address  
Manchester and 8b/10b data encoding and decoding  
Data whitening

## Smart wake mode

Current saving low power mode with autonomous receiver wake up, carrier sense, and packet reception

## Downloadable firmware modules

Image rejection calibration, fully automated (patent pending)  
128-bit AES encryption/decryption with hardware acceleration and key sizes of 128 bits, 192 bits, and 256 bits

Reed-Solomon error correction with hardware acceleration

240-byte packet buffer for Tx/Rx data

Efficient SPI control interface with block read/write access

Integrated battery alarm and temperature sensor

Integrated RC and 32.768 kHz crystal oscillator

On-chip, 8-bit ADC

5 mm  $\times$  5 mm, 32-lead, LFCSP package

## APPLICATIONS

Smart metering

IEEE 802.15.4g

Home automation

Process and building control

Wireless sensor networks (WSNs)

Wireless healthcare

Rev. B

[Document Feedback](#)

Information furnished by Analog Devices is believed to be accurate and reliable. However, no responsibility is assumed by Analog Devices for its use, nor for any infringements of patents or other rights of third parties that may result from its use. Specifications subject to change without notice. No license is granted by implication or otherwise under any patent or patent rights of Analog Devices. Trademarks and registered trademarks are the property of their respective owners.

One Technology Way, P.O. Box 9106, Norwood, MA 02062-9106, U.S.A.  
Tel: 781.329.4700 ©2011–2013 Analog Devices, Inc. All rights reserved.

[Technical Support](#)

[www.analog.com](http://www.analog.com)

## TABLE OF CONTENTS

|   |    |   |    |
|---|----|---|----|
| Features .....                                    | 1  | Interrupts in Sport Mode .....                                | 48 |
| Applications .....                                | 1  | ADF7023-J Memory Map .....                                    | 49 |
| Revision History .....                            | 3  | BBRAM .....   | 49 |
| Functional Block Diagram .....                    | 4  | Modem Configuration RAM (MCR) .....                           | 49 |
| General Description .....                         | 4  | Program ROM .....   | 49 |
| Specifications .....                              | 6  | Program RAM .....   | 49 |
| RF and Synthesizer Specifications .....           | 6  | Packet RAM .....  | 50 |
| Transmitter Specifications .....                  | 7  | SPI Interface .....   | 51 |
| Receiver Specifications .....                     | 9  | General Characteristics .....                                 | 51 |
| Timing and Digital Specifications .....           | 12 | Command Access .....  | 51 |
| Auxiliary Block Specifications .....              | 13 | Status Word .....   | 51 |
| General Specifications .....                      | 14 | Command Queuing .....   | 52 |
| Timing Specifications .....                       | 15 | Memory Access .....   | 53 |
| Absolute Maximum Ratings .....                    | 16 | Low Power Modes .....   | 56 |
| ESD Caution .....                                 | 16 | Example Low Power Modes .....                                 | 59 |
| Pin Configuration and Function Descriptions ..... | 17 | Low Power Mode Timing Diagrams .....                          | 61 |
| Typical Performance Characteristics .....         | 19 | WUC Setup .....   | 62 |
| Terminology .....                                 | 26 | Firmware Timer Setup .....                                    | 63 |
| Radio Control .....                               | 27 | Calibrating the RC Oscillator .....                           | 63 |
| Radio States .....                                | 27 | Downloadable Firmware Modules .....                           | 65 |
| Initialization .....                              | 29 | Writing a Module to Program RAM .....                         | 65 |
| Commands .....                                    | 30 | Image Rejection Calibration Module .....                      | 65 |
| Automatic State Transitions .....                 | 32 | AES Encryption and Decryption Module .....                    | 65 |
| State Transition and Command Timing .....         | 33 | Reed-Solomon Coding Module .....                              | 65 |
| Sport Mode .....                                  | 37 | Radio Blocks .....  | 67 |
| Packet Structure in Sport Mode .....              | 37 | Frequency Synthesizer .....                                   | 67 |
| Sport Mode in Transmit .....                      | 37 | Crystal Oscillator .....                                      | 68 |
| Sport Mode in Receive .....                       | 37 | Modulation .....  | 68 |
| Transmit Bit Latencies in Sport Mode .....        | 37 | RF Output Stage .....   | 69 |
| Packet Mode .....                                 | 40 | PA/LNA Interface .....  | 69 |
| Preamble .....                                    | 40 | Receive Channel Filter .....                                  | 69 |
| Sync Word .....                                   | 41 | Image Channel Rejection .....                                 | 69 |
| Payload .....                                     | 42 | Automatic Gain Control (AGC) .....                            | 69 |
| CRC .....   | 43 | RSSI .....  | 70 |
| Postamble .....                                   | 44 | 2FSK/GFSK/MSK/GMSK Demodulation .....                         | 72 |
| Transmit Packet Timing .....                      | 44 | Clock Recovery .....  | 73 |
| Data Whitening .....                              | 45 | Recommended Receiver Settings for<br>2FSK/GFSK/MSK/GMSK ..... | 73 |
| Manchester Encoding .....                         | 45 | Peripheral Features .....                                     | 76 |
| 8b/10b Encoding .....                             | 45 | Analog-to-Digital Converter .....                             | 76 |
| Interrupt Generation .....                        | 46 |   |    |

|                                 |    |                                       |     |
|---------------------------------|----|---------------------------------------|-----|
| Temperature Sensor .....        | 76 | Command Reference .....               | 80  |
| Test DAC .....                  | 76 | Register Maps .....                   | 81  |
| Transmit Test Modes .....       | 76 | BBRAM Register Description .....      | 83  |
| Silicon Revision Readback ..... | 76 | MCR Register Description.....         | 94  |
| Applications Information .....  | 77 | Packet RAM Register Description ..... | 101 |
| Application Circuit .....       | 77 | Outline Dimensions.....               | 102 |
| Host Processor Interface .....  | 77 | Ordering Guide .....                  | 102 |
| PA/LNA Matching .....           | 78 |                                       |     |

## REVISION HISTORY

### 1/13—Rev. A to Rev. B

|   |     |
|---|-----|
| Change to Accuracy of Temperature Readback Parameter,<br>Table 5..... | 13  |
| Changes to Table 9 .....  | 17  |
| Change to PHY_TX Section .....  | 27  |
| Changes to Table 12 .....   | 36  |
| Changes to Figure 56 .....  | 44  |
| Changes to Interrupts in Sport Mode Section.....                      | 48  |
| Changes to Table 26 .....   | 52  |
| Changes to Table 28 .....   | 57  |
| Changes to Table 29 .....   | 62  |
| Changes to Crystal Oscillator Section and Table 32.....               | 73  |
| Change to Power Amplifier (PA) Section .....                          | 74  |
| Changes to Figure 84 .....  | 77  |
| Changes to Table 44 .....   | 79  |
| Changes to Table 95 .....   | 93  |
| Change to Table 99 .....  | 94  |
| Change to Table 137.....  | 100 |
| Updated Outline Dimensions.....                                       | 102 |

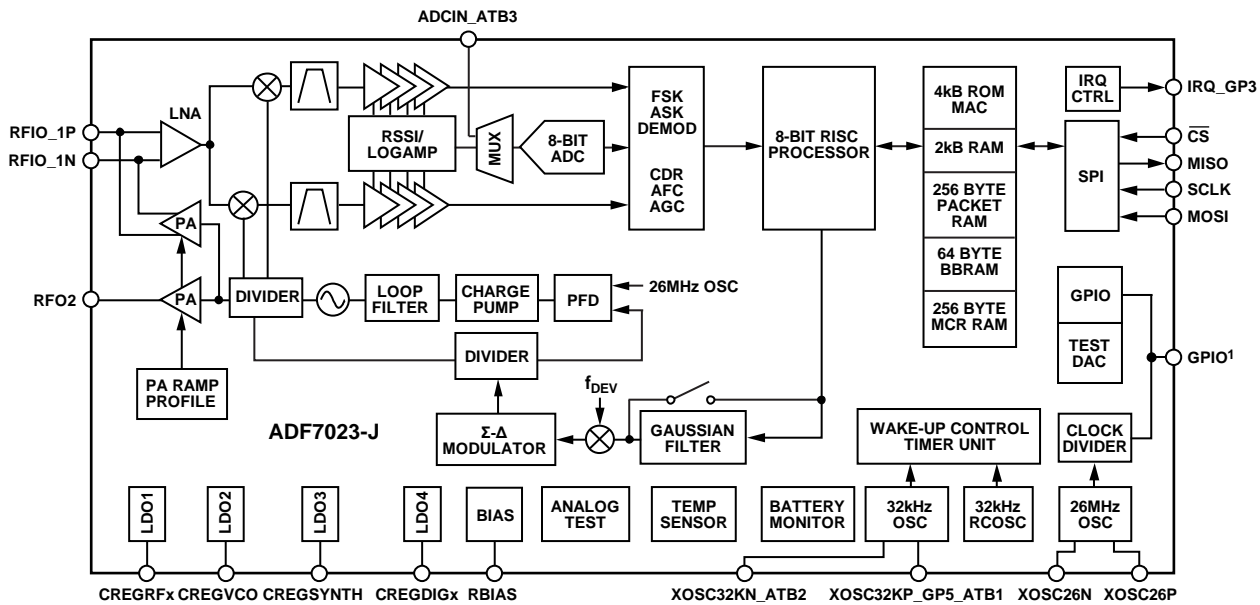
### 6/12—Rev. 0 to Rev. A

|  |    |
|--|----|
| Changes to General Descriptions Section.....   | 4  |
| Changes to Calibration Time and to ADC Parameter<br>in Table 5.....                            | 13 |
| Changes to Table 7 and to table summary statement and<br>changes to Figure 2 and Figure 3..... | 15 |
| Changes to Figure 5 and Figure 7 .....   | 19 |
| Changes to Figure 43 .....   | 25 |
| Changes to PHY_SLEEP Section .....   | 27 |
| Changes to State Transition and Command Timing Section<br>and changes to Table 11 .....        | 33 |
| Changes to Table 12 .....  | 34 |
| Changes to Figure 49 and Figure 50 .....   | 38 |

|   |     |
|---|-----|
| Changes to Figure 51 and Figure 52 .....  | 39  |
| Changes to Figure 53 .....  | 41  |
| Changes to Addressing Section .....   | 42  |
| Changes to Table 20 and changes to CRC Section.....   | 43  |
| Changes to Figure 56 .....  | 44  |
| Changes to Command Access Section .....   | 51  |
| Changes to Table 28 .....   | 57  |
| Changes to Figure 69 .....  | 58  |
| Changes to Table 29 .....   | 62  |
| Added Calibrating the RC Oscillator Section .....   | 63  |
| Added Figure 75; Renumbered Sequentially.....   | 64  |
| Changes to Automatic PA Ramp Section and changes to<br>Image Channel Rejection Section.....                       | 69  |
| Changes to Temperature Sensor Section and changes to<br>Table 42.....   | 76  |
| Changes to Support for External PA and LNA Control<br>Section and changes to Table 44.....                        | 79  |
| Changes to Table 47 .....   | 81  |
| Changes to Table 48 .....   | 82  |
| Changes to Table 69 .....   | 86  |
| Changes to Table 70 .....   | 86  |
| Changes to Table 76 .....   | 88  |
| Changes to Table 77 and to Table 78 .....   | 89  |
| Changes to Table 83 and to Table 85910Changes to Table 93 and<br>added Table 94; Renumbered<br>Sequentially ..... | 92  |
| Added Table 95 and Table 96 .....   | 93  |
| Changes to Table 100 .....  | 94  |
| Changes to Table 110 .....  | 96  |
| Added Table 123 and Table 124.....  | 98  |
| Changes to Table 144 .....  | 101 |

### 5/11—Revision 0: Initial Version

## FUNCTIONAL BLOCK DIAGRAM



<sup>1</sup>GPIO REFERS TO PINS 17, 18, 19, 20, 25, AND 27.

Figure 1.

## GENERAL DESCRIPTION

The **ADF7023-J** is a very low power, high performance, highly integrated 2FSK/GFSK/MSK/GMSK transceiver designed for operation in the 902 MHz to 958 MHz frequency band, which covers the ARIB Standard T96 band at 950 MHz. Data rates from 1 kbps to 300 kbps are supported.

The transmit RF synthesizer contains a VCO and a low noise fractional-N phase locked loop (PLL) with an output channel frequency resolution of 400 Hz. The VCO operates at twice the fundamental frequency to reduce spurious emissions. The receive and transmit synthesizer bandwidths are automatically, and independently, configured to achieve optimum phase noise, modulation quality, and settling time. The transmitter output power is programmable from  $-20$  dBm to  $+13.5$  dBm, with automatic PA ramping to meet transient spurious specifications. The part possesses both single-ended and differential PAs, which allow for Tx antenna diversity.

The receiver is exceptionally linear, achieving an IP3 specification of  $-12.2$  dBm and  $-11.5$  dBm at maximum gain and minimum gain, respectively, and an IP2 specification of 18.5 dBm and 27 dBm at maximum gain and minimum gain, respectively. The receiver achieves an interference blocking specification of 66 dB at a  $\pm 2$  MHz offset and 74 dB at a  $\pm 10$  MHz offset. Thus, the part is extremely resilient to the presence of interferers in spectrally noisy environments. The receiver features a novel, high speed, AFC loop, allowing the PLL to find and correct any RF frequency errors in the recovered packet. A patent pending image rejection calibration scheme is available by downloading the image rejection calibration firmware module to program RAM. The algorithm does not require the use of an external RF source nor does it require any user intervention once initiated. The results of the

calibration can be stored in nonvolatile memory for use on subsequent power-ups of the transceiver.

The **ADF7023-J** operates with a power supply range of 2.2 V to 3.6 V and has very low power consumption in both Tx and Rx modes, enabling long lifetimes in battery-operated systems while maintaining excellent RF performance. The device can enter a low power sleep mode in which the configuration settings are retained in the battery backup random access memory (BBRAM).

The ADF7023-J features an ultralow power, on-chip, communications processor. The communications processor, which is an 8-bit RISC processor, performs the radio control, packet management, and smart wake mode (SWM) functionality. The communications processor eases the processing burden of the companion processor by integrating the lower layers of a typical communication protocol stack. The communications processor also permits the download and execution of firmware modules. Available modules include image rejection (IR) calibration, advanced encryption standard (AES) encryption, and Reed-Solomon coding. These firmware modules are available online at [ftp://ftp.analog.com/pub/RFL/FirmwareModules](http://ftp.analog.com/pub/RFL/FirmwareModules).

The communications processor provides a simple command-based radio control interface for the host processor. A single-byte command transitions the radio between states or performs a radio function.

The communications processor provides support for generic packet formats. The packet format is highly flexible and fully programmable, thereby ensuring its compatibility with proprietary packet profiles. In transmit mode, the communications processor can be configured to add preamble, sync word, and CRC to the payload data stored in packet RAM. In receive mode, the

communications processor can detect and interrupt the host processor on reception of preamble, sync word, address, and CRC and store the received payload to packet RAM. The ADF7023-J uses an efficient interrupt system comprising MAC level interrupts and PHY level interrupts that can be individually set. The payload data plus the 16-bit CRC can be encoded/decoded using Manchester or 8b/10b encoding. Alternatively, data whitening and dewatering can be applied.

The SWM allows the ADF7023-J to wake up autonomously from sleep using the internal wake-up timer without intervention from the host processor. After wake-up, the ADF7023-J is controlled by the communications processor. This functionality allows carrier sense, packet sniffing, and packet reception while the host processor is in sleep, thereby reducing overall system current consumption. The smart wake mode can wake the host processor on an interrupt condition. These interrupt conditions can be configured to include the reception of valid preamble, sync word, CRC, or address match. Wake-up from sleep mode can also be triggered by the host processor. For systems requiring

very accurate wake-up timing, a 32 kHz oscillator can be used to drive the wake-up timer. Alternatively, the internal RC oscillator can be used, which gives lower current consumption in sleep.

The ADF7023-J features an AES engine with hardware acceleration that provides 128-bit block encryption and decryption with key sizes of 128 bits, 192 bits, and 256 bits. Both electronic code book (ECB) and Cipher Block Chaining Mode 1 (CBC Mode 1) are supported. The AES engine can be used to encrypt/decrypt packet data and can be used as a stand-alone engine for encryption/decryption by the host processor. The AES engine is enabled on the ADF7023-J by downloading the AES firmware module to program RAM.

An on-chip, 8-bit ADC provides readback of an external analog input, the RSSI signal, or an integrated temperature sensor. An integrated battery voltage monitor raises an interrupt flag to the host processor whenever the battery voltage drops below a user-defined threshold.

## SPECIFICATIONS

$V_{DD} = V_{DDBAT1} = V_{DDBAT2} = 2.2 \text{ V to } 3.6 \text{ V}$ ,  $GND = 0 \text{ V}$ ,  $T_A = T_{MIN}$  to  $T_{MAX}$ , unless otherwise noted. Typical specifications are at  $V_{DD} = 3 \text{ V}$  and  $T_A = 25^\circ\text{C}$ .

### RF AND SYNTHESIZER SPECIFICATIONS

Table 1.

| Parameter                              | Min | Typ    | Max | Unit          | Test Conditions/Comments  |
|--|-----|--------|-----|---------------|---|
| RF CHARACTERISTICS                     |     |        |     |               |   |
| Frequency Range                        | 902 |        | 958 | MHz           |   |
| PHASE-LOCKED LOOP                      |     |        |     |               |   |
| Channel Frequency Resolution           |     | 396.7  |     | Hz            |   |
| Phase Noise at Offset of               |     |        |     |               | PA output power = 10 dBm, RF frequency = 950 MHz  |
| 600 kHz                                |     | -116.3 |     | dBc/Hz        | 130 kHz closed-loop bandwidth <sup>1</sup>  |
| 800 kHz                                |     | -119.4 |     | dBc/Hz        | 130 kHz closed-loop bandwidth   |
| 600 kHz                                |     | -113.8 |     | dBc/Hz        | 223 kHz closed-loop bandwidth <sup>2</sup>  |
| 800 kHz                                |     | -117.2 |     | dBc/Hz        | 223 kHz closed-loop bandwidth   |
| 1 MHz                                  |     | -126   |     | dBc/Hz        |   |
| 2 MHz                                  |     | -131   |     | dBc/Hz        |   |
| 10 MHz                                 |     | -142   |     | dBc/Hz        |   |
| VCO Calibration Time                   |     | 142    |     | $\mu\text{s}$ |   |
| Synthesizer Settling Time              |     | 56     |     | $\mu\text{s}$ | Frequency synthesizer settles to within $\pm 5$ ppm of the target frequency within this time following the VCO calibration, transmit, and receive, 2FSK/GFSK/MSK/GMSK |
| Integer Boundary Spurious <sup>3</sup> |     |        |     |               | N = 35 or 36  |
| (26 MHz $\times$ N) + 0.1 MHz          |     | -39    |     | dBc           | Using 130 kHz synthesizer bandwidth, integer boundary spur at 910 MHz (26 MHz $\times$ 35), inside synthesizer loop bandwidth   |
| (26 MHz $\times$ N) + 1.0 MHz          |     | -79    |     | dBc           | Using 130 kHz synthesizer bandwidth, integer boundary spur at 910 MHz (26 MHz $\times$ 35), outside synthesizer loop bandwidth  |
| CRYSTAL OSCILLATOR                     |     |        |     |               |   |
| Crystal Frequency                      |     | 26     |     | MHz           | Parallel load resonant crystal  |
| Recommended Load Capacitance           | 7   |        | 18  | pF            |   |
| Maximum Crystal ESR                    |     | 1800   |     | $\Omega$      | 26 MHz crystal with 18 pF load capacitance  |
| Pin Capacitance                        |     | 2.1    |     | pF            | Capacitance for XOSC26P and XOSC26N   |
| Start-Up Time                          |     | 310    |     | $\mu\text{s}$ | 26 MHz crystal with 7 pF load capacitance   |
|  |     | 388    |     | $\mu\text{s}$ | 26 MHz crystal with 18 pF load capacitance  |

<sup>1</sup> 130 kHz closed-loop bandwidth recommended for T96/15.4 g, 50 kbps and 100 kbps data rates (see Table 31).

<sup>2</sup> 223 kHz closed-loop bandwidth recommended for T96/15.4 g, 200 kbps data rate (see Table 31).

<sup>3</sup> As the 26 MHz XTAL is fixed, integer boundary spurs occur at 910 MHz and 936 MHz (N = 35 and N = 36).

## TRANSMITTER SPECIFICATIONS

Table 2.

| Parameter                                    | Min | Typ  | Max   | Unit | Test Conditions/Comments                             |
|--|-----|------|-------|------|--|
| DATA RATE                                    |     |      |       |      |  |
| 2FSK/GFSK/MSK/GMSK                           | 1   |      | 300   | kbps |  |
| Data Rate Resolution                         |     | 100  |       | bps  |  |
| MODULATION ERROR RATIO (MER) <sup>1</sup>    |     |      |       |      | RF frequency = 957.2 MHz, GFSK                       |
| 10 kbps to 49.5 kbps                         |     | 25.4 |       | dB   | Modulation index = 1                                 |
| 49.6 kbps to 129.5 kbps                      |     | 25.3 |       | dB   | Modulation index = 1                                 |
| 129.6 kbps to 179.1 kbps                     |     | 23.9 |       | dB   | Modulation index = 0.5                               |
| 179.2 kbps to 239.9 kbps                     |     | 23.3 |       | dB   | Modulation index = 0.5                               |
| 240 kbps to 300 kbps                         |     | 23   |       | dB   | Modulation index = 0.5                               |
| MODULATION ERROR RATIO 15.4 g DATA RATES     |     |      |       |      | With T96 look-up table (LUT) <sup>2</sup>            |
| 50 kbps                                      |     | 25.4 |       | dB   | Modulation index = 1                                 |
| 100 kbps                                     |     | 28.9 |       | dB   | Modulation index = 1                                 |
| 200 kbps                                     |     | 25.9 |       | dB   | Modulation index = 1                                 |
| 100 kbps                                     |     | 24.3 |       | dB   | Modulation index = 0.5                               |
| MODULATION                                   |     |      |       |      |  |
| 2FSK/GFSK/MSK/GMSK Frequency Deviation       | 0.1 |      | 409.5 | kHz  |  |
| Deviation Frequency Resolution               |     | 100  |       | Hz   |  |
| Gaussian Filter Bandwidth-Time (BT) Product  |     | 0.5  |       |      |  |
| SINGLE-ENDED PA                              |     |      |       |      |  |
| Maximum Power <sup>3</sup>                   |     | 13.5 |       | dBm  | Programmable, separate PA and LNA match <sup>4</sup> |
| Minimum Power                                |     | -20  |       | dBm  |  |
| Transmit Power Variation vs. Temperature     |     | ±0.5 |       | dB   | From -40°C to +85°C, RF frequency = 958.0 MHz        |
| Transmit Power Variation vs. V <sub>DD</sub> |     | ±1   |       | dB   | From 2.2 V to 3.6 V, RF frequency = 958.0 MHz        |
| Transmit Power Flatness                      |     | ±1   |       | dB   | From 902 MHz to 928 MHz and 950 MHz to 958 MHz       |
| Programmable Step Size                       |     |      |       |      |  |
| -20 dBm to +13.5 dBm                         |     | 0.5  |       | dB   | Programmable in 63 steps                             |
| DIFFERENTIAL PA                              |     |      |       |      |  |
| Maximum Power <sup>3</sup>                   |     | 10   |       | dBm  | Programmable   |
| Minimum Power                                |     | -20  |       | dBm  |  |
| Transmit Power Variation vs. Temperature     |     | ±1   |       | dB   | From -40°C to +85°C, RF frequency = 958.0 MHz        |
| Transmit Power Variation vs. V <sub>DD</sub> |     | ±2   |       | dB   | From 2.2 V to 3.6 V, RF frequency = 958.0 MHz        |
| Transmit Power Flatness                      |     | ±1   |       | dB   | From 902 MHz to 928 MHz and 950 MHz to 958 MHz       |
| Programmable Step Size                       |     |      |       |      |  |
| -20 dBm to +10 dBm                           |     | 0.5  |       | dB   | Programmable in 63 steps                             |

| Parameter                             | Min | Typ          | Max | Unit        | Test Conditions/Comments   |
|---------------------------------------|-----|--------------|-----|-------------|--|
| SPURIOUS EMISSIONS                    |     |              |     |             | Measured as per TELEC T-245 for T96 compliance, 950 MHz to 958 MHz band, single-ended PA with combined output. For spurious emissions compliance in the 1.8845 GHz to 1.9196 GHz frequency band, a seventh-order PA harmonic filter is used. This has an insertion loss of up to 1.5 dB. |
| 30 MHz to 710 MHz                     |     | -65          |     | dBm/100 kHz | DR = 100 kbps, MI = 1, n = 2, f <sub>c</sub> = 957.3 MHz   |
| 710 MHz to 945 MHz                    |     | -63          |     | dBm/1 MHz   |  |
| 945 MHz to 950 MHz                    |     | -66          |     | dBm/100 kHz |  |
| 958 MHz to 960 MHz                    |     | -60.7        |     | dBm/100 kHz |  |
| 960 MHz to 1 GHz                      |     | -64          |     | dBm/100 kHz |  |
| 1 GHz to 1.215 GHz                    |     | -72          |     | dBm/1 MHz   |  |
| 1.215 GHz to 1.8845 GHz               |     | -76          |     | dBm/1 MHz   |  |
| 1.8845 GHz to 1.9196 GHz <sup>5</sup> |     | -69          |     | dBm/1 MHz   |  |
| 1.9196 GHz to 3 GHz                   |     | -66          |     | dBm/1 MHz   |  |
| 3 GHz to 5 GHz                        |     | -69          |     | dBm/1 MHz   |  |
| OPTIMUM PA LOAD IMPEDANCE             |     |              |     |             |  |
| Single-Ended PA in Transmit Mode      |     |              |     |             | PA Impedance in Rx mode  |
| f <sub>RF</sub> = 915 MHz             |     | 50.8 + j10.2 |     | Ω           |  |
| f <sub>RF</sub> = 954MHz              |     | 38.5 + j5.9  |     | Ω           |  |
| Single-Ended PA in Receive Mode       |     |              |     |             | Load impedance between RFIO_1P and RFIO_1N to ensure maximum output power  |
| f <sub>RF</sub> = 915 MHz             |     | 9.4 - j124   |     | Ω           |  |
| f <sub>RF</sub> = 954 MHz             |     | 8.8 - j118.5 |     | Ω           |  |
| Differential PA in Transmit Mode      |     |              |     |             |  |
| f <sub>RF</sub> = 915 MHz             |     | 20.5 + j36.4 |     | Ω           |  |
| f <sub>RF</sub> = 954 MHz             |     | 28.1 + j17.3 |     | Ω           |  |

<sup>1</sup> MER is a measure of signal to noise ratio at optimal eye sampling point.

<sup>2</sup> Optimized PLL bandwidth settings vs. data rate defined in Table 31.

<sup>3</sup> Measured as the maximum unmodulated power.

<sup>4</sup> A combined single-ended PA and LNA match can reduce the maximum achievable output power by up to 1 dB.

<sup>5</sup> This includes the second harmonic.



## RECEIVER SPECIFICATIONS

Table 3.

| Parameter   | Min | Typ    | Max | Unit | Test Conditions/Comments   |
|---|-----|--------|-----|------|--|
| 2FSK/MSK INPUT SENSITIVITY, BIT ERROR RATE (BER)    |     |        |     |      |  |
| 1.0 kbps  |     | -116   |     | dBm  | At BER = $1E-3$ , RF frequency = 915 MHz, LNA and PA matched separately <sup>1</sup><br>Frequency deviation = 4.8 kHz, IF filter bandwidth = 100 kHz                                   |
| 10 kbps   |     | -111   |     | dBm  | Frequency deviation = 9.6 kHz, IF filter bandwidth = 100 kHz   |
| 38.4 kbps   |     | -107.5 |     | dBm  | Frequency deviation = 20 kHz, IF filter bandwidth = 100 kHz  |
| 50 kbps   |     | -106.5 |     | dBm  | Frequency deviation = 12.5 kHz, IF filter bandwidth = 100 kHz  |
| 100 kbps  |     | -105   |     | dBm  | Frequency deviation = 25 kHz, IF filter bandwidth = 100 kHz  |
| 150 kbps  |     | -104   |     | dBm  | Frequency deviation = 37.5 kHz, IF filter bandwidth = 150 kHz  |
| 200 kbps  |     | -103   |     | dBm  | Frequency deviation = 50 kHz, IF filter bandwidth = 200 kHz  |
| 300 kbps  |     | -100.5 |     | dBm  | Frequency deviation = 75 kHz, IF filter bandwidth = 300 kHz  |
| GFSK/GMSK INPUT SENSITIVITY, BER                    |     |        |     |      |  |
| 50 kbps   |     | -107.4 |     | dBm  | At BER = $1E-3$ , RF frequency = 954 MHz, LNA and PA matched separately <sup>1</sup><br>Frequency deviation = 25 kHz, IF filter bandwidth = 100 kHz                                    |
| 100 kbps  |     | -105   |     | dBm  | Frequency deviation = 50 kHz, IF filter bandwidth = 100 kHz  |
| 100 kbps  |     | -106   |     | dBm  | Frequency deviation = 40 kHz, IF filter bandwidth = 100 kHz  |
| 200 kbps  |     | -102   |     | dBm  | Frequency deviation = 100 kHz, IF filter bandwidth = 200 kHz   |
| 200 kbps  |     | -103.3 |     | dBm  | Frequency deviation = 80 kHz, IF filter bandwidth = 200 kHz  |
| 2FSK/MSK INPUT SENSITIVITY, PACKET ERROR RATE (PER) |     |        |     |      |  |
| 1.0 kbps  |     | -115.5 |     | dBm  | At PER = 1%, RF frequency = 915 MHz, LNA and PA matched separately, <sup>1</sup> packet length = 128 bits, packet mode<br>Frequency deviation = 4.8 kHz, IF filter bandwidth = 100 kHz |
| 9.6 kbps  |     | -110.6 |     | dBm  | Frequency deviation = 9.6 kHz, IF filter bandwidth = 100 kHz   |
| 38.4 kbps   |     | -106   |     | dBm  | Frequency deviation = 20 kHz, IF filter bandwidth = 100 kHz  |
| 50 kbps   |     | -104.3 |     | dBm  | Frequency deviation = 12.5 kHz, IF filter bandwidth = 100 kHz  |
| 100 kbps  |     | -102.6 |     | dBm  | Frequency deviation = 25 kHz, IF filter bandwidth = 100 kHz  |
| 150 kbps  |     | -101   |     | dBm  | Frequency deviation = 37.5 kHz, IF filter bandwidth = 150 kHz  |
| 200 kbps  |     | -99.1  |     | dBm  | Frequency deviation = 50 kHz, IF filter bandwidth = 200 kHz  |
| 300 kbps  |     | -97.9  |     | dBm  | Frequency deviation = 75 kHz, IF filter bandwidth = 300 kHz  |

| Parameter                             | Min | Typ     | Max | Unit | Test Conditions/Comments  |
|---------------------------------------|-----|---------|-----|------|---|
| GFSK/GMSK INPUT SENSITIVITY, PER      |     |         |     |      | At PER = 1%, RF frequency = 954 MHz, LNA and PA matched separately, packet length = 20 octets, packet mode  |
| 50 kbps                               |     | -104.1  |     | dBm  | Frequency deviation = 25 kHz, IF filter bandwidth = 100 kHz   |
| 100 kbps                              |     | -101.1  |     | dBm  | Frequency deviation = 50 kHz, IF filter bandwidth = 100 kHz   |
| 100 kbps                              |     | -102.2  |     | dBm  | Frequency deviation = 40 kHz, IF filter bandwidth = 100 kHz   |
| 200 kbps                              |     | -98.5   |     | dBm  | Frequency deviation = 100 kHz, IF filter bandwidth = 200 kHz  |
| 200 kbps                              |     | -99.5   |     | dBm  | Frequency deviation = 80 kHz, IF filter bandwidth = 200 kHz   |
| LNA AND MIXER, INPUT IP3              |     |         |     |      | Receiver LO frequency ( $f_{LO}$ ) = 914.8 MHz, $f_{SOURCE1} = f_{LO} + 0.4$ MHz, $f_{SOURCE2} = f_{LO} + 0.7$ MHz  |
| Minimum LNA Gain                      |     | -11.5   |     | dBm  |   |
| Maximum LNA Gain                      |     | -12.2   |     | dBm  |   |
| LNA AND MIXER, INPUT IP2              |     |         |     |      | Receiver LO frequency ( $f_{LO}$ ) = 920.8 MHz, $f_{SOURCE1} = f_{LO} + 1.1$ MHz, $f_{SOURCE2} = f_{LO} + 1.3$ MHz  |
| Maximum LNA Gain, Maximum Mixer Gain  |     | 18.5    |     | dBm  |   |
| Minimum LNA Gain, Minimum Mixer Gain  |     | 27      |     | dBm  |   |
| LNA AND MIXER, 1 dB COMPRESSION POINT |     |         |     |      | RF frequency = 915 MHz  |
| Maximum LNA Gain, Maximum Mixer Gain  |     | -21.9   |     | dBm  |   |
| Minimum LNA Gain, Minimum Mixer Gain  |     | -21     |     | dBm  |   |
| ADJACENT CHANNEL REJECTION            |     |         |     |      |   |
| CW Interferer                         |     |         |     |      | Desired signal at -87 dBm, CW interferer power level increased until BER = $62^{-6}$ , image calibrated   |
| ±200 kHz Offset                       |     | 38      |     | dB   | IF BW = 100 kHz, wanted signal: $f_{DEV} = 25$ kHz, DR = 50 kbps  |
| +400 kHz Offset                       |     | 51      |     | dB   |   |
| -400 kHz Offset                       |     | 33/39   |     | dB   | Uncalibrated/internal calibration; using an IF of 200 kHz, -400 kHz is the image frequency  |
| CO-CHANNEL REJECTION                  |     | -6      |     | dB   | Desired signal at -87 dBm, data rate = 50 kbps, frequency deviation = 25 kHz, RF frequency = 954 MHz  |
| BLOCKING                              |     |         |     |      |   |
| RF Frequency = 954 MHz                |     |         |     |      | Desired signal 3 dB above the input sensitivity level, data rate = 50 kbps, CW interferer power level increased until BER = $10^{-3}$ (see the Typical Performance Characteristics section for blocking at other offsets and IF bandwidths), image calibrated |
| ±2 MHz                                |     | 65      |     | dB   |   |
| ±10 MHz                               |     | 72      |     | dB   |   |
| ±60 MHz                               |     | 76      |     | dB   |   |
| IMAGE CHANNEL ATTENUATION             |     |         |     |      | Measured as image attenuation at the IF filter output, carrier wave interferer at 400 kHz below the channel frequency, 100 kHz IF filter bandwidth  |
| 954 MHz                               |     | 36/43.8 |     | dB   | Uncalibrated/calibrated   |

| Parameter                                       | Min | Typ             | Max | Unit     | Test Conditions/Comments   |
|---|-----|-----------------|-----|----------|--|
| AFC   |     |                 |     |          |  |
| Accuracy  |     | 1               |     | kHz      | Achievable pull-in range dependent on discriminator bandwidth and modulation                               |
| Maximum Pull-In Range                           |     |                 |     |          |  |
| 300 kHz IF Filter Bandwidth                     |     | ±150            |     | kHz      |  |
| 200 kHz IF Filter Bandwidth                     |     | ±100            |     | kHz      |  |
| 150 kHz IF Filter Bandwidth                     |     | ±75             |     | kHz      |  |
| 100 kHz IF Filter Bandwidth                     |     | ±50             |     | kHz      |  |
| PREAMBLE LENGTH                                 |     |                 |     |          | Minimum number of preamble bits to ensure the minimum PER across the full input power range (see Table 41) |
| AFC Off, AGC Lock on Sync Word Detection        |     |                 |     |          | Sync word length 24 bits   |
| 38.4 kbps                                       |     | 8               |     | Bits     | Sync word tolerance = 0  |
| 300 kbps  |     | 24              |     | Bits     | Sync word tolerance = 1  |
| AFC On, AFC and AGC Lock on Preamble Detection  |     |                 |     |          |  |
| 9.6 kbps  |     | 46              |     | Bits     |  |
| 38.4 kbps                                       |     | 44              |     | Bits     |  |
| 50 kbps   |     | 50              |     | Bits     |  |
| 100 kbps  |     | 52              |     | Bits     |  |
| 150 kbps  |     | 54              |     | Bits     |  |
| 200 kbps  |     | 58              |     | Bits     |  |
| 300 kbps  |     | 64              |     | Bits     |  |
| AFC On, AFC and AGC Lock on Sync Word Detection |     |                 |     |          | Sync word length 24 bits   |
| 38.4 kbps                                       |     | 14              |     | Bits     | Sync word tolerance = 0  |
| 300 kbps  |     | 32              |     | Bits     | Sync word tolerance = 1  |
| RSSI  |     |                 |     |          |  |
| Range at Input                                  |     | -97 to -26      |     | dBm      |  |
| Linearity                                       |     | ±2              |     | dB       |  |
| Absolute Accuracy                               |     | ±3              |     | dB       |  |
| SATURATION (MAXIMUM INPUT LEVEL)                |     |                 |     |          |  |
| 2FSK/GFSK/MSK/GMSK                              |     | 12              |     | dBm      |  |
| LNA INPUT IMPEDANCE                             |     |                 |     |          |  |
| Receive Mode                                    |     |                 |     |          |  |
| $f_{RF} = 915 \text{ MHz}$                      |     | 75.9 –<br>j32.3 |     | $\Omega$ |  |
| $f_{RF} = 954 \text{ MHz}$                      |     | 74.6 –<br>j32.5 |     | $\Omega$ |  |
| Transmit Mode                                   |     |                 |     |          |  |
| $f_{RF} = 915 \text{ MHz}$                      |     | 7.7 + j8.6      |     | $\Omega$ |  |
| $f_{RF} = 954 \text{ MHz}$                      |     | 7.7 + j8.9      |     | $\Omega$ |  |
| Rx SPURIOUS EMISSIONS <sup>2</sup>              |     |                 |     |          |  |
| Maximum < 1 GHz                                 |     | -66             |     | dBm      | At antenna input, unfiltered conductive  |
| Maximum > 1 GHz                                 |     | -62             |     | dBm      | At antenna input, unfiltered conductive  |

<sup>1</sup> Sensitivity for combined matching network case is typically 1 dB less than separate matching networks.

<sup>2</sup> Follow the matching and layout guidelines to achieve the relevant ARIB-T96/TELEC T-245 specifications.

## TIMING AND DIGITAL SPECIFICATIONS

Table 4.

| Parameter                           | Min                 | Typ      | Max                 | Unit | Test Conditions/Comments  |
|-------------------------------------|---------------------|----------|---------------------|------|---|
| Rx AND Tx TIMING PARAMETERS         |                     |          |                     |      |   |
| PHY_ON to PHY_RX (on CMD_PHY_RX)    |                     | 300      |                     | μs   | See the State Transition and Command Timing section for more details<br>Includes VCO calibration and synthesizer settling |
| PHY_ON to PHY_TX (on CMD_PHY_TX)    |                     | 296      |                     | μs   | Includes VCO calibration and synthesizer settling, does not include PA ramp-up  |
| LOGIC INPUTS                        |                     |          |                     |      |   |
| Input High Voltage, $V_{INH}$       | $0.7 \times V_{DD}$ |          |                     | V    |   |
| Input Low Voltage, $V_{INL}$        |                     |          | $0.2 \times V_{DD}$ | V    |   |
| Input Current, $I_{INH}/I_{INL}$    |                     |          | ±1                  | μA   |   |
| Input Capacitance, $C_{IN}$         |                     |          | 10                  | pF   |   |
| LOGIC OUTPUTS                       |                     |          |                     |      |   |
| Output High Voltage, $V_{OH}$       | $V_{DD} - 0.4$      |          |                     | V    | $I_{OH} = 500 \mu A$  |
| Output Low Voltage, $V_{OL}$        |                     |          | 0.4                 | V    | $I_{OL} = 500 \mu A$  |
| GPIO Rise/Fall                      |                     |          | 5                   | ns   |   |
| GPIO Load                           |                     |          | 10                  | pF   |   |
| Maximum Output Current              |                     | 5        |                     | mA   |   |
| ATB OUTPUTS                         |                     |          |                     |      |   |
| ADCIN_ATB3 and ATB4                 |                     |          |                     |      |   |
| Output High Voltage, $V_{OH}$       |                     | 1.8      |                     | V    |   |
| Output Low Voltage, $V_{OL}$        |                     | 0.1      |                     | V    |   |
| Maximum Output Current              |                     | 0.5      |                     | mA   |   |
| XOSC32KP_GP5_ATB1 and XOSC32KN_ATB2 |                     |          |                     |      |   |
| Output High Voltage, $V_{OH}$       |                     | $V_{DD}$ |                     | V    |   |
| Output Low Voltage, $V_{OL}$        |                     | 0.1      |                     | V    |   |
| Maximum Output Current              |                     | 5        |                     | mA   |   |
|                                     |                     |          |                     |      | Used for external PA and LNA control  |

## AUXILIARY BLOCK SPECIFICATIONS

Table 5.

| Parameter                        | Min                 | Typ      | Max                | Unit             | Test Conditions/Comments  |
|----------------------------------|---------------------|----------|--------------------|------------------|---|
| 32 kHz RC OSCILLATOR             |                     |          |                    |                  |   |
| Frequency                        |                     | 32.768   |                    | kHz              | After calibration   |
| Frequency Accuracy               |                     | 1.5      |                    | %                | After calibration at 25°C   |
| Frequency Drift                  |                     |          |                    |                  |   |
| Temperature Coefficient          |                     | 0.14     |                    | %/°C             |   |
| Voltage Coefficient              |                     | 4        |                    | %/V              |   |
| Calibration Time                 |                     | 1.25     |                    | ms               |   |
| 32 kHz XTAL OSCILLATOR           |                     |          |                    |                  |   |
| Frequency                        |                     | 32.768   |                    | kHz              |   |
| Start-Up Time                    |                     | 630      |                    | ms               | 32.768 kHz crystal with 7 pF load capacitance                                     |
| WAKE UP CONTROLLER (WUC)         |                     |          |                    |                  |   |
| Hardware Timer                   |                     |          |                    |                  |   |
| Wake-Up Period                   | $61 \times 10^{-6}$ |          | $1.31 \times 10^5$ | sec              |   |
| Firmware Timer                   |                     |          |                    |                  |   |
| Wake-Up Period                   | 1                   |          | $2^{16}$           | Hardware periods | Firmware counter counts of the number of hardware wake-ups, resolution of 16 bits |
| ADC                              |                     |          |                    |                  |   |
| Resolution                       |                     | 8        |                    | Bits             | Maximum input voltage at ADCIN_ATB3 is 1.8 V                                      |
| DNL                              |                     | $\pm 1$  |                    | LSB              | $V_{DD}$ from 2.2 V to 3.6 V, $T_A = 25^\circ\text{C}$                            |
| INL                              |                     | $\pm 1$  |                    | LSB              | $V_{DD}$ from 2.2 V to 3.6 V, $T_A = 25^\circ\text{C}$                            |
| Conversion Time                  |                     | 1        |                    | $\mu\text{s}$    |   |
| Input Capacitance                |                     | 12.4     |                    | pF               |   |
| BATTERY MONITOR                  |                     |          |                    |                  |   |
| Absolute Accuracy                |                     | $\pm 45$ |                    | mV               |   |
| Alarm Voltage Setpoint           | 1.7                 |          | 2.7                | V                |   |
| Alarm Voltage Step Size          |                     | 62       |                    | mV               | 5-bit resolution  |
| Start-Up Time                    |                     |          | 100                | $\mu\text{s}$    |   |
| Current Consumption              |                     | 30       |                    | $\mu\text{A}$    | When enabled  |
| TEMPERATURE SENSOR               |                     |          |                    |                  |   |
| Range                            | -40                 |          | +85                | °C               |   |
| Resolution                       |                     | 0.3      |                    | °C               | With averaging  |
| Accuracy of Temperature Readback |                     | $+7/-4$  |                    | °C               | Overtemperature range -40°C to +85°C (calibrated at +25°C)                        |
|                                  |                     | $\pm 4$  |                    | °C               | Overtemperature range -36°C to +84°C (calibrated at +25°C)                        |
|                                  |                     | $\pm 3$  |                    | °C               | Overtemperature range -12°C to +79°C (calibrated at +25°C)                        |

## GENERAL SPECIFICATIONS

Table 6.

| Parameter                         | Min | Typ   | Max | Unit | Test Conditions/Comments  |
|-----------------------------------|-----|-------|-----|------|---|
| TEMPERATURE RANGE, T <sub>A</sub> | -40 |       | +85 | °C   |   |
| VOLTAGE SUPPLY<br>V <sub>DD</sub> | 2.2 |       | 3.6 | V    | Applied to VDDBAT1 and VDDBAT2  |
| TRANSMIT CURRENT CONSUMPTION      |     |       |     |      | In the PHY_TX state, single-ended PA matched to 50 Ω, differential PA matched to 100 Ω, separate single-ended PA and LNA match, combined differential PA and LNA match      |
| Single-Ended PA, 915 MHz          |     |       |     |      |   |
| -10 dBm                           |     | 10.3  |     | mA   |   |
| 0 dBm                             |     | 13.3  |     | mA   |   |
| 10 dBm                            |     | 24.1  |     | mA   |   |
| 13.5 dBm                          |     | 32.1  |     | mA   |   |
| Differential PA, 915 MHz          |     |       |     |      |   |
| -10 dBm                           |     | 9.3   |     | mA   |   |
| 0 dBm                             |     | 12    |     | mA   |   |
| 5 dBm                             |     | 16.7  |     | mA   |   |
| 10 dBm                            |     | 28    |     | mA   |   |
| POWER MODES                       |     |       |     |      |   |
| PHY_SLEEP (Deep Sleep Mode 2)     |     | 0.18  |     | μA   | Sleep mode, wake-up configuration values (BBRAM) not retained   |
| PHY_SLEEP (Deep Sleep Mode 1)     |     | 0.33  |     | μA   | Sleep mode, wake-up configuration values (BBRAM) retained   |
| PHY_SLEEP (RCO Wake Mode)         |     | 0.75  |     | μA   | WUC active, RC oscillator running, wake-up configuration values retained (BBRAM)  |
| PHY_SLEEP (XTO Wake Mode)         |     | 1.28  |     | μA   | WUC active, 32 kHz crystal running, wake-up configuration values retained (BBRAM)   |
| PHY_OFF                           |     | 1     |     | mA   | Device in PHY_OFF state, 26 MHz oscillator running, digital and synthesizer regulators active, all register values retained   |
| PHY_ON                            |     | 1     |     | mA   | Device in PHY_ON state, 26 MHz oscillator running, digital, synthesizer, VCO, and RF regulators active, baseband filter calibration performed, all register values retained |
| PHY_RX (ADC, AGC Off)             |     | 11.9  |     | mA   | Device in PHY_Rx state, ADC off, manual AGC gain  |
| PHY_RX (ADC, AGC On)              |     | 12.8  |     | mA   | Device in PHY_RX state  |
| SMART WAKE MODE                   |     |       |     |      | Average current consumption   |
|                                   |     | 21.78 |     | μA   | Autonomous reception every 1 sec, with receive dwell time of 1.25 ms, using RC oscillator, data rate = 38.4 kbps  |
|                                   |     | 11.75 |     | μA   | Autonomous reception every 1 sec, with receive dwell time of 0.5 ms, using RC oscillator, data rate = 300 kbps  |

**TIMING SPECIFICATIONS**

$V_{DD} = V_{DDBAT1} = V_{DDBAT2} = 2.2\text{ V to }3.6\text{ V}$ ,  $V_{GND} = GND = 0\text{ V}$ ,  $T_A = T_{MIN}$  to  $T_{MAX}$ , unless otherwise noted.

**Table 7. SPI Interface Timing**

| Parameter | Limit | Unit              | Test Conditions/Comments   |
|-----------|-------|-------------------|--|
| $t_2$     | 85    | ns min            | $\overline{CS}$ low to SCLK setup time   |
| $t_3$     | 85    | ns min            | SCLK high time   |
| $t_4$     | 85    | ns min            | SCLK low time  |
| $t_5$     | 170   | ns min            | SCLK period  |
| $t_6$     | 10    | ns max            | SCLK falling edge to MISO delay  |
| $t_7$     | 5     | ns min            | MOSI to SCLK rising edge setup time  |
| $t_8$     | 5     | ns min            | MOSI to SCLK rising edge hold time   |
| $t_9$     | 85    | ns min            | SCLK falling edge to $\overline{CS}$ hold time   |
| $t_{11}$  | 270   | ns min            | $\overline{CS}$ high time  |
| $t_{12}$  | 310   | $\mu\text{s typ}$ | $\overline{CS}$ low to MISO high wake-up time, 26 MHz crystal with 7 pF load capacitance, $T_A = 25^\circ\text{C}$ |
| $t_{13}$  | 20    | ns max            | SCLK rise time   |
| $t_{14}$  | 20    | ns max            | SCLK fall time   |

**Timing Diagrams**

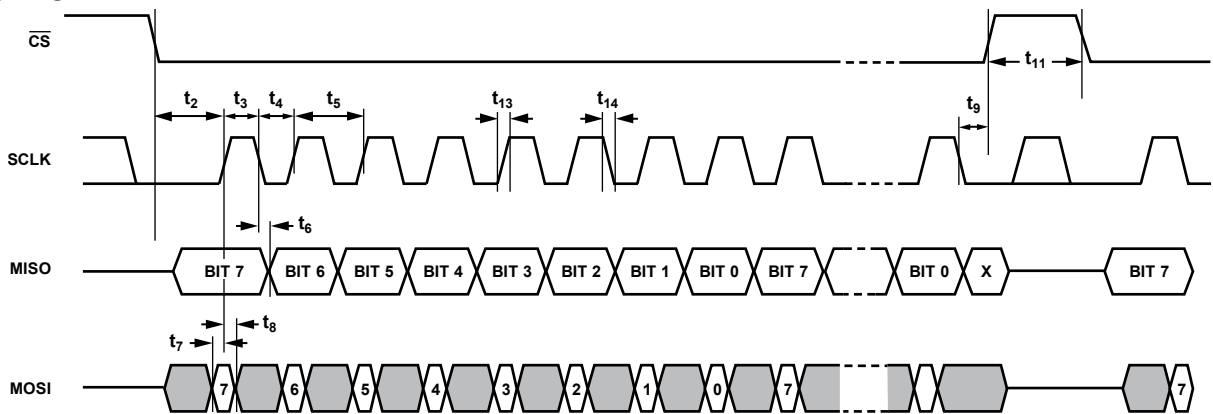


Figure 2. SPI Interface Timing

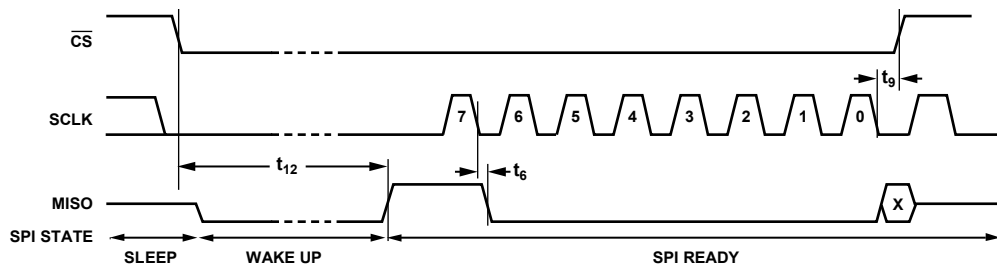


Figure 3. PHY\_SLEEP to SPI Ready State Timing (SPI Ready  $t_{12}$  After Falling Edge of  $\overline{CS}$ )

## ABSOLUTE MAXIMUM RATINGS

$T_A = 25^\circ\text{C}$ , unless otherwise noted. Connect the exposed paddle of the LFCSP package to ground.

Table 8.

| Parameter                             | Rating            |
|---------------------------------------|-------------------|
| VDDBAT1, VDDBAT2 to GND               | -0.3 V to +3.96 V |
| Operating Temperature Range           |                   |
| Industrial                            | -40°C to +85°C    |
| Storage Temperature Range             | -65°C to +125°C   |
| Maximum Junction Temperature          | 150°C             |
| LFCSP $\theta_{JA}$ Thermal Impedance | 26°C/W            |
| Reflow Soldering                      |                   |
| Peak Temperature                      | 260°C             |
| Time at Peak Temperature              | 40 sec            |

Stresses above those listed under Absolute Maximum Ratings may cause permanent damage to the device. This is a stress rating only; functional operation of the device at these or any other conditions above those indicated in the operational section of this specification is not implied. Exposure to absolute maximum rating conditions for extended periods may affect device reliability.

This device is a high performance, RF integrated circuit with an ESD rating of <2 kV; it is ESD sensitive. Take proper precautions for handling and assembly.

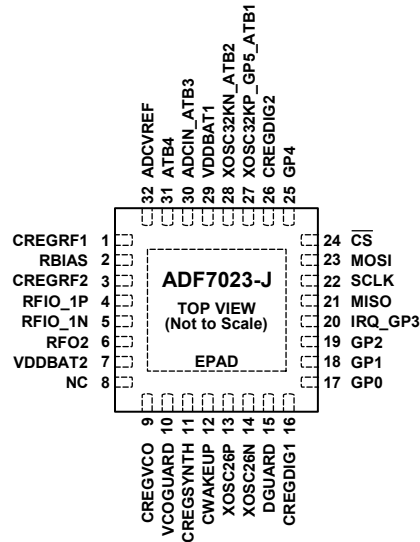
### ESD CAUTION



**ESD (electrostatic discharge) sensitive device.** Charged devices and circuit boards can discharge without detection. Although this product features patented or proprietary protection circuitry, damage may occur on devices subjected to high energy ESD. Therefore, proper ESD precautions should be taken to avoid performance degradation or loss of functionality.



# PIN CONFIGURATION AND FUNCTION DESCRIPTIONS



NOTES  
 1. NC = NO CONNECT. DO NOT CONNECT TO THIS PIN.  
 2. CONNECT EXPOSED PAD TO GND.

Figure 4. Pin Configuration

Table 9. Pin Function Descriptions

| Pin No. | Mnemonic  | Description  |
|---------|-----------|--|
| 1       | CREGRF1   | Regulator Voltage for RF. A 220 nF capacitor should be placed between this pin and ground for regulator stability and noise rejection.   |
| 2       | RBIAS     | External Bias Resistor. A 36 kΩ resistor with 2% tolerance should be used.   |
| 3       | CREGRF2   | Regulator Voltage for RF. A 220 nF capacitor should be placed between this pin and ground for regulator stability and noise rejection.   |
| 4       | RFIO_1P   | LNA Positive Input in Receive Mode. PA positive output in transmit mode with differential PA.  |
| 5       | RFIO_1N   | LNA Negative Input in Receive Mode. PA negative output in transmit mode with differential PA.  |
| 6       | RFO2      | Single-Ended PA Output.  |
| 7       | VDDBAT2   | Power Supply Pin Two. Decoupling capacitors to the ground plane should be placed as close as possible to this pin.   |
| 8       | NC        | No Connect.  |
| 9       | CREGVCO   | Regulator Voltage for the VCO. A 220 nF capacitor should be placed between this pin and ground for regulator stability and noise rejection.  |
| 10      | VCOGUARD  | Guard/Screen for VCO. This pin should be connected to Pin 9.   |
| 11      | CREGSYNTH | Regulator Voltage for the Synthesizer. A 220 nF capacitor should be placed between this pin and ground for regulator stability and noise rejection.  |
| 12      | CWAKEUP   | External Capacitor for Wake-Up Control. A 150 nF capacitor should be placed between this pin and ground.   |
| 13      | XOSC26P   | The 26 MHz reference crystal should be connected between this pin and XOSC26N. If an external reference is connected to XOSC26N, this pin should be left open circuited.   |
| 14      | XOSC26N   | The 26 MHz reference crystal should be connected between this pin and XOSC26P. Alternatively, an external 26 MHz reference signal can be ac-coupled to this pin.   |
| 15      | DGUARD    | Internal Guard/Screen for the Digital Circuitry. A 220 nF capacitor should be placed between this pin and ground.  |
| 16      | CREGDIG1  | Regulator Voltage for Digital Section of the Chip. A 220 nF capacitor should be placed between this pin and ground for regulator stability and noise rejection. This can be achieved by shorting it to Pin 15 and sharing the capacitor to ground. |
| 17      | GP0       | Digital GPIO Pin 0.  |
| 18      | GP1       | Digital GPIO Pin 1.  |
| 19      | GP2       | Digital GPIO Pin 2.  |
| 20      | IRQ_GP3   | Interrupt Request, Digital GPIO Test Pin 3. An RC filter should be placed between this pin and the host processor. Recommended values are R = 1.1 kΩ and C = 1.5 nF.   |

| Pin No. | Mnemonic               | Description  |
|---------|------------------------|--|
| 21      | MISO                   | Serial Port Master In/Slave Out.   |
| 22      | SCLK                   | Serial Port Clock.   |
| 23      | MOSI                   | Serial Port Master Out/Slave In.   |
| 24      | $\overline{\text{CS}}$ | Chip Select (Active Low). A pull-up resistor of 100 k $\Omega$ to V <sub>DD</sub> is recommended to prevent the host processor from inadvertently waking the <a href="#">ADF7023-J</a> from sleep. |
| 25      | GP4                    | Digital GPIO Test Pin 4.   |
| 26      | CREGDIG2               | Regulator Voltage for Digital Section of the Chip. A 220 nF capacitor should be placed between this pin and ground for regulator stability and noise rejection.                                    |
| 27      | XOSC32KP_GP5_ATB1      | Digital GPIO Test Pin 5. A 32 kHz watch crystal can be connected between this pin and XOSC32KN_ATB2. Analog Test Pin 1.  |
| 28      | XOSC32KN_ATB2          | A 32 kHz watch crystal can be connected between this pin and XOSC32KP_GP5_ATB1. Analog Test Pin 2.   |
| 29      | VDDBAT1                | Digital Power Supply Pin One. Decoupling capacitors to the ground plane should be placed as close as possible to this pin.   |
| 30      | ADCIN_ATB3             | Analog-to-Digital Converter Input. Can be configured as an external PA enable signal. Analog Test Pin 3.   |
| 31      | ATB4                   | Analog Test Pin 4. Can be configured as an external LNA enable signal.   |
| 32      | ADCVREF                | ADC Reference Output. A 220 nF capacitor should be placed between this pin and ground for adequate noise rejection.  |
|         | EPAD                   | The exposed package paddle must be connected to GND.   |

# TYPICAL PERFORMANCE CHARACTERISTICS

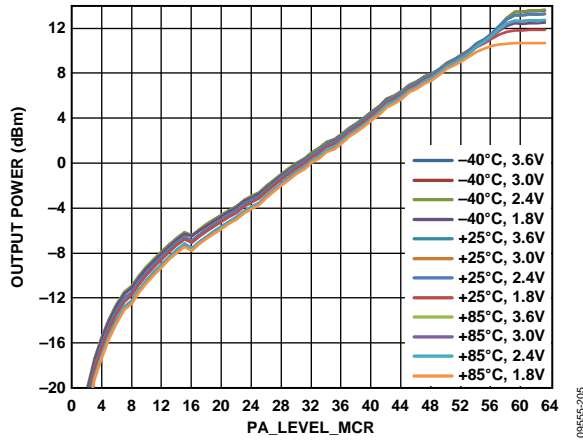


Figure 5. Single-Ended PA at 915 MHz: Output Power vs. PA\_LEVEL\_MCR Setting, Temperature, and V<sub>DD</sub> (Minimum Recommended V<sub>DD</sub> = 2.2 V, 1.8 V Operation Shown for Robustness)

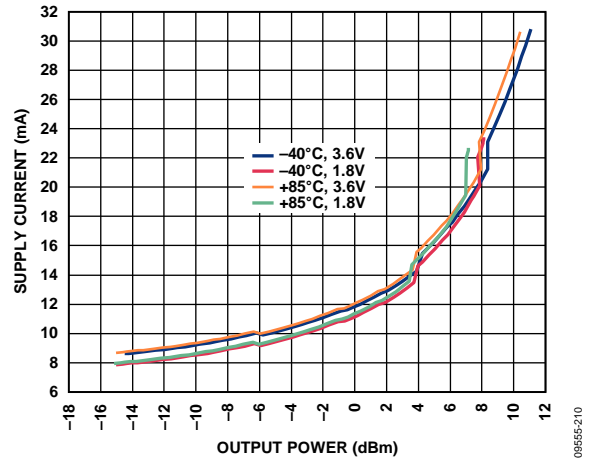


Figure 8. Differential PA at 915 MHz: Supply Current vs. Output Power, Temperature, and V<sub>DD</sub> (Minimum Recommended V<sub>DD</sub> = 2.2 V, 1.8 V Operation Shown for Robustness)

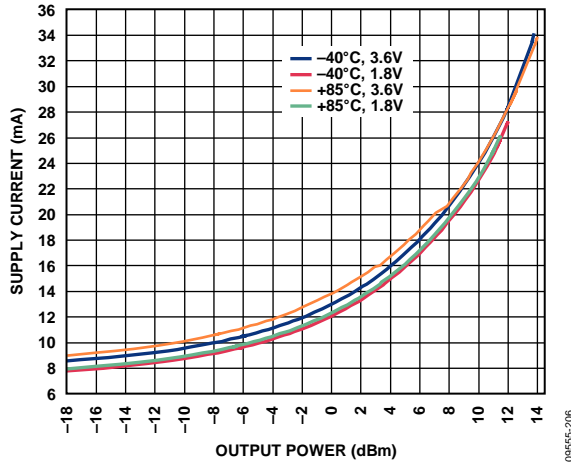


Figure 6. Single-Ended PA at 915 MHz: Supply Current vs. Output Power, Temperature, and V<sub>DD</sub> (Minimum Recommended V<sub>DD</sub> = 2.2 V, 1.8 V Operation Shown for Robustness)

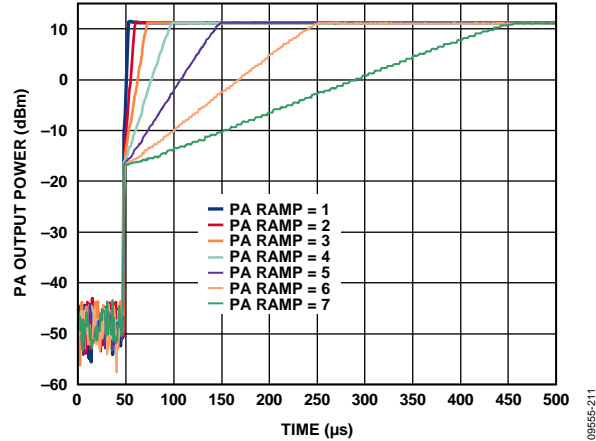


Figure 9. PA Ramp-Up at Data Rate = 38.4 kbps for Each PA\_RAMP Setting, Differential PA

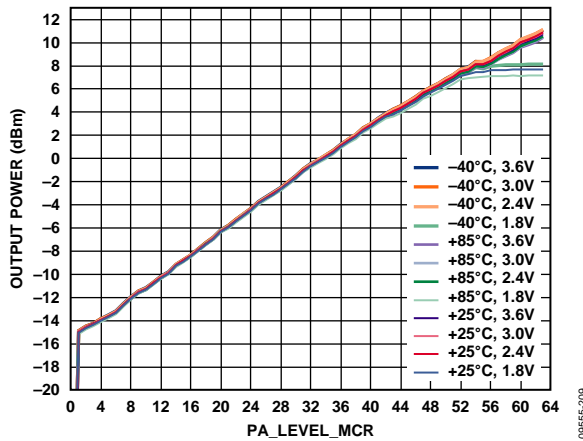


Figure 7. Differential PA at 915 MHz: Output Power vs. PA\_LEVEL\_MCR Setting, Temperature, and V<sub>DD</sub> (Minimum Recommended V<sub>DD</sub> = 2.2 V, 1.8 V Operation Shown for Robustness)

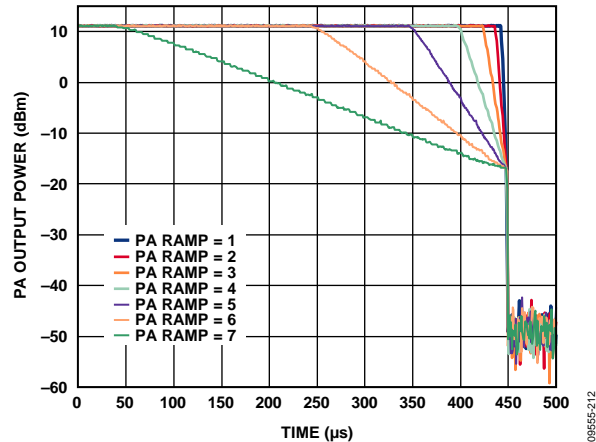


Figure 10. PA Ramp-Down at Data Rate = 38.4 kbps for Each PA\_RAMP Setting, Differential PA

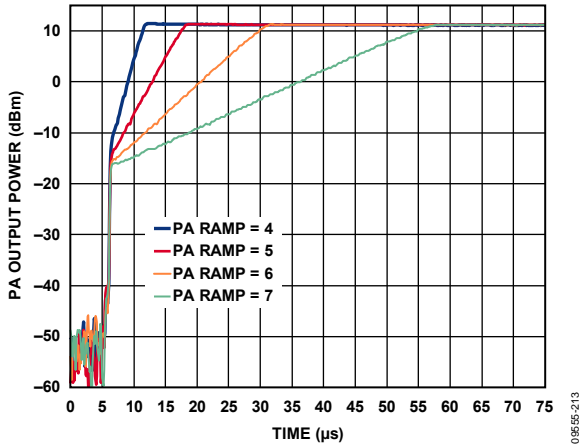


Figure 11. PA Ramp-Up at Data Rate = 300 kbps for Each PA\_RAMP Setting, Differential PA

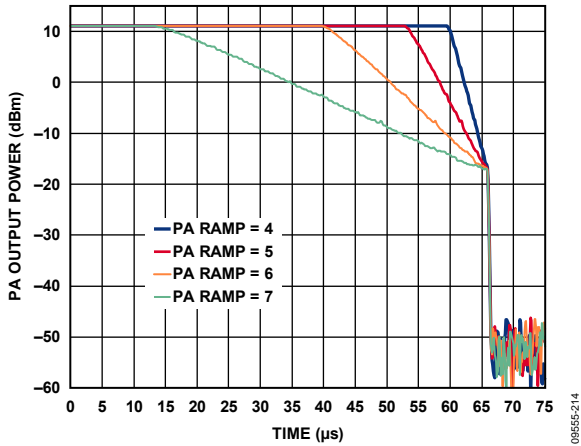


Figure 12. PA Ramp-Down at Data Rate = 300 kbps for Each PA\_RAMP Setting, Differential PA

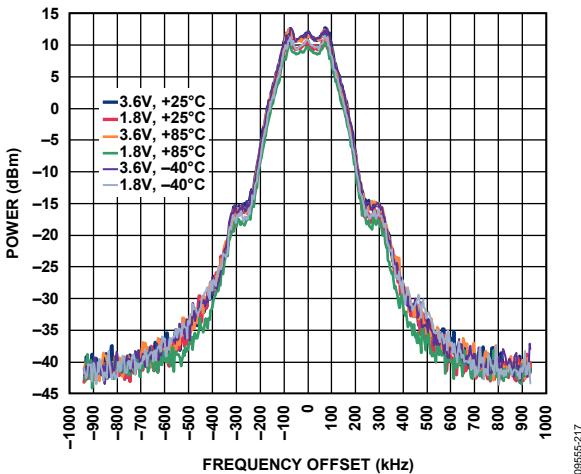


Figure 13. Transmit Spectrum at 928 MHz, GFSK, Data Rate = 300 kbps, Frequency Deviation = 75 kHz (Minimum Recommended  $V_{DD}$  = 2.2 V, 1.8 V Operation Shown for Robustness)

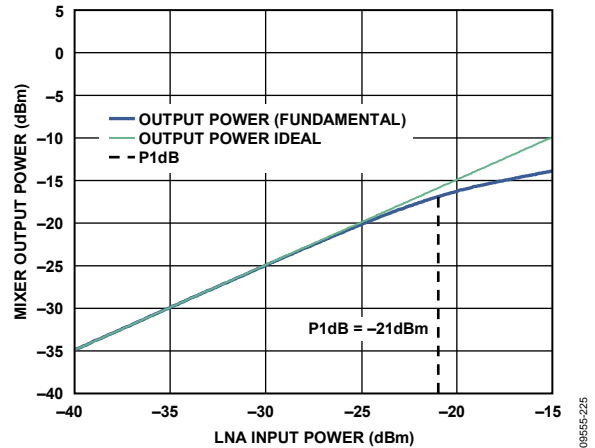


Figure 14. LNA/Mixer 1 dB Compression Point,  $V_{DD}$  = 3.0 V, Temperature = 25°C, RF Frequency = 915 MHz, LNA Gain = Low, Mixer Gain = Low

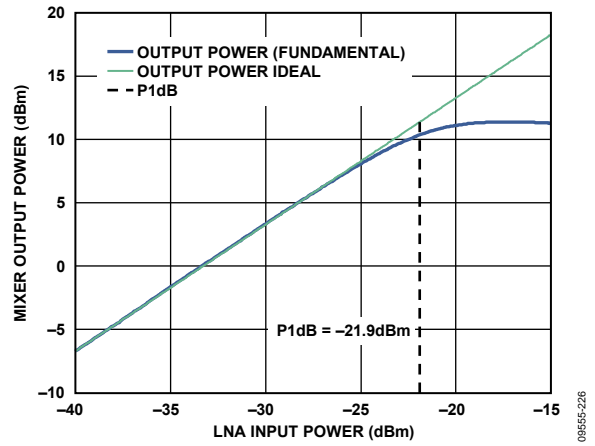


Figure 15. LNA/Mixer 1 dB Compression Point,  $V_{DD}$  = 3.0 V, Temperature = 25°C, RF Frequency = 915 MHz, LNA Gain = High, Mixer Gain = High

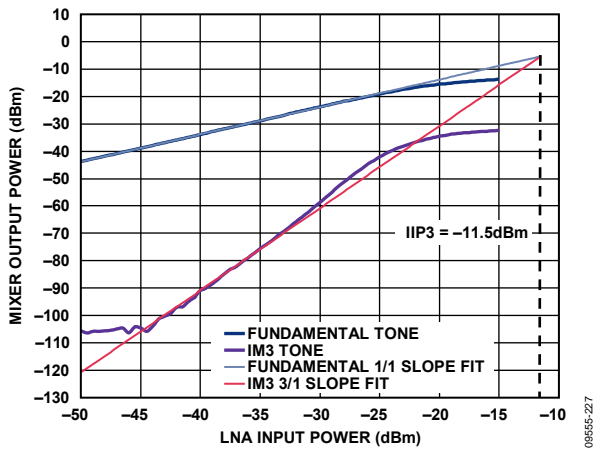


Figure 16. LNA/Mixer IIP3,  $V_{DD}$  = 3.0 V, Temperature = 25°C, RF Frequency = 915 MHz, LNA Gain = Low, Mixer Gain = Low, Source 1 Frequency = (915 + 0.4) MHz, Source 2 Frequency = (915 + 0.7) MHz

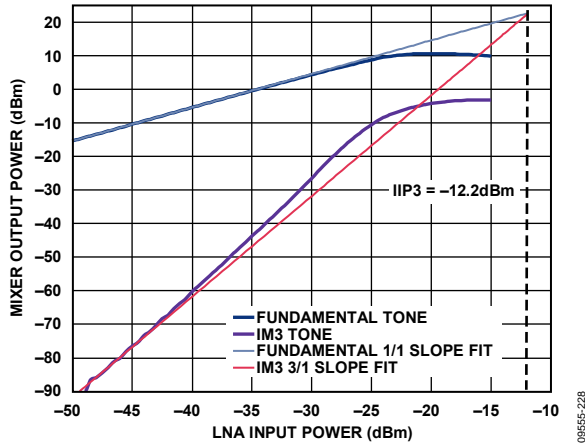


Figure 17. LNA/Mixer IIP3,  $V_{DD} = 3.0\text{ V}$ , Temperature = 25°C, RF Frequency = 915 MHz, LNA Gain = High, Mixer Gain = High, Source 1 Frequency = (915 + 0.4) MHz, Source 2 Frequency = (915 + 0.7) MHz

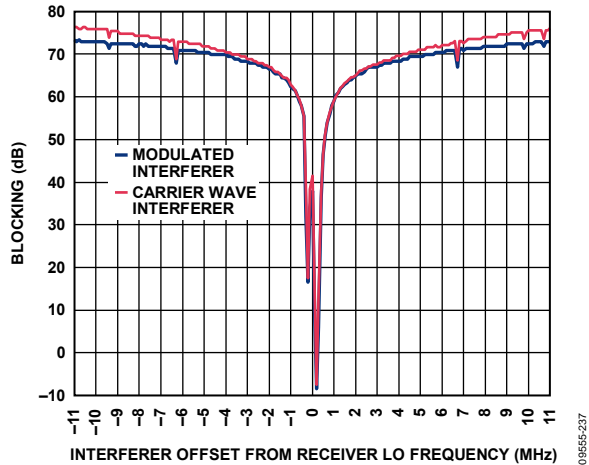


Figure 20. Receiver Wideband Blocking at 915 MHz, Data Rate = 38.4 kbps

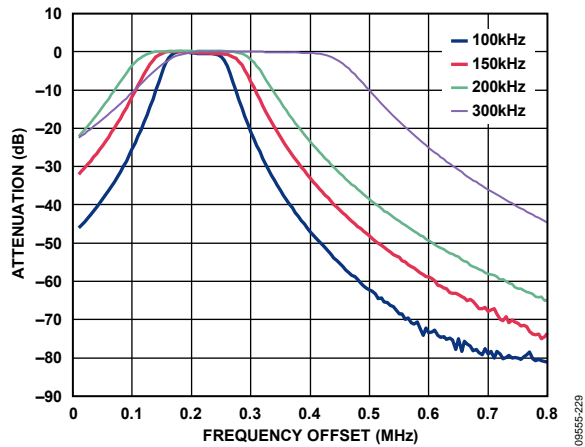


Figure 18. IF Filter Profile vs. IF Bandwidth,  $V_{DD} = 3.0\text{ V}$ , Temperature = 25°C

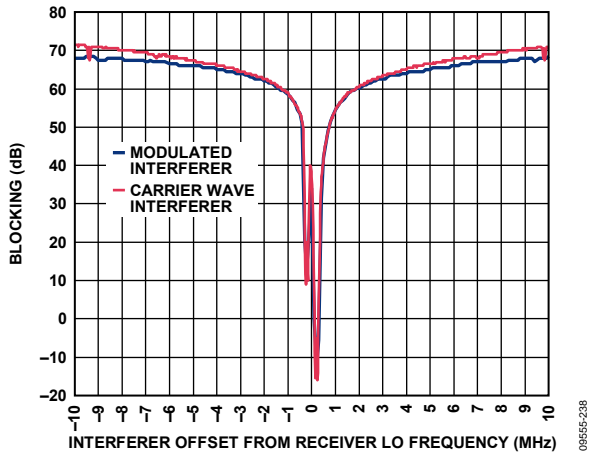


Figure 21. Receiver Wideband Blocking at 915 MHz, Data Rate = 100 kbps

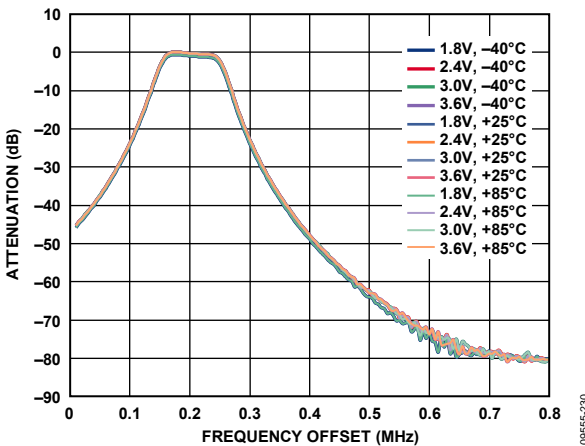


Figure 19. IF Filter Profile vs.  $V_{DD}$  and Temperature, 100 kHz IF Filter Bandwidth (Minimum Recommended  $V_{DD} = 2.2\text{ V}$ , 1.8 V Operation Shown for Robustness)

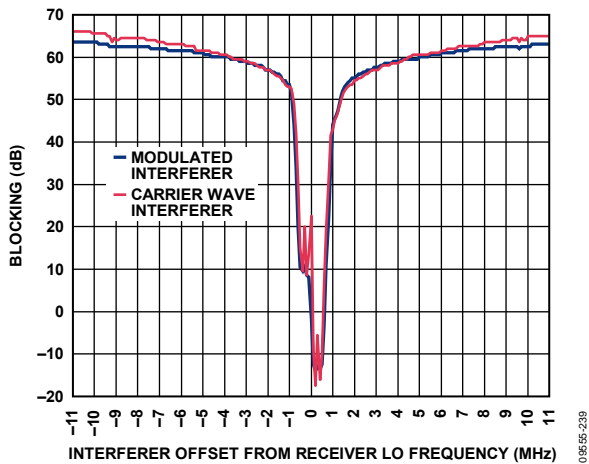


Figure 22. Receiver Wideband Blocking at 915 MHz, Data Rate = 300 kbps

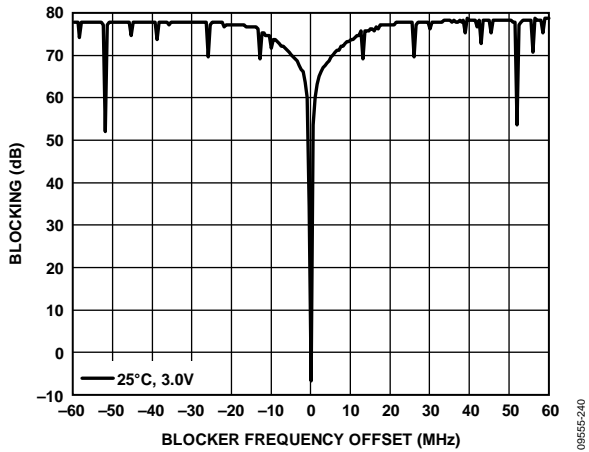


Figure 23. Receiver Wideband Blocking at 954 MHz, Data Rate = 50 kbps, Frequency Deviation = 25 kHz, Carrier Wave Interferer,  $P_{WANTED} = P_{SENS} + 3 \text{ dB}$

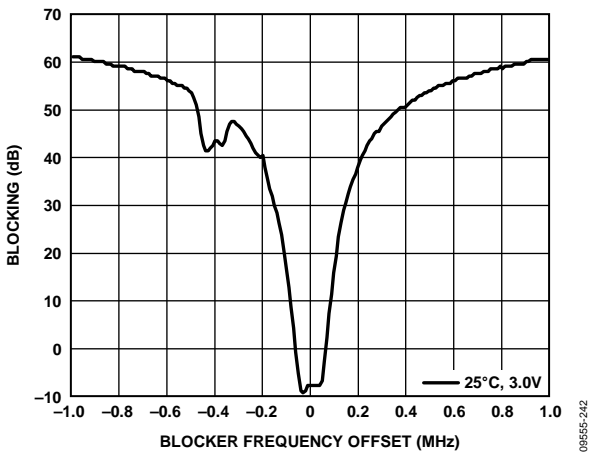


Figure 24. Receiver Close-In Blocking at 954 MHz, Data Rate = 50 kbps, IF Filter Bandwidth = 100 kHz, Image Calibrated, CW Interferer,  $P_{WANTED} = P_{SENS} + 3 \text{ dB}$

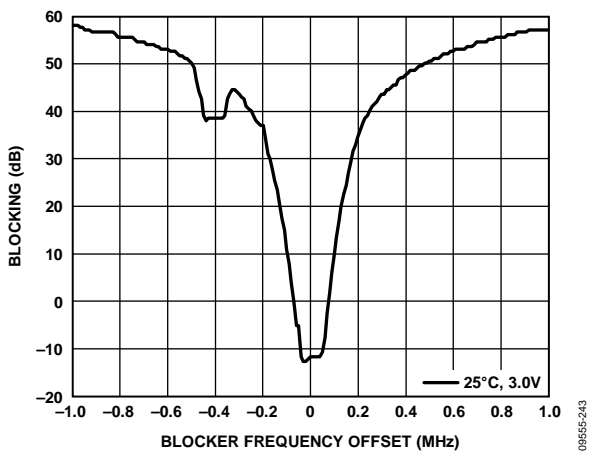


Figure 25. Receiver Close-In Blocking at 954 MHz, Data Rate = 100 kbps, IF Filter Bandwidth = 100 kHz, Image Calibrated, CW Interferer,  $P_{WANTED} = P_{SENS} + 3 \text{ dB}$

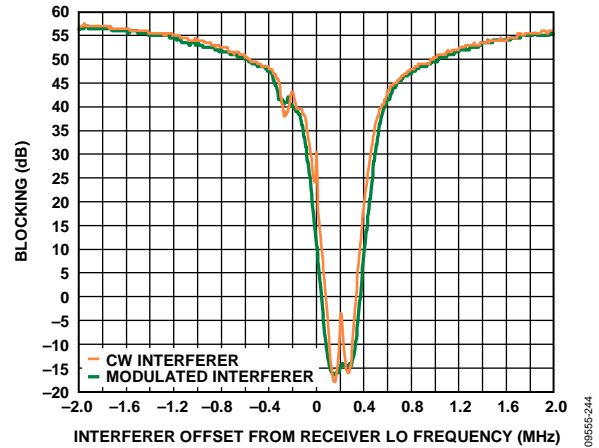


Figure 26. Receiver Close-In Blocking at 915 MHz, Data Rate = 150 kbps, IF Filter Bandwidth = 150 kHz, Image Calibrated

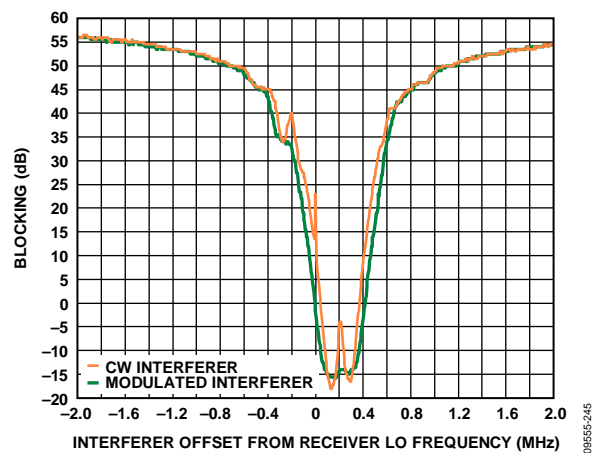


Figure 27. Receiver Close-In Blocking at 915 MHz, Data Rate = 200 kbps, IF Filter Bandwidth = 200 kHz, Image Calibrated

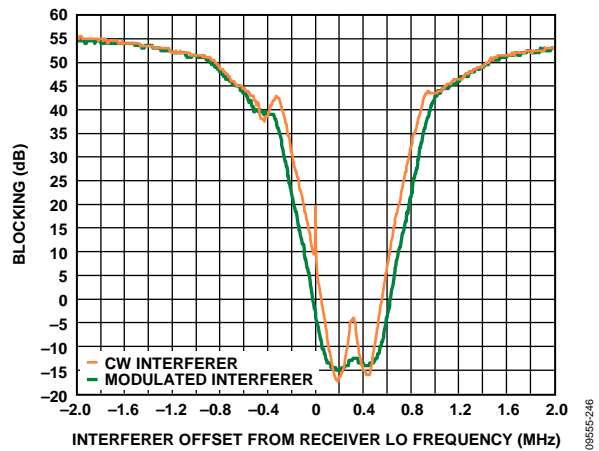


Figure 28. Receiver Close-In Blocking at 915 MHz, Data Rate = 300 kbps, IF Filter Bandwidth = 300 kHz, Image Calibrated

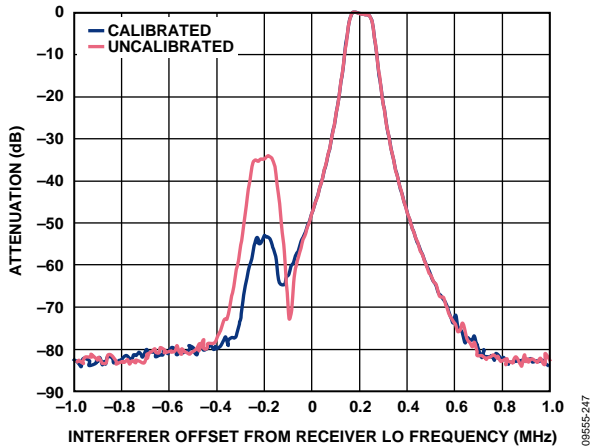


Figure 29. Image Attenuation with Calibrated and Uncalibrated Images, 915 MHz, IF Filter Bandwidth = 100 kHz,  $V_{DD} = 3.0$  V, Temperature = 25°C

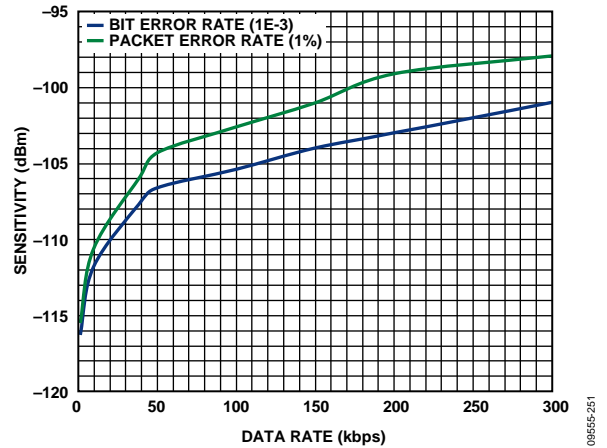


Figure 32. Bit Error Rate Sensitivity (at BER =  $1E-3$ ) and Packet Error Rate Sensitivity (at PER = 1%) vs. Data Rate, GFSK,  $V_{DD} = 3.0$  V, Temperature = 25°C

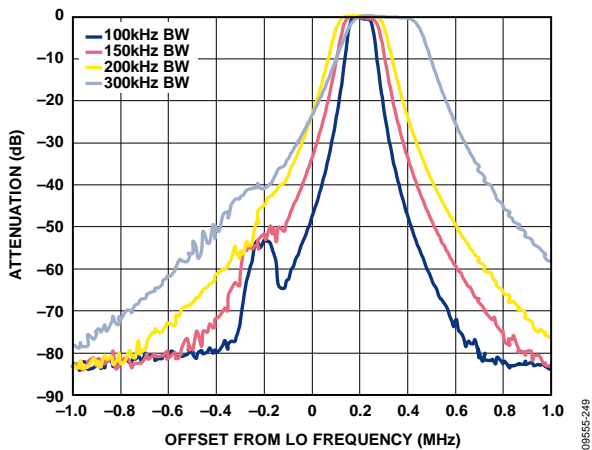


Figure 30. IF Filter Profile with Calibrated Image vs. IF Filter Bandwidth, 921 MHz,  $V_{DD} = 3.0$  V, Temperature = 25°C

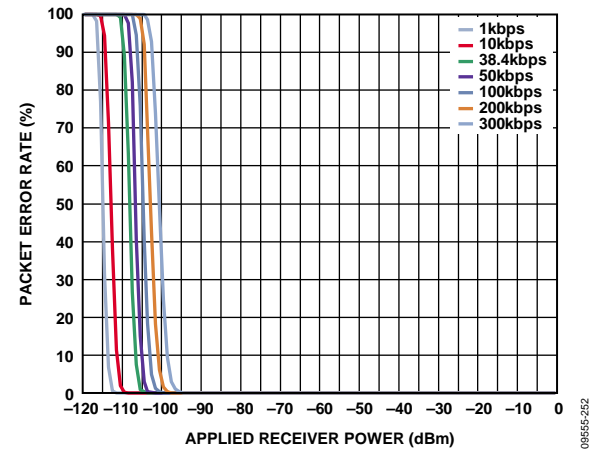


Figure 33. Packet Error Rate vs. RF Input Power and Data Rate, FSK/GFSK, 928 MHz, Preamble Length = 64 Bits,  $V_{DD} = 3.0$  V, Temperature = 25°C

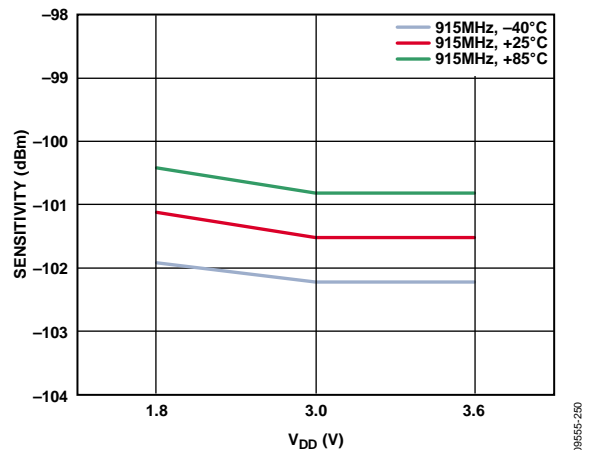


Figure 31. Receiver Sensitivity (Bit Error Rate at  $1E-3$ ) vs.  $V_{DD}$ , Temperature, and RF Frequency, Data Rate = 300 kbps, GFSK, Frequency Deviation = 75 kHz, IF Bandwidth = 300 kHz

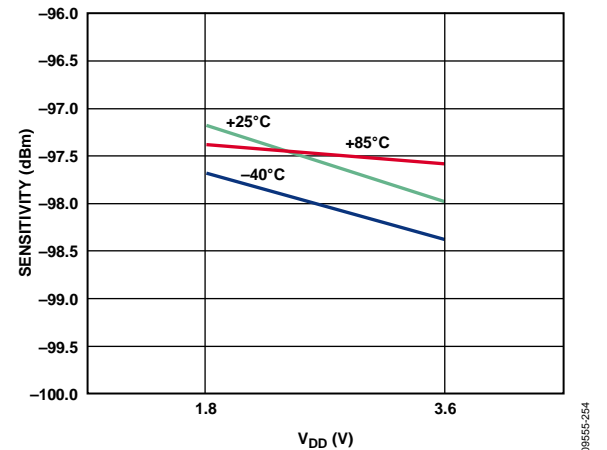


Figure 34. Receiver Sensitivity (Packet Error Rate at 1%) vs.  $V_{DD}$ , Temperature, and RF Frequency, Data Rate = 300 kbps, GFSK, Frequency Deviation = 75 kHz, IF Bandwidth = 300 kHz

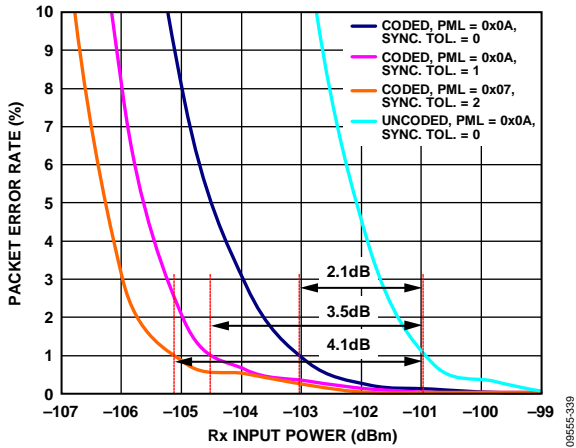


Figure 35. Receiver PER Using Reed Solomon (RS) Coding; RF Frequency = 928 MHz, GFSK, Data Rate = 100 kbps, Frequency Deviation = 50 kHz, Packet Length = 28 Bytes (Uncoded); Reed Solomon Configuration:  $n = 38$ ,  $k = 28$ ,  $t = 5$ , PML = Preamble Match Level Register

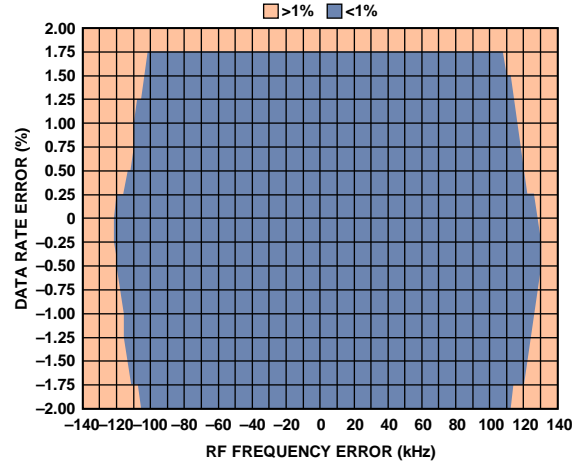


Figure 38. AFC On: Packet Error Rate vs. RF Frequency Error and Data Rate Error, AFC On, Data Rate = 300 kbps, Frequency Deviation = 75 kHz, GFSK, AGC\_LOCK\_MODE = Lock After Preamble

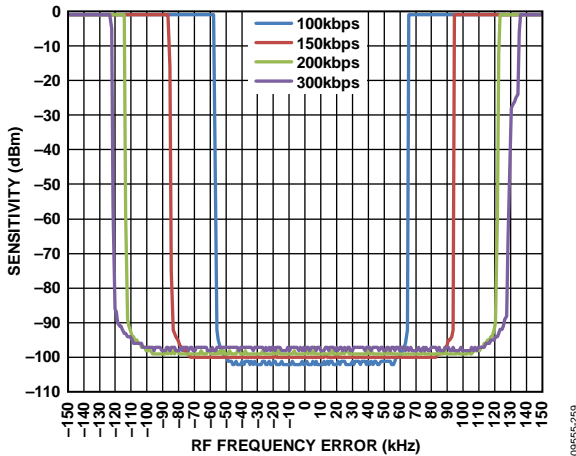


Figure 36. AFC On: Receiver Sensitivity (at PER = 1%) vs. RF Frequency Error, GFSK, 915 MHz, AFC Enabled ( $K_i = 7$ ,  $K_p = 3$ ), AFC Mode = Lock After Preamble, IF Bandwidth = 100 kHz (at 100 kbps), 150 kHz (at 150 kbps), 200 kHz (at 200 kbps), and 300 kHz (at 300 kbps), Preamble Length = 64 Bits

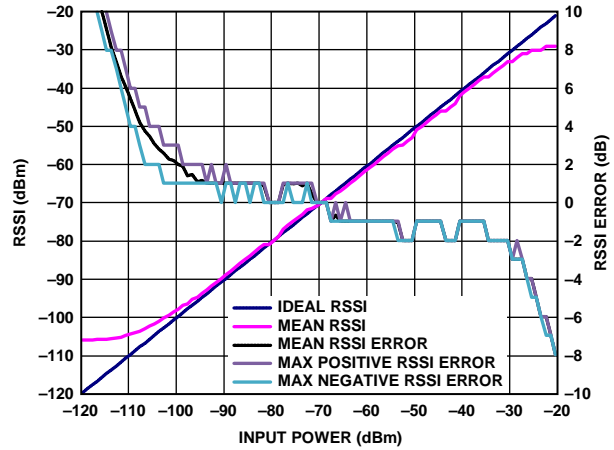


Figure 39. RSSI (via CMD\_GET\_RSSI) vs. RF Input Power, 950 MHz, GFSK, Data Rate = 38.4 kbps, Frequency Deviation = 20 kHz, IF Bandwidth = 100 kHz, 100 RSSI Measurements at Each Input Power Level

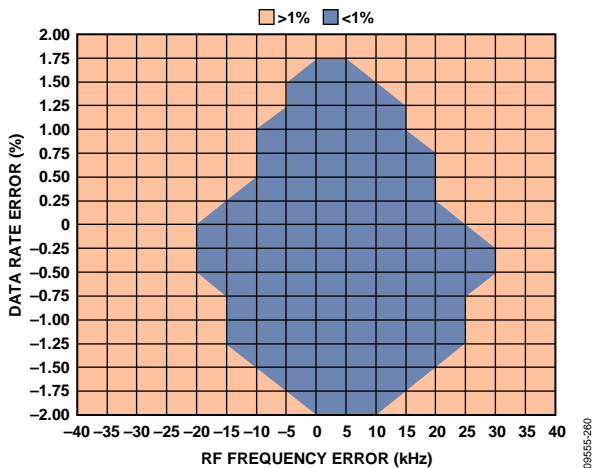


Figure 37. AFC Off: Packet Error Rate vs. RF Frequency Error and Data Rate Error, AFC Off, Data Rate = 300 kbps, Frequency Deviation = 75 kHz, GFSK, AGC\_LOCK\_MODE = Lock After Preamble

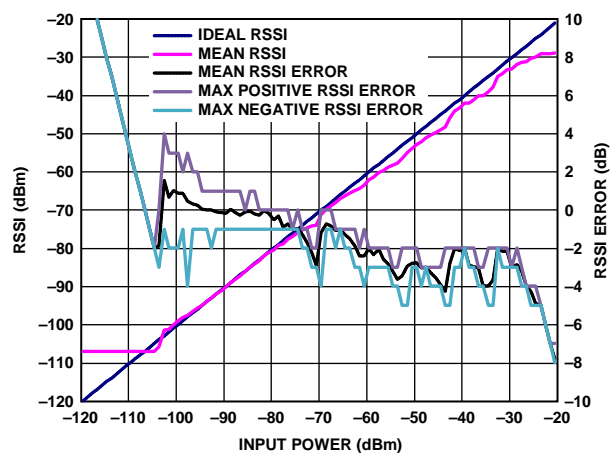
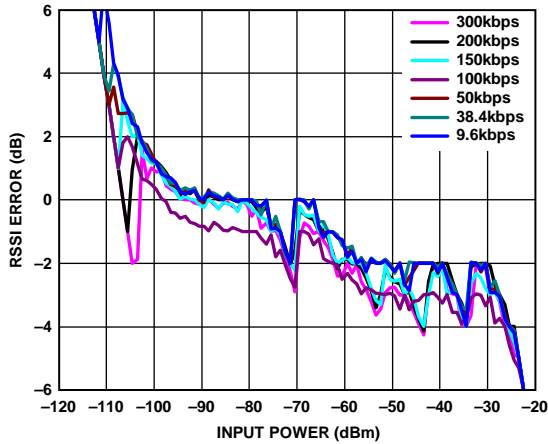


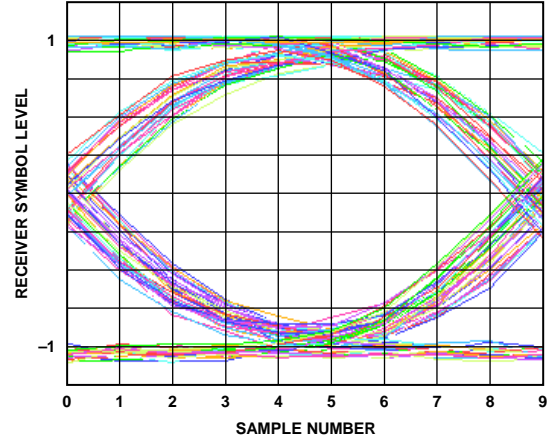
Figure 40. RSSI (via Automatic End of Packet RSSI Measurement) vs. RF Input Power, 950 MHz, GFSK, Data Rate = 300 kbps, Frequency Deviation = 75 kHz, IF Bandwidth = 300 kHz, AGC\_CLOCK\_DIVIDE = 15, 100 RSSI Measurements at Each Input Power Level





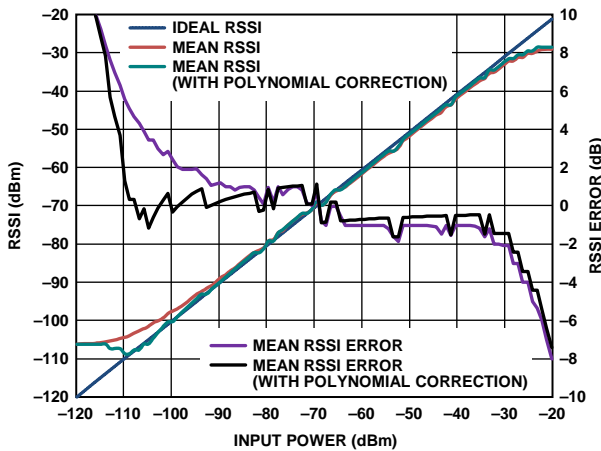
09555-284

Figure 41. Mean RSSI Error (via Automatic End of Packet RSSI Measurement) vs. RF Input Power vs. Data Rate; RF Frequency = 950 MHz, GFSK, 100 RSSI Measurements at Each Input Power Level



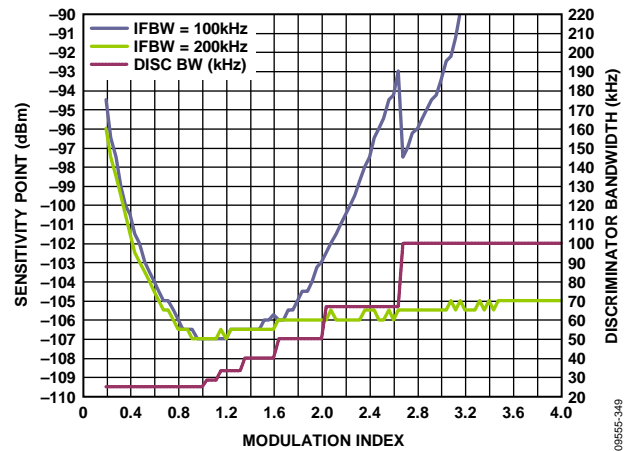
09555-289

Figure 44. Receiver Eye Diagram Measured Using the Test DAC, RF Frequency = 915 MHz, RF Input Power = -80 dBm, Data Rate = 100 kbps, Frequency Deviation = 50 kHz



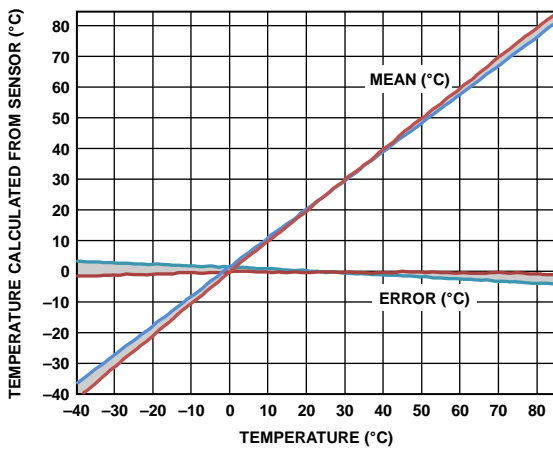
09555-285

Figure 42. RSSI With and Without Cosine Polynomial Correction (via Automatic End of Packet RSSI Measurement), 100 RSSI Measurements at Each Input Power Level



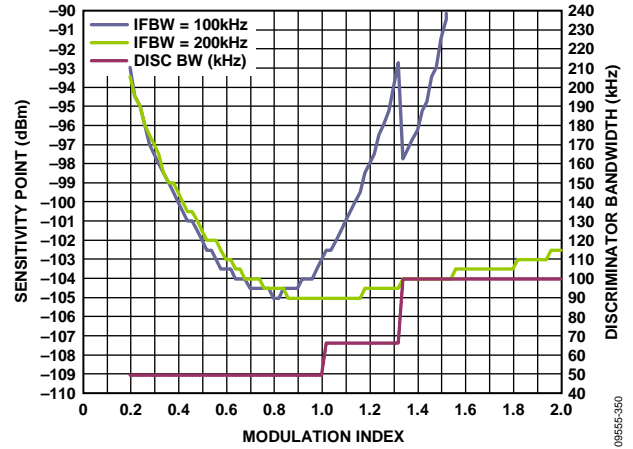
09555-349

Figure 45. Rx Sensitivity vs. Modulation Index, Data Rate = 50 kbps, MOD = GFSK,  $F_{DEV} = \pm(MI \times 2.5 \text{ kHz})$ , Data = PRBS9, BER =  $1E-3$ , Bits =  $1E+6$ ,  $V_{BAT} = 3.0 \text{ V}$ , Temperature =  $25^\circ\text{C}$



09555-347

Figure 43. Temperature Sensor Readback vs. Die Temperature, Readback Value Converted to  $^\circ\text{C}$  via Formula in the Temperature Sensor Section



09555-350

Figure 46. Rx Sensitivity vs. Modulation Index, Data Rate = 100 kbps, MOD = GFSK (0.5),  $F_{DEV} = \pm(MI \times 50 \text{ kHz})$ , Data = PRBS9, BER =  $1E-3$ , Bits =  $2E+5$ ,  $V_{BAT} = 3.0 \text{ V}$ , Temperature =  $25^\circ\text{C}$

**TERMINOLOGY****ADC**

Analog-to-digital converter

**AGC**

Automatic gain control

**AFC**

Automatic frequency control

**Battmon**

Battery monitor

**BBRAM**

Battery backup random access memory

**CBC**

Cipher block chaining

**CRC**

Cyclic redundancy check

**DR**

Data rate

**ECB**

Electronic code book

**ECC**

Error checking code

**2FSK**

Two-level frequency shift keying

**GFSK**

Two-level Gaussian frequency shift keying

**GMSK**

Gaussian minimum shift keying, GFSK with modulation index = 0.5

**LO**

Local oscillator

**MAC**

Media access control

**MCR**

Modem configuration random access memory

**MER**

Modulation error ratio

**MSK**

Minimum shift keying, 2FSK with modulation index = 0.5

**NOP**

No operation

**PA**

Power amplifier

**PFD**

Phase frequency detector

**PHY**

Physical layer

**RCO**

RC oscillator

**RISC**

Reduced instruction set computer

**RSSI**

Receive signal strength indicator

**Rx**

Receive

**SAR**

Successive approximation register

**SWM**

Smart wake mode

**Tx**

Transmit

**VCO**

Voltage controlled oscillator

**WUC**

Wake-up controller

**XOSC**

Crystal oscillator

## RADIO CONTROL

The **ADF7023-J** has five radio states designated PHY\_SLEEP, PHY\_OFF, PHY\_ON, PHY\_TX, and PHY\_RX. The host processor can transition the **ADF7023-J** between states by issuing single byte commands over the SPI interface. The various commands and states are illustrated in Figure 47. The communications processor handles the sequencing of various radio circuits and critical timing functions, thereby simplifying radio operation and easing the burden on the host processor.

### RADIO STATES

#### PHY\_SLEEP

In this state, the device is in a low power sleep mode. To enter the state, issue the CMD\_PHY\_SLEEP command, either from the PHY\_OFF or PHY\_ON state. To wake the radio from the state, set the CS pin low or use the wake-up controller (32.768 kHz RC or 32.768 kHz crystal) to wake the radio from this state. The wake-up timer should be set up before entering the PHY\_SLEEP state. If retention of BBRAM contents is not required, Deep Sleep Mode 2 can be used to further reduce the PHY\_SLEEP state current consumption. Deep Sleep Mode 2 is entered by issuing the CMD\_HW\_RESET command. The options for the PHY\_SLEEP state are detailed in Table 10. When in PHY\_SLEEP, the IRQ\_GP3 interrupt pin is held at logic low while the other GPIO pins are in a high impedance state.

#### PHY\_OFF

In the PHY\_OFF state, the 26 MHz crystal, the digital regulator, and the synthesizer regulator are powered up. All memories are fully accessible. The BBRAM registers must be valid before exiting this state.

#### PHY\_ON

In the PHY\_ON state, along with the crystal, the digital regulator, the synthesizer regulator, the VCO, and the RF regulators are powered up. A baseband filter calibration is performed when this state is entered from the PHY\_OFF state if the BB\_CAL bit in the MODE\_CONTROL register (Address 0x11A) is set. The

device is ready to operate, and the PHY\_TX and PHY\_RX states can be entered.

#### PHY\_TX

In the PHY\_TX state, the synthesizer is enabled and calibrated. The power amplifier is enabled, and the device transmits at the channel frequency defined by the CHANNEL\_FREQ[23:0] setting (Address 0x109 to Address 0x10B). The state is entered by issuing the CMD\_PHY\_TX command. The device automatically transmits the transmit packet stored in the packet RAM. After transmission of the packet, the PA is disabled, and the device automatically returns to the PHY\_ON state and can, optionally, generate an interrupt.

In sport mode, the device transmits the data present on the GPI pin as described in the Sport Mode section. The host processor must issue the CMD\_PHY\_ON command to exit the PHY\_TX state when in sport mode.

#### PHY\_RX

In the PHY\_RX state, the synthesizer is enabled and calibrated. The ADC, RSSI, IF filter, mixer, and LNA are enabled. The radio is in receive mode on the channel frequency defined by the CHANNEL\_FREQ[23:0] setting (Address 0x109 to Address 0x10B).

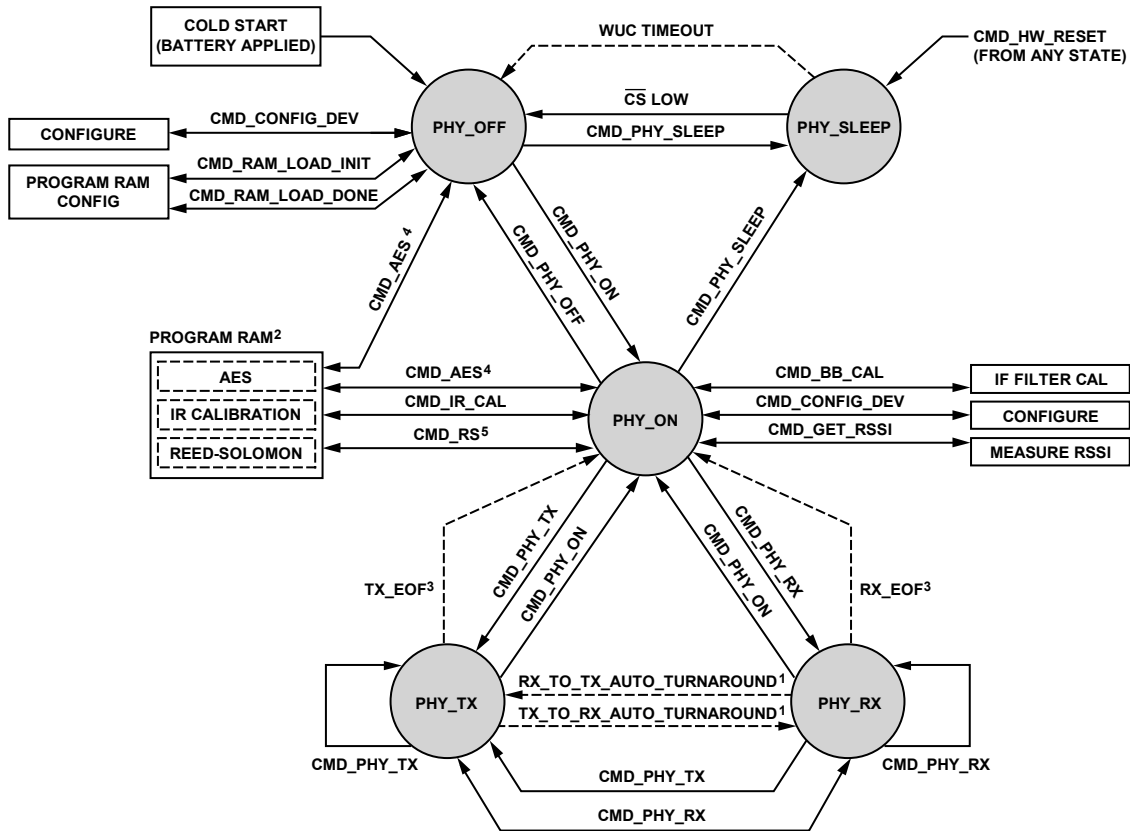
After reception of a valid packet, the device returns to the PHY\_ON state and can, optionally, generate an interrupt. In sport mode, the device remains in the PHY\_RX state until the CMD\_PHY\_ON command is issued.

#### Current Consumption

The typical current consumption in each state is detailed in Table 10.

**Table 10. Current Consumption in ADF7023-J Radio States**

| State                         | Current (Typical) | Conditions  |
|-------------------------------|-------------------|---|
| PHY_SLEEP (Deep Sleep Mode 2) | 0.18 $\mu$ A      | Wake-up timer off, BBRAM contents not retained, entered by issuing CMD_HW_RESET |
| PHY_SLEEP (Deep Sleep Mode 1) | 0.33 $\mu$ A      | Wake-up timer off, BBRAM contents retained                                      |
| PHY_SLEEP (RCO Mode)          | 0.75 $\mu$ A      | Wake-up timer on using a 32 kHz RC oscillator, BBRAM contents retained          |
| PHY_SLEEP (XTO Mode)          | 1.28 $\mu$ A      | Wake-up timer on using a 32 kHz XTAL oscillator, BBRAM contents retained        |
| PHY_OFF                       | 1.0 mA            |   |
| PHY_ON                        | 1.0 mA            |   |
| PHY_TX                        | 24.1 mA           | 10 dBm, single-ended PA, 950 MHz  |
| PHY_RX                        | 12.8 mA           |   |



<sup>1</sup>TRANSMIT AND RECEIVE AUTOMATIC TURNAROUND MUST BE ENABLED BY BITS `RX_TO_TX_AUTO_TURNAROUND` AND `TX_TO_RX_AUTO_TURNAROUND` (0x11A: `MODE_CONTROL`).  
<sup>2</sup>AES ENCRYPTION/DECRYPTION, IMAGE REJECTION CALIBRATION, AND REED SOLOMON CODING ARE AVAILABLE ONLY IF THE NECESSARY FIRMWARE MODULE HAS BEEN DOWNLOADED TO THE PROGRAM RAM.  
<sup>3</sup>THE END OF FRAME (EOF) AUTOMATIC TRANSITIONS ARE DISABLED IN SPORT MODE.  
<sup>4</sup>`CMD_AES` REFERS TO THE THREE AVAILABLE AES COMMANDS: `CMD_AES_ENCRYPT`, `CMD_AES_DECRYPT`, AND `CMD_AES_DECRYPT_INIT`.  
<sup>5</sup>`CMD_RS` REFERS TO THE THREE AVAILABLE REED SOLOMON COMMANDS: `CMD_RS_ENCODE_INIT`, `CMD_RS_ENCODE`, AND `CMD_RS_DECODE`.

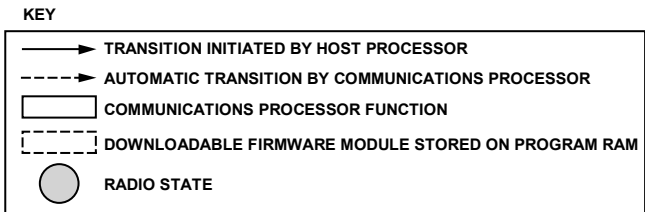


Figure 47. Radio State Diagram

09551-021

## INITIALIZATION

### Initialization After Application of Power

When power is applied to the ADF7023-J (through the VDDBAT1/VDDBAT2 pins), it registers a power-on reset (POR) event and transitions to the PHY\_OFF state. The BBRAM memory is unknown, the packet RAM memory is cleared to 0x00, and the MCR memory is reset to its default values. The host processor should use the following procedure to complete the initialization sequence:

1. Bring the  $\overline{\text{CS}}$  pin of the SPI low and wait until the MISO output goes high.
2. Issue the CMD\_SYNC command.
3. Wait for the CMD\_READY bit in the status word to go high.
4. Configure the part by writing to all 64 of the BBRAM registers.
5. Issue the CMD\_CONFIG\_DEV command so that the radio settings are updated using the BBRAM values.

The ADF7023-J is now configured in the PHY\_OFF state.

### Initialization After Issuing the CMD\_HW\_RESET Command

The CMD\_HW\_RESET command performs a full power-down of all hardware, and the device enters the PHY\_SLEEP state. To complete the hardware reset, the host processor should complete the following procedure:

1. Wait for 1 ms.
2. Bring the  $\overline{\text{CS}}$  pin of the SPI low and wait until the MISO output goes high. The ADF7023-J registers a POR and enters the PHY\_OFF state.
3. Issue the CMD\_SYNC command.
4. Wait for the CMD\_READY bit in the status word to go high.
5. Configure the part by writing to all 64 of the BBRAM registers.
6. Issue the CMD\_CONFIG\_DEV command so that the radio settings are updated using the BBRAM values.

The ADF7023-J is now configured in the PHY\_OFF state.

### Initialization on Transitioning from PHY\_SLEEP (After $\overline{\text{CS}}$ Is Brought Low)

The host processor can bring  $\overline{\text{CS}}$  low at any time to wake the ADF7023-J from the PHY\_SLEEP state. This event is not registered as a POR event because the BBRAM contents are valid. The following is the procedure that the host processor is required to follow:

1. Bring the  $\overline{\text{CS}}$  line of the SPI low and wait until the MISO output goes high. The ADF7023-J enters the PHY\_OFF state.
2. Issue the CMD\_SYNC command.
3. Wait for the CMD\_READY bit in the status word to go high.
4. Issue the CMD\_CONFIG\_DEV command so that the radio settings are updated using the BBRAM values.

The ADF7023-J is now configured and ready to transition to the PHY\_ON state.

### Initialization After a WUC Timeout

The ADF7023-J can autonomously wake from the PHY\_SLEEP state using the wake-up controller. If the ADF7023-J wakes after a WUC timeout in smart wake mode (SWM), it follows the SWM routine based on the smart wake mode configuration in BBRAM (see the Low Power Modes section). If the ADF7023-J wakes after a WUC timeout with SWM disabled and the firmware timer disabled, it wakes in the PHY\_OFF state, and the following is the procedure that the host processor is required to follow:

1. Issue the CMD\_SYNC command.
2. Wait for the CMD\_READY bit in the status word to go high.
3. Issue the CMD\_CONFIG\_DEV command so that the radio settings are updated using the BBRAM values.

The ADF7023-J is now configured in the PHY\_OFF state.

## COMMANDS

The commands that are supported by the radio controller are detailed in this section. They initiate transitions between radio states or perform tasks as indicated in Figure 47. The execution times for all radio state transitions are detailed in Table 11 and Table 12.

### **CMD\_PHY\_OFF (0xB0)**

This command transitions the [ADF7023-J](#) to the PHY\_OFF state. It can be issued in the PHY\_ON state. It powers down the RF and VCO regulators.

### **CMD\_PHY\_ON (0xB1)**

This command transitions the [ADF7023-J](#) to the PHY\_ON state.

If the command is issued in the PHY\_OFF state, it powers up the RF and VCO regulators and performs an IF filter calibration if the BB\_CAL bit is set in the MODE\_CONTROL register (Address 0x11A).

If the command is issued from the PHY\_TX state, the host processor performs the following procedure:

1. Ramps down the PA.
2. Sets the external PA signal low (if enabled).
3. Turns off the digital transmit clocks.
4. Powers down the synthesizer.
5. Sets FW\_STATE = PHY\_ON.

If the command is issued from the PHY\_RX state, the communications processor performs the following procedure:

1. Copies the measured RSSI to the RSSI\_READBACK register.
2. Sets the external LNA signal low (if enabled).
3. Turns off the digital receiver clocks.
4. Powers down the synthesizer and the receiver circuitry (ADC, RSSI, IF filter, mixer, and LNA).
5. Sets FW\_STATE = PHY\_ON.

### **CMD\_PHY\_SLEEP (0xBA)**

This command transitions the [ADF7023-J](#) to the very low power PHY\_SLEEP state in which the WUC is operational (if enabled), and the BBRAM contents are retained. It can be issued from the PHY\_OFF or PHY\_ON state.

### **CMD\_PHY\_RX (0xB2)**

This command can be issued in the PHY\_ON, PHY\_RX, or PHY\_TX state. If the command is issued in the PHY\_ON state, the communications processor performs the following procedure:

1. Powers up the synthesizer.
2. Powers up the receiver circuitry (ADC, RSSI, IF filter, mixer, and LNA).
3. Sets the RF channel based on the CHANNEL\_FREQ[23:0] setting in BBRAM.
4. Sets the synthesizer bandwidth.
5. Does a VCO calibration.
6. Delays for synthesizer settling.
7. Enables the digital receiver blocks.
8. Sets the external LNA enable signal high (if enabled).
9. Sets FW\_STATE = PHY\_RX.

If the command is issued in the PHY\_RX state, the communications processor performs the following procedure:

1. Sets the external LNA signal low (if enabled).
2. Unlocks the AFC and AGC.
3. Turns off the receive blocks.
4. Sets the RF channel based on the CHANNEL\_FREQ[23:0] setting in BBRAM.
5. Sets the synthesizer bandwidth.
6. Does a VCO calibration.
7. Delays for synthesizer settling.
8. Enables the digital receiver blocks.
9. Sets the external LNA enable signal high (if enabled).
10. Sets FW\_STATE = PHY\_RX.

If the command is issued in the PHY\_TX state, the communications processor performs the following procedure:

1. Ramps down the PA.
2. Sets the external PA signal low (if enabled).
3. Turns off the digital transmit blocks.
4. Powers up the receiver circuitry (ADC, RSSI, IF filter, mixer, and LNA).
5. Sets the RF channel based on the CHANNEL\_FREQ[23:0] setting in BBRAM.
6. Sets the synthesizer bandwidth.
7. Does a VCO calibration.
8. Delays for synthesizer settling.
9. Enables the digital receiver blocks.
10. Sets the external LNA enable signal high (if enabled).
11. Sets FW\_STATE = PHY\_RX.

### **CMD\_PHY\_TX (0xB5)**

This command can be issued in the PHY\_ON, PHY\_TX, or PHY\_RX state. If the command is issued in the PHY\_ON state, the communications processor performs the following procedure:

1. Powers up the synthesizer.
2. Sets the RF channel based on the CHANNEL\_FREQ[23:0] setting in BBRAM.
3. Sets the synthesizer bandwidth.
4. Does a VCO calibration.
5. Delays for synthesizer settling.
6. Enables the digital transmit blocks.
7. Sets the external PA enable signal high (if enabled).
8. Ramps up the PA.
9. Sets FW\_STATE = PHY\_TX.
10. Transmits data.

If the command is issued in the PHY\_TX state, the communications processor performs the following procedure:

1. Ramps down the PA.
2. Sets the external PA enable signal low (if enabled).
3. Turns off the digital transmit blocks.
4. Sets the RF channel based on the CHANNEL\_FREQ[23:0] setting in BBRAM.
5. Sets the synthesizer bandwidth.
6. Does a VCO calibration.
7. Delays for synthesizer settling.
8. Enables the digital transmit blocks.
9. Sets the external PA enable signal high (if enabled).
10. Ramps up the PA.
11. Sets FW\_STATE = PHY\_TX.
12. Transmits data.

If the command is issued in the PHY\_RX state, the communications processor performs the following procedure:

1. Sets the external LNA signal low (if enabled).
2. Unlocks the AFC and AGC.
3. Turns off the receive blocks.
4. Powers down the receiver circuitry (ADC, RSSI, IF filter, mixer, and LNA).
5. Sets the RF channel based on the CHANNEL\_FREQ[23:0] setting in BBRAM.
6. Sets the synthesizer bandwidth.
7. Delays for synthesizer settling.
8. Enables the digital transmit blocks.
9. Sets the external PA enable signal high (if enabled).
10. Ramps up the PA.
11. Sets FW\_STATE = PHY\_TX.
12. Transmits data.

#### **CMD\_CONFIG\_DEV (0xBB)**

This command interprets the BBRAM contents and configures each of the radio parameters based on these contents. It can be issued from the PHY\_OFF or PHY\_ON state. The only radio parameter that is not configured on this command is the CHANNEL\_FREQ[23:0] setting, which instead is configured as part of a CMD\_PHY\_TX or CMD\_PHY\_RX command.

The user should write to the entire 64 bytes of the BBRAM and then issue the CMD\_CONFIG\_DEV command, which can be issued in the PHY\_OFF or PHY\_ON state.

#### **CMD\_GET\_RSSI (0xBC)**

This command turns on the receiver, performs an RSSI measurement on the current channel, and returns the [ADF7023-J](#) to the PHY\_ON state. The command can be issued from the PHY\_ON state. The RSSI result is saved to the RSSI\_READBACK register (Address 0x312). This command can be issued from the PHY\_ON state only.

#### **CMD\_BB\_CAL (0xBE)**

This command performs an IF filter calibration. It can be issued only in the PHY\_ON state. In many cases, it may not be necessary to use this command because an IF filter calibration is automatically performed on the PHY\_OFF to PHY\_ON transition if BB\_CAL = 1 in the MODE\_CONTROL register (Address 0x11A).

#### **CMD\_SYNC (0xA2)**

This command is used to allow the host processor and communications processor to establish communications. It is required to issue a CMD\_SYNC command during each of the following scenarios:

- After application of power
- On a WUC wake-up
- After a CMD\_HW\_RESET
- After a CMD\_RAM\_LOAD\_DONE command has been issued

After issuing a CMD\_SYNC command, the host processor should wait until the CMD\_READY status bit is high (see the Initialization section). This process ensures that the next command issued by the host processor is processed by the communications processor. See the Initialization section for further details on using a CMD\_SYNC command.

#### **CMD\_HW\_RESET (0xC8)**

The command performs a full power-down of all hardware, and the device enters the PHY\_SLEEP state. This command can be issued in any state and is independent of the state of the communications processor. The procedure for initialization of the device after a CMD\_HW\_RESET command is described in detail in the Initialization section.

#### **CMD\_RAM\_LOAD\_INIT (0xBF)**

This command prepares the communications processor for a subsequent download of a software module to program RAM. This command should be issued only prior to the program RAM being written to by the host processor.

#### **CMD\_RAM\_LOAD\_DONE (0xC7)**

This command is required only after download of a software module to program RAM. It indicates to the communications processor that a software module is loaded to program RAM. The CMD\_RAM\_LOAD\_DONE command can be issued only in the PHY\_OFF state. The command resets the communications processor and the packet RAM. This command should be followed by a CMD\_SYNC command.

#### **CMD\_IR\_CAL (0xBD)**

This command performs a fully automatic image rejection calibration on the [ADF7023-J](#) receiver.

This command requires that the IR calibration firmware module has been loaded to the [ADF7023-J](#) program RAM. The firmware module is available from Analog Devices, Inc.. For more information, see the Downloadable Firmware Modules section.

***CMD\_AES\_ENCRYPT (0xD0), CMD\_AES\_DECRYPT (0xD2), and CMD\_AES\_DECRYPT\_INIT (0xD1)***

These commands allow AES, 128-bit block encryption and decryption of transmit and receive data using key sizes of 128 bits, 192 bits, or 256 bits.

The AES commands require that the AES firmware module has been loaded to the [ADF7023-J](#) program RAM. The AES firmware module is available from Analog Devices. See the Downloadable Firmware Modules section for details on the AES encryption and decryption module.

***CMD\_RS\_ENCODE\_INIT (0xD1), CMD\_RS\_ENCODE (0xD0), and CMD\_RS\_DECODE (0xD2)***

These commands perform Reed-Solomon encoding and decoding of transmit and receive data, thereby allowing detection and correction of errors in the received packet.

These commands require that the Reed-Solomon firmware module has been loaded to the [ADF7023-J](#) program RAM. The Reed-Solomon firmware module is available from Analog Devices. See the Downloadable Firmware Modules section for details on this module.

**AUTOMATIC STATE TRANSITIONS**

On certain events, the communications processor can automatically transition the [ADF7023-J](#) between states. These automatic transitions are illustrated as dashed lines in Figure 47 and are explained in this section.

***TX\_EOF***

The communications processor automatically transitions the device from the PHY\_TX state to the PHY\_ON state at the end of a packet transmission. On the transition, the communications processor performs the following actions:

1. Ramps down the PA.
2. Sets the external PA signal low.
3. Disables the digital transmitter blocks.
4. Powers down the synthesizer.
5. Sets FW\_STATE = PHY\_ON.

***RX\_EOF***

The communications processor automatically transitions the device from the PHY\_RX state to the PHY\_ON state at the end of a packet reception. On the transition, the communications processor performs the following actions:

1. Copies the measured RSSI to the RSSI\_READBACK register (Address 0x312).
2. Sets the external LNA signal low.
3. Disables the digital receiver blocks.
4. Powers down the synthesizer and the receiver circuitry (ADC, RSSI, IF filter, mixer, and LNA).
5. Sets FW\_STATE = PHY\_ON.

***RX\_TO\_TX\_AUTO\_TURNAROUND***

If the RX\_TO\_TX\_AUTO\_TURNAROUND bit in the MODE\_CONTROL register (Address 0x11A) is enabled, the device automatically transitions to the PHY\_TX state at the end of a valid packet reception, on the same RF channel frequency. On the transition, the communications processor performs the following actions:

1. Sets the external LNA signal low.
2. Unlocks the AGC and AFC (if enabled).
3. Disables the digital receiver blocks.
4. Powers down the receiver circuitry (ADC, RSSI, IF filter, mixer, and LNA).
5. Sets RF channel frequency (same as the previous receive channel frequency).
6. Sets the synthesizer bandwidth.
7. Does VCO calibration.
8. Delays for synthesizer settling.
9. Enables the digital transmitter blocks.
10. Sets the external PA signal high (if enabled).
11. Ramps up the PA.
12. Sets FW\_STATE = PHY\_TX.
13. Transmits data.

In sport mode, the RX\_TO\_TX\_AUTO\_TURNAROUND transition is disabled.

***TX\_TO\_RX\_AUTO\_TURNAROUND***

If the TX\_TO\_RX\_AUTO\_TURNAROUND bit in the MODE\_CONTROL register (Address 0x11A) is enabled, the device automatically transitions to the PHY\_RX state at the end of a packet transmission, on the same RF channel frequency. On the transition, the communications processor performs the following actions:

1. Ramps down the PA.
2. Sets the external PA signal low.
3. Disables the digital transmitter blocks.
4. Powers up the receiver circuitry (ADC, RSSI, IF filter, mixer, and LNA).
5. Sets the RF channel (same as the previous transmit channel frequency).
6. Sets the synthesizer bandwidth.
7. Does VCO calibration.
8. Delays for synthesizer settling.
9. Turns on AGC and AFC (if enabled).
10. Enables the digital receiver blocks.
11. Sets the external LNA signal high (if enabled).
12. Sets FW\_STATE = PHY\_RX.

In sport mode, the TX\_TO\_RX\_AUTO\_TURNAROUND transition is disabled.

***WUC Timeout***

The [ADF7023-J](#) can use the WUC to wake from sleep on a timeout of the hardware timer. The device wakes into the PHY\_OFF state. See the WUC Mode section for further details.



**STATE TRANSITION AND COMMAND TIMING**

The execution times for all radio state transitions are detailed in Table 11 and Table 12. Note that these times are typical and can vary, depending on the BBRAM configuration. For normal transition times, set TRANSITION\_CLOCK\_DIV (location 0x13A) to 0x04. For fast transition times, set TRANSITION\_CLOCK\_DIV to 0x01.

As stated in the SPI Interface section, commands are executed on the last positive SCLK edge of the command. For the measured values given in Table 11 and Table 12 there is 200 ns between the last positive SCLK edge and the rising edge of CS.

**Table 11. ADF7023-J Command Execution Times and State Transition Times That Are Not Related to PHY\_TX or PHY\_RX**

| Command/Bit                           | Command Initiated By | Present State  | Next State | Normal Transition Time (μs), Typical | Fast Transition Time (μs), Typical | Condition  |
|---------------------------------------|----------------------|----------------|------------|--------------------------------------|------------------------------------|--|
| CMD_HW_RESET                          | Host                 | Any            | PHY_SLEEP  | 1                                    | 1                                  |  |
| CMD_PHY_SLEEP                         | Host                 | PHY_OFF        | PHY_SLEEP  | 22.3                                 | 22.3                               |  |
| CMD_PHY_SLEEP                         | Host                 | PHY_ON         | PHY_SLEEP  | 24.1                                 | 24.1                               |  |
| CMD_PHY_OFF                           | Host                 | PHY_ON         | PHY_OFF    | 24                                   | 11                                 | From rising edge of $\overline{CS}$ to CMD_FINISHED interrupt.   |
| CMD_PHY_ON                            | Host                 | PHY_OFF        | PHY_ON     | 258/73                               | 213/28                             | From rising edge of $\overline{CS}$ to CMD_FINISHED interrupt. IF filter calibration enabled/disabled. |
| CMD_GET_RSSI                          | Host                 | PHY_ON         | PHY_ON     | 631/450                              | 523/353                            | RSSI_WAIT_TIME (Address 0x138) = 0xA7/0x37.  |
| CMD_CONFIG_DEV                        | Host                 | PHY_OFF        | PHY_OFF    | 72                                   | 23                                 | From rising edge of $\overline{CS}$ to CMD_FINISHED interrupt.   |
| CMD_CONFIG_DEV                        | Host                 | PHY_ON         | PHY_ON     | 75.4                                 | 24.5                               | From rising edge of $\overline{CS}$ to CMD_FINISHED interrupt.   |
| CMD_BB_CAL                            | Host                 | PHY_ON         | PHY_ON     | 221                                  | 204                                | From rising edge of $\overline{CS}$ to CMD_FINISHED interrupt.   |
| Wake-Up from PHY_SLEEP, (WUC Timeout) | Automatic            | PHY_SLEEP      | PHY_OFF    | 304                                  | 304                                | 7 pF load capacitance, T <sub>A</sub> = 25°C.  |
| Wake-Up from PHY_SLEEP, (CS Low)      | Host                 | PHY_SLEEP      | PHY_OFF    | 304                                  | 304                                | 7 pF load capacitance, T <sub>A</sub> = 25°C.  |
| Cold Start                            | Application of power | Not applicable | PHY_OFF    | 304                                  | 304                                | 7 pF load capacitance, T <sub>A</sub> = 25°C.  |

Table 12. ADF7023-J State Transition Times Related to PHY\_TX and PHY\_RX

| Mode   | Command/Bit/<br>Automatic<br>Transition | Present<br>State | Next<br>State | Normal<br>Transition<br>Time ( $\mu\text{s}$ ) <sup>1, 2</sup> ,<br>Typical | Fast<br>Transition<br>Time ( $\mu\text{s}$ ) <sup>1, 2</sup> ,<br>Typical | Condition   |
|--------|---|------------------|---------------|---|---|---|
| Packet | CMD_PHY_ON                              | PHY_TX           | PHY_ON        | $T_{EOP} + T_{PARAMP\_DOWN} + T_{BYTE} + 43$                                | $T_{EOP} + T_{PARAMP\_DOWN} + T_{BYTE} + 15$                              | From rising edge of $\overline{CS}$ to CMD_FINISHED interrupt.  |
| Packet | CMD_PHY_ON                              | PHY_RX           | PHY_ON        | $T_{BYTE} + 48$   | $T_{BYTE} + 21$   | From rising edge of $\overline{CS}$ to CMD_FINISHED interrupt. CMD_PHY_ON issued during search for preamble.  |
|        |   |                  |               | 50.5  | 23  | From rising edge of $\overline{CS}$ to CMD_FINISHED interrupt. CMD_PHY_ON issued during preamble qualification.   |
|        |   |                  |               | 50.5  | 23  | From rising edge of $\overline{CS}$ to CMD_FINISHED interrupt. CMD_PHY_ON issued during sync word qualification.  |
|        |   |                  |               | $T_{EOP} + 62.5$  | $T_{EOP} + 18$  | From rising edge of $\overline{CS}$ to CMD_FINISHED interrupt. CMD_PHY_ON issued during Rx data (after a sync word).  |
| Packet | CMD_PHY_TX                              | PHY_ON           | PHY_TX        | 306   | 237   | From rising edge of $\overline{CS}$ to CMD_FINISHED interrupt. The PA ramp up starts 3.4 $\mu\text{s}$ after the interrupt. The first bit of user data is transmitted $1.5 \times T_{BIT} + 2.3 \mu\text{s}$ following the interrupt.   |
| Packet | CMD_PHY_TX                              | PHY_RX           | PHY_TX        | $T_{BYTE} + 324.5$  | $T_{BYTE} + 248$  | From rising edge of $\overline{CS}$ to CMD_FINISHED interrupt. CMD_PHY_TX issued during search for preamble. The PA ramp up starts 3.4 $\mu\text{s}$ after the interrupt. The first bit of user data is transmitted $1.5 \times T_{BIT} + 2.3 \mu\text{s}$ following the interrupt.         |
|        |   |                  |               | 322.5   | 245.5   | From rising edge of $\overline{CS}$ to CMD_FINISHED interrupt. CMD_PHY_TX issued during preamble qualification. The PA ramp up starts 3.4 $\mu\text{s}$ after the interrupt. The first bit of user data is transmitted $1.5 \times T_{BIT} + 2.3 \mu\text{s}$ following the interrupt.      |
|        |   |                  |               | 322.5   | 245.5   | From rising edge of $\overline{CS}$ to CMD_FINISHED interrupt. CMD_PHY_TX issued during sync word qualification. The PA ramp up starts 3.4 $\mu\text{s}$ after the interrupt. The first bit of user data is transmitted $1.5 \times T_{BIT} + 2.3 \mu\text{s}$ following the interrupt.     |
|        |   |                  |               | $T_{EOP} + 281$   | $T_{EOP} + 263$   | From rising edge of $\overline{CS}$ to CMD_FINISHED interrupt. CMD_PHY_TX issued during Rx data (after a sync word). The PA ramp up starts 3.4 $\mu\text{s}$ after the interrupt. The first bit of user data is transmitted $1.5 \times T_{BIT} + 2.3 \mu\text{s}$ following the interrupt. |
| Packet | CMD_PHY_TX                              | PHY_TX           | PHY_TX        | $T_{EOP} + T_{PARAMP\_DOWN} + T_{BYTE} + 310$                               | $T_{EOP} + T_{PARAMP\_DOWN} + T_{BYTE} + 236$                             | From rising edge of $\overline{CS}$ to CMD_FINISHED interrupt. CMD_PHY_TX issued during packet transmission. The PA ramp up starts 3.4 $\mu\text{s}$ after the interrupt. The first bit of user data is transmitted $1.5 \times T_{BIT} + 2.3 \mu\text{s}$ following the interrupt.         |
| Packet | RX_TO_TX_AUTO_TURNAROUND                | PHY_RX           | PHY_TX        | 322   | 234.2   | From INTERRUPT_CRC_CORRECT to CMD_FINISHED interrupt. The PA ramp up starts 3.4 $\mu\text{s}$ after the interrupt. The first bit of user data is transmitted $1.5 \times T_{BIT} + 2.3 \mu\text{s}$ following the interrupt.  |
| Packet | CMD_PHY_RX                              | PHY_ON           | PHY_RX        | 327   | 241   | From rising edge of $\overline{CS}$ to CMD_FINISHED interrupt.  |
| Packet | CMD_PHY_RX                              | PHY_TX           | PHY_RX        | $T_{EOP} + T_{PARAMP\_DOWN} + T_{BYTE} + 336$                               | $T_{EOP} + T_{PARAMP\_DOWN} + T_{BYTE} + 241$                             | From rising edge of $\overline{CS}$ to CMD_FINISHED interrupt. CMD_PHY_RX issued during packet transmission.  |

| Mode   | Command/Bit/<br>Automatic<br>Transition | Present<br>State | Next<br>State | Normal<br>Transition<br>Time ( $\mu$ s) <sup>1,2</sup> ,<br>Typical               | Fast<br>Transition<br>Time ( $\mu$ s) <sup>1,2</sup><br>Typical               | Condition  |
|--------|---|------------------|---------------|---|---|--|
| Packet | CMD_PHY_RX                              | PHY_RX           | PHY_RX        | $T_{\text{BYTE}} + 341.5$<br><br>339.5<br><br>339.5<br><br>$T_{\text{EOP}} + 354$ | $T_{\text{BYTE}} + 249.5$<br><br>249<br><br>249<br><br>$T_{\text{EOP}} + 246$ | From rising edge of $\overline{\text{CS}}$ to CMD_FINISHED interrupt.<br>CMD_PHY_RX issued during search for preamble.<br>From rising edge of $\overline{\text{CS}}$ to CMD_FINISHED interrupt.<br>CMD_PHY_RX issued during preamble qualification.<br>From rising edge of $\overline{\text{CS}}$ to CMD_FINISHED interrupt.<br>CMD_PHY_RX issued during sync word qualification.<br>From rising edge of $\overline{\text{CS}}$ to CMD_FINISHED interrupt.<br>CMD_PHY_RX issued during Rx data (after a sync word).  |
| Packet | TX_TO_RX_AUTO_<br>TURNAROUND            | PHY_TX           | PHY_RX        | $T_{\text{PARAMP\_DOWN}} +$<br>$T_{\text{BYTE}} + 322$                            | $T_{\text{PARAMP\_DOWN}} +$<br>$T_{\text{BYTE}} + 232$                        | From TX_EOF interrupt to CMD_finished interrupt.   |
| Packet | TX_EOF                                  | PHY_TX           | PHY_ON        | $T_{\text{PARAMP\_DOWN}}$<br>$+T_{\text{BYTE}} + 25$                              | $T_{\text{PARAMP\_DOWN}}$<br>$+T_{\text{BYTE}} + 5$                           | From TX_EOF interrupt to CMD_finished interrupt.   |
| Packet | RX_EOF                                  | PHY_RX           | PHY_ON        | 46  | 10  | From INTERRUPT_CRC_CORRECT to CMD_FINISHED interrupt.  |
| Sport  | CMD_PHY_ON                              | PHY_TX           | PHY_ON        | $T_{\text{PARAMP\_DOWN}} +$<br>51   | $T_{\text{PARAMP\_DOWN}} +$<br>22   | From rising edge of $\overline{\text{CS}}$ to CMD_FINISHED interrupt.  |
| Sport  | CMD_PHY_ON                              | PHY_RX           | PHY_ON        | $T_{\text{BYTE}} + 54$<br><br>50.5<br><br>50.5<br><br>56                          | $T_{\text{BYTE}} + 28$<br><br>23<br><br>23<br><br>26                          | From rising edge of $\overline{\text{CS}}$ to CMD_FINISHED interrupt,<br>CMD_PHY_ON issued during search for preamble.<br>From rising edge of $\overline{\text{CS}}$ to CMD_FINISHED interrupt,<br>CMD_PHY_ON issued during preamble qualification.<br>From rising edge of $\overline{\text{CS}}$ to CMD_FINISHED interrupt,<br>CMD_PHY_ON issued during sync word<br>qualification.<br>From rising edge of $\overline{\text{CS}}$ to CMD_FINISHED interrupt,<br>CMD_PHY_ON issued during RX data (after a sync<br>word)   |
| Sport  | CMD_PHY_TX                              | PHY_ON           | PHY_TX        | 306   | 237   | From rising edge of $\overline{\text{CS}}$ to CMD_FINISHED interrupt.<br>The PA ramp up starts 3.4 $\mu$ s after the interrupt.  |
| Sport  | CMD_PHY_TX                              | PHY_RX           | PHY_TX        | $T_{\text{BYTE}} + 325$<br><br>320<br><br>320<br><br>326                          | $T_{\text{BYTE}} + 250$<br><br>245<br><br>245<br><br>249                      | From rising edge of $\overline{\text{CS}}$ to CMD_FINISHED interrupt,<br>CMD_PHY_TX issued during search for preamble.<br>The PA ramp up starts 3.4 $\mu$ s after the interrupt.<br>From rising edge of $\overline{\text{CS}}$ to CMD_FINISHED interrupt,<br>CMD_PHY_TX issued during preamble qualification.<br>The PA ramp up starts 3.4 $\mu$ s after the interrupt.<br>From rising edge of $\overline{\text{CS}}$ to CMD_FINISHED interrupt,<br>CMD_PHY_TX issued during sync word qualification.<br>The PA ramp up starts 3.4 $\mu$ s after the interrupt.<br>From rising edge of $\overline{\text{CS}}$ to CMD_FINISHED interrupt,<br>CMD_PHY_TX issued during RX data (after a sync<br>word). The PA ramp up starts 3.4 $\mu$ s after the<br>interrupt. |
| Sport  | CMD_PHY_TX                              | PHY_TX           | PHY_TX        | $T_{\text{PARAMP\_DOWN}} +$<br>315  | $T_{\text{PARAMP\_DOWN}} +$<br>243  | From rising edge of $\overline{\text{CS}}$ to CMD_FINISHED interrupt.<br>The PA ramp up starts 3.4 $\mu$ s after the interrupt.  |
| Sport  | CMD_PHY_RX                              | PHY_ON           | PHY_RX        | 327   | 241   | From rising edge of $\overline{\text{CS}}$ to CMD_FINISHED interrupt   |
| Sport  | CMD_PHY_RX                              | PHY_TX           | PHY_RX        | $T_{\text{PARAMP\_DOWN}} +$<br>345  | $T_{\text{PARAMP\_DOWN}} +$<br>250  | From rising edge of $\overline{\text{CS}}$ to CMD_FINISHED interrupt.  |

| Mode  | Command/Bit/<br>Automatic<br>Transition | Present<br>State | Next<br>State | Normal<br>Transition<br>Time (μs) <sup>1, 2</sup> ,<br>Typical | Fast<br>Transition<br>Time (μs) <sup>1, 2</sup> ,<br>Typical | Condition   |
|-------|---|------------------|---------------|--|--|---|
| Sport | CMD_PHY_RX                              | PHY_RX           | PHY_RX        | T <sub>BYTE</sub> + 342<br><br>339.5<br><br>339.5<br><br>346   | T <sub>BYTE</sub> + 249.5<br><br>249<br><br>249<br><br>252   | From rising edge of $\overline{CS}$ to CMD_FINISHED interrupt, CMD_PHY_RX issued during search for preamble.<br>From rising edge of $\overline{CS}$ to CMD_FINISHED interrupt, CMD_PHY_RX issued during preamble qualification.<br>From rising edge of $\overline{CS}$ to CMD_FINISHED interrupt, CMD_PHY_RX issued during sync word qualification.<br>From rising edge of $\overline{CS}$ to CMD_FINISHED interrupt, CMD_PHY_RX issued during RX data (after a sync word). |

<sup>1</sup>  $T_{PARAM\_UP} = T_{PARAM\_DOWN} = \frac{PA\_LEVEL\_MCR}{2^{(9 - PA\_RAMP)} \times DATA\_RATE \times 100}$ , where PA\_LEVEL\_MCR sets the maximum PA output power (PA\_LEVEL\_MCR register, Address 0x307), PA\_RAMP

sets the PA ramp rate (RADIO\_CFG\_8 register, Address 0x114), and DATA\_RATE sets the transmit data rate (RADIO\_CFG\_0 register, Address 0x10C and RADIO\_CFG\_1 register, Address 0x10D).

<sup>2</sup> T<sub>BYTE</sub> = one byte period (μs), T<sub>EOP</sub> = time to end of packet (μs).

## SPORT MODE

It is possible to bypass all of the packet management features of the ADF7023-J and use the sport interface for transmit and receive data. The sport interface is a high speed synchronous serial interface allowing direct interfacing to processors and DSPs. Sport mode is enabled using the DATA\_MODE setting in the PACKET\_LENGTH\_CONTROL register (Address 0x126), as described in Table 13. The sport mode interface is on the GPIO pins (GP0, GP1, GP2, GP4, and XOSC32KP\_GP5\_ATB1). These GPIO pins can be configured using the GPIO\_CONFIGURE setting (Address 0x3FA), as described in Table 14.

Sport mode provides a receive interrupt source on GP4. This interrupt source can be configured to provide an interrupt, or strobe signal, on either preamble detection or sync word detection. The type of interrupt is configured using the GPIO\_CONFIGURE setting.

### PACKET STRUCTURE IN SPORT MODE

In sport mode, the host processor has full control over the packet structure. However, the preamble frame is still required to allow sufficient bits for receiver settling (AGC, AFC, and CDR). In sport mode, sync word detection is not mandatory in the ADF7023-J but can be enabled to provide byte level synchronization for the host processor via the sync word detect interrupt or strobe on GP4. The general format of a sport mode packet is shown in Figure 48.



Figure 48. General Sport Mode Packet

### SPORT MODE IN TRANSMIT

Figure 49 illustrates the operation of the sport interface in transmit. Once in the PHY\_TX state with sport mode enabled, the data input of the transmitter is fully controlled by the sport interface (Pin GP1). The transmit clock appears on the GP2 pin. The transmit data from the host processor should be synchronized with this clock. The FW\_STATE variable in the status word (see Table 13. SPORT Mode Setup

the Status Word section) or the CMD\_FINISHED interrupt (see the Interrupts in Sport Mode section) can be used to indicate when the ADF7023-J has reached the PHY\_TX state and, therefore, is ready to begin transmitting data. The ADF7023-J keeps transmitting the serial data presented at the GP1 input until the host processor issues a command to exit the PHY\_TX state.

### SPORT MODE IN RECEIVE

The sport interface supports the receive operation with a number of modes to suit particular signaling requirements. The receive data appears on the GP0 pin, whereas the receive synchronized clock appears on the GP2 pin. The GP4 pin provides a dedicated SPORT mode interrupt or strobe signal on either preamble or sync word detection, as described in Table 13 and Table 14. Once enabled, the interrupt signal and strobe signals remain operational while in the PHY\_RX state. The strobe signal gives a single high pulse of 1-bit duration every eight bits. The strobe signal is most useful when used with sync word detection because it is synchronized to the sync word and strobes the first bit in every byte.

In SPORT mode, IRQ\_GP3 retains its normal interrupt functionality for INTERRUPT\_SOURCE\_1; however, only INTERRUPT\_PREAMBLE\_DETECT and INTERRUPT\_SYNC\_DETECT are available from INTERRUPT\_SOURCE\_0. Refer to the Interrupt Generation section for more details.

### TRANSMIT BIT LATENCIES IN SPORT MODE

The transmit bit latency is the time from the sampling of a bit by the transmit data clock on GP2 to when that bit appears at the RF output. There is no transmit bit latency when using 2FSK/MSK modulation. The latency when using GFSK/GMSK modulation is two bits. It is important that the host processor keep the ADF7023-J in the PHY\_TX state for two bit periods after the last data bit is sampled by the data clock to account for this latency when using GMSK/GFSK modulation.

| DATA_MODE Bits in PACKET_LENGTH_CONTROL Register (0x126) | Description   | GPIO Configuration   |
|--|---|--|
| DATA_MODE = 0  | Packet mode enabled. Packet management is controlled by the communications processor.   |  |
| DATA_MODE = 1  | Sport mode enabled. The Rx data and Rx clock are enabled in the PHY_RX state (GPIO_CONFIGURE = 0xA0, 0xA3, 0xA6). The Rx clock is enabled in the PHY_RX state, and Rx data is enabled on the preamble detect (GPIO_CONFIGURE = 0xA1, 0xA2, 0xA4, 0xA5, 0xA7, 0xA8).   | GP0: Rx data<br>GP1: Tx data<br>GP2: Tx/Rx clock<br>GP4: interrupt or strobe enabled on preamble detect (depends on GPIO_CONFIGURE)<br>XOSC32KP_GP5_ATB1: depends on GPIO_CONFIGURE  |
| DATA_MODE = 2  | Sport mode enabled. The Rx data and Rx clock are enabled in the PHY_RX state if GPIO_CONFIGURE = 0xA0, 0xA3, 0xA6. The Rx clock is enabled in the PHY_RX state, and Rx data is enabled on the preamble detect if GPIO_CONFIGURE = 0xA1, 0xA2, 0xA4, 0xA5, 0xA7, 0xA8. | GP0: Rx data<br>GP1: Tx data<br>GP2: Tx/Rx clock<br>GP4: interrupt or strobe enabled on sync word detect (depends on GPIO_CONFIGURE)<br>XOSC32KP_GP5_ATB1: depends on GPIO_CONFIGURE |

Table 14. GPIO Functionality in Sport Mode

| GPIO_CONFIGURE | GP0     | GP1     | GP2         | IRQ_GP3  | GP4       | XOSC32KP_GP5_ATB1     |
|----------------|---------|---------|-------------|--|-----------|-----------------------|
| 0xA0           | Rx data | Tx data | Tx/Rx clock | Normal interrupt generation from INTERRUPT_SOURCE_1. | Not used  | Not used              |
| 0xA1           | Rx data | Tx data | Tx/Rx clock | Reduced set from INTERRUPT_SOURCE_0.                 | Interrupt | Not used              |
| 0xA2           | Rx data | Tx data | Tx/Rx clock | Refer to interrupts in sport mode.                   | Strobe    | Not used              |
| 0xA3           | Rx data | Tx data | Tx/Rx clock |  | Not used  | 32.768 kHz XTAL input |
| 0xA4           | Rx data | Tx data | Tx/Rx clock |  | Interrupt | 32.768 kHz XTAL input |
| 0xA5           | Rx data | Tx data | Tx/Rx clock |  | Strobe    | 32.768 kHz XTAL input |
| 0xA6           | Rx data | Tx data | Tx/Rx clock |  | Not used  | EXT_UC_CLK output     |
| 0xA7           | Rx data | Tx data | Tx/Rx clock |  | Interrupt | EXT_UC_CLK output     |
| 0xA8           | Rx data | Tx data | Tx/Rx clock |  | Strobe    | EXT_UC_CLK output     |

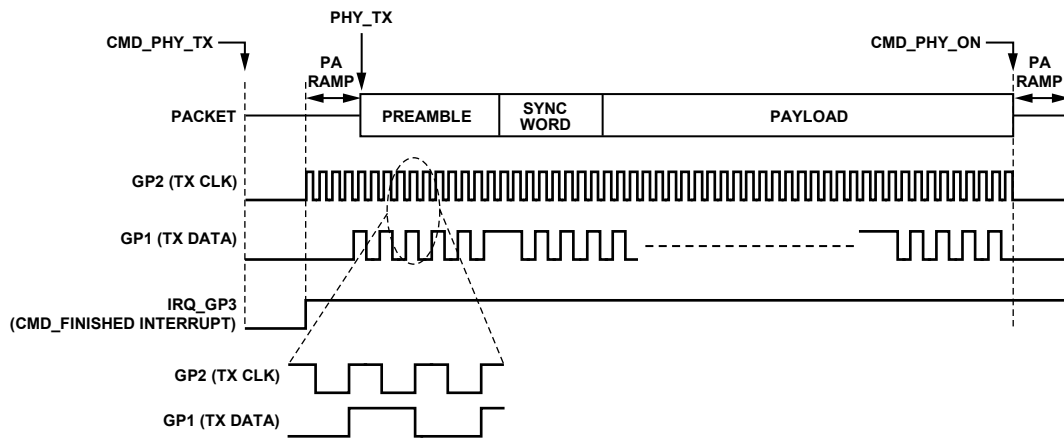


Figure 49. Sport Mode Transmit

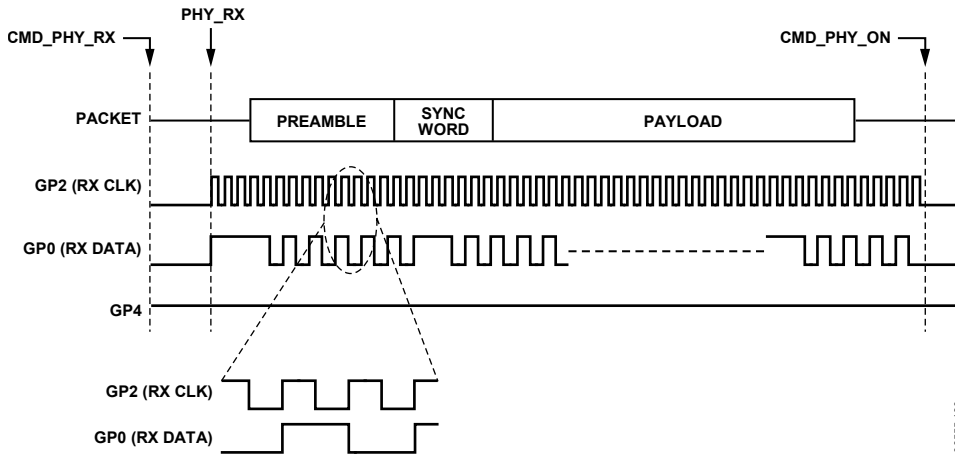


Figure 50. Sport Mode Receive, DATA\_MODE = 1, 2 and GPIO\_CONFIGURE = 0xA0, 0xA3, or 0xA6

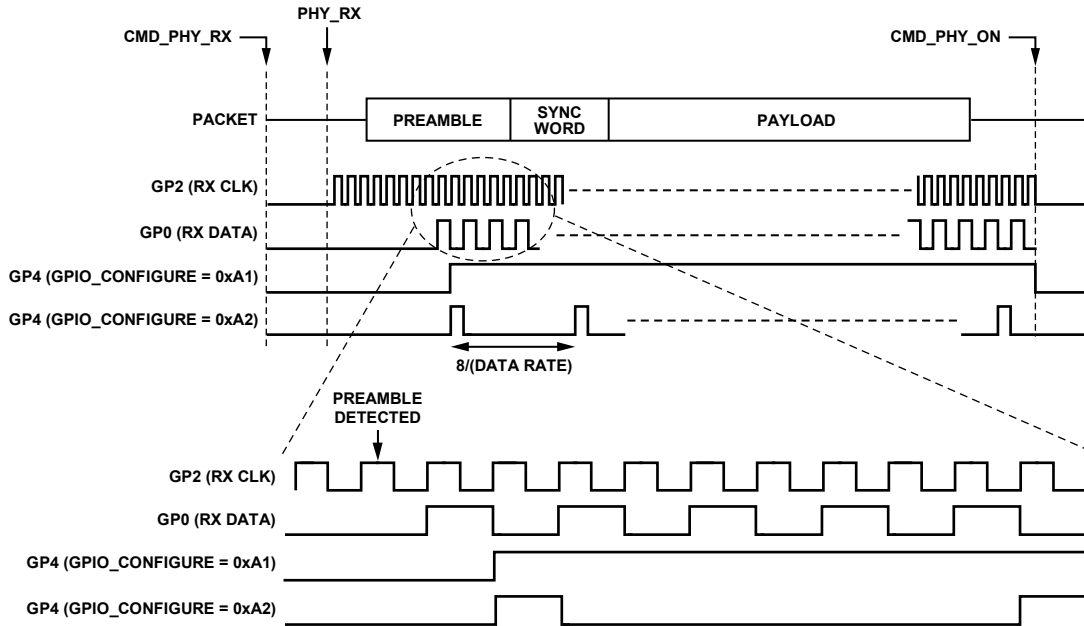


Figure 51. Sport Mode Receive, DATA\_MODE = 1, GPIO\_CONFIGURE = 0xA1, 0xA2, 0xA4, 0xA5, 0xA7, 0xA8

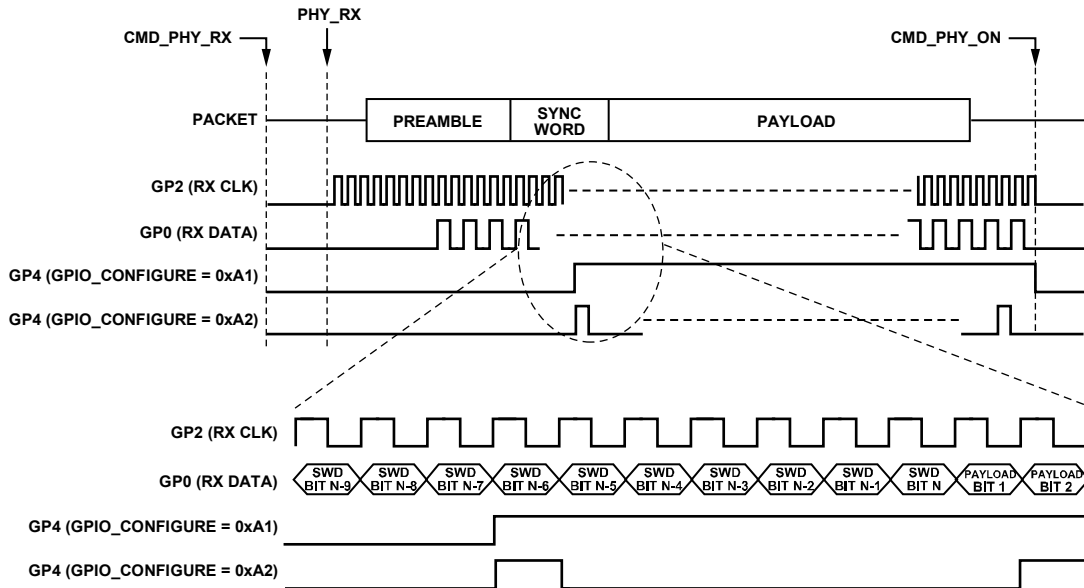


Figure 52. Sport Mode Receive, DATA\_MODE = 2, GPIO\_CONFIGURE = 0xA1, 0xA2, 0xA4, 0xA5, 0xA7, 0xA8

09555-131

09555-132

## PACKET MODE

The on-chip communications processor can be configured for use with a wide variety of packet-based radio protocols using 2FSK/GFSK/MSK/GMSK modulation. The general packet format, when using the packet management features of the communications processor, is illustrated in Table 16. To use the packet management features, the DATA\_MODE setting in the PACKET\_LENGTH\_CONTROL register (Address 0x126) should be set to packet mode; 240 bytes of dedicated packet RAM are available to store, transmit, and receive packets. In transmit mode, preamble, sync word, and CRC can be added by the communications processor to the data stored in the packet RAM for transmission. In addition, all packet data after the sync word can be optionally whitened, Manchester encoded, or 8b/10b encoded on transmission and decoded on reception.

In receive mode, the communications processor can be used to qualify received packets based on the preamble detection, sync word detection, CRC detection, or address match and generate an interrupt on the IRQ\_GP3 pin. On reception of a valid packet, the received payload data is loaded to packet RAM memory. More information on interrupts is contained in the Interrupt Generation section.

### PREAMBLE

The preamble is a mandatory part of the packet that is automatically added by the communications processor when transmitting a packet and removed after receiving a packet. The preamble is a 0x55 sequence, with a programmable length between 1 byte and 256 bytes, that is set in the PREAMBLE\_LEN register

(Address 0x11D). It is necessary to have preamble at the beginning of the packet to allow time for the receiver AGC, AFC, and clock and data recovery circuitry to settle before the start of the sync word. The required preamble length depends on the radio configuration. See the Radio Blocks section for more details.

In receive mode, the ADF7023-J can use a preamble qualification circuit to detect preamble and interrupt the host processor. The preamble qualification circuit tracks the received frame as a sliding window. The window is three bytes in length, and the preamble pattern is fixed at 0x55. The preamble bits are examined in 01pairs. If either bit or both bits are in error, the pair is deemed erroneous. The possible erroneous pairs are 00, 11, and 10. The number of erroneous pairs tolerated in the preamble can be set using the PREAMBLE\_MATCH register value (Address 0x11B) according to Table 15.

**Table 15. Preamble Detection Tolerance (PREAMBLE\_MATCH, Address 0x11B)**

| Value | Description  |
|-------|--|
| 0x0C  | No errors allowed.                                 |
| 0x0B  | One erroneous bit-pair allowed in 12 bit-pairs.    |
| 0x0A  | Two erroneous bit-pairs allowed in 12 bit-pairs.   |
| 0x09  | Three erroneous bit-pairs allowed in 12 bit-pairs. |
| 0x08  | Four erroneous bit-pairs allowed in 12 bit-pairs.  |
| 0x00  | Preamble detection disabled.                       |

**Table 16. ADF7023-J Packet Structure Description**

| Packet Format Options                      | Packet Structure <sup>1</sup> |                  |         |                   |                      |         |           |
|--|-------------------------------|------------------|---------|-------------------|----------------------|---------|-----------|
|  | Preamble                      | Sync             | Payload |                   |                      | CRC     | Postamble |
|  |                               |                  | Length  | Address           | Payload Data         |         |           |
| Field Length                               | 1 byte to 256 bytes           | 1 bit to 24 bits | 1 byte  | 1 byte to 9 bytes | 0 bytes to 240 bytes | 2 bytes | 2 bytes   |
| Optional Field in Packet Structure         | X                             | X                | Yes     | Yes               | Yes                  | Yes     | X         |
| Comms Processor Adds in Tx, Removes in Rx  | Yes                           | Yes              | X       | X                 | X                    | Yes     | Yes       |
| Host Writes These Fields to Packet RAM     | X                             | X                | Yes     | Yes               | Yes                  | X       | X         |
| Whitening/Dewhitening (Optional)           | X                             | X                | Yes     | Yes               | Yes                  | Yes     | X         |
| Manchester Encoding/Decoding (Optional)    | X                             | X                | Yes     | Yes               | Yes                  | Yes     | X         |
| 8b/10b Encoding/Decoding (Optional)        | X                             | X                | Yes     | Yes               | Yes                  | Yes     | X         |
| Configurable Parameter                     | Yes                           | Yes              | Yes     | Yes               | Yes                  | Yes     | X         |
| Receive Interrupt on Valid Field Detection | Yes                           | Yes              | X       | Yes               | X                    | Yes     | X         |
| Programmable Field Error Tolerance         | Yes                           | Yes              | X       | X                 | X                    | X       | X         |
| Programmable Field Offset (See Figure 55)  | X                             | X                | X       | Yes               | X                    | X       | X         |

<sup>1</sup> Yes indicates that the packet format option is supported, and X indicates that the packet format option is not supported.



If PREAMBLE\_MATCH is set to 0x0C, the ADF7023-J must receive 12 consecutive 01 pairs (three bytes) to confirm that valid preamble has been detected. The user can select the option to automatically lock the AFC and/or AGC once the qualified preamble is detected. The AFC lock on preamble detection can be enabled by setting AFC\_LOCK\_MODE = 3 in the RADIO\_CFG\_10 register (Address 0x116). The AGC lock on preamble detection can be enabled by setting AGC\_LOCK\_MODE = 3 in the RADIO\_CFG\_7 register (Address 0x113).

After the preamble is detected and the end of preamble has been reached, the communications processor searches for the sync word. The search for the sync word lasts for a duration equal to the sum of the number of programmed sync word bits, plus the preamble matching tolerance (in bits) plus 16 bits. If the sync word routine is detected during this duration, the communications processor loads the received payload to packet RAM and computes the CRC (if enabled). If the sync word routine is not detected during this duration, the communications processor continues searching for the preamble.

Preamble detection can be disabled by setting the PREAMBLE\_MATCH register to 0x00. To enable an interrupt upon preamble detection, the user must set INTERRUPT\_PREAMBLE\_DETECT = 1 in the INTERRUPT\_MASK\_0 register (Address 0x100).

**SYNC WORD**

Sync word is the synchronization word used by the receiver for byte level synchronization while also providing an optional interrupt on detection. It is automatically added to the packet by the communications processor in transmit mode and removed during reception of a packet.

The value of the sync word is set in the SYNC\_BYTE\_0, SYNC\_BYTE\_1, and SYNC\_BYTE\_2 registers (Address 0x121, Address 0x122, and Address 0x123, respectively). The sync word is transmitted most significant bit first starting with SYNC\_BYTE\_0. The sync word matching length at the receiver is set using SYNC\_WORD\_LENGTH in the SYNC\_CONTROL register (Address 0x120) and can be one bit to 24 bits long; the transmitted sync word is a multiple of eight bits. Therefore, for nonbyte length sync words, the transmitted sync pattern should be appended with the preamble pattern as described in Figure 53 and Table 18.

In receive mode, the ADF7023-J can provide an interrupt on reception of the sync word sequence programmed in the SYNC\_BYTE\_0, SYNC\_BYTE\_1, and SYNC\_BYTE\_2 registers. This feature can be used to alert the host processor that a qualified sync word has been received. An error tolerance parameter can also be programmed that accepts a valid match when up to three bits of the sync word sequence are incorrect. The error tolerance value is set using the SYNC\_ERROR\_TOL setting in the SYNC\_CONTROL register (Address 0x120), as described in Table 17.

**Table 17. Sync Word Detection Tolerance (SYNC\_ERROR\_TOL, Bits[7:6] of Address 0x120)**

| Value | Description               |
|-------|---------------------------|
| 00    | No bit errors allowed.    |
| 01    | One bit error allowed.    |
| 10    | Two bit errors allowed.   |
| 11    | Three bit errors allowed. |

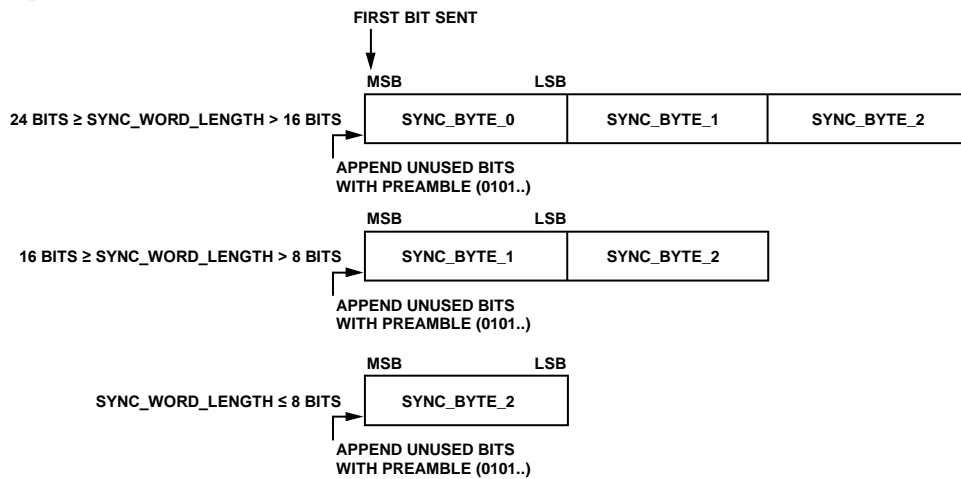


Figure 53. Transmit Sync Word Configuration

Table 18. Sync Word Programming Examples

| Required Sync Word (Binary, First Bit Being First in Time) | SYNC_WORD_LENGTH Bits in SYNC_CONTROL Register (0x120) | SYNC_BYTE_0 <sup>1</sup> | SYNC_BYTE_1 <sup>1</sup> | SYNC_BYTE_2 | Transmitted Sync Word (Binary, First Bit Being First in Time) | Receiver Sync Word Match Length (Bits) |
|--|--|--------------------------|--------------------------|-------------|---|--|
| 000100100011010001010110                                   | 24   | 0x12                     | 0x34                     | 0x56        | 0001_0010_0011_0100_0101_0110                                 | 24                                     |
| 111010011100101000100                                      | 21   | 0x5D                     | 0x39                     | 0x44        | 0101_1101_0011_1001_0100_0100                                 | 21                                     |
| 0001001000110100   | 16   | 0xXX                     | 0x12                     | 0x34        | 0001_0010_0011_0100   | 16                                     |
| 011100001110   | 12   | 0xXX                     | 0x57                     | 0x0E        | 0101_0111_0000_1110   | 12                                     |
| 00010010   | 8  | 0xXX                     | 0xXX                     | 0x12        | 0001_0010   | 8                                      |
| 011100   | 6  | 0xXX                     | 0xXX                     | 0x5C        | 0101_1100   | 6                                      |

<sup>1</sup> X = don't care.

**Choice of Sync Word**

The sync word should be chosen to have low correlation with the preamble and have good autocorrelation properties. When the AFC is set to lock on detection of sync word (AFC\_LOCK\_MODE = 3 and PREAMBLE\_MATCH = 0), the sync word should be chosen to be dc free, and it should have a run length limit not greater than four bits.

**PAYLOAD**

The host processor writes the transmit data payload to the packet RAM. The location of the transmit data in the packet RAM is defined by the TX\_BASE\_ADR value register (Address 0x124). The TX\_BASE\_ADR value is the location of the first byte of the transmit payload data in the packet RAM. On reception of a valid sync word, the communications processor automatically loads the receive payload to the packet RAM. The RX\_BASE\_ADR register value (Address 0x125) sets the location in the packet RAM of the first byte of the received payload. For more details on packet RAM memory, see the [ADF7023-J Memory Map](#) section.

**Byte Orientation**

The over-the-air arrangement of each transmitted packet RAM byte can be set to MSB first or LSB first using the DATA\_BYTE setting in the PACKET\_LENGTH\_CONTROL register (Address 0x126). The same orientation setting should be used on the transmit and receive sides of the RF link.

**Packet Length Modes**

The [ADF7023-J](#) can be used in both fixed and variable length packet systems. Fixed or variable length packet mode is set using the PACKET\_LEN variable setting in the PACKET\_LENGTH\_CONTROL register (Address 0x126).

For a fixed packet length system, the length of the transmit and received payload is set by the PACKET\_LENGTH\_MAX register (Address 0x127). The payload length is defined as the number of bytes from the end of the sync word to the start of the CRC.

In variable packet length mode, the communications processor extracts the length field from the received payload data. In transmit mode, the length field must be the first byte in the transmit payload.

The communications processor calculates the actual received payload length as

$$RxPayload\ Length = Length + LENGTH\_OFFSET - 4$$

where:

*Length* is the length field (the first byte in the received payload). *LENGTH\_OFFSET* is a programmable offset (set in the PACKET\_LENGTH\_CONTROL register (Address 0x126).

The LENGTH\_OFFSET value allows compatibility with systems where the length field in the proprietary packet may also include the length of the CRC and/or the sync word. The [ADF7023-J](#) defines the payload length as the number of bytes from the end of the sync word to the start of the CRC. In variable packet length mode, the PACKET\_LENGTH\_MAX value defines the maximum packet length that can be received, as described in Figure 54.

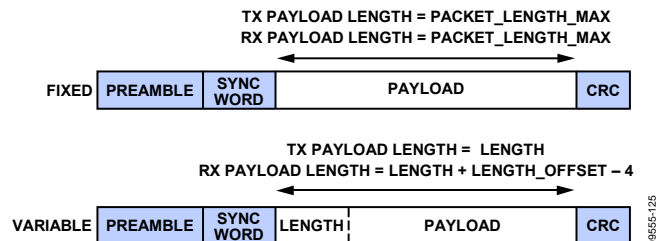


Figure 54. Payload Length in Fixed and Variable Length Packet Modes

**Addressing**

The [ADF7023-J](#) provides a very flexible address-matching scheme, allowing matching of a single address, multiple addresses, and broadcast addresses. Addresses of up to 32 bits in length are supported. The address information can be included at any section of the transmit payload.

The location of the starting byte of the address data in the received payload is set in the ADDRESS\_MATCH\_OFFSET register (Address 0x129), as illustrated in Figure 55. The number of bytes in the first address field is set in the ADDRESS\_LENGTH register (Address 0x12A). These settings allow the communications processor to extract the address information from the received packet.

The address data is then compared against a list of known addresses that are stored in BBRAM (Address 0x12B to Address 0x137). Each stored address byte has an associated mask byte, thereby allowing matching of partial sections of the address bytes, which is useful for checking broadcast addresses or a family of addresses that have a unique identifier in the address sequence. The format and placement of the address information in the payload data should match the address check settings at the receiver to ensure exact address detection and qualification. Table 19 shows the register locations in the BBRAM that are used for setup of the address checking. When Register 0x12A (number of bytes in the first address field) is set to 0x00, address checking is disabled. Note that if static register fixes are employed (see Table 90), then the space available for address matching will be reduced.

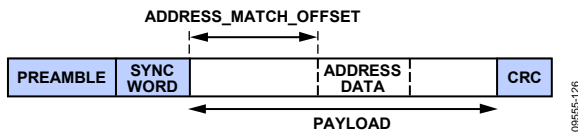


Figure 55. Address Match Offset

Table 19. Address Check Register Setup

| Address (BBRAM)             | Description <sup>1</sup>   |
|-----------------------------|--|
| 0x129, ADDRESS_MATCH_OFFSET | Position of first address byte in the received packet (first byte after sync word = 0) |
| 0x12A, ADDRESS_LENGTH       | Number of bytes in the first address field (N <sub>ADR_1</sub> )                       |
| 0x12B                       | Address 1 Match Byte 0   |
| 0x12C                       | Address 1 Mask Byte 0  |
| 0x12D                       | Address 1 Match Byte 1   |
| 0x12E                       | Address 1 Mask Byte 1  |
| ...                         | ...  |
|                             | Address 1 Match Byte N <sub>ADR_1</sub> - 1  |
|                             | Address 1 Mask Byte N <sub>ADR_1</sub> - 1   |
|                             | 0x00 to end or N <sub>ADR_2</sub> for another address check sequence                   |

<sup>1</sup> N<sub>ADR\_1</sub> = the number of bytes in the first address field; N<sub>ADR\_2</sub> = the number of bytes in the second address field.

The host processor should set the INTERRUPT\_ADDRESS\_MATCH bit in the INTERRUPT\_SOURCE\_0 register (Address 0x336) if an interrupt is required on the IRQ\_GP3 pin. Additional information on interrupts is contained in the Interrupt Generation section.

Table 21. CRC Setup

| CRC_EN Bit in the PACKET_LENGTH_CONTROL Register | PROG_CRC_EN Bit in the SYMBOL_MODE Register | Description  |
|--|---|--|
| 0  | X <sup>1</sup>                              | CRC is disabled in transmit, and CRC detection is disabled in receive.   |
| 1  | 0   | CRC is enabled in transmit, and CRC detection is enabled in receive, with the default CRC polynomial.                              |
| 1  | 1   | CRC is enabled in transmit, and CRC detection is enabled in receive, with the CRC polynomial defined by CRC_POLY_0 and CRC_POLY_1. |

<sup>1</sup> X = don't care.

### Example Address Check

Consider a system with 16-bit address lengths, in which the first byte is located in the 10<sup>th</sup> byte of the received payload data. The system also uses broadcast addresses in which the first byte is always 0xAA. To match the exact address, 0xABCD or any broadcast address in the form 0xAAXX, the ADF7023-J must be configured as shown in Table 20.

Table 20. Example Address Check Configuration

| BBRAM Address | Value | Description   |
|---------------|-------|---|
| 0x129         | 0x09  | Location in payload of the first address byte                       |
| 0x12A         | 0x02  | Number of bytes in the first address field, N <sub>ADR_1</sub> = 2  |
| 0x12B         | 0xAB  | Address 1 Match Byte 0  |
| 0x12C         | 0xFF  | Address 1 Mask Byte 0   |
| 0x12D         | 0xCD  | Address 1 Match Byte 1  |
| 0x12E         | 0xFF  | Address 1 Mask Byte 1   |
| 0x12F         | 0x02  | Number of bytes in the second address field, N <sub>ADR_2</sub> = 2 |
| 0x130         | 0xAA  | Address 2 Match Byte 0  |
| 0x131         | 0xFF  | Address 2 Mask Byte 0   |
| 0x132         | 0x00  | Address 2 Match Byte 1  |
| 0x133         | 0x00  | Address 2 Mask Byte 1   |
| 0x134         | 0x00  | End of addresses (indicated by 0x00)                                |
| 0x135         | 0xFF  | Don't care  |
| 0x136         | 0xFF  | Don't care  |
| 0x137         | 0xFF  | Don't care  |

### CRC

An optional CRC-16 can be appended to the packet by setting CRC\_EN = 1 in the PACKET\_LENGTH\_CONTROL register (Address 0x126). In receive mode, this bit enables CRC detection on the received packet. A default polynomial is used if PROG\_CRC\_EN = 0 in the SYMBOL\_MODE register (Address 0x11C). The default CRC polynomial is

$$g(x) = x^{16} + x^{12} + x^5 + 1$$

Any other 16-bit polynomial can be used if PROG\_CRC\_EN = 1, and the polynomial is set in CRC\_POLY\_0 and CRC\_POLY\_1 (Address 0x11E and Address 0x11F, respectively). The setup of the CRC is described in Table 21. The CRC is initialized with 0x0000.

To convert a user-defined polynomial to the 2-byte value, the polynomial should be written in binary format. The  $x^{16}$  coefficient is assumed equal to 1 and is, therefore, discarded. The remaining 16 bits then make up CRC\_POLY\_0 (most significant byte) and CRC\_POLY\_1 (least significant byte). Two examples of setting common 16-bit CRCs are shown in Table 22.

**Table 22. Example Programming of CRC\_POLY\_0 and CRC\_POLY\_1**

| Polynomial   | Binary Format             | CRC_POLY_0 | CRC_POLY_1 |
|--|---------------------------|------------|------------|
| $x^{16} + x^{15} + x^2 + 1$<br>(CRC-16-IBM)  | 1_1000_0000_<br>0000_0101 | 0x80       | 0x05       |
| $x^{16} + x^{13} + x^{12} + x^{11} + x^{10} + x^8 + x^6 + x^5 + x^2 + 1$<br>(CRC-16-DNP) | 1_0011_1101_<br>0110_0101 | 0x3D       | 0x65       |

To enable CRC detection on the receiver, with the default CRC or user-defined 16-bit CRC, CRC\_EN in the PACKET\_LENGTH\_CONTROL register (Address 0x126) should be set to 1. An interrupt can be generated on reception of a CRC verified packet (see the Interrupt Generation section).

**POSTAMBLE**

The communications processor automatically appends two bytes of postamble to the end of the transmitted packet. Each byte of the postamble is 0x55. The first byte is transmitted immediately after the CRC. The PA ramp-down begins immediately after the first postamble byte. The second byte is transmitted while the PA is ramping down.

On the receiver, if the received packet is valid, the RSSI is automatically measured during the first postamble byte, and the result is stored in the RSSI\_READBACK register (Address 0x312). The RSSI is measured by the communications processor 17  $\mu$ s after the last CRC bit.

**TRANSMIT PACKET TIMING**

The PA ramp timing in relation to the transmit packet data is described in Figure 56. After the CMD\_PHY\_TX command is issued, a VCO calibration is carried out, followed by a delay for synthesizer settling. The PA ramp follows the synthesizer settling. After the PA is ramped up to the programmed rate, there is 1-byte delay before the start of modulation (preamble). At the beginning of the second byte of postamble, the PA ramps down. The communications processor then transitions to the PHY\_ON state or the PHY\_RX state (if the TX\_TO\_RX\_AUTO\_TURNAROUND is enabled or the CMD\_PHY\_RX command is issued).

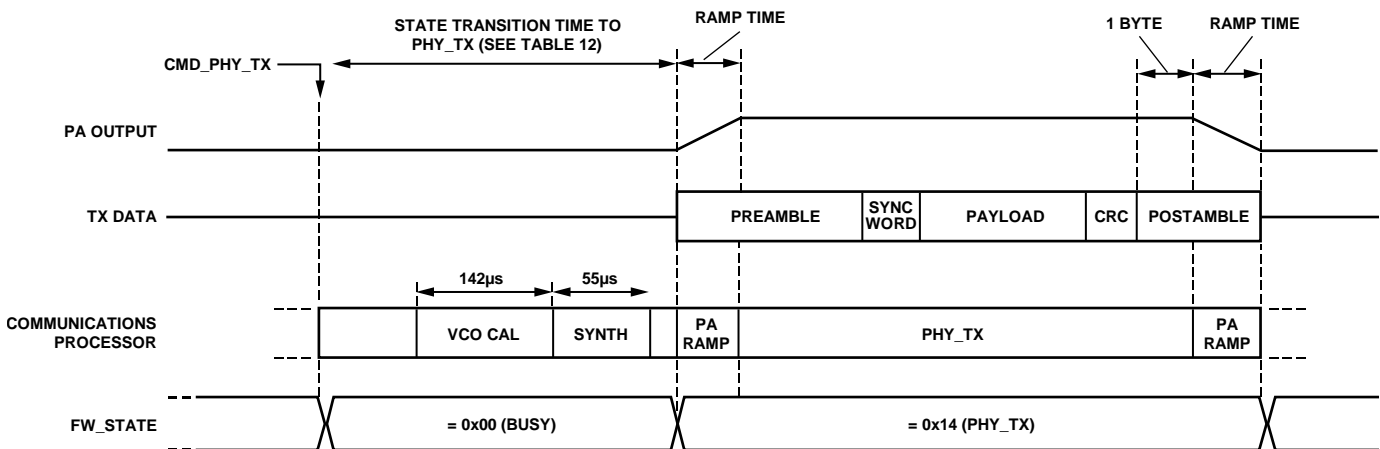


Figure 56. Transmit Packet Timing

09555-127

**DATA WHITENING**

Data whitening can be employed to avoid long runs of 1s or 0s in the transmitted data stream. This ensures sufficient bit transitions in the packet, which aids in receiver clock and data recovery because the encoding breaks up long runs of 1s or 0s in the transmit packet. The data, excluding the preamble and sync word, is automatically whitened before transmission by XOR'ing the data with an 8-bit pseudorandom sequence. At the receiver, the data is XORed with the same pseudorandom sequence, thereby reversing the whitening. The linear feedback shift register polynomial used is  $x^7 + x^1 + 1$ . Data whitening and dewatering are enabled by setting DATA\_WHITENING = 1 in the SYMBOL\_MODE register (Address 0x11C).

**MANCHESTER ENCODING**

Manchester encoding can be used to ensure a dc-free (zero mean) transmission. The encoded over-the-air bit rate (chip rate) is double the rate set by the DATA\_RATE variable (Address 0x10C and Address 0x10D). A Binary 0 is mapped to 10, and a Binary 1 is

mapped to 01. Manchester encoding and decoding are applied to the payload data and the CRC. Manchester encoding and decoding are enabled by setting MANCHESTER\_ENC = 1 in the SYMBOL\_MODE register (Address 0x11C).

**8b/10b ENCODING**

8b/10b encoding is a byte-orientated encoding scheme that maps an 8-bit byte to a 10-bit data block. It ensures that the maximum number of consecutive 1s or 0s (that is, run length) in any 10-bit transmitted symbol is five. The advantage of this encoding scheme is that dc balancing is employed without the efficiency loss of Manchester encoding. The rate loss for 8b/10b encoding is 0.8, whereas for Manchester encoding, it is 0.5. Encoding and decoding are applied to the payload data and the CRC. The 8b/10b encoding and decoding are enabled by setting EIGHT\_TEN\_ENC = 1 in the SYMBOL\_MODE register (Address 0x11C).

## INTERRUPT GENERATION

The ADF7023-J uses a highly flexible, powerful interrupt system with support for MAC level interrupts and PHY level interrupts. To enable an interrupt source, the corresponding mask bit must be set. When an enabled interrupt occurs, the IRQ\_GP3 pin goes high, and the interrupt bit of the status word is set to Logic 1. The host processor can use either the IRQ\_GP3 pin or the status word to check for an interrupt. After an interrupt is asserted, the ADF7023-J continues operations unaffected, unless it is directed to do otherwise by the host processor. An outline of the interrupt source and mask system is shown in Table 23.

MAC interrupts can be enabled by writing a Logic 1 to the relevant bits of the INTERRUPT\_MASK\_0 register (Address 0x100) and PHY level interrupts by writing a Logic 1 to the relevant bits of the INTERRUPT\_MASK\_1 register (Address 0x101). The structure of these memory locations is described in Table 23.

In the case of an interrupt condition, the interrupt source can be determined by reading the INTERRUPT\_SOURCE\_0 register (Address 0x336) and the INTERRUPT\_SOURCE\_1 register (Address 0x337). The bit that corresponds to the relevant interrupt condition is high. The structure of these two registers is shown in Table 24.

Following an interrupt condition, the host processor should clear the relevant interrupt flag so that further interrupts assert the IRQ\_GP3 pin. This is performed by writing a Logic 1 to the bit that is high in either the INTERRUPT\_SOURCE\_0 or the INTERRUPT\_SOURCE\_1 register. If multiple bits in the interrupt source registers are high, they can be cleared individually or altogether by writing Logic 1 to them. The IRQ\_GP3 pin goes low when all the interrupt source bits are cleared.

As an example, take the case where a battery alarm (in the INTERRUPT\_SOURCE\_1 register) interrupt occurs. The host processor should do the following:

1. Read the interrupt source registers. In this example, if none of the interrupt flags in INTERRUPT\_SOURCE\_0 are enabled, only INTERRUPT\_SOURCE\_1 must be read.
2. Clear the interrupt by writing 0x80 (or 0xFF) to INTERRUPT\_SOURCE\_1.
3. Respond to the interrupt condition.

**Table 23. Structure of the Interrupt Mask Registers**

| Register                           | Bit | Name                      | Description   |
|------------------------------------|-----|---------------------------|---|
| INTERRUPT_MASK_0,<br>Address 0x100 | 7   | INTERRUPT_NUM_WAKEUPS     | Interrupt when the number of WUC wake-ups (NUMBER_OF_WAKEUPS[15:0]) has reached the threshold (NUMBER_OF_WAKEUPS_IRQ_THRESHOLD[15:0])<br>1: interrupt enabled; 0: interrupt disabled                        |
|                                    | 6   | INTERRUPT_SWM_RSSI_DET    | Interrupt when the measured RSSI during smart wake mode has exceeded the RSSI threshold value (SWM_RSSI_THRESH, Address 0x108)<br>1: interrupt enabled; 0: interrupt disabled                               |
|                                    | 5   | INTERRUPT_AES_DONE        | Interrupt when an AES encryption or decryption command is complete; available only when the AES firmware module has been loaded to the ADF7023-J program RAM<br>1: interrupt enabled; 0: interrupt disabled |
|                                    | 4   | INTERRUPT_TX_EOF          | Interrupt when a packet has finished transmitting<br>1: interrupt enabled; 0: interrupt disabled  |
|                                    | 3   | INTERRUPT_ADDRESS_MATCH   | Interrupt when a received packet has a valid address match<br>1: interrupt enabled; 0: interrupt disabled   |
|                                    | 2   | INTERRUPT_CRC_CORRECT     | Interrupt when a received packet has the correct CRC<br>1: interrupt enabled; 0: interrupt disabled   |
|                                    | 1   | INTERRUPT_SYNC_DETECT     | Interrupt when a qualified sync word has been detected in the received packet<br>1: interrupt enabled; 0: interrupt disabled  |
|                                    | 0   | INTERRUPT_PREAMBLE_DETECT | Interrupt when a qualified preamble has been detected in the received packet<br>1: interrupt enabled; 0: interrupt disabled   |

| Register                           | Bit | Name          | Description  |
|------------------------------------|-----|---------------|--|
| INTERRUPT_MASK_1,<br>Address 0x101 | 7   | BATTERY_ALARM | Interrupt when the battery voltage has dropped below the threshold value (BATTERY_MONITOR_THRESHOLD_VOLTAGE, Address 0x32D)<br>1: interrupt enabled; 0: interrupt disabled |
|                                    | 6   | CMD_READY     | Interrupt when the communications processor is ready to load a new command; mirrors the CMD_READY bit of the status word<br>1: interrupt enabled; 0: interrupt disabled    |
|                                    | 5   | Reserved      |  |
|                                    | 4   | WUC_TIMEOUT   | Interrupt when the WUC has timed out<br>1: interrupt enabled; 0: interrupt disabled  |
|                                    | 3   | Reserved      |  |
|                                    | 2   | Reserved      |  |
|                                    | 1   | SPI_READY     | Interrupt when the SPI is ready for access<br>1: interrupt enabled; 0: interrupt disabled  |
|                                    | 0   | CMD_FINISHED  | Interrupt when the communications processor has finished performing a command<br>1: interrupt enabled; 0: interrupt disabled   |

Table 24. Structure of the Interrupt Source Registers

| Register                              | Bit | Name                      | Interrupt Description   |
|---------------------------------------|-----|---------------------------|---|
| INTERRUPT_SOURCE_0,<br>Address: 0x336 | 7   | INTERRUPT_NUM_WAKEUPS     | Asserted when the number of WUC wake-ups (NUMBER_OF_WAKEUPS[15:0]) has reached the threshold (NUMBER_OF_WAKEUPS_IRQ_THRESHOLD[15:0])  |
|                                       | 6   | INTERRUPT_SWM_RSSI_DET    | Asserted when the measured RSSI during smart wake mode has exceeded the RSSI threshold value (SWM_RSSI_THRESH, Address 0x108)   |
|                                       | 5   | INTERRUPT_AES_DONE        | Asserted when an AES encryption or decryption command is complete; available only when the AES firmware module has been loaded to the <a href="#">ADF7023-J</a> program RAM |
|                                       | 4   | INTERRUPT_TX_EOF          | Asserted when a packet has finished transmitting (packet mode only)   |
|                                       | 3   | INTERRUPT_ADDRESS_MATCH   | Asserted when a received packet has a valid address match (packet mode only)  |
|                                       | 2   | INTERRUPT_CRC_CORRECT     | Asserted when a received packet has the correct CRC (packet mode only)  |
|                                       | 1   | INTERRUPT_SYNC_DETECT     | Asserted when a qualified sync word has been detected in the received packet  |
|                                       | 0   | INTERRUPT_PREAMBLE_DETECT | Asserted when a qualified preamble has been detected in the received packet   |
| INTERRUPT_SOURCE_1,<br>Address: 0x337 | 7   | BATTERY_ALARM             | Asserted when the battery voltage has dropped below the threshold value (BATTERY_MONITOR_THRESHOLD_VOLTAGE, Address 0x32D)  |
|                                       | 6   | CMD_READY                 | Asserted when the communications processor is ready to load a new command; mirrors the CMD_READY bit of the status word   |
|                                       | 5   | Reserved                  |   |
|                                       | 4   | WUC_TIMEOUT               | Asserted when the WUC has timed out   |
|                                       | 3   | Reserved                  |   |
|                                       | 2   | Reserved                  |   |
|                                       | 1   | SPI_READY                 | Asserted when the SPI is ready for access   |
|                                       | 0   | CMD_FINISHED              | Asserted when the communications processor has finished performing a command  |

**INTERRUPTS IN SPORT MODE**

In sport mode, the interrupts from INTERRUPT\_SOURCE\_1 are all available. However, only INTERRUPT\_NUM\_WAKEUPS, INTERRUPT\_SWM\_RSSI\_DET, INTERRUPT\_PREAMBLE\_DETECT and INTERRUPT\_SYNC\_DETECT are available from INTERRUPT\_SOURCE\_0. A second interrupt pin is provided

on GP4, which gives a dedicated sport mode interrupt on either preamble or sync word detection. For more details, see the Sport Mode section.

Following receipt of the packet in SPORT mode, re-issue the PHY\_RX command to re-enable the interrupts for the next packet.



## ADF7023-J MEMORY MAP

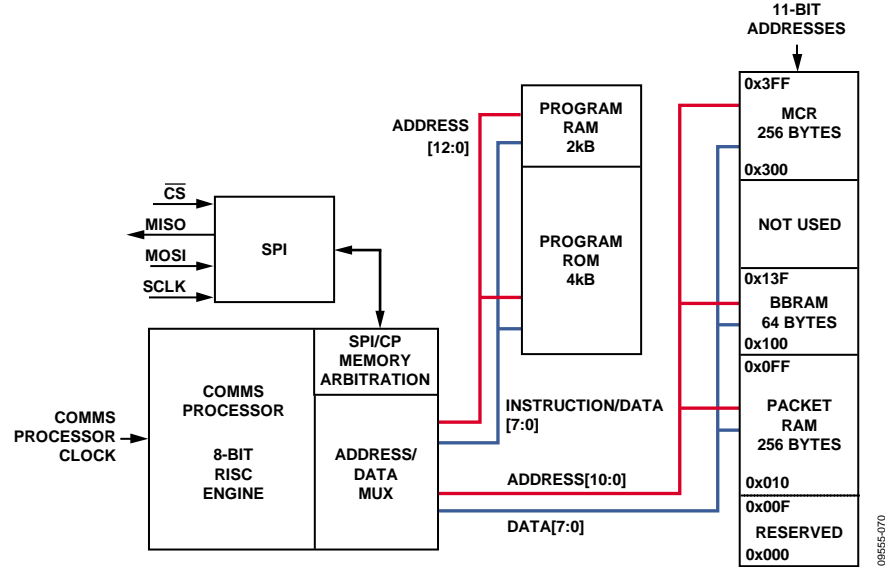


Figure 57. ADF7023-J Memory Map

This section describes the various memory locations used by the ADF7023-J. The radio control, packet management, and smart wake mode capabilities of the part are realized using an integrated RISC processor, which executes instructions stored in the embedded program ROM. There is also a local RAM, subdivided into three sections, that is used as a data packet buffer, both for transmitted and received data (packet RAM), and for storing the radio and packet management configuration (BBRAM and MCR). The RAM addresses of these memory banks are 11 bits long.

### BBRAM

The battery backup RAM contains the main radio and packet management registers used to configure the radio. On application of battery power to the ADF7023-J for the first time, the entire BBRAM should be initialized by the host processor with the appropriate settings. After the BBRAM is written to, the CMD\_CONFIG\_DEV command should be issued to update the radio and communications processor with the current BBRAM settings. The CMD\_CONFIG\_DEV command can be issued in the PHY\_OFF state or the PHY\_ON state only.

The BBRAM is used to maintain settings needed at wake-up from sleep mode by the wake-up controller. Upon wake-up from sleep, in smart wake mode, the BBRAM contents are read by the on-chip processor to recover the packet management and radio parameters.

### MODEM CONFIGURATION RAM (MCR)

The 256-byte modem configuration RAM (MCR) contains the various registers used for direct control or observation of the physical layer radio blocks of the ADF7023-J. The contents of the MCR are not retained in the PHY\_SLEEP state.

### PROGRAM ROM

The program ROM consists of 4 kB of nonvolatile memory. It contains the firmware code for radio control, packet management, and smart wake mode.

### PROGRAM RAM

The program RAM consists of 2 kB of volatile memory. This memory space is used for software modules, such as AES encryption, IR calibration, and Reed-Solomon coding, which are available from Analog Devices. The software modules are downloaded to the program RAM memory space over the SPI by the host processor. See the Downloadable Firmware Modules section for details on loading a firmware module to program RAM.

**PACKET RAM**

The packet RAM consists of 256 bytes of memory space. The first 16 bytes of this memory space are allocated for use by the on-chip processor. The remaining 240 bytes of this memory space are allocated for storage of data from valid received packets and packet data to be transmitted. The communications processor stores received payload data at the memory location indicated by the value of the RX\_BASE\_ADR register (Address 0x125), the receive address pointer. The value of the TX\_BASE\_ADR

register (Address 0x124), the transmit address pointer, determines the start address of data to be transmitted by the communications processor. This memory can be arbitrarily assigned to store single or multiple transmit or receive packets, with and without overlap. The RX\_BASE\_ADR value should be chosen to ensure that there is enough allocated packet RAM space for the maximum receiver payload length.

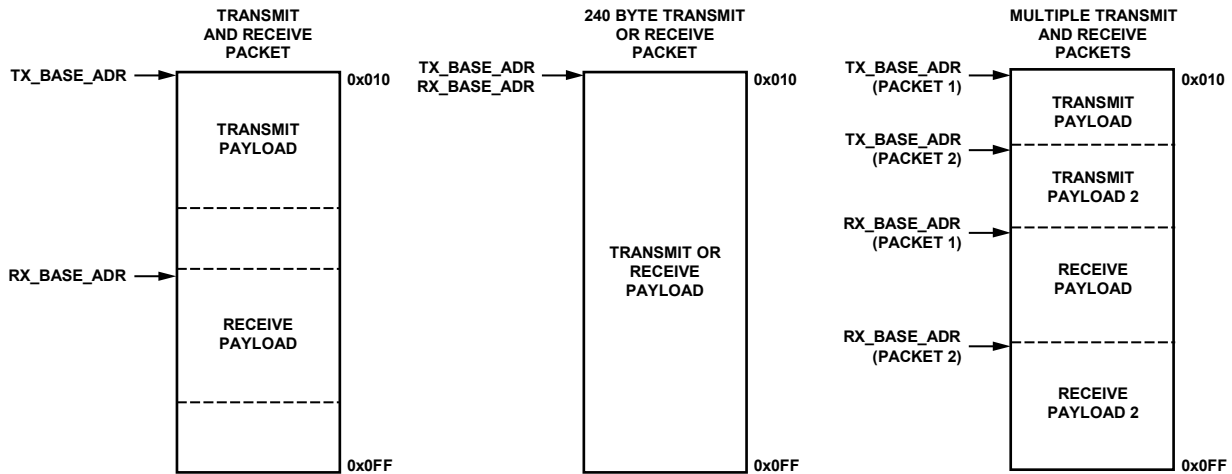


Figure 58. Example Packet RAM Configurations Using the Tx Packet and Rx Packet Address Pointers

0955-071

# SPI INTERFACE

## GENERAL CHARACTERISTICS

The ADF7023-J is equipped with a 4-wire SPI interface, using the SCLK, MISO, MOSI, and  $\overline{CS}$  pins. The ADF7023-J always acts as a slave to the host processor. Figure 59 shows an example connection diagram between the processor and the ADF7023-J. The diagram also shows the direction of the signal flow for each pin. The SPI interface is active, and the MISO outputs enabled, only while the  $\overline{CS}$  input is low. The interface uses a word length of eight bits, which is compatible with the SPI hardware of most processors. The data transfer through the SPI interface occurs with the most significant bit first. The MOSI input is sampled at the rising edge of SCLK. As commands or data are shifted in from the MOSI input at the SCLK rising edge, the status word or data is shifted out at the MISO pin synchronous with the SCLK clock falling edge. If  $\overline{CS}$  is brought low, the most significant bit of the status word appears on the MISO output without the need for a rising clock edge on the SCLK input.

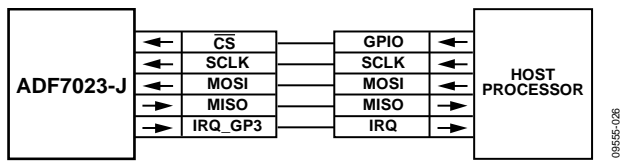


Figure 59. SPI Interface Connections

## COMMAND ACCESS

The ADF7023-J is controlled through commands. Command words are single octet instructions that control the state transitions of the communications processor and access to the registers and packet RAM. The complete list of valid commands is given in the Command Reference section. Commands that have a CMD prefix are handled by the communications processor. Memory access commands have an SPI prefix and are handled by an independent controller. Thus, SPI commands can be issued independent of the state of the communications processor.

A command is initiated by bringing  $\overline{CS}$  low and shifting in the command word over the SPI, as shown in Figure 60. All commands are executed on the last positive edge of the SCLK input. The  $\overline{CS}$  input must be brought high again after a command has been shifted into the ADF7023-J to enable the recognition of successive command words. This is because a single command can be issued only during a  $\overline{CS}$  low period (with the exception of a double NOP command).

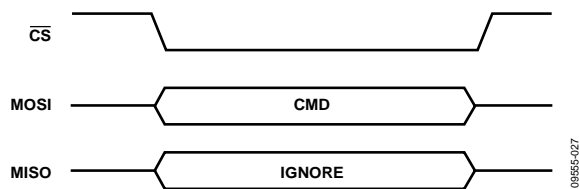


Figure 60. Command Write (No Parameters)

## STATUS WORD

The status word of the ADF7023-J is automatically returned over the MISO each time a byte is transferred over the MOSI. Shifting in double SPI\_NOP commands (see Table 27) causes the status word to be shifted out as shown in Figure 61. The meaning of the various bit fields is illustrated in Table 25. The FW\_STATE variable can be used to read the current state of the communications processor and is described in Table 26. If it is busy performing an action or state transition, FW\_STATE is busy. The FW\_STATE variable also indicates the current state of the radio.

The SPI\_READY variable is used to indicate when the SPI is ready for access. The CMD\_READY variable is used to indicate when the communications processor is ready to accept a new command. The status word should be polled and the CMD\_READY bit examined before issuing a command to ensure that the communications processor is ready to accept a new command. It is not necessary to check the CMD\_READY bit before issuing a SPI memory access command. It is possible to queue one command while the communications processor is busy. This is discussed in the Command Queuing section.

The ADF7023-J interrupt handler can also be configured to generate an interrupt signal on IRQ\_GP3 when the communications processor is ready to accept a new command (CMD\_READY in the INTERRUPT\_SOURCE\_1 register [Address 0x337]) or when it has finished processing a command (CMD\_FINISHED in the INTERRUPT\_SOURCE\_1 register [Address 0x337]).

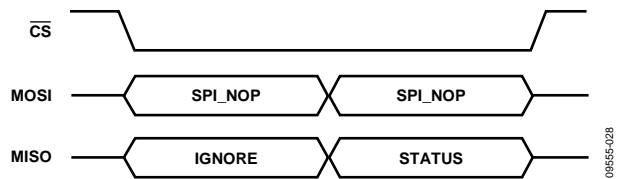


Figure 61. Reading the Status Word Using a Double SPI\_NOP Command

Table 25. Status Word

| Bit   | Name       | Description  |
|-------|------------|--|
| [7]   | SPI_READY  | 0: SPI is not ready for access.<br>1: SPI is ready for access.   |
| [6]   | IRQ_STATUS | 0: no pending interrupt condition.<br>1: pending interrupt condition (mirrors the IRQ_GP3 pin).  |
| [5]   | CMD_READY  | 0: the radio controller is not ready to receive a radio controller command.<br>1: the radio controller is ready to receive a radio controller command. |
| [4:0] | FW_STATE   | Indicates the ADF7023-J state (in Table 26).   |

Table 26. FW\_STATE Description

| Value | State                               |
|-------|-------------------------------------|
| 0x0F  | Initializing                        |
| 0x00  | Busy, performing a state transition |
| 0x11  | PHY_OFF                             |
| 0x12  | PHY_ON                              |
| 0x13  | PHY_RX                              |
| 0x14  | PHY_TX                              |
| 0x06  | PHY_SLEEP                           |
| 0x05  | Performing CMD_GET_RSSI             |
| 0x08  | Performing CMD_AES_DECRYPT_INIT     |
| 0x09  | Performing CMD_AES_DECRYPT          |
| 0x0A  | Performing CMD_AES_ENCRYPT          |

**COMMAND QUEUING**

The CMD\_READY status bit is used to indicate that the command queue used by the communications processor is empty. The queue is one command deep. The FW\_STATE bit is used to indicate the state of the communications processor. The operation of the status word and these bits is illustrated in Figure 62 when a CMD\_PHY\_ON command is issued in the PHY\_OFF state.

Operation of the status word when a command is being queued is illustrated in Figure 63 when a CMD\_PHY\_ON command is issued in the PHY\_OFF state followed quickly by a CMD\_PHY\_RX command. The CMD\_PHY\_RX command is issued while FW\_STATE is busy (that is, transitioning between the PHY\_OFF and PHY\_ON states) but the CMD\_READY bit is high, indicating that the command queue is empty. After the CMD\_PHY\_RX command is issued, the CMD\_READY bit transitions to a logic low, indicating that the command queue is full. After the PHY\_OFF to PHY\_ON transition is finished, the PHY\_RX command is processed immediately by the communications processor, and the CMD\_READY bit goes high, indicating that the command queue is empty and another command can be issued.

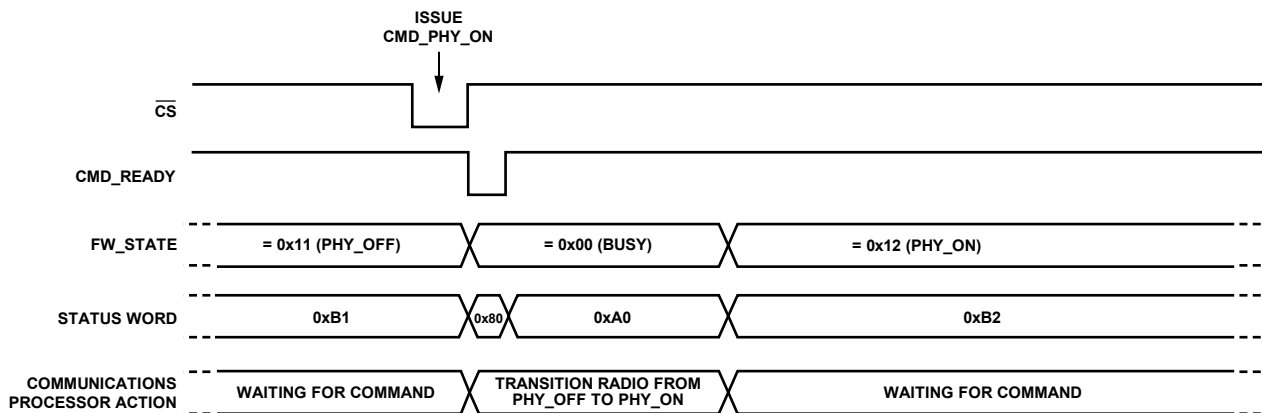


Figure 62. Operation of the CMD\_READY and FW\_STATE Bits in Transitioning the ADF7023-J from the PHY\_OFF State to the PHY\_ON State

09555-138

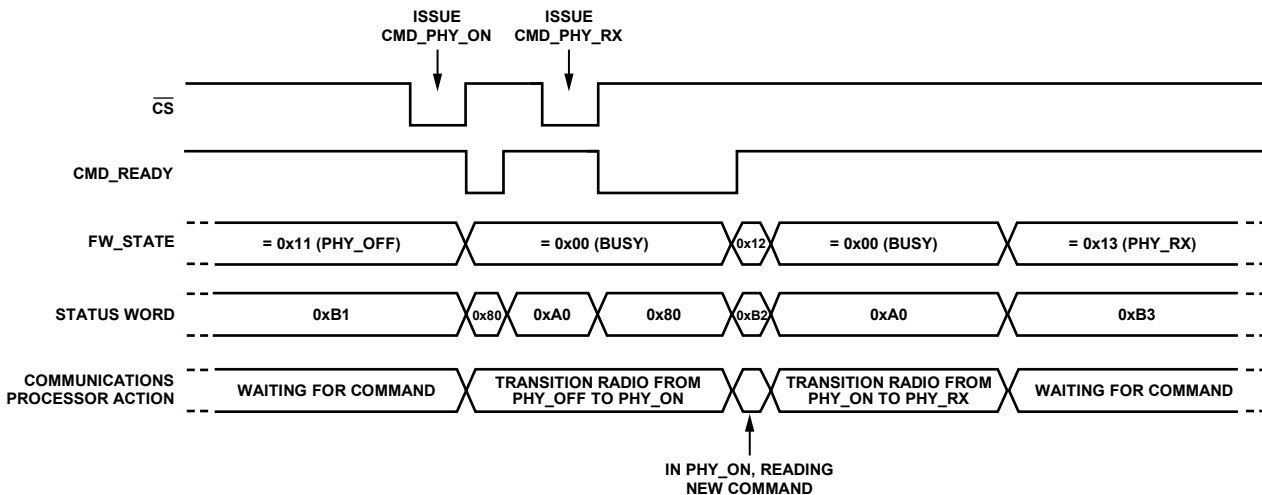


Figure 63. Command Queuing and Operation of the CMD\_READY and FW\_STATE Bits in Transitioning the ADF7023-J from the PHY\_OFF State to the PHY\_ON State and Then to the PHY\_RX State

09555-138

**MEMORY ACCESS**

Memory locations are accessed by invoking the relevant SPI command. An 11-bit address is used to identify registers or locations in the memory space. The most significant three bits of the address are incorporated into the SPI command by appending them as the LSBs of the command word. Figure 64 illustrates command, address, and data partitioning. The various SPI memory access commands are different, depending on the memory location being accessed (see Table 27).

An SPI command should be issued only if the SPI\_READY bit in the INTERRUPT\_SOURCE\_1 register (Address 0x337) of the status word bit is high. The ADF7023-J interrupt handler can also be configured to generate an interrupt signal on IRQ\_GP3 when the SPI\_READY bit is high.

An SPI command should not be issued while the communications processor is initializing (FW\_STATE = 0x0F). SPI commands can be issued in any other communications processor state, including the busy state (FW\_STATE = 0x00). This allows the ADF7023-J memory to be accessed while the radio is transitioning between states.

The SPI\_MEM\_WR command code is 00011xxx<sub>b</sub>, where xxx<sub>b</sub> represent Bits[10:8] of the first 11-bit address. If more than one data byte is written, the write address is automatically incremented for every byte sent until CS is set high, which terminates the memory access command (see Figure 65 for more details). The maximum block write for the MCR, packet RAM, and BBRAM memories is 256 bytes, 256 bytes, and 64 bytes, respectively. These maximum block-write lengths should not be exceeded.

**Example**

Write 0x00 to the ADC\_CONFIG\_HIGH register (Address 0x35A).

- The first five bits of the SPI\_MEM\_WR command are 00011.
- The 11-bit address of ADC\_CONFIG\_HIGH is 01101011010.
- The first byte sent is 00011011 or 0x1B.
- The second byte sent is 01011010 or 0x5A.
- The third byte sent is 0x00.

Thus, 0x1B, 0x5A, 0x00 is written to the part.

**Block Write**

MCR, BBRAM, and packet RAM memory locations can be written to in block format using the SPI\_MEM\_WR command.

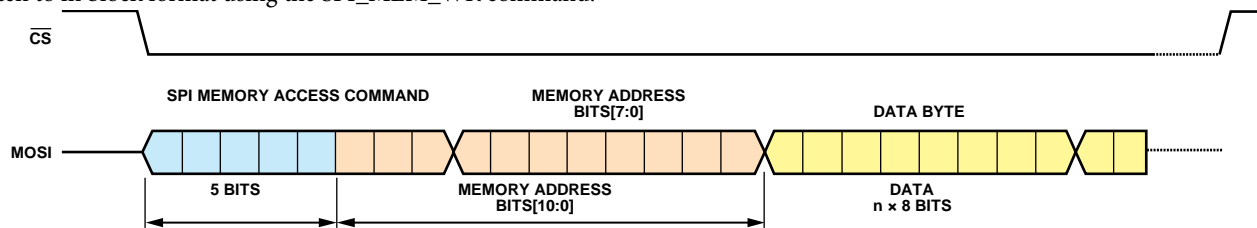


Figure 64. SPI Memory Access Command/Address Format

Table 27. Summary of SPI Memory Access Commands

| SPI Command | Command Value  | Description   |
|-------------|--|---|
| SPI_MEM_WR  | 0x18 (packet RAM),<br>0x19 (BBRAM),<br>0x1B (MCR),<br>0x1E (program RAM) | Write data to BBRAM, MCR, or packet RAM sequentially. An 11-bit address is used to identify memory locations. The most significant three bits of the address are incorporated into the command (xxx <sub>b</sub> ). This command is followed by the remaining eight bits of the address.  |
| SPI_MEM_RD  | 0x38 (packet RAM),<br>0x39 (BBRAM),<br>0x3B (MCR)                        | Read data from BBRAM, MCR, or packet RAM sequentially. An 11-bit address is used to identify memory locations. The most significant three bits of the address are incorporated into the command (xxx <sub>b</sub> ). This command is followed by the remaining eight bits of the address, which is subsequently followed by the appropriate number of SPI_NOP commands. |
| SPI_MEMR_WR | 0x08 (packet RAM),<br>0x09 (BBRAM),<br>0x0B (MCR)                        | Write data to BBRAM, MCR, or packet RAM nonsequentially.  |
| SPI_MEMR_RD | 0x28 (packet RAM),<br>0x29 (BBRAM),<br>0x2B (MCR)                        | Read data from BBRAM, MCR, or packet RAM nonsequentially.   |
| SPI_NOP     | 0xFF   | No operation. Use for dummy writes when polling the status word. Also used as dummy data on the MOSI line when performing a memory read.  |

**Random Address Write**

MCR, BBRAM, and packet RAM memory locations can be written to in a nonsequential manner using the SPI\_MEMR\_WR command. The SPI\_MEMR\_WR command code is 00001xxxxb, where xxxb represent Bits[10:8] of the 11-bit address. The lower eight bits of the address should follow this command and then the data byte to be written to the address. The lower eight bits of the next address are entered, followed by the data for that address until all required addresses within that block are written, as shown in Figure 66.

**Program RAM Write**

The program RAM can be written to only by using the memory block write, as illustrated in Figure 65. SPI\_MEM\_WR should be set to 0x1E. See the Downloadable Firmware Modules section for details on loading a firmware module to program RAM.

**Block Read**

MCR, BBRAM, and packet RAM memory locations can be read from in block format using the SPI\_MEM\_RD command. The SPI\_MEM\_RD command code is 0011xxxxb, where xxxb represent Bits[10:8] of the first 11-bit address. This command is followed by the remaining eight bits of the address to be read and then two SPI\_NOP commands (dummy byte). The first byte available after writing the address should be ignored, with the second byte constituting valid data. If more than one data byte is to be read, the write address is automatically incremented for subsequent SPI\_NOP commands sent. See Figure 67 for more details.

**Random Address Read**

MCR, BBRAM, and packet RAM memory locations can be read from memory in a nonsequential manner using the SPI\_MEMR\_RD command. The SPI\_MEMR\_RD command code is 00101xxxxb, where xxxb represent Bits[10:8] of the 11-bit address. This command is followed by the remaining eight bits of the address to be written. Each subsequent address byte is then written. The last address byte to be written should be followed by two SPI\_NOP commands, as shown in Figure 68. The data bytes from memory, starting at the first address location, are available after the second status byte.

**Example**

Read the value stored in the ADC\_CONFIG\_HIGH register.

- The first five bits of the SPI\_MEM\_RD command are 00111.
- The 11-bit address of ADC\_CONFIG\_HIGH is 01101011010.
- The first byte sent is 00111010 or 0x3B.
- The second byte sent is 01011010 or 0x5A.
- The third byte sent is 0xFF (SPI\_NOP).
- The fourth byte sent is 0xFF.

Thus, 0x3B5AFFFF is written to the part.

The value shifted out on the MISO line while the fourth byte is sent is the value stored in the ADC\_CONFIG\_HIGH register.

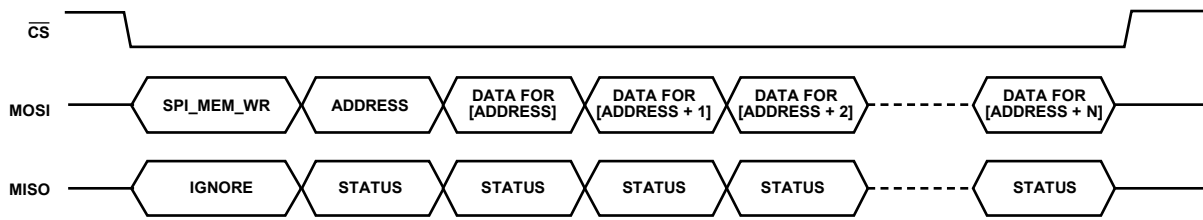


Figure 65. Memory (MCR, BBRAM, or Packet RAM) Block Write

09555-030

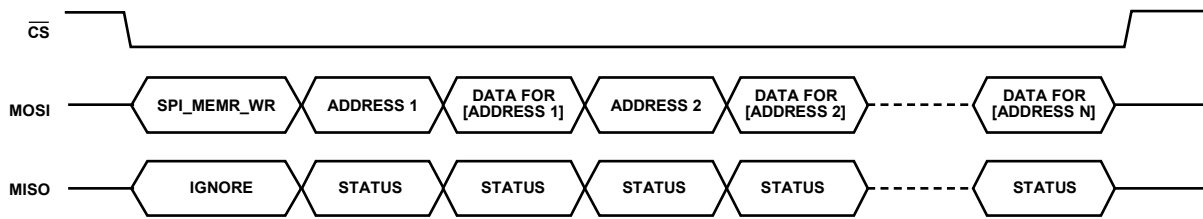


Figure 66. Memory (MCR, BBRAM, or Packet RAM) Random Address Write

09555-142

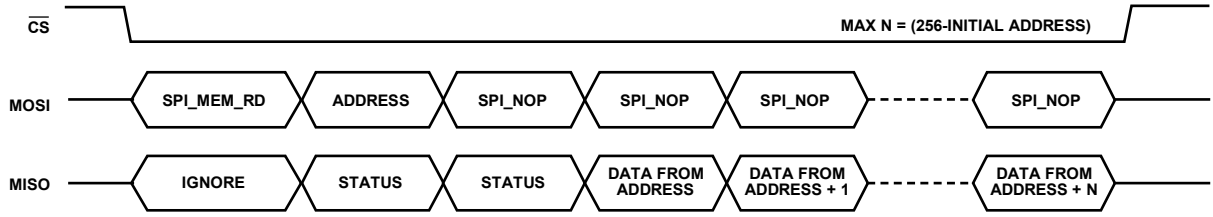


Figure 67. Memory (MCR, BBRAM, or Packet RAM) Block Read

0955-143

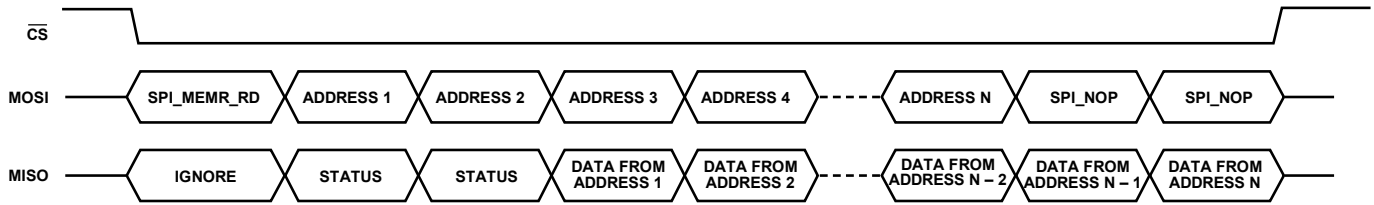


Figure 68. Memory (MCR, BBRAM, or Packet RAM) Random Address Read

0955-144

## LOW POWER MODES

The [ADF7023-J](#) can be configured to operate in a broad range of energy sensitive applications where battery lifetime is critical. This includes support for applications where the [ADF7023-J](#) is required to operate in a fully autonomous mode or applications where the host processor controls the transceiver during low power mode operation. These low power modes are implemented using a hardware wake-up controller (WUC), a firmware timer, and the smart wake mode functionality of the on-chip communications processor. The hardware WUC is a low power WUC that comprises a 16-bit wake-up timer with a programmable prescaler. The 32.768 kHz RCOSC or XOSC provides the clock source for the timer.

The firmware timer is a software timer residing on the [ADF7023-J](#). The firmware timer is used to count the number of WUC timeouts and can be used to count the number of [ADF7023-J](#) wake-ups.

The WUC and the firmware timer, therefore, provide a real-time clock capability.

Using the low power WUC and the firmware timer, the SWM firmware allows the [ADF7023-J](#) to wake up autonomously from sleep without intervention from the host processor. During this wake-up period, the [ADF7023-J](#) is controlled by the communications processor. This functionality allows carrier sense, packet sniffing, and packet reception while the host processor is in sleep, thereby dramatically reducing overall system current consumption. The smart wake mode can then wake the host processor on an interrupt condition. An overview of the low power mode configuration is shown in Figure 69, and the register settings that are used for the various low power modes are described in Table 28.



Table 28. Settings for Low Power Modes

| Low Power Mode   | Memory Address                             | Register   | Bit              | Name  | Description  |
|------------------|--|--|------------------|---|--|
| Deep Sleep Modes | 0x30D <sup>1</sup>                         | WUC_CONFIG_LOW   | 3                | WUC_BBRAM_EN  | 0: BBRAM contents are not retained during PHY_SLEEP.<br>1: BBRAM contents are retained during PHY_SLEEP.   |
| WUC              | 0x30C <sup>1</sup>                         | WUC_CONFIG_HIGH  | [2:0]            | WUC_PRESCALER[2:0]  | Sets the prescaler value of the WUC to give the 32.768 kHz Divider value (see Table 29).   |
| WUC              | 0x30D <sup>1</sup>                         | WUC_CONFIG_LOW   | 6                | WUC_RCOSC_EN  | Enables the 32.768 kHz RC OSC.   |
| WUC              | 0x30D <sup>1</sup>                         | WUC_CONFIG_LOW   | 5                | WUC_XOSC32K_EN  | Enables the 32.768 kHz external OSC.   |
| WUC              | 0x30D <sup>1</sup>                         | WUC_CONFIG_LOW   | 4                | WUC_CLKSEL  | Sets the WUC clock source.<br>1: RC OSC selected.<br>2: XOSC selected.   |
| WUC              | 0x30D <sup>1</sup>                         | WUC_CONFIG_LOW   | 0                | WUC_ARM   | Enable to ensure that the device wakes from the PHY_SLEEP state on a WUC timeout.  |
| WUC              | 0x30E <sup>2</sup> ,<br>0x30F <sup>2</sup> | WUC_VALUE_HIGH<br>WUC_VALUE_LOW  | [7:0]<br>[7:0]   | WUC_TIMER_VALUE[15:8]<br>WUC_TIMER_VALUE[7:0]   | The WUC timer value.<br>$WUC\ Interval(s) = \frac{WUC\_TIMER\_VALUE \times 32.768\ kHz\ Divider}{32,768}$  |
| WUC              | 0x101                                      | INTERRUPT_MASK_1   | 4                | WUC_TIMEOUT   | Enables the interrupt on a WUC timeout.  |
| Firmware Timer   | 0x100                                      | INTERRUPT_MASK_0   | 7                | INTERRUPT_NUM_WAKEUPS   | Enabling this interrupt enables the firmware timer. Interrupt is set when the NUMBER_OF_WAKEUPS count exceeds the threshold.                       |
| Firmware Timer   | 0x102<br>0x103                             | NUMBER_OF_WAKEUPS_0<br>NUMBER_OF_WAKEUPS_1                             | [7:0]<br>[7:0]   | NUMBER_OF_WAKEUPS[7:0]<br>NUMBER_OF_WAKEUPS[15:8]   | Number of ADF7023-J wake-ups.  |
| Firmware Timer   | 0x104<br>0x105                             | NUMBER_OF_WAKEUPS_IRQ_THRESHOLD_0<br>NUMBER_OF_WAKEUPS_IRQ_THRESHOLD_1 | [7:0]<br>[7:0]   | NUMBER_OF_WAKEUPS_IRQ_THRESHOLD[7:0]<br>NUMBER_OF_WAKEUPS_IRQ_THRESHOLD[15:8]                           | Threshold for the number of ADF7023-J wake-ups. When exceeded, the ADF7023-J exits low power mode.   |
| SWM              | 0x11A                                      | MODE_CONTROL   | 7                | SWM_EN  | Enables smart wake mode.   |
| SWM              | 0x11A                                      | MODE_CONTROL   | 5                | SWM_RSSI_QUAL   | Enables RSSI prequalification in smart wake mode.  |
| SWM              | 0x108                                      | SWM_RSSI_THRESH  | [7:0]            | SWM_RSSI_THRESH[7:0]  | RSSI threshold for RSSI prequalification.<br>$RSSI\ threshold\ (dBm) = SWM\_RSSI\_THRESH - 107.$   |
| SWM              | 0x107                                      | PARMTIME_DIVIDER   | [7:0]            | PARMTIME_DIVIDER[7:0]   | Tick rate for the Rx dwell timer.  |
| SWM              | 0x106                                      | RX_DWELL_TIME  | [7:0]            | RX_DWELL_TIME[7:0]  | Time that the ADF7023-J remains awake during SWM.<br>$Receive\ Dwell\ Time = \frac{RX\_DWELL\_TIME \times 6.5\ MHz}{128 \times PARMTIME\_DIVIDER}$ |
| SWM              | 0x100                                      | INTERRUPT_MASK_0   | 6<br>0<br>1<br>3 | INTERRUPT_SWM_RSSI_DET<br>INTERRUPT_PREAMBLE_DETECT<br>INTERRUPT_SYNC_DETECT<br>INTERRUPT_ADDRESS_MATCH | Various interrupts that can be used in SWM.  |

<sup>1</sup> It is necessary to write to the 0x30C and 0x30D registers in the following order: WUC\_CONFIG\_HIGH (Address 0x30C), directly followed by writing to WUC\_CONFIG\_LOW (Address 0x30D).

<sup>2</sup> It is necessary to write to the 0x30E and 0x30F registers in the following order: WUC\_VALUE\_HIGH (Address 0x30E), directly followed by writing to WUC\_VALUE\_LOW (Address 0x30F).

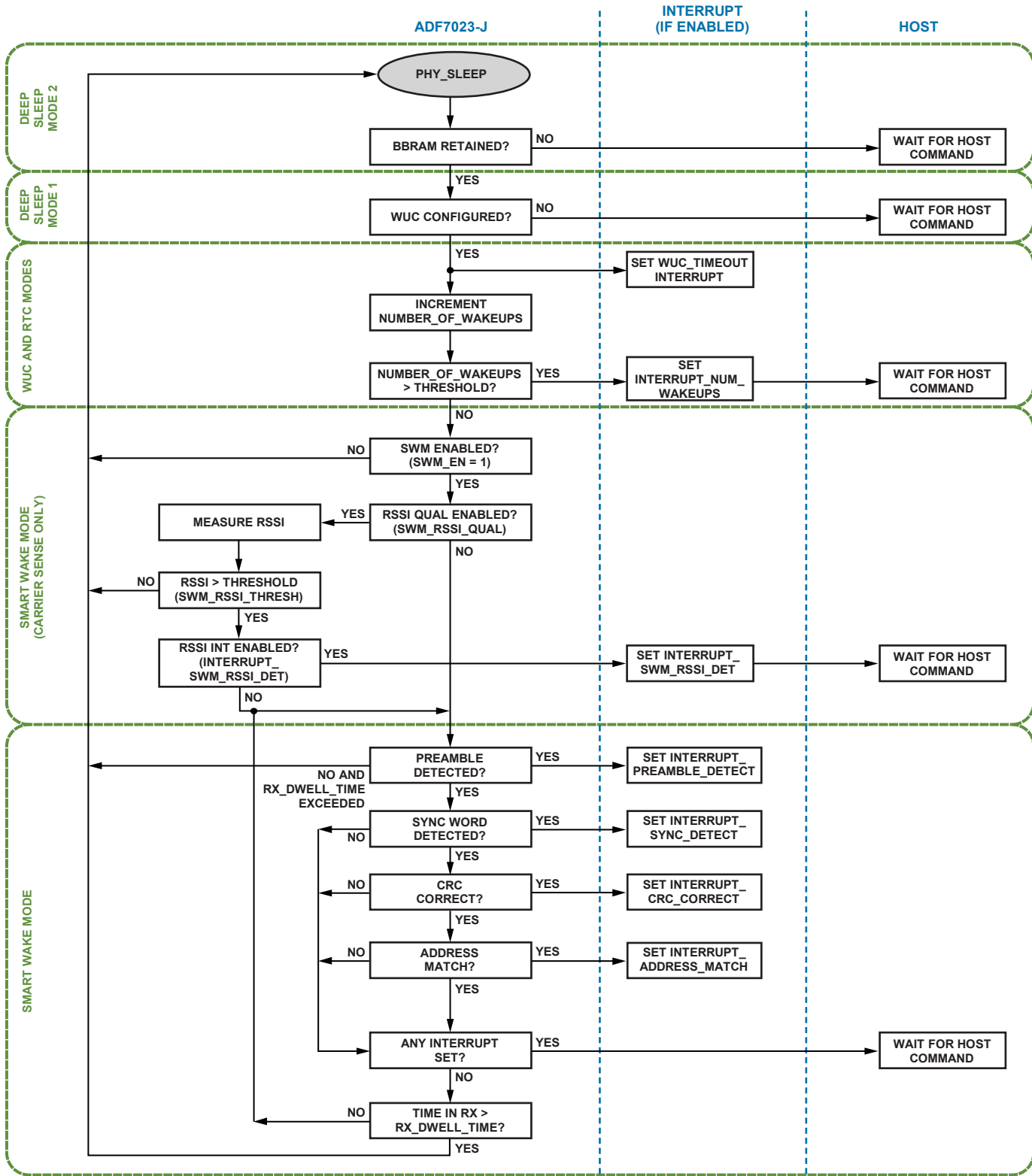


Figure 69. Low Power Mode Operation

09555-145

## EXAMPLE LOW POWER MODES

### Deep Sleep Mode 2

Deep Sleep Mode 2 is suitable for applications where the host processor controls the low power mode timing and the lowest possible ADF7023-J sleep current is required.

In this low power mode, the ADF7023-J is in the PHY\_SLEEP state. The BBRAM contents are not retained. This low power mode is entered by issuing the CMD\_HW\_RESET command from any radio state. To wake the part from the PHY\_SLEEP state, the  $\overline{CS}$  pin should be set low. The initialization routine after a CMD\_HW\_RESET command should be followed, as detailed in the Radio Control section.

### Deep Sleep Mode 1

Deep Sleep Mode 1 is suitable for applications where the host processor controls the low power mode timing and the ADF7023-J configuration is retained during the PHY\_SLEEP state.

In this low power mode, the ADF7023-J is in the PHY\_SLEEP state with the BBRAM contents retained. Before entering the PHY\_SLEEP state, the WUC\_BBRAM\_EN bit (Address 0x30D) should be set to 1 to ensure that the BBRAM is retained. This low power mode is entered by issuing the CMD\_PHY\_SLEEP command from either the PHY\_OFF or PHY\_ON state. To exit the PHY\_SLEEP state, the  $\overline{CS}$  pin can be set low. The  $\overline{CS}$  low initialization routine should then be followed, as detailed in the Radio Control section.

### WUC Mode

In this low power mode, the hardware WUC is used to wake the ADF7023-J from the PHY\_SLEEP state after a user-defined duration. At the end of this duration, the ADF7023-J can provide an interrupt to the host processor. While the ADF7023-J is in the PHY\_SLEEP state, the host processor can optionally be in a deep sleep state to save power.

Before issuing the CMD\_PHY\_SLEEP command, the host processor should configure the WUC and set the firmware timer threshold to zero (NUMBER\_OF\_WAKEUPS\_IRQ\_THRESHOLD\_x = 0, Address 0x104 and Address 0x105). The WUC\_BBRAM\_EN bit (Address 0x30D) should be set to 1 to ensure that the BBRAM is retained. On issuing the CMD\_PHY\_SLEEP command, the device goes to sleep for a period until the hardware timer times out. At this point, the device wakes up, and, if the WUC\_TIMEOUT bit (Address 0x101) or the INTERRUPT\_NUM\_WAKEUPS bit (Address 0x100) interrupts are enabled, the device asserts the IRQ\_GP3 pin.

The operation of this low power mode is illustrated in Figure 70.

### WUC Mode with Firmware Timer

In this low power mode, the WUC is used to periodically wake the ADF7023-J from the PHY\_SLEEP state, and the firmware timer is used to count the number of WUC timeouts. The combination of the WUC and the firmware timer provides a real-time clock (RTC) capability.

The host processor should set up the WUC and the firmware timer before entering the PHY\_SLEEP state. The WUC\_BBRAM\_EN bit (Address 0x30D) should be set to 1 to ensure that the BBRAM is retained. The WUC can be configured to time out at some standard time interval (for example, 1 sec, 60 sec). On issuing the CMD\_PHY\_SLEEP command, the device enters the PHY\_SLEEP state for a period until the hardware timer times out. At this point, the device wakes up, increments the 16-bit firmware timer (NUMBER\_OF\_WAKEUPS\_x, Address 0x102 and Address 0x103) and, if the WUC\_TIMEOUT bit (Address 0x101) is enabled, the device asserts the IRQ\_GP3 pin. If the 16-bit firmware count is less than or equal to the user set threshold (NUMBER\_OF\_WAKEUPS\_IRQ\_THRESHOLD\_x, Address 0x104 and Address 0x105), the device returns to the PHY\_SLEEP state. With this method, the firmware count (NUMBER\_OF\_WAKEUPS\_x) equates to a real-time interval.

When the firmware count exceeds the user-set threshold (NUMBER\_OF\_WAKEUPS\_IRQ\_THRESHOLD\_x), the ADF7023-J asserts the IRQ\_GP3 pin, if the INTERRUPT\_NUM\_WAKEUPS bit (Address 0x100) is set, and enters the PHY\_OFF state. The operation of this low power mode is illustrated in Figure 71.

### Smart Wake Mode (Carrier Sense Only)

In this low power mode, the WUC, firmware timer, and smart wake mode are used to implement periodic RSSI measurements on a particular channel (that is, carrier sense). To enable this mode, the WUC and firmware timer should be configured before entering the PHY\_SLEEP state. The WUC\_BBRAM\_EN bit (Address 0x30D) should be set to 1 to ensure that the BBRAM is retained. The RSSI measurement is enabled by setting the SWM\_RSSI\_QUAL bit = 1 and the SWM\_EN bit = 1 (Address 0x11A). The INTERRUPT\_SWM\_RSSI\_DET bit (Address 0x100) should also be enabled. If the measured RSSI value is below the user-defined threshold set in the SWM\_RSSI\_THRESH register (Address 0x108), the device returns to the PHY\_SLEEP state. If the RSSI measurement is greater than the SWM\_RSSI\_THRESH value, the device sets the INTERRUPT\_SWM\_RSSI\_DET interrupt to alert the host processor and waits in the PHY\_ON state for a host command. The operation of this low power mode is illustrated in Figure 72.

### Smart Wake Mode

In this low power mode, the WUC, firmware timer, and smart wake mode are employed to periodically listen for packets. To enable this mode, the WUC and firmware timer should be configured and smart wake mode (SWM) enabled (the SWM\_EN bit, Address 0x11A) before entering the PHY\_SLEEP state. The WUC\_BBRAM\_EN bit (Address 0x30D) should be set to 1 to ensure that the BBRAM is retained. RSSI prequalification can be optionally enabled (SWM\_RSSI\_QUAL = 1, Address 0x11A). When RSSI prequalification is enabled, the ADF7023-J begins searching for the preamble only if the RSSI measurement is greater than the user-defined threshold.

The ADF7023-J is in the PHY\_RX state for a duration determined by the RX\_DWELL\_TIME setting (Address 0x106). If the ADF7023-J detects the preamble during the receive dwell time, it searches for the sync word. If the sync word routine is detected, the ADF7023-J loads the received data to packet RAM and checks for a CRC and address match, if enabled. If any of the receive packet interrupts has been set, the ADF7023-J returns to the PHY\_ON state and waits for a host command.

If the ADF7023-J receives preamble detection during the receive dwell time but the remainder of the received packet extends beyond the dwell time, the ADF7023-J extends the dwell time until all of the packet is received or the packet is recognized as invalid (for example, there is an incorrect sync word).

This low power mode terminates when a valid packet interrupt is received. Alternatively, this low power mode can be terminated via a firmware timer timeout. This can be useful if certain radio tasks (for example, IR calibration) or processor tasks must be run periodically while in the low power mode.

The operation of this low power mode is illustrated in Figure 73.

### Exiting Low Power Mode

As described in Figure 69, the ADF7023-J waits for a host command on any of the termination conditions of the low power mode. It is also possible to perform an asynchronous exit from low power mode using the following procedure:

1. Bring the  $\overline{\text{CS}}$  pin of the SPI low and wait until the MISO output goes high.
2. Issue a CMD\_HW\_RESET command.

The host processor should then follow the initialization procedure after a CMD\_HW\_RESET command, as described in the Initialization section.

LOW POWER MODE TIMING DIAGRAMS

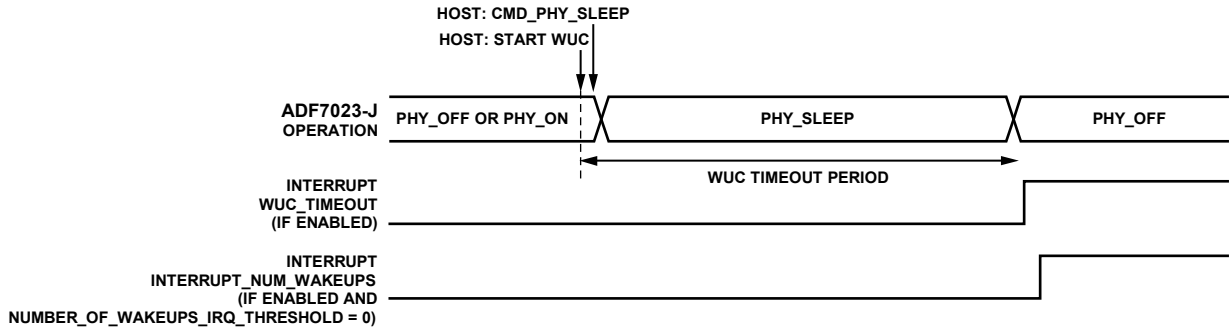


Figure 70. Low Power Mode Timing When Using the WUC

09555-146

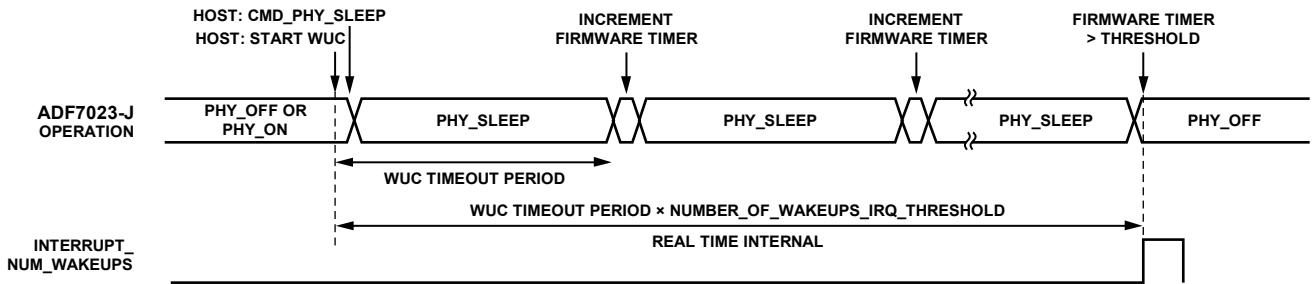


Figure 71. Low Power Mode Timing When Using the WUC and the Firmware Timer

09555-147

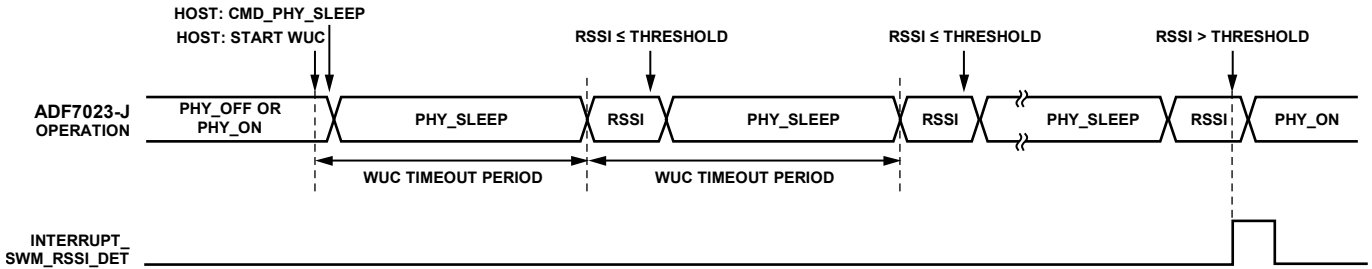


Figure 72. Low Power Mode Timing When Using the WUC, Firmware Timer, and SWM with Carrier Sense

09555-148

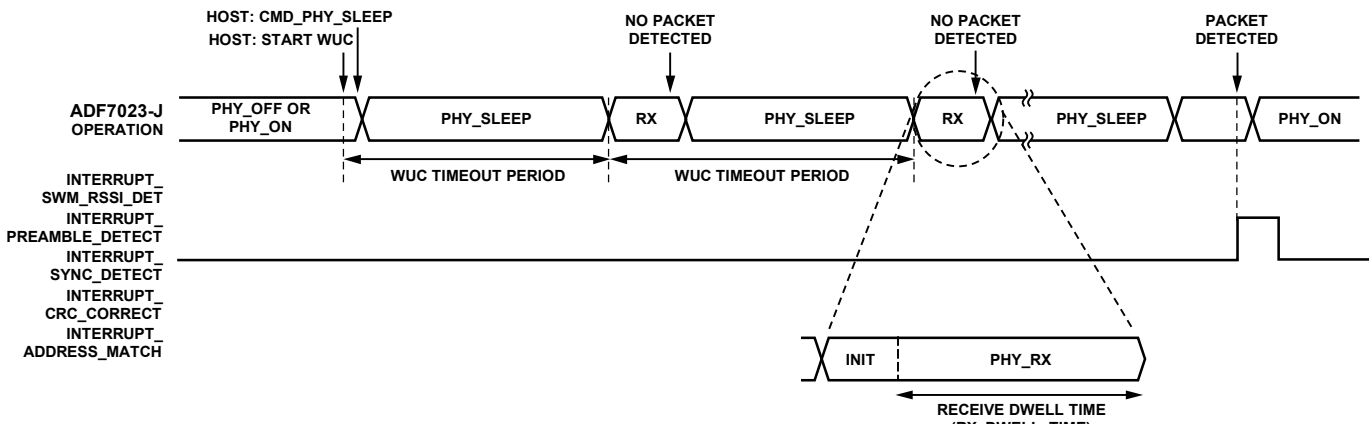


Figure 73. Low Power Mode Timing When Using the WUC, Firmware Timer, and SWM

09555-149

**WUC SETUP**

**Circuit Description**

The ADF7023-J features a low power wake-up controller comprising a 16-bit wake-up timer with a 3-bit programmable prescaler, as illustrated in Figure 74. The prescaler clock source can be configured to use either the 32.76 kHz internal RC oscillator (RCOSC) or the 32.76 kHz external oscillator (XOSC). This combination of programmable prescaler and 16-bit down counter gives a total hardware timer range of 30.52 μs to 36.4 hours.

**Configuration and Operation**

The hardware WUC is configured via the following registers:

- WUC\_CONFIG\_HIGH (Address 0x30C)
- WUC\_CONFIG\_LOW (Address 0x30D)
- WUC\_VALUE\_HIGH (Address 0x30E)
- WUC\_VALUE\_LOW (Address 0x30F)

The relevant fields of each register are detailed in Table 29. All four of these registers are write only.

The WUC should be configured as follows:

1. Clear all interrupts.
2. Set required interrupts.
3. Write to WUC\_CONFIG\_HIGH and WUC\_CONFIG\_LOW. Ensure that the WUC\_ARM bit = 1. Ensure that the WUC\_BBRAM\_EN bit = 1 (retain BBRAM during PHY\_SLEEP). It is necessary to write to both registers together in the following order: WUC\_CONFIG\_HIGH directly followed by writing to WUC\_CONFIG\_LOW.
4. Write to WUC\_VALUE\_HIGH and WUC\_VALUE\_LOW. This configures the WUC\_TIMER\_VALUE[15:0] and, thus, the WUC timeout period. The timer begins counting from the configured value after these registers have been written to. It is necessary to write to both registers together in the following order: WUC\_VALUE\_HIGH directly followed by writing to WUC\_VALUE\_LOW.

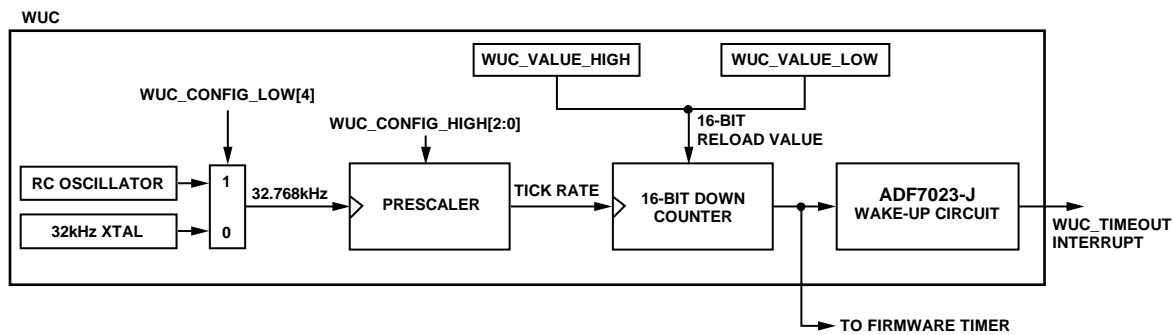


Figure 74. Hardware Wake-Up Controller (WUC)

Table 29. WUC Register Settings

| WUC Setting            | Name                              | Description   |                        |                                   |                   |      |      |          |      |      |         |      |      |         |      |      |         |      |      |         |      |    |         |      |      |         |      |      |         |      |      |         |      |      |         |
|------------------------|-----------------------------------|---|------------------------|-----------------------------------|-------------------|------|------|----------|------|------|---------|------|------|---------|------|------|---------|------|------|---------|------|----|---------|------|------|---------|------|------|---------|------|------|---------|------|------|---------|
| WUC_VALUE_HIGH [7:0]   | WUC_TIMER_VALUE[15:8]             | WUC timer value.<br>$\text{WUC Interval(s)} = \text{WUC\_TIMER\_VALUE} \times \frac{32.768 \text{ kHz Divider}}{32,768}$  |                        |                                   |                   |      |      |          |      |      |         |      |      |         |      |      |         |      |      |         |      |    |         |      |      |         |      |      |         |      |      |         |      |      |         |
| WUC_VALUE_LOW[7:0]     | WUC_TIMER_VALUE[7:0]              | WUC timer value.  |                        |                                   |                   |      |      |          |      |      |         |      |      |         |      |      |         |      |      |         |      |    |         |      |      |         |      |      |         |      |      |         |      |      |         |
| WUC_CONFIG_HIGH[7]     | Reserved                          | Set to 0.   |                        |                                   |                   |      |      |          |      |      |         |      |      |         |      |      |         |      |      |         |      |    |         |      |      |         |      |      |         |      |      |         |      |      |         |
| WUC_CONFIG_HIGH[6:3]   | RCOSC_COARSE_CAL_VALUE            | <table border="1"> <thead> <tr> <th>RCOSC_COARSE_CAL_VALUE</th> <th>Change in RC Oscillator Frequency</th> <th>Coarse Tune State</th> </tr> </thead> <tbody> <tr><td>0000</td><td>+83%</td><td>State 10</td></tr> <tr><td>0001</td><td>+66%</td><td>State 9</td></tr> <tr><td>1000</td><td>+50%</td><td>State 8</td></tr> <tr><td>1001</td><td>+33%</td><td>State 7</td></tr> <tr><td>1100</td><td>+16%</td><td>State 6</td></tr> <tr><td>1101</td><td>0%</td><td>State 5</td></tr> <tr><td>1110</td><td>-16%</td><td>State 4</td></tr> <tr><td>1111</td><td>-33%</td><td>State 3</td></tr> <tr><td>0110</td><td>-50%</td><td>State 2</td></tr> <tr><td>0111</td><td>-66%</td><td>State 1</td></tr> </tbody> </table> | RCOSC_COARSE_CAL_VALUE | Change in RC Oscillator Frequency | Coarse Tune State | 0000 | +83% | State 10 | 0001 | +66% | State 9 | 1000 | +50% | State 8 | 1001 | +33% | State 7 | 1100 | +16% | State 6 | 1101 | 0% | State 5 | 1110 | -16% | State 4 | 1111 | -33% | State 3 | 0110 | -50% | State 2 | 0111 | -66% | State 1 |
| RCOSC_COARSE_CAL_VALUE | Change in RC Oscillator Frequency | Coarse Tune State   |                        |                                   |                   |      |      |          |      |      |         |      |      |         |      |      |         |      |      |         |      |    |         |      |      |         |      |      |         |      |      |         |      |      |         |
| 0000                   | +83%                              | State 10  |                        |                                   |                   |      |      |          |      |      |         |      |      |         |      |      |         |      |      |         |      |    |         |      |      |         |      |      |         |      |      |         |      |      |         |
| 0001                   | +66%                              | State 9   |                        |                                   |                   |      |      |          |      |      |         |      |      |         |      |      |         |      |      |         |      |    |         |      |      |         |      |      |         |      |      |         |      |      |         |
| 1000                   | +50%                              | State 8   |                        |                                   |                   |      |      |          |      |      |         |      |      |         |      |      |         |      |      |         |      |    |         |      |      |         |      |      |         |      |      |         |      |      |         |
| 1001                   | +33%                              | State 7   |                        |                                   |                   |      |      |          |      |      |         |      |      |         |      |      |         |      |      |         |      |    |         |      |      |         |      |      |         |      |      |         |      |      |         |
| 1100                   | +16%                              | State 6   |                        |                                   |                   |      |      |          |      |      |         |      |      |         |      |      |         |      |      |         |      |    |         |      |      |         |      |      |         |      |      |         |      |      |         |
| 1101                   | 0%                                | State 5   |                        |                                   |                   |      |      |          |      |      |         |      |      |         |      |      |         |      |      |         |      |    |         |      |      |         |      |      |         |      |      |         |      |      |         |
| 1110                   | -16%                              | State 4   |                        |                                   |                   |      |      |          |      |      |         |      |      |         |      |      |         |      |      |         |      |    |         |      |      |         |      |      |         |      |      |         |      |      |         |
| 1111                   | -33%                              | State 3   |                        |                                   |                   |      |      |          |      |      |         |      |      |         |      |      |         |      |      |         |      |    |         |      |      |         |      |      |         |      |      |         |      |      |         |
| 0110                   | -50%                              | State 2   |                        |                                   |                   |      |      |          |      |      |         |      |      |         |      |      |         |      |      |         |      |    |         |      |      |         |      |      |         |      |      |         |      |      |         |
| 0111                   | -66%                              | State 1   |                        |                                   |                   |      |      |          |      |      |         |      |      |         |      |      |         |      |      |         |      |    |         |      |      |         |      |      |         |      |      |         |      |      |         |

| WUC Setting          | Name           | Description   |                    |               |
|----------------------|----------------|---|--------------------|---------------|
|                      |                | WUC_PRESCALER   | 32.768 kHz Divider | Tick Period   |
| WUC_CONFIG_HIGH[2:0] | WUC_PRESCALER  | 000   | 1                  | 30.52 $\mu$ s |
|                      |                | 001   | 4                  | 122.1 $\mu$ s |
|                      |                | 010   | 8                  | 244.1 $\mu$ s |
|                      |                | 011   | 16                 | 488.3 $\mu$ s |
|                      |                | 100   | 128                | 3.91 ms       |
|                      |                | 101   | 1024               | 31.25 ms      |
|                      |                | 110   | 8192               | 250 ms        |
|                      |                | 111   | 65,536             | 2000 ms       |
|                      |                | WUC_CONFIG_LOW[7]   | Reserved           | Set to 0.     |
| WUC_CONFIG_LOW[6]    | WUC_RCOSC_EN   | 1: enable.<br>0: disable RCOSC32K.  |                    |               |
| WUC_CONFIG_LOW[5]    | WUC_XOSC32K_EN | 1: enable.<br>0: disable XOSC32K.   |                    |               |
| WUC_CONFIG_LOW[4]    | WUC_CLKSEL     | 1: RC 32.768 kHz oscillator.<br>0: external crystal oscillator.   |                    |               |
| WUC_CONFIG_LOW [3]   | WUC_BBRAM_EN   | 1: enable power to BBRAM during the PHY_SLEEP state.<br>0: disable power to BBRAM during the PHY_SLEEP state. |                    |               |
| WUC_CONFIG_LOW[2:1]  | Reserved       | Set to 0.   |                    |               |
| WUC_CONFIG_LOW[0]    | WUC_ARM        | 1: enable wake-up on WUC timeout event.<br>0: disable wake-up on WUC timeout event.                           |                    |               |

## FIRMWARE TIMER SETUP

The [ADF7023-J](#) wakes up from the PHY\_SLEEP state at the rate set by the WUC. A firmware timer, implemented by the on-chip processor, can be used to count the number of hardware wake-ups and generate an interrupt to the host processor. Thus, the [ADF7023-J](#) can be used to handle the wake-up timing of the host processor, reducing overall system power consumption.

To set up the firmware timer, the host processor must set a value in the NUMBER\_OF\_WAKEUPS\_IRQ\_THRESHOLD[15:0] registers (Address 0x104 and Address 0x105). This 16-bit value represents the number of times the device wakes up before it interrupts the host processor. At each wake-up, the [ADF7023-J](#) increments the NUMBER\_OF\_WAKEUPS[15:0] registers (Address 0x102 and Address 103). If this value exceeds the value set by the NUMBER\_OF\_WAKEUPS\_IRQ\_THRESHOLD[15:0] registers, the NUMBER\_OF\_WAKEUPS[15:0] value is cleared to 0. At this time, if the INTERRUPT\_NUM\_WAKEUPS bit in the INTERRUPT\_MASK\_0 register (Address 0x100) is set, the device asserts the IRQ\_GP3 pin and enters the PHY\_OFF state.

## CALIBRATING THE RC OSCILLATOR

There are two types of RC oscillator calibration, namely fine and coarse calibrations. A fine calibration of the RC oscillator is automatically performed upon wake-up from PHY\_SLEEP and upon cold start. The user can also manually initiate a fine calibration.

In order to meet the quoted RC oscillator frequency accuracy given in the Specifications section, it is necessary to perform a coarse calibration of the RC oscillator.

### Performing a Fine Calibration of the RC Oscillator

This is performed as follows:

1. Write to the WUC\_CONFIG\_HIGH and WUC\_CONFIG\_LOW registers, setting the WUC\_RCOSC\_EN bit high.
2. Write a 0 to WUC\_RCOSC\_CAL\_EN in the WUC\_FLAG\_RESET register.
3. Write a 1 to WUC\_RCOSC\_CAL\_EN in the WUC\_FLAG\_RESET register.

During calibration, the host microprocessor can write to and read from memory locations and issue commands to the [ADF7023-J](#). The RC oscillator calibration status can be viewed in the WUC\_STATUS register (Location 0x311).

A fine calibration typically takes 1.5 ms. The result of a fine calibration can be read back from the following two registers: RCOSC\_CAL\_READBACK\_HIGH (Location 0x34F) and RCOSC\_CAL\_READBACK\_LOW (Location 0x350).

### Performing a Coarse Calibration of the RC Oscillator

This calibration involves performing fine calibrations of the RC oscillator for different values of RCOSC\_COARSE\_CAL\_VALUE to determine the optimum value to be written to WUC\_CONFIG\_HIGH (Location 0x30C[6:3]).

The coarse calibration procedure is outlined in Figure 75. Typically, the optimum coarse tune state is State 5, so the algorithm starts in this state to minimize the number of iterations.

Usually the optimum RCOSC\_COARSE\_CAL\_VALUE is determined at 25°C once, and the result stored in the host microprocessor. This result can be incorporated in the value written to WUC\_CONFIG\_HIGH prior to fine calibrations of the RC oscillator.

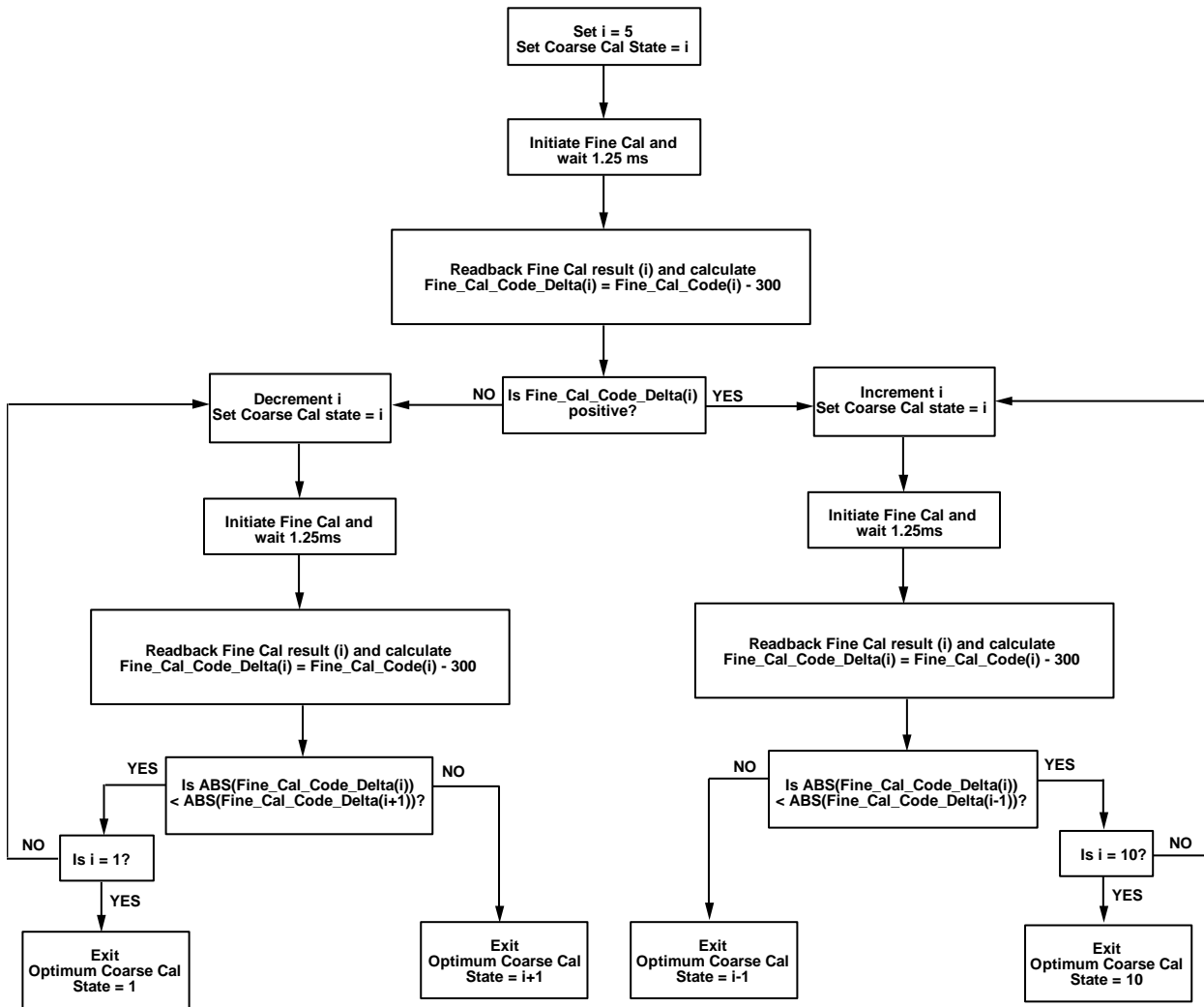


Figure 75. RC Oscillator Coarse Calibration Algorithm

09555-400



## DOWNLOADABLE FIRMWARE MODULES

The program RAM memory of the [ADF7023-J](#) can be used to store firmware modules for the communications processor that provide the [ADF7023-J](#) with extra functionality. The binary code for these firmware modules and details on their functionality are available from Analog Devices. These firmware modules are available online at <ftp://ftp.analog.com/pub/RFL/FirmwareModules/ADF7023/>. Three modules are briefly described in this section: image rejection calibration, AES encryption and decryption, and Reed-Solomon coding.

### WRITING A MODULE TO PROGRAM RAM

The sequence to write a firmware module to program RAM is as follows:

1. Ensure that the [ADF7023-J](#) is in PHY\_OFF.
2. Issue the CMD\_RAM\_LOAD\_INIT command.
3. Write the module to program RAM using an SPI memory block write (see the SPI Interface section).
4. Issue the CMD\_RAM\_LOAD\_DONE command.
5. Issue the CMD\_SYNC command.

The firmware module is now stored on program RAM.

### IMAGE REJECTION CALIBRATION MODULE

The calibration system initially disables the [ADF7023-J](#) receiver, and an internal RF source is applied to the RF input at the image frequency. The algorithm then maximizes the receiver image rejection performance by iteratively minimizing the quadrature gain and phase errors in the polyphase filter.

The calibration algorithm takes its initial estimates for quadrature phase correction (Address 0x118) and quadrature gain correction (Address 0x119) from BBRAM. After calibration, new optimum values of phase and gain are loaded back into these locations. These calibration values are maintained in BBRAM during sleep mode and are automatically reapplied from a wake-up event, which keeps the number of calibrations required to a minimum.

Depending on the initial values of quadrature gain and phase correction, the calibration algorithm can take approximately 20 ms to find the optimum image rejection performance. However, the calibration time can be significantly less than this when the seed values used for gain and phase correction are close to optimum.

The image rejection performance is also dependent on temperature. To maintain optimum image rejection performance, a calibration should be activated whenever a temperature change of more than 10°C occurs. The [ADF7023-J](#) on-chip temperature sensor can be used to determine when the temperature exceeds this limit.

To run the IR calibration, issue a CMD\_IR\_CAL (Register 0xBD). In order for this to work successfully, ensure that the BB filter calibration is enabled in the MODE\_CONTROL register (Address 0x11A).

### AES ENCRYPTION AND DECRYPTION MODULE

The downloadable AES firmware module supports 128-bit block encryption and decryption with key sizes of 128 bits, 192 bits, and 256 bits. Two modes are supported: ECB mode and CBC Mode 1. ECB mode simply encrypts/decrypts on a 128-bit block by block with a single secret key as illustrated in Figure 77. CBC Mode 1 encrypts after first adding (Modulo 2), a 128-bit user-supplied initialization vector. The resulting cipher text is then used as the initialization vector for the next block and so forth, as illustrated in Figure 78. Decryption provides the inverse functionality. The firmware also takes advantage of an on-chip hardware accelerator module to enhance throughput and minimize the latency of the AES processing.

### REED-SOLOMON CODING MODULE

This coding module uses Reed-Solomon block coding to detect and correct errors in the received packet. A transmit message of  $k$  bytes in length is appended with an error checking code (ECC) of length  $n - k$  bytes to give a total message length of  $n$  bytes, as shown in Figure 76.

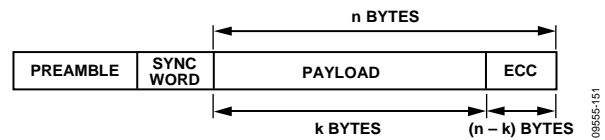


Figure 76. Packet Structure with Appended Reed-Solomon ECC

The receiver decodes the ECC to detect and correct up to  $t$  bytes in error, where  $t = (n - k)/2$ . The firmware supports correction of up to five bytes in the  $n$  byte field. To correct  $t$  bytes in error, an ECC length of  $2t$  bytes is required, and the byte errors can be randomly distributed throughout the payload and ECC fields.

Reed-Solomon coding exhibits excellent burst error correction capability and is commonly used to improve the robustness of a radio link in the presence of transient interference or due to rapid signal fading conditions that can corrupt sections of the message payload.

Reed-Solomon coding is also capable of improving the receiver's sensitivity performance by several dB, where random errors tend to dominate under low SNR conditions and the receiver's packet error rate performance is limited by thermal noise.

The number of consecutive bit errors that can be 100% corrected is  $\{(t - 1) \times 8 + 1\}$ . Longer, random bit-error patterns, up to  $t$  bytes, can also be corrected if the error patterns start and end at byte boundaries.

The firmware also takes advantage of an on-chip hardware accelerator module to enhance throughput and minimize the latency of the Reed-Solomon processing.

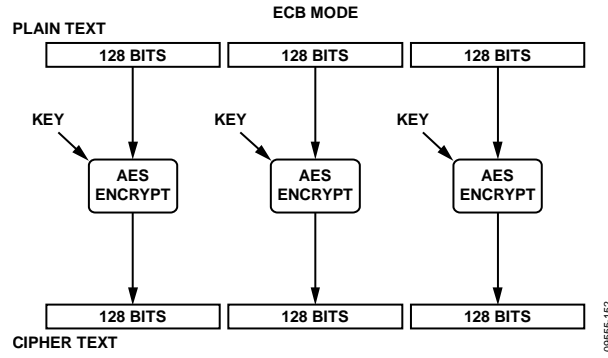


Figure 77. ECB Mode

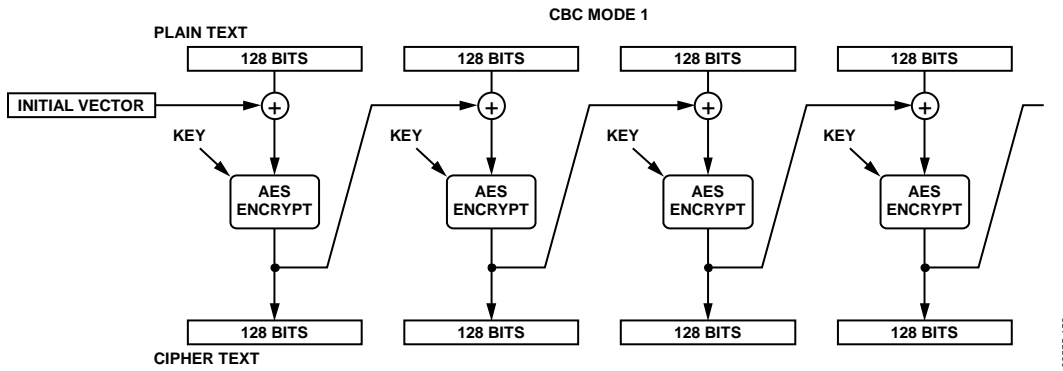


Figure 78. CBC Mode 1

## RADIO BLOCKS

### FREQUENCY SYNTHESIZER

A fully integrated RF frequency synthesizer is used to generate both the transmit signal and the receiver's local oscillator (LO) signal. The architecture of the frequency synthesizer is shown in Figure 79.

The receiver uses a fractional-N frequency synthesizer to generate the mixer's LO for down conversion to the intermediate frequency (IF) of 200 kHz or 300 kHz. In transmit mode, a high resolution sigma-delta ( $\Sigma$ - $\Delta$ ) modulator is used to generate the required frequency deviations at the RF output when FSK data is transmitted. To reduce the occupied FSK bandwidth, the transmitted bit stream can be filtered using a digital Gaussian filter, which is enabled via the RADIO\_CFG\_9 register (Address 0x115). The Gaussian filter uses a bandwidth time (BT) of 0.5.

The VCO and the PLL loop filter of the ADF7023-J are fully integrated. To reduce the effect of pulling of the VCO by the power-up of the PA and to minimize spurious emissions, the VCO operates at twice the RF frequency. The VCO signal is then divided by 2, giving the required frequency for the transmitter and the required LO frequency for the receiver.

A high speed, fully automatic calibration scheme is used to ensure that the frequency and amplitude characteristics of the VCO are maintained over temperature, supply voltage, and process variations.

The calibration is automatically performed when the CMD\_PHY\_RX or the CMD\_PHY\_TX command is issued. The calibration duration is 142  $\mu$ s, and if required, the CALIBRATION\_STATUS register (Address 0x339) can be polled to indicate the completion of the VCO self calibration. After the VCO is calibrated, the frequency synthesizer settles to within  $\pm 5$  ppm of the target frequency in 56  $\mu$ s.

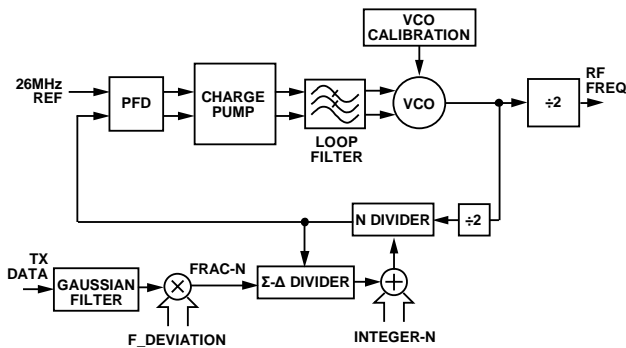


Figure 79. RF Frequency Synthesizer Architecture

### Synthesizer Bandwidth

The synthesizer loop filter is fully integrated on chip and has a programmable bandwidth. The communications processor automatically sets the bandwidth of the synthesizer when the device enters the PHY\_TX or the PHY\_RX state. Upon entering the PHY\_TX state, the communications processor chooses the bandwidth based on the programmed modulation scheme (2FSK or GFSK) and the data rate. This ensures optimum modulation quality for each data rate. Upon entering the PHY\_RX state, the communications processor sets a narrow bandwidth to ensure best receiver rejection. In all, there are eight bandwidth configurations. Each synthesizer bandwidth setting is described in Table 30.

Table 30. Automatic Synthesizer Bandwidth Selections

| Description           | Data Rate (kbps) | Closed-Loop Synthesizer Bandwidth (kHz) |
|-----------------------|------------------|---|
| Rx 2FSK/GFSK/MSK/GMSK | All              | 92                                      |
| Tx 2FSK/GFSK/MSK/GMSK | 1 to 49.5        | 130                                     |
| Tx 2FSK/GFSK/MSK/GMSK | 49.6 to 99.1     | 174                                     |
| Tx 2FSK/GFSK/MSK/GMSK | 99.2 to 129.5    | 174                                     |
| Tx 2FSK/GFSK/MSK/GMSK | 129.6 to 179.1   | 226                                     |
| Tx 2FSK/GFSK/MSK/GMSK | 179.2 to 239.9   | 305                                     |
| Tx 2FSK/GFSK/MSK/GMSK | 240 to 300       | 382                                     |

For performance margin to the T96 specification limits, the PLL closed-loop bandwidth is optimized depending on the data rate.

The following procedure must be used to program the device for optimized PLL bandwidth settings during transmit operation.

As part of the initial BBRAM configuration, do the following:

- Issue the SPI\_MEM\_WR command, writing 0x2 to Bits[5:4] of Register 0x113 (RADIO\_CFG\_7).
- Issue the CMD\_CONFIG\_DEV command.

The custom transmit LUT must be written to the 0x010 to 0x018 packet RAM locations. This is achieved using a SPI\_MEM\_WR command and a block write as described in the Memory Access section. The LUT values are described in Table 31.

These values are retained in memory while VDDBAT remains valid, unless PHY\_SLEEP is entered; in which case, the values must be reprogrammed.

Table 31. T96 Custom Transmit Look-Up Table (LUT)

| Register | Data Rate = 50 kbps or 100 kbps (CLBW = 130 kHz) | Data Rate = 200 kbps (CLBW = 223 kHz) |
|----------|--|---------------------------------------|
| 0x010    | 0x10   | 0x20                                  |
| 0x011    | 0x10   | 0x20                                  |
| 0x012    | 0x0F   | 0x0F                                  |
| 0x013    | 0x0F   | 0x0F                                  |
| 0x014    | 0x1F   | 0x1F                                  |
| 0x015    | 0x0F   | 0x05                                  |
| 0x016    | 0x1F   | 0x1F                                  |
| 0x017    | 0x33   | 0x33                                  |
| 0x018    | 0x22   | 0x18                                  |

### Synthesizer Settling

After the VCO calibration, a 56  $\mu$ s delay is allowed for synthesizer settling. This delay is fixed at 56  $\mu$ s by default and ensures that the synthesizer has fully settled when using any of the default synthesizer bandwidths.

However, in some cases, it may be necessary to use a custom synthesizer settling delay. To use a custom delay, set the CUSTOM\_TRX\_SYNTH\_LOCK\_TIME\_EN bit to 1 in the MODE\_CONTROL register (Address 0x11A). The synthesizer settling delays for the PHY\_RX and the PHY\_TX state transitions can be set independently in the RX\_SYNTH\_LOCK\_TIME register (Address 0x13E) and the TX\_SYNTH\_LOCK\_TIME register (Address 0x13F). The settling time can be set in the 2  $\mu$ s to 512  $\mu$ s range in steps of 2  $\mu$ s.

### Bypassing VCO Calibration

It is possible to bypass the VCO calibration for ultrafast frequency hopping in transmit or receive. The calibration data for each RF channel should be stored in the host processor memory. The calibration data comprises two values: the VCO band select value and the VCO amplitude level.

#### Read and Store Calibration Data

- Go to the PHY\_TX or the PHY\_RX state without bypassing the VCO calibration.
- Read the following MCR registers and store the calibrated data in memory on the host processor:
  - VCO\_BAND\_READBACK (Address 0x3DA)
  - VCO\_AMPL\_READBACK (Address 0x3DB)

#### Bypassing VCO Calibration on CMD\_PHY\_TX or CMD\_PHY\_RX

- Ensure that the BBRAM is configured.
- Set VCO\_OVRW\_EN (Address 0x3CD) = 0x3.
- Set VCO\_CAL\_CFG (Address 0x3D0) = 0x0F.
- Set VCO\_BAND\_OVRW\_VAL (Address 0x3CB) = stored VCO\_BAND\_READBACK (Address 0x3DA) for that channel.
- Set VCO\_AMPL\_OVRW\_VAL (Address 0x3CC) = stored VCO\_AMPL\_READBACK (Address 0x3DB) for that channel.
- Set SYNTH\_CAL\_EN = 0 (in the CALIBRATION\_CONTROL register, Address 0x338).
- Set SYNTH\_CAL\_EN = 1 (in the CALIBRATION\_CONTROL register, Address 0x338).
- Issue CMD\_PHY\_TX or CMD\_PHY\_RX to go to the PHY\_TX or PHY\_RX state without the VCO calibration.

### CRYSTAL OSCILLATOR

A 26 MHz crystal oscillator operating in parallel mode must be connected between the XOSC26P and XOSC26N pins. Two parallel loading capacitors are required for oscillation at the correct frequency. Their values are dependent upon the crystal specification. They should be chosen to ensure that the shunt value of capacitance added to the PCB track capacitance and the input pin capacitance of the ADF7023-J equals the specified

load capacitance of the crystal, usually 10 pF to 20 pF. Track capacitance values vary from 2 pF to 5 pF, depending on board layout. The total load capacitance is described by

$$C_{LOAD} = \frac{1}{\frac{1}{C1} + \frac{1}{C2}} + \frac{C_{PIN}}{2} + C_{PCB}$$

where:

$C_{LOAD}$  is the total load capacitance.

$C1$  and  $C2$  are the external crystal load capacitors.

$C_{PIN}$  is the ADF7023-J input capacitance of the XOSC26P and XOSC26N pins and is equal to 2.1 pF.

$C_{PCB}$  is the PCB track capacitance.

When possible, choose capacitors that have a very low temperature coefficient to ensure stable frequency operation over all conditions.

The crystal frequency error can be corrected by means of an integrated digital tuning varactor. For a typical crystal load capacitance of 10 pF, a tuning range of 0 to +15 ppm is available via programming of a 3-bit DAC, according to Table 32. The 3-bit value should be written to the XOSC\_CAP\_DAC bits in the OSC\_CONFIG register (Address 0x3D2).

Alternatively, any error in the RF frequency due to crystal error can be adjusted for by offsetting the RF channel frequency using the RF channel frequency setting in BBRAM memory.

**Table 32. Crystal Frequency Pulling Programming**

| XOSC_CAP_DAC | Pulling (ppm) |
|--------------|---------------|
| 000          | +15           |
| 001          | +11.25        |
| 010          | +7.5          |
| 011          | +3.75         |
| 100          | 0             |

### MODULATION

The ADF7023-J supports binary frequency shift keying (2FSK), minimum shift keying (MSK), binary level Gaussian filtered 2FSK (GFSK), and Gaussian filtered MSK (GMSK). The desired transmit and receive modulation formats are set in the RADIO\_CFG\_9 register (Address 0x115).

When using 2FSK/GFSK/MSK/GMSK modulation, the frequency deviation can be set using the FREQ\_DEVIATION[11:0] bits in the RADIO\_CFG\_1 register (Address 0x10D) and the RADIO\_CFG\_2 register (Address 0x10E). The data rate can be set in the 1 kbps to 300 kbps range using the DATA\_RATE[11:0] parameter in the RADIO\_CFG\_0 register (Address 0x10C) and RADIO\_CFG\_1 register (Address 0x10D). For GFSK/GMSK modulation, the Gaussian filter uses a fixed BT of 0.5.

## RF OUTPUT STAGE

### Power Amplifier (PA)

The ADF7023-J PA can be configured for single-ended or differential output operation using the PA\_SINGLE\_DIFF\_SEL bit in the RADIO\_CFG\_8 register (Address 0x114). The PA level is set by the PA\_LEVEL bit in the RADIO\_CFG\_8 register and has a range of 0 to 15. For finer control of the output power level, the PA\_LEVEL\_MCR register (Address 0x307) can be used. It offers more resolution with a setting range of 1 to 63. The relationship between the PA\_LEVEL and PA\_LEVEL\_MCR settings is given by

$$PA\_LEVEL\_MCR = 4 \times PA\_LEVEL + 3$$

The single-ended configuration can deliver 13.5 dBm output power. The differential PA can deliver 10 dBm output power and allows a straightforward interface to dipole antennae. The two PA configurations offer a Tx antenna diversity capability. Note that the two PAs cannot be enabled at the same time.

### Automatic PA Ramp

The ADF7023-J has built-in up and down PA ramping for both single-ended and differential PAs. There are eight ramp rate settings, with the ramp rate defined as a certain number of PA power level settings per data bit period. The PA\_RAMP variable in the RADIO\_CFG\_8 register (Address 0x114) sets this PA ramp rate, as illustrated in Figure 80.

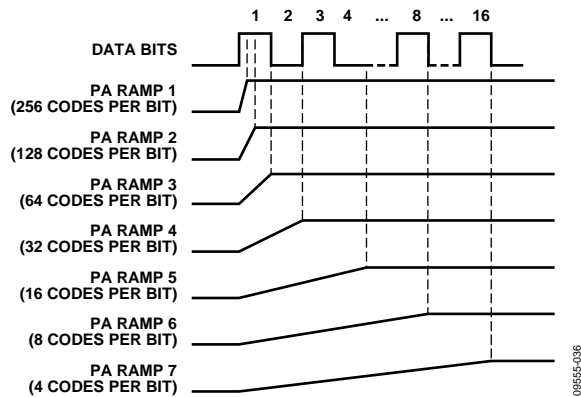


Figure 80. PA Ramp for Different PA\_RAMP Settings

The PA ramps to the level set by the PA\_LEVEL or PA\_LEVEL\_MCR settings. Enabling the PA ramp reduces spectral splatter and helps meet radio regulations, which limit PA transient spurious emissions. To ensure optimum performance, an adequately long PA ramp rate is required based on the data rate and the PA output power setting. The PA\_RAMP setting should, therefore, be set such that

$$\text{Ramp Rate (Codes/Bit)} < 10000 \times \frac{PA\_LEVEL\_MCR[5:0]}{DATA\_RATE[11:0]}$$

where PA\_LEVEL\_MCR is related to the PA\_LEVEL setting by PA\_LEVEL\_MCR = 4 × PA\_LEVEL + 3.

## PA/LNA INTERFACE

The ADF7023-J supports both single-ended and differential PA outputs. Only one PA can be active at a time. The differential PA and LNA share the same pins, RFIO\_1P and RFIO\_1N, which facilitate a simpler antenna interface. The single-ended PA output is available on the RFO2 pin. A number of PA/LNA antenna matching options are possible and are described in the PA/LNA Matching section.

## RECEIVE CHANNEL FILTER

The channel filter of the receiver is a fourth-order, active polyphase Butterworth filter with programmable bandwidths of 100 kHz, 150 kHz, 200 kHz, and 300 kHz. The fourth-order filter gives very good interference suppression of adjacent and neighboring channels and also suppresses the image channel by approximately 36 dB at a 100 kHz IF bandwidth and an RF frequency of 915 MHz.

For channel bandwidths of 100 kHz to 200 kHz, an IF frequency of 200 kHz is used, which results in an image frequency located 400 kHz below the wanted RF frequency. When the 300 kHz bandwidth is selected, an IF frequency of 300 kHz is used, and the image frequency is located at 600 kHz below the wanted frequency.

The bandwidth and center frequency of the IF filter are calibrated automatically after entering the PHY\_ON state if the BB\_CAL bit is set in the MODE\_CONTROL register (Address 0x11A). The filter calibration time takes 100 μs.

The IF bandwidth is programmed by setting the IFBW field in the RADIO\_CFG\_9 register (Address 0x115). The filter's pass band is centered at an IF frequency of 200 kHz when bandwidths of 100 kHz to 200 kHz are used and centered at 300 kHz when an IF bandwidth of 300 kHz is used.

## IMAGE CHANNEL REJECTION

The ADF7023-J is capable of providing improved receiver image rejection performance by the use of a fully integrated image rejection calibration system under the control of the on-chip communications processor. To operate the calibration system, a firmware module is downloaded to the on-chip program RAM. The firmware download is supplied by Analog Devices and described in the Downloadable Firmware Modules section.

To achieve the typical uncalibrated image attenuation values given in the Specifications section, it is required to use recommended default values for IMAGE\_REJECT\_CAL\_PHASE (Address 0x118) and IMAGE\_REJECT\_CAL\_AMPLITUDE (Address 0x119).

These recommended defaults, at 915 MHz, are IMAGE\_REJECT\_CAL\_AMPLITUDE = 0x07 and IMAGE\_REJECT\_CAL\_PHASE = 0x16.

## AUTOMATIC GAIN CONTROL (AGC)

AGC is enabled by default and keeps the receiver gain at the correct level by selecting the LNA, mixer, and filter gain settings based on the measured RSSI level. The LNA has three gain levels,

the mixer has two gain levels, and the filter has three gain levels. In all, there are six AGC stages, which are defined in Table 33.

**Table 33. AGC Gain Modes**

| Gain Mode | LNA Gain | Mixer Gain | Filter Gain |
|-----------|----------|------------|-------------|
| 1         | High     | High       | High        |
| 2         | High     | Low        | High        |
| 3         | Medium   | Low        | High        |
| 4         | Low      | Low        | High        |
| 5         | Low      | Low        | Medium      |
| 6         | Low      | Low        | Low         |

The AGC remains at each gain stage for a time defined by the AGC\_CLK\_DIVIDE register (Address 0x32F). The default value of AGC\_CLK\_DIVIDE = 0x28 gives an AGC delay of 25 μs. When the RSSI is above AGC\_HIGH\_THRESHOLD (Address 0x35F), the gain is reduced. When the RSSI is below AGC\_LOW\_THRESHOLD (Address 0x35E), the gain is increased.

The AGC can be configured to remain active while in the PHY\_RX state or can be locked on preamble detection. The AGC can also be set to manual mode, in which case, the host processor must set the LNA, filter, and mixer gains by writing to the AGC\_MODE register (Address 0x35D). The AGC operation is set by the AGC\_LOCK\_MODE setting in the RADIO\_CFG\_7 register (Address 0x113) and is described in Table 34.

The LNA, filter, and mixer gains can be read back through the AGC\_GAIN\_STATUS register (Address 0x360).

**Table 34. AGC Operation**

| AGC_LOCK_MODE Bits in RADIO_CFG_7 Register | Description                                  |
|--|--|
| 0  | AGC is free running.                         |
| 1  | AGC is disabled. Gains must be set manually. |
| 2  | AGC is held at the current gain level.       |
| 3  | AGC is locked on preamble detection.         |

**RSSI**

The RSSI is based on a successive compression, log amplifier architecture following the analog channel filter. The analog RSSI level is digitized by an 8-bit SAR ADC for user readback and for use by the digital AGC controller.

The ADF7023-J has three RSSI measurement functions that support a wide range of applications. These functions can be used to implement carrier sense (CS) or clear channel assessment (CCA). In packet mode, the RSSI is automatically recorded in MCR memory and is available for user readback after receipt of a packet.

Table 36 details the three RSSI measurement methods.

**RSSI Method 1**

When a valid packet is received in packet mode, the RSSI level during postamble is automatically loaded to the RSSI\_READBACK register (Address 0x312) by the communications processor. The RSSI\_READBACK register contains a twos complement value and can be converted to input power in dBm using the following formula:

$$RSSI(dBm) = RSSI\_READBACK - 107$$

To extend the linear range of RSSI measurement down to an input power of -110 dBm (see Figure 42), a cosine adjustment can be applied using the following formula:

$$RSSI(dBm) = \cos\left(\frac{8}{RSSI\_READBACK}\right) \times RSSI\_READBACK - 106$$

where  $COS(X)$  is the cosine of angle X (radians).

**RSSI Method 2**

The CMD\_GET\_RSSI command can be used from the PHY\_ON state to read the RSSI. This RSSI measurement method uses additional low-pass filtering, resulting in a more accurate RSSI reading. The RSSI result is loaded to the RSSI\_READBACK register (Address 0x312) by the communications processor. The RSSI\_READBACK register contains a twos complement value and can be converted to input power in dBm using the following formula:

$$RSSI(dBm) = RSSI\_READBACK - 107$$

The CMD\_GET\_RSSI execution time is specified in Table 11.

**RSSI Method 3**

This method supports the measurement of RSSI by the host processor at any time while in the PHY\_RX state. The receiver input power can be calculated using the following procedure:

1. Set AGC to hold by setting the AGC\_MODE register (Address 0x35D) = 0x40 (only necessary if AGC has not been locked on the preamble or sync word).
2. Read back the AGC gain settings (AGC\_GAIN\_STATUS register, Address 0x360).
3. Read the ADC\_READBACK[7:0] bit values (Address 0x327 and Address 0x328; see the Analog-to-Digital Converter section).
4. Re-enable the AGC by setting the AGC\_MODE register (Address 0x35D) = 0x00 (only necessary if AGC has not already been locked on the preamble or sync word).
5. Calculate the RSSI in dBm as follows:

$$RSSI(dBm) = \left( ADC\_READBACK[7:0] \times \frac{1}{7} + Gain\_Correction \right) - 109$$

where *Gain\_Correction* is determined by the value of the AGC\_GAIN\_STATUS register (Address 0x360) as shown in Table 35.

Table 35. Gain Mode Correction for 2FSK/GFSK/MSK/GMSK RSSI

| AGC_GAIN_STATUS<br>(Address 0x360) | GAIN_CORRECTION |
|------------------------------------|-----------------|
| 0x00                               | 44              |
| 0x01                               | 35              |
| 0x02                               | 26              |
| 0x0A                               | 17              |
| 0x12                               | 10              |
| 0x16                               | 0               |

To simplify the RSSI calculation, the following approximation can be used by the host processor:

$$\frac{1}{7} \approx \frac{1}{8} \left( 1 + \frac{1}{8} + \frac{1}{64} \right)$$

Table 36. Summary of RSSI Measurement Methods

| RSSI Method | RSSI Type                          | Modulation         | Available in Packet Mode | Available in Sport Mode | Description  |
|-------------|------------------------------------|--------------------|--------------------------|-------------------------|--|
| 1           | Automatic end of packet RSSI       | 2FSK/GFSK/MSK/GMSK | Yes                      | No                      | Automatic RSSI measurement during reception of the postamble in packet mode. The RSSI result is available in the RSSI_READBACK register (Address 0x312). |
| 2           | CMD_GET_RSSI command from PHY_ON   | 2FSK/GFSK/MSK/GMSK | Yes                      | Yes                     | Automatic RSSI measurement from PHY_ON using CMD_GET_RSSI. The RSSI result is available in the RSSI_READBACK register (Address 0x312).                   |
| 3           | RSSI via ADC and AGC readback, FSK | 2FSK/GFSK/MSK/GMSK | Yes                      | Yes                     | RSSI measurement based on the ADC and AGC gain read backs. The host processor calculates RSSI in dBm.  |

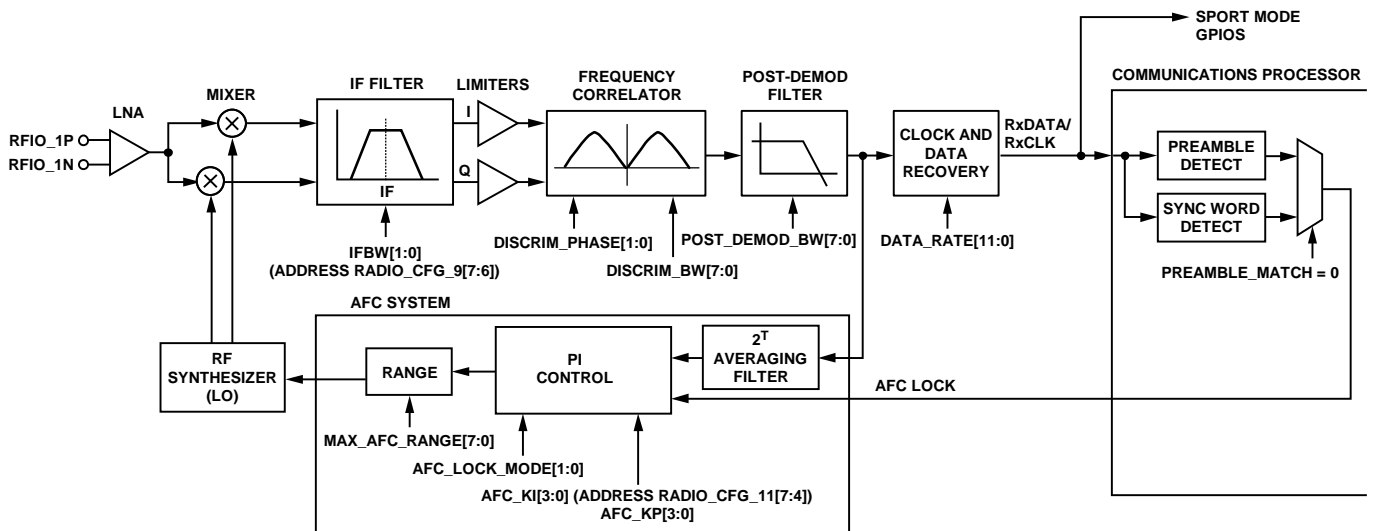


Figure 81. 2FSK/GFSK/MSK/GMSK Demodulation and AFC Architecture

0956-156

**2FSK/GFSK/MSK/GMSK DEMODULATION**

A correlator demodulator is used for 2FSK, GFSK, MSK, and GMSK demodulation. The quadrature outputs of the IF filter are first limited and then fed to a digital frequency correlator that performs filtering and frequency discrimination of the 2FSK/GFSK/MSK/GMSK spectrum. Data is recovered by comparing the output levels from two correlators. The performance of this frequency discriminator approximates that of a matched filter detector, which is known to provide optimum detection in the presence of additive white Gaussian noise (AWGN). This method of 2FSK/GFSK/MSK/GMSK demodulation provides approximately 3 dB to 4 dB better sensitivity than a linear frequency discriminator. The 2FSK/GFSK/MSK/GMSK demodulator architecture is shown in Figure 81. The ADF7023-J is configured for 2FSK/GFSK/MSK/GMSK demodulation by setting DEMOD\_SCHEME = 0 in the RADIO\_CFG\_9 register (Address 0x115).

To optimize receiver sensitivity, the correlator bandwidth and phase must be optimized for the specific deviation frequency, data rate, and maximum expected frequency error between the transmitter and receiver. The bandwidth and phase of the discriminator must be set using the DISCRIM\_BW bits in the RADIO\_CFG\_3 register (Address 0x10F) and the DISCRIM\_PHASE[1:0] bits in the RADIO\_CFG\_6 register (Address 0x112). The discriminator setup is performed in three steps.

**Step 1: Calculate the Discriminator Bandwidth Coefficient K**

The Discriminator Bandwidth Coefficient K depends on the modulation index (MI), which is determined by

$$MI = \frac{2 \times FSK\_Dev}{Data\ Rate}$$

where

FSK\_Dev is the 2FSK/GFSK/MSK/GMSK frequency deviation in hertz (Hz), measured from the carrier to the +1 symbol frequency (positive frequency deviation) or to the -1 symbol frequency (negative frequency deviation).

Data Rate is the data rate in bits per second (bps).

The value of K is then determined by

$$MI \geq 1, AFC\ off: K = Floor \left[ \frac{IF\_Freq}{FSK\_Dev} \right]$$

$$MI < 1, AFC\ off: K = Floor \left[ \frac{IF\_Freq}{\frac{Data\ Rate}{2}} \right]$$

$$MI \geq 1, AFC\ on: K = Floor \left[ \frac{IF\_Freq}{FSK\_Dev + Freq\_Error\_Max} \right]$$

$$MI < 1, AFC\ on: K = Floor \left[ \frac{IF\_Freq}{\frac{Data\ Rate}{2} + Freq\_Error\_Max} \right]$$

where:

MI is the modulation index.

K is the discriminator coefficient.

Floor[x] is a function to round down to the nearest integer.

IF\_Freq is the IF frequency in hertz (200 kHz or 300 kHz).

FSK\_Dev is the 2FSK/GFSK/MSK/GMSK frequency deviation in hertz.

Freq\_Error\_Max is the maximum expected frequency error, in hertz, between Tx and Rx.

**Step 2: Calculate the DISCRIM\_BW Setting**

The bandwidth setting of the discriminator is calculated based on the Discriminator Coefficient K and the IF frequency. The bandwidth is set using the DISCRIM\_BW[7:0] setting (Address 0x10F), which is calculated according to

$$DISCRIM\_BW[7:0] = Round \left[ \frac{K \times 3.25\ MHz}{IF\_Freq} \right]$$

**Step 3: Calculate the DISCRIM\_PHASE Setting**

The phase setting of the discriminator is calculated based on the Discriminator Coefficient K, as described in Table 37. The phase is set using the DISCRIM\_PHASE[1:0] value in the RADIO\_CFG\_6 register (Address 0x112).

**Table 37. Setting the DISCRIM\_PHASE[1:0] Values Based on K**

| K    | K/2  | (K + 1)/2 | DISCRIM_PHASE[1:0] |
|------|------|-----------|--------------------|
| Even | Odd  |           | 0                  |
| Odd  |      | Even      | 1                  |
| Even | Even |           | 2                  |
| Odd  |      | Odd       | 3                  |

**AFC**

The ADF7023-J features an internal real-time automatic frequency control loop. In receive mode, the control loop automatically monitors the frequency error during the packet preamble sequence and adjusts the receiver synthesizer local oscillator using proportional integral (PI) control. The AFC frequency error measurement bandwidth is targeted specifically at the packet preamble sequence (dc free). AFC is supported during 2FSK/GFSK/MSK/GMSK demodulation.

AFC can be configured to lock on detection of the qualified preamble or on detection of the qualified sync word. To lock AFC on detection of the qualified preamble, set AFC\_LOCK\_MODE = 3 (Address 0x116) and ensure that preamble detection is enabled in the PREAMBLE\_MATCH register (Address 0x11B). AFC lock is released if the sync word is not detected immediately after the end of the preamble. In packet mode, if the qualified preamble is followed by a qualified sync word, the AFC lock is maintained for the duration of the packet. In sport mode, the AFC lock is released on transitioning back to the PHY\_ON state or when a CMD\_PHY\_RX is issued while in the PHY\_RX state.

To lock AFC on detection of the qualified sync word, set AFC\_LOCK\_MODE = 3 and ensure that preamble detection is disabled in the PREAMBLE\_MATCH register (Address 0x11B). If this mode is selected, consideration must be given to the selection of the sync word. The sync word should be dc free and have short run lengths yet low correlation with the preamble sequence. See the



sync word description in the Packet Mode section for further details. After lock on detection of the qualified sync word, the AFC lock is maintained for the duration of the packet. In sport mode, the AFC lock is released on transitioning back to the PHY\_ON state or when CMD\_PHY\_RX is issued while in the PHY\_RX state.

AFC is enabled by setting the AFC\_LOCK\_MODE bits in the RADIO\_CFG\_10 register (Address 0x116), as described in Table 38.

**Table 38. AFC Mode**

| AFC_LOCK_MODE [1:0] | Mode   |
|---------------------|--|
| 0                   | Free running: AFC is free running.               |
| 1                   | Disabled: AFC is disabled.                       |
| 2                   | Hold: AFC is paused.                             |
| 3                   | Lock: AFC locks after the preamble or sync word. |

The bandwidth of the AFC loop can be controlled by the AFC\_KI and AFC\_KP bits in the RADIO\_CFG\_11 register (Address 0x117).

The maximum AFC pull-in range is automatically set based on the programmed IF filter bandwidth (the IFBW bits in the RADIO\_CFG\_9 register (Address 0x115)).

**Table 39. Maximum AFC Pull-In Range**

| IF Bandwidth (kHz) | Max AFC Pull-In Range (kHz) |
|--------------------|-----------------------------|
| 100                | ±50                         |
| 150                | ±75                         |
| 200                | ±100                        |
| 300                | ±150                        |

### AFC and Preamble Length

The AFC requires a certain number of the received preamble bits to correct the frequency error between the transmitter and the receiver. The number of preamble bits required depends on the data rate and whether the AFC is locked on detection of the qualified preamble or locked on detection of the qualified sync word. This is discussed in more detail in the Recommended Receiver Settings for 2FSK/GFSK/MSK/GMSK section.

### AFC Readback

The frequency error between the received carrier and the receiver local oscillator can be measured when AFC is enabled. The error value can be read from the FREQUENCY\_ERROR\_READBACK register (Address 0x372), where each LSB equates to 1 kHz. The value is a twos complement number. The FREQUENCY\_ERROR\_READBACK value is valid in the PHY\_RX state after the AFC has been locked. The value is retained in the FREQUENCY\_ERROR\_READBACK register after recovering a packet and transitioning back to the PHY\_ON state.

### Post-Demodulator Filter

A second-order, digital low-pass filter removes excess noise from the demodulated bit stream at the output of the discriminator. The bandwidth of this post-demodulator filter is programmable and must be optimized for the user's data rate and received modulation type. If the bandwidth is set too narrow, performance degrades

due to inter-symbol interference (ISI). If the bandwidth is set too wide, excess noise degrades the performance of the receiver. For optimum performance, the post-demodulator filter bandwidth should be set close to 0.75 times the data rate (when using FSK/GFSK/MSK/GMSK modulation). The actual bandwidth of the post-demodulator filter is given by

$$\text{Post-Demodulator Filter Bandwidth (kHz)} = \text{POST\_DEMOD\_BW} \times 2$$

where POST\_DEMOD\_BW is set in the RADIO\_CFG\_4 register (Address 0x110).

### CLOCK RECOVERY

An oversampled digital clock and data recovery (CDR) PLL is used to resynchronize the received bit stream to a local clock in all modulation modes. The maximum symbol rate tolerance of the CDR PLL is determined by the number of bit transitions in the transmitted bit stream. For example, during reception of a 010101 preamble, the CDR achieves a maximum data rate tolerance of ±3.0%. However, this tolerance is reduced during recovery of the remainder of the packet where symbol transitions may not be guaranteed to occur at regular intervals during the payload data. To maximize data rate tolerance of the receiver's CDR, 8b/10b encoding or Manchester encoding should be enabled, which guarantees a maximum number of contiguous bits in the transmitted bit stream. Data whitening can also be enabled on the ADF7023-J to break up long sequences of contiguous data bit patterns.

Using 2FSK/GFSK/MSK/GMSK modulation, it is also possible to tolerate uncoded payload data fields and payload data fields with long run length coding constraints if the data rate tolerance and packet length are both constrained. More details of CDR operation using uncoded packet formats are discussed in the AN-915 Application Note.

The CDR PLL of the ADF7023-J is optimized for fast acquisition of the recovered symbols during preamble and typically achieves bit synchronization within five symbol transitions of preamble.

### RECOMMENDED RECEIVER SETTINGS FOR 2FSK/GFSK/MSK/GMSK

To optimize the ADF7023-J receiver performance and to ensure the lowest possible packet error rate, it is recommended to use the following configurations:

- Set the recommended AGC low and high thresholds and the AGC clock divide.
- Set the recommended AFC Ki and Kp parameters.
- Use a preamble length ≥ the minimum recommended preamble length.
- When the AGC is configured to lock on the sync word at data rates greater than 200 kbps, it is recommended to set the sync word error tolerance to one bit.

The recommended settings for AGC, AFC, preamble length, and sync word are summarized in Table 41.

**Recommended AGC Settings**

To optimize the receiver for robust packet error rate performance, when using minimum preamble length over the full input power range, it is recommended to overwrite the default AGC settings in the MCR memory. The recommended settings are as follows:

- AGC\_HIGH\_THRESHOLD (Address 0x35F) = 0x78
- AGC\_LOW\_THRESHOLD (Address 0x35E) = 0x46
- AGC\_CLK\_DIVIDE (Address 0x32F) = 0x0F or 0x19 (depends on the data rate; see Table 41)

MCR memory is not retained in PHY\_SLEEP; therefore, to allow the use of these optimized AGC settings in low power mode applications, a static register fix can be used. An example static register fix to write to the AGC settings in MCR memory is shown in Table 40.

Note that the accuracy of the RSSI readback is degraded with these modified settings.

**Table 40. Example Static Register Fix for AGC Settings**

| <b>BGRAM Register</b>     | <b>Data</b> | <b>Description</b>   |
|---------------------------|-------------|--|
| 0x128<br>(STATIC_REG_FIX) | 0x2B        | Pointer to BGRAM Address 0x12B                               |
| 0x12B                     | 0x5E        | MCR Address 0x35E  |
| 0x12C                     | 0x46        | Data to write to MCR Address 0x35E (sets AGC low threshold)  |
| 0x12D                     | 0x5F        | MCR Address 0x35F  |
| 0x12E                     | 0x78        | Data to write to MCR Address 0x35F (sets AGC high threshold) |
| 0x12F                     | 0x2F        | MCR Address 0x32F  |
| 0x130                     | 0x0F        | Data to write to MCR Address 0x32F (sets AGC clock divide)   |
| 0x131                     | 0x00        | Ends static MCR register fixes                               |

**Recommended AFC Settings**

The bandwidth of the AFC loop is controlled by the AFC\_KI and AFC\_KP bits in the RADIO\_CFG\_11 register (Address 0x117). To ensure optimum AFC accuracy while minimizing the AFC settling time (and thus the required preamble length), the AFC\_KI and AFC\_KP bits should be set as outlined in Table 41.

**Recommended Preamble Length**

When AFC is locked on preamble detection, the minimum preamble length is between 40 bits and 60 bits depending on the data rate. When AFC is set to lock on sync word detection, the minimum preamble length is between 14 bits and 32 bits, depending on the data rate. When AFC and preamble detection are disabled, the minimum preamble length is dependent on the AGC settling time and the CDR acquisition time and is between 8 bits and 24 bits, depending on the data rate. The required preamble length for various data rates and receiver configurations is summarized in Table 41.

**Recommended Sync Word Tolerance**

At data rates greater than 200 kbps and when the AGC is configured to lock on the sync word, it is recommended to set the sync word error tolerance to one bit (SYNC\_ERROR\_TOL = 1). This prevents an AGC gain change during sync word reception causing a packet loss by allowing one bit error in the received sync word.

Table 41. Summary of Recommended AGC, AFC, Preamble Length, and Sync Word Error Tolerance for 2FSK/GFSK/MSK/GMSK

| Data Rate (kbps) | Frequency Deviation (kHz) | IF BW (kHz) | AFC Pull-In Range (kHz) | Setup <sup>1</sup> | AGC <sup>2</sup> |               |              | AFC <sup>3</sup> |    |    | Minimum Preamble Length (Bits) <sup>4</sup> | Sync Word Error Tolerance (Bits) <sup>5</sup> |
|------------------|---------------------------|-------------|-------------------------|--------------------|------------------|---------------|--------------|------------------|----|----|---|---|
|                  |                           |             |                         |                    | High Threshold   | Low Threshold | Clock Divide | On/Off           | Ki | Kp |   |   |
| 300              | 75                        | 300         | ±150                    | 1                  | 0x78             | 0x46          | 0x0F         | On               | 7  | 3  | 64  | 0   |
|                  |                           |             |                         | 2                  | 0x78             | 0x46          | 0x19         | On               | 8  | 3  | 32  | 1   |
|                  |                           |             |                         | 3                  | 0x78             | 0x46          | 0x19         | Off              |    |    | 24  | 1   |
| 200              | 50                        | 200         | ±100                    | 1                  | 0x78             | 0x46          | 0x19         | On               | 7  | 3  | 58  | 0   |
| 150              | 37.5                      | 150         | ±75                     | 1                  | 0x78             | 0x46          | 0x19         | On               | 7  | 3  | 54  | 0   |
| 100              | 25                        | 100         | ±50                     | 1                  | 0x78             | 0x46          | 0x19         | On               | 7  | 3  | 52  | 0   |
| 50               | 12.5                      | 100         | ±50                     | 1                  | 0x78             | 0x46          | 0x19         | On               | 7  | 3  | 50  | 0   |
| 38.4             | 20                        | 100         | ±50                     | 1                  | 0x78             | 0x46          | 0x19         | On               | 7  | 3  | 44  | 0   |
|                  |                           |             |                         | 2                  | 0x78             | 0x46          | 0x19         | On               | 7  | 3  | 14  | 0   |
|                  |                           |             |                         | 3                  | 0x78             | 0x46          | 0x19         | Off              |    |    | 8   | 0   |
| 9.6              | 10                        | 100         | ±50                     | 1                  | 0x78             | 0x46          | 0x19         | Off              |    |    | 8   | 0   |
|                  |                           |             |                         | 1                  | 0x78             | 0x46          | 0x19         | On               | 7  | 3  | 46  | 0   |
| 1                | 10                        | 100         | ±50                     | 1                  | 0x78             | 0x46          | 0x19         | Off              |    |    | 8   | 0   |
|                  |                           |             |                         | 1                  | 0x78             | 0x46          | 0x19         | On               | 7  | 3  | 40  | 0   |

<sup>1</sup> Setup 1: AFC and AGC are configured to lock on preamble detection by setting AFC\_LOCK\_MODE = 3 and AGC\_LOCK\_MODE = 3.

Setup 2: AFC and AGC are configured to lock on sync word detection by setting AFC\_LOCK\_MODE = 3, AGC\_LOCK\_MODE = 3, and PREAMBLE\_MATCH = 0.

Setup 3: AFC is disabled and AGC is configured to lock on sync word detection by setting AFC\_LOCK\_MODE = 1, AGC\_LOCK\_MODE = 3, and PREAMBLE\_MATCH = 0. For Setup 2 and Setup 3, sync word length is 24 bits. Sync word detect length has an impact on minimum preamble length.

<sup>2</sup> The AGC high threshold is configured by writing to the AGC\_HIGH\_THRESHOLD register (Address 0x35F). The AGC low threshold is configured by writing to the AGC\_LOW\_THRESHOLD register (Address 0x35E). The AGC clock divide is configured by writing to the AGC\_CLK\_DIVIDE register (Address 0x32F). Note that the accuracy of the RSSI readback is degraded with these modified AGC threshold settings.

<sup>3</sup> The AFC is enabled or disabled by writing to the AFC\_LOCK\_MODE setting in register RADIO\_CFG\_10 (Address 0x116). The AFC Ki and Kp parameters are configured by writing to the AFC\_KP and AFC\_KI settings in the RADIO\_CFG\_11 register (Address 0x117).

<sup>4</sup> The transmit preamble length (in bytes) is set by writing to the PREAMBLE\_LEN register (Address 0x11D).

<sup>5</sup> The sync word error tolerance (in bits) is set by writing to the SYNC\_ERROR\_TOL setting in the SYNC\_CONTROL register (Address 0x120).

## PERIPHERAL FEATURES

### ANALOG-TO-DIGITAL CONVERTER

The ADF7023-J supports an integrated SAR ADC for digitization of analog signals that include the analog temperature sensor, the analog RSSI level, and an external analog input signal (Pin 30). The conversion time is typically 1  $\mu$ s. The result of the conversion can be read from the ADC\_READBACK\_HIGH register (Address 0x327), and the ADC\_READBACK\_LOW register (Address 0x328). The ADC readback is an 8-bit value.

The signal source for the ADC input is selected via the ADC\_CONFIG\_LOW register (Address 0x359). In the PHY\_RX state, the source is automatically set to the analog RSSI. The ADC is automatically enabled in PHY\_RX. In other radio states, the host processor must enable the ADC by setting POWERDOWN\_RX (Address 0x324) = 0x10.

To perform an ADC readback, the following procedure should be completed:

1. Read ADC\_READBACK\_HIGH. This initializes an ADC readback.
2. Read ADC\_READBACK\_LOW. This returns ADC\_READBACK[1:0] of the ADC sample.
3. Read ADC\_READBACK\_HIGH. This returns ADC\_READBACK[7:2] of the ADC sample.

### TEMPERATURE SENSOR

The integrated temperature sensor has an operating range between  $-40^{\circ}\text{C}$  and  $+85^{\circ}\text{C}$ . To enable readback of the temperature sensor in PHY\_OFF, PHY\_ON, or PHY\_TX, the following registers must be set:

1. Set POWERDOWN\_RX (Address 0x324) = 0x10 = 0x10. This enables the ADC.
2. Set POWERDOWN\_AUX (Address 0x325) = 0x02. This enables the temperature sensor.
3. Set ADC\_CONFIG\_LOW (Address 0x359) = 0x08. This sets the ADC input to the temperature sensor.

The temperature is determined from the ADC readback value using the following formula:

$$\text{Temperature } (^{\circ}\text{C}) = 0.9474 \times (\text{ADC\_READBACK}[7:0] - \text{CalibrationValue}[7:0]) + T_{\text{Calibration}}$$

The CalibrationValue[7:0] is determined via an ADC readback at a single known temperature, T<sub>Calibration</sub>.

### TEST DAC

The test DAC allows the output of the post-demodulator filter to be viewed externally. It takes the 16-bit filter output and

converts it to a high frequency, single-bit output using a second-order  $\Sigma$ - $\Delta$  converter. The output can be viewed on the GP0 pin. This signal, when filtered appropriately, can be used to

- Monitor the signal at the post-demodulator filter output
- Measure the demodulator output SNR
- Construct an eye diagram of the received bit stream to measure the received signal quality
- Implement analog FM demodulation

To enable the test DAC, the GPIO\_CONFIGURE setting (Address 0x3FA) should be set to 0xC9. The TEST\_DAC\_GAIN setting (Address 0x3FD) should be set to 0x00. The test DAC signal at the GP0 pin can be filtered with a 3-stage, low-pass RC filter to reconstruct the demodulated signal. For more information, see the AN-852 Application Note.

### TRANSMIT TEST MODES

There are two transmit test modes that are enabled by setting the VAR\_TX\_MODE parameter (Address 0x00D in packet RAM memory), as described in Table 42. VAR\_TX\_MODE should be set before entering the PHY\_TX state.

Table 42. Transmit Test Modes

| VAR_TX_MODE | Mode                               |
|-------------|------------------------------------|
| 0           | Default; no transmit test mode     |
| 1           | Transmit random data continuously  |
| 2           | Transmit the preamble continuously |
| 3           | Transmit the carrier continuously  |
| 4 to 255    | Reserved                           |

### SILICON REVISION READBACK

The product code and silicon revision code can be read from the packet RAM memory as described in Table 43. The values of the product code and silicon revision code are valid only on power-up or wake-up from the PHY\_SLEEP state because the communications processor overwrites these values on transitioning from the PHY\_ON state.

Table 43. Product Code and Silicon Revision Code

| Packet RAM Location | Description                                  |
|---------------------|--|
| 0x001               | Product code, most significant byte = 0x70   |
| 0x002               | Product code, least significant byte = 0x23  |
| 0x003               | Silicon revision code, most significant byte |
| 0x004               | Silicon revision code least significant byte |

# APPLICATIONS INFORMATION

## APPLICATION CIRCUIT

A typical application circuit for the [ADF7023-J](#) is shown in Figure 84. All external components required for operation of the device, excluding supply decoupling capacitors, are shown. This example circuit uses a combined single-ended PA and LNA match. Further details on matching topologies and different host processor interfaces are given in the Host Processor Interface section and the PA/LNA Matching section.

## HOST PROCESSOR INTERFACE

The interface, when using packet mode, between the [ADF7023-J](#) and the host processor is shown in Figure 82. In packet mode, all communication between the host processor and the [ADF7023-J](#) occurs on the SPI interface and the IRQ\_GP3 pin. The interface between the [ADF7023-J](#) and the host processor in sport mode is shown in Figure 83. In sport mode, the transmit and receive data interface consists of the GP0, GP1, and GP2 pins and a separate interrupt is available on GP4, while the SPI interface is used for memory access and issuing of commands.

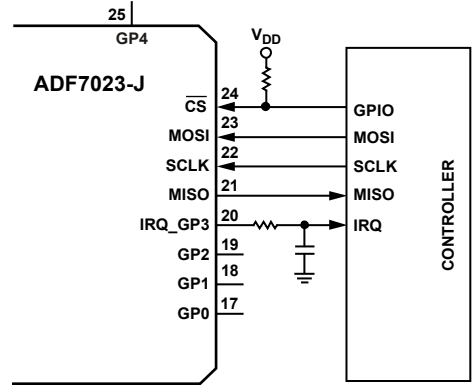


Figure 82. Processor Interface in Packet Mode

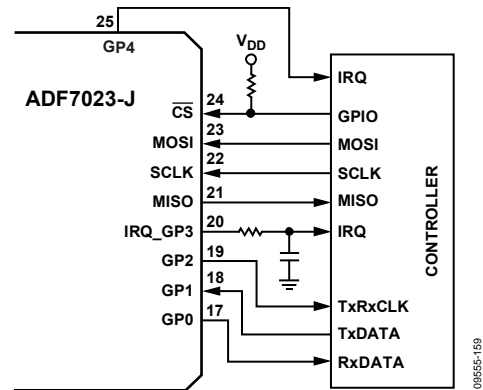


Figure 83. Processor Interface in Sport Mode

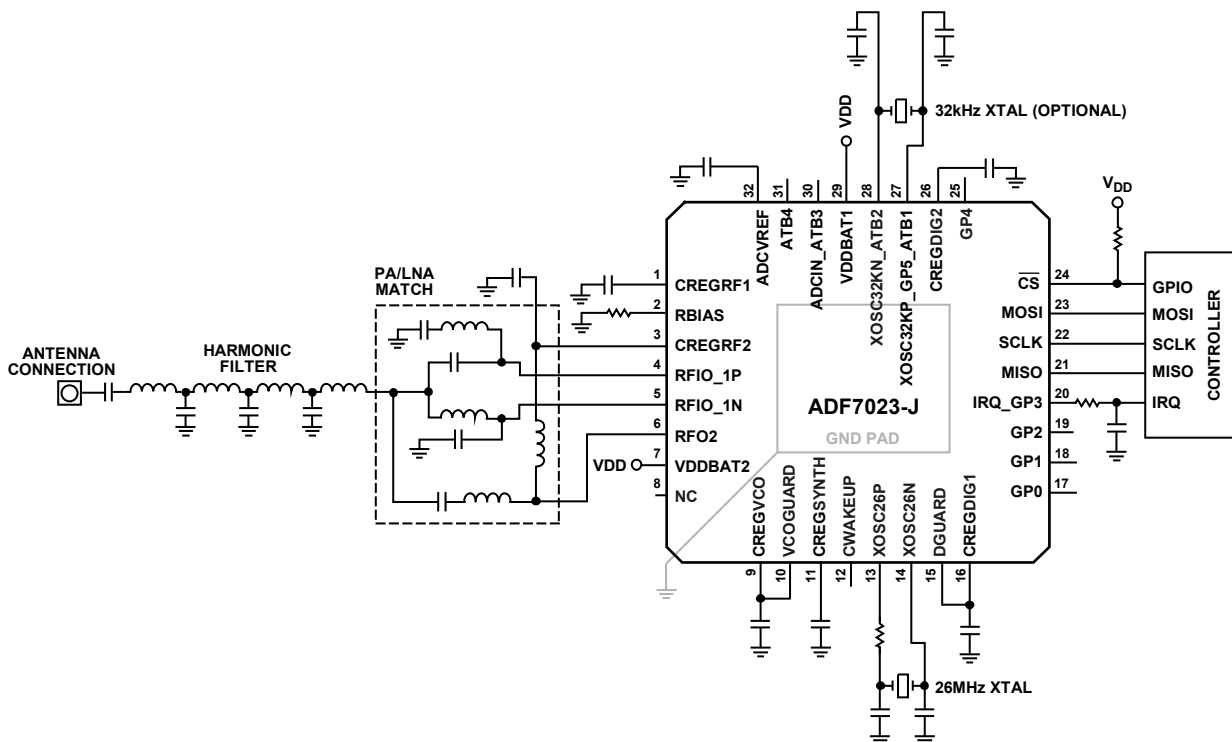


Figure 84. Typical [ADF7023-J](#) Application Circuit Diagram

**PA/LNA MATCHING**

The ADF7023-J has a differential LNA and both a single-ended PA and differential PA. This flexibility allows numerous possibilities in interfacing the ADF7023-J to the antenna.

**Combined Single-Ended PA and LNA Match**

The combined single-ended PA and LNA match allows the transmit and receive paths to be combined without the use of an external transmit/receive switch. The matching network design is shown in Figure 86. The differential LNA match is a five-element discrete balun giving a single-ended input. The single-ended PA output is a three-element match consisting of the choke inductor to the CREGRF2 regulated supply and an inductor and capacitor series.

The LNA and PA paths are combined, and a seventh-order harmonic filter provides attenuation of the transmit harmonics. In a combined match, the off impedances of the PA and LNA must be considered. This can lead to a small loss in transmit power and degradation in receiver sensitivity in comparison with a separate single-ended PA and LNA match. However, with optimum matching, the typical loss in transmit power is <1 dB, and the degradation in sensitivity is <1 dB when compared with a separate PA and LNA matching topology.

**Separate Single-Ended PA/LNA Match**

The separate single-ended PA and LNA matching configuration is illustrated in Figure 85. The network is the same as the combined matching network shown in Figure 86 except that the transmit and receive paths are separate. An external transmit/receive antenna switch can be used to combine the transmit and receive paths to allow connection to an antenna. In designing this matching network, it is not necessary to consider the off impedances of the PA and LNA, and, thus, achieving an optimum match is less complex than with the combined single-ended PA and LNA match.

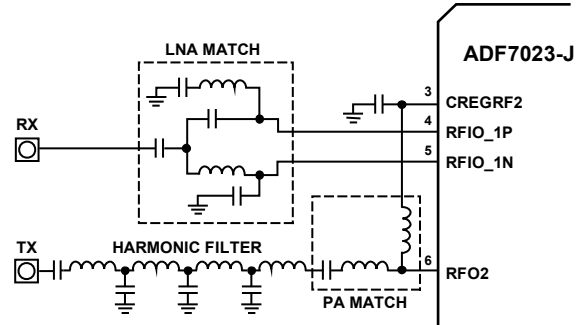


Figure 85. Separate Single-Ended PA and LNA Match

**Combined Differential PA/LNA Match**

In this matching topology, the single-ended PA is not used. The differential PA and LNA match comprises a five-element discrete balun giving a single-ended input/output, as illustrated in Figure 87. The harmonic filter is used to minimize the RF harmonics from the differential PA.

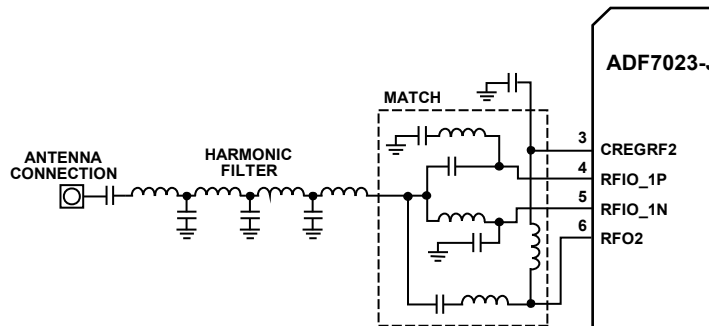


Figure 86. Combined Single-Ended PA and LNA Match

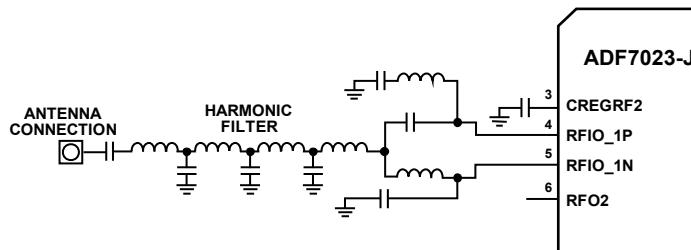


Figure 87. Combined Differential PA and LNA Match

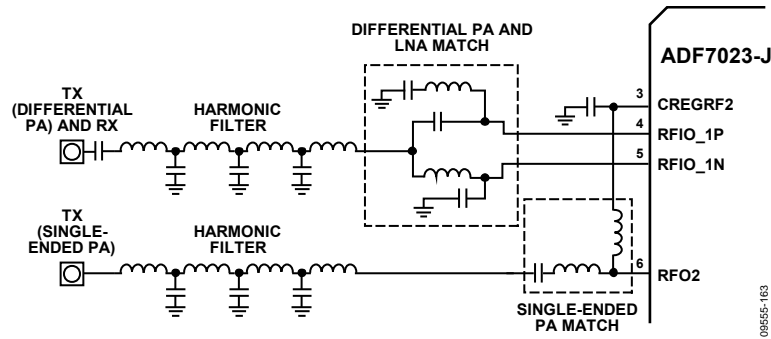


Figure 88. Matching Topology for Transmit Antenna Diversity

**Transmit Antenna Diversity**

Transmit antenna diversity is possible using the differential PA and single-ended PA. The required matching network is shown in Figure 88.

**Support for External PA and LNA Control**

The ADF7023-J provides independent control signals for an external PA or LNA. If the EXT\_PA\_EN bit is set to 1 in the MODE\_CONTROL register (Address 0x11A), the external PA control signal is logic high while the ADF7023-J is in the PHY\_TX state and logic low while in any other state. If the EXT\_LNA\_EN bit is set to 1 in the MODE\_CONTROL register (Address 0x11A), the external LNA control signal is logic high while the ADF7023-J is in the PHY\_RX state and logic low while in any other state.

The external PA and LNA control signals can be configured using the EXT\_PA\_LNA\_ATB\_CONFIG setting (Address 0x139) as described in Table 44.

**Table 44. Configuration of the External PA and LNA Control Signals**

| EXT_PA_LNA_ATB_CONFIG | Configuration  |
|-----------------------|--|
| 1                     | External PA signal on ADCIN_ATB3 and external LNA signal on ATB4 (1.8 V logic outputs)                           |
| 0                     | External PA signal on XOSC32KP_GP5_ATB1 and external LNA signal on XOSC32KN_ATB2 (V <sub>DD</sub> logic outputs) |

## COMMAND REFERENCE

Table 45. Radio Controller Commands

| Command                           | Code | Description  |
|-----------------------------------|------|--|
| CMD_SYNC                          | 0xA2 | Synchronizes the communications processor to the host processor after reset.                           |
| CMD_PHY_OFF                       | 0xB0 | Performs a transition of the device into the PHY_OFF state.  |
| CMD_PHY_ON                        | 0xB1 | Performs a transition of the device into the PHY_ON state.   |
| CMD_PHY_RX                        | 0xB2 | Performs a transition of the device into the PHY_RX state.   |
| CMD_PHY_TX                        | 0xB5 | Performs a transition of the device into the PHY_TX state.   |
| CMD_PHY_SLEEP                     | 0xBA | Performs a transition of the device into the PHY_SLEEP state.  |
| CMD_CONFIG_DEV                    | 0xBB | Configures the radio parameters based on the BBRAM values.   |
| CMD_GET_RSSI                      | 0xBC | Performs an RSSI measurement.  |
| CMD_BB_CAL                        | 0xBE | Performs a calibration of the IF filter.   |
| CMD_HW_RESET                      | 0xC8 | Performs a full hardware reset. The device enters the PHY_SLEEP state.                                 |
| CMD_RAM_LOAD_INIT                 | 0xBF | Prepares the program RAM for a firmware module download.   |
| CMD_RAM_LOAD_DONE                 | 0xC7 | Performs a reset of the communications processor after download of a firmware module to program RAM.   |
| CMD_IR_CAL <sup>1</sup>           | 0xBD | Initiates an image rejection calibration routine.  |
| CMD_AES_ENCRYPT <sup>2</sup>      | 0xD0 | Performs an AES encryption on the transmit payload data stored in packet RAM.                          |
| CMD_AES_DECRYPT <sup>2</sup>      | 0xD2 | Performs an AES decryption on the received payload data stored in packet RAM.                          |
| CMD_AES_DECRYPT_INIT <sup>2</sup> | 0xD1 | Initializes the internal variables required for AES decryption.  |
| CMD_RS_ENCODE_INIT <sup>3</sup>   | 0xD1 | Initializes the internal variables required for the Reed Solomon encoding.                             |
| CMD_RS_ENCODE <sup>3</sup>        | 0xD0 | Calculates and appends the Reed-Solomon check bytes to the transmit payload data stored in packet RAM. |
| CMD_RS_DECODE <sup>3</sup>        | 0xD2 | Performs a Reed-Solomon error correction on the received payload data stored in packet RAM.            |

<sup>1</sup> The image rejection calibration firmware module must be loaded to program RAM for this command to be functional.

<sup>2</sup> The AES firmware module must be loaded to program RAM for this command to be functional.

<sup>3</sup> The Reed-Solomon Coding firmware module must be loaded to program RAM for this command to be functional.

Table 46. SPI Commands

| Command     | Code   | Description  |
|-------------|--|--|
| SPI_MEM_WR  | 00011xxx =<br>0x18 (packet RAM),<br>0x19 (BBRAM),<br>0x1B (MCR),<br>0x1E (program RAM) | Writes data to BBRAM, MCR, or packet RAM memory sequentially. An 11-bit address is used to identify memory locations. The most significant three bits of the address are incorporated into the command (xxx). This command is followed by the remaining eight bits of the address, which are subsequently followed by the data bytes to be written.                |
| SPI_MEM_RD  | 00111xxx =<br>0x38 (packet RAM),<br>0x39 (BBRAM),<br>0x3B (MCR)                        | Reads data from BBRAM, MCR, or packet RAM memory sequentially. An 11-bit address is used to identify memory locations. The most significant three bits of the address are incorporated into the command (xxx). This command is followed by the remaining eight bits of the address, which are subsequently followed by the appropriate number of SPI_NOP commands. |
| SPI_MEMR_WR | 00001xxx =<br>0x08 (packet RAM),<br>0x09 (BBRAM),<br>0x0B (MCR)                        | Writes data to BBRAM, MCR, or packet RAM memory nonsequentially.   |
| SPI_MEMR_RD | 00101xxx =<br>0x28 (packet RAM),<br>0x29 (BBRAM),<br>0x2B (MCR)                        | Reads data from BBRAM, MCR, or packet RAM memory nonsequentially.  |
| SPI_NOP     | 0xFF   | No operation. Use for dummy writes when polling the status word; used also as dummy data when performing a memory read.  |



## REGISTER MAPS

Table 47. Battery Backup Memory (BBRAM)

| Address (Hex)  | Register                          | Retained in PHY_SLEEP | R/W | Group  |
|----------------|-----------------------------------|-----------------------|-----|--------|
| 0x100          | INTERRUPT_MASK_0                  | Yes                   | R/W | MAC    |
| 0x101          | INTERRUPT_MASK_1                  | Yes                   | R/W | MAC    |
| 0x102          | NUMBER_OF_WAKEUPS_0               | Yes                   | R/W | MAC    |
| 0x103          | NUMBER_OF_WAKEUPS_1               | Yes                   | R/W | MAC    |
| 0x104          | NUMBER_OF_WAKEUPS_IRQ_THRESHOLD_0 | Yes                   | R/W | MAC    |
| 0x105          | NUMBER_OF_WAKEUPS_IRQ_THRESHOLD_1 | Yes                   | R/W | MAC    |
| 0x106          | RX_DWELL_TIME                     | Yes                   | R/W | MAC    |
| 0x107          | PARMTIME_DIVIDER                  | Yes                   | R/W | MAC    |
| 0x108          | SWM_RSSI_THRESH                   | Yes                   | R/W | PHY    |
| 0x109          | CHANNEL_FREQ_0                    | Yes                   | R/W | PHY    |
| 0x10A          | CHANNEL_FREQ_1                    | Yes                   | R/W | PHY    |
| 0x10B          | CHANNEL_FREQ_2                    | Yes                   | R/W | PHY    |
| 0x10C          | RADIO_CFG_0                       | Yes                   | R/W | PHY    |
| 0x10D          | RADIO_CFG_1                       | Yes                   | R/W | PHY    |
| 0x10E          | RADIO_CFG_2                       | Yes                   | R/W | PHY    |
| 0x10F          | RADIO_CFG_3                       | Yes                   | R/W | PHY    |
| 0x110          | RADIO_CFG_4                       | Yes                   | R/W | PHY    |
| 0x111          | RADIO_CFG_5                       | Yes                   | R/W | PHY    |
| 0x112          | RADIO_CFG_6                       | Yes                   | R/W | PHY    |
| 0x113          | RADIO_CFG_7                       | Yes                   | R/W | PHY    |
| 0x114          | RADIO_CFG_8                       | Yes                   | R/W | PHY    |
| 0x115          | RADIO_CFG_9                       | Yes                   | R/W | PHY    |
| 0x116          | RADIO_CFG_10                      | Yes                   | R/W | PHY    |
| 0x117          | RADIO_CFG_11                      | Yes                   | R/W | PHY    |
| 0x118          | IMAGE_REJECT_CAL_PHASE            | Yes                   | R/W | PHY    |
| 0x119          | IMAGE_REJECT_CAL_AMPLITUDE        | Yes                   | R/W | PHY    |
| 0x11A          | MODE_CONTROL                      | Yes                   | R/W | PHY    |
| 0x11B          | PREAMBLE_MATCH                    | Yes                   | R/W | Packet |
| 0x11C          | SYMBOL_MODE                       | Yes                   | R/W | Packet |
| 0x11D          | PREAMBLE_LEN                      | Yes                   | R/W | Packet |
| 0x11E          | CRC_POLY_0                        | Yes                   | R/W | Packet |
| 0x11F          | CRC_POLY_1                        | Yes                   | R/W | Packet |
| 0x120          | SYNC_CONTROL                      | Yes                   | R/W | Packet |
| 0x121          | SYNC_BYTE_0                       | Yes                   | R/W | Packet |
| 0x122          | SYNC_BYTE_1                       | Yes                   | R/W | Packet |
| 0x123          | SYNC_BYTE_2                       | Yes                   | R/W | Packet |
| 0x124          | TX_BASE_ADR                       | Yes                   | R/W | Packet |
| 0x125          | RX_BASE_ADR                       | Yes                   | R/W | Packet |
| 0x126          | PACKET_LENGTH_CONTROL             | Yes                   | R/W | Packet |
| 0x127          | PACKET_LENGTH_MAX                 | Yes                   | R/W | Packet |
| 0x128          | STATIC_REG_FIX                    | Yes                   | R/W | PHY    |
| 0x129          | ADDRESS_MATCH_OFFSET              | Yes                   | R/W | Packet |
| 0x12A          | ADDRESS_LENGTH                    | Yes                   | R/W | Packet |
| 0x12B to 0x137 | Address matching                  | Yes                   | R/W | Packet |
| 0x138          | RSSI_WAIT_TIME                    | Yes                   | R/W | PHY    |
| 0x139          | TESTMODES                         | Yes                   | R/W | MAC    |
| 0x13A          | TRANSITION_CLOCK_DIV              | Yes                   | R/W | PHY    |
| 0x13B to 0x13D | Reserved—set to 0x00              | N/A                   | R/W | N/A    |
| 0x13E          | RX_SYNTH_LOCK_TIME                | Yes                   | R/W | PHY    |
| 0x13F          | TX_SYNTH_LOCK_TIME                | Yes                   | R/W | PHY    |

Table 48. Modem Configuration Memory (MCR)

| Address (Hex) | Register                          | Retained in PHY_SLEEP | R/W |
|---------------|-----------------------------------|-----------------------|-----|
| 0x307         | PA_LEVEL_MCR                      | No                    | R/W |
| 0x30C         | WUC_CONFIG_HIGH                   | No                    | W   |
| 0x30D         | WUC_CONFIG_LOW                    | No                    | W   |
| 0x30E         | WUC_VALUE_HIGH                    | No                    | W   |
| 0x30F         | WUC_VALUE_LOW                     | No                    | W   |
| 0x310         | WUC_FLAG_RESET                    | No                    | R/W |
| 0x311         | WUC_STATUS                        | No                    | R   |
| 0x312         | RSSI_READBACK                     | No                    | R   |
| 0x315         | MAX_AFC_RANGE                     | No                    | R/W |
| 0x319         | IMAGE_REJECT_CAL_CONFIG           | No                    | R/W |
| 0x322         | CHIP_SHUTDOWN                     | No                    | R/W |
| 0x324         | POWERDOWN_RX                      | No                    | R/W |
| 0x325         | POWERDOWN_AUX                     | No                    | R/W |
| 0x327         | ADC_READBACK_HIGH                 | No                    | R   |
| 0x328         | ADC_READBACK_LOW                  | No                    | R   |
| 0x32D         | BATTERY_MONITOR_THRESHOLD_VOLTAGE | No                    | R/W |
| 0x32E         | EXT_UC_CLK_DIVIDE                 | No                    | R/W |
| 0x32F         | AGC_CLK_DIVIDE                    | No                    | R/W |
| 0x336         | INTERRUPT_SOURCE_0                | No                    | R/W |
| 0x337         | INTERRUPT_SOURCE_1                | No                    | R/W |
| 0x338         | CALIBRATION_CONTROL               | No                    | R/W |
| 0x339         | CALIBRATION_STATUS                | No                    | R   |
| 0x345         | RXBB_CAL_CALWRD_READBACK          | No                    | R   |
| 0x346         | RXBB_CAL_CALWRD_OVERWRITE         | No                    | R/W |
| 0x34F         | RCOSC_CAL_READBACK_HIGH           | No                    | R   |
| 0x350         | RCOSC_CAL_READBACK_LOW            | No                    | R   |
| 0x359         | ADC_CONFIG_LOW                    | No                    | R/W |
| 0x35A         | ADC_CONFIG_HIGH                   | No                    | R/W |
| 0x35B         | Reserved                          | No                    | R/W |
| 0x35C         | AGC_CONFIG                        | No                    | R/W |
| 0x35D         | AGC_MODE                          | No                    | R/W |
| 0x35E         | AGC_LOW_THRESHOLD                 | No                    | R/W |
| 0x35F         | AGC_HIGH_THRESHOLD                | No                    | R/W |
| 0x360         | AGC_GAIN_STATUS                   | No                    | R   |
| 0x372         | FREQUENCY_ERROR_READBACK          | No                    | R   |
| 0x3CB         | VCO_BAND_OVRW_VAL                 | No                    | R/W |
| 0x3CC         | VCO_AMPL_OVRW_VAL                 | No                    | R/W |
| 0x3CD         | VCO_OVRW_EN                       | No                    | R/W |
| 0x3D0         | VCO_CAL_CFG                       | No                    | R/W |
| 0x3D2         | OSC_CONFIG                        | No                    | R/W |
| 0x3DA         | VCO_BAND_READBACK                 | No                    | R   |
| 0x3DB         | VCO_AMPL_READBACK                 | No                    | R   |
| 0x3F8         | ANALOG_TEST_BUS                   | No                    | R/W |
| 0x3F9         | RSSI_TSTMUX_SEL                   | No                    | R/W |
| 0x3FA         | GPIO_CONFIGURE                    | No                    | R/W |
| 0x3FD         | TEST_DAC_GAIN                     | No                    | R/W |

Table 49. Packet RAM Memory

| Address            | Register                                      | R/W |
|--------------------|---|-----|
| 0x000              | VAR_COMMAND                                   | R/W |
| 0x001 <sup>1</sup> | Product code, most significant byte = 0x70    | R   |
| 0x002 <sup>1</sup> | Product code, least significant byte = 0x23   | R   |
| 0x003 <sup>1</sup> | Silicon revision code, most significant byte  | R   |
| 0x004 <sup>1</sup> | Silicon revision code, least significant byte | R   |
| 0x005 to 0x00B     | Reserved                                      | R   |
| 0x00D              | VAR_TX_MODE                                   | R/W |
| 0x00E to 0x00F     | Reserved                                      | R   |
| 0x010 to 0x018     | Custom PLL loop filter look-up table          | R/W |

<sup>1</sup> Only valid on power-up or wake-up from the PHY\_SLEEP state because the communications processor overwrites these values on exit from the PHY\_ON state.

## BBRAM REGISTER DESCRIPTION

Table 50. 0x100: INTERRUPT\_MASK\_0

| Bit | Name                      | R/W | Description   |
|-----|---------------------------|-----|---|
| [7] | INTERRUPT_NUM_WAKEUPS     | R/W | Interrupt when the number of WUC wake-ups (NUMBER_OF_WAKEUPS[15:0]) has reached the threshold (NUMBER_OF_WAKEUPS_IRQ_THRESHOLD[15:0])<br>1: interrupt enabled; 0: interrupt disabled                        |
| [6] | INTERRUPT_SWM_RSSI_DET    | R/W | Interrupt when the measured RSSI during smart wake mode has exceeded the RSSI threshold value (SWM_RSSI_THRESH, Address 0x108)<br>1: interrupt enabled; 0: interrupt disabled                               |
| [5] | INTERRUPT_AES_DONE        | R/W | Interrupt when an AES encryption or decryption command is complete; available only when the AES firmware module has been loaded to the ADF7023-J program RAM<br>1: interrupt enabled; 0: interrupt disabled |
| [4] | INTERRUPT_TX_EOF          | R/W | Interrupt when a packet has finished transmitting<br>1: interrupt enabled; 0: interrupt disabled  |
| [3] | INTERRUPT_ADDRESS_MATCH   | R/W | Interrupt when a received packet has a valid address match<br>1: interrupt enabled; 0: interrupt disabled   |
| [2] | INTERRUPT_CRC_CORRECT     | R/W | Interrupt when a received packet has the correct CRC<br>1: interrupt enabled; 0: interrupt disabled   |
| [1] | INTERRUPT_SYNC_DETECT     | R/W | Interrupt when a qualified sync word has been detected in the received packet<br>1: interrupt enabled; 0: interrupt disabled  |
| [0] | INTERRUPT_PREAMBLE_DETECT | R/W | Interrupt when a qualified preamble has been detected in the received packet<br>1: interrupt enabled; 0: interrupt disabled   |

Table 51. 0x101: INTERRUPT\_MASK\_1

| Bit | Name          | R/W | Description  |
|-----|---------------|-----|--|
| [7] | BATTERY_ALARM | R/W | Interrupt when the battery voltage has dropped below the threshold value (BATTERY_MONITOR_THRESHOLD_VOLTAGE, Address 0x32D)<br>1: interrupt enabled; 0: interrupt disabled |
| [6] | CMD_READY     | R/W | Interrupt when the communications processor is ready to load a new command; mirrors the CMD_READY bit of the status word<br>1: interrupt enabled; 0: interrupt disabled    |
| [5] | Reserved      | R/W |  |
| [4] | WUC_TIMEOUT   | R/W | Interrupt when the WUC has timed out<br>1: interrupt enabled; 0: interrupt disabled  |
| [3] | Reserved      | R/W |  |
| [2] | Reserved      | R/W |  |
| [1] | SPI_READY     | R/W | Interrupt when the SPI is ready for access<br>1: interrupt enabled; 0: interrupt disabled  |
| [0] | CMD_FINISHED  | R/W | Interrupt when the communications processor has finished performing a command<br>1: interrupt enabled; 0: interrupt disabled   |

Table 52. 0x102: NUMBER\_OF\_WAKEUPS\_0

| Bit   | Name                   | R/W | Description  |
|-------|------------------------|-----|--|
| [7:0] | NUMBER_OF_WAKEUPS[7:0] | R/W | Bits[7:0] of [15:0] of an internal 16-bit count of the number of wake-ups (WUC timeouts) the device has gone through. It can be initialized to 0x0000. See Table 53. |

Table 53. 0x103: NUMBER\_OF\_WAKEUPS\_1

| Bit   | Name                    | R/W | Description  |
|-------|-------------------------|-----|--|
| [7:0] | NUMBER_OF_WAKEUPS[15:8] | R/W | Bits[15:8] of [15:0] of an internal 16-bit count of the number of WUC wake-ups the device has gone through. It can be initialized to 0x0000. See Table 52. |

Table 54. 0x104: NUMBER\_OF\_WAKEUPS\_IRQ\_THRESHOLD\_0

| Bit   | Name                                 | R/W | Description  |
|-------|--------------------------------------|-----|--|
| [7:0] | NUMBER_OF_WAKEUPS_IRQ_THRESHOLD[7:0] | R/W | Bits[7:0] of [15:0] (see Table 55). The threshold for the number of wake-ups (WUC timeouts). It is a 16-bit count threshold that is compared against the NUMBER_OF_WAKEUPS bits. When this threshold is exceeded, the device wakes up in the PHY_OFF state and optionally generates INTERRUPT_NUM_WAKEUPS. |

Table 55. 0x105: NUMBER\_OF\_WAKEUPS\_IRQ\_THRESHOLD\_1

| Bit   | Name                                  | R/W | Description                          |
|-------|---------------------------------------|-----|--------------------------------------|
| [7:0] | NUMBER_OF_WAKEUPS_IRQ_THRESHOLD[15:8] | R/W | Bits[15:8] of [15:0] (see Table 54). |

Table 56. 0x106: RX\_DWELL\_TIME

| Bit   | Name          | R/W | Description   |
|-------|---------------|-----|---|
| [7:0] | RX_DWELL_TIME | R/W | When the WUC is used and SWM is enabled, the radio powers up and enables the receiver on the channel defined in the BBRAM and listens for this period of time. If no preamble pattern is detected in this period, the device goes back to sleep.<br>$\text{Receive Dwell Time (s)} = \frac{\text{RX\_DWELL\_TIME} \times 128 \times \text{PARMTIME\_DIVIDER}}{6.5 \text{ MHz}}$ |

Table 57. 0x107: PARMTIME\_DIVIDER

| Bit   | Name             | R/W | Description  |
|-------|------------------|-----|--|
| [7:0] | PARMTIME_DIVIDER | R/W | Units of time used to define the RX_DWELL_TIME time period.<br>$\text{Timer Tick Rate} = \frac{128 \times \text{PARMTIME\_DIVIDER}}{6.5 \text{ MHz}}$ A value of 0x33 gives a clock of 995.7 Hz or a period of 1.004 ms. |

Table 58. 0x108: SWM\_RSSI\_THRESH

| Bit   | Name            | R/W | Description  |
|-------|-----------------|-----|--|
| [7:0] | SWM_RSSI_THRESH | R/W | This sets the RSSI threshold when in smart wake mode with RSSI detection enabled.<br>$\text{Threshold (dBm)} = \text{SWM\_RSSI\_THRESH} - 107$ |

Table 59. 0x109: CHANNEL\_FREQ\_0

| Bit   | Name              | R/W | Description  |
|-------|-------------------|-----|--|
| [7:0] | CHANNEL_FREQ[7:0] | R/W | The RF channel frequency in hertz is set according to<br>$\text{Frequency (Hz)} = f_{\text{PFD}} \times \frac{(\text{CHANNEL\_FREQ}[23 : 0])}{2^{16}}$ where $f_{\text{PFD}}$ is the PFD frequency and is equal to 26 MHz. |

Table 60. 0x10A: CHANNEL\_FREQ\_1

| Bit   | Name               | R/W | Description                                     |
|-------|--------------------|-----|---|
| [7:0] | CHANNEL_FREQ[15:8] | R/W | See the CHANNEL_FREQ_0 description in Table 59. |

Table 61. 0x10B: CHANNEL\_FREQ\_2

| Bit   | Name                | R/W | Description                                     |
|-------|---------------------|-----|---|
| [7:0] | CHANNEL_FREQ[23:16] | R/W | See the CHANNEL_FREQ_0 description in Table 59. |

Table 62. 0x10C: RADIO\_CFG\_0

| Bit   | Name           | R/W | Description   |
|-------|----------------|-----|---|
| [7:0] | DATA_RATE[7:0] | R/W | The data rate in bps is set according to Data Rate (bps) = DATA_RATE[11:0] × 100. |

Table 63. 0x10D: RADIO\_CFG\_1

| Bit   | Name                 | R/W | Description   |
|-------|----------------------|-----|---|
| [7:4] | FREQ_DEVIATION[11:8] | R/W | See the FREQ_DEVIATION description in RADIO_CFG_2 (see Table 64). |
| [3:0] | DATA_RATE[11:8]      | R/W | See the DATA_RATE description in RADIO_CFG_0 (see Table 62).      |

Table 64. 0x10E: RADIO\_CFG\_2

| Bit   | Name                | R/W | Description   |
|-------|---------------------|-----|---|
| [7:0] | FREQ_DEVIATION[7:0] | R/W | The binary level 2FSK/GFSK/MSK/GMSK frequency deviation in hertz (defined as the frequency difference between carrier frequency and 1/0 tones) is set according to Frequency Deviation (Hz) = FREQ_DEVIATION[11:0] × 100. |

Table 65. 0x10F: RADIO\_CFG\_3

| Bit   | Name            | R/W | Description  |
|-------|-----------------|-----|--|
| [7:0] | DISCRIM_BW[7:0] | R/W | The DISCRIM_BW value sets the bandwidth of the correlator demodulator. See the 2FSK/GFSK/MSK/GMSK Demodulation section for the steps required to set the DISCRIM_BW value. |

Table 66. 0x110: RADIO\_CFG\_4

| Bit   | Name               | R/W | Description  |
|-------|--------------------|-----|--|
| [7:0] | POST_DEMOD_BW[7:0] | R/W | For optimum performance, the post-demodulator filter bandwidth should be set close to 0.75 times the data rate. The actual bandwidth of the post-demodulator filter is given by Post-Demodulator Filter Bandwidth (kHz) = POST_DEMOD_BW × 2. The range of POST_DEMOD_BW is 1 to 255. |

Table 67. 0x111: RADIO\_CFG\_5

| Bit   | Name     | R/W | Description  |
|-------|----------|-----|--------------|
| [7:0] | Reserved | R/W | Set to zero. |

Table 68. 0x112: RADIO\_CFG\_6

| Bit   | Name               | R/W | Description  |
|-------|--------------------|-----|--|
| [7:2] | SYNTH_LUT_CONFIG_0 | R/W | If SYNTH_LUT_CONTROL (Address 0x113, Table 69) = 0 or 2, set SYNTH_LUT_CONFIG_0 = 0. If SYNTH_LUT_CONTROL = 1 or 3, this setting allows the receiver PLL loop bandwidth to be changed to optimize the receiver local oscillator phase noise. |
| [1:0] | DISCRIM_PHASE[1:0] | R/W | The DISCRIM_PHASE value sets the phase of the correlator demodulator. See the 2FSK/GFSK/MSK/GMSK Demodulation section for the steps required to set the DISCRIM_PHASE value.   |

Table 69. 0x113: RADIO\_CFG\_7

| Bit               | Name  | R/W | Description   |                   |             |   |   |   |  |   |   |   |   |
|-------------------|---|-----|---|-------------------|-------------|---|---|---|--|---|---|---|---|
| [7:6]             | AGC_LOCK_MODE   | R/W | Set to:<br>0: free running<br>1: manual<br>2: hold<br>3: lock after preamble/sync word (only locks on a sync word if PREAMBLE_MATCH = 0)  |                   |             |   |   |   |  |   |   |   |   |
| [5:4]             | SYNTH_LUT_CONTROL   | R/W | By default, the synthesizer loop bandwidth is automatically selected from lookup tables (LUT) in ROM memory. A narrow bandwidth is selected in receive to ensure optimum interference rejection, whereas in transmit, the bandwidth is selected based on the data rate and modulation settings. For the majority of applications, these automatically selected PLL loop bandwidths are optimum. However, in some applications, it may be necessary to use custom transmit or receive bandwidths, in which case, various options exist, as follows.  |                   |             |   |   |   |  |   |   |   |   |
|                   |   |     | <table border="1"> <thead> <tr> <th>SYNTH_LUT_CONTROL</th> <th>Description</th> </tr> </thead> <tbody> <tr> <td>0</td> <td>Use predefined transmit and receive LUTs. The LUTs are automatically selected from ROM memory on transitioning into the PHY_TX or PHY_RX state.</td> </tr> <tr> <td>1</td> <td>Use custom receive LUT based on SYNTH_LUT_CONFIG_0 and SYNTH_LUT_CONFIG_1. In transmit, the predefined LUT in ROM is used.</td> </tr> <tr> <td>2</td> <td>Use a custom transmit LUT. The custom transmit LUT must be written to the 0x10 to 0x18 packet RAM locations. In receive, the predefined LUT in ROM is used.</td> </tr> <tr> <td>3</td> <td>Use a custom receive LUT based on SYNTH_LUT_CONFIG_0 and SYNTH_LUT_CONFIG_1, and use a custom transmit LUT. The custom transmit LUT must be written to the 0x10 to 0x18 packet RAM locations.</td> </tr> </tbody> </table> | SYNTH_LUT_CONTROL | Description | 0 | Use predefined transmit and receive LUTs. The LUTs are automatically selected from ROM memory on transitioning into the PHY_TX or PHY_RX state. | 1 | Use custom receive LUT based on SYNTH_LUT_CONFIG_0 and SYNTH_LUT_CONFIG_1. In transmit, the predefined LUT in ROM is used. | 2 | Use a custom transmit LUT. The custom transmit LUT must be written to the 0x10 to 0x18 packet RAM locations. In receive, the predefined LUT in ROM is used. | 3 | Use a custom receive LUT based on SYNTH_LUT_CONFIG_0 and SYNTH_LUT_CONFIG_1, and use a custom transmit LUT. The custom transmit LUT must be written to the 0x10 to 0x18 packet RAM locations. |
| SYNTH_LUT_CONTROL | Description   |     |   |                   |             |   |   |   |  |   |   |   |   |
| 0                 | Use predefined transmit and receive LUTs. The LUTs are automatically selected from ROM memory on transitioning into the PHY_TX or PHY_RX state.   |     |   |                   |             |   |   |   |  |   |   |   |   |
| 1                 | Use custom receive LUT based on SYNTH_LUT_CONFIG_0 and SYNTH_LUT_CONFIG_1. In transmit, the predefined LUT in ROM is used.  |     |   |                   |             |   |   |   |  |   |   |   |   |
| 2                 | Use a custom transmit LUT. The custom transmit LUT must be written to the 0x10 to 0x18 packet RAM locations. In receive, the predefined LUT in ROM is used.                                   |     |   |                   |             |   |   |   |  |   |   |   |   |
| 3                 | Use a custom receive LUT based on SYNTH_LUT_CONFIG_0 and SYNTH_LUT_CONFIG_1, and use a custom transmit LUT. The custom transmit LUT must be written to the 0x10 to 0x18 packet RAM locations. |     |   |                   |             |   |   |   |  |   |   |   |   |
|                   |   |     | Because packet RAM memory is lost in the PHY_SLEEP state, the custom LUT for transmit must be reloaded to packet RAM after waking from the PHY_SLEEP state.   |                   |             |   |   |   |  |   |   |   |   |
| [3:0]             | SYNTH_LUT_CONFIG_1  | R/W | If SYNTH_LUT_CONTROL = 0 or 2, set SYNTH_LUT_CONFIG_1 to 0. If SYNTH_LUT_CONTROL = 1 or 3, this setting allows the receiver PLL loop bandwidth to be changed to optimize the receiver local oscillator phase noise.   |                   |             |   |   |   |  |   |   |   |   |

Table 70. 0x114: RADIO\_CFG\_8

| Bit                | Name                    | R/W | Description   |                    |                         |   |                         |   |                         |   |            |      |      |    |            |
|--------------------|-------------------------|-----|---|--------------------|-------------------------|---|-------------------------|---|-------------------------|---|------------|------|------|----|------------|
| [7]                | PA_SINGLE_DIFF_SEL      | R/W | <table border="1"> <thead> <tr> <th>PA_SINGLE_DIFF_SEL</th> <th>PA</th> </tr> </thead> <tbody> <tr> <td>0</td> <td>Single-ended PA enabled</td> </tr> <tr> <td>1</td> <td>Differential PA enabled</td> </tr> </tbody> </table>  | PA_SINGLE_DIFF_SEL | PA                      | 0 | Single-ended PA enabled | 1 | Differential PA enabled |   |            |      |      |    |            |
| PA_SINGLE_DIFF_SEL | PA                      |     |   |                    |                         |   |                         |   |                         |   |            |      |      |    |            |
| 0                  | Single-ended PA enabled |     |   |                    |                         |   |                         |   |                         |   |            |      |      |    |            |
| 1                  | Differential PA enabled |     |   |                    |                         |   |                         |   |                         |   |            |      |      |    |            |
| [6:3]              | PA_LEVEL                | R/W | Sets the PA output power. A value of zero sets the minimum RF output power, and a value of 15 sets the maximum PA output power. The PA level can also be set with finer resolution using the PA_LEVEL_MCR setting (Address 0x307). The PA_LEVEL setting is related to the PA_LEVEL_MCR setting by $PA\_LEVEL\_MCR = 4 \times PA\_LEVEL + 3$ . |                    |                         |   |                         |   |                         |   |            |      |      |    |            |
|                    |                         |     | <table border="1"> <thead> <tr> <th>PA_LEVEL</th> <th>PA Level (PA_LEVEL_MCR)</th> </tr> </thead> <tbody> <tr> <td>0</td> <td>Setting 3</td> </tr> <tr> <td>1</td> <td>Setting 7</td> </tr> <tr> <td>2</td> <td>Setting 11</td> </tr> <tr> <td>....</td> <td>....</td> </tr> <tr> <td>15</td> <td>Setting 63</td> </tr> </tbody> </table>     | PA_LEVEL           | PA Level (PA_LEVEL_MCR) | 0 | Setting 3               | 1 | Setting 7               | 2 | Setting 11 | .... | .... | 15 | Setting 63 |
| PA_LEVEL           | PA Level (PA_LEVEL_MCR) |     |   |                    |                         |   |                         |   |                         |   |            |      |      |    |            |
| 0                  | Setting 3               |     |   |                    |                         |   |                         |   |                         |   |            |      |      |    |            |
| 1                  | Setting 7               |     |   |                    |                         |   |                         |   |                         |   |            |      |      |    |            |
| 2                  | Setting 11              |     |   |                    |                         |   |                         |   |                         |   |            |      |      |    |            |
| ....               | ....                    |     |   |                    |                         |   |                         |   |                         |   |            |      |      |    |            |
| 15                 | Setting 63              |     |   |                    |                         |   |                         |   |                         |   |            |      |      |    |            |

| Bit     | Name                   | R/W | Description   |         |           |   |          |   |                        |   |                        |   |                       |   |                       |   |                       |   |                      |   |                      |
|---------|------------------------|-----|---|---------|-----------|---|----------|---|------------------------|---|------------------------|---|-----------------------|---|-----------------------|---|-----------------------|---|----------------------|---|----------------------|
| [2:0]   | PA_RAMP                | R/W | Sets the PA ramp rate. The PA ramps at the programmed rate until it reaches the level indicated by the PA_LEVEL_MCR (Address 0x307) setting. The ramp rate is dependent on the programmed data rate.  |         |           |   |          |   |                        |   |                        |   |                       |   |                       |   |                       |   |                      |   |                      |
|         |                        |     | <table border="1"> <thead> <tr> <th>PA_RAMP</th> <th>Ramp Rate</th> </tr> </thead> <tbody> <tr> <td>0</td> <td>Reserved</td> </tr> <tr> <td>1</td> <td>256 codes per data bit</td> </tr> <tr> <td>2</td> <td>128 codes per data bit</td> </tr> <tr> <td>3</td> <td>64 codes per data bit</td> </tr> <tr> <td>4</td> <td>32 codes per data bit</td> </tr> <tr> <td>5</td> <td>16 codes per data bit</td> </tr> <tr> <td>6</td> <td>8 codes per data bit</td> </tr> <tr> <td>7</td> <td>4 codes per data bit</td> </tr> </tbody> </table> | PA_RAMP | Ramp Rate | 0 | Reserved | 1 | 256 codes per data bit | 2 | 128 codes per data bit | 3 | 64 codes per data bit | 4 | 32 codes per data bit | 5 | 16 codes per data bit | 6 | 8 codes per data bit | 7 | 4 codes per data bit |
| PA_RAMP | Ramp Rate              |     |   |         |           |   |          |   |                        |   |                        |   |                       |   |                       |   |                       |   |                      |   |                      |
| 0       | Reserved               |     |   |         |           |   |          |   |                        |   |                        |   |                       |   |                       |   |                       |   |                      |   |                      |
| 1       | 256 codes per data bit |     |   |         |           |   |          |   |                        |   |                        |   |                       |   |                       |   |                       |   |                      |   |                      |
| 2       | 128 codes per data bit |     |   |         |           |   |          |   |                        |   |                        |   |                       |   |                       |   |                       |   |                      |   |                      |
| 3       | 64 codes per data bit  |     |   |         |           |   |          |   |                        |   |                        |   |                       |   |                       |   |                       |   |                      |   |                      |
| 4       | 32 codes per data bit  |     |   |         |           |   |          |   |                        |   |                        |   |                       |   |                       |   |                       |   |                      |   |                      |
| 5       | 16 codes per data bit  |     |   |         |           |   |          |   |                        |   |                        |   |                       |   |                       |   |                       |   |                      |   |                      |
| 6       | 8 codes per data bit   |     |   |         |           |   |          |   |                        |   |                        |   |                       |   |                       |   |                       |   |                      |   |                      |
| 7       | 4 codes per data bit   |     |   |         |           |   |          |   |                        |   |                        |   |                       |   |                       |   |                       |   |                      |   |                      |
|         |                        |     | To ensure the correct PA ramp-up and ramp-down timing, the PA ramp rate has a minimum value based on the data rate and the PA_LEVEL or PA_LEVEL_MCR settings. This minimum value is described by $Ramp\ Rate(Codes/Bit) < 10000 \times \frac{PA\_LEVEL\_MCR[5:0]}{DATA\_RATE[11:0]}$<br>where PA_LEVEL_MCR is related to the PA_LEVEL setting by PA_LEVEL_MCR = 4 × PA_LEVEL + 3.   |         |           |   |          |   |                        |   |                        |   |                       |   |                       |   |                       |   |                      |   |                      |

Table 71. 0x115: RADIO\_CFG\_9

| Bit          | Name                | R/W | Description   |              |                     |   |                    |   |                     |   |          |        |              |        |          |
|--------------|---------------------|-----|---|--------------|---------------------|---|--------------------|---|---------------------|---|----------|--------|--------------|--------|----------|
| [7:6]        | IFBW                | R/W | Sets the receiver IF filter bandwidth. Note that setting an IF filter bandwidth of 300 kHz automatically changes the receiver IF frequency from 200 kHz to 300 kHz.   |              |                     |   |                    |   |                     |   |          |        |              |        |          |
|              |                     |     | <table border="1"> <thead> <tr> <th>IFBW</th> <th>IF Bandwidth (kHz)</th> </tr> </thead> <tbody> <tr> <td>0</td> <td>100</td> </tr> <tr> <td>1</td> <td>150</td> </tr> <tr> <td>2</td> <td>200</td> </tr> <tr> <td>3</td> <td>300</td> </tr> </tbody> </table>  | IFBW         | IF Bandwidth (kHz)  | 0 | 100                | 1 | 150                 | 2 | 200      | 3      | 300          |        |          |
| IFBW         | IF Bandwidth (kHz)  |     |   |              |                     |   |                    |   |                     |   |          |        |              |        |          |
| 0            | 100                 |     |   |              |                     |   |                    |   |                     |   |          |        |              |        |          |
| 1            | 150                 |     |   |              |                     |   |                    |   |                     |   |          |        |              |        |          |
| 2            | 200                 |     |   |              |                     |   |                    |   |                     |   |          |        |              |        |          |
| 3            | 300                 |     |   |              |                     |   |                    |   |                     |   |          |        |              |        |          |
| [5:3]        | MOD_SCHEME          | R/W | Sets the transmitter modulation scheme.   |              |                     |   |                    |   |                     |   |          |        |              |        |          |
|              |                     |     | <table border="1"> <thead> <tr> <th>MOD_SCHEME</th> <th>Modulation Scheme</th> </tr> </thead> <tbody> <tr> <td>0</td> <td>Two-level 2FSK/MSK</td> </tr> <tr> <td>1</td> <td>Two-level GFSK/GSMK</td> </tr> <tr> <td>2</td> <td>Reserved</td> </tr> <tr> <td>3</td> <td>Carrier only</td> </tr> <tr> <td>4 to 7</td> <td>Reserved</td> </tr> </tbody> </table> | MOD_SCHEME   | Modulation Scheme   | 0 | Two-level 2FSK/MSK | 1 | Two-level GFSK/GSMK | 2 | Reserved | 3      | Carrier only | 4 to 7 | Reserved |
| MOD_SCHEME   | Modulation Scheme   |     |   |              |                     |   |                    |   |                     |   |          |        |              |        |          |
| 0            | Two-level 2FSK/MSK  |     |   |              |                     |   |                    |   |                     |   |          |        |              |        |          |
| 1            | Two-level GFSK/GSMK |     |   |              |                     |   |                    |   |                     |   |          |        |              |        |          |
| 2            | Reserved            |     |   |              |                     |   |                    |   |                     |   |          |        |              |        |          |
| 3            | Carrier only        |     |   |              |                     |   |                    |   |                     |   |          |        |              |        |          |
| 4 to 7       | Reserved            |     |   |              |                     |   |                    |   |                     |   |          |        |              |        |          |
| [2:0]        | DEMOD_SCHEME        | R/W | Sets the receiver demodulation scheme.  |              |                     |   |                    |   |                     |   |          |        |              |        |          |
|              |                     |     | <table border="1"> <thead> <tr> <th>DEMOD_SCHEME</th> <th>Demodulation Scheme</th> </tr> </thead> <tbody> <tr> <td>0</td> <td>2FSK/GFSK/MSK/GMSK</td> </tr> <tr> <td>1</td> <td>Reserved</td> </tr> <tr> <td>2</td> <td>Reserved</td> </tr> <tr> <td>3 to 7</td> <td>Reserved</td> </tr> </tbody> </table>  | DEMOD_SCHEME | Demodulation Scheme | 0 | 2FSK/GFSK/MSK/GMSK | 1 | Reserved            | 2 | Reserved | 3 to 7 | Reserved     |        |          |
| DEMOD_SCHEME | Demodulation Scheme |     |   |              |                     |   |                    |   |                     |   |          |        |              |        |          |
| 0            | 2FSK/GFSK/MSK/GMSK  |     |   |              |                     |   |                    |   |                     |   |          |        |              |        |          |
| 1            | Reserved            |     |   |              |                     |   |                    |   |                     |   |          |        |              |        |          |
| 2            | Reserved            |     |   |              |                     |   |                    |   |                     |   |          |        |              |        |          |
| 3 to 7       | Reserved            |     |   |              |                     |   |                    |   |                     |   |          |        |              |        |          |

Table 72. 0x116: RADIO\_CFG\_10

| Bit           | Name   | R/W | Description   |               |      |   |                                    |   |                            |   |                          |   |  |
|---------------|--|-----|---|---------------|------|---|------------------------------------|---|----------------------------|---|--------------------------|---|--|
| [7:5]         | Reserved   | R/W | Set to 0.   |               |      |   |                                    |   |                            |   |                          |   |  |
| [4]           | AFC_POLARITY   | R/W | Set to 0.   |               |      |   |                                    |   |                            |   |                          |   |  |
| [3:2]         | AFC_SCHEME   | R/W | Set to 2.   |               |      |   |                                    |   |                            |   |                          |   |  |
| [1:0]         | AFC_LOCK_MODE  | R/W | Sets the AFC mode.  |               |      |   |                                    |   |                            |   |                          |   |  |
|               |  |     | <table border="1"> <thead> <tr> <th>AFC_LOCK_MODE</th> <th>Mode</th> </tr> </thead> <tbody> <tr> <td>0</td> <td>Free running: AFC is free running.</td> </tr> <tr> <td>1</td> <td>Disabled: AFC is disabled.</td> </tr> <tr> <td>2</td> <td>Hold AFC: AFC is paused.</td> </tr> <tr> <td>3</td> <td>Lock: AFC locks after the preamble or sync word (only locks on a sync word if PREAMBLE_MATCH = 0).</td> </tr> </tbody> </table> | AFC_LOCK_MODE | Mode | 0 | Free running: AFC is free running. | 1 | Disabled: AFC is disabled. | 2 | Hold AFC: AFC is paused. | 3 | Lock: AFC locks after the preamble or sync word (only locks on a sync word if PREAMBLE_MATCH = 0). |
| AFC_LOCK_MODE | Mode   |     |   |               |      |   |                                    |   |                            |   |                          |   |  |
| 0             | Free running: AFC is free running.   |     |   |               |      |   |                                    |   |                            |   |                          |   |  |
| 1             | Disabled: AFC is disabled.   |     |   |               |      |   |                                    |   |                            |   |                          |   |  |
| 2             | Hold AFC: AFC is paused.   |     |   |               |      |   |                                    |   |                            |   |                          |   |  |
| 3             | Lock: AFC locks after the preamble or sync word (only locks on a sync word if PREAMBLE_MATCH = 0). |     |   |               |      |   |                                    |   |                            |   |                          |   |  |

Table 73. 0x117: RADIO\_CFG\_11

| Bit    | Name              | R/W | Description  |        |                   |   |                |   |                |   |                |     |
|--------|-------------------|-----|--|--------|-------------------|---|----------------|---|----------------|---|----------------|-----|
| [7:4]  | AFC_KP            | R/W | Sets the AFC PI controller proportional gain in 2FSK/GFSK/MSK/GMSK; the recommended value is 0x3.  |        |                   |   |                |   |                |   |                |     |
|        |                   |     | <table border="1"> <thead> <tr> <th>AFC_KP</th> <th>Proportional Gain</th> </tr> </thead> <tbody> <tr> <td>0</td> <td>2<sup>0</sup></td> </tr> <tr> <td>1</td> <td>2<sup>1</sup></td> </tr> <tr> <td>2</td> <td>2<sup>2</sup></td> </tr> <tr> <td>...</td> <td>...</td> </tr> <tr> <td>15</td> <td>2<sup>15</sup></td> </tr> </tbody> </table> | AFC_KP | Proportional Gain | 0 | 2 <sup>0</sup> | 1 | 2 <sup>1</sup> | 2 | 2 <sup>2</sup> | ... |
| AFC_KP | Proportional Gain |     |  |        |                   |   |                |   |                |   |                |     |
| 0      | 2 <sup>0</sup>    |     |  |        |                   |   |                |   |                |   |                |     |
| 1      | 2 <sup>1</sup>    |     |  |        |                   |   |                |   |                |   |                |     |
| 2      | 2 <sup>2</sup>    |     |  |        |                   |   |                |   |                |   |                |     |
| ...    | ...               |     |  |        |                   |   |                |   |                |   |                |     |
| 15     | 2 <sup>15</sup>   |     |  |        |                   |   |                |   |                |   |                |     |
| [3:0]  | AFC_KI            | R/W | Sets the AFC PI controller integral gain in 2FSK/GFSK/MSK/GMSK; the recommended value is 0x7.  |        |                   |   |                |   |                |   |                |     |
|        |                   |     | <table border="1"> <thead> <tr> <th>AFC_KI</th> <th>Integral Gain</th> </tr> </thead> <tbody> <tr> <td>0</td> <td>2<sup>0</sup></td> </tr> <tr> <td>1</td> <td>2<sup>1</sup></td> </tr> <tr> <td>2</td> <td>2<sup>2</sup></td> </tr> <tr> <td>...</td> <td>...</td> </tr> <tr> <td>15</td> <td>2<sup>15</sup></td> </tr> </tbody> </table>     | AFC_KI | Integral Gain     | 0 | 2 <sup>0</sup> | 1 | 2 <sup>1</sup> | 2 | 2 <sup>2</sup> | ... |
| AFC_KI | Integral Gain     |     |  |        |                   |   |                |   |                |   |                |     |
| 0      | 2 <sup>0</sup>    |     |  |        |                   |   |                |   |                |   |                |     |
| 1      | 2 <sup>1</sup>    |     |  |        |                   |   |                |   |                |   |                |     |
| 2      | 2 <sup>2</sup>    |     |  |        |                   |   |                |   |                |   |                |     |
| ...    | ...               |     |  |        |                   |   |                |   |                |   |                |     |
| 15     | 2 <sup>15</sup>   |     |  |        |                   |   |                |   |                |   |                |     |

Table 74. 0x118: IMAGE\_REJECT\_CAL\_PHASE

| Bit   | Name                   | R/W | Description                   |
|-------|------------------------|-----|-------------------------------|
| [7]   | Reserved               | R/W | Set to 0                      |
| [6:0] | IMAGE_REJECT_CAL_PHASE | R/W | Sets the I/Q phase adjustment |

Table 75. 0x119: IMAGE\_REJECT\_CAL\_AMPLITUDE

| Bit   | Name                       | R/W | Description                       |
|-------|----------------------------|-----|-----------------------------------|
| [7]   | Reserved                   | R/W | Set to 0                          |
| [6:0] | IMAGE_REJECT_CAL_AMPLITUDE | R/W | Sets the I/Q amplitude adjustment |

Table 76. 0x11A: MODE\_CONTROL

| Bit | Name                     | R/W | Description   |
|-----|--------------------------|-----|---|
| [7] | SWM_EN                   | R/W | 1: smart wake mode enabled.<br>0: smart wake mode disabled.   |
| [6] | BB_CAL                   | R/W | 1: IF filter calibration enabled.<br>0: IF filter calibration disabled.<br>IF filter calibration is automatically performed on the transition from the PHY_OFF state to the PHY_ON state if this bit is set.  |
| [5] | SWM_RSSI_QUAL            | R/W | 1: RSSI qualify in low power mode enabled.<br>0: RSSI qualify in low power mode disabled.   |
| [4] | TX_TO_RX_AUTO_TURNAROUND | R/W | If TX_TO_RX_AUTO_TURNAROUND = 1, the device automatically transitions to the PHY_RX state at the end of a packet transmission, on the same RF channel frequency. If TX_TO_RX_AUTO_TURNAROUND = 0, this operation is disabled. TX_TO_RX_AUTO_TURNAROUND is only available in packet mode.    |
| [3] | RX_TO_TX_AUTO_TURNAROUND | R/W | If RX_TO_TX_AUTO_TURNAROUND = 1, the device automatically transitions to the PHY_TX state at the end of a valid packet reception, on the same RF channel frequency. If RX_TO_TX_AUTO_TURNAROUND = 0, this operation is disabled. RX_TO_TX_AUTO_TURNAROUND is only available in packet mode. |



| Bit | Name                          | R/W | Description  |
|-----|-------------------------------|-----|--|
| [2] | CUSTOM_TRX_SYNTH_LOCK_TIME_EN | R/W | 1: use the custom synthesizer lock time defined in Register 0x13E and Register 0x13F.<br>0: default synthesizer lock time.   |
| [1] | EXT_LNA_EN                    | R/W | 1: external LNA enable signal on ATB2 or ATB4 is enabled. The signal is logic high while the ADF7023-J is in the PHY_RX state and logic low while in any other nonsleep state.<br>0: external LNA enable signal on ATB2 or ATB4 is disabled. |
| [0] | EXT_PA_EN                     | R/W | 1: external PA enable signal on ATB1 or ATB3 is enabled. The signal is logic high while the ADF7023-J is in the PHY_TX state and logic low while in any other nonsleep state.<br>0: external PA enable signal on ATB1 or ATB3 is disabled.   |

Table 77. 0x11B: PREAMBLE\_MATCH

| Bit            | Name  | R/W | Description  |                |             |          |          |    |                  |    |  |    |   |   |   |   |  |        |                 |   |                             |
|----------------|---|-----|--|----------------|-------------|----------|----------|----|------------------|----|--|----|---|---|---|---|--|--------|-----------------|---|-----------------------------|
| [7:4]          | Reserved  | R/W | Set to 0   |                |             |          |          |    |                  |    |  |    |   |   |   |   |  |        |                 |   |                             |
| [3:0]          | PREAMBLE_MATCH                                    | R/W | <table border="1"> <thead> <tr> <th>PREAMBLE_MATCH</th> <th>Description</th> </tr> </thead> <tbody> <tr> <td>15 to 13</td> <td>Reserved</td> </tr> <tr> <td>12</td> <td>0 errors allowed</td> </tr> <tr> <td>11</td> <td>One erroneous bit pair allowed in 12 bit-pairs</td> </tr> <tr> <td>10</td> <td>Two erroneous bit pairs allowed in 12 bit-pairs</td> </tr> <tr> <td>9</td> <td>Three erroneous bit pairs allowed in 12 bit-pairs</td> </tr> <tr> <td>8</td> <td>Four erroneous bit pairs allowed in 12 bit-pairs</td> </tr> <tr> <td>7 to 1</td> <td>Not recommended</td> </tr> <tr> <td>0</td> <td>Preamble detection disabled</td> </tr> </tbody> </table> | PREAMBLE_MATCH | Description | 15 to 13 | Reserved | 12 | 0 errors allowed | 11 | One erroneous bit pair allowed in 12 bit-pairs | 10 | Two erroneous bit pairs allowed in 12 bit-pairs | 9 | Three erroneous bit pairs allowed in 12 bit-pairs | 8 | Four erroneous bit pairs allowed in 12 bit-pairs | 7 to 1 | Not recommended | 0 | Preamble detection disabled |
| PREAMBLE_MATCH | Description                                       |     |  |                |             |          |          |    |                  |    |  |    |   |   |   |   |  |        |                 |   |                             |
| 15 to 13       | Reserved  |     |  |                |             |          |          |    |                  |    |  |    |   |   |   |   |  |        |                 |   |                             |
| 12             | 0 errors allowed                                  |     |  |                |             |          |          |    |                  |    |  |    |   |   |   |   |  |        |                 |   |                             |
| 11             | One erroneous bit pair allowed in 12 bit-pairs    |     |  |                |             |          |          |    |                  |    |  |    |   |   |   |   |  |        |                 |   |                             |
| 10             | Two erroneous bit pairs allowed in 12 bit-pairs   |     |  |                |             |          |          |    |                  |    |  |    |   |   |   |   |  |        |                 |   |                             |
| 9              | Three erroneous bit pairs allowed in 12 bit-pairs |     |  |                |             |          |          |    |                  |    |  |    |   |   |   |   |  |        |                 |   |                             |
| 8              | Four erroneous bit pairs allowed in 12 bit-pairs  |     |  |                |             |          |          |    |                  |    |  |    |   |   |   |   |  |        |                 |   |                             |
| 7 to 1         | Not recommended                                   |     |  |                |             |          |          |    |                  |    |  |    |   |   |   |   |  |        |                 |   |                             |
| 0              | Preamble detection disabled                       |     |  |                |             |          |          |    |                  |    |  |    |   |   |   |   |  |        |                 |   |                             |

Table 78. 0x11C: SYMBOL\_MODE

| Bit           | Name   | R/W | Description   |               |             |   |  |   |                              |        |          |
|---------------|--|-----|---|---------------|-------------|---|--|---|------------------------------|--------|----------|
| [7]           | Reserved   | R/W | Set to 0  |               |             |   |  |   |                              |        |          |
| [6]           | MANCHESTER_ENC                                       | R/W | 1: Manchester encoding and decoding enabled<br>0: Manchester encoding and decoding disabled   |               |             |   |  |   |                              |        |          |
| [5]           | PROG_CRC_EN  | R/W | 1: programmable CRC selected<br>0: default CRC selected   |               |             |   |  |   |                              |        |          |
| [4]           | EIGHT_TEN_ENC  | R/W | 1: 8b/10b encoding and decoding enabled<br>0: 8b/10b encoding and decoding disabled   |               |             |   |  |   |                              |        |          |
| [3]           | DATA_WHITENING                                       | R/W | 1: data whitening and dewatering enabled<br>0: data whitening and dewatering disabled   |               |             |   |  |   |                              |        |          |
| [2:0]         | SYMBOL_LENGTH  | R/W | <table border="1"> <thead> <tr> <th>SYMBOL_LENGTH</th> <th>Description</th> </tr> </thead> <tbody> <tr> <td>0</td> <td>8-bit (recommended except when 8b/10b is being used)</td> </tr> <tr> <td>1</td> <td>10-bit (for 8b/10b encoding)</td> </tr> <tr> <td>2 to 7</td> <td>Reserved</td> </tr> </tbody> </table> | SYMBOL_LENGTH | Description | 0 | 8-bit (recommended except when 8b/10b is being used) | 1 | 10-bit (for 8b/10b encoding) | 2 to 7 | Reserved |
| SYMBOL_LENGTH | Description  |     |   |               |             |   |  |   |                              |        |          |
| 0             | 8-bit (recommended except when 8b/10b is being used) |     |   |               |             |   |  |   |                              |        |          |
| 1             | 10-bit (for 8b/10b encoding)                         |     |   |               |             |   |  |   |                              |        |          |
| 2 to 7        | Reserved   |     |   |               |             |   |  |   |                              |        |          |

Table 79. 0x11D: PREAMBLE\_LEN

| Bit   | Name         | R/W | Description  |
|-------|--------------|-----|--|
| [7:0] | PREAMBLE_LEN | R/W | Length of preamble in bytes. Example: a value of decimal 3 results in a preamble of 24 bits. |

Table 80. 0x11E: CRC\_POLY\_0

| Bit   | Name          | R/W | Description  |
|-------|---------------|-----|--|
| [7:0] | CRC_POLY[7:0] | R/W | Lower byte of CRC_POLY[15:0], which sets the CRC polynomial. See Table 81. |

Table 81. 0x11F: CRC\_POLY\_1

| Bit   | Name           | R/W | Description   |
|-------|----------------|-----|---|
| [7:0] | CRC_POLY[15:8] | R/W | Upper byte of CRC_POLY[15:0], which sets the CRC polynomial. See the Packet Mode section for more details on how to configure a CRC polynomial. |

Table 82. 0x120: SYNC\_CONTROL

| Bit   | Name                      | R/W | Description  |                            |
|-------|---------------------------|-----|--|----------------------------|
| [7:6] | SYNC_ERROR_TOL            | R/W | Sets the sync word error tolerance in bits.  |                            |
|       |                           |     | <b>SYNC_ERROR_TOL</b>  | <b>Bit Error Tolerance</b> |
|       |                           |     | 0  | 0 bit errors allowed.      |
|       |                           |     | 1  | One bit error allowed.     |
|       |                           |     | 2  | Two bit errors allowed.    |
| 3     | Three bit errors allowed. |     |  |                            |
| [5]   | Reserved                  | R/W | Set to 0.  |                            |
| [4:0] | SYNC_WORD_LENGTH          | R/W | Sets the sync word length in bits; 24 bits is the maximum. Note that the sync word matching length can be any value up to 24 bits, but the transmitted sync word pattern is a multiple of eight bits. Therefore, for nonbyte-length sync words, the transmitted sync pattern should be filled out with the preamble pattern. |                            |
|       |                           |     | <b>SYNC_WORD_LENGTH</b>  | <b>Length in Bits</b>      |
|       |                           |     | 0  | 0                          |
|       |                           |     | 1  | 1                          |
|       |                           |     | ...  | ...                        |
| 24    | 24                        |     |  |                            |

Table 83. 0x121: SYNC\_BYTE\_0

| Bit   | Name             | R/W | Description  |
|-------|------------------|-----|--|
| [7:0] | SYNC_BYTE[23:16] | R/W | Upper byte of the sync word pattern. The sync word pattern is transmitted most significant bit first starting with SYNC_BYTE_0. For nonbyte-length sync words, the remainder of the least significant byte should be stuffed with the preamble. If SYNC_WORD_LENGTH length is >16 bits, SYNC_BYTE_0, SYNC_BYTE_1, and SYNC_BYTE_2 are all transmitted for a total of 24 bits. If SYNC_WORD_LENGTH is between 8 and 15, SYNC_BYTE_1 and SYNC_BYTE_2 are transmitted. If SYNC_WORD_LENGTH is between 1 and 7, SYNC_BYTE_2 is transmitted for a total of eight bits. If the SYNC_WORD_LENGTH is 0, no sync bytes are transmitted. |

Table 84. 0x122: SYNC\_BYTE\_1

| Bit   | Name            | R/W | Description                          |
|-------|-----------------|-----|--------------------------------------|
| [7:0] | SYNC_BYTE[15:8] | R/W | Middle byte of the sync word pattern |

Table 85. 0x123: SYNC\_BYTE\_2

| Bit   | Name           | R/W | Description                         |
|-------|----------------|-----|-------------------------------------|
| [7:0] | SYNC_BYTE[7:0] | R/W | Lower byte of the sync word pattern |

Table 86. 0x124: TX\_BASE\_ADR

| Bit   | Name        | R/W | Description   |
|-------|-------------|-----|---|
| [7:0] | TX_BASE_ADR | R/W | Address in packet RAM of the transmit packet. This address indicates to the communications processor the location of the first byte of the transmit packet. |

Table 87. 0x125: RX\_BASE\_ADR

| Bit   | Name        | R/W | Description   |
|-------|-------------|-----|---|
| [7:0] | RX_BASE_ADR | R/W | Address in packet RAM of the receive packet. The communications processor writes any qualified received packet to packet RAM, starting at this memory location. |

Table 88. 0x126: PACKET\_LENGTH\_CONTROL

| Bit       | Name   | R/W | Description  |           |             |   |                      |   |   |   |  |   |         |
|-----------|--|-----|--|-----------|-------------|---|----------------------|---|---|---|--|---|---------|
| [7]       | DATA_BYTE  | R/W | Over-the-air arrangement of each transmitted packet RAM byte. A byte is transmitted either MSB or LSB first. The same setting should be used on the Tx and Rx sides of the link.<br>1: data byte MSB first.<br>0: data byte LSB first.   |           |             |   |                      |   |   |   |  |   |         |
| [6]       | PACKET_LEN   | R/W | 1: fixed packet length mode. Fixed packet length in Tx and Rx modes, given by PACKET_LENGTH_MAX.<br>0: variable packet length mode. In Rx mode, packet length is given by the first byte in packet RAM. In Tx mode, the packet length is given by PACKET_LENGTH_MAX.   |           |             |   |                      |   |   |   |  |   |         |
| [5]       | CRC_EN   | R/W | 1: append CRC in transmit mode. Check CRC in receive mode.<br>0: no CRC addition in transmit mode. No CRC check in receive mode.   |           |             |   |                      |   |   |   |  |   |         |
| [4:3]     | DATA_MODE  | R/W | Sets the <a href="#">ADF7023-J</a> to packet mode or sport mode for transmit and receive data.   |           |             |   |                      |   |   |   |  |   |         |
|           |  |     | <table border="1"> <thead> <tr> <th>DATA_MODE</th> <th>Description</th> </tr> </thead> <tbody> <tr> <td>0</td> <td>Packet mode enabled.</td> </tr> <tr> <td>1</td> <td>Sport mode enabled. GP4 interrupt enabled on preamble detection. Rx data enabled on preamble detection.</td> </tr> <tr> <td>2</td> <td>Sport mode enabled. GP4 interrupt enabled on sync word detection. Rx data enabled on preamble detection.</td> </tr> <tr> <td>3</td> <td>Unused.</td> </tr> </tbody> </table> | DATA_MODE | Description | 0 | Packet mode enabled. | 1 | Sport mode enabled. GP4 interrupt enabled on preamble detection. Rx data enabled on preamble detection. | 2 | Sport mode enabled. GP4 interrupt enabled on sync word detection. Rx data enabled on preamble detection. | 3 | Unused. |
| DATA_MODE | Description  |     |  |           |             |   |                      |   |   |   |  |   |         |
| 0         | Packet mode enabled.   |     |  |           |             |   |                      |   |   |   |  |   |         |
| 1         | Sport mode enabled. GP4 interrupt enabled on preamble detection. Rx data enabled on preamble detection.  |     |  |           |             |   |                      |   |   |   |  |   |         |
| 2         | Sport mode enabled. GP4 interrupt enabled on sync word detection. Rx data enabled on preamble detection. |     |  |           |             |   |                      |   |   |   |  |   |         |
| 3         | Unused.  |     |  |           |             |   |                      |   |   |   |  |   |         |
| [2:0]     | LENGTH_OFFSET  | R/W | Offset value in bytes that is added to the received packet length field value (in variable length packet mode) so that the communications processor knows the correct number of bytes to read. The communications processor calculates the actual received payload length as Rx Payload Length = Length + LENGTH_OFFSET – 4, where Length is the length field (the first byte in the received payload).  |           |             |   |                      |   |   |   |  |   |         |

Table 89. 0x127: PACKET\_LENGTH\_MAX

| Bit   | Name              | R/W | Description   |
|-------|-------------------|-----|---|
| [7:0] | PACKET_LENGTH_MAX | R/W | If variable packet length mode is used (PACKET_LENGTH_CONTROL = 0), PACKET_LENGTH_MAX sets the maximum receive packet length in bytes. If fixed packet length mode is used (PACKET_LENGTH_CONTROL = 1), PACKET_LENGTH_MAX sets the length of the fixed transmit and receive packet in bytes. Note that the packet length is defined as the number of bytes from the end of the sync word to the start of the CRC. It also does not include the LENGTH_OFFSET value. |

Table 90. 0x128: STATIC\_REG\_FIX

| Bit                    | Name           | R/W                            | Description  |                |      |             |                        |      |                                |       |      |               |       |      |                                |       |      |               |       |      |                                |       |      |                                |
|------------------------|----------------|--------------------------------|--|----------------|------|-------------|------------------------|------|--------------------------------|-------|------|---------------|-------|------|--------------------------------|-------|------|---------------|-------|------|--------------------------------|-------|------|--------------------------------|
| [7:0]                  | STATIC_REG_FIX | R/W                            | <p>The ADF7023-J has the ability to implement automatic static register fixes from BBRAM memory to MCR memory. This feature allows a maximum of nine MCR registers to be programmed via BBRAM memory. This feature is useful if MCR registers must be configured for optimum receiver performance in low power mode. The STATIC_REG_FIX value is an address pointer to any BBRAM memory address between 0x12A and 0x13D. For example, to point to BBRAM Address 0x12B, set STATIC_REG_FIX = 0x2B.</p> <ul style="list-style-type: none"> <li>If STATIC_REG_FIX = 0x00, then static register fixes are disabled.</li> <li>If STATIC_REG_FIX is nonzero, the communications processor looks for the MCR address and corresponding data at the BBRAM address beginning at STATIC_REG_FIX.</li> </ul> <p>Example: write 0x46 to MCR Register 0x35E and write 0x78 to MCR Register 0x35F. Set STATIC_REG_FIX = 0x2B.</p> <table border="1"> <thead> <tr> <th>BBRAM Register</th> <th>Data</th> <th>Description</th> </tr> </thead> <tbody> <tr> <td>0x128 (STATIC_REG_FIX)</td> <td>0x2B</td> <td>Pointer to BBRAM Address 0x12B</td> </tr> <tr> <td>0x12B</td> <td>0x5E</td> <td>MCR Address 1</td> </tr> <tr> <td>0x12C</td> <td>0x46</td> <td>Data to write to MCR Address 1</td> </tr> <tr> <td>0x12D</td> <td>0x5F</td> <td>MCR Address 2</td> </tr> <tr> <td>0x12E</td> <td>0x78</td> <td>Data to write to MCR Address 2</td> </tr> <tr> <td>0x12F</td> <td>0x00</td> <td>Ends static MCR register fixes</td> </tr> </tbody> </table> | BBRAM Register | Data | Description | 0x128 (STATIC_REG_FIX) | 0x2B | Pointer to BBRAM Address 0x12B | 0x12B | 0x5E | MCR Address 1 | 0x12C | 0x46 | Data to write to MCR Address 1 | 0x12D | 0x5F | MCR Address 2 | 0x12E | 0x78 | Data to write to MCR Address 2 | 0x12F | 0x00 | Ends static MCR register fixes |
| BBRAM Register         | Data           | Description                    |  |                |      |             |                        |      |                                |       |      |               |       |      |                                |       |      |               |       |      |                                |       |      |                                |
| 0x128 (STATIC_REG_FIX) | 0x2B           | Pointer to BBRAM Address 0x12B |  |                |      |             |                        |      |                                |       |      |               |       |      |                                |       |      |               |       |      |                                |       |      |                                |
| 0x12B                  | 0x5E           | MCR Address 1                  |  |                |      |             |                        |      |                                |       |      |               |       |      |                                |       |      |               |       |      |                                |       |      |                                |
| 0x12C                  | 0x46           | Data to write to MCR Address 1 |  |                |      |             |                        |      |                                |       |      |               |       |      |                                |       |      |               |       |      |                                |       |      |                                |
| 0x12D                  | 0x5F           | MCR Address 2                  |  |                |      |             |                        |      |                                |       |      |               |       |      |                                |       |      |               |       |      |                                |       |      |                                |
| 0x12E                  | 0x78           | Data to write to MCR Address 2 |  |                |      |             |                        |      |                                |       |      |               |       |      |                                |       |      |               |       |      |                                |       |      |                                |
| 0x12F                  | 0x00           | Ends static MCR register fixes |  |                |      |             |                        |      |                                |       |      |               |       |      |                                |       |      |               |       |      |                                |       |      |                                |

Table 91. 0x129: ADDRESS\_MATCH\_OFFSET

| Bit   | Name                 | R/W | Description   |
|-------|----------------------|-----|---|
| [7:0] | ADDRESS_MATCH_OFFSET | R/W | Location of first byte of address information in packet RAM |

Table 92. 0x12A: ADDRESS\_LENGTH

| Bit   | Name           | R/W | Description  |
|-------|----------------|-----|--|
| [7:0] | ADDRESS_LENGTH | R/W | Number of bytes in the first address field ( $N_{ADR_1}$ ). Set to zero if address matching is not being used. |

Table 93. 0x12B to 0x137: Address Matching (or Static Register Fix)

| Address | Bit   | R/W | Description   |
|---------|-------|-----|---|
| 0x12B   | [7:0] | R/W | Address 1 Match Byte 0.   |
| 0x12C   | [7:0] | R/W | Address 1 Mask Byte 0.  |
| 0x12D   | [7:0] | R/W | Address 1 Match Byte 1.   |
| 0x12E   | [7:0] | R/W | Address 1 Mask Byte 1.  |
| ...     |       |     | ...   |
|         | [7:0] | R/W | Address 1 Match Byte $N_{ADR_1}$ .  |
|         | [7:0] | R/W | Address 1 Mask Byte $N_{ADR_1}$ .   |
|         | [7:0] | R/W | 0x00 to end or number of bytes in the second address field ( $N_{ADR_2}$ ). |

Table 94. 0x138: RSSI\_WAIT\_TIME

| Bit   | Name           | R/W | Description  |
|-------|----------------|-----|--|
| [7:0] | RSSI_WAIT_TIME | R/W | <p>Settling time in <math>\mu</math>s before taking an RSSI measurement. A default value of 0xA7 should be used if taking an RSSI measurement in SWM, or if using CMD_GET_RSSI. This value may be reduced for other RSSI measurements.</p> |

Table 95. 0x139: TESTMODES

| Bit                   | Name   | R/W | Description   |                       |             |   |  |   |  |
|-----------------------|--|-----|---|-----------------------|-------------|---|--|---|--|
| [7]                   | EXT_PA_LNA_ATB_CONFIG  | R/W | <table border="1"> <thead> <tr> <th>EXT_PA_LNA_ATB_CONFIG</th> <th>Description</th> </tr> </thead> <tbody> <tr> <td>1</td> <td>External PA signal on ADCIN_ATB3 and external LNA signal on ATB4 (1.8 V logic outputs)</td> </tr> <tr> <td>0</td> <td>External PA signal on XOSC32KP_GP5_ATB1 and external LNA signal on XOSC32KN_ATB2 (V<sub>DD</sub> logic outputs)</td> </tr> </tbody> </table> <p>External PA/LNA must also be enabled in Register 0x11A</p> | EXT_PA_LNA_ATB_CONFIG | Description | 1 | External PA signal on ADCIN_ATB3 and external LNA signal on ATB4 (1.8 V logic outputs) | 0 | External PA signal on XOSC32KP_GP5_ATB1 and external LNA signal on XOSC32KN_ATB2 (V <sub>DD</sub> logic outputs) |
| EXT_PA_LNA_ATB_CONFIG | Description  |     |   |                       |             |   |  |   |  |
| 1                     | External PA signal on ADCIN_ATB3 and external LNA signal on ATB4 (1.8 V logic outputs)                           |     |   |                       |             |   |  |   |  |
| 0                     | External PA signal on XOSC32KP_GP5_ATB1 and external LNA signal on XOSC32KN_ATB2 (V <sub>DD</sub> logic outputs) |     |   |                       |             |   |  |   |  |
| [6:2]                 | Reserved   | R/W | Set to 0.   |                       |             |   |  |   |  |
| [1]                   | CONTINUOUS_TX  | R/W | 1: restart TX after transmitting a packet<br>0: normal end of TX  |                       |             |   |  |   |  |
| [0]                   | CONTINUOUS_RX  | R/W | 1: restart RX after receiving a packet<br>0: normal end of RX   |                       |             |   |  |   |  |

Table 96. 0x13A: TRANSITION\_CLOCK\_DIV

| Bit   | Name            | R/W | Description  |
|-------|-----------------|-----|--|
| [7:3] | Reserved        | R/W | Set to 0   |
| [2:0] | FAST_TRANSITION | R/W | 7: reserved<br>6: reserved<br>5: reserved<br>4: normal transition times.<br>3: reserved<br>2: reserved<br>1: fast transition times enabled<br>0: normal transition times |

Table 97. 0x13E: RX\_SYNTH\_LOCK\_TIME

| Bit   | Name               | R/W | Description  |
|-------|--------------------|-----|--|
| [7:0] | RX_SYNTH_LOCK_TIME | R/W | Allows the use of a custom synthesizer lock time counter in receive mode in conjunction with the CUSTOM_TRX_SYNTH_LOCK_TIME_EN setting in the MODE_CONTROL register. Applies after VCO calibration is complete. Each bit equates to a 2 $\mu$ s increment. |

Table 98. 0x13F: TX\_SYNTH\_LOCK\_TIME

| Bit   | Name               | R/W | Description   |
|-------|--------------------|-----|---|
| [7:0] | TX_SYNTH_LOCK_TIME | R/W | Allows the use of a custom synthesizer lock time counter in transmit mode in conjunction with the CUSTOM_TRX_SYNTH_LOCK_TIME_EN setting in the MODE_CONTROL register. Applies after VCO calibration is complete. Each bit equates to a 2 $\mu$ s increment. |

**MCR REGISTER DESCRIPTION**

The MCR register settings are not retained when the device enters the PHY\_SLEEP state.

**Table 99. 0x307: PA\_LEVEL\_MCR**

| Bit   | Name         | R/W | Reset | Description  |
|-------|--------------|-----|-------|--|
| [5:0] | PA_LEVEL_MCR | R/W | 0     | Power amplifier level. If PA ramp is enabled, the PA ramps to this target level. The PA level can be set in the 1 to 63 range. The PA level (with less resolution) can also be set via the BBRAM; therefore, the MCR setting should be used only if more resolution is required. |

**Table 100. 0x30C: WUC\_CONFIG\_HIGH**

| Bit                    | Name                              | R/W               | Reset | Description   |                        |                                   |                   |      |      |          |      |      |          |      |      |          |      |      |          |      |      |         |      |      |          |      |      |         |      |        |         |      |      |         |      |      |         |
|------------------------|-----------------------------------|-------------------|-------|---|------------------------|-----------------------------------|-------------------|------|------|----------|------|------|----------|------|------|----------|------|------|----------|------|------|---------|------|------|----------|------|------|---------|------|--------|---------|------|------|---------|------|------|---------|
| [7]                    | Reserved                          | W                 | 0     | Set to 0  |                        |                                   |                   |      |      |          |      |      |          |      |      |          |      |      |          |      |      |         |      |      |          |      |      |         |      |        |         |      |      |         |      |      |         |
| [6:3]                  | RCOSC_COARSE_CAL_VALUE            | W                 | 0     | <table border="1"> <thead> <tr> <th>RCOSC_COARSE_CAL_VALUE</th> <th>Change in RC Oscillator Frequency</th> <th>Coarse Tune State</th> </tr> </thead> <tbody> <tr><td>0000</td><td>+83%</td><td>State 10</td></tr> <tr><td>0001</td><td>+66%</td><td>State 9</td></tr> <tr><td>1000</td><td>+50%</td><td>State 8</td></tr> <tr><td>1001</td><td>+33%</td><td>State 7</td></tr> <tr><td>1100</td><td>+16%</td><td>State 6</td></tr> <tr><td>1101</td><td>0%</td><td>State 5</td></tr> <tr><td>1110</td><td>-16%</td><td>State 4</td></tr> <tr><td>1111</td><td>-33%</td><td>State 3</td></tr> <tr><td>0110</td><td>-50%</td><td>State 2</td></tr> <tr><td>0111</td><td>-66%</td><td>State 1</td></tr> </tbody> </table> | RCOSC_COARSE_CAL_VALUE | Change in RC Oscillator Frequency | Coarse Tune State | 0000 | +83% | State 10 | 0001 | +66% | State 9  | 1000 | +50% | State 8  | 1001 | +33% | State 7  | 1100 | +16% | State 6 | 1101 | 0%   | State 5  | 1110 | -16% | State 4 | 1111 | -33%   | State 3 | 0110 | -50% | State 2 | 0111 | -66% | State 1 |
| RCOSC_COARSE_CAL_VALUE | Change in RC Oscillator Frequency | Coarse Tune State |       |   |                        |                                   |                   |      |      |          |      |      |          |      |      |          |      |      |          |      |      |         |      |      |          |      |      |         |      |        |         |      |      |         |      |      |         |
| 0000                   | +83%                              | State 10          |       |   |                        |                                   |                   |      |      |          |      |      |          |      |      |          |      |      |          |      |      |         |      |      |          |      |      |         |      |        |         |      |      |         |      |      |         |
| 0001                   | +66%                              | State 9           |       |   |                        |                                   |                   |      |      |          |      |      |          |      |      |          |      |      |          |      |      |         |      |      |          |      |      |         |      |        |         |      |      |         |      |      |         |
| 1000                   | +50%                              | State 8           |       |   |                        |                                   |                   |      |      |          |      |      |          |      |      |          |      |      |          |      |      |         |      |      |          |      |      |         |      |        |         |      |      |         |      |      |         |
| 1001                   | +33%                              | State 7           |       |   |                        |                                   |                   |      |      |          |      |      |          |      |      |          |      |      |          |      |      |         |      |      |          |      |      |         |      |        |         |      |      |         |      |      |         |
| 1100                   | +16%                              | State 6           |       |   |                        |                                   |                   |      |      |          |      |      |          |      |      |          |      |      |          |      |      |         |      |      |          |      |      |         |      |        |         |      |      |         |      |      |         |
| 1101                   | 0%                                | State 5           |       |   |                        |                                   |                   |      |      |          |      |      |          |      |      |          |      |      |          |      |      |         |      |      |          |      |      |         |      |        |         |      |      |         |      |      |         |
| 1110                   | -16%                              | State 4           |       |   |                        |                                   |                   |      |      |          |      |      |          |      |      |          |      |      |          |      |      |         |      |      |          |      |      |         |      |        |         |      |      |         |      |      |         |
| 1111                   | -33%                              | State 3           |       |   |                        |                                   |                   |      |      |          |      |      |          |      |      |          |      |      |          |      |      |         |      |      |          |      |      |         |      |        |         |      |      |         |      |      |         |
| 0110                   | -50%                              | State 2           |       |   |                        |                                   |                   |      |      |          |      |      |          |      |      |          |      |      |          |      |      |         |      |      |          |      |      |         |      |        |         |      |      |         |      |      |         |
| 0111                   | -66%                              | State 1           |       |   |                        |                                   |                   |      |      |          |      |      |          |      |      |          |      |      |          |      |      |         |      |      |          |      |      |         |      |        |         |      |      |         |      |      |         |
| [2:0]                  | WUC_PRESCALER                     | W                 | 0     | <table border="1"> <thead> <tr> <th>WUC_PRESCALER</th> <th>32.768 kHz Divider</th> <th>Tick Period</th> </tr> </thead> <tbody> <tr><td>0</td><td>1</td><td>30.52 μs</td></tr> <tr><td>1</td><td>4</td><td>122.1 μs</td></tr> <tr><td>2</td><td>8</td><td>244.1 μs</td></tr> <tr><td>3</td><td>16</td><td>488.3 μs</td></tr> <tr><td>4</td><td>128</td><td>3.91 ms</td></tr> <tr><td>5</td><td>1024</td><td>31.25 ms</td></tr> <tr><td>6</td><td>81 2</td><td>250 ms</td></tr> <tr><td>7</td><td>65,536</td><td>2000 ms</td></tr> </tbody> </table>  | WUC_PRESCALER          | 32.768 kHz Divider                | Tick Period       | 0    | 1    | 30.52 μs | 1    | 4    | 122.1 μs | 2    | 8    | 244.1 μs | 3    | 16   | 488.3 μs | 4    | 128  | 3.91 ms | 5    | 1024 | 31.25 ms | 6    | 81 2 | 250 ms  | 7    | 65,536 | 2000 ms |      |      |         |      |      |         |
| WUC_PRESCALER          | 32.768 kHz Divider                | Tick Period       |       |   |                        |                                   |                   |      |      |          |      |      |          |      |      |          |      |      |          |      |      |         |      |      |          |      |      |         |      |        |         |      |      |         |      |      |         |
| 0                      | 1                                 | 30.52 μs          |       |   |                        |                                   |                   |      |      |          |      |      |          |      |      |          |      |      |          |      |      |         |      |      |          |      |      |         |      |        |         |      |      |         |      |      |         |
| 1                      | 4                                 | 122.1 μs          |       |   |                        |                                   |                   |      |      |          |      |      |          |      |      |          |      |      |          |      |      |         |      |      |          |      |      |         |      |        |         |      |      |         |      |      |         |
| 2                      | 8                                 | 244.1 μs          |       |   |                        |                                   |                   |      |      |          |      |      |          |      |      |          |      |      |          |      |      |         |      |      |          |      |      |         |      |        |         |      |      |         |      |      |         |
| 3                      | 16                                | 488.3 μs          |       |   |                        |                                   |                   |      |      |          |      |      |          |      |      |          |      |      |          |      |      |         |      |      |          |      |      |         |      |        |         |      |      |         |      |      |         |
| 4                      | 128                               | 3.91 ms           |       |   |                        |                                   |                   |      |      |          |      |      |          |      |      |          |      |      |          |      |      |         |      |      |          |      |      |         |      |        |         |      |      |         |      |      |         |
| 5                      | 1024                              | 31.25 ms          |       |   |                        |                                   |                   |      |      |          |      |      |          |      |      |          |      |      |          |      |      |         |      |      |          |      |      |         |      |        |         |      |      |         |      |      |         |
| 6                      | 81 2                              | 250 ms            |       |   |                        |                                   |                   |      |      |          |      |      |          |      |      |          |      |      |          |      |      |         |      |      |          |      |      |         |      |        |         |      |      |         |      |      |         |
| 7                      | 65,536                            | 2000 ms           |       |   |                        |                                   |                   |      |      |          |      |      |          |      |      |          |      |      |          |      |      |         |      |      |          |      |      |         |      |        |         |      |      |         |      |      |         |

Register WUC\_CONFIG\_LOW should never be written to without updating Register WUC\_CONFIG\_HIGH first.

**Table 101. 0x30D: WUC\_CONFIG\_LOW**

| Bit   | Name           | R/W | Reset | Description   |
|-------|----------------|-----|-------|---|
| [7]   | Reserved       | W   | 0     | Set to 0  |
| [6]   | WUC_RCOSC_EN   | W   | 0     | 1: enable RCOSC32K<br>0: disable RCOSC32K   |
| [5]   | WUC_XOSC32K_EN | W   | 0     | 1: enable XOSC32K<br>0: disable XOSC32K   |
| [4]   | WUC_CLKSEL     | W   | 0     | Select the WUC timer clock source<br>1: RC 32.768 kHz oscillator<br>0: external crystal oscillator                  |
| [3]   | WUC_BBRAM_EN   | W   | 0     | 1: enable power to the BBRAM during the PHY_SLEEP state<br>0: disable power to the BBRAM during the PHY_SLEEP state |
| [2:1] | Reserved       | W   | 0     | Set to 0  |
| [0]   | WUC_ARM        | W   | 0     | 1: enable wake-up on a WUC timeout event<br>0: disable wake-up on a WUC timeout event                               |

Updates to Register WUC\_VALUE\_HIGH become effective only after Register WUC\_VALUE\_LOW is written to.

Table 102. 0x30E: WUC\_VALUE\_HIGH

| Bit   | Name                  | R/W | Reset | Description  |
|-------|-----------------------|-----|-------|--|
| [7:0] | WUC_TIMER_VALUE[15:8] | W   | 0     | WUC timer reload value, Bits[15:8] of [15:0]. A wake-up event is triggered when the WUC unit is enabled and the timer has counted down to 0. The timer is clocked with the prescaler output rate. An update to this register becomes effective only after WUC_VALUE_LOW is written. See Table 103. |

Register WUC\_VALUE\_LOW should never be written to without updating register WUC\_VALUE\_HIGH first.

Table 103. 0x30F: WUC\_VALUE\_LOW

| Bit   | Name                 | R/W | Reset | Description   |
|-------|----------------------|-----|-------|---|
| [7:0] | WUC_TIMER_VALUE[7:0] | W   | 0     | WUC timer reload value, Bits[7:0] of [15:0]. A wake-up event is triggered when the WUC unit is enabled and the timer has counted down to 0. The timer is clocked with the prescaler output rate. See Table 104. |

Table 104. 0x310: WUC\_FLAG\_RESET

| Bit | Name             | R/W | Reset | Description   |
|-----|------------------|-----|-------|---|
| [1] | WUC_RCOSC_CAL_EN | R/W | 0     | 1: enable<br>0: disable RCOSC32K calibration  |
| [0] | WUC_FLAG_RESET   | R/W |       | 1: reset the WUC_TMR_PRIM_TOFLAG and WUC_PORFLAG bits (Address 0x311, see Table 105)<br>0: normal operation |

Table 105. 0x311: WUC\_STATUS

| Bit | Name                 | R/W | Reset | Description  |
|-----|----------------------|-----|-------|--|
| [7] | Reserved             | R   | 0     | Reserved   |
| [6] | WUC_RCOSC_CAL_ERROR  | R   | 0     | 1: RCOSC32K calibration exited with error<br>0: without error (only valid if WUC_RCOSC_CAL_EN = 1)                 |
| [5] | WUC_RCOSC_CAL_READY  | R   | 0     | 1: RCOSC32K calibration finished<br>0: in progress (only valid if WUC_RCOSC_CAL_EN = 1)                            |
| [4] | XOSC32K_RDY          | R   | 0     | 1: XOSC32K oscillator has settled<br>0: not settled (only valid if WUC_XOSC32K_EN = 1)                             |
| [3] | XOSC32K_OUT          | R   | 0     | Output signal of the XOSC32K oscillator (instantaneous)  |
| [2] | WUC_PORFLAG          | R   | 0     | 1: chip cold start event has been registered<br>0: not registered  |
| [1] | WUC_TMR_PRIM_TOFLAG  | R   | 0     | 1: WUC timeout event has been registered<br>0: not registered (the output of a latch triggered by a timeout event) |
| [0] | WUC_TMR_PRIM_TOEVENT | R   | 0     | 1: WUC timeout event is present<br>0: not present (this bit is set when the counter reaches 0; it is not latched)  |

Table 106. 0x312: RSSI\_READBACK

| Bit   | Name          | R/W | Reset | Description   |
|-------|---------------|-----|-------|---|
| [7:0] | RSSI_READBACK | R   | 0     | Receive input power. After reception of a packet, the RSSI_READBACK value is valid. RSSI (dBm) = RSSI_READBACK – 107. |

Table 107. 0x315: MAX\_AFC\_RANGE

| Bit   | Name          | R/W | Reset | Description   |
|-------|---------------|-----|-------|---|
| [7:0] | MAX_AFC_RANGE | R/W | 50    | Limits the AFC pull-in range. Automatically set by the communications processor on transitioning into the PHY_RX state. The range is set equal to half the IF bandwidth. Example: IF bandwidth = 200 kHz, AFC pull-in range = ±100 kHz (MAX_AFC_RANGE = 100). |

Table 108. 0x319: IMAGE\_REJECT\_CAL\_CONFIG

| Bit   | Name                      | R/W | Reset | Description   |
|-------|---------------------------|-----|-------|---|
| [7:6] | Reserved                  | R/W | 0     |   |
| [5]   | IMAGE_REJECT_CAL_OVWRT_EN | R/W | 0     | Override control for image reject calibration results.  |
| [4:3] | IMAGE_REJECT_FREQUENCY    | R/W | 0     | Set the fundamental frequency of the IR calibration signal source. A harmonic of this frequency can be used as an internal RF signal source for the image rejection calibration.<br>0: IR calibration source disabled in XTAL divider<br>1: IR calibration source fundamental frequency = XTAL/4<br>2: IR calibration source fundamental frequency = XTAL/8<br>3: IR calibration source fundamental frequency = XTAL/16 |
| [2:0] | IMAGE_REJECT_POWER        | R/W | 0     | Set power level of IR calibration source.<br>0: IR calibration source disabled at mixer input<br>1: power level = min<br>2: power level = min<br>3: power level = min × 2<br>4: power level = min × 2<br>5: power level = min × 3<br>6: power level = min × 3<br>7: power level = min × 4   |

Table 109. 0x322: CHIP\_SHUTDOWN

| Bit   | Name           | R/W | Reset | Description   |
|-------|----------------|-----|-------|---|
| [7:1] | Reserved       | R/W | 0     |   |
| [0]   | CHIP_SHTDN_REQ | R/W | 0     | WUC chip-state control flag<br>0: remain in active state<br>1: invoke chip shutdown. $\overline{CS}$ must also be high to initiate a shutdown |

Table 110. 0x324: POWERDOWN\_RX

| Bit   | Name          | R/W | Reset | Description                                   |
|-------|---------------|-----|-------|---|
| [7:5] | Reserved      | R/W | 0     |   |
| [4]   | ADC_PD_N      | R/W | 0     | 1: ADC enabled<br>0: ADC disabled             |
| [3]   | RSSI_PD_N     | R/W | 0     | 1: RSSI enabled<br>0: RSSI disabled           |
| [2]   | RXBBFILT_PD_N | R/W | 0     | 1: IF filter enabled<br>0: IF filter disabled |
| [1]   | RXMIXER_PD_N  | R/W | 0     | 1: mixer enabled<br>0: mixer disabled         |
| [0]   | LNA_PD_N      | R/W | 0     | 1: LNA enabled<br>0: LNA disabled             |

Table 111. 0x325: POWERDOWN\_AUX

| Bit   | Name          | R/W | Reset | Description                                 |
|-------|---------------|-----|-------|---|
| [7:2] | Reserved      | R/W | 0     |   |
| [1]   | TEMPMON_PD_EN | R/W | 0     | 1: enable<br>0: disable temperature monitor |
| [0]   | BATTMON_PD_EN | R/W | 0     | 1: enable<br>0: disable battery monitor     |

Table 112. 0x327: ADC\_READBACK\_HIGH

| Bit   | Name              | R/W | Reset | Description          |
|-------|-------------------|-----|-------|----------------------|
| [7:6] | Reserved          | R   | 0     |                      |
| [5:0] | ADC_READBACK[7:2] | R   | 0     | ADC readback of MSBs |



Table 113. 0x328: ADC\_READBACK\_LOW

| Bit   | Name              | R/W | Reset | Description          |
|-------|-------------------|-----|-------|----------------------|
| [7:6] | ADC_READBACK[1:0] | R   | 0     | ADC readback of LSBs |
| [5:0] | Reserved          | R   | 0     |                      |

Table 114. 0x32D: BATTERY\_MONITOR\_THRESHOLD\_VOLTAGE

| Bit   | Name            | R/W | Reset | Description  |
|-------|-----------------|-----|-------|--|
| [7:5] | Reserved        | R/W | 0     |  |
| [4:0] | BATTMON_VOLTAGE | R/W | 0     | The battery monitor threshold voltage sets the alarm level for the battery monitor. The alarm is raised by the interrupt. Battery monitor trip voltage, $V_{TRIP} = 1.7 V + 62 mV \times BATTMON\_VOLTAGE$ . |

Table 115. 0x32E: EXT\_UC\_CLK\_DIVIDE

| Bit   | Name              | R/W | Reset | Description   |
|-------|-------------------|-----|-------|---|
| [7:4] | Reserved          | R/W | 0     |   |
| [3:0] | EXT_UC_CLK_DIVIDE | R/W | 4     | Optional output clock frequency on XOSC32KP_GP5_ATB1. Output frequency = XTAL/EXT_UC_CLK_DIVIDE. To disable, set EXT_UC_CLK_DIVIDE = 0. |

Table 116. 0x32F: AGC\_CLK\_DIVIDE

| Bit   | Name             | R/W | Reset | Description  |
|-------|------------------|-----|-------|--|
| [7:0] | AGC_CLOCK_DIVIDE | R/W | 40    | AGC clock divider for 2FSK/GFSK/MSK/GMSK mode. The AGC rate is $(26 MHz / (16 \times AGC\_CLK\_DIVIDE))$ . |

Table 117. 0x336: INTERRUPT\_SOURCE\_0

| Bit | Name                      | R/W | Reset | Description   |
|-----|---------------------------|-----|-------|---|
| [7] | INTERRUPT_NUM_WAKEUPS     | R/W | 0     | Asserted when the number of WUC wake-ups (NUMBER_OF_WAKEUPS[15:0]) has reached the threshold (NUMBER_OF_WAKEUPS_IRQ_THRESHOLD[15:0])  |
| [6] | INTERRUPT_SWM_RSSI_DET    | R/W | 0     | Asserted when the measured RSSI during smart wake mode has exceeded the RSSI threshold value (SWM_RSSI_THRESH, Address 0x108)   |
| [5] | INTERRUPT_AES_DONE        | R/W | 0     | Asserted when an AES encryption or decryption command is complete; available only when the AES firmware module has been loaded to the <a href="#">ADF7023-J</a> program RAM |
| [4] | INTERRUPT_TX_EOF          | R/W | 0     | Asserted when a packet has finished transmitting (packet mode only)   |
| [3] | INTERRUPT_ADDRESS_MATCH   | R/W | 0     | Asserted when a received packet has a valid address match (packet mode only)  |
| [2] | INTERRUPT_CRC_CORRECT     | R/W | 0     | Asserted when a received packet has the correct CRC (packet mode only)  |
| [1] | INTERRUPT_SYNC_DETECT     | R/W | 0     | Asserted when a qualified sync word has been detected in the received packet  |
| [0] | INTERRUPT_PREAMBLE_DETECT | R/W | 0     | Asserted when a qualified preamble has been detected in the received packet   |

Table 118. 0x337: INTERRUPT\_SOURCE\_1

| Bit | Name          | R/W | Reset | Description  |
|-----|---------------|-----|-------|--|
| [7] | BATTERY_ALARM | R/W | 0     | Battery voltage dropped below the user-set threshold value |
| [6] | CMD_READY     | R/W | 0     | Communications processor ready to accept a new command     |
| [5] | Unused        | R/W | 0     |  |
| [4] | WUC_TIMEOUT   | R/W | 0     | Wake-up timer has timed out                                |
| [3] | Unused        | R/W | 0     |  |
| [2] | Unused        | R/W | 0     |  |
| [1] | SPI_READY     | R/W | 0     | SPI ready for access                                       |
| [0] | CMD_FINISHED  | R/W | 0     | Command has finished                                       |

Table 119. 0x338: CALIBRATION\_CONTROL

| Bit   | Name         | R/W | Reset | Description   |
|-------|--------------|-----|-------|---|
| [7:2] | Reserved     | R/W | 0     |   |
| [1]   | SYNTH_CAL_EN | R/W | 0     | 1: enable the synthesizer calibration state machine<br>0: disable the synthesizer calibration state machine     |
| [0]   | RXBB_CAL_EN  | R/W | 0     | 1: enable receiver baseband filter (RXBB) calibration<br>0: disable receiver baseband filter (RXBB) calibration |

Table 120. 0x339: CALIBRATION\_STATUS

| Bit   | Name             | R/W | Reset | Description  |
|-------|------------------|-----|-------|--|
| [7:3] | Reserved         | R   | 0     |  |
| [2]   | PA_RAMP_FINISHED | R   | 0     |  |
| [1]   | SYNTH_CAL_READY  | R   | 0     | 1: synthesizer calibration finished successfully<br>0: synthesizer calibration in progress   |
| [0]   | RXBB_CAL_READY   | R   | 0     | Receive IF filter calibration<br>1: complete<br>0: in progress (valid while RXBB_CAL_EN = 1) |

Table 121. 0x345: RXBB\_CAL\_CALWRD\_READBACK

| Bit   | Name            | R/W | Reset | Description  |
|-------|-----------------|-----|-------|--|
| [5:0] | RXBB_CAL_CALWRD | R   | 0     | RXBB reference oscillator calibration word; valid after RXBB calibration cycle has been completed. |

Table 122. 0x346: RXBB\_CAL\_CALWRD\_OVERWRITE

| Bit   | Name                      | R/W | Reset | Description   |
|-------|---------------------------|-----|-------|---|
| [6:1] | RXBB_CAL_DCALWRD_OVWRT_IN | RW  | 0     | RXBB reference oscillator calibration overwrite word  |
| [0]   | RXBB_CAL_DCALWRD_OVWRT_EN | RW  | 0     | 1: enable RXBB reference oscillator calibration word overwrite mode<br>0: disable RXBB reference oscillator calibration word overwrite mode |

Table 123. 0x34F: RCOSC\_CAL\_READBACK\_HIGH

| Bit   | Name                      | R/W | Reset | Description                                      |
|-------|---------------------------|-----|-------|--|
| [7:0] | RCOSC_CAL_READBACK [15:8] | R   | 0x0   | Fine RC oscillator calibration result Bits[15:8] |

Table 124. 0x350: RCOSC\_CAL\_READBACK\_LOW

| Bit   | Name                     | R/W | Reset | Description                                     |
|-------|--------------------------|-----|-------|---|
| [7:0] | RCOSC_CAL_READBACK [7:0] | R   | 0x0   | Fine RC oscillator calibration result Bits[7:0] |

Table 125. 0x359: ADC\_CONFIG\_LOW

| Bit   | Name                  | R/W | Reset | Description  |
|-------|-----------------------|-----|-------|--|
| [7:4] | Reserved              | R/W | 0     | Set to 0   |
| [3:2] | ADC_REF_CHSEL         | R/W | 0     | 0: RSSI (default)<br>1: external AIN<br>2: temperature sensor<br>3: unused   |
| [1:0] | ADC_REFERENCE_CONTROL | R/W | 0     | The following reference values are valid for a 3 V supply:<br>0: 1.85 V (default)<br>1: 1.95 V<br>2: 1.75 V<br>3: 1.65 V |

Table 126. 0x35A: ADC\_CONFIG\_HIGH

| Bit   | Name              | R/W | Reset | Description  |
|-------|-------------------|-----|-------|--|
| [7]   | Reserved          | R/W | 0     |  |
| [6:5] | FILTERED_ADC_MODE | R/W | 0     | Filtering modes<br>00: normal operation (no filter)<br>01: unfiltered AGC loop, filtered readback (updated upon MCR read)<br>10: unfiltered AGC loop, filtered readback (update at AGC clock rate)<br>11: filtered AGC loop, filtered readback |
| [4]   | ADC_EXT_REF_ENB   | R/W | 1     | Bring low to power down the ADC reference  |
| [3:0] | Reserved          | R/W | 1     | Set to 1   |

Table 127. 0x35C: AGC\_CONFIG

| Bit   | Name                     | R/W | Reset | Description                       |
|-------|--------------------------|-----|-------|-----------------------------------|
| [7:6] | LNA_GAIN_CHANGE_ORDER    | R/W | 2     | LNA gain change order             |
| [5:4] | MIXER_GAIN_CHANGE_ORDER  | R/W | 1     | Mixer gain change order           |
| [3:2] | FILTER_GAIN_CHANGE_ORDER | R/W | 3     | Filter gain change order          |
| [1]   | ALLOW_EXTRA_LO_LNA_GAIN  | R/W | 0     | Allow extra low LNA gain setting  |
| [0]   | DISALLOW_MAX_GAIN        | R/W | 0     | Disallow maximum AGC gain setting |

Table 128. 0x35D: AGC\_MODE

| Bit   | Name              | R/W | Reset | Description   |
|-------|-------------------|-----|-------|---|
| [7]   | Reserved          | R/W | 0     |   |
| [6:5] | AGC_OPERATION_MCR | R/W | 0     | 0: free-running AGC<br>1: manual AGC<br>2: hold AGC<br>3: lock AGC after preamble |
| [4:3] | LNA_GAIN          | R/W | 0     | 0: low<br>1: medium<br>2: high<br>3: reserved                                     |
| [2]   | MIXER_GAIN        | R/W | 0     | 0: low<br>1: high   |
| [1:0] | FILTER_GAIN       | R/W | 0     | 0: low<br>1: medium<br>2: high<br>3: reserved                                     |

Table 129. 0x35E: AGC\_LOW\_THRESHOLD

| Bit   | Name              | R/W | Reset | Description       |
|-------|-------------------|-----|-------|-------------------|
| [7:0] | AGC_LOW_THRESHOLD | R/W | 55    | AGC low threshold |

Table 130. 0x35F: AGC\_HIGH\_THRESHOLD

| Bit   | Name               | R/W | Reset | Description        |
|-------|--------------------|-----|-------|--------------------|
| [7:0] | AGC_HIGH_THRESHOLD | R/W | 105   | AGC high threshold |

Table 131. 0x360: AGC\_GAIN\_STATUS

| Bit   | Name                 | R/W | Reset | Description                                   |
|-------|----------------------|-----|-------|---|
| [7:5] | Reserved             | R   | 0     |   |
| [4:3] | LNA_GAIN_READBACK    | R   | 0     | 0: low<br>1: medium<br>2: high<br>3: reserved |
| [2]   | MIXER_GAIN_READBACK  | R   | 0     | 0: low<br>1: high                             |
| [1:0] | FILTER_GAIN_READBACK | R   | 0     | 0: low<br>1: medium<br>2: high<br>3: reserved |

Table 132. 0x372: FREQUENCY\_ERROR\_READBACK

| Bit   | Name                     | R/W | Reset | Description  |
|-------|--------------------------|-----|-------|--|
| [7:0] | FREQUENCY_ERROR_READBACK | R   | 0     | Frequency error between received signal frequency and receive channel frequency = FREQUENCY_ERROR_READBACK × 1 kHz. The FREQUENCY_ERROR_READBACK value is in twos complement format. |

Table 133. 0x3CB: VCO\_BAND\_OVRW\_VAL

| Bit   | Name              | R/W | Reset | Description   |
|-------|-------------------|-----|-------|---|
| [7:0] | VCO_BAND_OVRW_VAL | R/W | 0     | Overwrite value for the VCO frequency band; active when VCO_BAND_OVRW_EN = 1. |

Table 134. 0x3CC: VCO\_AMPL\_OVRW\_VAL

| Bit   | Name              | R/W | Reset | Description   |
|-------|-------------------|-----|-------|---|
| [7:0] | VCO_AMPL_OVRW_VAL | R/W | 0     | Overwrite value for the VCO bias current DAC; active when VCO_AMPL_OVRW_EN = 1. |

Table 135. 0x3CD: VCO\_OVRW\_EN

| Bit   | Name             | R/W | Reset | Description   |
|-------|------------------|-----|-------|---|
| [7:6] | Reserved         | R/W | 0     | Reserved.   |
| [5:2] | VCO_Q_AMP_REF    | R/W | 0     | VCO amplitude level control reference DAC during Q phase                              |
| [1]   | VCO_AMPL_OVRW_EN | R/W | 0     | 1: enable VCO bias current DAC overwrite<br>0: disable VCO bias current DAC overwrite |
| [0]   | VCO_BAND_OVRW_EN | R/W | 0     | 1: enable VCO frequency band overwrite<br>0: disable VCO frequency band overwrite     |

Table 136. 0x3D0: VCO\_CAL\_CFG

| Bit   | Name        | R/W | Reset | Description   |
|-------|-------------|-----|-------|---|
| [7:4] | Reserved    | R/W | 0     | Reserved.   |
| [3:0] | VCO_CAL_CFG | R/W | 1     | VCO calibration state machine configuration. Set VCO_CAL_CFG = 0xF to bypass VCO calibration on the PHY_TX and PHY_RX transitions. Set VCO_CAL_CFG = 0x1 to enable the VCO calibrations on the transitions. |

Table 137. 0x3D2: OSC\_CONFIG

| Bit   | Name         | R/W | Reset | Description   |
|-------|--------------|-----|-------|---|
| [7:6] | Reserved     | R/W | 0     | Write 0   |
| [5:3] | XOSC_CAP_DAC | R/W | 4     | 26 MHz crystal oscillator (XOSC26N) tuning capacitor control word |
| [2:0] | Reserved     | R/W | 0     | Write 0   |

Table 138. 0x3DA: VCO\_BAND\_READBACK

| Bit   | Name              | R/W | Reset | Description  |
|-------|-------------------|-----|-------|--|
| [7:0] | VCO_BAND_READBACK | R   | 0     | Readback of the VCO bias current DAC after calibration |

Table 139. 0x3DB: VCO\_AMPL\_READBACK

| Bit   | Name              | R/W | Reset | Description  |
|-------|-------------------|-----|-------|--|
| [7:0] | VCO_AMPL_READBACK | R   | 0     | Readback of the VCO bias current DAC after calibration |

Table 140. 0x3F8: ANALOG\_TEST\_BUS

| Bit   | Name            | R/W | Reset | Description  |
|-------|-----------------|-----|-------|--|
| [7:0] | ANALOG_TEST_BUS | R/W | 0     | To enable analog RSSI on ATB3, set ANALOG_TEST_BUS = 0x64 in conjunction with setting RSSI_TSTMUX_SEL = 0x3. |

Table 141. 0x3F9: RSSI\_TSTMUX\_SEL

| Bit   | Name            | R/W | Reset | Description  |
|-------|-----------------|-----|-------|--|
| [7]   | Reserved        | R/W | 0     |  |
| [6:2] | Reserved        | R/W | 0     |  |
| [1:0] | RSSI_TSTMUX_SEL | R/W | 0     | To enable analog RSSI on ATB3, set RSSI_TSTMUX_SEL = 0x3 in conjunction with setting ANALOG_TEST_BUS = 0x64. |

Table 142. 0x3FA: GPIO\_CONFIGURE

| Bit   | Name           | R/W | Reset | Description   |
|-------|----------------|-----|-------|---|
| [7:0] | GPIO_CONFIGURE | R/W | 0     | 0x00: default<br>0x21: slicer output on GP5 (that is, bypass CDR)<br>0x40: limiter outputs on GP0(Q) and GP1(I)<br>0x41: filtered limiter outputs on GP0(Q) and GP1(I) and unfiltered limiter outputs on GP2(Q) and IRQ_GP3 (I)<br>0x50: packet transmit data from communications processor on GP0<br>0x53: PA ramp finished on GP0<br>0xA0: Sport Mode 0<br>0xA1: Sport Mode 1<br>0xA2: Sport Mode 2<br>0xA3: Sport Mode 3<br>0xA4: Sport Mode 4<br>0xA5: Sport Mode 5<br>0xA6: Sport Mode 6<br>0xA7: Sport Mode 7<br>0xA8: Sport Mode 8<br>0xC9: Test DAC output on GP0 (also must set TEST_DAC_GAIN) |

Table 143. 0x3FD: TEST\_DAC\_GAIN

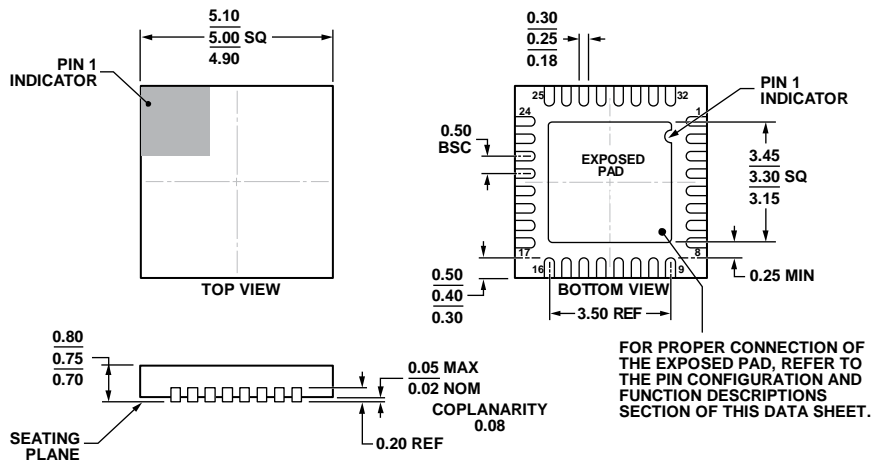
| Bit   | Name          | R/W | Reset | Description                                   |
|-------|---------------|-----|-------|---|
| [7:4] | Reserved      | R/W | 0     | Reserved                                      |
| [3:0] | TEST_DAC_GAIN | R/W | 4     | Set TEST_DAC_GAIN = 0 when using the test DAC |

## PACKET RAM REGISTER DESCRIPTION

Table 144. 0x00D: VAR\_TX\_MODE

| VAR_TX_MODE | Mode                               |
|-------------|------------------------------------|
| 0           | Default; no transmit test mode     |
| 1           | Transmit random data continuously  |
| 2           | Transmit the preamble continuously |
| 3           | Transmit the carrier continuously  |
| 4 to 255    | Reserved                           |

OUTLINE DIMENSIONS



COMPLIANT TO JEDEC STANDARDS MO-220-WHHD.

Figure 89. 32-Lead Lead Frame Chip Scale Package [LFCSP\_WQ]  
 5 mm × 5 mm Body, Very Very Thin Quad  
 (CP-32-13)  
 Dimensions shown in millimeters

05-24-2012-A

ORDERING GUIDE

| Model <sup>1</sup> | Temperature Range | Package Description  | Package Option |
|--------------------|-------------------|--|----------------|
| ADF7023-JBCPZ      | -40°C to +85°C    | 32-Lead Lead Frame Chip Scale Package [LFCSP_WQ]             | CP-32-13       |
| ADF7023-JBCPZ-RL   | -40°C to +85°C    | 32-Lead Lead Frame Chip Scale Package [LFCSP_WQ]             | CP-32-13       |
| EVAL-ADF7XXXMB3Z   |                   | Evaluation Board (USB Motherboard)                           |                |
| EVAL-ADF7023-JDB1Z |                   | Evaluation Board (RF Daughterboard, 950 MHz, Separate Match) |                |
| EVAL-ADF7023-JDB2Z |                   | Evaluation Board (RF Daughterboard, 950 MHz, Combined Match) |                |

<sup>1</sup> Z = RoHS Compliant Part.

**NOTES**

**NOTES**



Компания «Life Electronics» занимается поставками электронных компонентов импортного и отечественного производства от производителей и со складов крупных дистрибьюторов Европы, Америки и Азии.

С конца 2013 года компания активно расширяет линейку поставок компонентов по направлению коаксиальный кабель, кварцевые генераторы и конденсаторы (керамические, пленочные, электролитические), за счёт заключения дистрибьюторских договоров

Мы предлагаем:

- Конкурентоспособные цены и скидки постоянным клиентам.
- Специальные условия для постоянных клиентов.
- Подбор аналогов.
- Поставку компонентов в любых объемах, удовлетворяющих вашим потребностям.
- Приемлемые сроки поставки, возможна ускоренная поставка.
- Доставку товара в любую точку России и стран СНГ.
- Комплексную поставку.
- Работу по проектам и поставку образцов.
- Формирование склада под заказчика.
- Сертификаты соответствия на поставляемую продукцию (по желанию клиента).
- Тестирование поставляемой продукции.
- Поставку компонентов, требующих военную и космическую приемку.
- Входной контроль качества.
- Наличие сертификата ISO.

В составе нашей компании организован Конструкторский отдел, призванный помогать разработчикам, и инженерам.

Конструкторский отдел помогает осуществить:

- Регистрацию проекта у производителя компонентов.
- Техническую поддержку проекта.
- Защиту от снятия компонента с производства.
- Оценку стоимости проекта по компонентам.
- Изготовление тестовой платы монтаж и пусконаладочные работы.



Тел: +7 (812) 336 43 04 (многоканальный)

Email: [org@lifeelectronics.ru](mailto:org@lifeelectronics.ru)