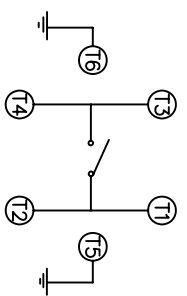
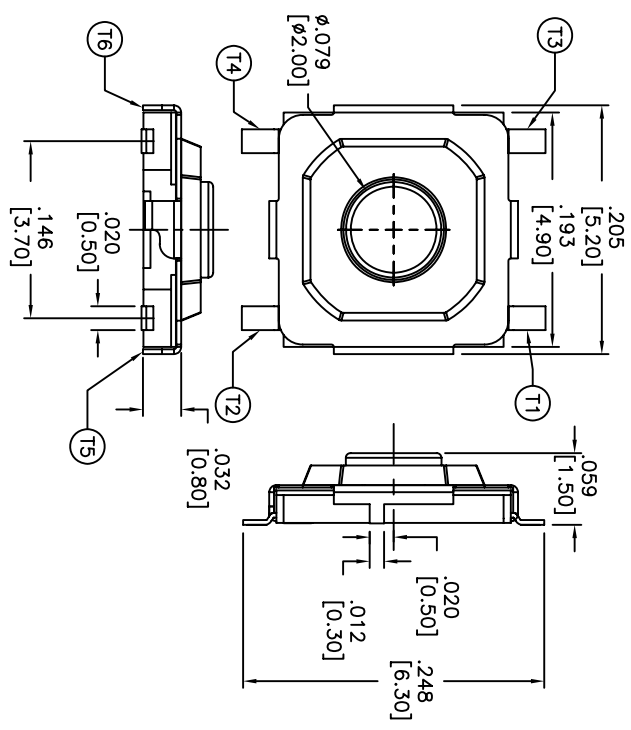
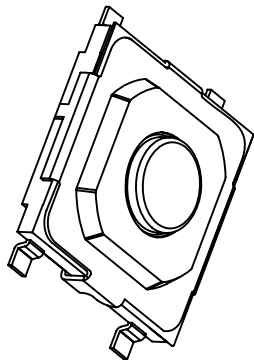
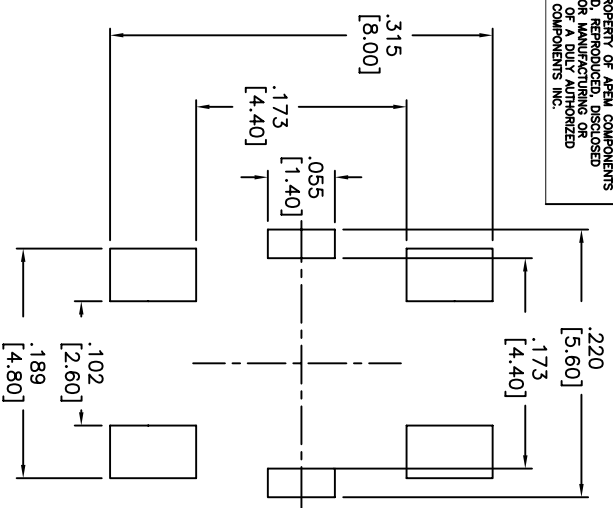


THIS DOCUMENT IS THE PROPERTY OF APEN COMPONENTS AND SHALL NOT BE COPIED, REPRODUCED, DISCLOSED OR USED AS THE BASIS FOR MANUFACTURING OR SALE WITHOUT PERMISSION OF A DULY AUTHORIZED REPRESENTATIVE OF APEN COMPONENTS INC.

ATMG53\*V\*  
 OPERATION FORCE: \_\_\_\_\_  
 3=160gf  
 4=260gf  
 PACKAGE STYLE:  
 T/R=TAPE AND REEL  
 LEAD FREE



CIRCUIT DIAGRAM

DATE	SYM	REVISION RECORD	DWN.	CK.
11/05	B	ECO# 495	CD	

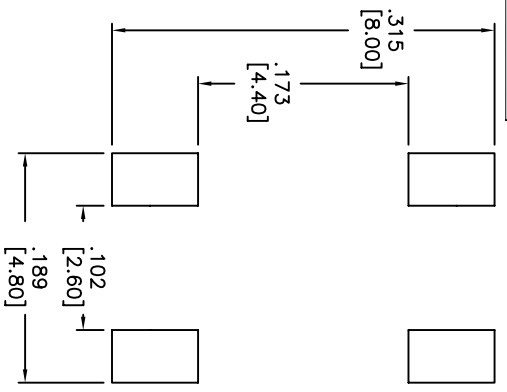
DESCRIPTION: MINIATURE MACHANICAL CONTACT SWITCH WITH SURFACE MOUNT TERMINALS AND GROUNDING TERMINALS.  
 SPECIFICATIONS:  
 STROKE: .010 <sup>+0.004</sup> <sub>-0.008</sub> [0.25 <sup>+0.10</sup> <sub>-0.20</sub>]  
 OPERATION TEMPERATURE RANGE: -25°C TO +70°C  
 STORAGE TEMPERATURE RANGE: -30°C TO +80°C  
 VIBRATION TEST: PASSES METHOD 201A MIL-STD-202F.  
 SHOCK TEST: 50G PER METHOD 213B MIL-STD202F.  
 ELECTRICAL LIFE: 1,000,000 CYCLES MIN FOR 160gf.  
 200,000 CYCLES MIN FOR 260gf.  
 RATING: 50mA, 12VDC.  
 CONTACT RESISTANCE: 100mΩ MAX.  
 INSULATION RESISTANCE: 100MΩ MIN. AT 500VDC.  
 DIELECTRIC STRENGTH: 250VAC/1 MINUTE.  
 CONTACT ARRANGEMENT: 1POLE 1 THROW.  
 MATERIALS:  
 COVER: NICKEL SILVER.  
 BASE: HIGH-TEMP. THERMOPLASTIC.  
 COLOR: BLACK.  
 STEM: BRASS WITH NICKEL PLATING  
 CONTACT DISC: STAINLESS STEEL.  
 TERMINAL: BRASS WITH SILVER CLADDING.  
 TAPE: TEFLON  
 SOLDERING:  
 HAND SOLDERING: 30 WATT IRON AT 350°C FOR 5 SEC.  
 VAPOR & REFLOW: 255°C FOR 5 SEC. MAX.  
 NON-WASHABLE  
 LEAD FREE PROCESS COMPATIBLE  
 ROHS COMPLIANT

<b>APEN</b> APEN COMPONENTS, INC. 63 Nork Rd. Hawthorne, NJ 07035 Phone: 973-772-5554 Fax: 973-772-5554		DPN: CJD BR: PJD
DESIGNS: OPTICAL DIMENSION TOLERANCES (UNLESS OTHERWISE SPECIFIED) .XX = ±0.005 .XXX = ±0.004 .XXXX = ±0.0008 .XXXXX = ±0.0004 ANGLE = 30.5°	SHEET 1 OF 1 SIZE B SCALE 10:1 THIRD ANGLE PROJECTION	TITLE <b>MECHANICAL CONTACT SWITCH</b>
DO NOT SCALE DIMENSIONS DATE: 08/15/05 DRAWING NO: ATMG53*V*		REV: B

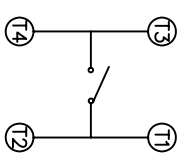
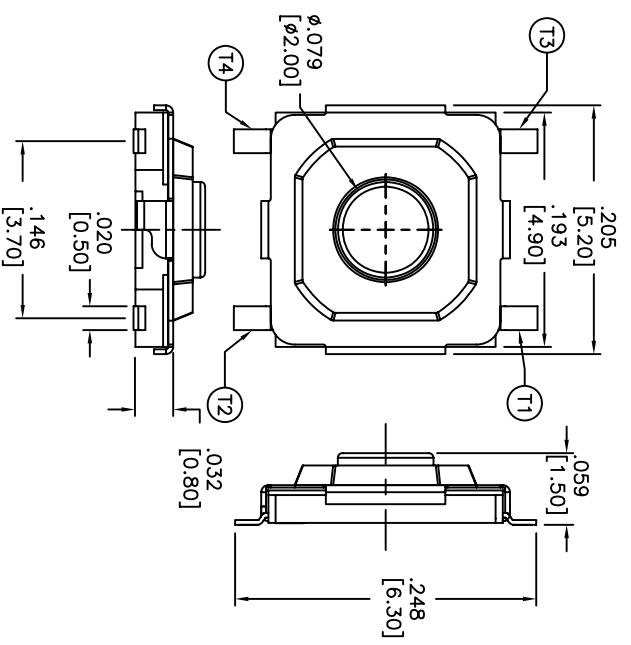
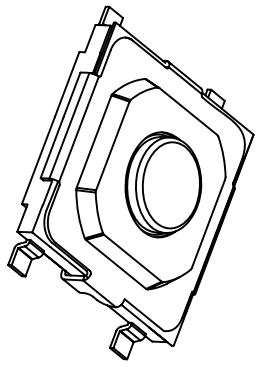
THIS DOCUMENT IS THE PROPERTY OF APEM COMPONENTS AND SHALL NOT BE COPIED, REPRODUCED, DISCLOSED OR USED AS THE BASIS FOR MANUFACTURING OR SALE WITHOUT PERMISSION OF A DULY AUTHORIZED REPRESENTATIVE OF APEM COMPONENTS INC.

OPERATION FORCE: ATM53\*V\*  
 2=100gf  
 3=160gf  
 4=260gf

PACKAGE STYLE:  
 T/R=TAPE AND REEL  
 LEAD FREE



P.C.B. LAYOUT



CIRCUIT DIAGRAM

DATE	SYM	REVISION RECORD	DWN.	CK.

DESCRIPTION: MINIATURE MECHANICAL CONTACT SWITCH SURFACE MOUNT TERMINALS.

SPECIFICATIONS:

STROKE: .010  $\pm$ .004 [0.25  $\pm$ 0.10]

OPERATION TEMPERATURE RANGE: -25°C TO +70°C

STORAGE TEMPERATURE RANGE: -30°C TO +80°C

VIBRATION TEST: PASSES METHOD 201A MIL-STD-202F.

SHOCK TEST: 50G PER METHOD 213B MIL-STD202F.

ELECTRICAL LIFE: 1,000,000 CYCLES MIN FOR 100gf, 16 200,000 CYCLES MIN FOR 260gf.

RATING: 50mA, 12VDC.

CONTACT RESISTANCE: 100mΩ MAX.

INSULATION RESISTANCE: 100MΩ MIN. AT 500VDC.

DIELECTRIC STRENGTH: 250VAC/1 MINUTE.

CONTACT ARRANGEMENT: 1POLE 1 THROW.

MATERIALS:

COVER: NICKEL SILVER.

BASE: HIGH-TEMP. THERMOPLASTIC.

COLOR: BLACK.

STEM: BRASS WITH NICKEL PLATING

CONTACT DISC: STAINLESS STEEL WITH SILVER PLATING.

TERMINAL: BRASS WITH SILVER CLADDING.

TAPE: TEFLON

SOLDERING:

HAND SOLDERING: 30 WATT IRON AT 350°C FOR 5 SEC VAPOR & REFLOW: 255°C FOR 5 SEC. MAX.

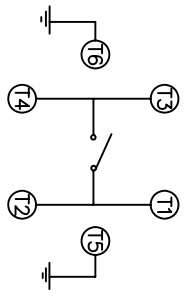
NON-WASHABLE

LEAD FREE PROCESS COMPATIBLE

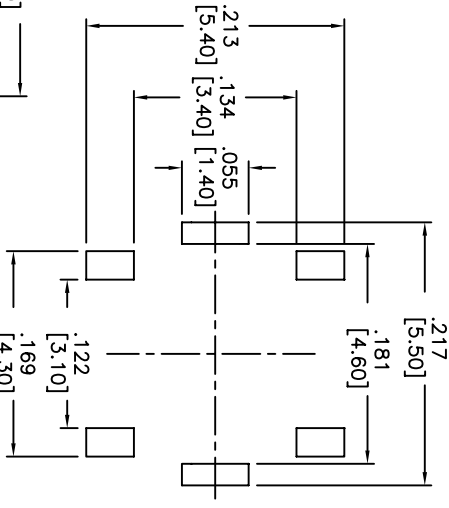
ROHS COMPLIANT

<b>Q.A. INSPECT:</b> 		<b>DESIGNER'S OPTICAL DIMENSION</b> <small>(DRAWN AS SHOWN)</small> .XX=±.02[0.05] .XXX=±.008[0.20] .XXXX=±.0008[0.02] ANGLE = 30.5°		 <b>APM</b> <small>APM COMPONENTS, INC.</small> 63 NACK RD. HERRINGHAM, MA 01835 TEL: 978-372-5554 FAX: 978-372-5554		PPN: CJD BR: PJD	
<b>TOLERANCES</b> <small>(DRAWN AS SHOWN)</small> .XX=±.02[0.05] .XXX=±.008[0.20] .XXXX=±.0008[0.02] ANGLE = 30.5°		<b>TITLE</b> MECHANICAL CONTACT SWITCH		<b>THIRD ANGLE PROJECTION</b> 		DO NOT SCALE DATE: 4/26/06 DRAWING NO: ATM53*V* REV: A	

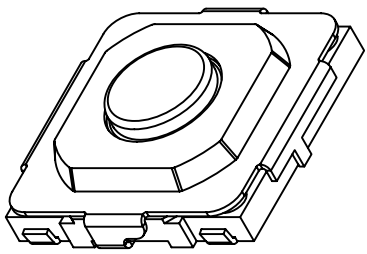
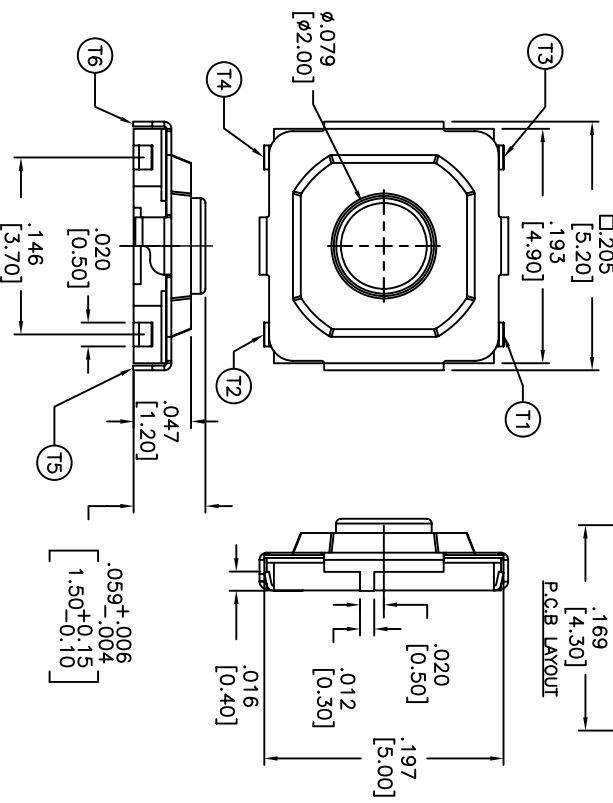
THIS DOCUMENT IS THE PROPERTY OF APEM COMPONENTS AND SHALL NOT BE COPIED, REPRODUCED, DISCLOSED OR SALE WITHOUT PERMISSION OF A DULY AUTHORIZED REPRESENTATIVE OF APEM COMPONENTS INC.



CIRCUIT DIAGRAM



PCB LAYOUT



OPERATION FORCE: ATUG53\*\*V\* PACKAGE STYLE: T/R=TAPE AND REEL  
 3=160gf  
 4=260gf  
 LEAD FREE

DESCRIPTION: MINIATURE MECHANICAL CONTACT SWITCH WITH "S" TYPE SMT AND GROUNDING TERMINALS.

SPECIFICATIONS:

OPERATION TEMPERATURE RANGE: -25°C TO +70°C  
 STORAGE TEMPERATURE RANGE: -30°C TO +80°C  
 VIBRATION TEST: PASSES METHOD 201A  
 MIL-STD-202F.  
 SHOCK TEST: 50G PER METHOD 213B MIL-STD202F.  
 ELECTRICAL LIFE: 1,000,000 CYCLES MIN FOR 160gf.  
 200,000 CYCLES MIN FOR 260gf.

RATING: 50mA, 12VDC.  
 CONTACT RESISTANCE: 100mΩ MAX.  
 INSULATION RESISTANCE: 100MΩ MIN. AT 500VDC.  
 DIELECTRIC STRENGTH: 250VAC/1 MINUTE.  
 STROKE: 0.25 ±0.10mm  
 CONTACT ARRANGEMENT: 1POLE 1 THROW.

MATERIALS:

COVER: NICKEL SILVER.  
 BASE: HIGH-TEMP. THERMOPLASTIC.  
 COLOR: BLACK.  
 STEM: BRASS WITH NICKEL PLATING  
 CONTACT DISC: STAINLESS STEEL.  
 TERMINAL: BRASS WITH SILVER CLADDING.  
 TAPE: TEFLON

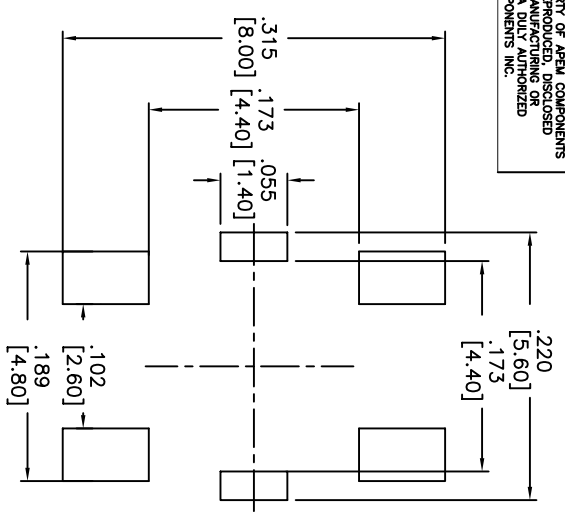
SOLDERING:

HAND SOLDERING: 30 WATT IRON AT 350°C FOR 5 SEC.  
 IR REFLOW: 225°C MAX.  
 LEAD FREE PROCESS COMPATIBLE  
 ROHS COMPLIANT

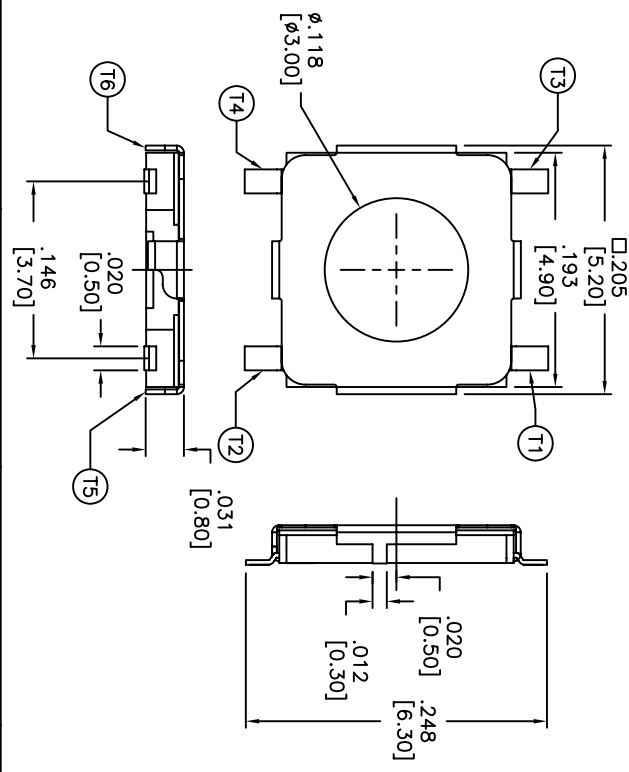
DATE	SYM	REVISION RECORD	DWN.	CK.

<p>9A. INSPECT:  DIMENSIONS CRITICAL</p> <p>TOLERANCES (UNLESS OTHERWISE SPECIFIED)        .XX = ±0.005        .XXX = ±0.008        .XXXX = ±0.008        ANGLE = 30.5°</p>	<p>APM        63 Neck Rd.        01835        781-326-5554        Fax: 781-326-5554</p>	<p>DRN. CJD        BR. BR.        PJD</p>
<p>TITLE        MECHANICAL CONTACT SWITCH</p>	<p>SHEET 1 OF 1        SIZE B        SCALE 10:1</p>	<p>THIRD ANGLE PROJECTION</p>
<p>DO NOT SCALE DRAWING</p>	<p>DATE: 8/11/05</p>	<p>DRAWING NO. ATUG53*V*        REV A</p>

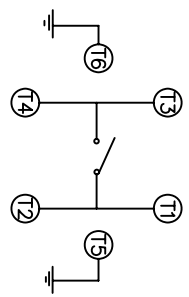
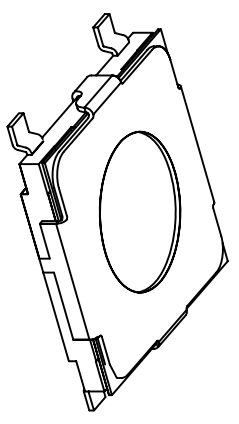
THIS DOCUMENT IS THE PROPERTY OF APM COMPONENTS AND SHALL NOT BE COPIED, REPRODUCED, DISCLOSED OR SALE WITHOUT PERMISSION OF A DULY AUTHORIZED REPRESENTATIVE OF APM COMPONENTS INC.



P.C.B. LAYOUT  
UNLESS OTHERWISE SPECIFIED  
ALL P.C. TOLERANCES ARE ±.002 [0.05]



ATMG52\*V\*  
OPERATION FORCE: \_\_\_\_\_  
2=100gf  
3=160gf  
4=260gf  
PACKAGE STYLE:  
T/R=TAPE AND REEL  
LEAD FREE



CIRCUIT DIAGRAM

DESCRIPTION: MINIATURE MECHANICAL CONTACT SWITCH WITH SMT, AND GROUNDING TERMINALS.

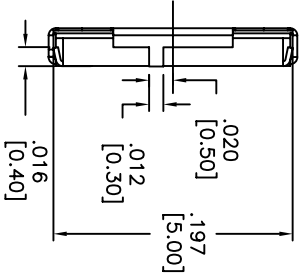
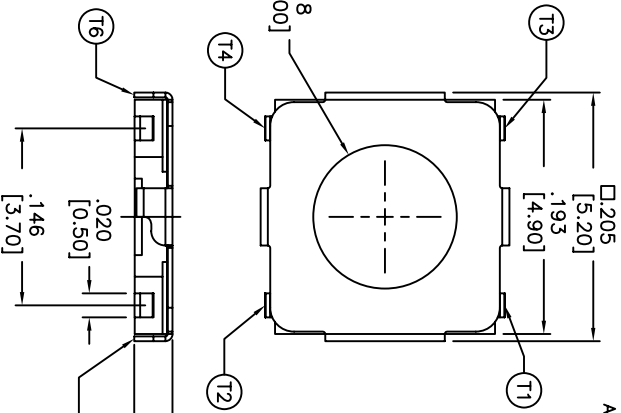
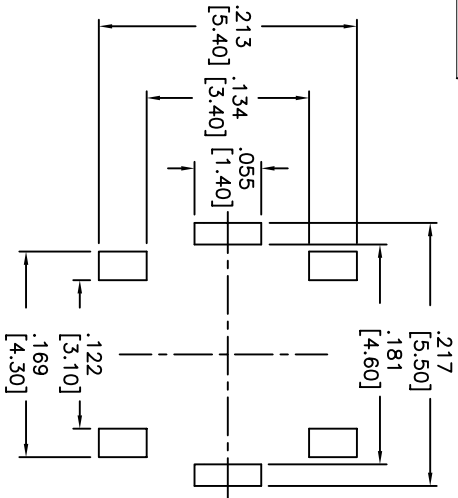
SPECIFICATIONS:  
OPERATION TEMPERATURE RANGE: -25°C TO +70°C  
STORAGE TEMPERATURE RANGE: -30°C TO +80°C  
VIBRATION TEST: PASSES METHOD 2014 MIL-STD-202F.  
STROKE: .010 ±.005 [0.25 ±.012]  
SHOCK TEST: 50G PER METHOD 213B MIL-STD202F.  
ELECTRICAL LIFE: 1,000,000 CYCLES MIN FOR 100gf AND 160gf.  
200,000 CYCLES MIN FOR 260gf.

RATING: 50mA, 12VDC.  
CONTACT RESISTANCE: 100mΩ MAX.  
INSULATION RESISTANCE: 100MΩ MIN. AT 500VDC.  
DIELECTRIC STRENGTH: 250VAC/1 MINUTE.  
CONTACT ARRANGEMENT: 1POLE 1 THROW.  
MATERIALS:  
COVER: NICKEL SILVER.  
BASE: HIGH-TEMP. THERMOPLASTIC.  
COLOR: BLACK.  
STEM: BRASS WITH NICKEL PLATING  
CONTACT DISC: STAINLESS STEEL WITH SILVER CLADDING.  
TERMINAL: BRASS WITH SILVER PLATING.  
TAPE: TEFLON  
SOLDERING:  
HAND SOLDERING: 30 WATT IRON AT 350°C FOR 5 SEC.  
IR REFLOW: 260°C MAX  
LEAD FREE PROCESS COMPATIBLE  
ROHS COMPLIANT

DATE	SYM	REVISION RECORD	DWN.	CK.

<b>Q.A. INSPECT:</b> 		<b>DESIGNER'S INITIAL:</b> _____		<b>DRN.</b> CJD
<b>TOLERANCES (UNLESS OTHERWISE SPECIFIED)</b> .XX=±.02[0.05] .XXX=±.0008[0.20] .XXXX=±.0008[0.20] ANGLE = 40.5°		<b>APM</b> APM COMPONENTS INC. 63 NACK RD. THORNTON, MA 01559 TEL: 508-772-5554 FAX: 508-772-5554		<b>BR.</b> PJD
<b>TITLE</b> MECHANICAL CONTACT SWITCH	<b>SHEET</b> 1 OF 1	<b>SIZE</b> B	<b>SCALE</b> 10:1	<b>THIRD ANGLE PROJECTION</b> 
<b>DATE</b> 8/15/05	<b>DRAWING NO.</b> ATMG52*V*	<b>REV</b> A		

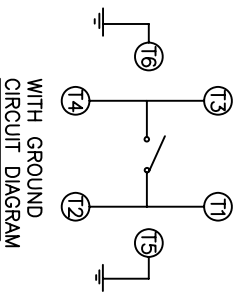
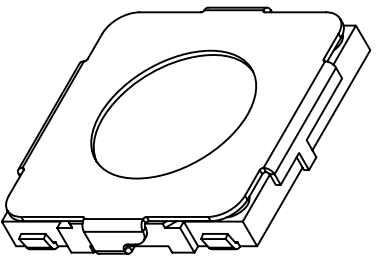
THIS DOCUMENT IS THE PROPERTY OF APEN COMPONENTS AND SHALL NOT BE COPIED, REPRODUCED, DISCLOSED OR USED AS THE BASIS FOR MANUFACTURING OR SALE WITHOUT PERMISSION OF A DULY AUTHORIZED REPRESENTATIVE OF APEN COMPONENTS INC.



.032+ .006  
- .004  
[0.80+0.15]  
[0.40]

P.C.B LAYOUT  
UNLESS OTHERWISE SPECIFIED  
ALL P.C. TOLERANCES ARE ±.002 [0.05]

OPERATION FORCE: ATUG52\*\*V\*  
2=100gf  
3=160gf  
4=260gf  
PACKAGE STYLE:  
T/R=TAPE AND REEL  
LEAD FREE



DESCRIPTION: MINIATURE MECHANICAL CONTACT SWITCH WITH J TYPE SMT AND GROUNDING TERMINALS.

SPECIFICATIONS:  
OPERATION TEMPERATURE RANGE: -25°C TO +70°C  
STORAGE TEMPERATURE RANGE: -30°C TO +80°C  
VIBRATION TEST: PASSES METHOD 201A MIL-STD-202F.  
SHOCK TEST: 50G PER METHOD 213B MIL-STD202F.  
ELECTRICAL LIFE: 1,000,000 CYCLES MIN FOR 100gf 160gf.  
200,000 CYCLES MIN FOR 260gf.  
RATING: 50mA, 12VDC.  
CONTACT RESISTANCE: 100mΩ MAX.  
INSULATION RESISTANCE: 100MΩ MIN. AT 500VDC.  
DIELECTRIC STRENGTH: 250VAC/1 MINUTE.  
STROKE: 0.25 ±0.08mm  
CONTACT ARRANGEMENT: 1POLE 1 THROW.

MATERIALS:  
COVER: NICKEL SILVER.  
BASE: HIGH-TEMP. THERMOPLASTIC.  
COLOR: BLACK.  
STEM: BRASS WITH NICKEL PLATING  
CONTACT DISC: STAINLESS STEEL WITH SILVER CLADDING.  
TERMINAL: BRASS WITH SILVER PLATING.  
TAPE: TEFLON

SOLDERING:  
HAND SOLDERING: 30 WATT IRON AT 350°C FOR 5 SEC.  
IR REFLOW: 260°C MAX.  
LEAD FREE PROCESS COMPATIBLE  
ROHS COMPLIANT

DATE	SYM	REVISION RECORD	DWN.	CK.

Q.A. INSPECT:		63 Nark. Rd. 01835 Haverhill, MA 01835 APEN COMPONENTS, INC. Phone: 978-372-5554		DRN. CJD
DESIGNATES CRITICAL DIMENSION	INCH	SHEET	SIZE	SCALE
TOLERANCES (UNLESS OTHERWISE SPECIFIED)	1 OF 1	B	10:1	THIRD ANGLE PROJECTION
.XX=±.02 [0.05]				
.XXX=±.008 [0.20]				
.XXXX=±.0008 [0.02]				
ANGLE = 30.5°	TITLE		MECHANICAL CONTACT SWITCH	
DO NOT SCALE	DATE	DRAWING NO.	ATUG52**V*	
8/11/06			REV A	

Компания «Life Electronics» занимается поставками электронных компонентов импортного и отечественного производства от производителей и со складов крупных дистрибьюторов Европы, Америки и Азии.

С конца 2013 года компания активно расширяет линейку поставок компонентов по направлению коаксиальный кабель, кварцевые генераторы и конденсаторы (керамические, пленочные, электролитические), за счёт заключения дистрибьюторских договоров

Мы предлагаем:

- Конкурентоспособные цены и скидки постоянным клиентам.
- Специальные условия для постоянных клиентов.
- Подбор аналогов.
- Поставку компонентов в любых объемах, удовлетворяющих вашим потребностям.
- Приемлемые сроки поставки, возможна ускоренная поставка.
- Доставку товара в любую точку России и стран СНГ.
- Комплексную поставку.
- Работу по проектам и поставку образцов.
- Формирование склада под заказчика.
- Сертификаты соответствия на поставляемую продукцию (по желанию клиента).
- Тестирование поставляемой продукции.
- Поставку компонентов, требующих военную и космическую приемку.
- Входной контроль качества.
- Наличие сертификата ISO.

В составе нашей компании организован Конструкторский отдел, призванный помогать разработчикам, и инженерам.

Конструкторский отдел помогает осуществить:

- Регистрацию проекта у производителя компонентов.
- Техническую поддержку проекта.
- Защиту от снятия компонента с производства.
- Оценку стоимости проекта по компонентам.
- Изготовление тестовой платы монтаж и пусконаладочные работы.



Тел: +7 (812) 336 43 04 (многоканальный)  
Email: [org@lifeelectronics.ru](mailto:org@lifeelectronics.ru)