



PROGRAMMABLE OVERVOLTAGE PROTECTOR QUAD FORWARD-CONDUCTING P-GATE THYRISTOR

TISP61089QB SLIC Overvoltage Protector

Quad Voltage-Programmable Protector

- Wide -20 V to -155 V Programming Range
- Low 5 mA max. Gate Triggering Current
- High 150 mA min. Holding Current
- Rated for ITU-T and YD/T-950 10/700 impulses
- Rated for Telcordia Intra-building impulses

10/700 Protection Voltage Specified

Element	Protection Level 40 A, 5/310
Diode	+12
Crowbar $V_{GG} = -48 V$	-64

Description

Bourns® TISP61089QB is a quad forward-conducting buffered p-gate overvoltage protector. It is designed to protect monolithic SLICs (Subscriber Line Interface Circuits) against overvoltages on the telephone line caused by lightning, a.c. power contact and induction. The TISP61089QB limits voltages that exceed the SLIC supply rail voltage. The TISP61089QB parameters are specified to allow equipment compliance with Telcordia GR-1089-CORE Intra-building, ITU-T K.20, K.21 and K.45 and YD/T-950.

The SLIC line driver section is typically powered from 0 V (ground) and a negative voltage in the region of -20 V to -155 V. The protector gate is connected to this negative supply. This references the protection (clipping) voltage to the negative supply voltage. As the protection voltage will then track the negative supply voltage the overvoltage stress on the SLIC is minimized.

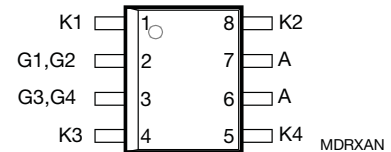
Positive overvoltages are clipped to ground by diode forward conduction. Negative overvoltages are initially clipped close to the SLIC negative supply rail value. If sufficient current is available from the overvoltage, then the protector will crowbar into a low voltage on-state condition. As the overvoltage subsides, the high holding current of the crowbar helps prevent d.c. latchup.

These monolithic protection devices are fabricated in ion-implanted planar vertical power structures for high reliability and are virtually transparent in normal operation. The TISP61089QB buffered gate design reduces the loading on the SLIC supply during overvoltages caused by power cross and induction. The TISP61089QB is available in an 8-pin plastic small-outline surface mount package.

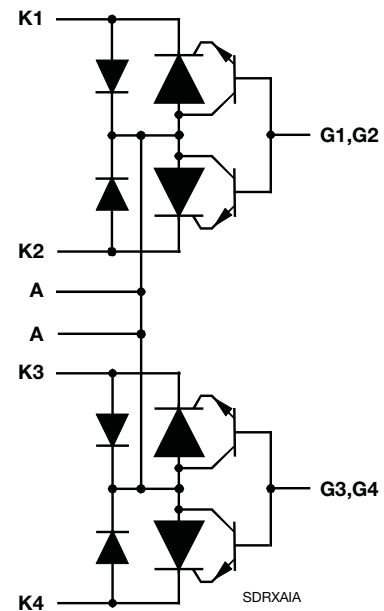
How to Order

Device	Package	Carrier	Order As	Marking Code	Standard Quantity
TISP61089QB	8 Pin Small Outline (D008)	Embossed Tape Reeled	TISP61089QBDR-S	1089QB	2500

D Package (Top View)



Device Symbol



*RoHS Directive 2002/95/EC Jan. 27, 2003 including annex and RoHS Recast 2011/65/EU June 8, 2011.

JULY 2010 - REVISED MAY 2012

Specifications are subject to change without notice.

Customers should verify actual device performance in their specific applications.

TISP61089QB SLIC Overvoltage Protector

BOURNS®

Absolute Maximum Ratings, $T_J = 25\text{ }^\circ\text{C}$ (Unless Otherwise Noted)

Rating	Symbol	Value	Unit
Repetitive peak off-state voltage, $I_G = 0$	V_{DRM}	-170	V
Repetitive peak gate-cathode voltage, $V_{KA} = 0$	V_{GKRM}	-167	V
Non-repetitive peak on-state pulse current (see Notes 1 and 2) 10/1000 μs (Bellcore GR-1089-CORE, Issue 1, November 1994, Section 4) 5/310 μs (ITU-T K.20/21/45, YD/T-950, open circuit voltage waveshape 10/700) 2/40 μs (IEC61000-4-5, 1.2/50 μs open circuit voltage, 2 ohm + 10 ohm, see Note 4) 2/10 μs (Bellcore GR-1089-CORE, Issue 1, November 1994, Section 4)	I_{TSP}	30 40 85 120	A
Non-repetitive peak on-state current, 60 Hz (see Notes 1, 2 and 3) 900 s	I_{TSM}	0.5	A
Non-repetitive peak gate current, 2/10 μs pulse, cathodes commoned (see Notes 1 and 2)	I_{GSM}	40	A
Junction temperature	T_J	-40 to +150	$^\circ\text{C}$
Storage temperature range	T_{stg}	-40 to +150	$^\circ\text{C}$

- NOTES: 1. Initially the protector must be in thermal equilibrium with $T_J = 25\text{ }^\circ\text{C}$. The surge may be repeated after the device returns to its initial conditions.
2. These non-repetitive rated currents are peak values for either polarity. The rated current values may be applied to any cathode-anode terminal pair. Additionally, all cathode-anode terminal pairs may have their rated current values applied simultaneously (in this case the anode terminal current will be four times the rated current value of an individual terminal pair).
3. EIA/JESD51-2 environment and EIA/JESD51-7 high effective thermal conductivity test board (multi-layer) connected with 0.6 mm printed wiring track widths.
4. Combination wave generator as specified in ITU-T K.20, K.21, K.44.

Recommended Operating Conditions

	Min	Typ	Max	Unit
C_G Gate decoupling capacitor		100		nF

Electrical Characteristics, $T_J = 25\text{ }^\circ\text{C}$ (Unless Otherwise Noted)

Parameter	Test Conditions	Min	Typ	Max	Unit
I_D Off-state current	$V_D = V_{DRM}, V_{GK} = 0$			-5	μA
$V_{(BO)}$ Breakover voltage	10/700 μs , $I_T = -40\text{ A}$, $R_S = 55\ \Omega$, $V_{GG} = -48\text{ V}$, $C_G = 100\text{ nF}$			-64	V
V_F Forward voltage	$I_F = 5\text{ A}$, $t_w = 200\ \mu\text{s}$			3	V
V_{FRM} Peak forward recovery voltage	10/700 μs , $I_F = 40\text{ A}$, $R_S = 55\ \Omega$, $V_{GG} = -48\text{ V}$, $C_G = 100\text{ nF}$		12		V
I_H Holding current	$I_T = -1\text{ A}$, $di/dt = 1\text{ A/ms}$, $V_{GG} = -100\text{ V}$	-150			mA
I_{GAS} Gate reverse current	$V_{GG} = V_{GK} = V_{GKRM}, V_{KA} = 0$			-5	μA
I_{GT} Gate trigger current	$I_T = 3\text{ A}$, $t_{p(g)} \geq 20\ \mu\text{s}$, $V_{GG} = -100\text{ V}$			5	mA
V_{GT} Gate trigger voltage	$I_T = 3\text{ A}$, $t_{p(g)} \geq 20\ \mu\text{s}$, $V_{GG} = -100\text{ V}$			2.5	V
C_{AK} Anode-cathode off-state capacitance	$f = 1\text{ MHz}$, $V_d = 1\text{ V}$, $I_G = 0$, (see Note 5)	$V_D = -3\text{ V}$		100	pF
		$V_D = -48\text{ V}$		50	

- NOTE: 5. These capacitance measurements employ a three terminal capacitance bridge incorporating a guard circuit. The unmeasured device terminals are a.c. connected to the guard terminal of the bridge.

TISP61089QB SLIC Overvoltage Protector

BOURNS®

Thermal Characteristics

Parameter	Test Conditions	Min	Typ	Max	Unit
$R_{\theta JA}$	Junction to free air thermal resistance			160	°C/W

$P_{tot} = 0.8 \text{ W}$, $T_A = 25 \text{ °C}$
5 cm², FR4 PCB

Parameter Measurement Information

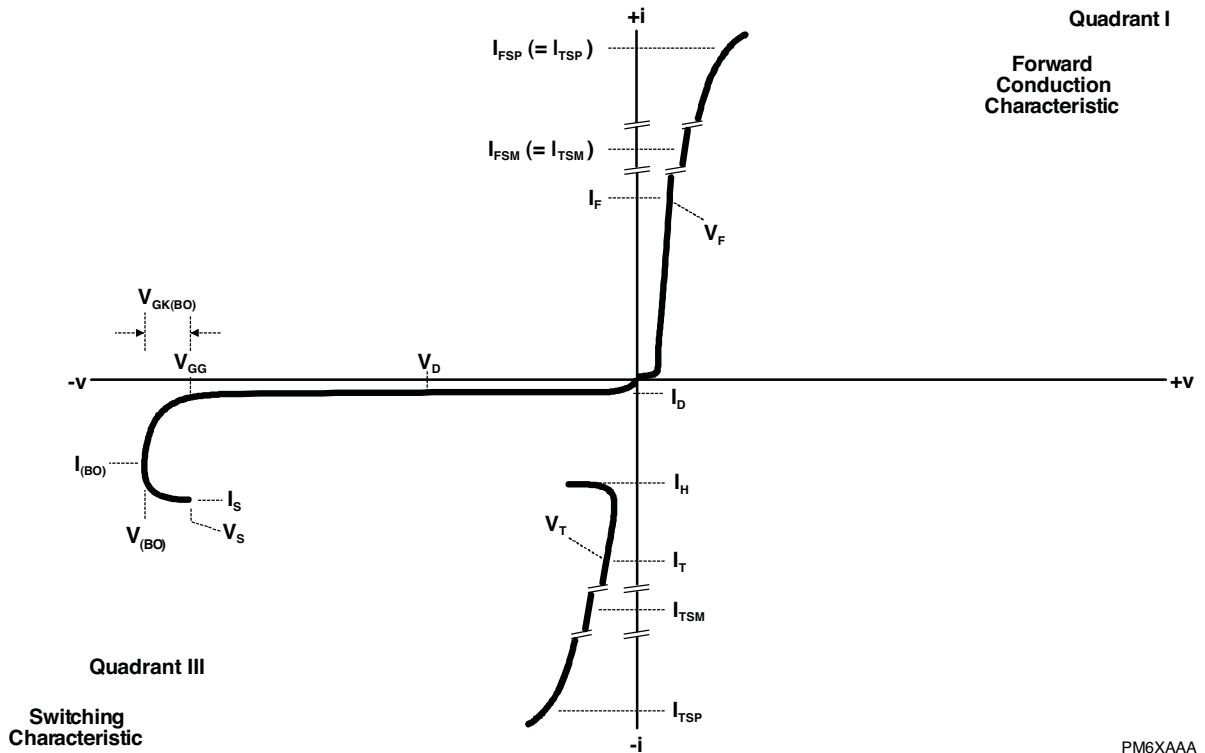


Figure 1. Voltage-Current Characteristic

PM6XAAA

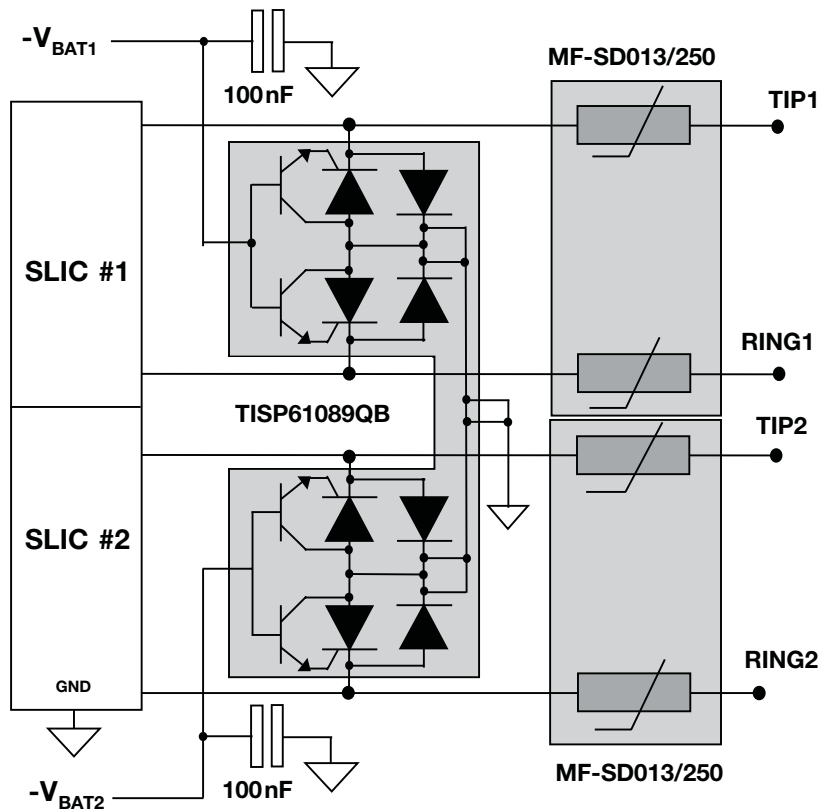
TISP61089QB SLIC Overvoltage Protector

BOURNS®

Applications Information

Typical Applications Circuit

Figure 2 shows a typical TISP61089QB SLIC card protection circuit. The incoming line conductors, RING1/RING2 and TIP1/TIP2, connect to the relay matrix via the series overcurrent protection. Positive temperature coefficient (PTC) thermistors can be used for overcurrent protection. The resistance of the PTC thermistor will reduce the prospective current from the surge generator for the TISP61089QB.



Bourns Sales Offices

<u>Region</u>	<u>Phone</u>	<u>Fax</u>
The Americas:	+1-951-781-5500	+1-951-781-5700
Europe:	+41(0)41-7685555	+41(0)41-7685510
Asia-Pacific:	+886-2-25624117	+886-2-25624116

Technical Assistance

<u>Region</u>	<u>Phone</u>	<u>Fax</u>
The Americas:	+1-951-781-5500	+1-951-781-5700
Europe:	+41(0)41-7685555	+41(0)41-7685510
Asia-Pacific:	+886-2-25624117	+886-2-25624116

www.bourns.com

Bourns® products are available through an extensive network of manufacturer's representatives, agents and distributors. To obtain technical applications assistance, a quotation, or to place an order, contact a Bourns representative in your area.

BOURNS®

"TISP" is a registered trademark of Bourns Ltd., a Bourns Company, in the United States and other countries, except that "TISP" is a registered trademark of Bourns, Inc. in China.
"Bourns" is a registered trademark of Bourns, Inc. in the U.S. and other countries.

Компания «Life Electronics» занимается поставками электронных компонентов импортного и отечественного производства от производителей и со складов крупных дистрибьюторов Европы, Америки и Азии.

С конца 2013 года компания активно расширяет линейку поставок компонентов по направлению коаксиальный кабель, кварцевые генераторы и конденсаторы (керамические, пленочные, электролитические), за счёт заключения дистрибьюторских договоров

Мы предлагаем:

- Конкурентоспособные цены и скидки постоянным клиентам.
- Специальные условия для постоянных клиентов.
- Подбор аналогов.
- Поставку компонентов в любых объемах, удовлетворяющих вашим потребностям.
- Приемлемые сроки поставки, возможна ускоренная поставка.
- Доставку товара в любую точку России и стран СНГ.
- Комплексную поставку.
- Работу по проектам и поставку образцов.
- Формирование склада под заказчика.
- Сертификаты соответствия на поставляемую продукцию (по желанию клиента).
- Тестирование поставляемой продукции.
- Поставку компонентов, требующих военную и космическую приемку.
- Входной контроль качества.
- Наличие сертификата ISO.

В составе нашей компании организован Конструкторский отдел, призванный помогать разработчикам, и инженерам.

Конструкторский отдел помогает осуществить:

- Регистрацию проекта у производителя компонентов.
- Техническую поддержку проекта.
- Защиту от снятия компонента с производства.
- Оценку стоимости проекта по компонентам.
- Изготовление тестовой платы монтаж и пусконаладочные работы.



Тел: +7 (812) 336 43 04 (многоканальный)

Email: org@lifeelectronics.ru