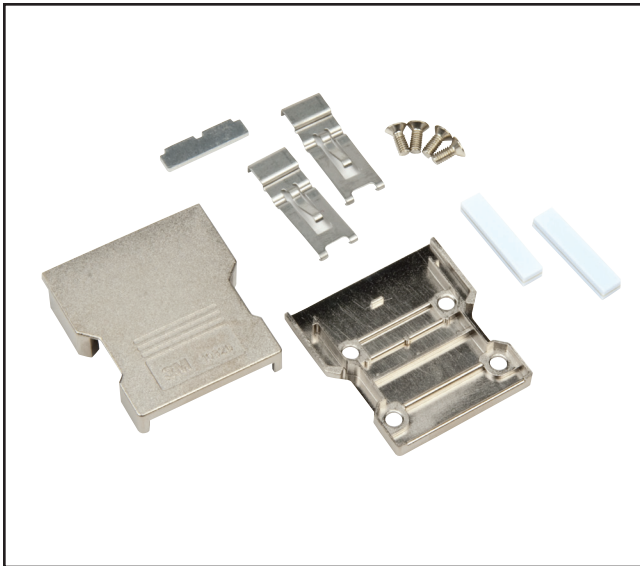


3M™ Mini D Ribbon (MDR) Connectors

.050" Metal Junction Shell for Flat Cable

103 Series



- Metal junction shell for flat cable
- Rugged two piece metal junction shells for high performance pleated foil cable assemblies (compatible with 101XX-6000EC plug)
- Kit includes conductive gasket for superior cable shield to shell continuity
- Accepts 3M 50 Ohm PFC cables
- Positions 26, 36 and 40
- RoHS* compliant. See the Regulatory Information Appendix (RIA) in the "RoHS compliance" section of www.3Mconnector.com for compliance information (RIA E1 & C1 apply)

Date Modified: March 10, 2010

TS-0655-B
Sheet 1 of 2

Physical

Shell

Material: Zinc, .020" [0.5 mm] Thick

Plating: Nickel

Gasket Material: Conductive, Silicone Elastomer

Marketing: 3M Logo and Part Identification Number

*RoHS = Directive 2002/95/EC, Restriction of the Use of Certain Hazardous Substances in Electrical and Electronic Equipment

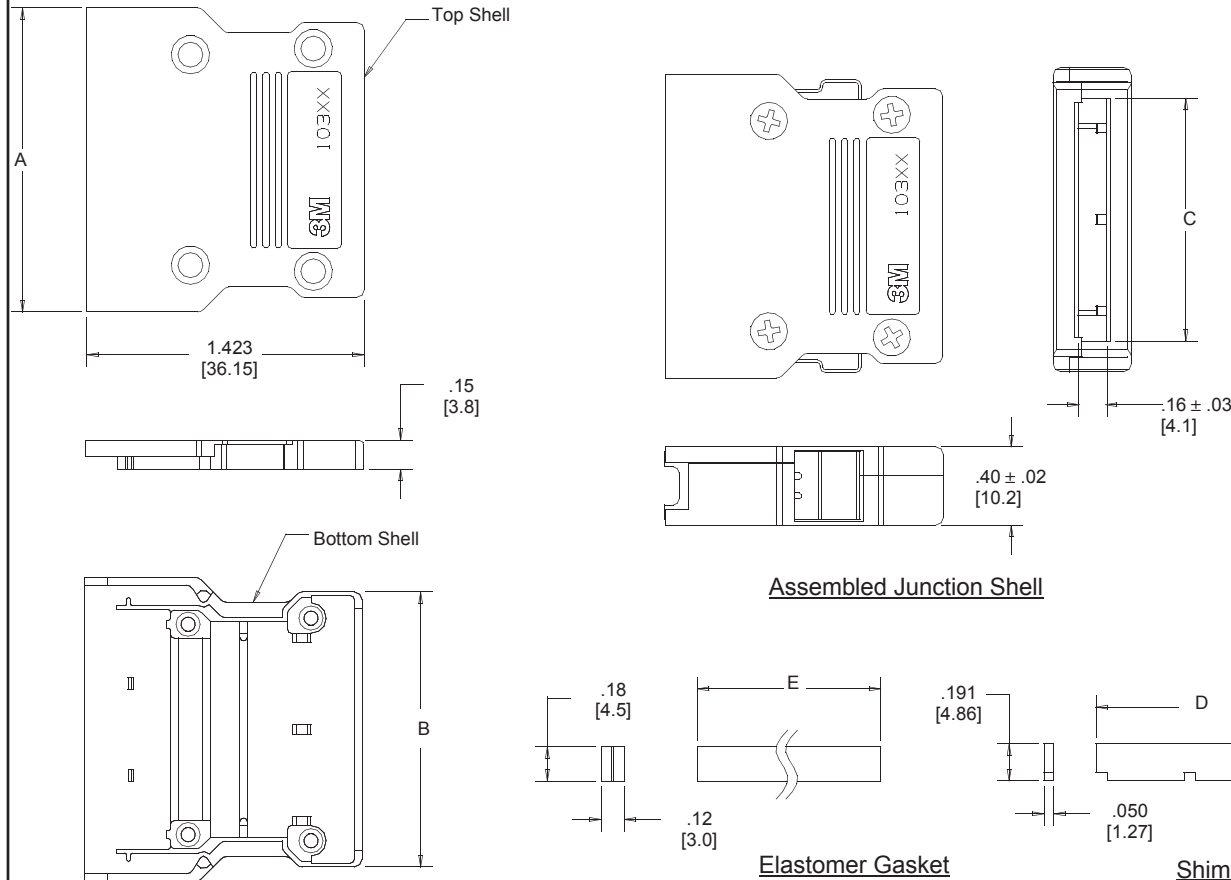
"RoHS compliant" means that the product or part does not contain any of the following substances in excess of the following maximum concentration values in any homogeneous material, unless the substance is in an application that is exempt under RoHS: (a) 0.1% (by weight) for lead, mercury, hexavalent chromium, polybrominated biphenyls or polybrominated diphenyl ethers; or (b) 0.01% (by weight) for cadmium. Unless otherwise stated by 3M in writing, this information represents 3M's knowledge and belief based upon information provided by third party suppliers to 3M.

3M™ Mini D Ribbon (MDR) Connectors

.050" Metal Junction Shell for Flat Cable

103 Series

Contact Quantity	Dimensions				
	A	B	C	D	E
26	1.309 [33.26]	1.159 [29.44]	0.994 [25.25]	0.714 [18.14]	0.820 [20.80]
36	1.559 [39.61]	1.409 [35.79]	1.244 [31.60]	0.964 [24.49]	1.07 [27.10]
40	1.659 [42.15]	1.509 [38.33]	1.344 [34.14]	1.064 [27.03]	1.17 [29.70]



- Package Contents:**
- 4 ea - M2.5 Pozidriv® flat head self-tapping screws
 - 2 ea - Metal shell halves
 - 2 ea - Metal latches
 - 2 ea - Elastomer gasket
 - 1 ea - Shim (Aluminum)

	Inch [mm]		
	Tolerance Unless Noted		
	.0	.00	.000
Inch	±.1	±.01	±.005

[] Dimensions for Reference only

Notes:

1. Accepts 3M Part Number 101XX-6000 Connector and 90201/XX Pleated Foil Cable.
2. Use Pozidriv® screwdriver point size 1. Pozidriv® is a registered trademark of Phillips Screw Company.

Ordering Information

103XX - 1230 - 00

Contact Quantity (See Table)

TS-0655-B
Sheet 2 of 2

Important Notice

All statements, technical information, and recommendations related to 3M's products are based on information believed to be reliable, but the accuracy or completeness is not guaranteed. Before using this product, you must evaluate it and determine if it is suitable for your intended application. You assume all risks and liability associated with such use. Any statements related to the product which are not contained in 3M's current publications, or any contrary statements contained on your purchase order shall have no force or effect unless expressly agreed upon, in writing, by an authorized officer of 3M.

Warranty; Limited Remedy; Limited Liability.

This product will be free from defects in material and manufacture for a period of one (1) year from the time of purchase. **3M MAKES NO OTHER WARRANTIES INCLUDING, BUT NOT LIMITED TO, ANY IMPLIED WARRANTY OF MERCHANTABILITY OR FITNESS FOR A PARTICULAR PURPOSE.** If this product is defective within the warranty period stated above, your exclusive remedy shall be, at 3M's option, to replace or repair the 3M product or refund the purchase price of the 3M product. **Except where prohibited by law, 3M will not be liable for any indirect, special, incidental or consequential loss or damage arising from this 3M product, regardless of the legal theory asserted.**

**3M Electronics Solutions Division**

6801 River Place Blvd.
Austin, TX 78726-9000
U.S.A.
1-800-225-5373
www.3Mconnector.com

Please recycle. Printed in USA.
© 3M 2010. All rights reserved.
RIA-2217B-E

3M is a trademark of 3M Company.

Компания «Life Electronics» занимается поставками электронных компонентов импортного и отечественного производства от производителей и со складов крупных дистрибьюторов Европы, Америки и Азии.

С конца 2013 года компания активно расширяет линейку поставок компонентов по направлению коаксиальный кабель, кварцевые генераторы и конденсаторы (керамические, пленочные, электролитические), за счёт заключения дистрибьюторских договоров

Мы предлагаем:

- Конкурентоспособные цены и скидки постоянным клиентам.
- Специальные условия для постоянных клиентов.
- Подбор аналогов.
- Поставку компонентов в любых объемах, удовлетворяющих вашим потребностям.
- Приемлемые сроки поставки, возможна ускоренная поставка.
- Доставку товара в любую точку России и стран СНГ.
- Комплексную поставку.
- Работу по проектам и поставку образцов.
- Формирование склада под заказчика.
- Сертификаты соответствия на поставляемую продукцию (по желанию клиента).
- Тестирование поставляемой продукции.
- Поставку компонентов, требующих военную и космическую приемку.
- Входной контроль качества.
- Наличие сертификата ISO.

В составе нашей компании организован Конструкторский отдел, призванный помогать разработчикам, и инженерам.

Конструкторский отдел помогает осуществить:

- Регистрацию проекта у производителя компонентов.
- Техническую поддержку проекта.
- Защиту от снятия компонента с производства.
- Оценку стоимости проекта по компонентам.
- Изготовление тестовой платы монтаж и пусконаладочные работы.



Тел: +7 (812) 336 43 04 (многоканальный)

Email: org@lifeelectronics.ru