

Commercial/Medical International + Linears

Commercial



Medical



FEATURES

- World-wide ac input ranges and safety standards
- Industry standard packages
- Commercial UL/CSA TUV/IEC approved—68 models to UL1950; CSA C22.2 No. 950 L3; TUV certified to EN60950
- Burn-in with cycling; 3-year warranty
- Capacitors have highest CV & ripple current ratings
- Medical Approved to UL2601-1, IEC60601-1 and CSA601.1

SPECIFICATIONS:

Ac Input

100, 120 and 240 Vac: +10%, -13%; 215 Vac: +12%, -11%; 47 to 63Hz. Tolerance for 230 Vac operation is +15%, -10%. Derate output current 10% for 50 Hz operation.

Dc Output

See voltage rating chart. Adjustment range $\pm 5\%$ minimum except HA series.

Line Regulation

$\pm 0.05\%$ for a 10% change.

Load Regulation

$\pm 0.05\%$ for a 50% load change.

Output Ripple

3 mV +0.05% of output voltage, peak to peak maximum. All "3-terminal regulator" outputs: 3 mV +0.2% peak to peak maximum.

Transient Response

<50 microseconds for 50% load change.

Short Circuit Protection

Automatic current limit/foldback.

Overvoltage Protection

Built-in on all 5 V models, set at 6.2 V ± 0.4 V. Other models use optional overvoltage protection.

- Medical leakage current does not exceed 10 μA
- MTBF 200,000+ hours per Mil Handbk 217D (most units)
- All electrolytic caps rated at 105°C
- Transformer insulation meets Class F (155°C)
- Exceed FCC and CISPR22, Class B conducted emissions
- CE marked to LVD

Remote Sensing

Provided on all models; open sense lead protection built-in (except HA series).

Stability

$\pm 0.05\%$ for 24 hours after warmup.

Temperature Rating

0 to 50°C full rated, derated linearly to 40% at 70°C.

Temperature Coefficient

$\pm 0.01\%/^{\circ}\text{C}$ maximum.

Efficiency

5 V units: 45%; 12 and 15 V units: 55%; 20 and 24 V units: 60%.

Logic Inhibit and Current-Share

F & G models.

Medical Stock and Vibration

Per Mil-Std-810D, Method 514.3, Category 1, Procedure 1. Per Mil-Std-810D, Method 516.3, Procedure III.

Storage

-40 to +85 °C.



Commercial/Medical International + Linears

| Commercial Model (Single) | Medical Model | Voltage | Current | Case |
|---------------------------|---------------|---------|---------|------|
| HA2-1.5-A+ | | 2 V | 1.5 A | B |
| HB2-3-A+ | | 2 V | 3 A | B |
| HC2-6-A+ | | 2 V | 6 A | C |
| HN2-9-A+ | | 2 V | 9 A | N |
| HD2-12-A+ | | 2 V | 12 A | D |
| HE2-18-A+* | | 2 V | 18 A | E |
| | ML5-OV-A | 5 V | 1.0 A | L |
| HA5-1.5-OV-A+ | | 5 V | 1.5 A | B |
| HB5-3-OV-A+ | MB5-3-OV-A | 5 V | 3 A | B |
| HC5-6-OV-A+ | MC5-6-OV-A | 5 V | 6 A | C |
| HN5-9-OV-A+ | | 5 V | 9 A | N |
| HD5-12-OV-A+ | MD5-12-OV-A | 5 V | 12 A | D |
| HE5-18-OV-A+* | | 5 V | 18 A | E |
| F5-25-OV-A+* | | 5 V | 25 A | F |
| G5-35-OV-A+* | | 5 V | 35 A | G |
| CP197-A+* | | 5 V | 50 A | G |
| | ML12-0.5-A | 12 V | 0.5 A | L |
| HA15-0.9-A+ (12 V) | | 12 V | 0.9 A | B |
| HB12-1.7-A+ | MB12-1.7-A | 12 V | 1.7 A | B |
| HC12-3.4-A+ | MC12-3.4-A | 12 V | 3.4 A | C |
| HN12-5.1-A+ | | 12 V | 5.1 A | N |
| HD12-6.8-A+ | MD12-6.8-A | 12 V | 6.8 A | D |
| HE12-10-2-A+* | | 12 V | 10.2 A | E |
| F15-15-A+* (12V) | | 12 V | 16 A | F |
| | ML15-0.4-A | 15 V | .4 A | L |
| HA15-0.9-A+ | | 15 V | 0.9 A | B |
| HB15-1.5-A+ | MB15-1.5-A | 15 V | 1.5 A | B |
| HC15-3-A+ | MC15-3-A | 15 V | 3 A | C |
| HN15-4.5-A+ | | 15 V | 4.5 A | N |
| HD15-6-A+ | MD15-6-A | 15 V | 6 A | D |
| HE15-9-A+* | | 15 V | 9 A | E |
| F15-15-A+* | | 15 V | 15 A | F |
| | ML24-0.28-A | 24 V | .28 A | L |
| HA24-0.5-A+ | | 24 V | 0.5 A | B |
| HB24-1.2-A+ | MB24-1.2-A | 24 V | 1.2 A | B |
| HC24-2.4-A+ | MC24-2.4-A | 24 V | 2.4 A | C |
| HN24-3.6-A+ | | 24 V | 3.6 A | N |
| HD24-4.8-A+ | MD-24-4.8-A | 24 V | 4.8 A | D |
| HE24-7.2-A+* | | 24 V | 7.2 A | E |
| F24-12-A+* | | 24 V | 12 A | F |
| HA24-0.5-A+ (28V) | | 28 V | 0.5 A | B |
| HB28-1-A+ | MB28-1-A | 28 V | 1 A | B |
| HC28-2-A+ | MC28-2-A | 28 V | 2 A | C |
| HN28-3-A+ | | 28 V | 3 A | N |
| HD28-4-A+ | MD28-4-A | 28 V | 4 A | D |
| HE28-6-A+* | | 28 V | 6 A | E |
| F24-12-A+* (28V) | | 28 V | 10 A | F |
| HB48-0.5-A+ | | 48 V | 0.5 A | B |
| HC48-1-A+ | | 48 V | 1 A | C |
| HD48-3-A+** | | 48 V | 3 A | D |
| HE48-4-A+* | | 48 V | 4 A | E |
| F48-6-A+* | | 48 V | 6 A | F |

Commercial/Medical International + Linears

| Commercial Model (Dual) | Medical Model | Output 1 | Output 2 | Case |
|-------------------------|---------------|--------------------------|---------------------------|------|
| HAA5-1.5-OV-A+ | | 5 V@ 1.5 A | 5 V@ 1.5 A | AA |
| HBB5-3-OV-A+ | | 5 V@ 3 A | 5 V@ 3 A | BB |
| HCC5-6-OV-A+ | | 5 V@ 6 A | 5 V@ 6 A | CC |
| HAA512-A+ | MAA512-A | 5 V@ 2 A | 9-15 V@ 0.5 A | AA |
| HBB512-A+ | MBB512-A | 5 V@ 3 A | 9-15 V@ 1.2 A | BB |
| HCC512-A+* | MCC512-A | 5 V@ 6 A | 9-15 V@ 2.5 A | CC |
| HAA524-A+** | MAA524-A | 5 V@ 2 A | 18-24 V@ 0.3 A | AA |
| HBB524-A+ | MBB524-A | 5 V@ 3 A | 18-24 V@ 0.8 A | BB |
| HCC524-A+ | MCC524-A | 5 V@ 6 A | 18-24 V@ 2 A | CC |
| HAD12-0.4-A+ | | +12 V@ 0.4 A | -12 V@ 0.4 A | B |
| | MLL12-0.25-A | +12 V @ 0.25 A | -12 V @ 0.25 A | L |
| | MLL15-0.2-A | +/-15 V @ 0.2 A | -15 V @ 0.020 A | L |
| HAD15-0.4-A+ | | +15 V@ 0.4 A | -15 V@ 0.4 A | B |
| HAA15-0.8-A+ | MAA15-0.8-A | +12 to 15 V@ 1 A/0.8 A | -12 to -15 V@ 1 A/0.8 A | AA |
| HBB15-1.5-A+ | MBB15-1.5-A | +12 to 15 V@ 1.7A/1.5 A | -12 to -15 V@ 1.7 A/1.5 A | BB |
| HCC15-3-A+ | MCC15-3-A | +12 to 15 V@ 3.4 A/3 A | -12 to -15 V@ 3.4 A/3 A | CC |
| HDD15-5-A+* | | +12 to 15 V@ 5 A | -12 to -15 V@ 5 A | E |
| HAA24-0.6-A+ | | +18 to 24 V@ 0.4 A/0.6 A | -18 to -24 V@ .04 A/0.6 A | AA |

**May require fan cooling.

| Commercial Model (Triple) | Medical Model | Output 1 | Output 2 | Output 3 | Case |
|---------------------------|---------------|-------------------|------------------------|---------------------------|------|
| | MTLL-5W-A | 5 V@ 0.5 A | +12 to 15 V@ 0.1 A | -12 to 15V@ 0.1 A*** | L |
| HTAA-16W-A+ | MTAA-16W-A | 5 V@ 2 A | +12 to 15 V@ 0.4/0.4 A | -12 to 15V@ 0.4/0.4A*** | AA |
| HBAA40W-A+ | MBAA-40W-A | 5 V@ 3 A | +12 to 15 V@ 1/0.8 A | -12 to 15V@ 1/0.8A*** | BAA |
| HCBB105W-A+** | | 5 V@ 3 A | +12 to 15 V@ 3.4/3.0 A | -12 to 15 V@ 3.4/3 A*** | CBB |
| HCAA60W-A+ | MCAA60W-A | 5 V@ 6 A | +12 to 15 V@ 1/0.8 A | -12 to 15 V@ 1/0.8 A*** | D |
| HCBB75-W-A+ | MCBB75W-A | 5 V@ 6 A | +12 to 15 V@ 1.7/1.5 A | -12 to 15 V@ 1.7/1.5 A*** | CBB |
| CP131-A+ | | 5 V@ 8 A | +12 to 15 V@ 1.7/1.5 A | -12 to 15 V@ 1.7/1.5 A*** | NBB |
| CP206-A+ | | 24 V, 3 A (3.5PK) | 5 V, 3 A | 5 V, 1 A | CBB |
| CP323-A+ | | 5 V @ 2 A | 12 V @ 4 A | N/A | BB |
| HDBB105W-A+* | | 5 V@ 12 A | +12 to 15 V@ 1.7/1.5 A | -12 to 15 V@ 1.7/1.5 A*** | DBB |
| HDCC150W-A+* | | 5 V@ 12 A | +12 to 15 V@ 3.4/3 A | -12 to 15 V@ 3.4/3 A*** | DCC |

*Requires fan cooling.

**May require fan cooling.

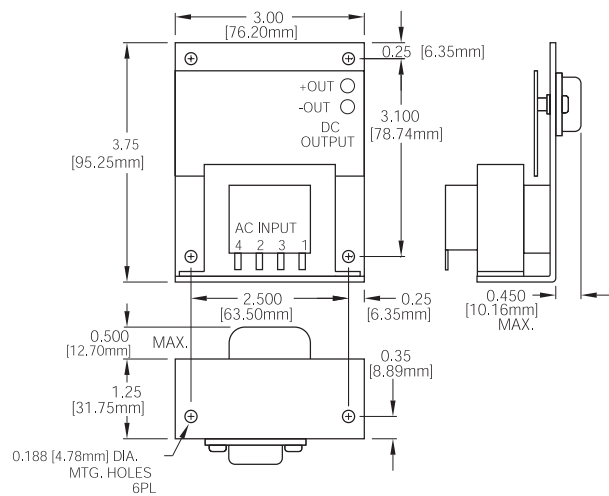
***No. 3 output usable at -5V, rate at 1/2 of 15V current rating.

FIXED DISK SERIES

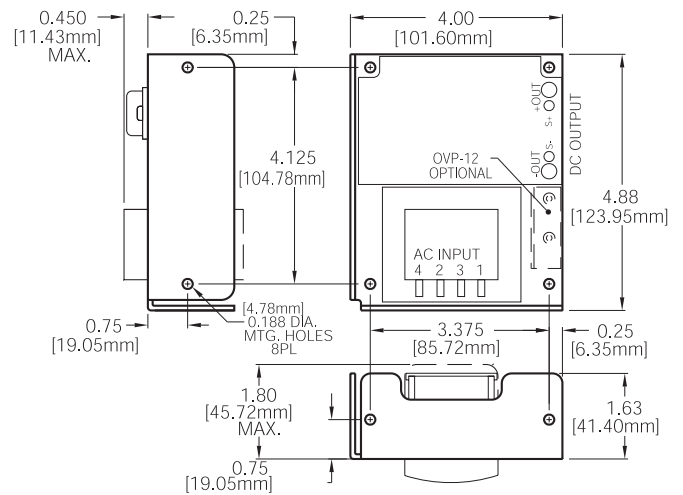
| Commercial Model | Output 1 | Output 2 | Output 3 | Case |
|------------------|----------|------------------|-------------------|------|
| CP379-A+ | +5 V@6 A | +24 V@3.5/6 A PK | -5 or -12 V@1.2 A | NBB |
| CP498-A+ | +5 V@6 A | +12 V@5/10 A PK | -12 V@0.5 A | NBB |

International + Linears

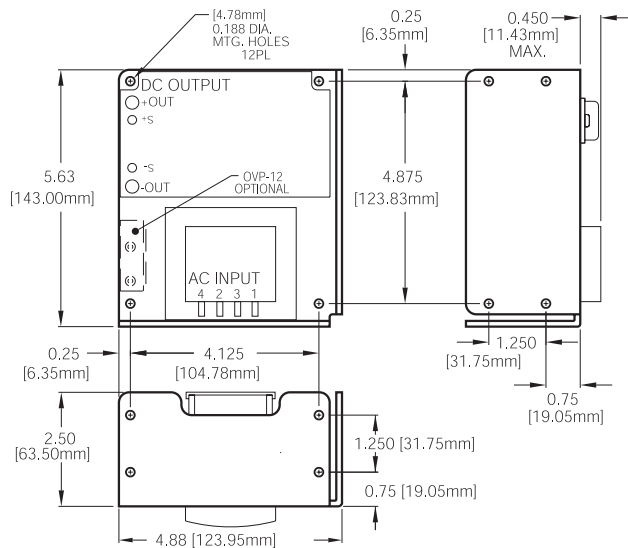
INTERNATIONAL + LINEARS MECHANICAL SPECIFICATIONS:



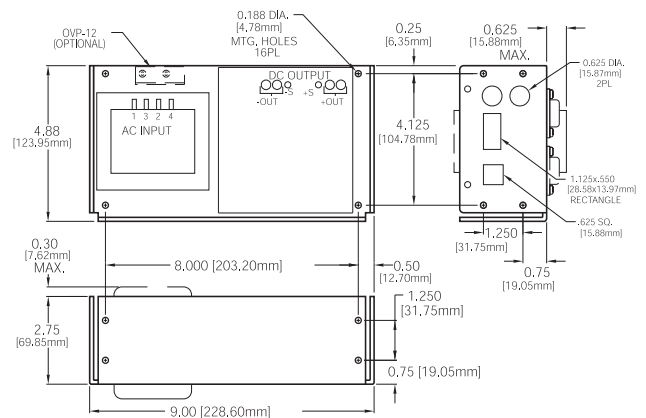
A CASE (WT. 1 LB.)



B CASE (WT. 2 LB.)



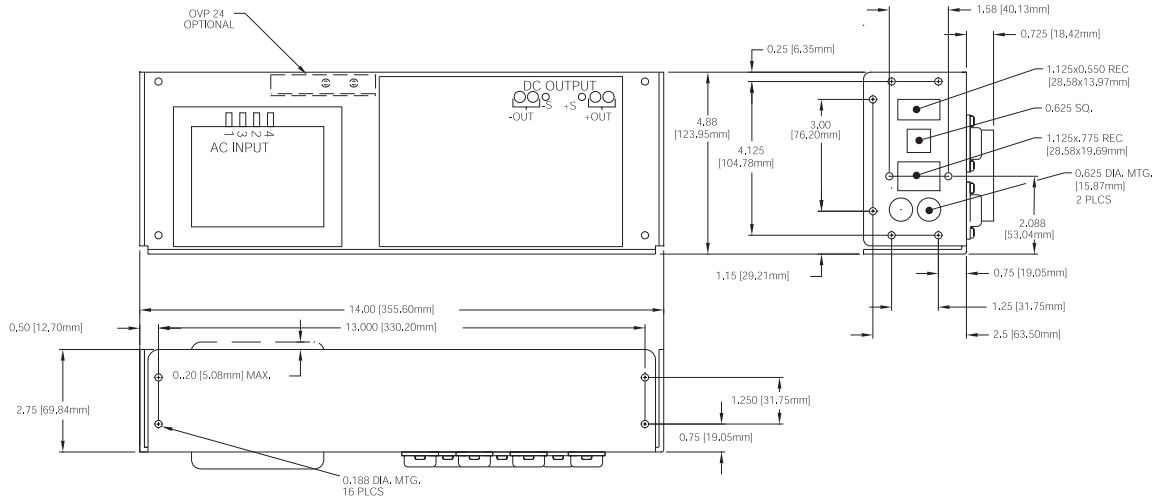
C CASE (WT. 4 LB.)



D CASE (WT. 7.5 LB.)

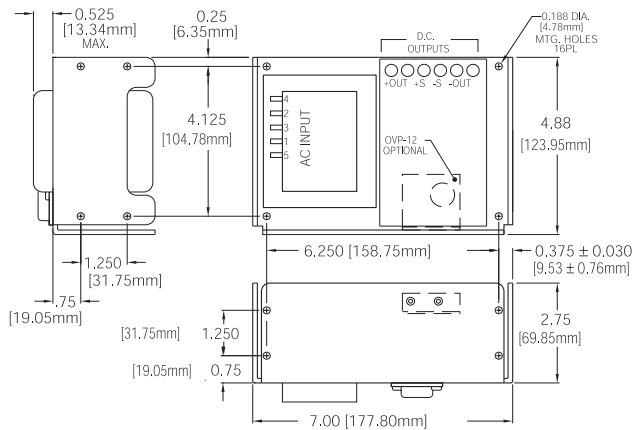
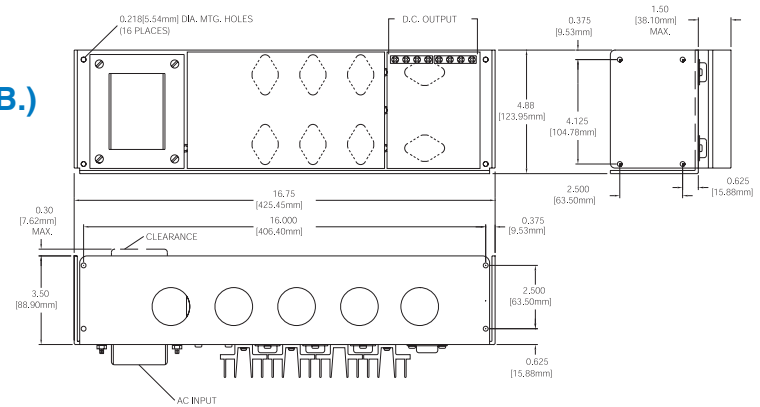
International + Linears

INTERNATIONAL + LINEARS MECHANICAL SPECIFICATIONS:

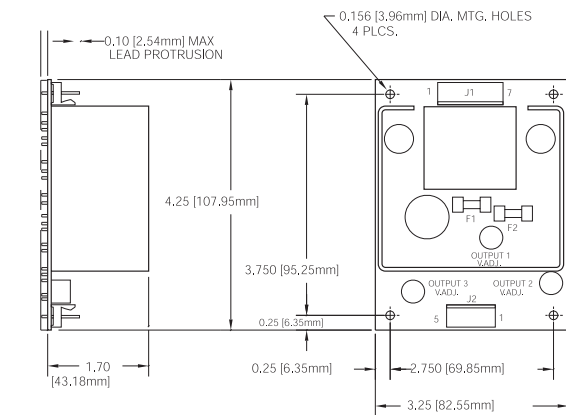


E CASE (WT. 10 LB.)

**F CASE (WT. F5: 14 LB.; F15, 24: 18 LB.)
G CASE (WT. G5: 19 LB.)**



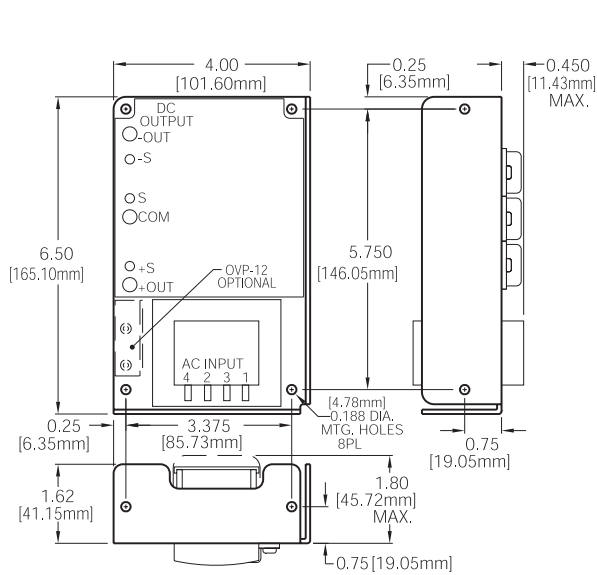
N CASE (WT. 7 LB.)



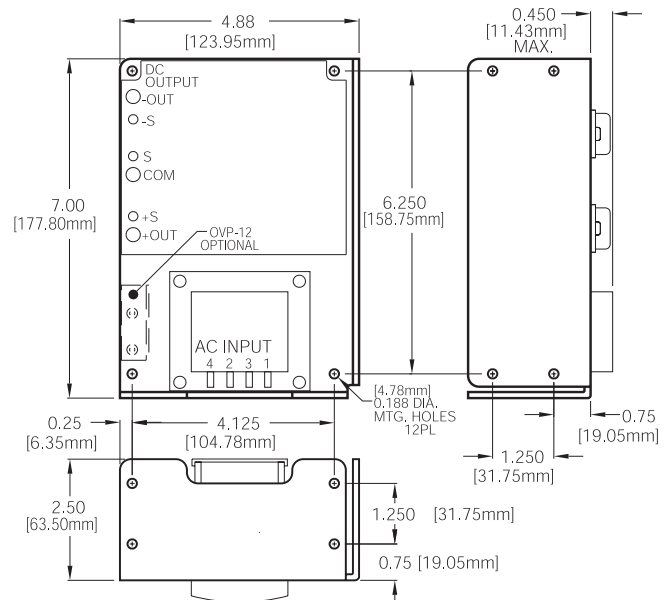
L CASE (WT. 1 LB.)

International + Linears

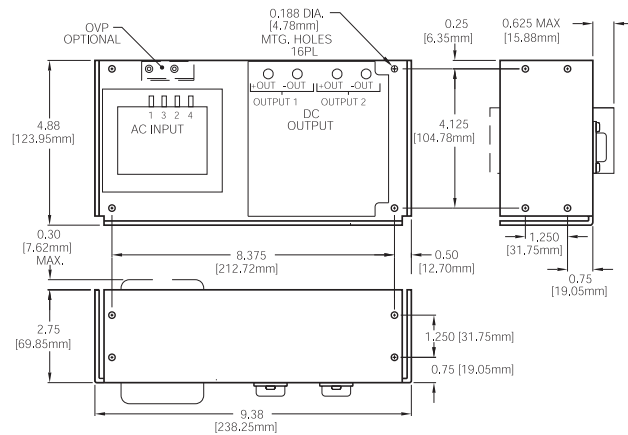
INTERNATIONAL + LINEARS MECHANICAL SPECIFICATIONS:



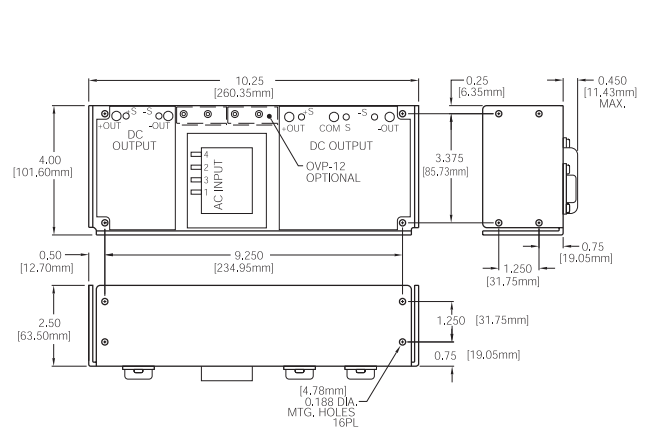
AA CASE (WT. 2 LB.)



BB CASE (WT. 4 LB.)



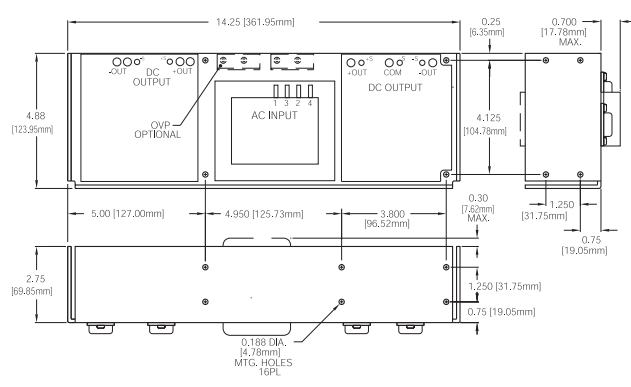
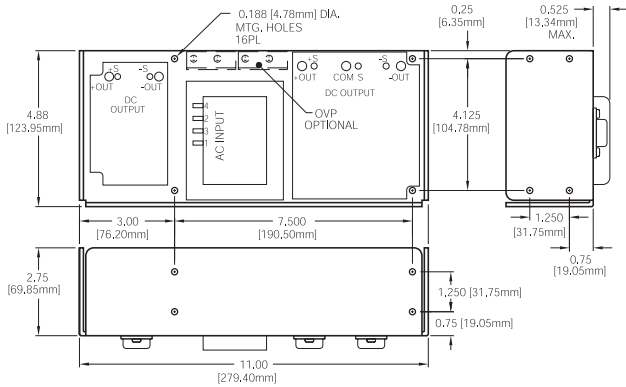
CC CASE (WT. 7 LB.)



BAA CASE (WT. 5 LB.)

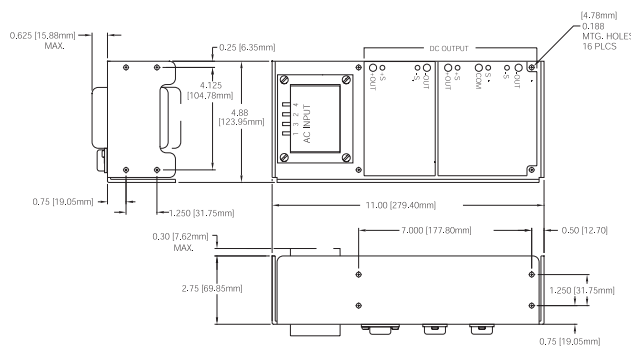
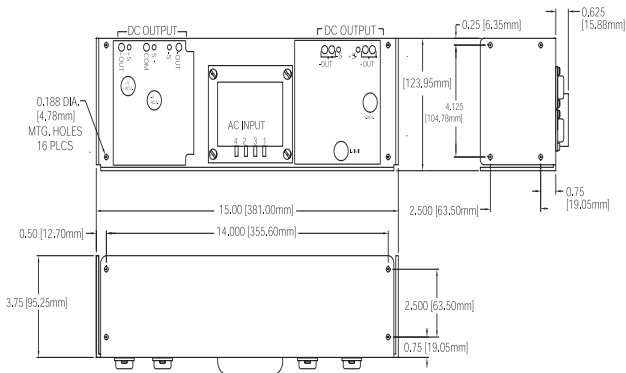
International + Linears

INTERNATIONAL + LINEARS MECHANICAL SPECIFICATIONS:



CBB CASE (WT. 8 LBS.)

DBB CASE (WT. 11 LBS.)



DCC CASE (WT. 12 LBS.)

NBB CASE (WT. 12 LBS.)

Компания «Life Electronics» занимается поставками электронных компонентов импортного и отечественного производства от производителей и со складов крупных дистрибьюторов Европы, Америки и Азии.

С конца 2013 года компания активно расширяет линейку поставок компонентов по направлению коаксиальный кабель, кварцевые генераторы и конденсаторы (керамические, пленочные, электролитические), за счёт заключения дистрибьюторских договоров

Мы предлагаем:

- Конкурентоспособные цены и скидки постоянным клиентам.
- Специальные условия для постоянных клиентов.
- Подбор аналогов.
- Поставку компонентов в любых объемах, удовлетворяющих вашим потребностям.
- Приемлемые сроки поставки, возможна ускоренная поставка.
- Доставку товара в любую точку России и стран СНГ.
- Комплексную поставку.
- Работу по проектам и поставку образцов.
- Формирование склада под заказчика.
- Сертификаты соответствия на поставляемую продукцию (по желанию клиента).
- Тестирование поставляемой продукции.
- Поставку компонентов, требующих военную и космическую приемку.
- Входной контроль качества.
- Наличие сертификата ISO.

В составе нашей компании организован Конструкторский отдел, призванный помогать разработчикам, и инженерам.

Конструкторский отдел помогает осуществить:

- Регистрацию проекта у производителя компонентов.
- Техническую поддержку проекта.
- Защиту от снятия компонента с производства.
- Оценку стоимости проекта по компонентам.
- Изготовление тестовой платы монтаж и пусконаладочные работы.



Тел: +7 (812) 336 43 04 (многоканальный)

Email: org@lifeelectronics.ru