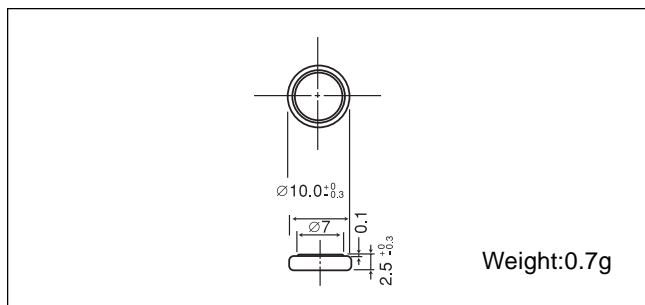


Manganese Dioxide Lithium Coin Batteries: Individual Specifications

CR1025

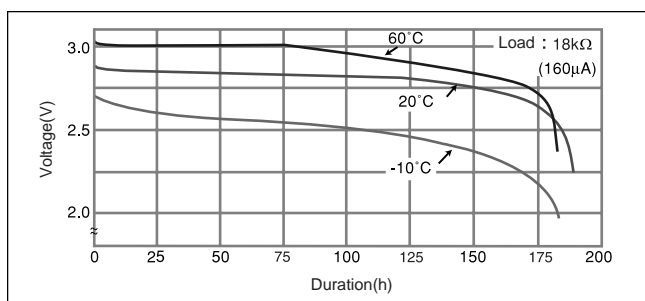
■ Dimensions(mm)



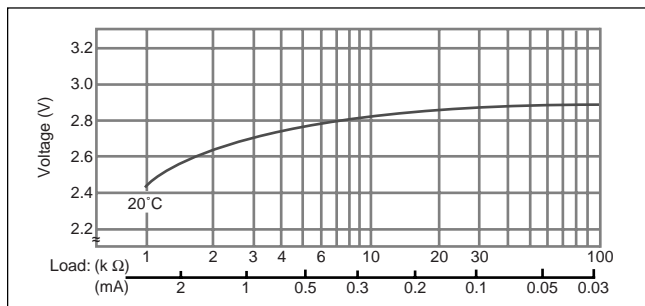
■ Specification

Nominal voltage (V)	3
Nominal capacity (mAh)	30
Continuous standard load (mA)	0.1
Operating temperature (C)	-30 ~ +60

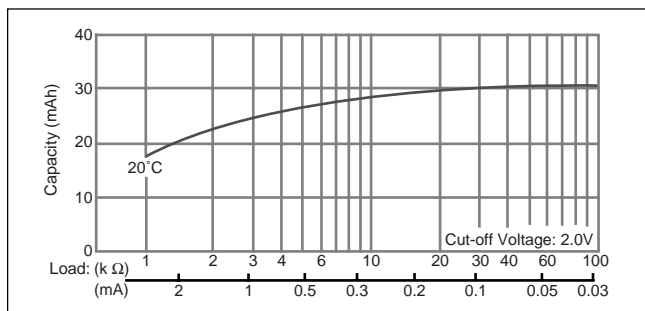
■ Temperature Characteristics



■ Operating voltage vs. load resistance (voltage at 50% discharge depth)

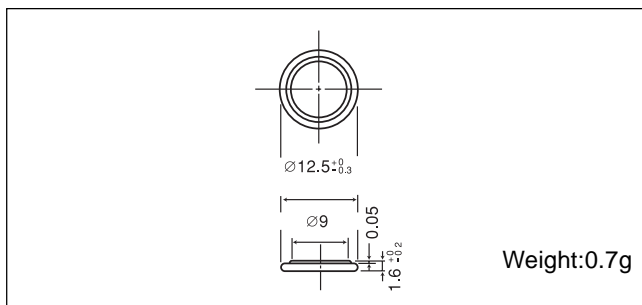


■ Capacity vs. load resistance



CR1216

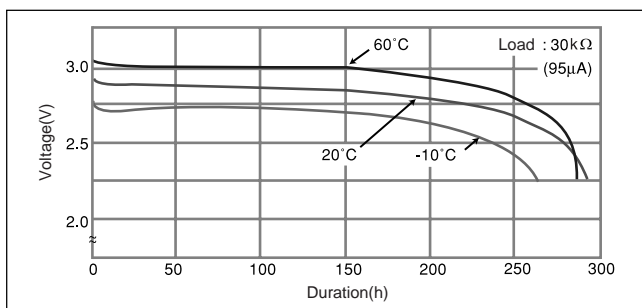
■ Dimensions(mm)



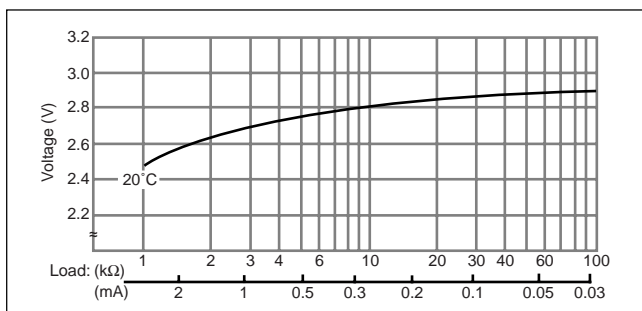
■ Specification

Nominal voltage (V)	3
Nominal capacity (mAh)	25
Continuous standard load (mA)	0.1
Operating temperature (C)	-30 ~ +60

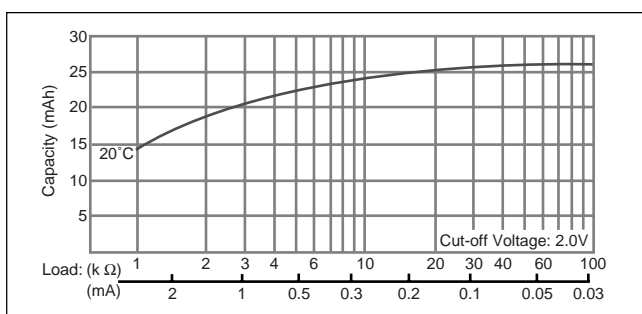
■ Temperature Characteristics



■ Operating voltage vs. load resistance (voltage at 50% discharge depth)



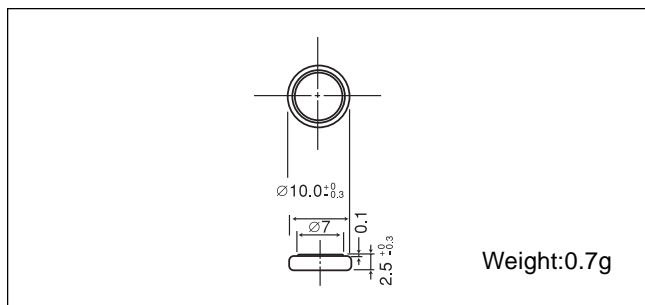
■ Capacity vs. load resistance



Manganese Dioxide Lithium Coin Batteries: Individual Specifications

CR1025

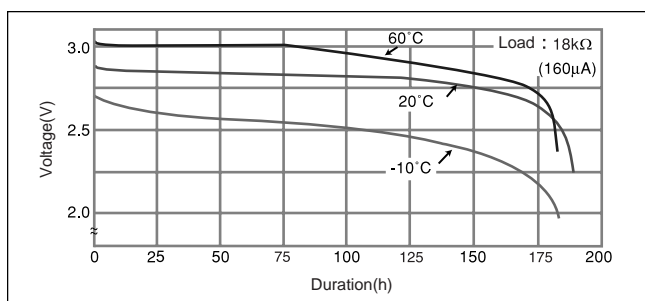
■ Dimensions(mm)



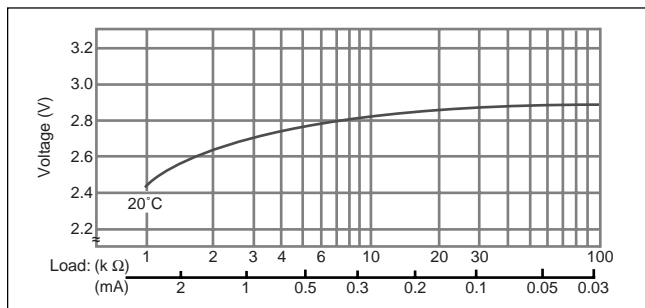
■ Specification

Nominal voltage (V)	3
Nominal capacity (mAh)	30
Continuous standard load (mA)	0.1
Operating temperature (C)	-30 ~ +60

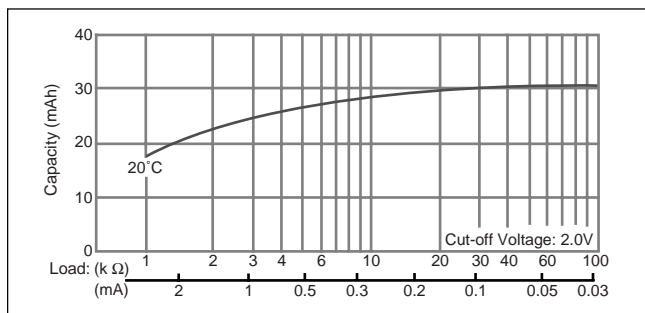
■ Temperature Characteristics



■ Operating voltage vs. load resistance (voltage at 50% discharge depth)

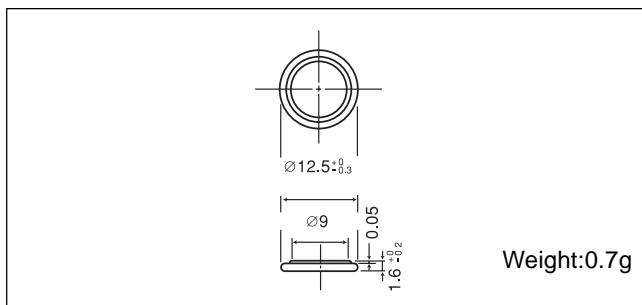


■ Capacity vs. load resistance



CR1216

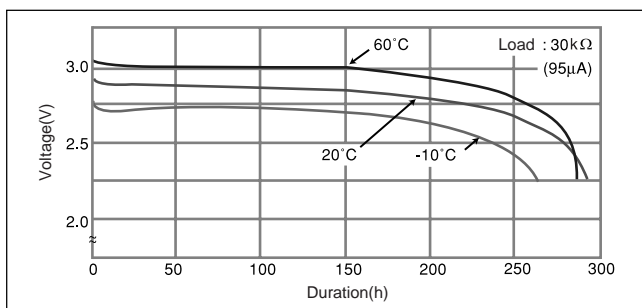
■ Dimensions(mm)



■ Specification

Nominal voltage (V)	3
Nominal capacity (mAh)	25
Continuous standard load (mA)	0.1
Operating temperature (C)	-30 ~ +60

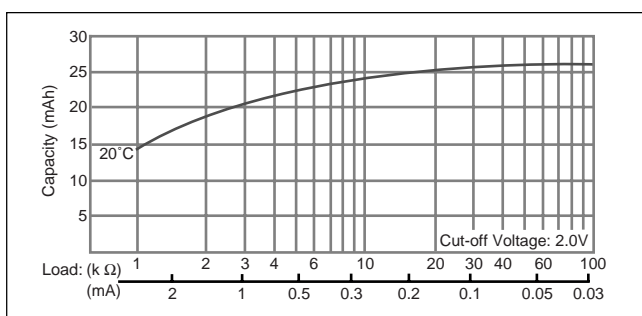
■ Temperature Characteristics



■ Operating voltage vs. load resistance (voltage at 50% discharge depth)



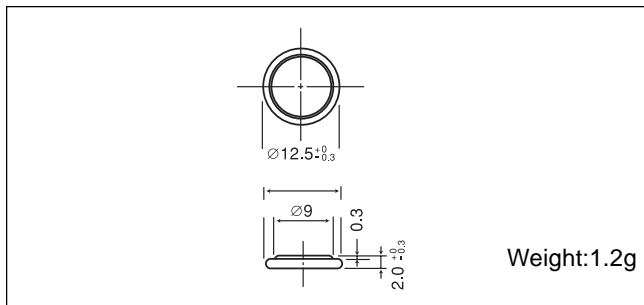
■ Capacity vs. load resistance



Manganese Dioxide Lithium Coin Batteries: Individual Specifications

CR1220

■ Dimensions(mm)



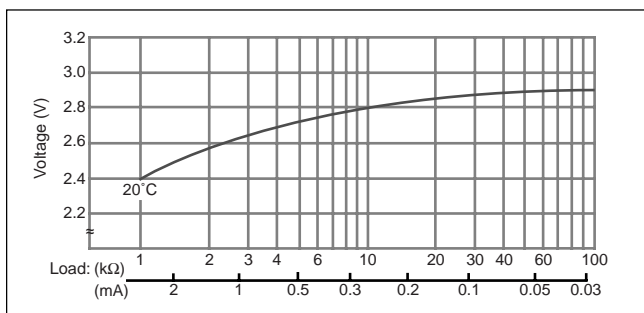
■ Specification

Nominal voltage (V)	3
Nominal capacity (mAh)	35
Continuous standard load (mA)	0.1
Operating temperature (C)	-30 ~ +60

■ Temperature Characteristics



■ Operating voltage vs. load resistance (voltage at 50% discharge depth)

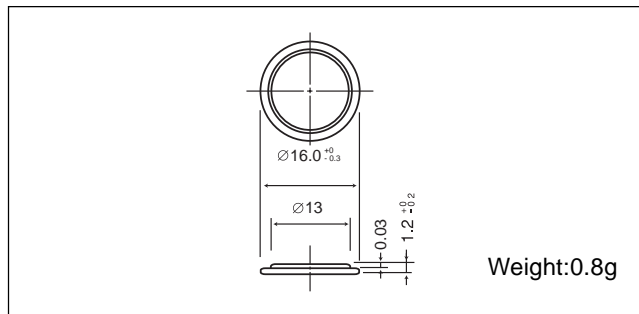


■ Capacity vs. load resistance



CR1612

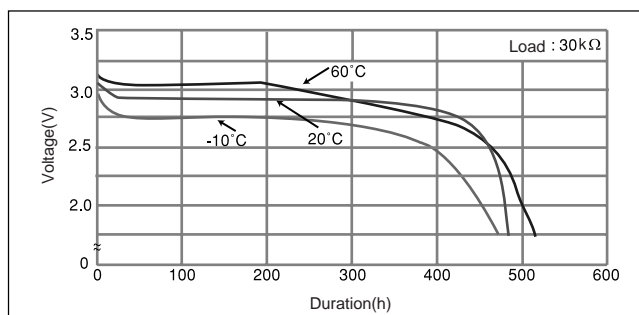
■ Dimensions(mm)



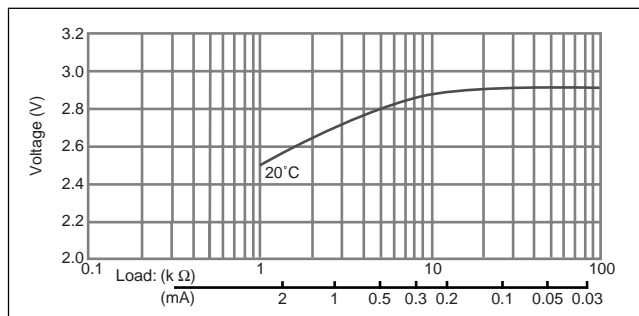
■ Specification

Nominal voltage (V)	3
Nominal capacity (mAh)	40
Continuous standard load (mA)	0.1
Operating temperature (C)	-30 ~ +60

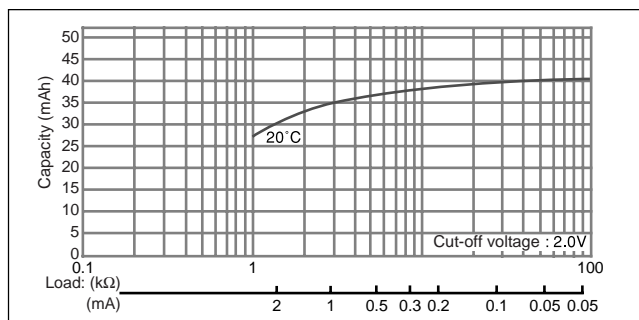
■ Temperature Characteristics



■ Operating voltage vs. load resistance (voltage at 50% discharge depth)



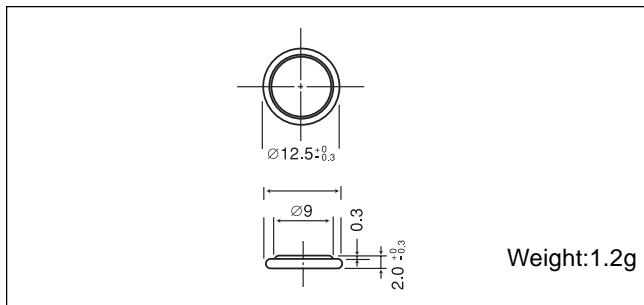
■ Capacity vs. load resistance



Manganese Dioxide Lithium Coin Batteries: Individual Specifications

CR1220

■ Dimensions(mm)



■ Specification

Nominal voltage (V)	3
Nominal capacity (mAh)	35
Continuous standard load (mA)	0.1
Operating temperature (C)	-30 ~ +60

■ Temperature Characteristics



■ Operating voltage vs. load resistance (voltage at 50% discharge depth)



■ Capacity vs. load resistance



CR1612

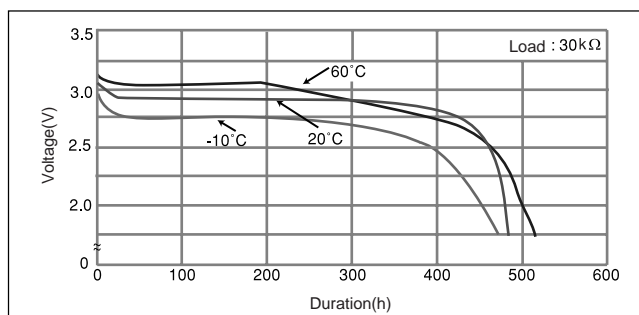
■ Dimensions(mm)



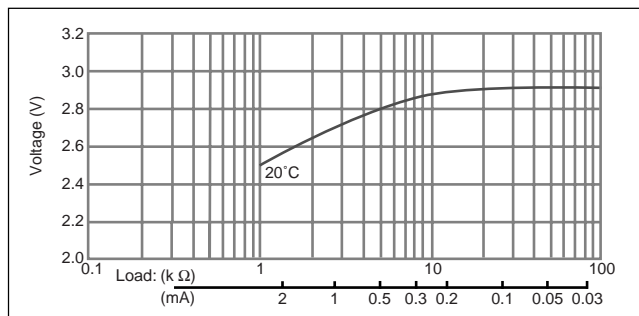
■ Specification

Nominal voltage (V)	3
Nominal capacity (mAh)	40
Continuous standard load (mA)	0.1
Operating temperature (C)	-30 ~ +60

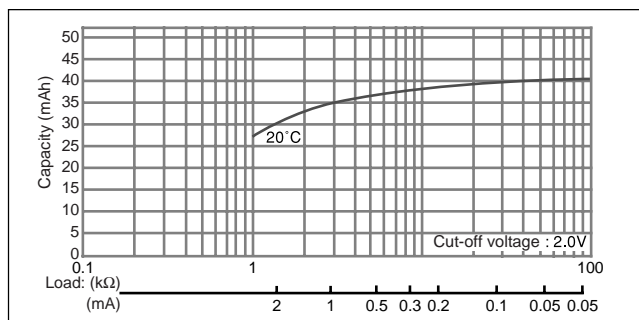
■ Temperature Characteristics



■ Operating voltage vs. load resistance (voltage at 50% discharge depth)



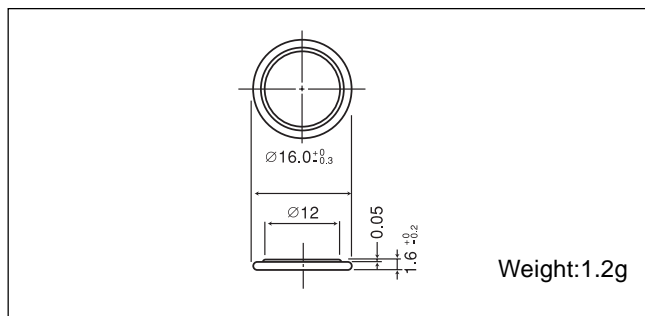
■ Capacity vs. load resistance



Manganese Dioxide Lithium Coin Batteries: Individual Specifications

CR1616

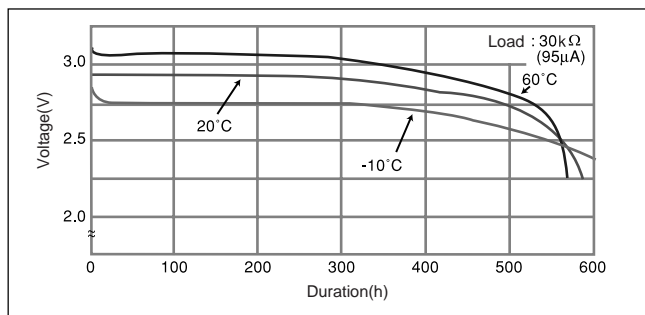
■ Dimensions(mm)



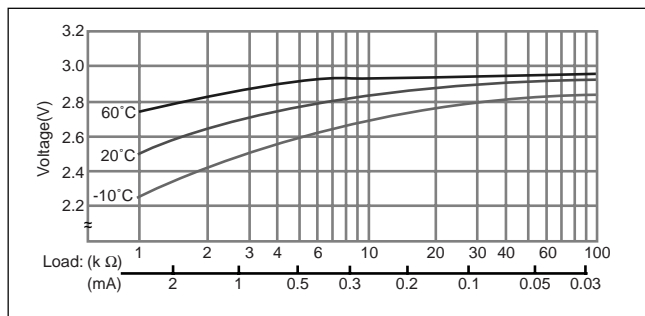
■ Specification

Nominal voltage (V)	3
Nominal capacity (mAh)	55
Continuous standard load (mA)	0.1
Operating temperature (C)	-30 ~ +60

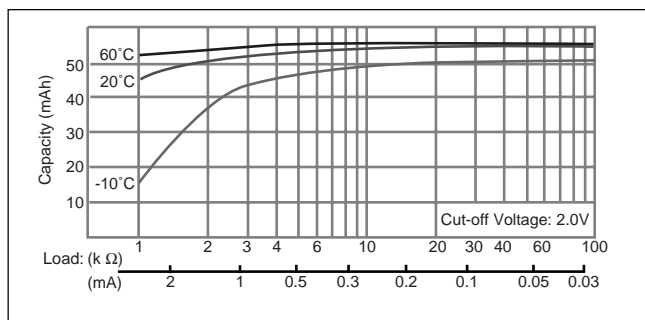
■ Temperature Characteristics



■ Operating voltage vs. load resistance (voltage at 50% discharge depth)

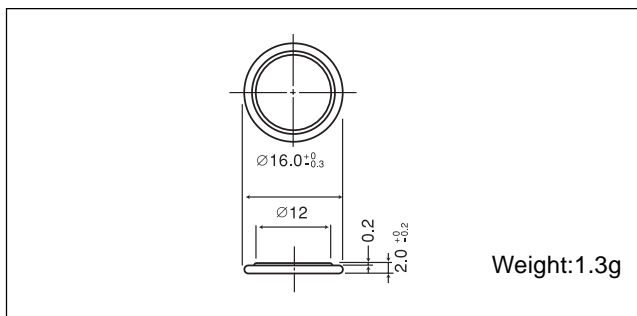


■ Capacity vs. load resistance



CR1620

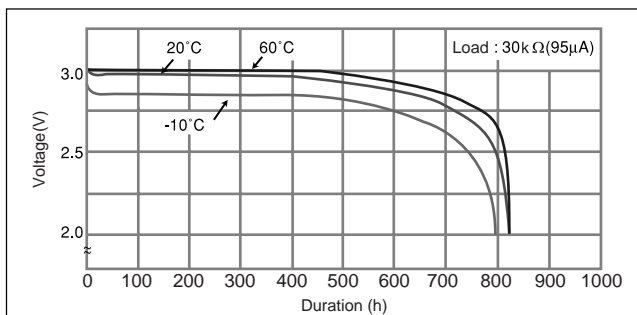
■ Dimensions(mm)



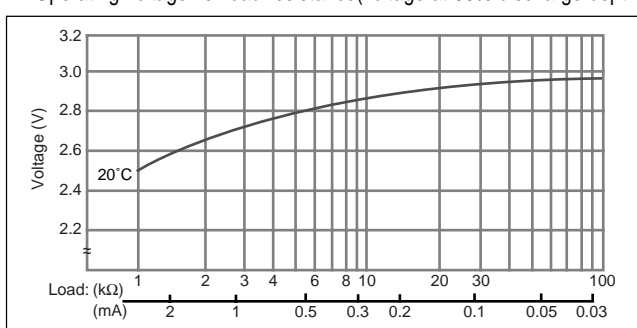
■ Specification

Nominal voltage (V)	3
Nominal capacity (mAh)	75
Continuous standard load (mA)	0.1
Operating temperature (C)	-30 ~ +60

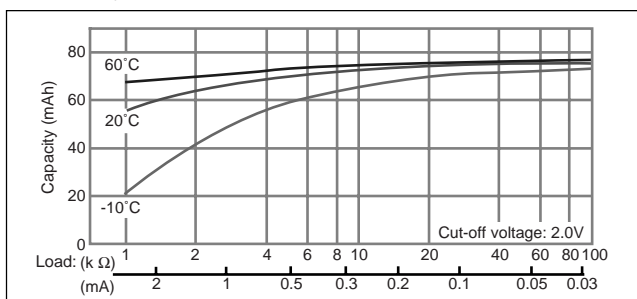
■ Temperature Characteristics



■ Operating voltage vs. load resistance (voltage at 50% discharge depth)



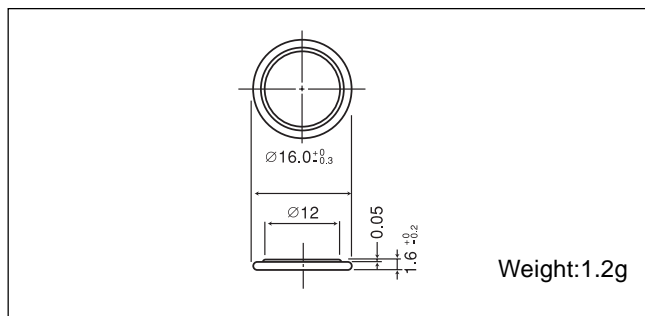
■ Capacity vs. load resistance



Manganese Dioxide Lithium Coin Batteries: Individual Specifications

CR1616

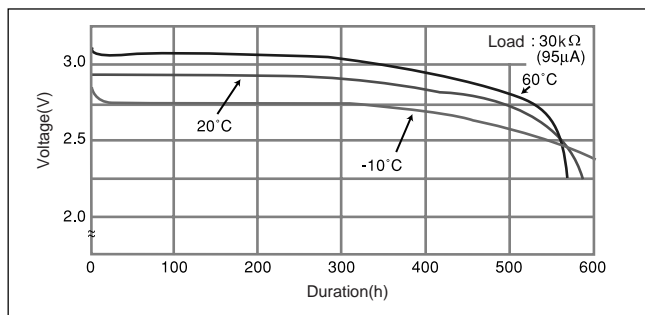
■ Dimensions(mm)



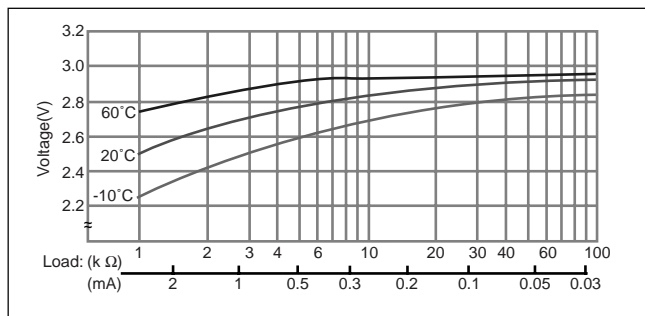
■ Specification

Nominal voltage (V)	3
Nominal capacity (mAh)	55
Continuous standard load (mA)	0.1
Operating temperature (C)	-30 ~ +60

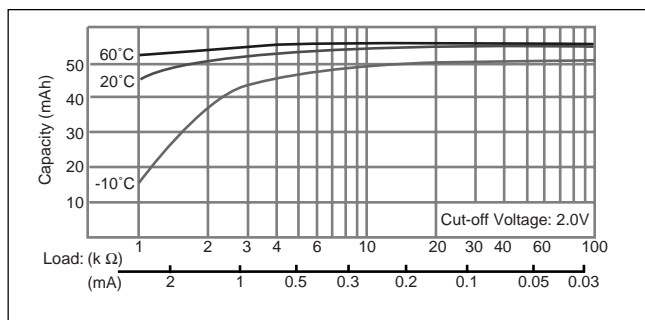
■ Temperature Characteristics



■ Operating voltage vs. load resistance (voltage at 50% discharge depth)

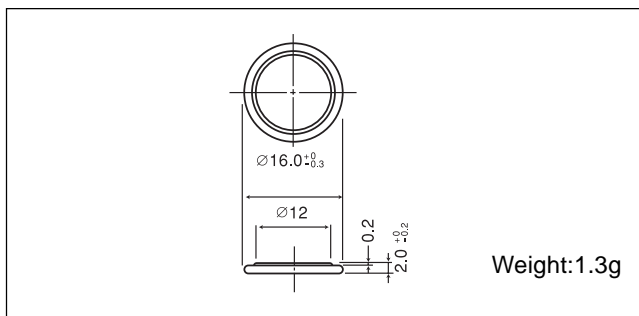


■ Capacity vs. load resistance



CR1620

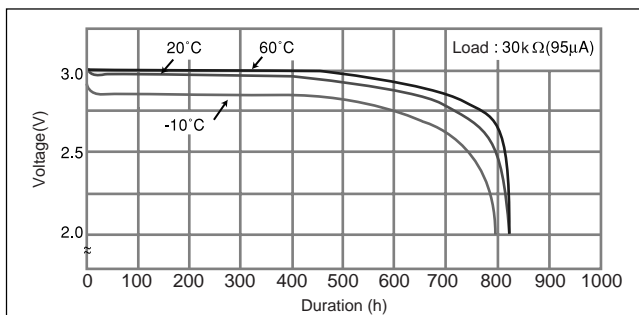
■ Dimensions(mm)



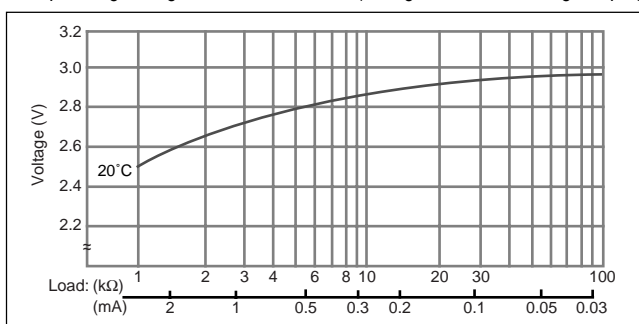
■ Specification

Nominal voltage (V)	3
Nominal capacity (mAh)	75
Continuous standard load (mA)	0.1
Operating temperature (C)	-30 ~ +60

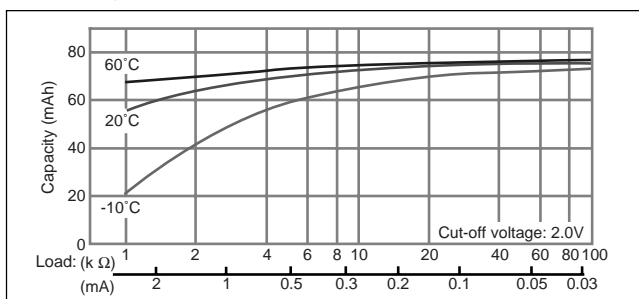
■ Temperature Characteristics



■ Operating voltage vs. load resistance (voltage at 50% discharge depth)



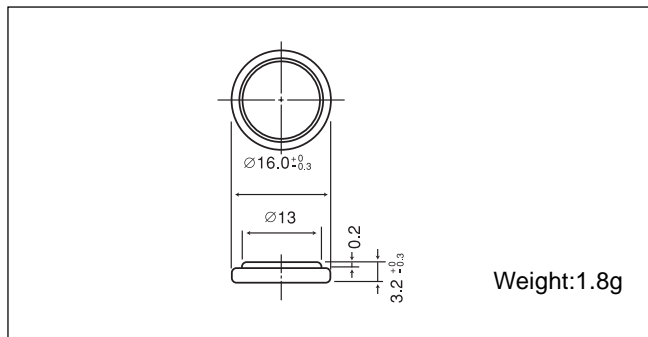
■ Capacity vs. load resistance



Manganese Dioxide Lithium Coin Batteries: Individual Specifications

CR1632

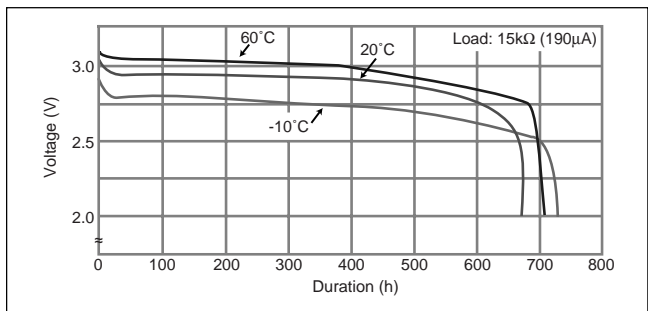
■ Dimensions(mm)



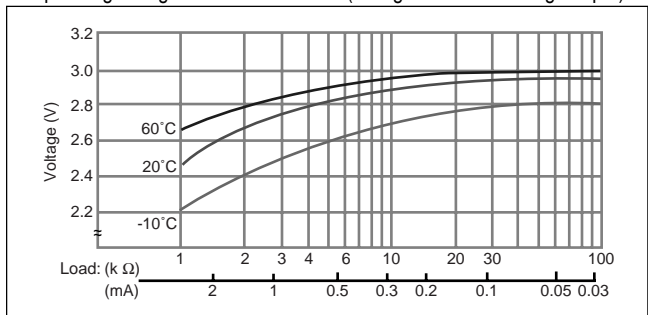
■ Specification

Nominal voltage (V)	3
Nominal capacity (mAh)	140
Continuous standard load (mA)	0.1
Operating temperature (C)	-30 ~ +60

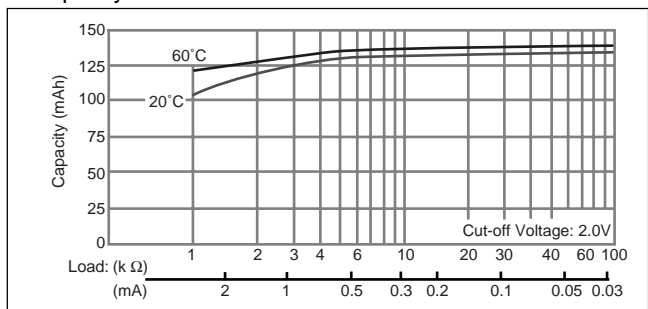
■ Temperature Characteristics



■ Operating voltage vs. load resistance (voltage at 50% discharge depth)



■ Capacity vs. load resistance



CR2012

■ Dimensions(mm)



■ Specification

Nominal voltage (V)	3
Nominal capacity (mAh)	55
Continuous standard load (mA)	0.1
Operating temperature (C)	-30 ~ +60

■ Temperature Characteristics



■ Operating voltage vs. load resistance (voltage at 50% discharge depth)



■ Capacity vs. load resistance



Manganese Dioxide Lithium Coin Batteries: Individual Specifications

CR2016

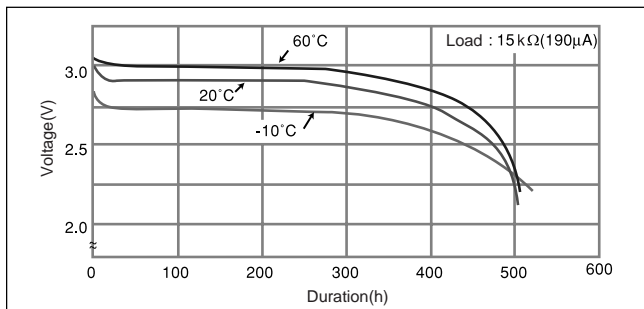
■ Dimensions(mm)



■ Specification

Nominal voltage (V)	3
Nominal capacity (mAh)	90
Continuous standard load (mA)	0.1
Operating temperature (C)	-30 ~ +60

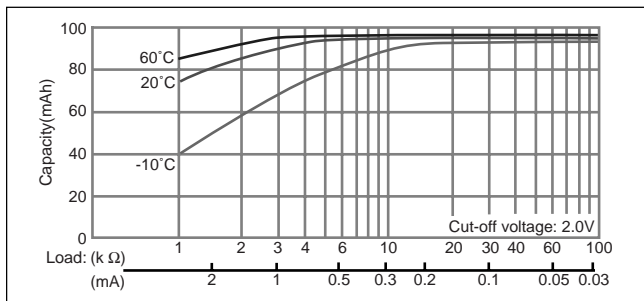
■ Temperature Characteristics



■ Operating voltage vs. load resistance (voltage at 50% discharge depth)

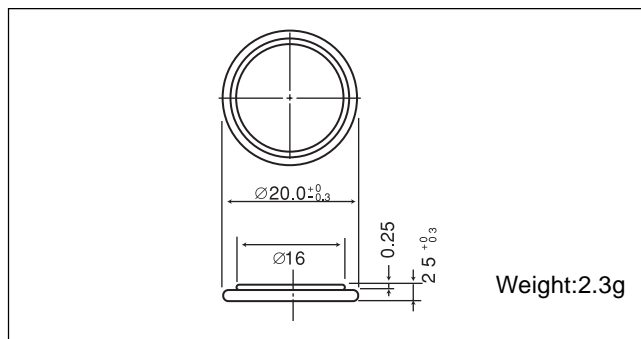


■ Capacity vs. load resistance



CR2025

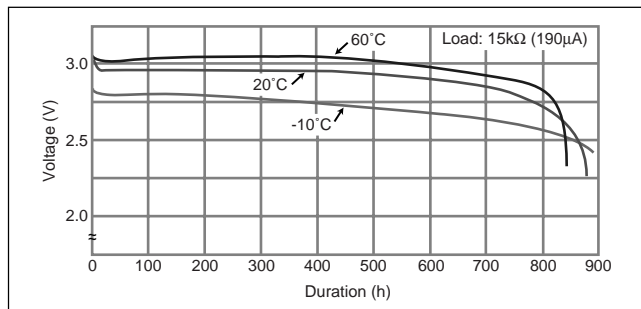
■ Dimensions(mm)



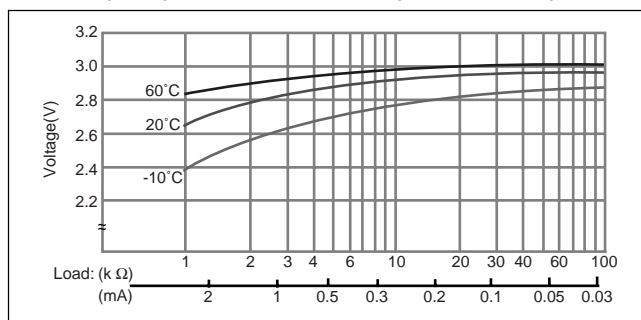
■ Specification

Nominal voltage (V)	3
Nominal capacity (mAh)	165
Continuous standard load (mA)	0.2
Operating temperature (C)	-30 ~ +60

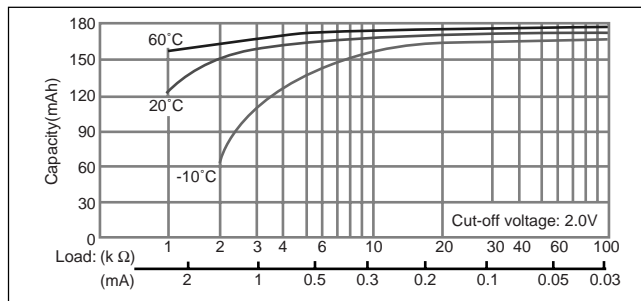
■ Temperature Characteristics



■ Operating voltage vs. load resistance (voltage at 50% discharge depth)



■ Capacity vs. load resistance



Manganese Dioxide Lithium Coin Batteries: Individual Specifications

CR2016

■ Dimensions(mm)



■ Specification

Nominal voltage (V)	3
Nominal capacity (mAh)	90
Continuous standard load (mA)	0.1
Operating temperature (C)	-30 ~ +60

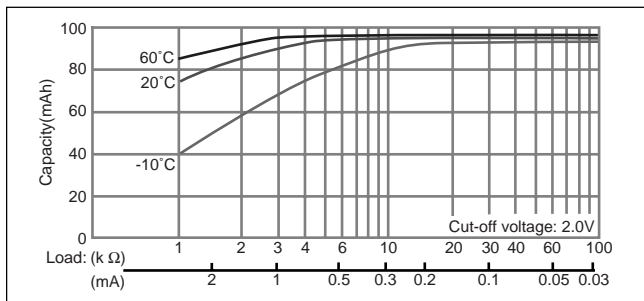
■ Temperature Characteristics



■ Operating voltage vs. load resistance (voltage at 50% discharge depth)



■ Capacity vs. load resistance



CR2025

■ Dimensions(mm)



■ Specification

Nominal voltage (V)	3
Nominal capacity (mAh)	165
Continuous standard load (mA)	0.2
Operating temperature (C)	-30 ~ +60

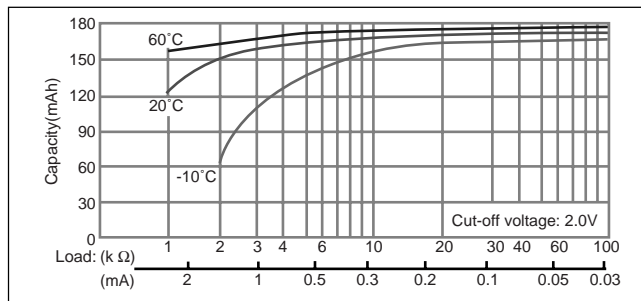
■ Temperature Characteristics



■ Operating voltage vs. load resistance (voltage at 50% discharge depth)



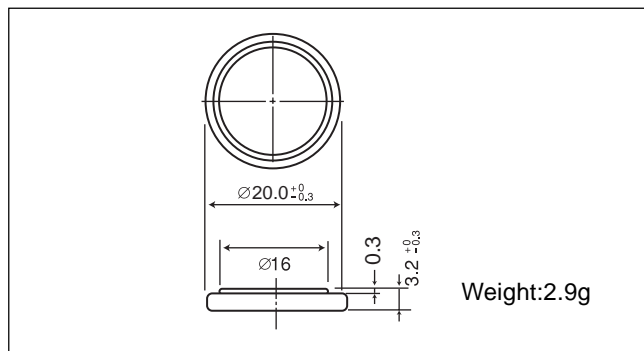
■ Capacity vs. load resistance



Manganese Dioxide Lithium Coin Batteries: Individual Specifications

CR2032

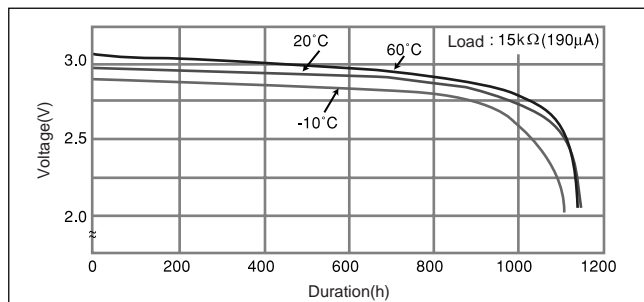
□ Dimensions(mm)



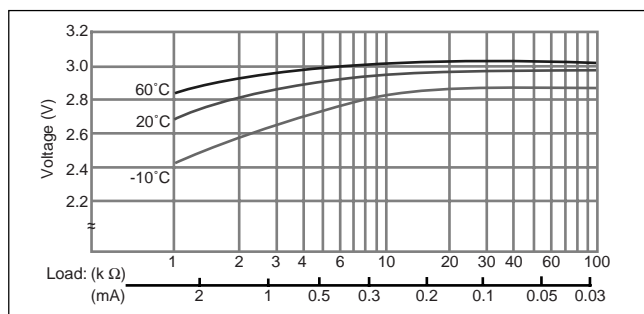
□ Specification

Nominal voltage (V)	3
Nominal capacity (mAh)	225
Continuous standard load (mA)	0.2
Operating temperature (C)	-30 ~ +60

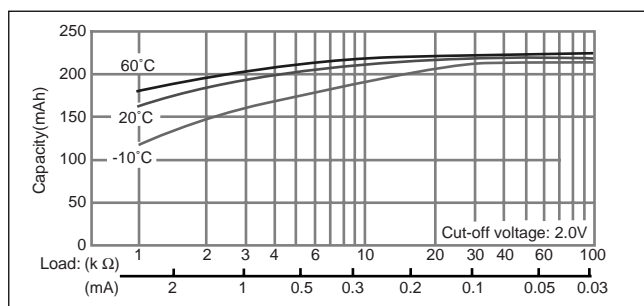
□ Temperature Characteristics



□ Operating voltage vs. load resistance (voltage at 50% discharge depth)

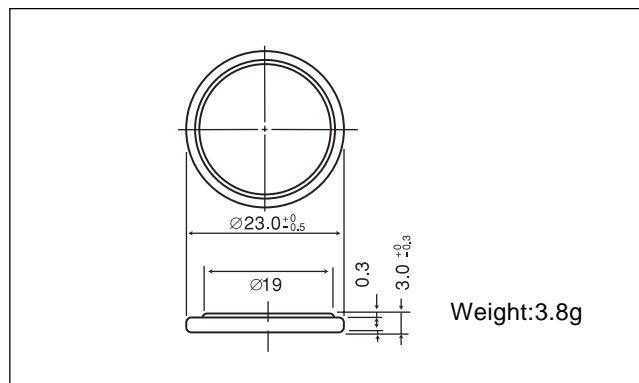


□ Capacity vs. load resistance



CR2330

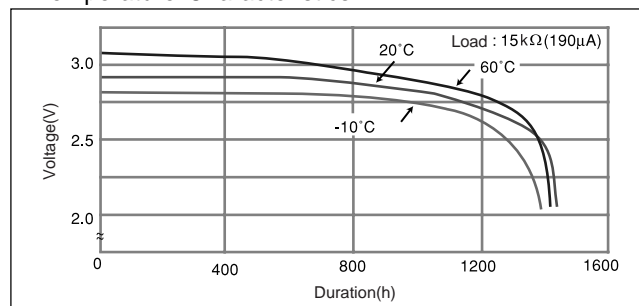
□ Dimensions(mm)



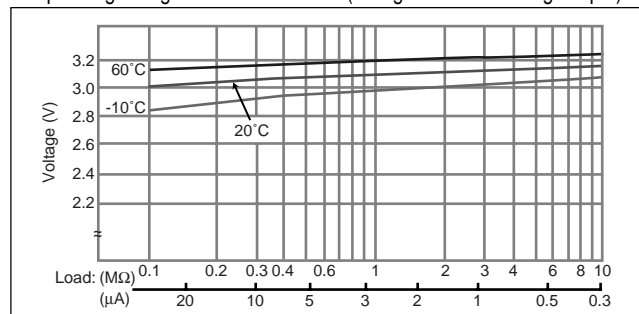
□ Specification

Nominal voltage (V)	3
Nominal capacity (mAh)	265
Continuous standard load (mA)	0.2
Operating temperature (C)	-30 ~ +60

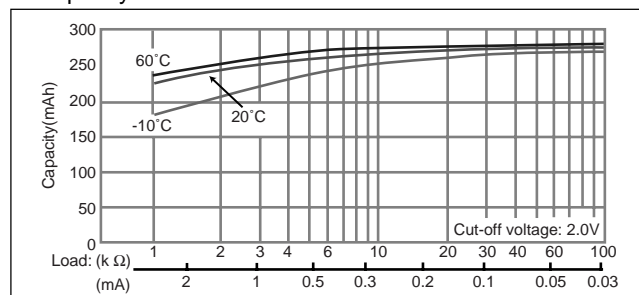
□ Temperature Characteristics



□ Operating voltage vs. load resistance (voltage at 50% discharge depth)



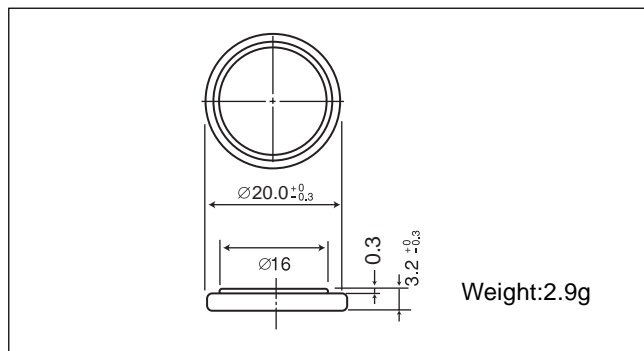
□ Capacity vs. load resistance



Manganese Dioxide Lithium Coin Batteries: Individual Specifications

CR2032

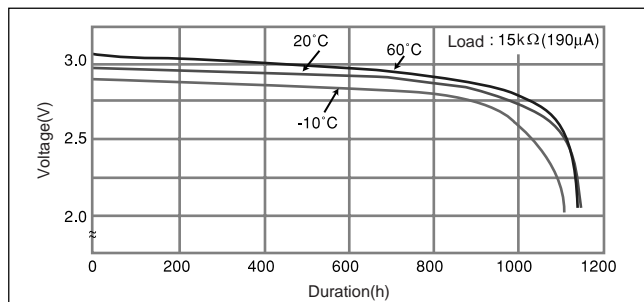
□ Dimensions(mm)



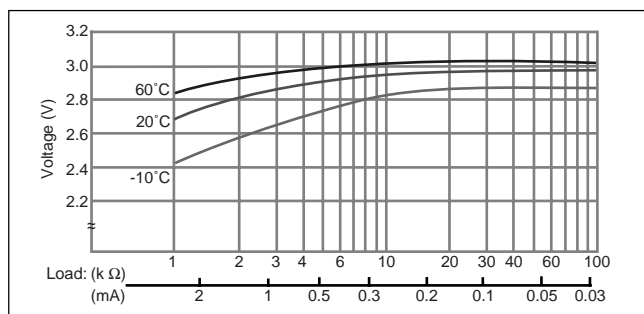
□ Specification

Nominal voltage (V)	3
Nominal capacity (mAh)	225
Continuous standard load (mA)	0.2
Operating temperature (C)	-30 ~ +60

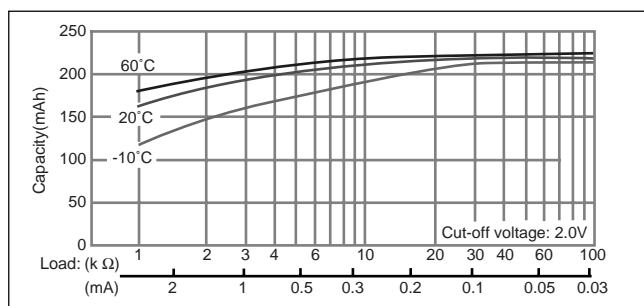
□ Temperature Characteristics



□ Operating voltage vs. load resistance (voltage at 50% discharge depth)

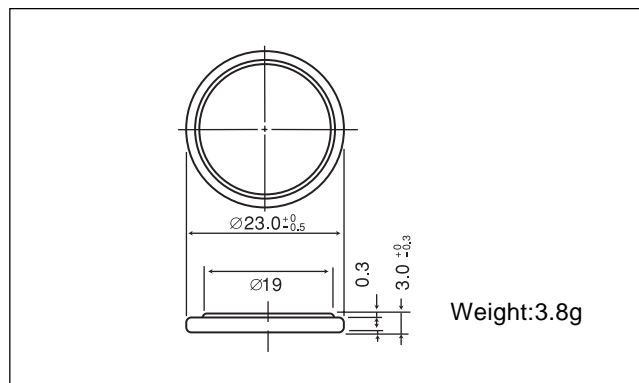


□ Capacity vs. load resistance



CR2330

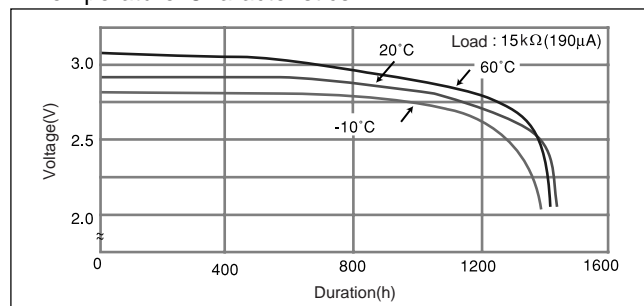
□ Dimensions(mm)



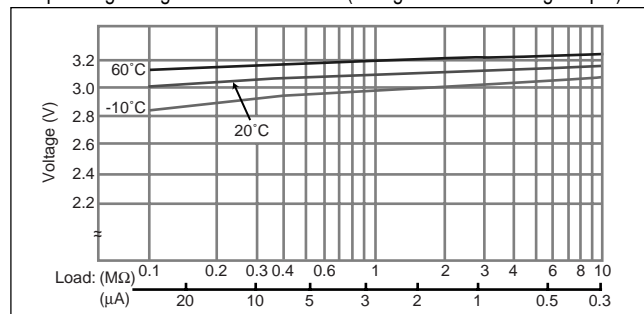
□ Specification

Nominal voltage (V)	3
Nominal capacity (mAh)	265
Continuous standard load (mA)	0.2
Operating temperature (C)	-30 ~ +60

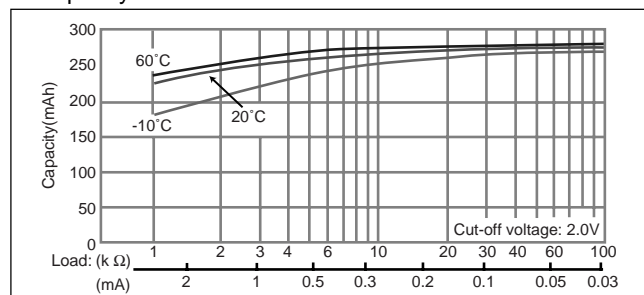
□ Temperature Characteristics



□ Operating voltage vs. load resistance (voltage at 50% discharge depth)



□ Capacity vs. load resistance



Manganese Dioxide Lithium Coin Batteries: Individual Specifications

CR2354

□ Dimensions(mm)



□ Specification

Nominal voltage (V)	3
Nominal capacity (mAh)	560
Continuous standard load (mA)	0.2
Operating temperature (C)	-30 ~ +60

□ Temperature Characteristics



□ Operating voltage vs. load resistance (voltage at 50% discharge depth)



□ Capacity vs. load resistance



CR2412

□ Dimensions(mm)



□ Specification

Nominal voltage (V)	3
Nominal capacity (mAh)	100
Continuous standard load (mA)	0.2
Operating temperature (C)	-30 ~ +60

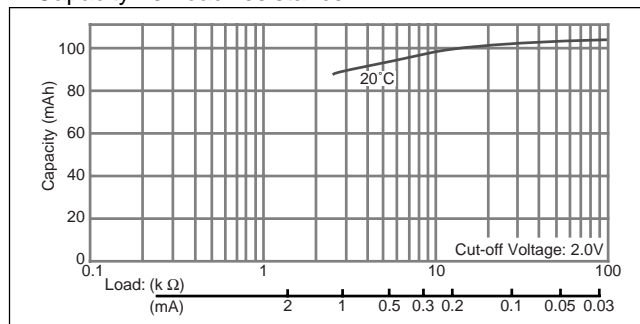
□ Temperature Characteristics



□ Operating voltage vs. load resistance (voltage at 50% discharge depth)



□ Capacity vs. load resistance



Manganese Dioxide Lithium Coin Batteries: Individual Specifications

CR2354

□ Dimensions(mm)



□ Specification

Nominal voltage (V)	3
Nominal capacity (mAh)	560
Continuous standard load (mA)	0.2
Operating temperature (C)	-30 ~ +60

□ Temperature Characteristics



□ Operating voltage vs. load resistance (voltage at 50% discharge depth)



□ Capacity vs. load resistance



CR2412

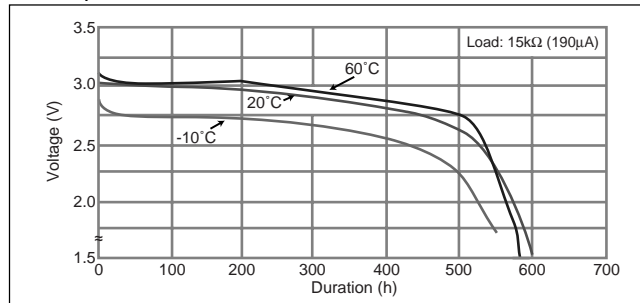
□ Dimensions(mm)



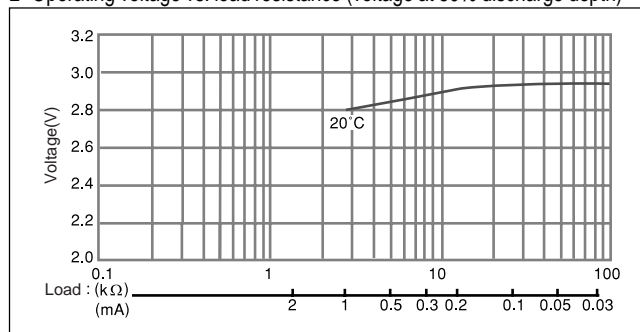
□ Specification

Nominal voltage (V)	3
Nominal capacity (mAh)	100
Continuous standard load (mA)	0.2
Operating temperature (C)	-30 ~ +60

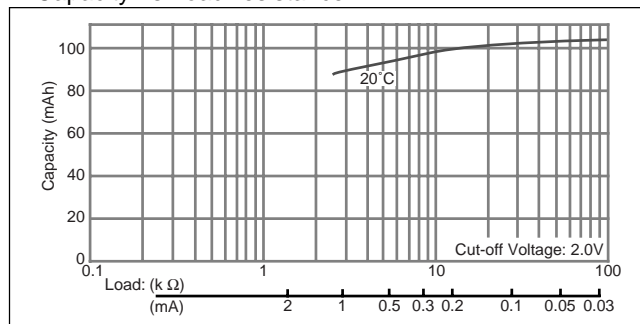
□ Temperature Characteristics



□ Operating voltage vs. load resistance (voltage at 50% discharge depth)



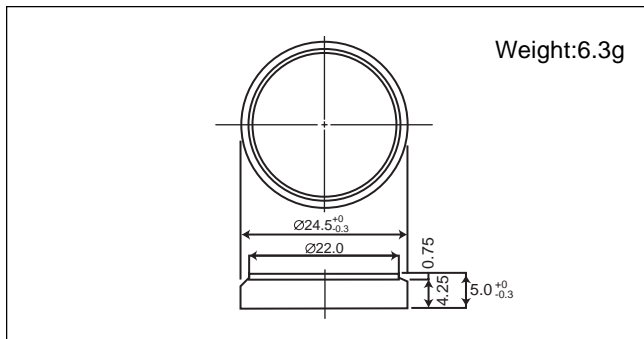
□ Capacity vs. load resistance



Manganese Dioxide Lithium Coin Batteries: Individual Specifications

CR2450

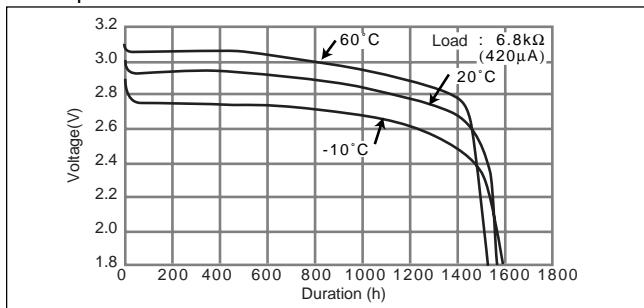
■ Dimensions(mm)



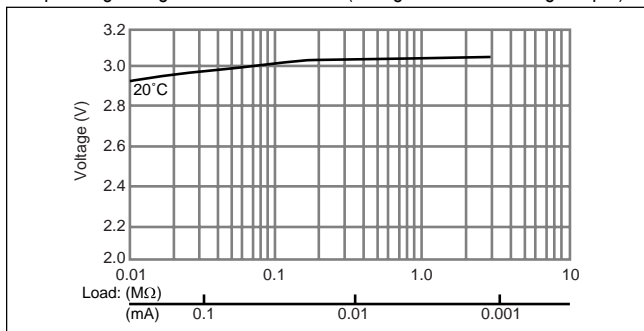
■ Specification

Nominal voltage (V)	3
Nominal capacity (mAh)	620
Continuous standard load (mA)	0.2
Operating temperature (C)	-30 ~ +60

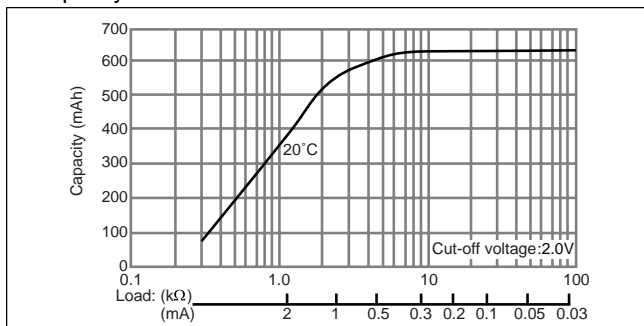
■ Temperature Characteristics



■ Operating voltage vs. load resistance (voltage at 50% discharge depth)

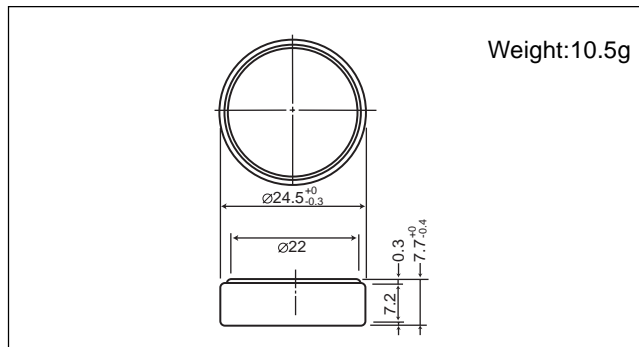


■ Capacity vs. load resistance



CR2477

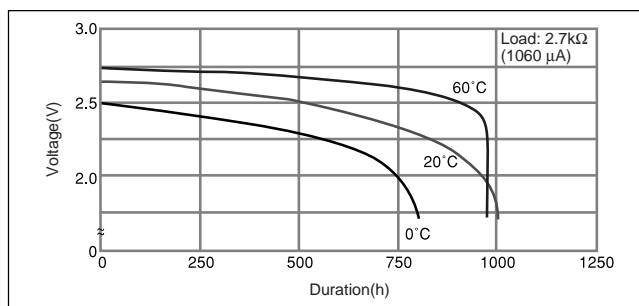
■ Dimensions(mm)



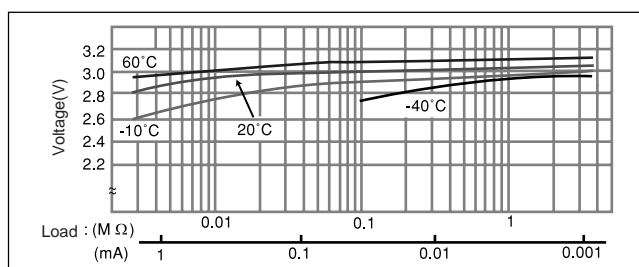
■ Specification

Nominal voltage (V)	3
Nominal capacity (mAh)	1,000
Continuous standard load (mA)	0.2
Operating temperature (C)	-30 ~ +60

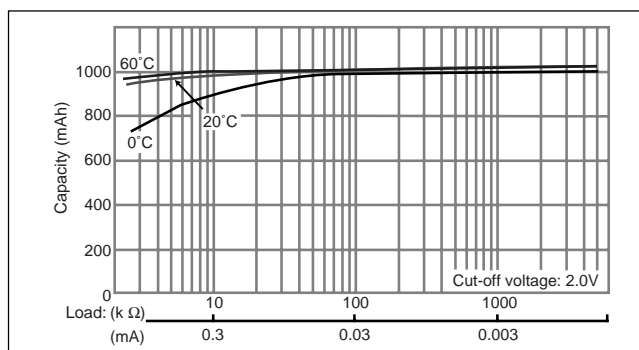
■ Temperature Characteristics



■ Operating voltage vs. load resistance (voltage at 50% discharge depth)



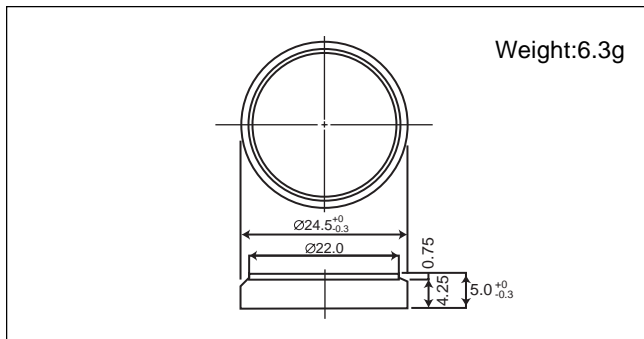
■ Capacity vs. load resistance



Manganese Dioxide Lithium Coin Batteries: Individual Specifications

CR2450

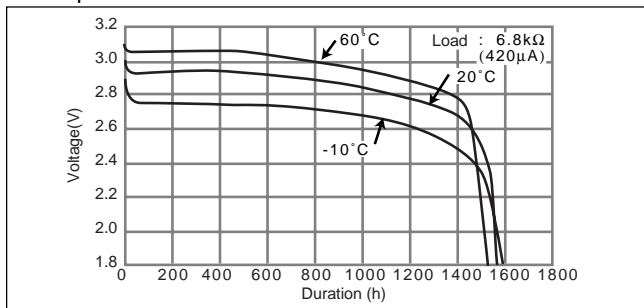
■ Dimensions(mm)



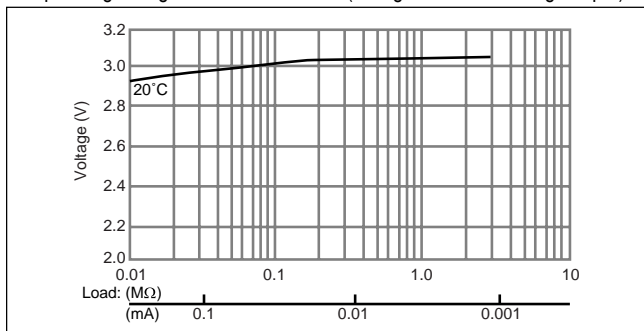
■ Specification

Nominal voltage (V)	3
Nominal capacity (mAh)	620
Continuous standard load (mA)	0.2
Operating temperature (C)	-30 ~ +60

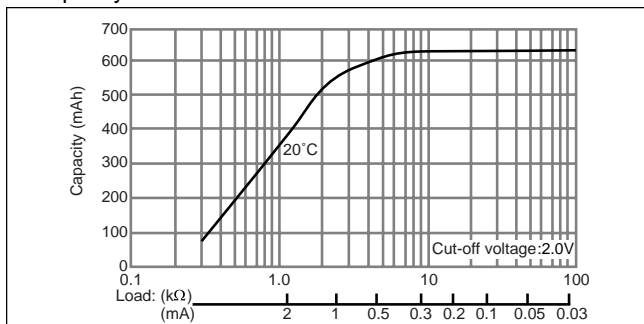
■ Temperature Characteristics



■ Operating voltage vs. load resistance (voltage at 50% discharge depth)

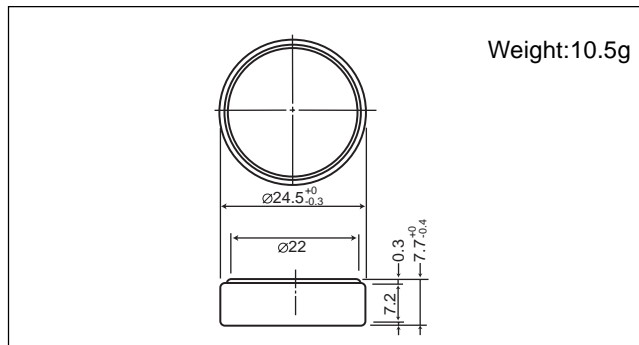


■ Capacity vs. load resistance



CR2477

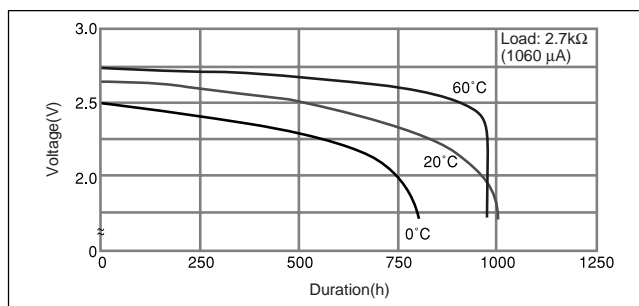
■ Dimensions(mm)



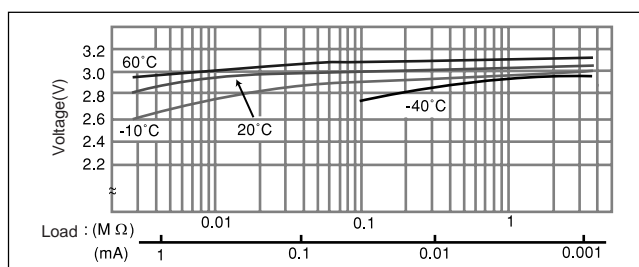
■ Specification

Nominal voltage (V)	3
Nominal capacity (mAh)	1,000
Continuous standard load (mA)	0.2
Operating temperature (C)	-30 ~ +60

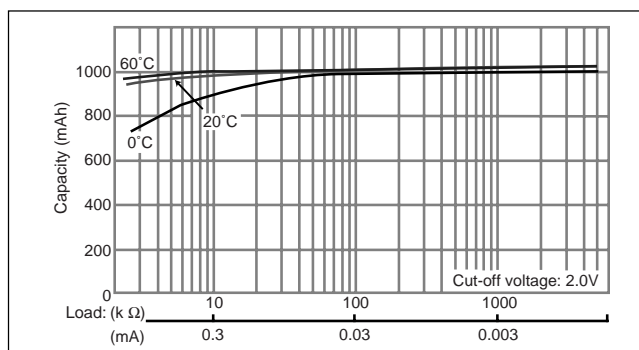
■ Temperature Characteristics



■ Operating voltage vs. load resistance (voltage at 50% discharge depth)



■ Capacity vs. load resistance



Manganese Dioxide Lithium Coin Batteries: Individual Specifications

CR3032

□ Dimensions(mm)



□ Specification

Nominal voltage (V)	3
Nominal capacity (mAh)	500
Continuous standard load (mA)	0.2
Operating temperature (C)	-30 ~ +60

□ Temperature Characteristics



□ Operating voltage vs. load resistance (voltage at 50% discharge depth)



□ Capacity vs. load resistance



Компания «Life Electronics» занимается поставками электронных компонентов импортного и отечественного производства от производителей и со складов крупных дистрибьюторов Европы, Америки и Азии.

С конца 2013 года компания активно расширяет линейку поставок компонентов по направлению коаксиальный кабель, кварцевые генераторы и конденсаторы (керамические, пленочные, электролитические), за счёт заключения дистрибьюторских договоров

Мы предлагаем:

- Конкуренспособные цены и скидки постоянным клиентам.
- Специальные условия для постоянных клиентов.
- Подбор аналогов.
- Поставку компонентов в любых объемах, удовлетворяющих вашим потребностям.
- Приемлемые сроки поставки, возможна ускоренная поставка.
- Доставку товара в любую точку России и стран СНГ.
- Комплексную поставку.
- Работу по проектам и поставку образцов.
- Формирование склада под заказчика.
- Сертификаты соответствия на поставляемую продукцию (по желанию клиента).
- Тестирование поставляемой продукции.
- Поставку компонентов, требующих военную и космическую приемку.
- Входной контроль качества.
- Наличие сертификата ISO.

В составе нашей компании организован Конструкторский отдел, призванный помогать разработчикам, и инженерам.

Конструкторский отдел помогает осуществить:

- Регистрацию проекта у производителя компонентов.
- Техническую поддержку проекта.
- Защиту от снятия компонента с производства.
- Оценку стоимости проекта по компонентам.
- Изготовление тестовой платы монтаж и пусконаладочные работы.



Тел: +7 (812) 336 43 04 (многоканальный)

Email: org@lifeelectronics.ru