



The DA PowerCool Series is a Direct-to-Air thermoelectric assembly (TEA) that uses impingement flow to transfer heat. It offers dependable, compact performance by cooling objects via conduction. Heat is absorbed through a cold plate and dissipated thru a high density heat exchanger equipped with an air ducted shroud and brand name fan. The thermoelectric modules are custom designed to achieve a high coefficient of performance (COP) to minimize power consumption. This product series is available in a wide range of cooling capacities and voltages. Custom configurations and moisture protection options are available, however, MOQ applies.

Laird Manufacturer Part Number: DA-051-24-02-00-00

Patent Pending

#### FEATURES

- Compact design
- Precise temperature control
- Reliable solid-state operation
- DC operation
- RoHS Compliant

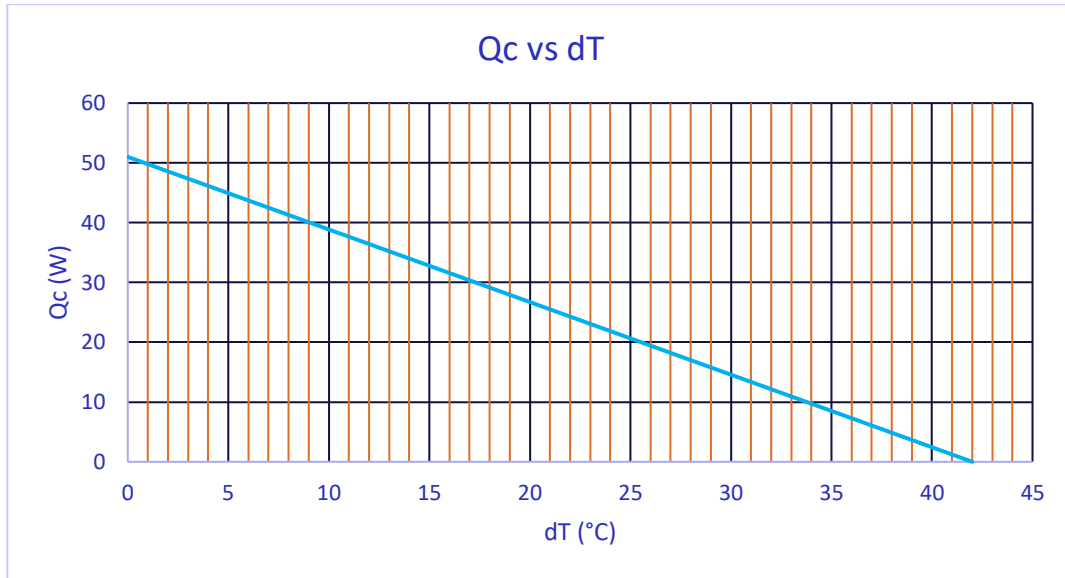
#### APPLICATIONS

- Analytical instrumentation
- Medical diagnostics
- Photonics laser systems
- Industrial instrumentation
- Food and beverage cooling

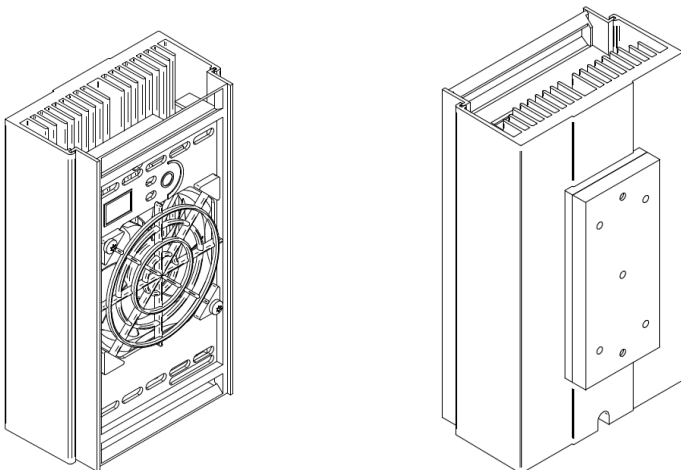
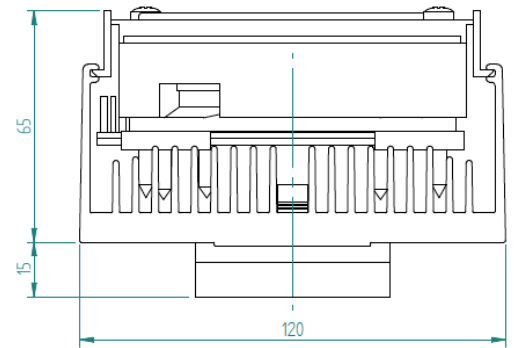
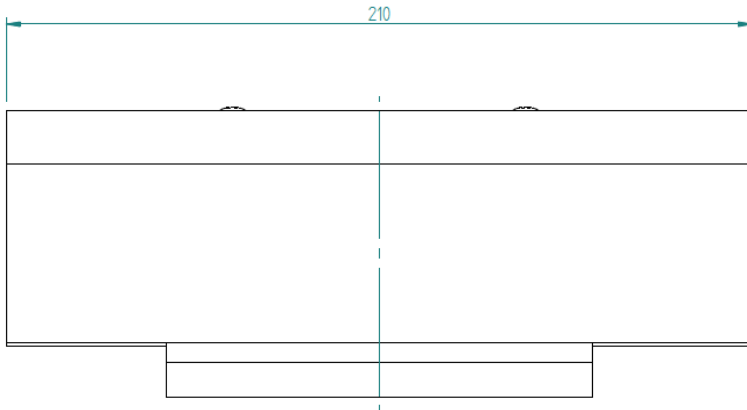
TECHNICAL SPECIFICATIONS	
TEA Model	DA-051-24-02-00-00
Heat Transfer, Cold Side	Direct
Heat Transfer, Hot Side	Air
Cooling Power	51W @ $\Delta T=0^{\circ}\text{C}$ and $T_a=35^{\circ}\text{C}$ , Tolerance $\pm 10\%$
TEM Input Power	
Voltage, Nominal	24 VDC
Current, Nominal/Initial	2.7/3.1 Amps @ $\Delta T=0^{\circ}\text{C}$
Fan Input Power	
Voltage, Nominal	24 VDC
Current, Nominal (Hot Side)	0.15 Amps
Fan Noise	35 dBA
MTBF (fans - hrs)	50,000 hrs
Dimension (L x W x H)	210 x 120 x 80 mm
Weight	1.53 kg
Operating Temperature	$-10^{\circ}\text{C}$ to $46^{\circ}\text{C}$
Packaging	Individual cardboard box

PERFORMANCE CURVES

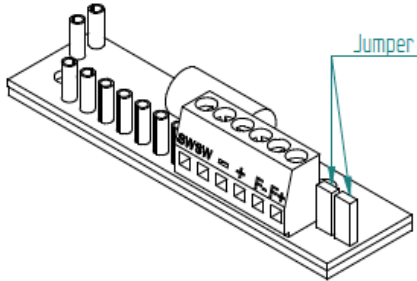
TEA performance at Ta=35°C



ISOMETRIC DRAWINGS



ELECTRICAL CONNECTIONS



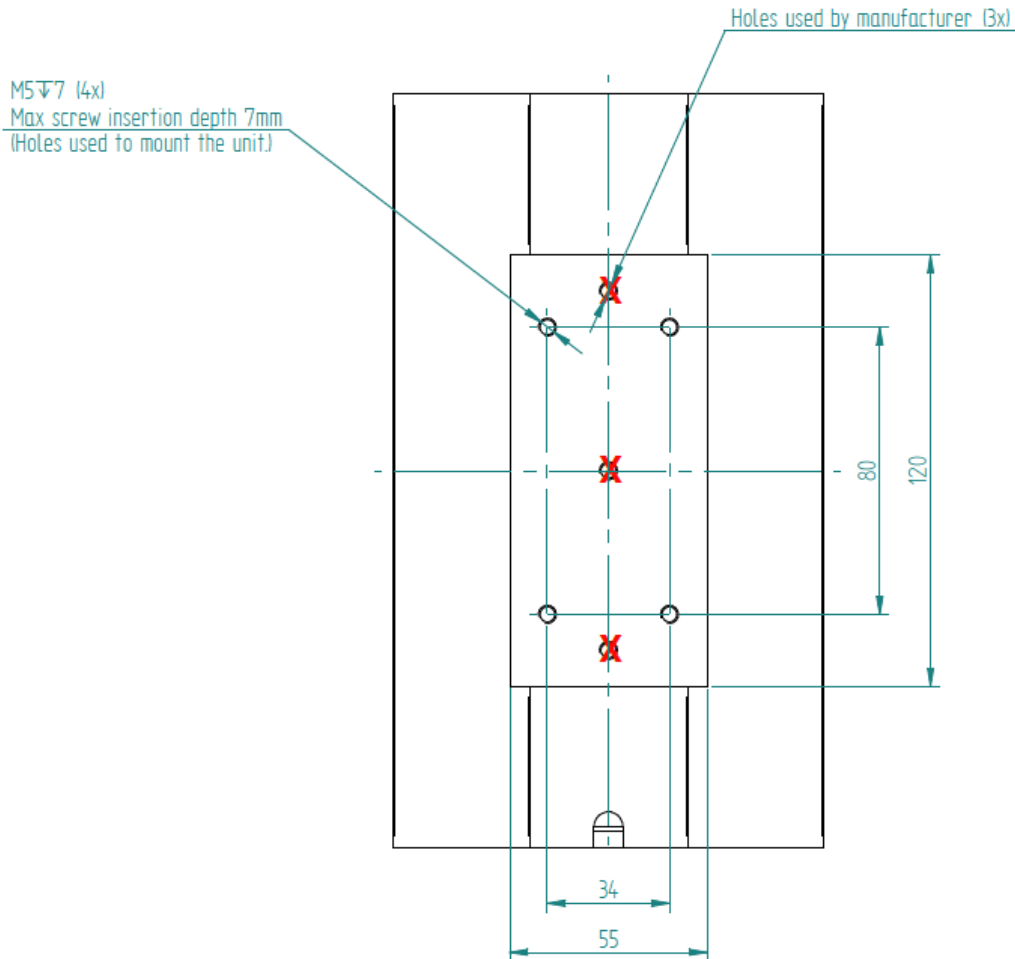
Electrical connections:

To use separate supply:  
Mount jumpers to not short-cut the pin pairs.  
Connect:  
"+": + TEM  
"-": - TEM  
"F+": + Fan(s)  
"F-": - Fan(s)

To use single supply:  
Mount jumpers to short-cut the pin pairs.  
Connect the unit to "+" & "-".

Warning: Single supply not applicable in heating mode or with PWM-regulation.

INSTALLATION and SERVICE INSTRUCTIONS



1. The TE assembly must be protected from external force or violence.
2. The power line to the assembly needs to be protected by a fuse. The fuse rating should be of at least the nominal current of the assembly. It must withstand 150% of rated current for at least 60 seconds. This is valid at  $T_a=35^{\circ}\text{C}$ . Fuse ratings for other ambient temperatures ( $x^{\circ}\text{C}$ ) can be calculated with the formula  $I[x^{\circ}\text{C}]=I[35^{\circ}\text{C}]/(1+0.005*(x-35))$ . This is valid when regulating with an ON/OFF regulation. At rapid temperature cycling where this is applicable, there can be need for even higher fuse ratings.
3. Cooled parts needs to be isolated from air humidity to minimize risk for condensation and thermally insulated for best performance.
4. Max ripple on supplied power =5%.
5. Switching power to TEMs at frequencies between 0.01 Hz to 5 kHz will render premature failure of modules and must be avoided.

#### SERVICE

Fan impellers and heat sinks must be cleaned on regular intervals to reduce risk for overheating and reduction of cooling function. The interval may vary depending on environment.



Americas: +1.919.597.7300  
Europe: +46.31.420530  
Asia: +86.755.2714.1166  
ets.sales@lairdtech.com  
www.lairdtech.com

Laird warrants to the original end user customer of its products that its products are free from defects in material and workmanship. Subject to conditions and limitations Laird will, at its option, either repair or replace any part of its products that prove defective because of improper workmanship or materials. This limited warranty is in force for the useful lifetime of the original end product into which the Laird product is installed. Useful lifetime of the original end product may vary but is not to exceed five (5) years from the original date of the end product purchase.

Any information furnished by Laird Inc. and its agents is believed to be accurate and reliable. All specifications are subject to change without notice. Responsibility for the use and application of Laird materials rests with the end user, since Laird and its agents cannot be aware of all potential uses. Laird makes no warranties as to the fitness, merchantability or suitability of any Laird materials or products for any specific or general uses. Laird shall not be liable for incidental or consequential damages of any kind. All Laird products are sold pursuant to the Laird Terms and Conditions of sale in effect from time to time, a copy of which will be furnished upon request.

© Copyright 2018 Laird Inc. All Rights Reserved. Laird, Laird Technologies, the Laird Logo, and other marks are trademarks or registered trademarks of Laird Inc. or an affiliate company thereof. Other product or service names may be the property of third parties. Nothing herein provides a license under any Laird or any third party intellectual property rights.

Компания «Life Electronics» занимается поставками электронных компонентов импортного и отечественного производства от производителей и со складов крупных дистрибьюторов Европы, Америки и Азии.

С конца 2013 года компания активно расширяет линейку поставок компонентов по направлению коаксиальный кабель, кварцевые генераторы и конденсаторы (керамические, пленочные, электролитические), за счёт заключения дистрибьюторских договоров

Мы предлагаем:

- Конкурентоспособные цены и скидки постоянным клиентам.
- Специальные условия для постоянных клиентов.
- Подбор аналогов.
- Поставку компонентов в любых объемах, удовлетворяющих вашим потребностям.
- Приемлемые сроки поставки, возможна ускоренная поставка.
- Доставку товара в любую точку России и стран СНГ.
- Комплексную поставку.
- Работу по проектам и поставку образцов.
- Формирование склада под заказчика.
- Сертификаты соответствия на поставляемую продукцию (по желанию клиента).
- Тестирование поставляемой продукции.
- Поставку компонентов, требующих военную и космическую приемку.
- Входной контроль качества.
- Наличие сертификата ISO.

В составе нашей компании организован Конструкторский отдел, призванный помогать разработчикам, и инженерам.

Конструкторский отдел помогает осуществить:

- Регистрацию проекта у производителя компонентов.
- Техническую поддержку проекта.
- Защиту от снятия компонента с производства.
- Оценку стоимости проекта по компонентам.
- Изготовление тестовой платы монтаж и пусконаладочные работы.



Тел: +7 (812) 336 43 04 (многоканальный)

Email: [org@lifeelectronics.ru](mailto:org@lifeelectronics.ru)