
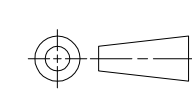


THIS DRAWING IS UNPUBLISHED. RELEASED FOR PUBLICATION AUG, 2006.
 © COPYRIGHT BY TYCO ELECTRONICS CORPORATION. ALL RIGHTS RESERVED.

LOC DW	DIST /	REVISIONS			
P	LTR	DESCRIPTION	DATE	DWN	APVD
	G	REVISED PER ECR-16-003830	14MAR16	FL	SY

WEIGHT(g)	PCI-E COMPLIANCE	HOUSING MATERIAL	DIM. L	DIM. E	DIM. D	DIM. C	DIM. B	DIM. A	POS.	HOUSING COLOR	MIN. GOLD THICKNESS	PART NUMBER	
8.7	GEN II & GEN III	PA9T	2.30	71.35	70	73.15	89	71.65	164	BLACK	15u"	4-1734774-8	
5.45				38.35	37	40.15	56	38.65	98	WHITE	G/F	3-1734774-9	4-1734774-7
3.85				21.35	20	23.15	39	21.65	64	BLACK	15u"	3-1734774-8	4-1734774-6
2.55				7.35	6	9.15	25	7.65	36	WHITE	G/F	3-1734774-7	4-1734774-5
8.7				71.35	70	73.15	89	71.65	164	BLACK	15u"	3-1734774-6	4-1734774-4
5.45				38.35	37	40.15	56	38.65	98	WHITE	G/F	3-1734774-5	4-1734774-3
3.85				21.35	20	23.15	39	21.65	64	BLACK	15u"	3-1734774-4	4-1734774-2
2.55				7.35	6	9.15	25	7.65	36	WHITE	G/F	3-1734774-3	4-1734774-1
8.7				71.35	70	73.15	89	71.65	164	BLACK	15u"	3-1734774-2	4-1734774-0
5.45				38.35	37	40.15	56	38.65	98	WHITE	G/F	3-1734774-1	4-1734774-9
3.85				21.35	20	23.15	39	21.65	64	BLACK	15u"	2-1734774-9	4-1734774-8
2.55				7.35	6	9.15	25	7.65	36	WHITE	G/F	2-1734774-8	4-1734774-7
8.7			71.35	70	73.15	89	71.65	164	BLACK	15u"	2-1734774-7	4-1734774-6	
5.45			38.35	37	40.15	56	38.65	98	WHITE	G/F	2-1734774-6	4-1734774-5	
3.85			21.35	20	23.15	39	21.65	64	BLACK	15u"	2-1734774-5	4-1734774-4	
2.55			7.35	6	9.15	25	7.65	36	WHITE	G/F	2-1734774-4	4-1734774-3	
8.7			71.35	70	73.15	89	71.65	164	BLACK	15u"	2-1734774-3	4-1734774-2	
5.45			38.35	37	40.15	56	38.65	98	WHITE	G/F	2-1734774-2	4-1734774-1	
3.85			21.35	20	23.15	39	21.65	64	BLACK	15u"	2-1734774-1	4-1734774-0	
2.55			7.35	6	9.15	25	7.65	36	WHITE	G/F	2-1734774-0	4-1734774-9	
8.7			71.35	70	73.15	89	71.65	164	BLACK	15u"	1-1734774-9	4-1734774-8	
5.45			38.35	37	40.15	56	38.65	98	WHITE	G/F	1-1734774-8	4-1734774-7	
3.85			21.35	20	23.15	39	21.65	64	BLACK	15u"	1-1734774-7	4-1734774-6	
2.55			7.35	6	9.15	25	7.65	36	WHITE	G/F	1-1734774-6	4-1734774-5	
8.7	71.35	70	73.15	89	71.65	164	BLACK	15u"	1-1734774-5	4-1734774-4			
5.45	38.35	37	40.15	56	38.65	98	WHITE	G/F	1-1734774-4	4-1734774-3			
3.85	21.35	20	23.15	39	21.65	64	BLACK	15u"	1-1734774-3	4-1734774-2			
2.55	7.35	6	9.15	25	7.65	36	WHITE	G/F	1-1734774-2	4-1734774-1			

WEIGHT(g)	PCI-E COMPLIANCE	HOUSING MATERIAL	DIM. L	DIM. E	DIM. D	DIM. C	DIM. B	DIM. A	POS.	HOUSING COLOR	MIN. GOLD THICKNESS	PART NUMBER	
8.8	GEN II	PA46	2.30	71.35	70	73.15	89	71.65	164	BLACK	15u"	9-1734774-7	
5.5				38.35	37	40.15	56	38.65	98	WHITE	G/F	8-1734774-8	9-1734774-6
3.9				21.35	20	23.15	39	21.65	64	BLACK	15u"	8-1734774-7	9-1734774-5
2.55				7.35	6	9.15	25	7.65	36	WHITE	G/F	8-1734774-6	9-1734774-4
8.8				71.35	70	73.15	89	71.65	164	BLACK	15u"	8-1734774-5	9-1734774-3
5.5				38.35	37	40.15	56	38.65	98	WHITE	G/F	8-1734774-4	9-1734774-2
3.9				21.35	20	23.15	39	21.65	64	BLACK	15u"	8-1734774-3	9-1734774-1
2.55				7.35	6	9.15	25	7.65	36	WHITE	G/F	8-1734774-2	9-1734774-0
8.8				71.35	70	73.15	89	71.65	164	BLACK	15u"	8-1734774-1	9-1734774-9
5.5				38.35	37	40.15	56	38.65	98	WHITE	G/F	8-1734774-0	9-1734774-8
3.9				21.35	20	23.15	39	21.65	64	BLACK	15u"	8-1734774-9	9-1734774-7
2.55				7.35	6	9.15	25	7.65	36	WHITE	G/F	8-1734774-8	9-1734774-6
8.8			71.35	70	73.15	89	71.65	164	BLACK	15u"	8-1734774-7	9-1734774-5	
5.5			38.35	37	40.15	56	38.65	98	WHITE	G/F	8-1734774-6	9-1734774-4	
3.9			21.35	20	23.15	39	21.65	64	BLACK	15u"	8-1734774-5	9-1734774-3	
2.55			7.35	6	9.15	25	7.65	36	WHITE	G/F	8-1734774-4	9-1734774-2	
8.8			71.35	70	73.15	89	71.65	164	BLACK	15u"	8-1734774-3	9-1734774-1	
5.5			38.35	37	40.15	56	38.65	98	WHITE	G/F	8-1734774-2	9-1734774-0	
3.9			21.35	20	23.15	39	21.65	64	BLACK	15u"	8-1734774-1	9-1734774-9	
2.55			7.35	6	9.15	25	7.65	36	WHITE	G/F	8-1734774-0	9-1734774-8	
8.8			71.35	70	73.15	89	71.65	164	BLACK	15u"	8-1734774-9	9-1734774-7	
5.5			38.35	37	40.15	56	38.65	98	WHITE	G/F	8-1734774-8	9-1734774-6	
3.9			21.35	20	23.15	39	21.65	64	BLACK	15u"	8-1734774-7	9-1734774-5	
2.55			7.35	6	9.15	25	7.65	36	WHITE	G/F	8-1734774-6	9-1734774-4	

THIS DRAWING IS A CONTROLLED DOCUMENT.		DWN B. HSING 15JUL2009	 TE Connectivity NAME PCI EXPRESS CARD EDGE CONNECTOR VERTICAL, DIP TYPE, 3GIO
DIMENSIONS: MM		CHK S. CHIEN 15JUL2009	
		APVD W. KODAMA 15JUL2009	
TOLERANCES UNLESS OTHERWISE SPECIFIED:		PRODUCT SPEC 108-57871	
MATERIAL		APPLICATION SPEC	RESTRICTED TO
FINISH		WEIGHT	SIZE A3
CUSTOMER DRAWING		SCALE	CAGE CODE 00779
		SHEET	DRAWING NO C-1734774
		1 OF 5	REV G

THIS DRAWING IS UNPUBLISHED. RELEASED FOR PUBLICATION AUG ,2006.
 © COPYRIGHT BY TYCO ELECTRONICS CORPORATION. ALL RIGHTS RESERVED.

LOC	DIST	REVISIONS					
		P	LTR	DESCRIPTION	DATE	DWN	APVD
DW		-	-	SEE SHEET 1	-	-	-

- NOTES:
- MATERIAL:
 - HOUSING: 1.PA46 WITH 40% G.F, UL94 V-0, COLOR: SEE TABLE.
2.PA9T WITH 30% GF, UL94 V-0, COLOR: SEE TABLE.
 - CONTACT: PHOSPHOR BRONZE
 - FINISH:

CONTACT: (SEE TABLE) GOLD PLATING ON CONTACT AREA.
2.54um [100u"] MIN. MATTE-TIN PALTING ON SOLDER TAIL AREA.
1.27um [50u"] MIN. NICKEL UNDERPLATING OVERALL.
 - CONNECTOR HAS MET THE REQUIREMENTS PER PCI EXPRESS GEN 2 TECHNICAL DOCUMENT.
 - WEIGHT:

36 POS.: 2.55 GRAMS; 64 POS.: 3.90 GRAMS
98 POS.: 5.50 GRAMS; 164 POS.: 8.80 GRAMS
 - WAVE SOLDER CAPABLE TO 265°C PER TEST SPEC. 109-202 CONDITION B.
 ⚠️ REFLOW SOLDER CAPABLE TO 260°C PER TEST SPEC. 109-201 CONDITION B.
 (REFLOW SOLDERING PLEASE USE PN : 1734774-1 TO 4-1734774-8)



THIS DRAWING IS A CONTROLLED DOCUMENT.		DWN	TE Connectivity		
DIMENSIONS: MM		CHK	NAME		
TOLERANCES UNLESS OTHERWISE SPECIFIED:		APVD	PCI EXPRESS CARD EDGE CONNECTOR VERTICAL, DIP TYPE, 3GIO		
0 PLC ± - 1 PLC ± 0.3 2 PLC ± 0.2 3 PLC ± 0.15 4 PLC ± - ANGLES ± 3'		PRODUCT SPEC	SIZE	CAGE CODE	DRAWING NO
MATERIAL SEE NOTE		APPLICATION SPEC	A3	00779	1734774
FINISH SEE NOTE		WEIGHT SEE NOTE 4	RESTRICTED TO		
		CUSTOMER DRAWING	SCALE	SHEET 2 OF 5	REV G

4

3

2

1

THIS DRAWING IS UNPUBLISHED. RELEASED FOR PUBLICATION AUG ,2006.
 © COPYRIGHT BY TYCO ELECTRONICS CORPORATION. ALL RIGHTS RESERVED.

LOC	DIST	REVISIONS			
P	LTR	DESCRIPTION	DATE	DWN	APVD
		SEE SHEET 1.			



PN X-1 TO 4-X-8
(PA9T TYPE)

36 POS.



PN 5-X-0 TO 9-X-7
(PA46 TYPE)



64 POS.



98 POS.



164 POS.



THIS DRAWING IS A CONTROLLED DOCUMENT.		DWN	TE Connectivity NAME PCI EXPRESS CARD EDGE CONNECTOR VERTICAL, DIP TYPE, 3GIO				
DIMENSIONS: MM		CHK					
TOLERANCES UNLESS OTHERWISE SPECIFIED:		APVD					
0 PLC ± - 1 PLC ± 0.25 2 PLC ± 0.25 3 PLC ± 0.25 4 PLC ± - ANGLES ± -		PRODUCT SPEC					
MATERIAL		FINISH	APPLICATION SPEC	SIZE	CAGE CODE	DRAWING NO	RESTRICTED TO
			WEIGHT	A3	00779	C=1734774	
CUSTOMER DRAWING			SCALE	SHEET	3 OF 5	REV	G

THIS DRAWING IS UNPUBLISHED. RELEASED FOR PUBLICATION AUG ,2006.
 © COPYRIGHT BY TYCO ELECTRONICS CORPORATION. ALL RIGHTS RESERVED.

LOC	DIST	REVISIONS			
P	LTR	DESCRIPTION	DATE	DWN	APVD
DW		SEE SHEET 1.			

ADD-IN CARD EDGE-FINGER DIMENSIONS

NOTES:
 CHAMFER EDGE MUST BE FREE OF CUTTING BURRS



RECOMMENDED PCB LAYOUT

TOLERANCE: ±0.05
 FOR DIM.L=3.1mm PCB THICKNESS: 2.4mm
 FOR DIM.L=2.3mm PCB THICKNESS: 1.6mm



POS.	DIM. F	DIM. G	DIM. H	"K"
164	70.0	73.15	72.15	A1, B17, B31, B48, B81
98	37.0	40.15	39.15	A1, B17, B31, B48
64	20.0	23.15	22.15	A1, B17, B31
36	6.0	9.15	8.15	A1, B17

THIS DRAWING IS A CONTROLLED DOCUMENT.		DWN			
DIMENSIONS: MM		CHK			
TOLERANCES UNLESS OTHERWISE SPECIFIED:		APVD		NAME	
0 PLC ± - 1 PLC ± - 2 PLC ± - 3 PLC ± - 4 PLC ± - ANGLES ± -		PRODUCT SPEC		PCI EXPRESS CARD EDGE CONNECTOR VERTICAL, DIP TYPE, 3GIO	
MATERIAL		FINISH		SIZE CAGE CODE DRAWING NO RESTRICTED TO	
				A3 00779 C=1734774	
		WEIGHT		SCALE SHEET 4 of 5 REV G	
		CUSTOMER DRAWING			

THIS DRAWING IS UNPUBLISHED.

RELEASED FOR PUBLICATION

AUG ,2006.

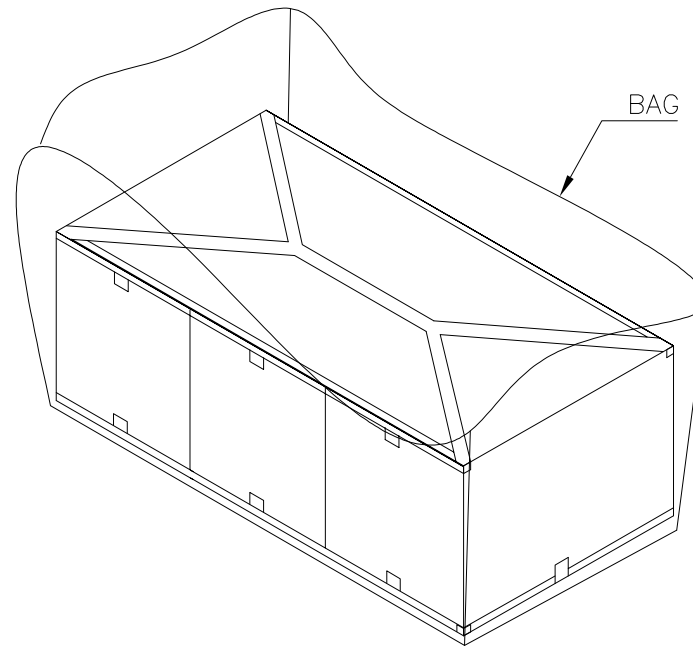
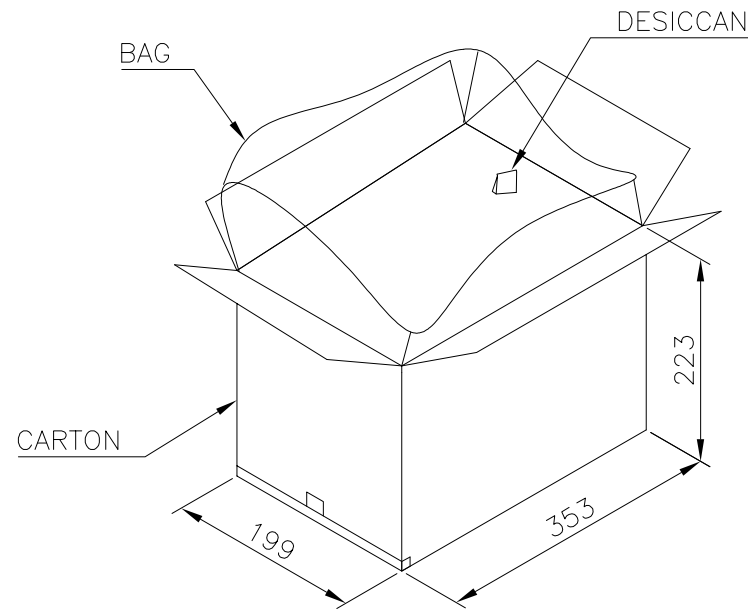
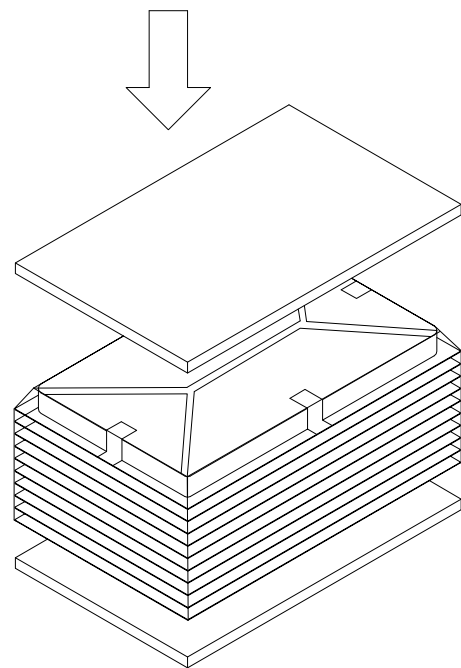
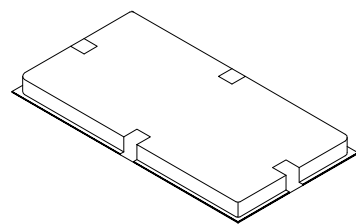
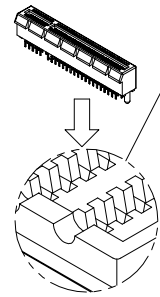
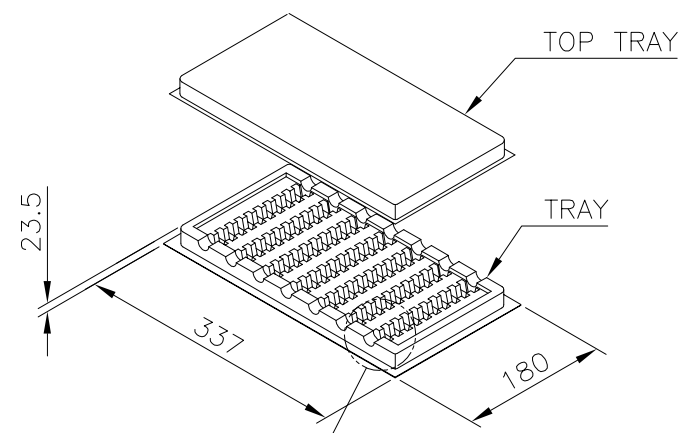
© COPYRIGHT BY TYCO ELECTRONICS CORPORATION. ALL RIGHTS RESERVED.

LOC

DIST

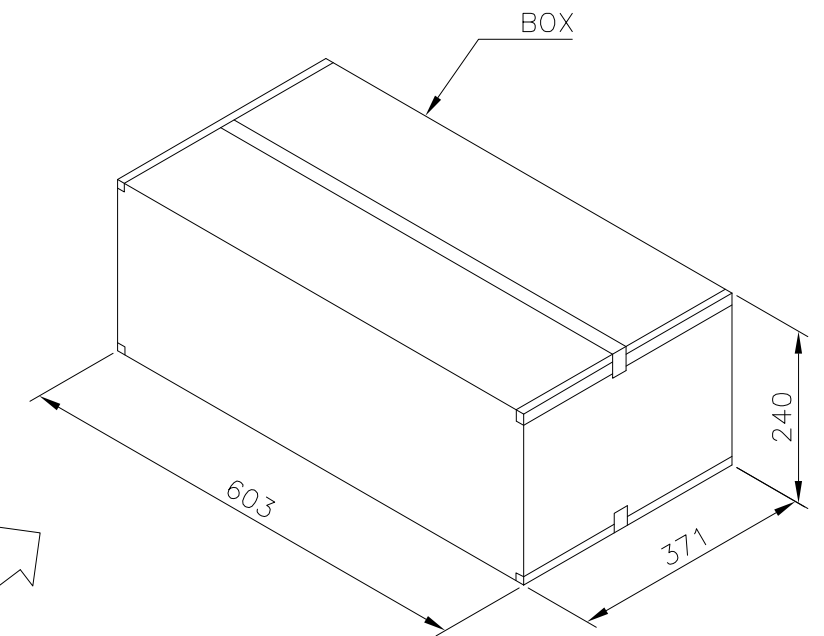
REVISIONS

P	LTR	DESCRIPTION	DATE	DWN	APVD
		SEE SHEET 1.			



NOTES :

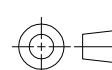
- MATERIAL :
 TRAY : PVC, COLOR: TRANSPARENT.
 CARTON: CORRUGATED FIBER
 BOX: CORRUGATED FIBER
- DIMENSION :
 TRAY: SEE DRAWING
 CARTON: SEE DRAWING
 BOX : SEE DRAWING
- QUANTITY : SEE TABLE
- WEIGHT : SEE TABLE



10.2 Kg	8.2 Kg	30	10	3	900	164
9.0 Kg	7.0 Kg	40	10	3	1200	98
8.5 Kg	6.5 Kg	60	10	3	1800	64
7.6 Kg	5.6 Kg	70	10	3	2100	36
GROSS WEIGHT	NET WEIGHT	PCS/ TRAY	TRAY/ CARTON	CARTON/ BOX	PCS/ BOX	POS.

THIS DRAWING IS A CONTROLLED DOCUMENT.

DIMENSIONS:
MM



TOLERANCES UNLESS OTHERWISE SPECIFIED:

0 PLC	± -
1 PLC	± -
2 PLC	± -
3 PLC	± -
4 PLC	± -
ANGLES	± -

MATERIAL

FINISH

DWN

CHK

APVD

PRODUCT SPEC

APPLICATION SPEC

WEIGHT

CUSTOMER DRAWING



NAME

PCI EXPRESS CARD EDGE CONNECTOR
VERTICAL, DIP TYPE, 3GIO

SIZE CAGE CODE DRAWING NO RESTRICTED TO

A3 00779 C=1734774

SCALE SHEET 5 of 5 REV G

Компания «Life Electronics» занимается поставками электронных компонентов импортного и отечественного производства от производителей и со складов крупных дистрибьюторов Европы, Америки и Азии.

С конца 2013 года компания активно расширяет линейку поставок компонентов по направлению коаксиальный кабель, кварцевые генераторы и конденсаторы (керамические, пленочные, электролитические), за счёт заключения дистрибьюторских договоров

Мы предлагаем:

- Конкуренеспособные цены и скидки постоянным клиентам.
- Специальные условия для постоянных клиентов.
- Подбор аналогов.
- Поставку компонентов в любых объемах, удовлетворяющих вашим потребностям.
- Приемлемые сроки поставки, возможна ускоренная поставка.
- Доставку товара в любую точку России и стран СНГ.
- Комплексную поставку.
- Работу по проектам и поставку образцов.
- Формирование склада под заказчика.
- Сертификаты соответствия на поставляемую продукцию (по желанию клиента).
- Тестирование поставляемой продукции.
- Поставку компонентов, требующих военную и космическую приемку.
- Входной контроль качества.
- Наличие сертификата ISO.

В составе нашей компании организован Конструкторский отдел, призванный помогать разработчикам, и инженерам.

Конструкторский отдел помогает осуществить:

- Регистрацию проекта у производителя компонентов.
- Техническую поддержку проекта.
- Защиту от снятия компонента с производства.
- Оценку стоимости проекта по компонентам.
- Изготовление тестовой платы монтаж и пусконаладочные работы.



Тел: +7 (812) 336 43 04 (многоканальный)

Email: org@lifeelectronics.ru