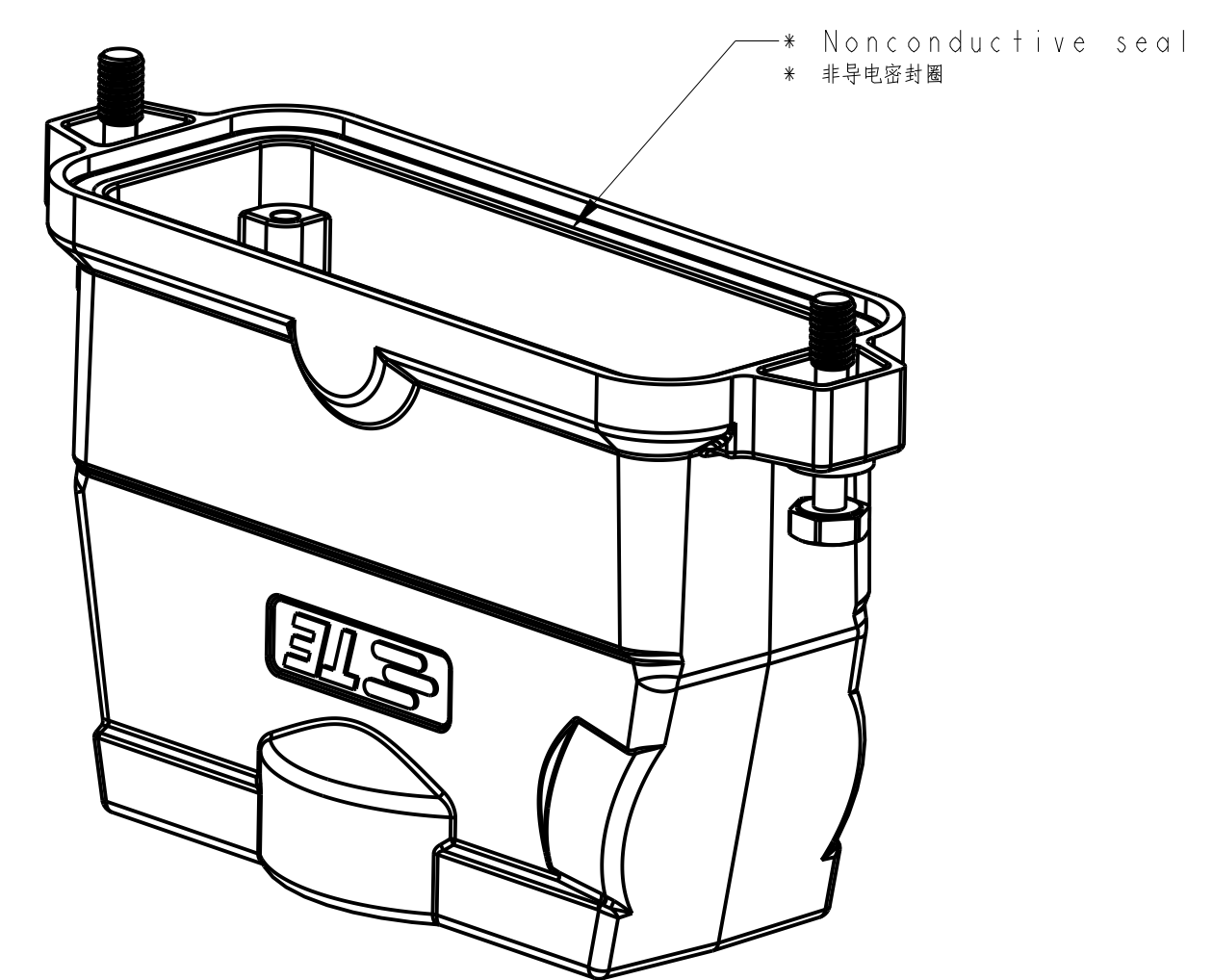
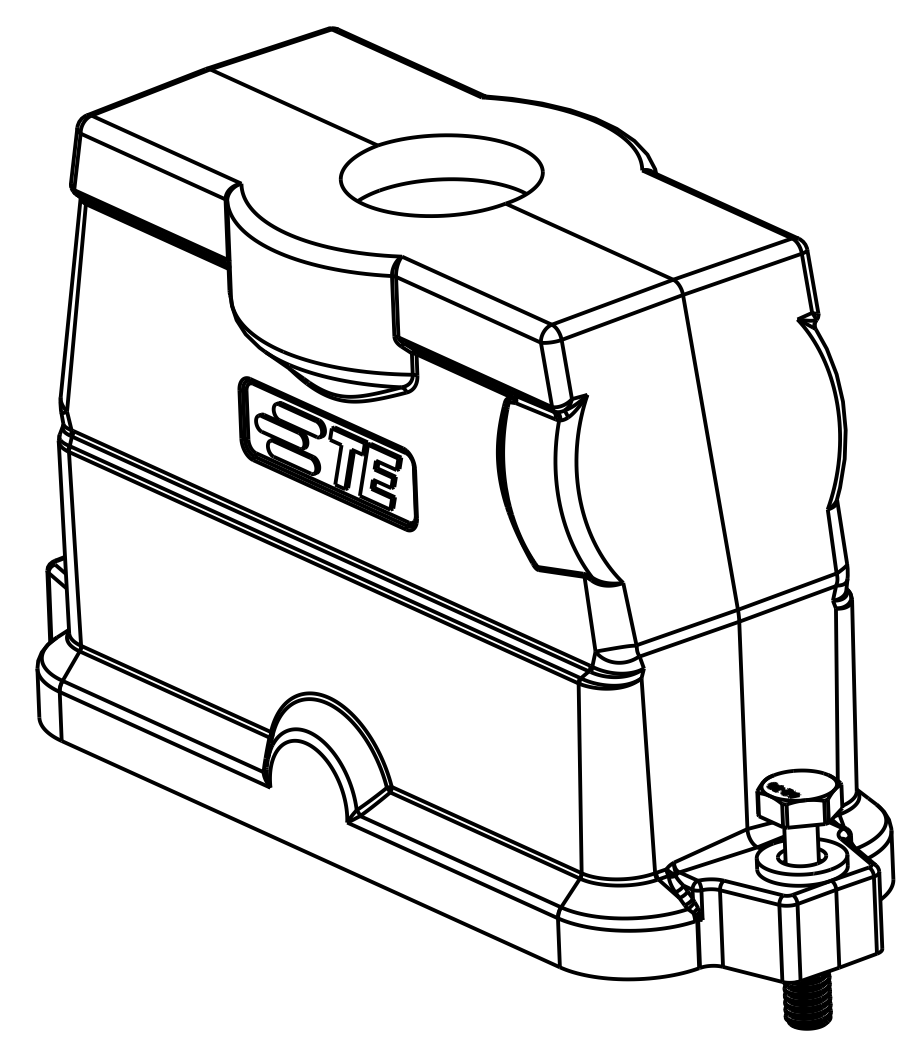
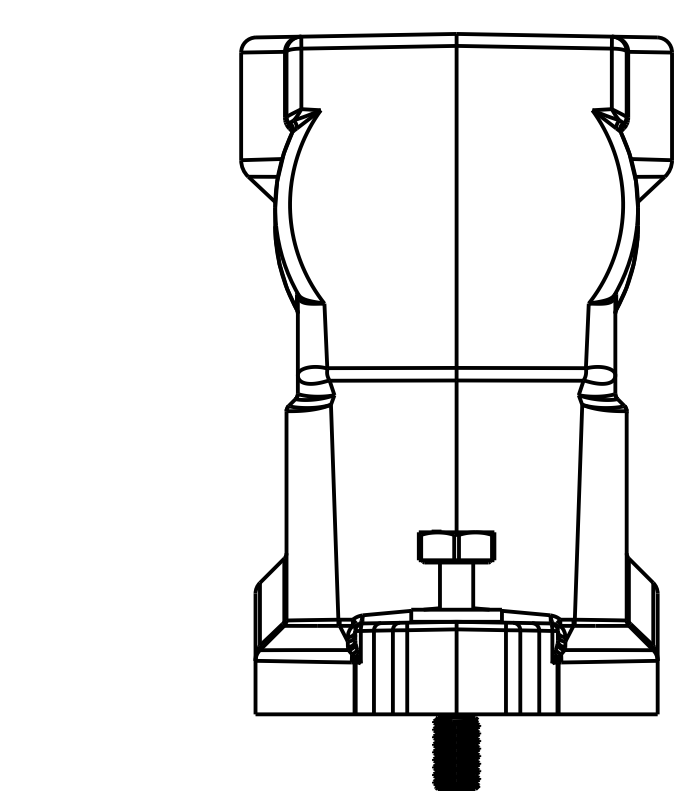
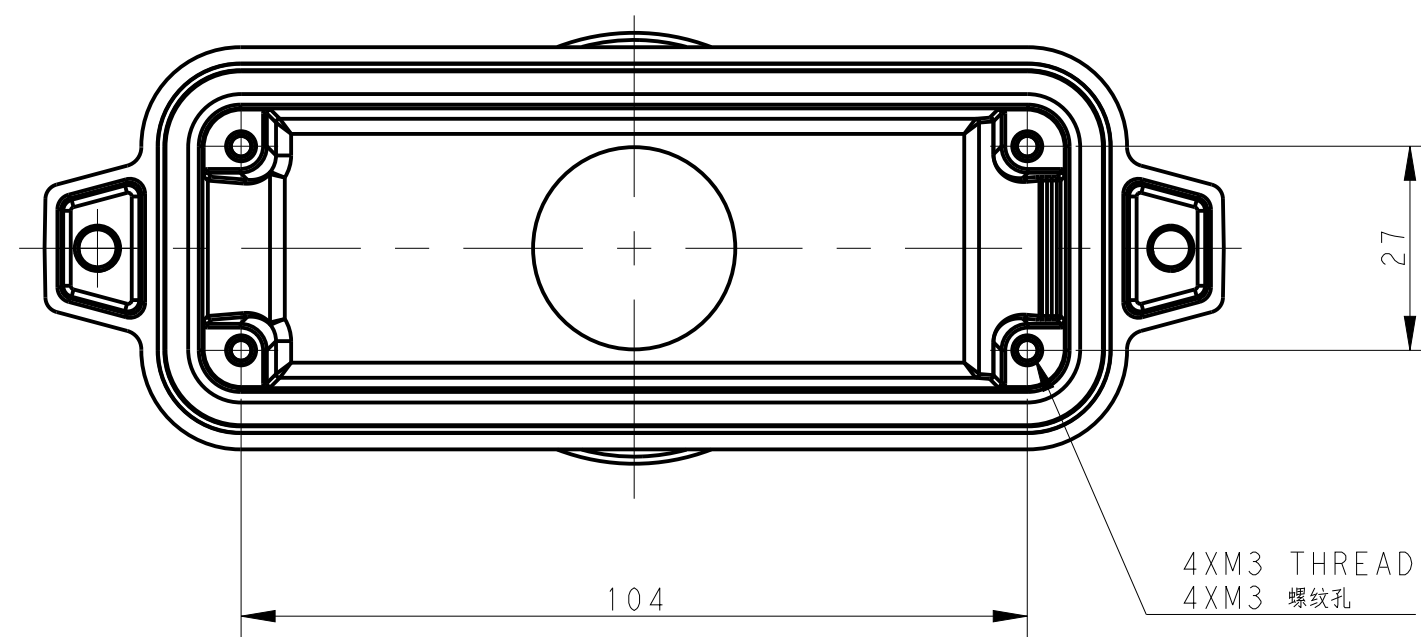
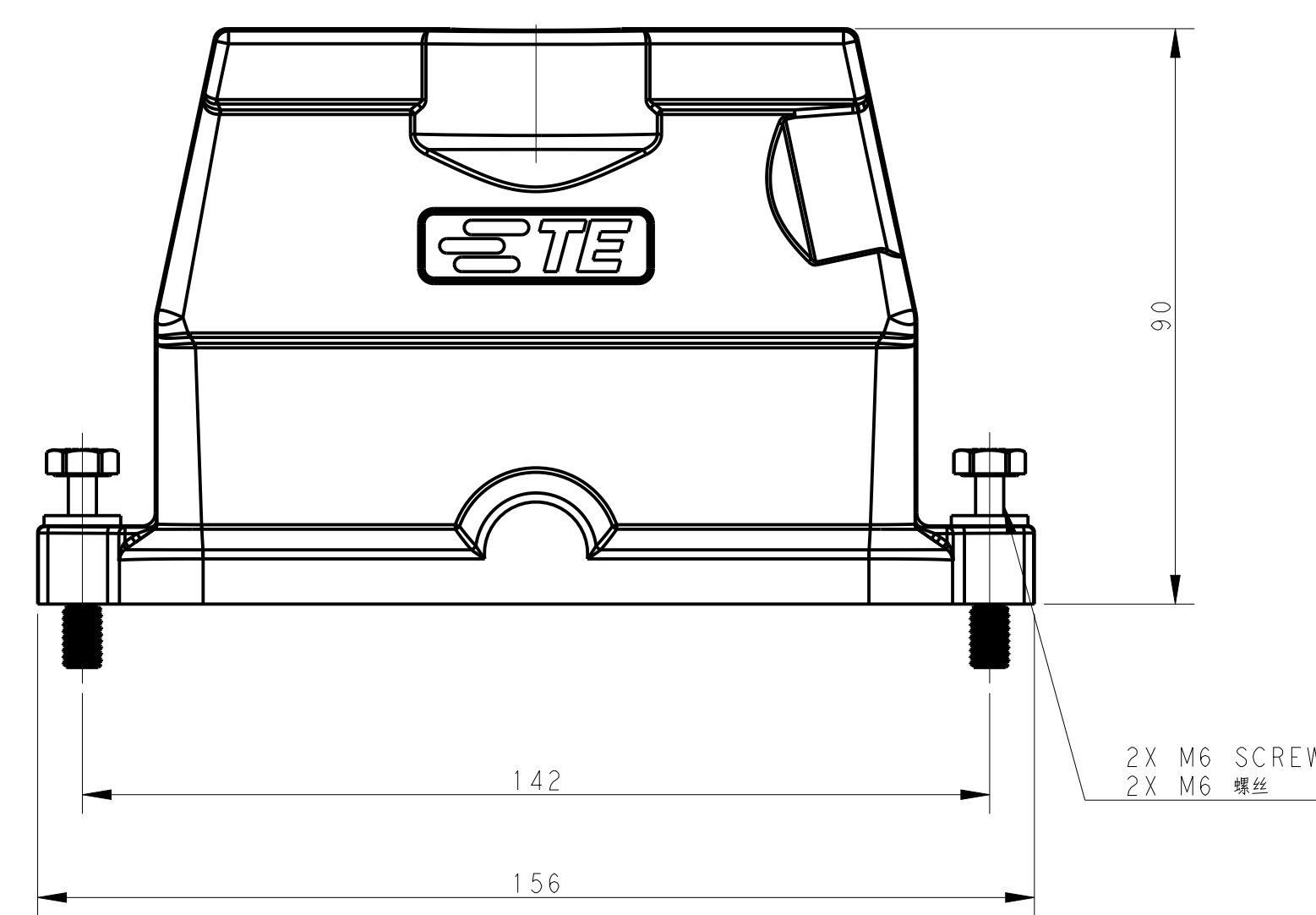
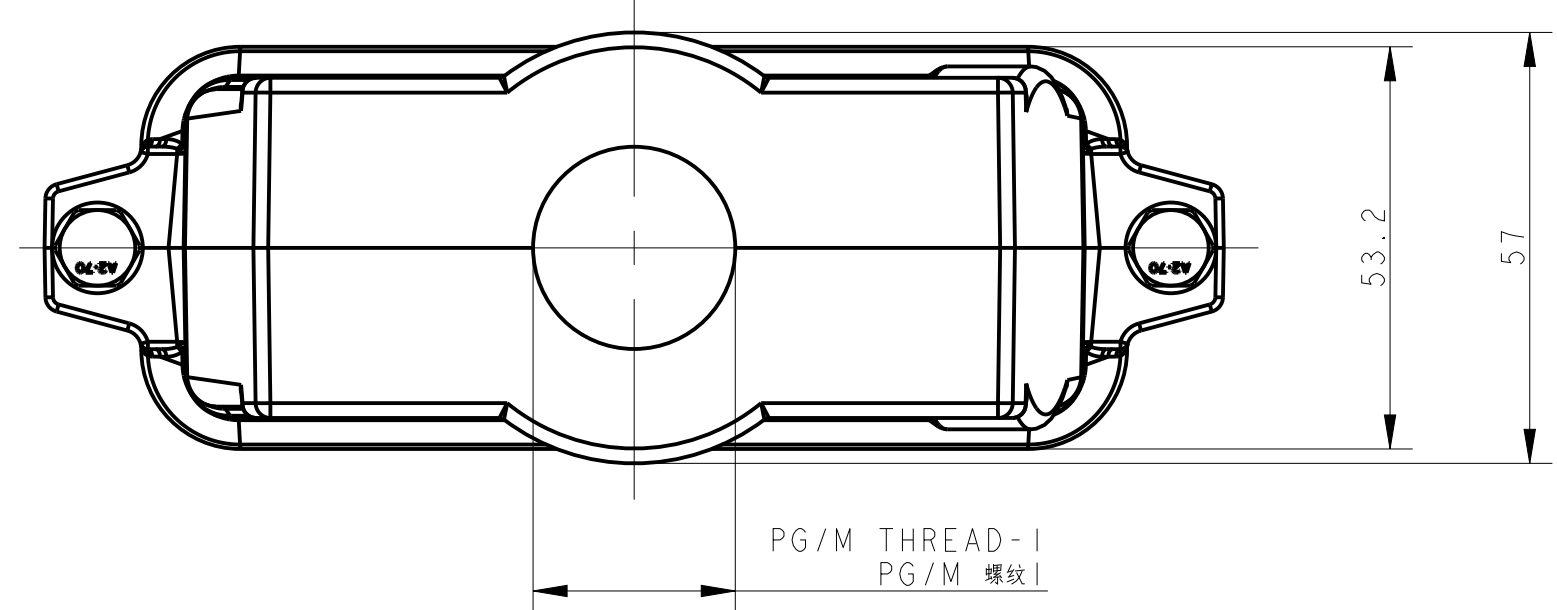


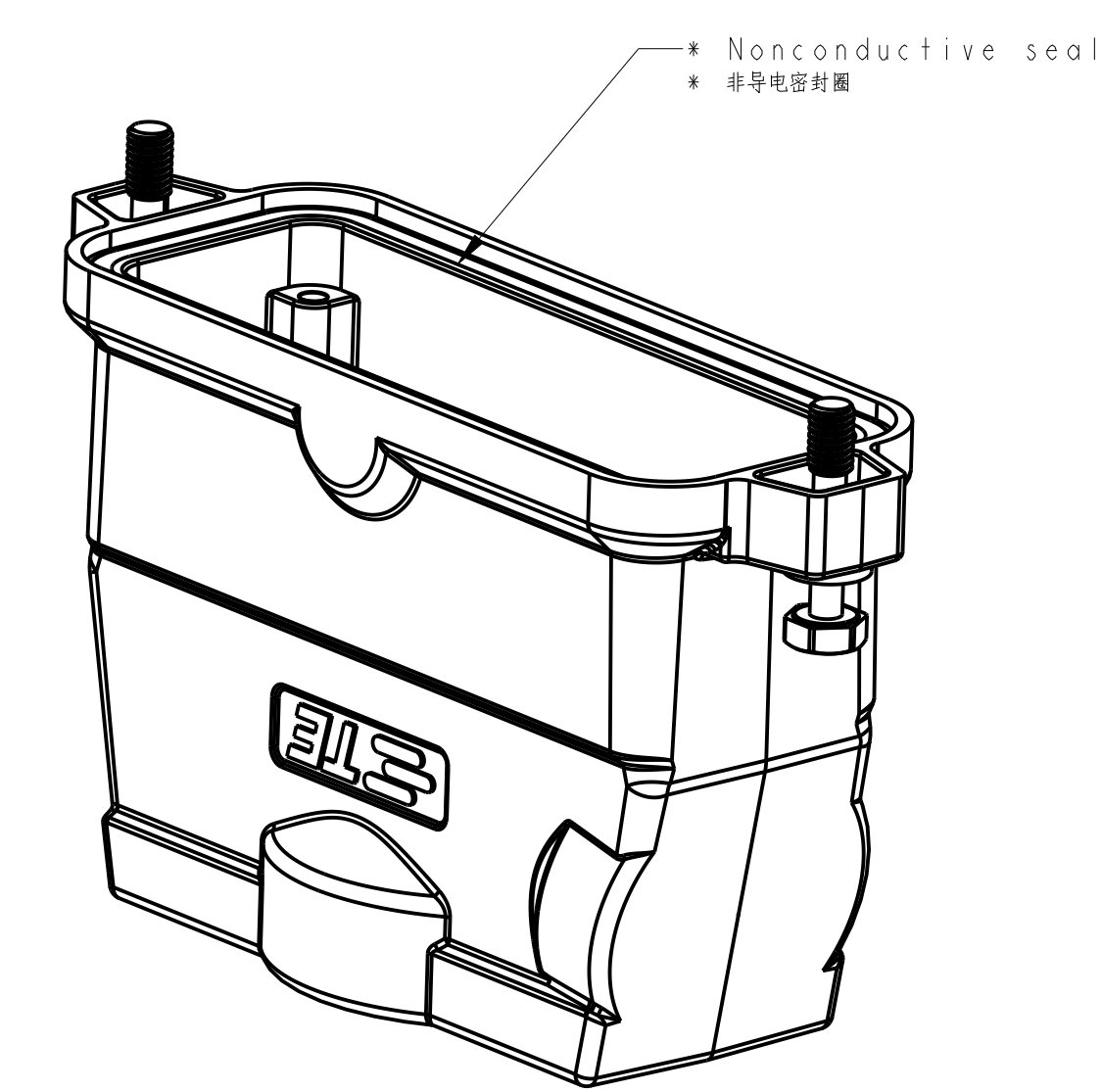
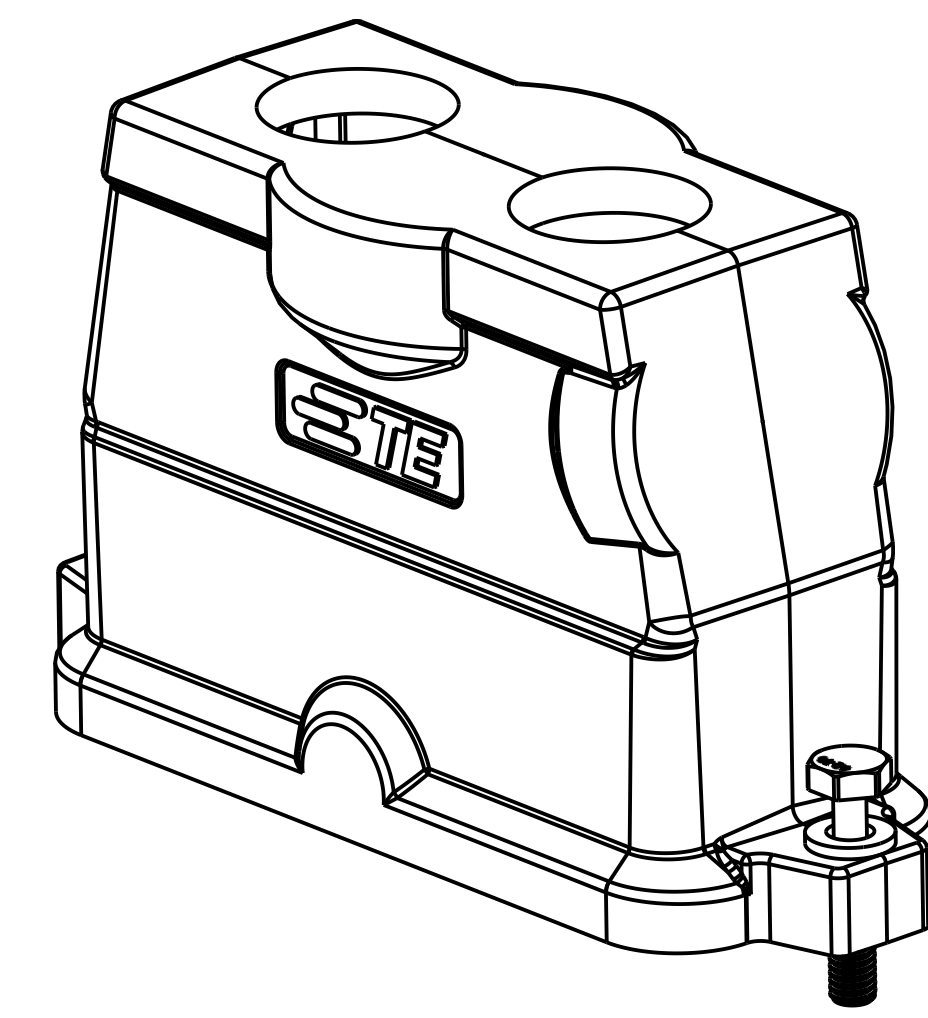
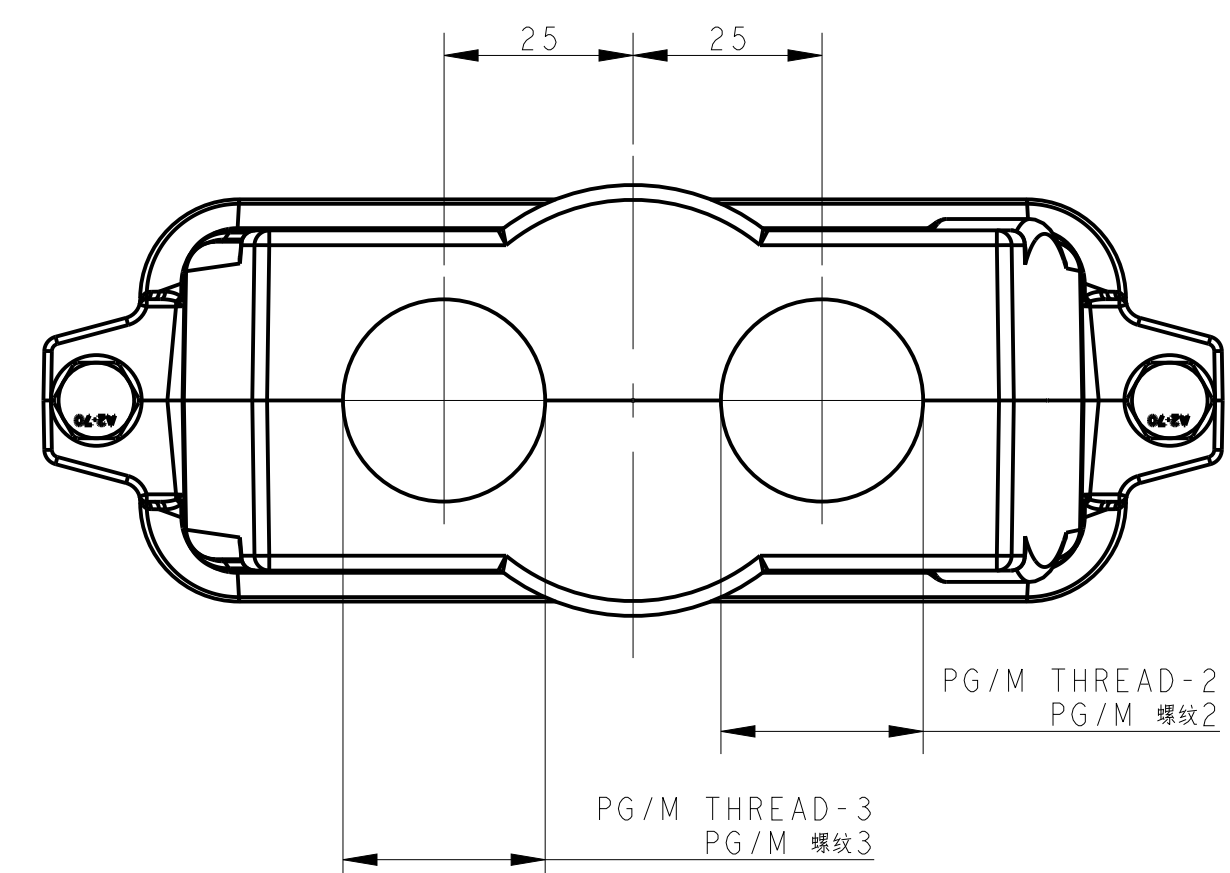
TYPE 1 类型 1

Single PG/M thread & With nonconductive seal
单PG/M螺纹孔带非导电密封圈



TYPE 2 类型 2

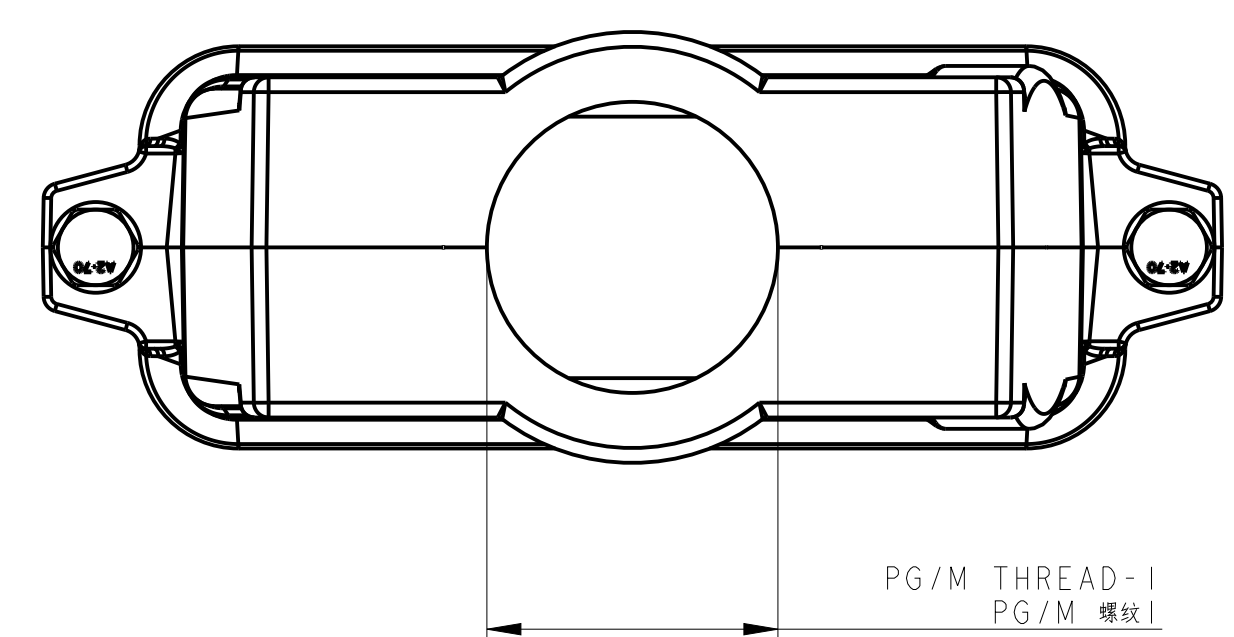
Two PG/M threads & With nonconductive seal
两个PG/M螺纹孔带非导电密封圈



All dimension is same as TYPE 1, except those defined in this TYPE
除了在本类型中定义的尺寸外, 其他尺寸同类型 1

TYPE 4 类型 4

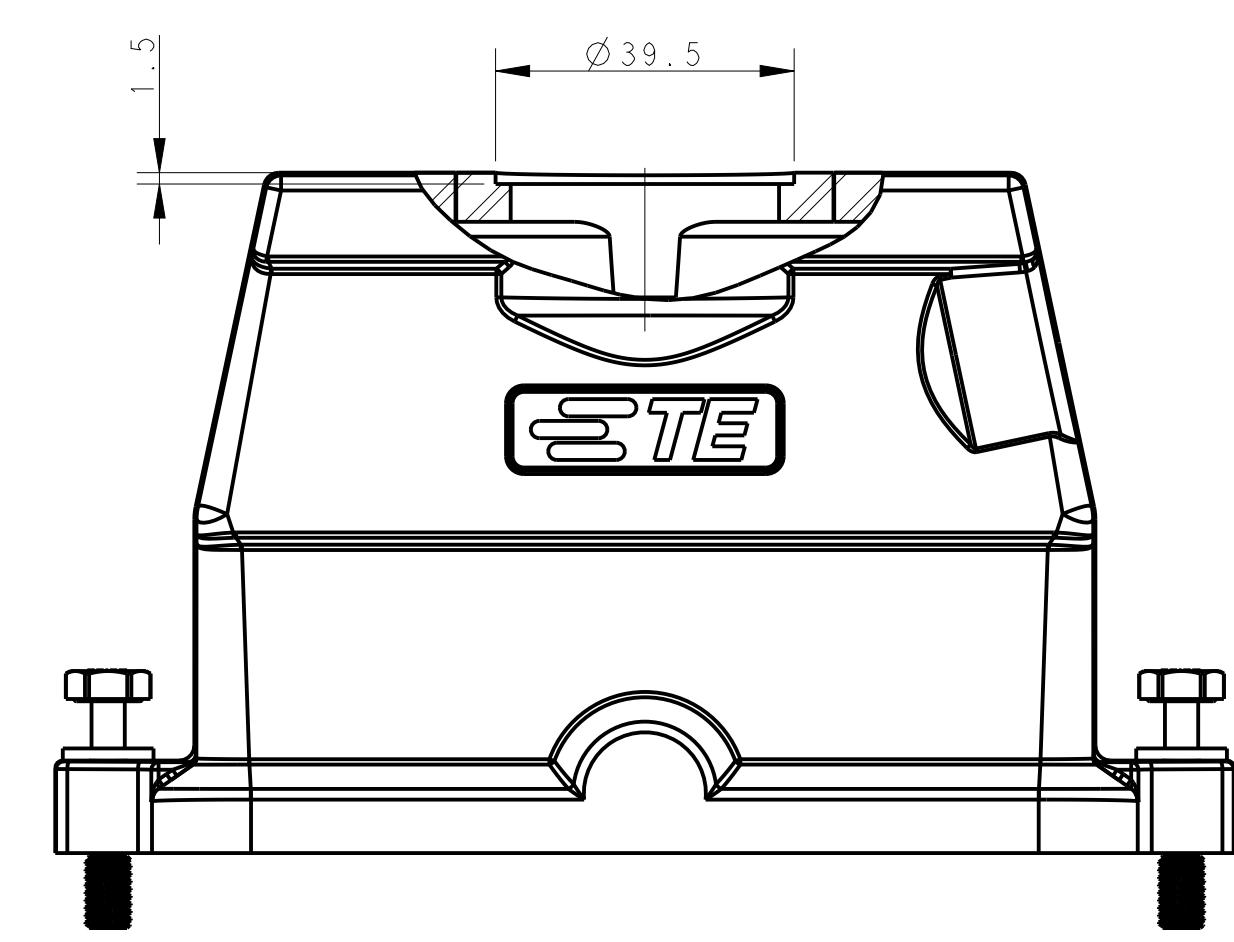
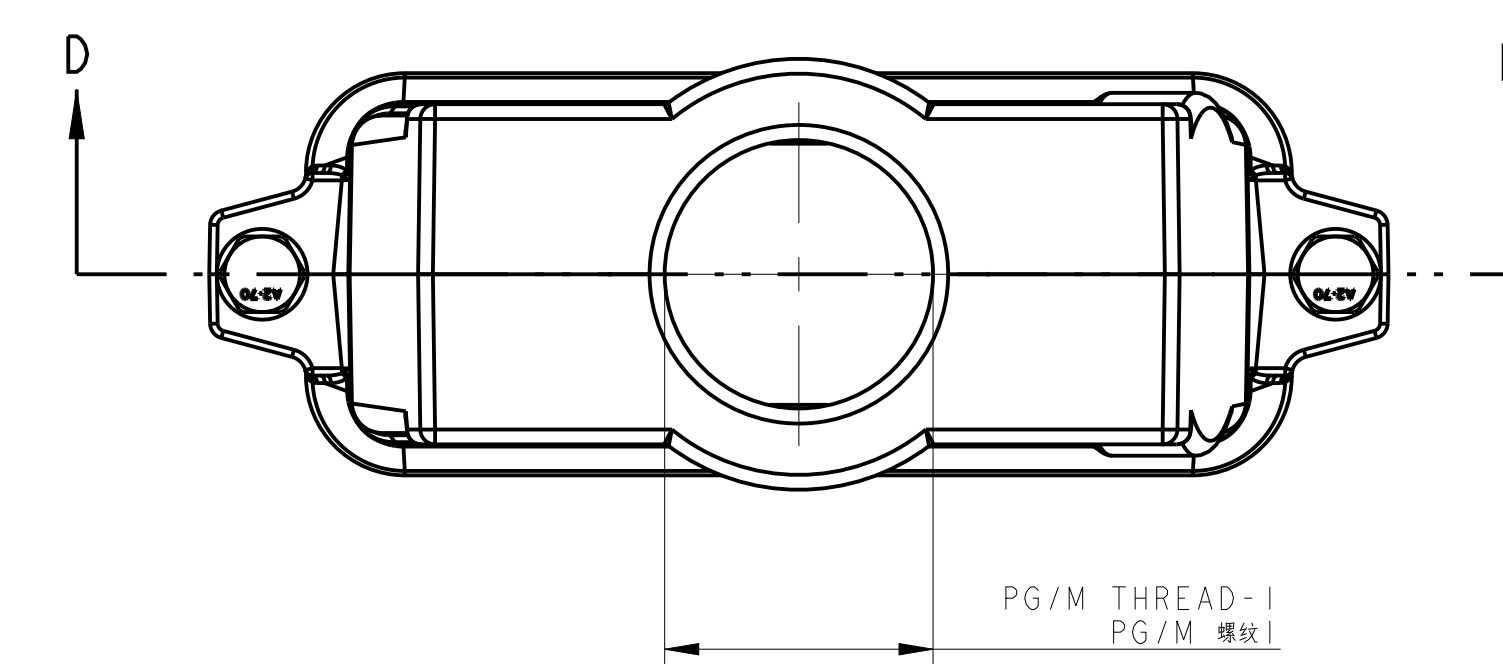
Single PG/M thread & With nonconductive seal, No logo
单PG/M螺纹孔带非导电密封圈, 无Logo



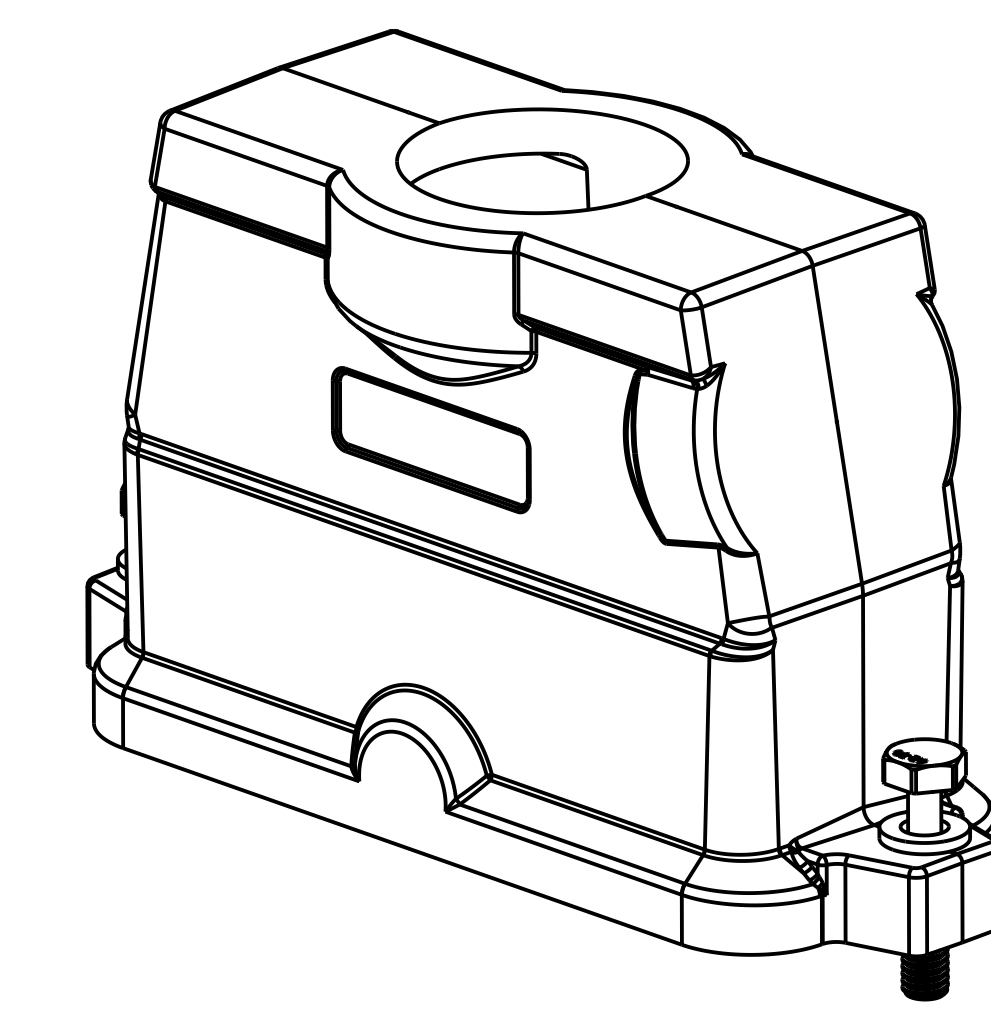
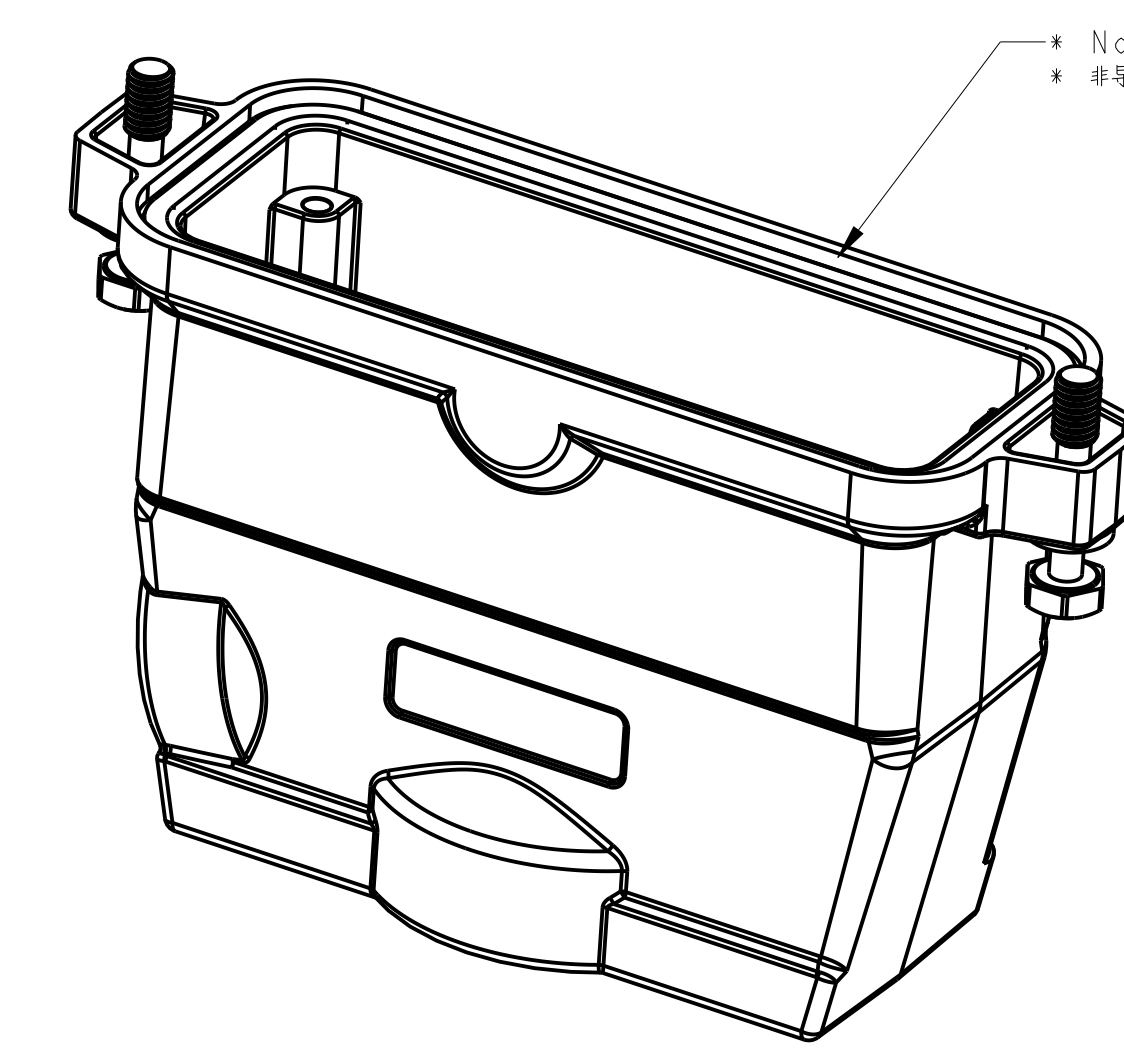
All dimension is same as TYPE 1, except those defined in this TYPE
除了在本类型中定义的尺寸外, 其他尺寸同类型 1

TYPE 3 类型 3

Single PG/M thread & With conductive seal
单PG/M螺纹孔带导电密封圈



All dimension is same as TYPE 1, except those defined in this TYPE
除了在本类型中定义的尺寸外, 其他尺寸同类型 1



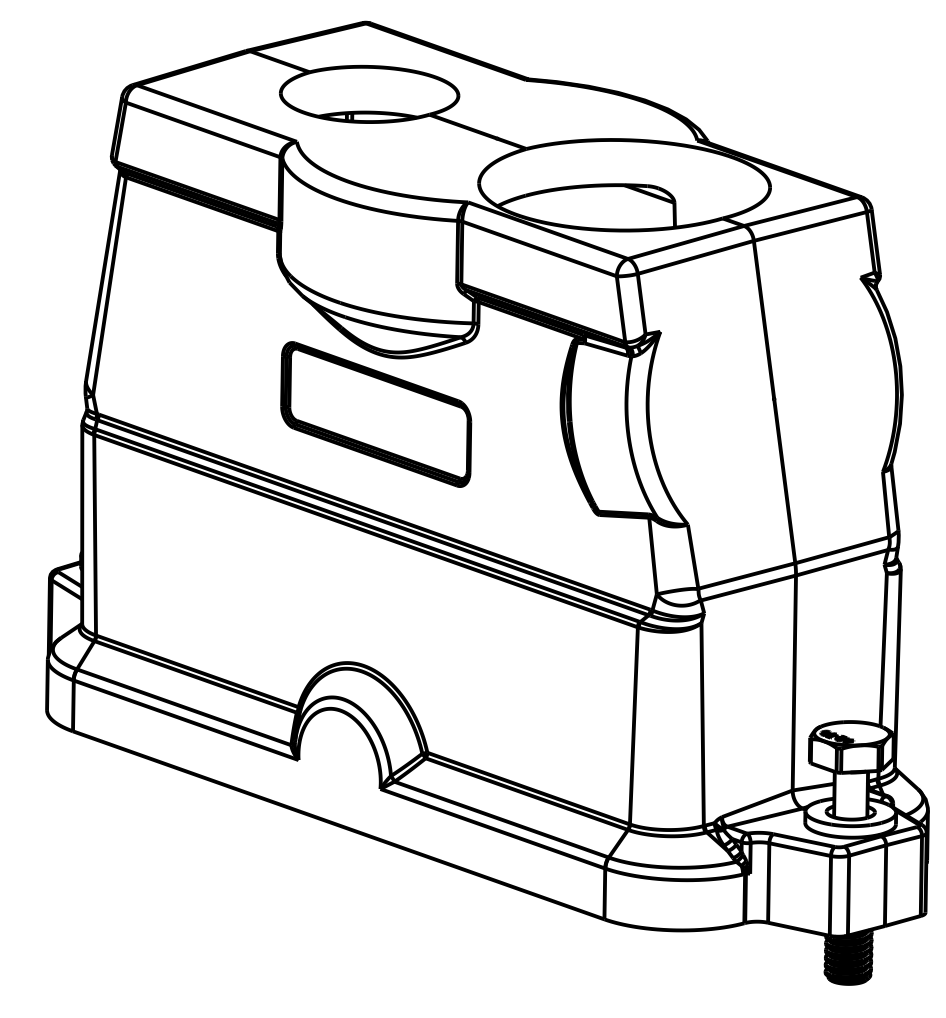
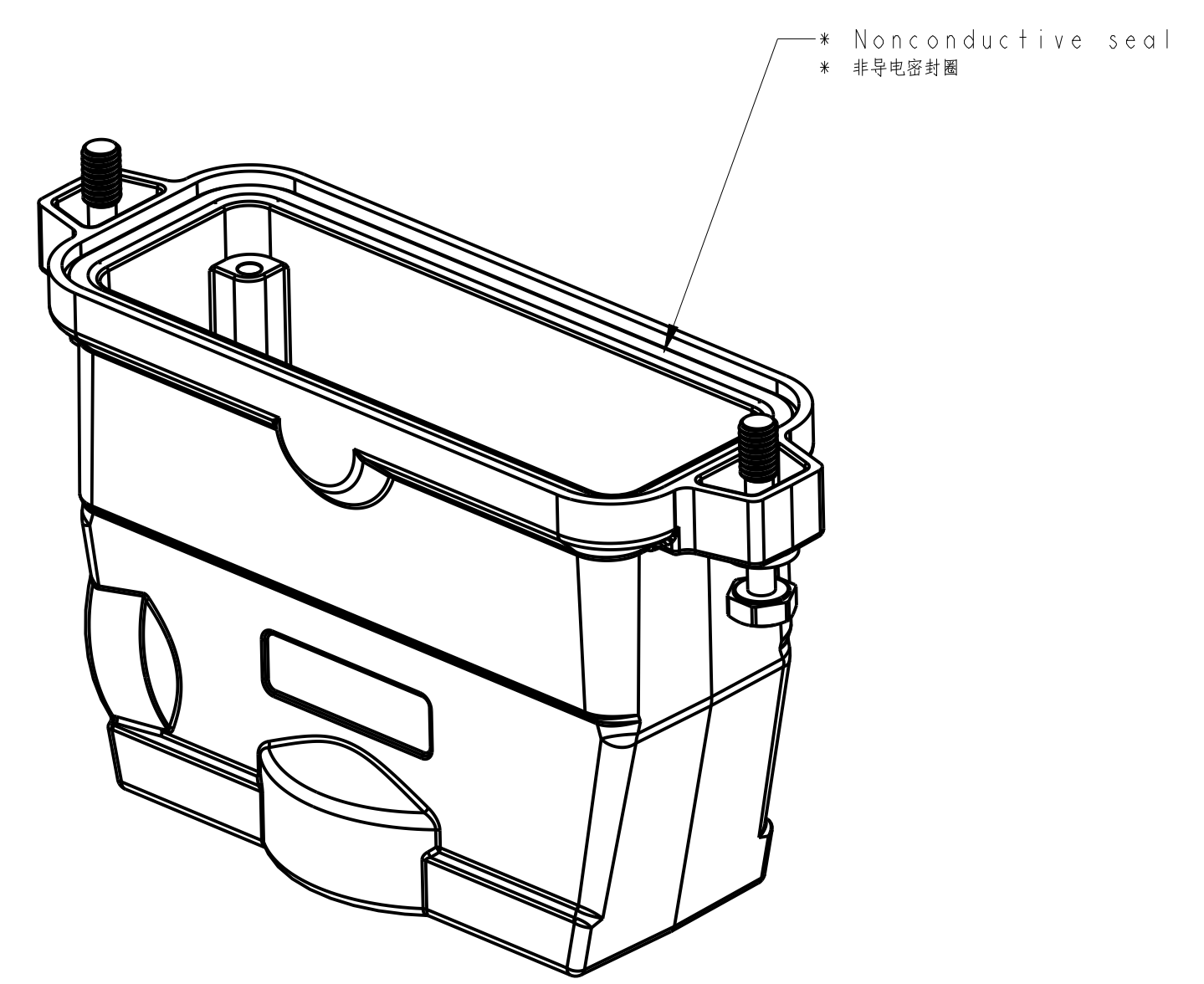
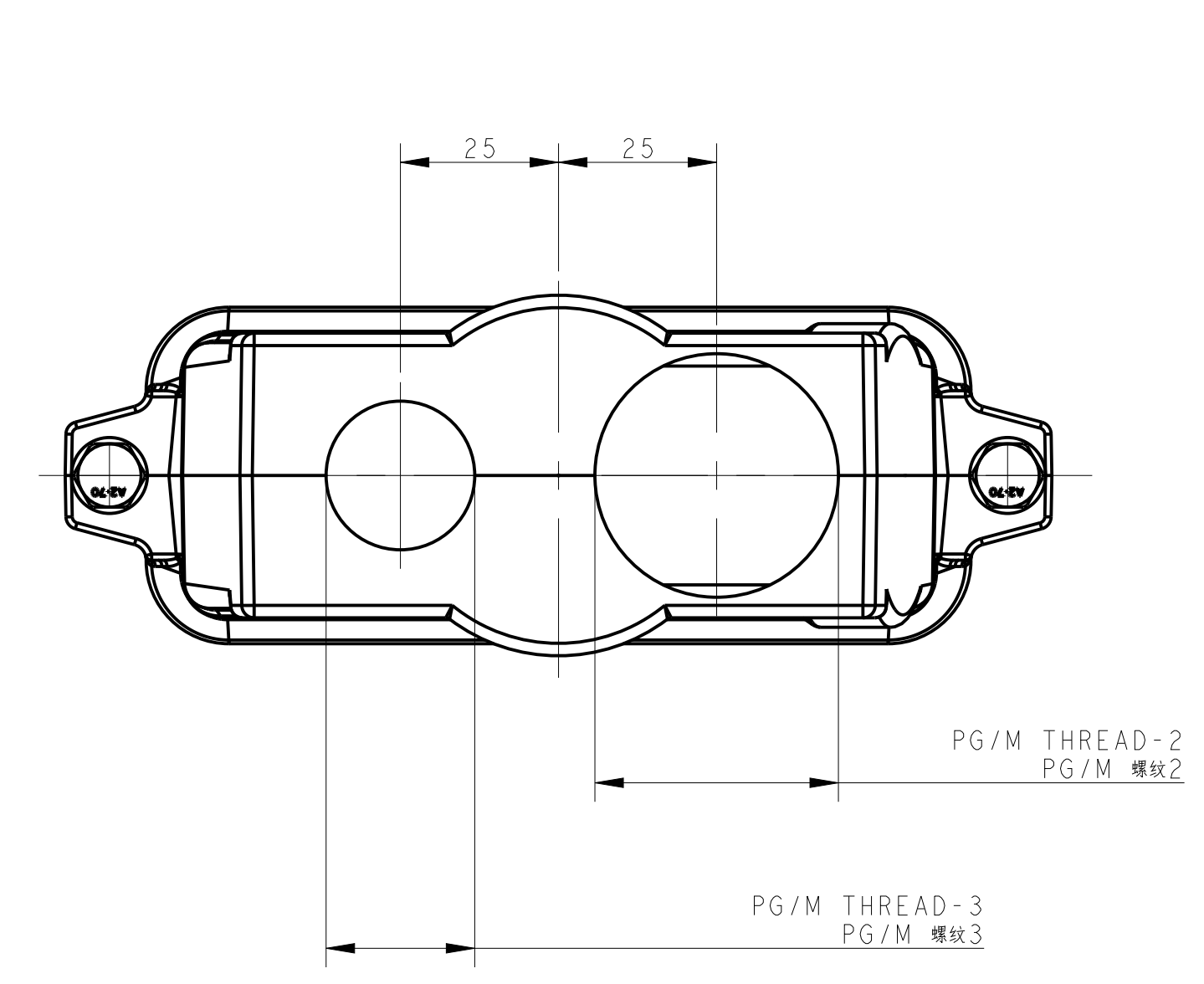
| REVISIONS | | | | |
|-----------|-----------|---------------|----|------|
| REV | DATE | DESCRIPTION | BY | APPD |
| B3 | 16JUN2015 | ECR-18-009564 | CH | CD |
| B4 | 16JUN2015 | ECR-18-017123 | CH | KW |
| B5 | 16JUN2015 | ECR-19-006656 | CH | CD |
| B6 | 16JUN2015 | ECR-19-007133 | CH | BS |

| | | | | | |
|--|--|-----------------|--------|------------------------------|------------------------|
| THIS DRAWING IS A CONTROLLED DOCUMENT. | | DATE: 16JUN2015 | REV: 0 | | TE Connectivity |
| DIMENSIONS: 0 P/LC 1 P/LC 2 P/LC 3 P/LC 4 P/LC | | DATE: 16JUN2015 | REV: 1 | | NAME: H24BPR-TGHC-PG/M |
| MATERIAL: FINISH: CUSTOMER DRAWING | | DATE: 16JUN2015 | REV: 2 | PRODUCT SPEC: 108-137014 | SIZE: A0 |
| | | DATE: 16JUN2015 | REV: 3 | APPLICATION SPEC: 114-137014 | SCALE: 1:1 |
| | | DATE: 16JUN2015 | REV: 4 | WEIGHT: 114-137014 | SHEET: 1 of 2 |
| | | DATE: 16JUN2015 | REV: 5 | ANGLE: 114-137014 | REV: B6 |

| REVISIONS | | | |
|-----------|-------------|----|-------|
| REV. | DATE | BY | APPD. |
| 1 | SEE SHEET 1 | | |

TYPE 5 类型5

Two PG/M threads & With nonconductive seal, No Logo
 两个PG/M螺柱孔及带有非导电密封胶, 无Logo



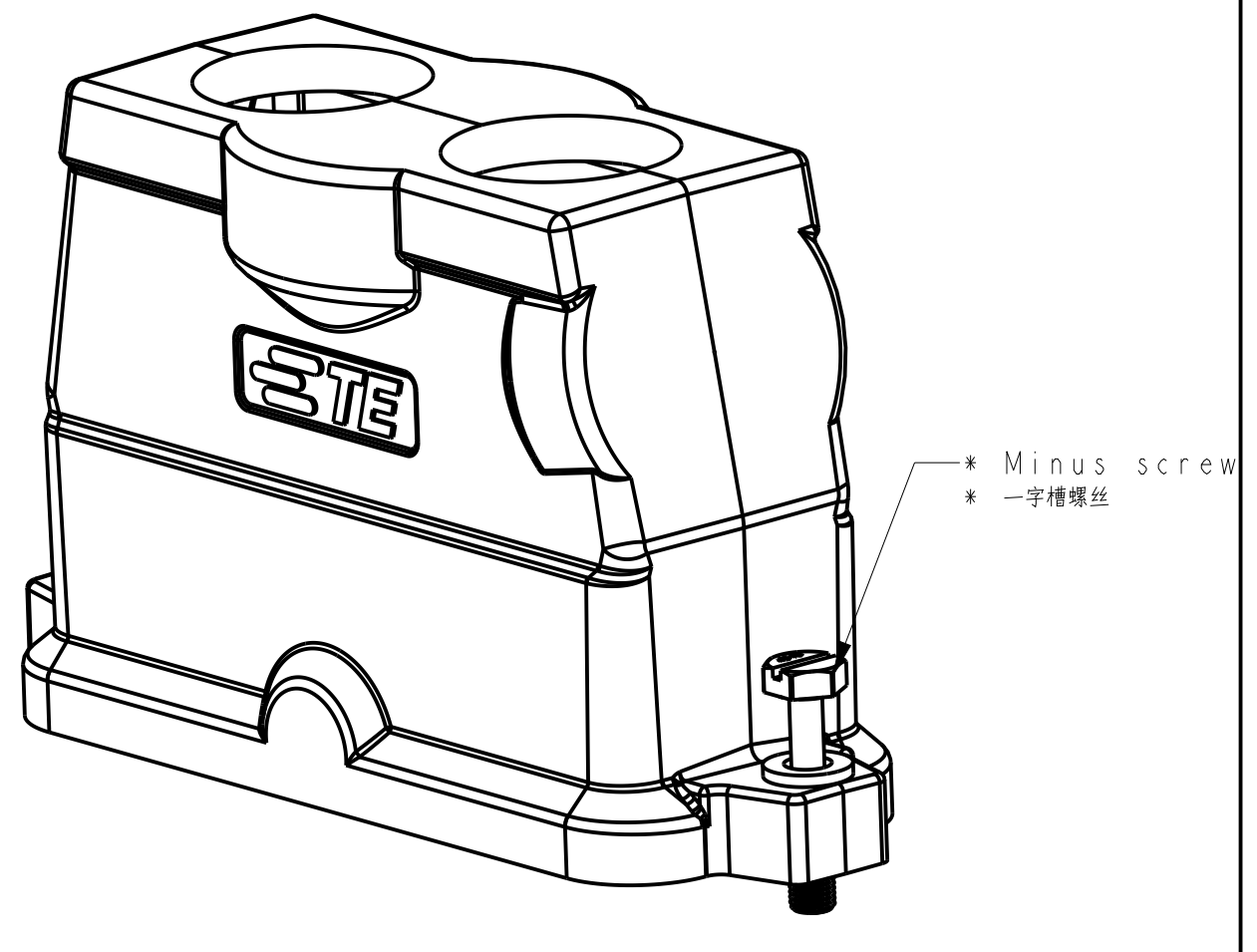
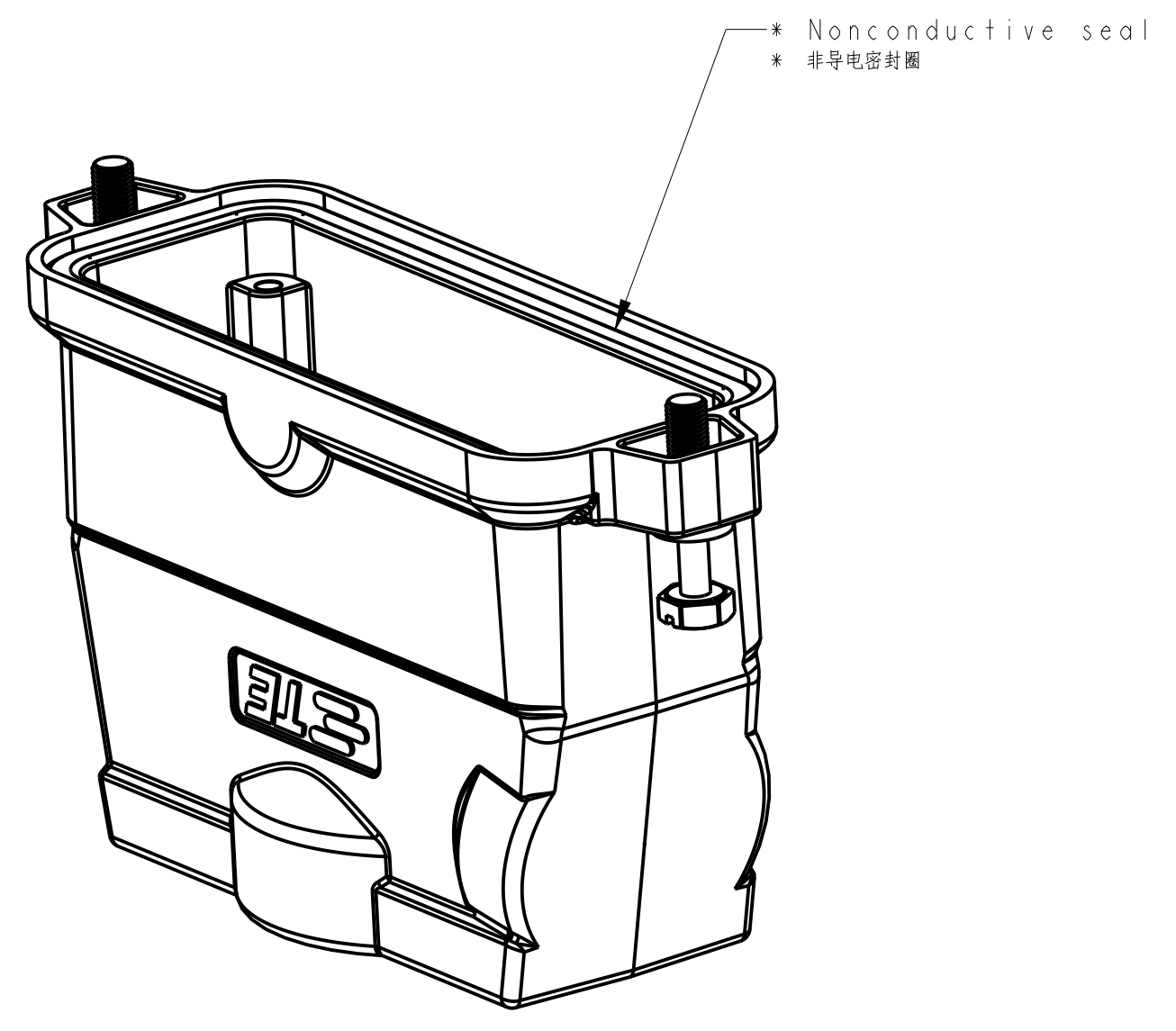
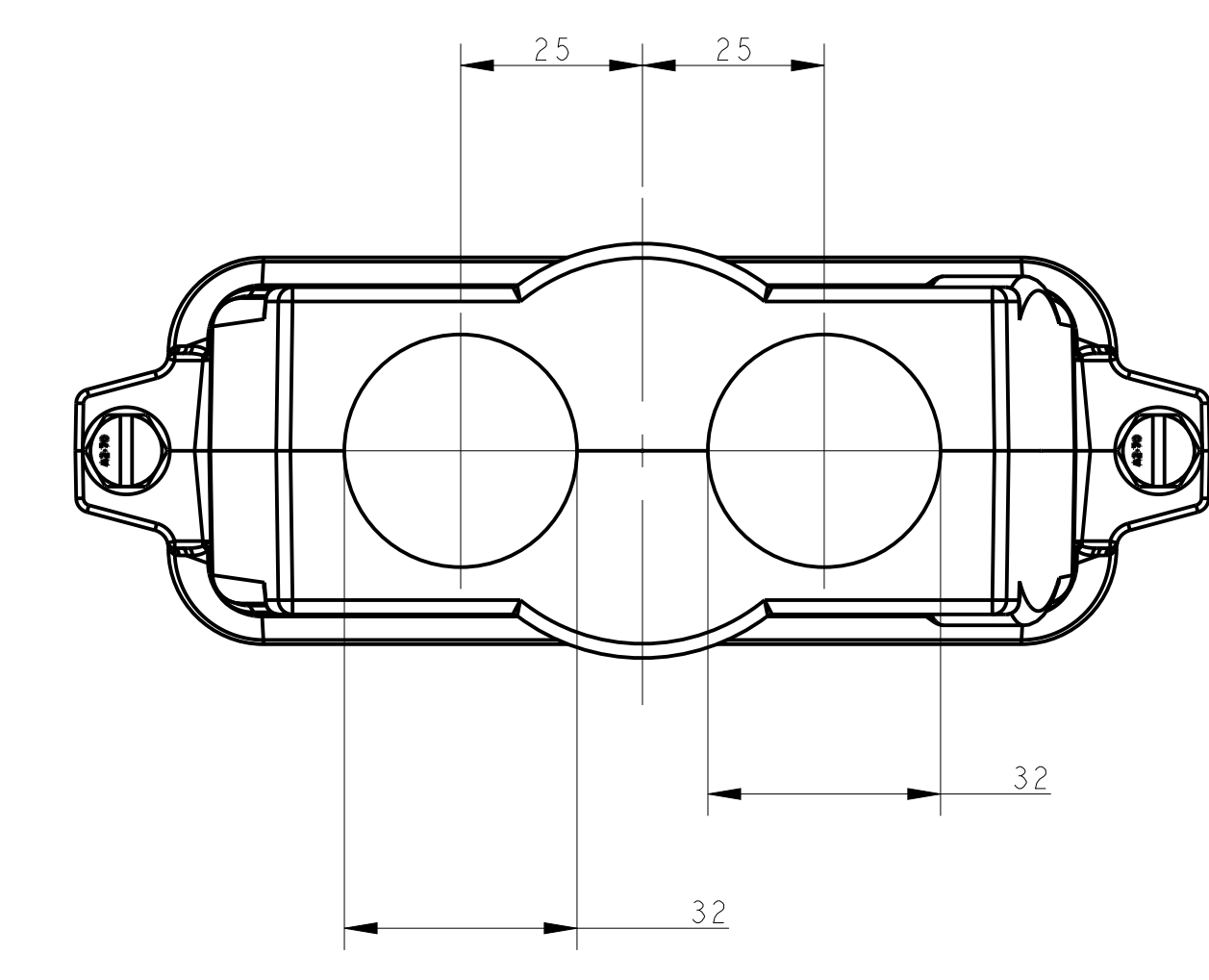
NOTES:
 1. TECHNICAL CHARACTERISTICS:
 HOOD MATERIAL: DIE CAST ALUMINIUM ALLOY
 SURFACE TREATMENT: SEE TABLE
 DEGREE OF PROTECTION: IP68 (MATED)

注:
 1. 技术参数:
 壳体材料: 铝合金
 表面处理: 见表格
 防护等级: IP68 (配合)

All dimension is same as TYPE 1, except those defined in this TYPE
 除了在本类型中定义的尺寸外, 其他尺寸同类型1

TYPE 6 类型6

Two PG/M threads & With nonconductive seal & Minus screw
 两个PG/M螺柱孔及带有非导电密封胶及一字槽螺柱



All dimension is same as TYPE 1, except those defined in this TYPE
 除了在本类型中定义的尺寸外, 其他尺寸同类型1

| TYPE 6 | TYPE 4 | TYPE 5 | TYPE 3 | TYPE 2 | TYPE 1 |
|--|---------------------|--|--------|--------|--------|
| T1922242232-000 POWDER COATED, GREY 表面喷涂, 灰色 | H24BPR-TGHC-2M32 | H24BPR HOOD, CENTER LOCKING, MINUS SCREW, TOP ENTRY 2M32, POWDER COATED, GREY H24BPR上盖, 中翻锁, 一字槽螺柱, 顶出2M32, 灰色粉末喷涂 | M32 | M32 | - |
| T1922242125-001 POWDER COATED, DEEP GREY 表面喷涂, 深灰色 | H24BPR-TGHC-M25 | H24BPR HOOD, CENTER LOCKING, TOP ENTRY M25, POWDER COATED, DEEP GREY, NO LOGO H24BPR上盖, 中翻锁, 顶出M25, 深灰色粉末喷涂, 无LOGO | - | - | M25 |
| T1922242132-001 POWDER COATED, DEEP GREY 表面喷涂, 深灰色 | H24BPR-TGHC-M32 | H24BPR HOOD, CENTER LOCKING, TOP ENTRY M32, POWDER COATED, DEEP GREY, NO LOGO H24BPR上盖, 中翻锁, 顶出M32, 深灰色粉末喷涂, 无LOGO | - | - | M32 |
| T1922242150-001 POWDER COATED, DEEP GREY 表面喷涂, 深灰色 | H24BPR-TGHC-M50 | H24BPR HOOD, CENTER LOCKING, TOP ENTRY M50, POWDER COATED, DEEP GREY, NO LOGO H24BPR上盖, 中翻锁, 顶出M50, 深灰色粉末喷涂, 无LOGO | - | - | M50 |
| T1922242140-001 POWDER COATED, DEEP GREY 表面喷涂, 深灰色 | H24BPR-TGHC-M40 | H24BPR HOOD, CENTER LOCKING, TOP ENTRY M40, POWDER COATED, DEEP GREY, NO LOGO H24BPR上盖, 中翻锁, 顶出M40, 深灰色粉末喷涂, 无LOGO | - | - | M40 |
| T1922244025-001 POWDER COATED, DEEP GREY 表面喷涂, 深灰色 | H24BPR-TGHC-M40/M25 | H24BPR HOOD, CENTER LOCKING, TOP ENTRY M40/M25, POWDER COATED, DEEP GREY, NO LOGO H24BPR上盖, 中翻锁, 顶出M40/M25, 深灰色粉末喷涂, 无LOGO | M25 | M40 | - |
| T1922241129-001 POWDER COATED, SILVER WHITE 表面喷涂, 银白色 | H24BPR-TGHC-PG29 | H24BPR HOOD, CENTER LOCKING, TOP ENTRY PG29, POWDER COATED, SILVER WHITE, CONDUCTIVE, THREAD HOLE WITH STEP H24BPR上盖, 中翻锁, 顶出PG29, 银白色粉末喷涂, 导电孔, 螺柱孔带台阶 | - | - | PG29 |
| T1922240129-001 POWDER COATED, BLACK 表面喷涂, 黑色 | H24BPR-TGHC-PG29 | H24BPR HOOD, CENTER LOCKING, TOP ENTRY PG29, POWDER COATED, BLACK, CONDUCTIVE, THREAD HOLE WITH STEP H24BPR上盖, 中翻锁, 顶出PG29, 黑色粉末喷涂, 导电孔, 螺柱孔带台阶 | - | - | PG29 |
| T19222411221-000 POWDER COATED, SILVER WHITE 表面喷涂, 银白色 | H24BPR-TGHC-2PG21 | H24BPR HOOD, CENTER LOCKING, TOP ENTRY 2PG21, POWDER COATED, SILVER WHITE H24BPR上盖, 中翻锁, 顶出2PG21, 银白色粉末喷涂 | PG21 | PG21 | - |
| T1922241232-000 POWDER COATED, SILVER WHITE 表面喷涂, 银白色 | H24BPR-TGHC-M32/M25 | H24BPR HOOD, CENTER LOCKING, TOP ENTRY M32/M25, POWDER COATED, SILVER WHITE H24BPR上盖, 中翻锁, 顶出M32/M25, 银白色粉末喷涂 | M25 | M32 | - |
| T1922244025-000 POWDER COATED, SILVER WHITE 表面喷涂, 银白色 | H24BPR-TGHC-M40/M25 | H24BPR HOOD, CENTER LOCKING, TOP ENTRY M40/M25, POWDER COATED, SILVER WHITE H24BPR上盖, 中翻锁, 顶出M40/M25, 银白色粉末喷涂 | M25 | M40 | - |
| T1922241140-000 POWDER COATED, SILVER WHITE 表面喷涂, 银白色 | H24BPR-TGHC-M40 | H24BPR HOOD, CENTER LOCKING, TOP ENTRY M40, POWDER COATED, SILVER WHITE H24BPR上盖, 中翻锁, 顶出M40, 银白色粉末喷涂 | - | - | M40 |
| T1922241136-000 POWDER COATED, SILVER WHITE 表面喷涂, 银白色 | H24BPR-TGHC-PG36 | H24BPR HOOD, CENTER LOCKING, TOP ENTRY PG36, POWDER COATED, SILVER WHITE H24BPR上盖, 中翻锁, 顶出PG36, 银白色粉末喷涂 | - | - | PG36 |
| T1922241132-000 POWDER COATED, SILVER WHITE 表面喷涂, 银白色 | H24BPR-TGHC-M32 | H24BPR HOOD, CENTER LOCKING, TOP ENTRY M32, POWDER COATED, SILVER WHITE H24BPR上盖, 中翻锁, 顶出M32, 银白色粉末喷涂 | - | - | M32 |
| T1922241129-000 POWDER COATED, SILVER WHITE 表面喷涂, 银白色 | H24BPR-TGHC-PG29 | H24BPR HOOD, CENTER LOCKING, TOP ENTRY PG29, POWDER COATED, SILVER WHITE H24BPR上盖, 中翻锁, 顶出PG29, 银白色粉末喷涂 | - | - | PG29 |
| T1922241125-000 POWDER COATED, SILVER WHITE 表面喷涂, 银白色 | H24BPR-TGHC-M25 | H24BPR HOOD, CENTER LOCKING, TOP ENTRY M25, POWDER COATED, SILVER WHITE H24BPR上盖, 中翻锁, 顶出M25, 银白色粉末喷涂 | - | - | M25 |
| T1922241121-000 POWDER COATED, SILVER WHITE 表面喷涂, 银白色 | H24BPR-TGHC-PG21 | H24BPR HOOD, CENTER LOCKING, TOP ENTRY PG21, POWDER COATED, SILVER WHITE H24BPR上盖, 中翻锁, 顶出PG21, 银白色粉末喷涂 | - | - | PG21 |
| T1922240140-000 POWDER COATED, BLACK 表面喷涂, 黑色 | H24BPR-TGHC-M40 | H24BPR HOOD, CENTER LOCKING, TOP ENTRY M40, POWDER COATED, BLACK H24BPR上盖, 中翻锁, 顶出M40, 黑色粉末喷涂 | - | - | M40 |
| T1922240136-000 POWDER COATED, BLACK 表面喷涂, 黑色 | H24BPR-TGHC-PG36 | H24BPR HOOD, CENTER LOCKING, TOP ENTRY PG36, POWDER COATED, BLACK H24BPR上盖, 中翻锁, 顶出PG36, 黑色粉末喷涂 | - | - | PG36 |
| T1922240132-000 POWDER COATED, BLACK 表面喷涂, 黑色 | H24BPR-TGHC-M32 | H24BPR HOOD, CENTER LOCKING, TOP ENTRY M32, POWDER COATED, BLACK H24BPR上盖, 中翻锁, 顶出M32, 黑色粉末喷涂 | - | - | M32 |
| T1922240129-000 POWDER COATED, BLACK 表面喷涂, 黑色 | H24BPR-TGHC-PG29 | H24BPR HOOD, CENTER LOCKING, TOP ENTRY PG29, POWDER COATED, BLACK H24BPR上盖, 中翻锁, 顶出PG29, 黑色粉末喷涂 | - | - | PG29 |
| T1922240125-000 POWDER COATED, BLACK 表面喷涂, 黑色 | H24BPR-TGHC-M25 | H24BPR HOOD, CENTER LOCKING, TOP ENTRY M25, POWDER COATED, BLACK H24BPR上盖, 中翻锁, 顶出M25, 黑色粉末喷涂 | - | - | M25 |
| T1922240121-000 POWDER COATED, BLACK 表面喷涂, 黑色 | H24BPR-TGHC-PG21 | H24BPR HOOD, CENTER LOCKING, TOP ENTRY PG21, POWDER COATED, BLACK H24BPR上盖, 中翻锁, 顶出PG21, 黑色粉末喷涂 | - | - | PG21 |

THIS DRAWING IS A CONTROLLED DOCUMENT. 此图是受控文件。

DATE: 2016 JUN 20
 CHK: C.H.L. WANG
 APPD: Y. LANG, Y. LANG

PRODUCT SPEC: 108-137014
 APPLICATION SPEC: 114-137014

SCALE: 1:1
 SHEET: 2 of 2
 REV: B6

STE TE Connectivity
 H24BPR-TGHC-PG/M

Компания «Life Electronics» занимается поставками электронных компонентов импортного и отечественного производства от производителей и со складов крупных дистрибьюторов Европы, Америки и Азии.

С конца 2013 года компания активно расширяет линейку поставок компонентов по направлению коаксиальный кабель, кварцевые генераторы и конденсаторы (керамические, пленочные, электролитические), за счёт заключения дистрибьюторских договоров

Мы предлагаем:

- Конкурентоспособные цены и скидки постоянным клиентам.
- Специальные условия для постоянных клиентов.
- Подбор аналогов.
- Поставку компонентов в любых объемах, удовлетворяющих вашим потребностям.
- Приемлемые сроки поставки, возможна ускоренная поставка.
- Доставку товара в любую точку России и стран СНГ.
- Комплексную поставку.
- Работу по проектам и поставку образцов.
- Формирование склада под заказчика.
- Сертификаты соответствия на поставляемую продукцию (по желанию клиента).
- Тестирование поставляемой продукции.
- Поставку компонентов, требующих военную и космическую приемку.
- Входной контроль качества.
- Наличие сертификата ISO.

В составе нашей компании организован Конструкторский отдел, призванный помогать разработчикам, и инженерам.

Конструкторский отдел помогает осуществить:

- Регистрацию проекта у производителя компонентов.
- Техническую поддержку проекта.
- Защиту от снятия компонента с производства.
- Оценку стоимости проекта по компонентам.
- Изготовление тестовой платы монтаж и пусконаладочные работы.



Тел: +7 (812) 336 43 04 (многоканальный)

Email: org@lifeelectronics.ru